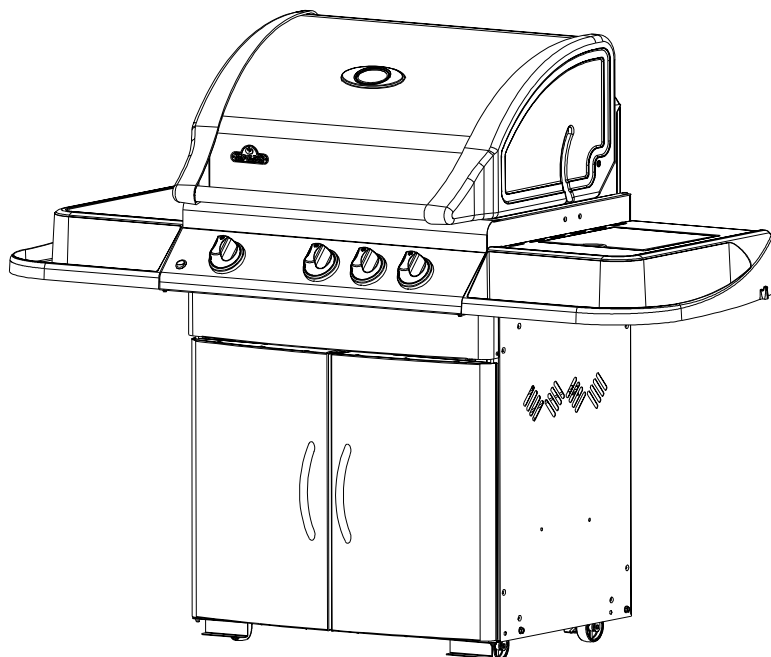


APPLY SERIAL NUMBER LABEL FROM CARTON



Serial No. XXXXXX000000
MODEL NO.



ASSEMBLY AND OPERATING INSTRUCTIONS
MIRAGE 485
OUTDOOR STAINLESS STEEL GAS GRILL

**NOTICE TO INSTALLER:
LEAVE THESE INSTRUCTIONS
WITH THE GRILL OWNER FOR
FUTURE REFERENCE**

 **DANGER**

IF YOU SMELL GAS:

- Shut off gas to the appliance.
- Extinguish any open flame.
- Open lid.
- If odor continues, keep away from the appliance and immediately call your gas supplier or your fire department

**DO NOT TRY TO LIGHT THIS APPLIANCE WITHOUT READING LIGHTING INSTRUCTIONS
SECTION OF THIS MANUAL**



NAPOLEON APPLIANCE CORPORATION,
214 BAYVIEW DR., BARRIE, ONTARIO, CANADA L4N 4Y8 PHONE: (705)726-4278
FAX: (705)725-2564 EMAIL: care@nac.on.ca WEB SITE: www.napoleongrills.com

THANK YOU FOR CHOOSING NAPOLEON

NAPOLEON products are designed with superior components and materials, and are assembled by trained craftsmen who take great pride in their work. The burner and valve assembly are leak tested and test-fired at a quality test station. This grill has been thoroughly inspected by a qualified technician before packaging and shipping to ensure that you, the customer, receive the quality product you expect from NAPOLEON.

We at Napoleon are dedicated to you, "our valued customer". It is our goal to provide you with the necessary tools to make this an unforgettable grilling experience. This manual is provided to assist you in assuring your new grill is assembled, installed, maintained and cared for properly. It is important to read and understand this entire manual before operating your new grill to ensure you fully understand all safety precautions and features your grill has to offer. By carefully following the instructions inside this manual you will enjoy years of trouble free grilling. For whatever reason if we fail to meet your expectations please call our customer service department at 1-866-820-8686 between 9 AM and 5 PM (eastern standard time) or visit our website.



NAPOLEON GAS GRILL PRESIDENT'S LIMITED LIFETIME WARRANTY

NAPOLEON warrants the following materials and workmanship in your new NAPOLEON gas grill against defects for as long as you own the gas grill. This covers: aluminum castings (excluding paint), LUXIDIO® trays, stainless steel burners, stainless steel lid inserts, and lid handles. Subject to the following conditions. During the first five years NAPOLEON will provide replacement parts at our option free of charge. From the sixth year to lifetime NAPOLEON will provide replacement parts at 50% of the current retail price.

Components such as stainless steel sear plates, stainless steel cooking grids, valves with ignition system, temperature gauges, knobs, ceramic infrared burners are covered and Napoleon will provide parts free of charge during the first two years of the limited warranty.

Components such as regulators, casters, warming racks, hoses and connectors, I-GLOW™, fasteners and accessories are covered and NAPOLEON will provide parts free of charge during the first year of the limited warranty.

NAPOLEON shall not be liable for any transportation charges, labour costs or export duties.

CONDITIONS AND LIMITATIONS

"NAPOLEON warrants its products against manufacturing defects to the original purchaser only (ie., the individual or legal entity (registered customer) whose name appears on the warranty registration card filed with NAPOLEON), provided that the purchase was made through an authorized NAPOLEON dealer and is subject to the following conditions and limitations:"

This factory warranty is non-transferable and may not be extended what-so-ever by any of our representatives. The gas grill must be installed by a licenced, authorized service technician or contractor. Installation must be done in accordance with the installation instructions included with the product and all local and national building and fire codes.

This limited warranty does not cover damages caused by misuse, lack of maintenance, grease fires, hostile environments, accident, alterations, abuse or neglect and parts installed from other manufacturers will nullify this warranty.

This limited warranty further does not cover any scratches, dents, painted finishes, corrosion or discolouring by heat, abrasive and chemical cleaners, nor chipping on porcelain enamel parts, nor any components used in the installation of the gas grill.

Should deterioration of parts occur to the degree of non-performance within the duration of the warranted coverage, a replacement part will be provided.

In the first year only, this warranty extends to the replacement of warranted parts which are defective in material or workmanship provided that the product has been operated in accordance with the operation instructions and under normal conditions.

After the first year, with respect to this President's Limited Lifetime Warranty NAPOLEON may, at its discretion, fully discharge all obligations with respect to this warranty by refunding to the original warranted purchaser the wholesale price of any warranted but defective part(s).

NAPOLEON will not be responsible for the installation, labour or any other costs or expenses related to the re-installation of a warranted part, and such expenses are not covered by this warranty.

Notwithstanding any provision contained in this President's Limited Lifetime Warranty NAPOLEON's responsibility under this warranty is defined as above and it shall not in any event extend to any incidental, consequential, or indirect damages.

This warranty defines the obligation and liability of NAPOLEON with respect to the NAPOLEON gas grill and any other warranties expressed or implied with respect to this product, its components or accessories are excluded.

NAPOLEON neither assumes, nor authorizes any third party to assume, on its behalf, any other liabilities with respect to the sale of this product. NAPOLEON will not be responsible for: over firing, blow outs caused by environmental conditions such as strong winds, or inadequate ventilation.

Any damages to the gas grill due to weather damage, hail, rough handling, damaging chemicals or cleaners will not be the responsibility of NAPOLEON.

The bill of sale or copy will be required together with a serial number and a model number when making any warranty claims from NAPOLEON. The warranty registration card must be returned within fourteen days to register the warranty or you can register on-line at www.napoleongrills.com.

NAPOLEON reserves the right to have its representative inspect any product or part prior to honouring any warranty claim.

NAPOLEON shall not be liable for any transportation charges, labour costs, or export duties.

SAFETY PRECAUTIONS



WARNING

Do not store or use gasoline or other flammable liquids or vapor in the vicinity of this or any other appliance. An L.P. cylinder not connected for use must not be stored in the vicinity of this or any other appliance. Keep area clear and free from combustible materials.



WARNING

Failure to follow these instructions could result in property damage, personal injury or death. Read and follow all warnings and instructions in this manual prior to operating grill.

SAFE OPERATING PRACTICES



WARNING



DANGER: READ ALL INSTRUCTIONS CAREFULLY BEFORE OPERATING GRILL. FAILURE TO FOLLOW THESE INSTRUCTIONS EXACTLY COULD RESULT IN A FIRE CAUSING SERIOUS INJURY OR DEATH.

- Read the entire instruction manual before operating grill.
- Under no circumstance should this gas grill be modified.
- Follow lighting instructions carefully when operating grill.
- Gas must be turned off at the propane cylinder or at the natural gas supply valve when the gas grill is not in use.
- Keep children and pets away from hot grill, DO NOT allow children to climb inside cabinet.
- Do not leave the grill unattended while in use.
- Do not move grill when hot or operating.
- This gas grill must not be installed in or on recreational vehicles and/or boats.
- This gas grill must only be stored outdoors in a well-ventilated area and must not be used inside a building, garage or any enclosed area.
- Maintain proper clearance to combustibles (16" to rear of unit 7" to sides). Additional clearance (24") is recommended near vinyl siding or large panes of glass.
- At all times keep the ventilation openings of the cylinder enclosure free and clear from debris.
- Do not locate unit under combustible construction.
- Do not locate in windy settings. High winds adversely affect the cooking performance of the gas grill.
- When the gas grill is stored indoors, the propane cylinder must be disconnected from the grill and stored outdoors in a well ventilated area, disconnected cylinders must not be stored in a building, garage or other enclosed area.
- Inspect the gas line hose before each use. If there is evidence of excessive abrasion or wear, it must be replaced before using the gas grill, with a replacement hose assembly specified by the manufacturer.
- Never store a spare LP gas cylinder under or near this grill.
- Never fill the cylinder beyond 80 % full.
- Do not attempt to use a cylinder which is not equipped with a QCC1 type connection.
- Leak test all connections before first use, even if the grill was purchased fully assembled, annually or whenever any gas component has been replaced.
- Never use natural gas in a unit designed for liquid propane gas.
- Never use lighter fluid in a gas grill.
- Use charcoal briquettes only with a Napoleon charcoal tray designed for this unit.
- Burner controls must be off when turning supply cylinder on.
- Do not light burner with lid closed.
- Do not operate rear burner with main burner operating.
- The lid is to be closed during the preheat period.
- Do not route hose underneath drip pan-proper hose clearance to bottom of unit must be maintained.
- Clean grease tray and sear plates regularly to avoid build-up which may lead to grease fires.
- Ensure sear plates are positioned properly according to sear plate installation instructions.
- Do not use side shelves to store lighter, matches or any other combustibles.
- Keep gas line away from heated surfaces
- Keep electrical supply cords away from water or heated surfaces.
- Inspect infrared burner venturi tube for spider webs and other obstructions periodically. Clean the tubes completely if you find any such obstructions.
- The outdoor cooking gas grill and its individual shutoff valve must be disconnected from the gas supply piping system during any pressure testing of that system at test pressures in excess of 0.5psi (3.5kPa).
- The outdoor cooking gas grill must be isolated from the gas supply piping system by closing its individual manual shutoff valve during any pressure testing of the gas supply piping system at test pressures equal to or less than 1/2 psi (3.5 kPa).

CYLINDER SPECIFICATIONS/GAS HOOK UP



CAUTION

This gas barbecue is certified under Canadian and American national standards, CAN/CSA-1.6-2005 and ANSI Z21.58 -2005 respectively for outdoor gas grills and should be installed to conform with local codes. In absence of local codes, install to the current CAN/CGA-B149.1 Propane Installation Code in Canada or to the National Fuel Gas Code, NFPA54/ANSI Z223.1 in the United States.

If a rotisserie motor is used, it must be electrically grounded in accordance with local codes or, in absence of local codes, with the current CSA C22.1 Canadian electrical code in Canada or the National Electrical Code, ANSI/NFPA 70 in the United States.

CALIFORNIA PROPOSITION 65: The burning of gas fuel creates by-products, some of which are on the list as substances known by the State of California to cause cancer or reproductive harm. When cooking with gas, always ensure adequate ventilation to the unit, to minimize exposure to such substances.

PROPANE CYLINDER SPECIFICATIONS: A dented or rusty cylinder may be hazardous and should be checked by your propane supplier. Never use a cylinder with a damaged valve. Use only a propane supply cylinder constructed and marked in accordance with the specifications for LP-gas cylinders of the Canadian Transport Commission (CTC) or the US Department of Transportation (DOT). This appliance has been designed for use with a 20lb. (9.1 kg) size propane cylinder only (not supplied).

The propane cylinder must be provided with a shut-off valve terminating in a propane cylinder valve type QCC1, and a safety relief device having direct communication with the vapour space of the cylinder. The cylinder supply system must be arranged for vapour withdrawal and the cylinder shall include a collar to protect the cylinder valve. The cylinder shall incorporate an OPD (overfill protection device).

CYLINDER CONNECTION: Ensure that the gas regulator hose is kink free. Remove the cap or plug from the cylinder fuel valve. Insert the black QCC1 regulator nipple onto the QCC1 fuel valve. Hand tighten clockwise. Do not use tools. Leak test all joints prior to using the barbecue. A leak test must be performed annually, and each time a cylinder is hooked up, or if a part of the gas system is replaced.

PROPANE CYLINDER INSTALLATION:

Check that the cylinder valve is closed by turning the knob clockwise.

Check that the grill's burner knobs are in the off position.

Open cabinet doors.

Place the cylinder into the tank holder in bottom of shelf.

Position the cylinder so that the valve faces toward the front of the unit.

Attach regulator hose.

IMPORTANT: Use only the pressure regulator and hose assembly provided with this barbecue. Replacement pressure regulators and hose assemblies must be specified by the manufacturer. Do not store propane cylinder or spare cylinder on the shelf beneath the barbecue. **The regulator must be attached so that no part of the hose touches the underside of the grill or dripan. A fire will result if these directions are ignored.**

The regulator supplies a pressure of 11 inches water column to the gas grill and has a QCC1 type fitting. Cylinders to be used with this unit must be supplied with QCC1 cylinder valve. A QCC1 cylinder has a positive seating connection, which will not allow gas flow until a positive seal has been achieved. It is also equipped with an excess flow device. In order to attain full flow to the barbecue, **the valves must be in the off position when the cylinder valve is turned on.**

NATURAL GAS HOOK-UP: This natural gas grill is supplied with a 10ft supply hose (complete with a quick disconnect) designed for natural gas and certified for outdoor use. The gas grill is designed to operate at an inlet pressure of 7 inches water column. Piping and valves upstream of the quick disconnect are not supplied.

The quick disconnect must not be installed in an upward direction and a readily accessible manual shut-off valve must be installed upstream of, and as close to, the quick disconnect as is feasible. The flared end of the hose must be connected to the fitting on the end of the flex tube as illustrated in the *Natural Gas Hose Attachment* diagram. Tighten using two wrenches. (*Do not use thread sealer/pipe dope.*) **These connections must be made by a licensed gas installer.** Leak test all joints prior to using the gas grill.



IMPORTANT

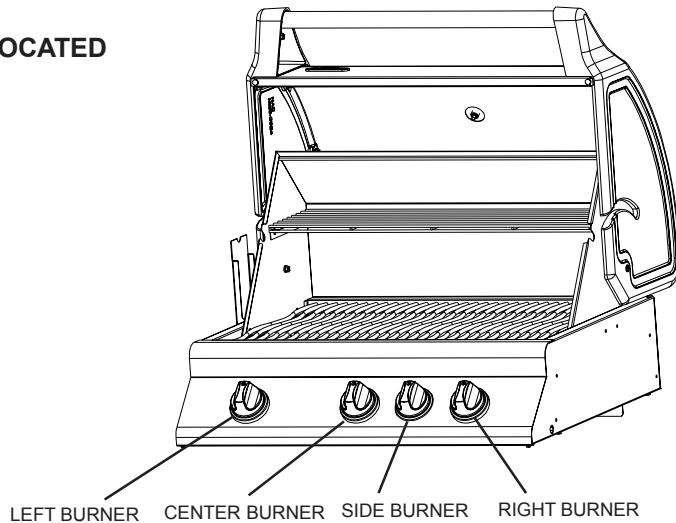
- The installation must be performed by a licensed gas fitter, and all connections must be leak tested before operating the grill.
- Do not route hose underneath drip pan.
- Do not route hose between space in bottom shelf and back panel.
- Do not route hose over top of back panel.
- Ensure all hose connections are tightened using two wrenches. Do not use teflon tape or pipe dope on any hose connection.
- Ensure the hose does not contact any high temperature surfaces, or it may melt and leak causing a fire.
- Do not use enclosure to store excess hose, as there is a greater chance of the hose contacting a hot surface, it may melt and leak causing a fire.
- Leak test all the connections using a soap and water solution, as per the leak testing instructions found in the this manual.

LIGHTING INSTRUCTIONS

 LIGHTING INSTRUCTIONS ARE ALSO LOCATED UNDER SIDE BURNER LID.

OPEN LID.

ENSURING BURNER CONTROLS ARE IN THE OFF POSITION, TURN ON THE GAS SUPPLY VALVE.



MAIN BURNER LIGHTING

SIDE BURNER LIGHTING

1. PUSH AND TURN ANY MAIN BURNER KNOB SLOWLY TO THE HIGH POSITION. THIS ACTION WILL IGNITE THE PILOT FLAME WHICH WILL IN TURN LIGHT THE SELECTED BURNER. IF THE PILOT LIGHTS, CONTINUE TO PUSH DOWN ON THE CONTROL KNOB UNTIL THE BURNER LIGHTS AND THEN RELEASE.

1. OPEN SIDE BURNER COVER.

2. PUSH AND TURN THE SIDE BURNER CONTROL KNOB SLOWLY TO THE HIGH POSITION. THIS ACTION WILL IGNITE THE SIDE BURNER

2. IF THE PILOT DOES NOT IGNITE, THEN IMMEDIATELY TURN THE CONTROL KNOB BACK TO THE OFF POSITION AND REPEAT STEP 1 SEVERAL TIMES.

3. IF THE BURNER DOES NOT IGNITE, THEN IMMEDIATELY TURN THE CONTROL KNOB BACK TO THE OFF POSITION AND REPEAT STEP 2 SEVERAL TIMES.

3. IF THE PILOT AND BURNER WILL NOT IGNITE WITHIN 5 SECONDS, TURN THE CONTROL KNOB TO THE OFF POSITION AND WAIT 5 MINUTES FOR ANY EXCESS GAS TO DISSIPATE. EITHER REPEAT STEPS 1 AND 2 OR LIGHT WITH A MATCH.

4. IF THE BURNER WILL NOT IGNITE WITHIN 5 SECONDS, TURN THE CONTROL KNOB TO THE OFF POSITION AND WAIT 5 MINUTES FOR ANY EXCESS GAS TO DISSIPATE. EITHER REPEAT STEPS 2 AND 3 OR LIGHT WITH A MATCH.



The propane cylinder is equipped with an excess flow device. Unless all burners are turned off prior to turning the cylinder on, only small flames will be achievable.



If lighting the unit with a match, clip the match into the supplied lighting rod. Hold the lit match down through the grill and sear plate while turning the corresponding burner valve to high.



OPERATING THE GRILL

BURN - IN PROCEDURE

When lit for the first time, the gas grill will emit a slight odour. This is a normal temporary condition caused by the "burn-in" of internal paints and lubricants used in the manufacturing process and will not occur again. Simply run the main burners on high for approximately ½ hour with the lid closed.

MAIN BURNER USE:

When searing foods, preheating is recommended by operating all main burners in the high position with the lid closed for approximately 15 minutes. Food cooked for a short period of time (fish, vegetables) may be grilled with the lid open. Cooking with the lid closed will ensure higher, more even temperatures that will reduce cooking time and cook meat more evenly. When cooking very lean meats, such as chicken breasts, or lean pork, the grids can be oiled before pre-heating to reduce sticking. Cooking meat with a high degree of fat content, may create flare-ups. Either trim some fat or reduce temperatures to prevent this. Should a flare-up occur, move food away from flames, reduce heat. Leave the lid open. See 'Your All Season Grill' cookbook by Napoleon for more detailed instructions.

DIRECT COOKING:

Place food to be cooked on the grill directly over the heat. This method is generally used for searing or for foods that do not require prolonged cooking times - hamburgers, steaks, chicken pieces, vegetables, etc. The food is first seared to trap in the juices and flavor, and then the temperature is lowered to finish cooking the food to your preference.

INDIRECT COOKING:

With one or more burners operating place food to be cooked on the grill over one of the burners that is not operating. The heat circulates around the food, cooking slowly and evenly. Cooking in this manner is much the same as cooking in your oven and is generally used for larger cuts of meats such as roasts, chickens or turkeys, but can also be used for cooking foods that are prone to flare ups. Cooking in this method with lower temperatures and slower cooking times will result in tender foods every time you grill.

PROTECTION OF YOUR INFRA RED BURNERS - The infrared burners of your grill are designed to provide a long service life. However, there are steps you must take to prevent cracking of their ceramic surfaces, which will cause the burners to malfunction.

- Never let water come in direct contact with your ceramic burner.
- Do not allow hard objects to impact the infra red burner.
- Do not allow cold water (rain, sprinkler, hose, etc.) to come in contact with hot ceramic burners. A large temperature differential can cause cracking of the ceramic tile.

Damage caused by failure to follow these steps is not covered by your grill warranty.

REAR BURNER USE:

Remove the warming rack prior to use. Cooking grids should also be removed if they interfere with the rotisserie. This gas grill is equipped with a 13,500 BTU rear burner. The rear burner is designed to be used in conjunction with the rotisserie kit available from your dealer. See the rotisserie kit assembly instructions. To use the counterbalance, remove the rotisserie motor from the gas grill. Place the spit with meat being cooked across the hangers inside the grill. The meat will naturally hang with the heavy side down. Tighten the counterbalance arm and weight, so that the arm is facing up. Slide the counterweight in or out to balance the load, and tighten in place. Re-install the motor and begin cooking. Place a dish underneath to collect drippings for basting and naturally delicious gravy. Basting liquid may be added as required. To seal in juices, first operate rear burner on high until browned, then reduce the heat to thoroughly cook foods. Keep the lid closed for best results. Your roasts and fowl will brown perfectly on the outside and stay moist and tender on the inside. For example, a 3 pound chicken on the rotisserie will be done in approximately 1½ hours on medium to high. See 'Your all Season Grill' cookbook by Napoleon for more detailed instructions.

SIDE BURNER USE:

The side burner can be used like any range top burner, for gravies, soups etc. The gas grill should be located so that the side burner is protected from the wind, because the wind will adversely affect it's performance. **DO NOT** use side burner to deep fry foods as cooking with oil can create a dangerous situation.

MAINTENANCE/CLEANING INSTRUCTIONS

It is recommended that this gas grill be thoroughly inspected and serviced annually by a qualified service person.

Note: Stainless steel tends to oxidize or stain in the presence of chlorides and sulfides, particularly in coastal areas and other harsh environments, such as the warm, high humidity atmosphere around pools and hot tubs. These stains may be perceived as rust, but can be easily removed and prevented. To ensure stain prevention, wash all stainless steel surfaces every 3-4 weeks with fresh water and stainless steel cleaner or as often as required.

- Do not use a pressure washer to clean any part of the unit.
- Ensure that the burners are turned off prior to cleaning. Avoid unprotected contact with hot surfaces. Clean grill in an area where cleaning solutions will not harm decks, lawns or patios. Do not use oven cleaner to clean any part of this gas grill. Do not use a self cleaning oven to clean cooking grids or any other parts of the gas grill. Barbecue sauce and salt can be corrosive and will cause rapid deterioration of the gas grill components unless cleaned regularly.
- Turn off the gas at the source and disconnect unit before servicing. Maintenance should only be done when the grill is cool, to avoid the possibility of burns. A leak test must be performed annually, and whenever any component of the gas train is replaced.

COMBUSTION AIR ADJUSTMENT - (This must be done by a qualified gas installer.) The air shutter is factory set and should not have to be adjusted under normal conditions. However, some extreme field conditions may exist that require adjustment. When the air shutter is adjusted correctly, the flames will be dark blue with light blue tips, and occasional yellow tips.

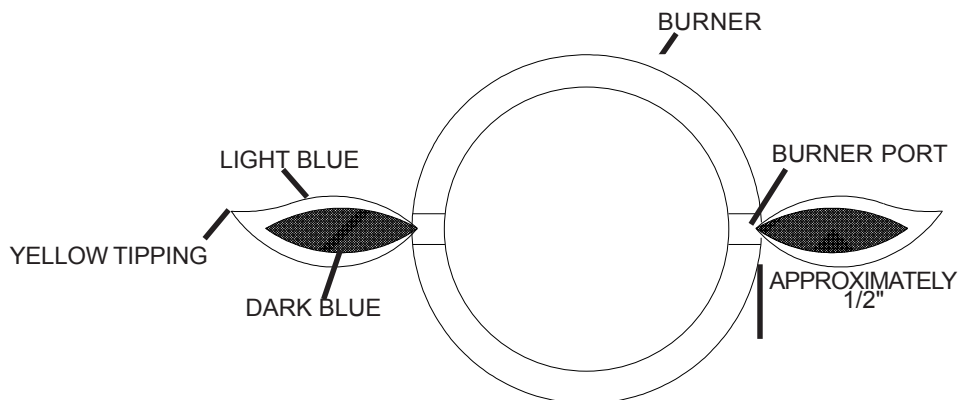
If the burner is getting too little air, the flames will be lazy yellow, and possibly produce soot. If the burner is getting too much air, the flames will be lifting erratically from the burner and may cause difficulties when lighting.

1. To adjust the air shutter, remove cooking grids and sear plates and leave lid open. The back cover must be removed for back burner air shutter adjustment.

2. Loosen air-shutter lock screw and open or close air shutter as required. The normal settings are:

Main Burner	Propane	5/32"
	Natural	5/32"

3. Light burners and set to high. Visually inspect burner flames. When shutters are set, turn burners off, tighten locking screw, and replace removed parts. Ensure that the insect screens are installed.



GRIDS AND WARMING RACK - The grids and warming rack are best cleaned during the pre-heat period with a soft brass wire brush. Steel wool can be used for stubborn stains.

CLEANING INSIDE THE GAS GRILL - Remove cooking grids. Use a soft brass wire brush to clean loose debris from casting sides and insides of the lid. Scrape sear plates with a putty knife or scraper, and use a wire brush to remove ash. Remove sear plates and brush debris off of burners with a brass wire brush. Brush all debris from inside the gas grill into the removable drip pan. Ensure that the sear plates are placed properly when they are reinstalled (Check assembly instructions for proper orientation).

DRIP PAN - Slide the drip pan out for easy cleaning. It should be cleaned frequently (every 4-5 uses) to avoid grease buildup. Grease and excess drippings pass through to the drip pan, located under the gas grill, and accumulate in the disposable grease tray below the drip pan. Accumulated grease can cause a fire hazard. Do not line the drip pan with aluminum foil, sand or any other material, as it can prevent the grease from flowing properly. The pan should be scraped out with a putty knife or scraper, and all the debris should be scraped into the disposable grease tray. This tray should be replaced every two to four weeks, depending on gas grill usage. For supplies, see your Napoleon Gas Grill dealer.

MAINTENANCE/CLEANING INSTRUCTIONS

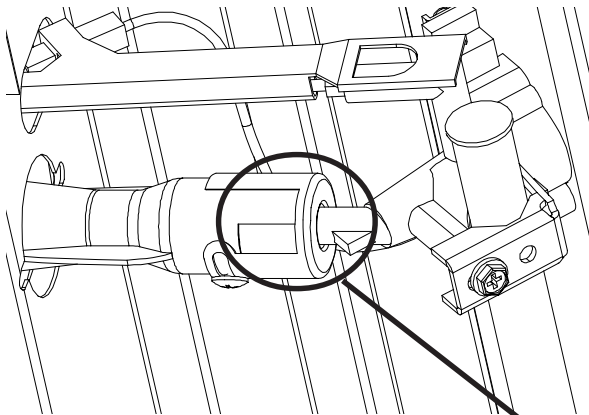
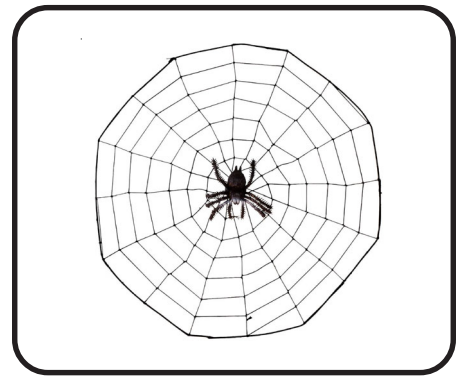
HOSE - Check for abrasion, melting, cuts and cracks. If any of these conditions exist, do not use gas grill. Have part replaced by your Napoleon Gas Grill dealer, or qualified gas installer.

CLEANING THE OUTSIDE OF THE GAS GRILL - Do not use abrasive cleaners to clean any painted, porcelain or stainless steel parts. Porcelain enamel components must be handled with additional care. The baked on enamel finish is glass like, and will chip if struck. Touch-up enamel is available from your Napoleon Gas Grill dealer. Exterior grill surfaces should be cleaned while warm to the touch, with warm soapy water. To clean stainless surfaces, use a stainless steel cleaner or a non-abrasive cleaner. Always wipe in the direction of the grain. Do not use steel wool, as it will scratch the finish. Stainless steel parts will discolour when heated, usually to a golden or brown colour. This discolouration is normal and will not affect the performance of the grill.

TUBE BURNER - The burners are made from heavy wall 304 stainless steel, but due to the extreme heat and corrosive environment, surface corrosion will occur. Use a brass wire brush to remove surface corrosion. Clean any blocked ports using an opened paper clip. Do not enlarge the burner ports. Spiders and insects are attracted to the smell of propane and natural gas. The burner is equipped with an insect screen on the air shutter, which will reduce the likelihood of insects building nests inside the burner, but does not entirely eliminate the problem. The nest or web will cause the burner to burn with a soft yellow or orange flame or cause a fire (flashback) at the air shutter underneath the control panel. To clean the inside of the burner, it must be removed from the gas grill. Remove the screw located in the center of each burner. Lift the back of the burner upwards to remove. Use a flexible venturi tube cleaning brush to clean out the inside of the burner. Shake any loose debris out of the burner, through the gas inlet. Ensure that the insect screen is clean, tight, and free of any lint or other debris. Check also that the valve orifices are clean. Do not enlarge the orifices. Re-install the burner.



CAUTION BEWARE OF SPIDERS



WARNING



It is very important when re-installing the burner after cleaning that the valve/orifice enters the burner tube before lighting your gas grill. If the valve is not inside the burner tube a fire or explosion could occur.

TROUBLESHOOTING

Problem	Possible Causes	Solution
Low heat / Low flame when valve turned to high.	<p>For propane - improper lighting procedure.</p> <p>For natural gas - undersized supply line.</p> <p>For both gases - improper preheating.</p>	<p>Ensure lighting procedure is followed carefully. All gas grill valves must be in the off position when the tank valve is turned on. Turn tank on slowly to allow pressure to equalize. See lighting instructions.</p> <p>Pipe must be sized according to installation</p> <p>Pre-heat grill with all main burners on high for 10 to 15 minutes.</p>
Excessive flare-ups/ uneven heat.	<p>Sear plates installed incorrectly.</p> <p>Improper pre-heating.</p> <p>Excessive grease and ash build up on sear plates and in drip pan.</p>	<p>Ensure sear plates are installed with the holes towards the front, and the slots on the bottom. See assembly instructions.</p> <p>Pre-heat grill with all main burners on high for 10 to 15 minutes.</p> <p>Clean sear plates and drip pan regularly. Do not line pan with aluminum foil or other materials. Refer to cleaning instructions.</p>
Burners burn with yellow flame, accompanied by the smell of gas.	Possible spider web or other debris, or improper air shutter adjustment.	Thoroughly clean burner by removing. See general maintenance instructions. Open air shutter slightly according to combustion air adjustment instructions. (This must be done by a qualified gas installer.)
Flames lift away from burner, accompanied by the smell of gas, and possibly difficulties in	Improper air shutter adjust-	Close air shutter slightly according to combustion air adjustment instructions. (This must be done by a qualified gas installer.)
Regulator 'Hums' when unit is operating.	Normal occurrence on hot days.	This is not a defect. It is caused by internal vibrations in the regulator, and does not affect the performance or safety of the gas grill. Humming regulators will not be
Burners will not crosslight each other.	Plugged ports at back of burner.	Clean burner ports. See burner maintenance instruc-
"Paint" appears to be peeling inside lid or hood.	Grease build up on inside surfaces.	This is not a defect. The peeling is caused by hardened grease, which dries into paint-like shards, that will flake off. Regular cleaning will prevent this. See cleaning instructions.

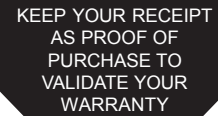
ORDERING REPLACEMENT PARTS

WARRANTY INFORMATION

MODEL: _____

DATE OF PURCHASE: _____

SERIAL NUMBER: _____



KEEP YOUR RECEIPT
AS PROOF OF
PURCHASE TO
VALIDATE YOUR
WARRANTY

(record information here for easy reference)

Before contacting the customer care department, check the NAC web site for more extensive cleaning, maintenance, troubleshooting and part replacement instructions at www.napoleongrills.com. Contact the factory directly for replacement parts and warranty claims. The customer care department is available between 9 AM and 5 PM (Eastern Standard Time) at 1-866-820-8686 or fax at 1-705-727-4282. In order to process a claim, we must be provided with the following information:

1. Model and serial number of the unit.
2. Part number and description.
3. A concise description of the problem ('broken' is not sufficient).
4. Proof of purchase (photocopy of the invoice).

In some cases the customer care representative may request to have the parts returned to the factory for inspection, before providing replacement parts. The parts must be shipped prepaid to the attention of the customer care department with the following information:

1. Model and serial number of the unit.
2. A concise description of the problem ('broken' is not sufficient).
3. Proof of purchase (photocopy of the invoice).
4. Return Authorization number - provided by the customer care representative.

Before contacting customer care, please note that the following items are not covered by the warranty:

- costs for transportation, brokerage or export duties
- labor costs for removal and re-installation
- costs for service calls to diagnose problems
- discoloration of stainless steel parts
- part failure due to lack of cleaning and maintenance, or use of improper cleaners (oven cleaner).

ASSEMBLY INSTRUCTIONS

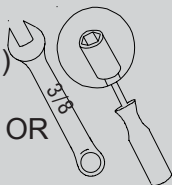
⚠ CAUTION: During unpacking and assembly it is recommended that you wear work gloves and safety glasses for your protection. Although we make every effort to make the assembly process as problem free and safe as possible, it is characteristic of fabricated steel parts that the edges and corners may be sharp and can cause cuts if handled incorrectly during assembly.

GETTING STARTED

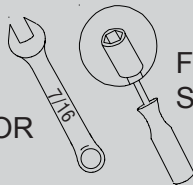
1. Remove all cart panels, hardware, and grill head from carton. Raise lid and remove any components packed inside. Use the parts list to ensure all necessary parts are included.
2. Do not destroy packaging until grill has been fully assembled and operates to your satisfaction.
3. Assemble BBQ where it is to be used, lay down cardboard or a towel to protect parts from being lost or damaged while assembling.
4. Most stainless steel parts are supplied with a protective plastic coating that must be removed prior to using grill.
5. Follow all instructions in the order that they are laid out in this manual.
6. Two people are required to lift the grill head onto the assembled cart.

TOOLS REQUIRED FOR ASSEMBLY (tools not included)

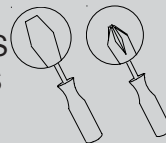
3/8 (10mm)
WRENCH,
RATCHET OR
DRIVER



7/16
WRENCH,
RATCHET OR
DRIVER



FLAT AND PHILIPS
SCREWDRIVERS



HAMMER

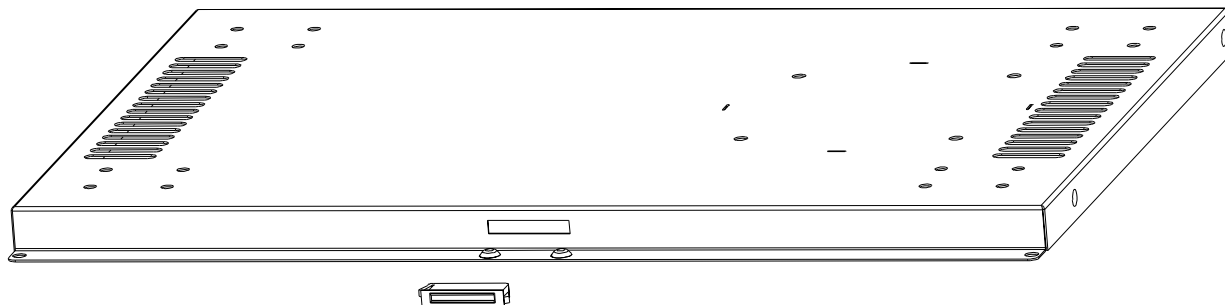


If you have any questions about assembly or grill operation, or if there are damaged or missing parts please call our customer care department at 1-866-820-8686 between 9 AM and 5 PM (Eastern Standard Time).

1 x N430-0002
MAGNET CATCH

1 Magnet Installation

Snap magnet into slot in front of bottom shelf.



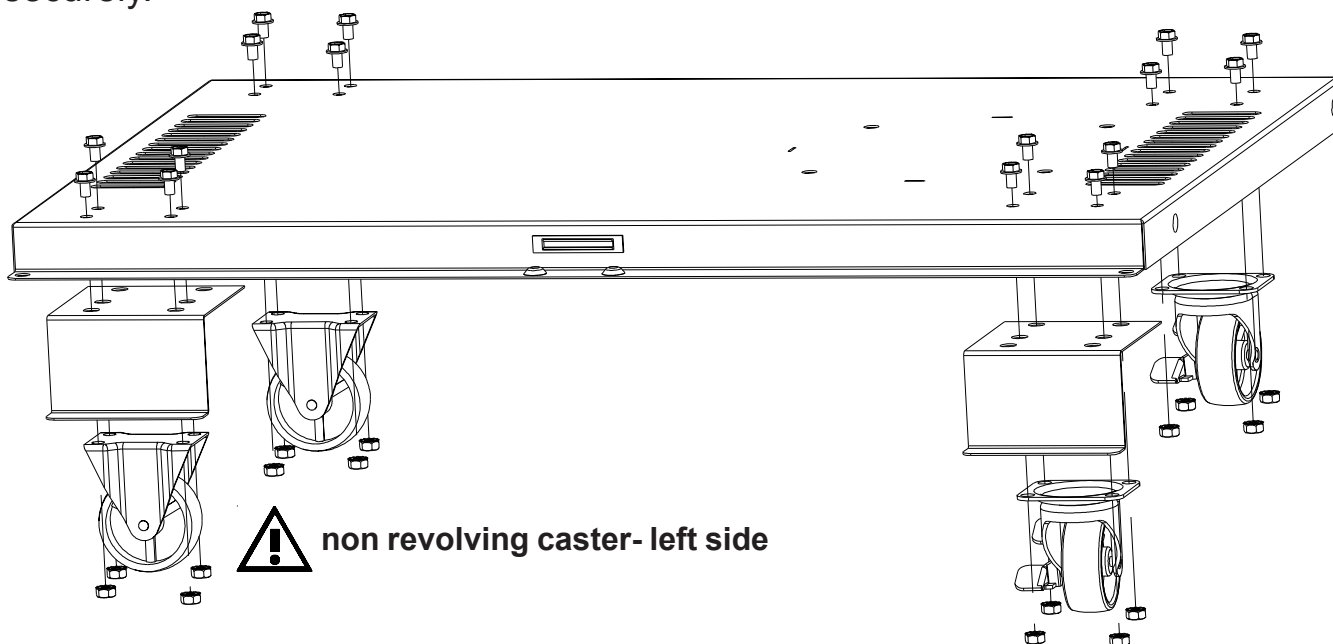
16 X 
N570-0073 (1/4-20 X 3/8")

16 X 
N450-0027 (1/4-20)



2 Caster/Bracket Installation

Attach (4) casters, using (4) 1/4 - 20 X 3/8" screws and (4) 1/4-20 lock nuts for each caster. Attach brackets under front casters as illustrated. Tighten securely.

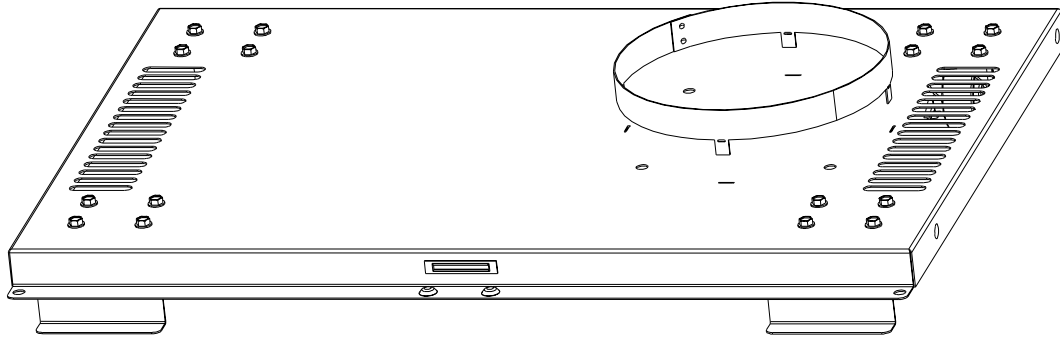




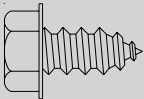
PROPANE ONLY

3 Propane Tank Ring Installation

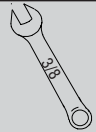
Insert propane tank ring into slots in bottom shelf as shown. Fold tabs over to secure in place.



4 X

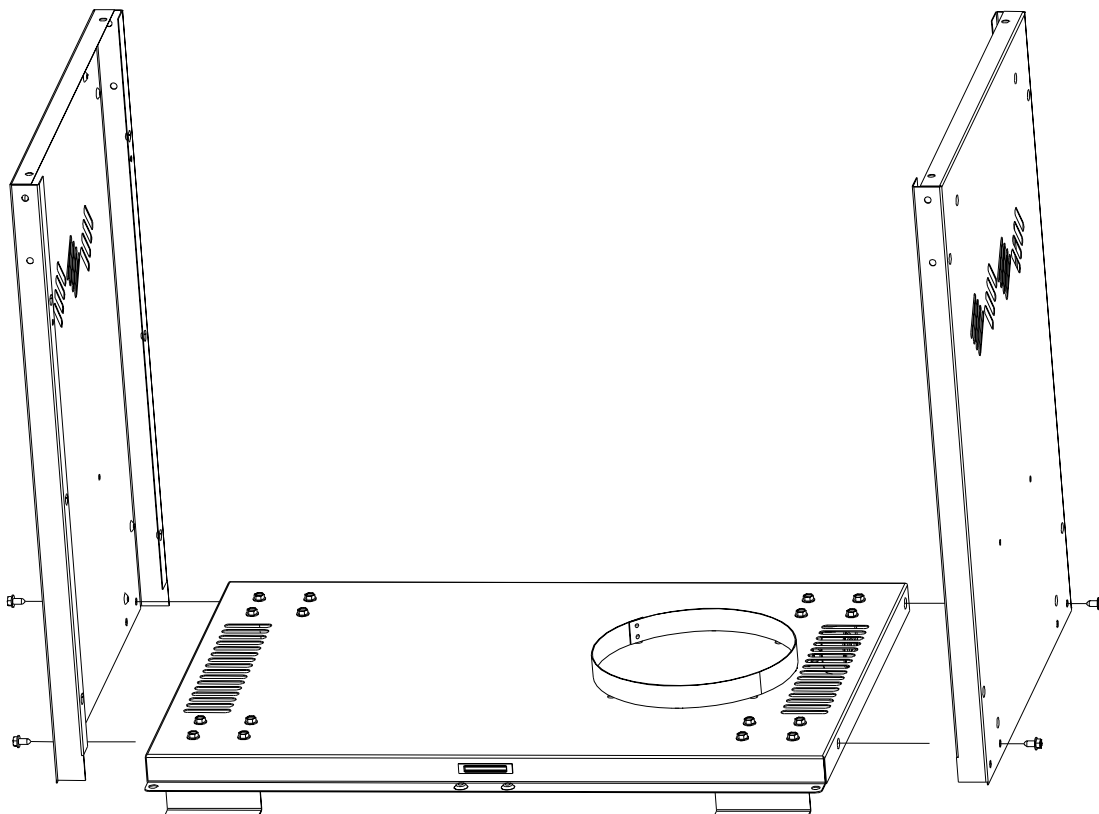


N570-0080 (#14 X 1/2'')

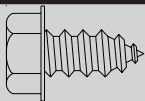


4 Left and Right Cart Panel Installation

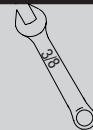
Install end cart panels ensuring slots in panel are to the top, rest panel on bottom shelf and line up holes. Fasten using (4) #14 x 1/2" screws.



6 X

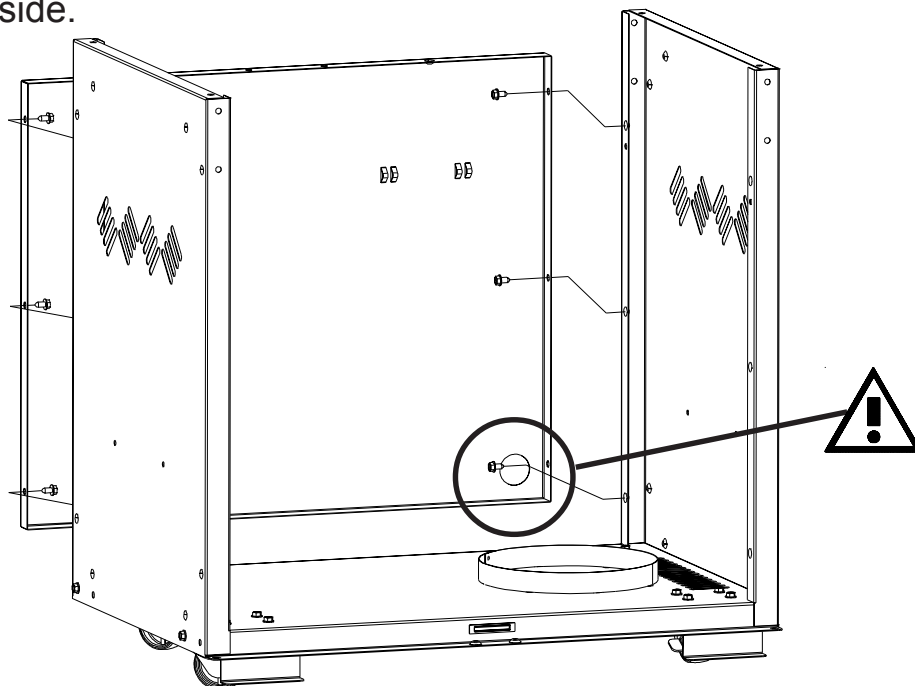


N570-0080 (#14 X 1/2")



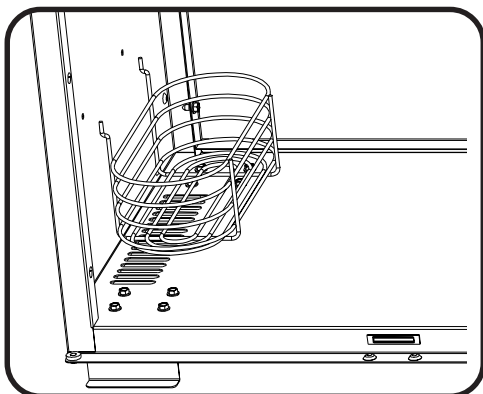
5 Rear Cart Panel Installation

Fit rear cart panel between the two end panels, ensure large hole in panel is to the bottom right hand corner as illustrated. Fasten using (6) #14 x 1/2" screws, three on each side.

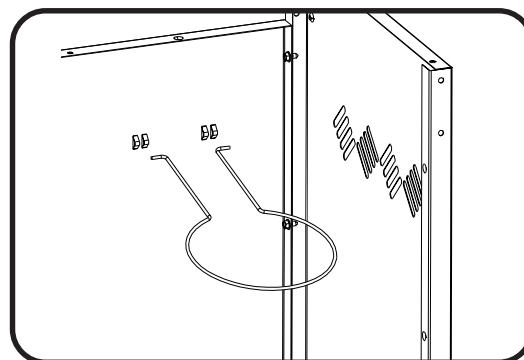


6 Condiment Basket / Propane Tank Mount Installation

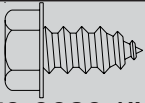
Rotate basket slightly to allow wire to enter the holes in the side panel. Push through and upwards, rotating to allow the bend in the wire to pass through the holes. Lay basket flat against the side panel. Clip top propane tank mount into slots in back panel. Insert one end at a time, gently bending wire. (When not in use tank mount will lay flat against back panel).



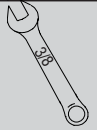
PROPANE ONLY



6 X
N570-0080 (#14 X 1/2")

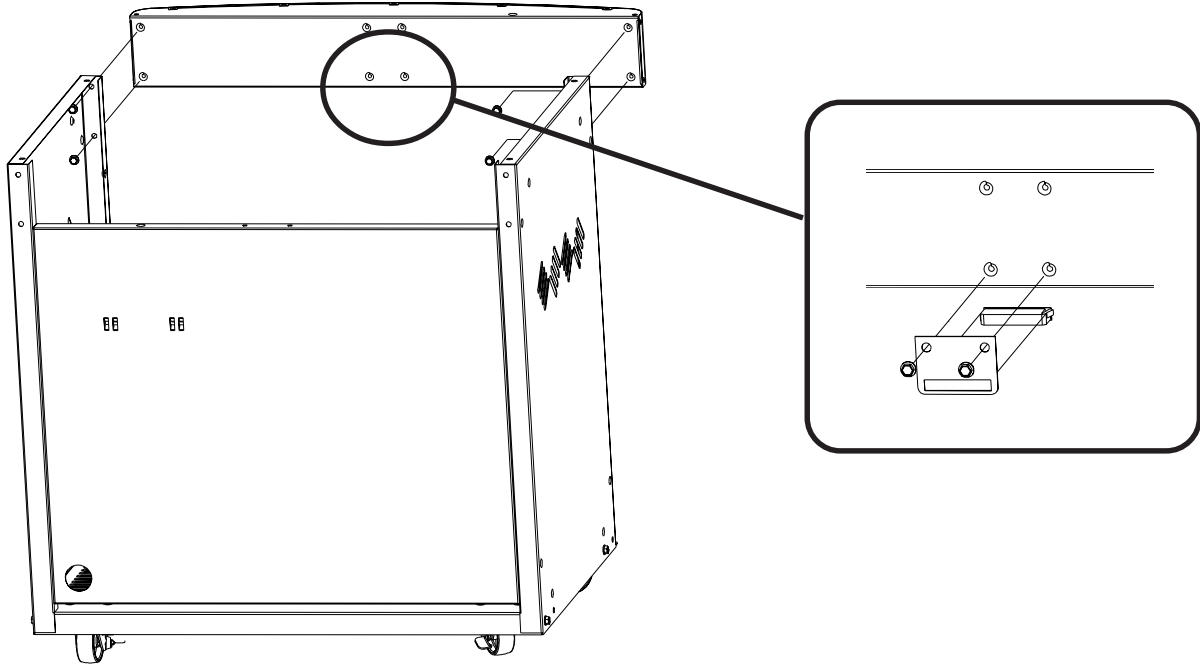


1 x N430-0002
MAGNET CATCH

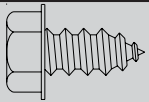


7 Front Cabinet Support Installation

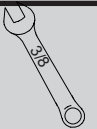
Fasten top rail assembly to the front of side panels using (4) #14 x 1/2" screws. For ease of installation start all screws before tightening completely. Attach magnet bracket to bottom of top rail using (2) #14 x 1/2" screws, and snap magnet into place as shown.



2 X
N570-0080 (#14 X 1/2")

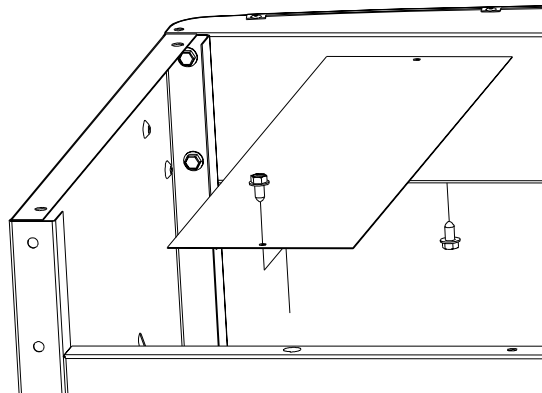


PROPANE ONLY

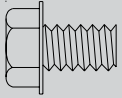


8 Propane Tank Heat Shield Installation

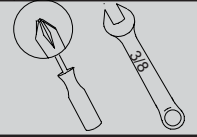
Attach propane tank heat shield above propane tank ring. Attach one end under lip of back panel and other end to underside of front cabinet support.



6 x



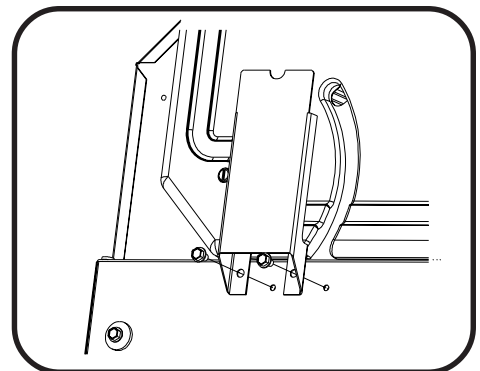
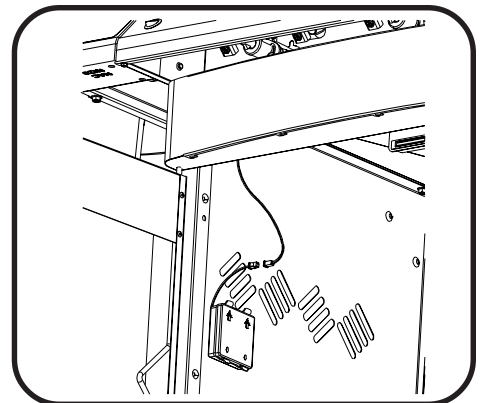
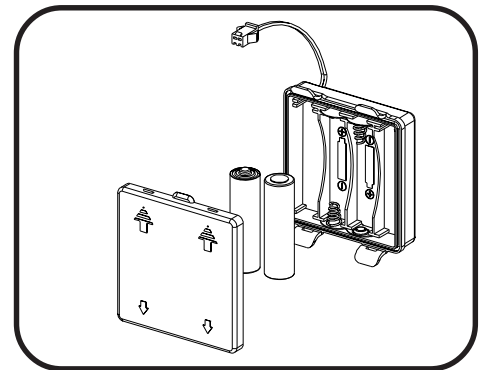
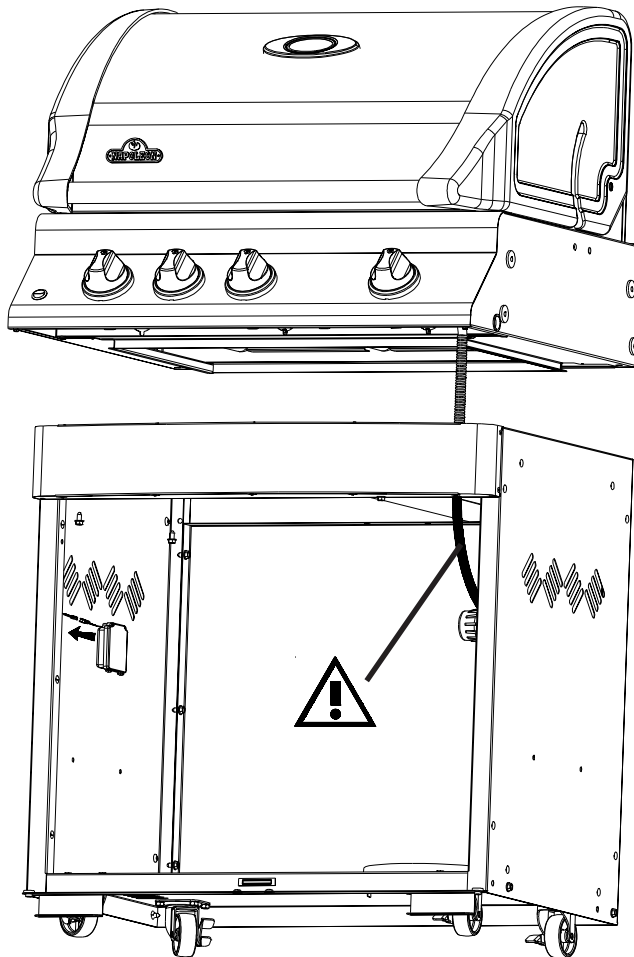
N570-0073 (1/4-20 x 3/8")



9 Grill Head Installation

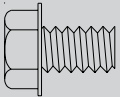
⚠ PROPANE ONLY - To avoid assembly difficulties, prior to mounting the grill head, remove zip tie holding regulator up under control panel. This was installed at the factory to protect the regulator hose during shipping and is no longer required. (Take care when removing the tie not to damage the hose). Ensure the regulator drops into the small opening, between the tank heat shield and the right side of the cabinet.

Lift grill head and place on assembled cart, lining up holes in top of side cart panels with holes in bottom of base. Fasten from inside using (4) 1/4-20 x 3/8" screws, two per side. Install battery pack below vent slots on left hand panel using magnet supplied with battery pack. Plug wire from LED (lights) located underneath control panel into wire from battery pack. Install rotisserie mount bracket to left side of barbecue as shown using (2) 1/4-20 x 3/8" screws.

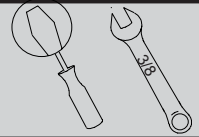


TWO PEOPLE ARE REQUIRED FOR THIS STEP

10 x

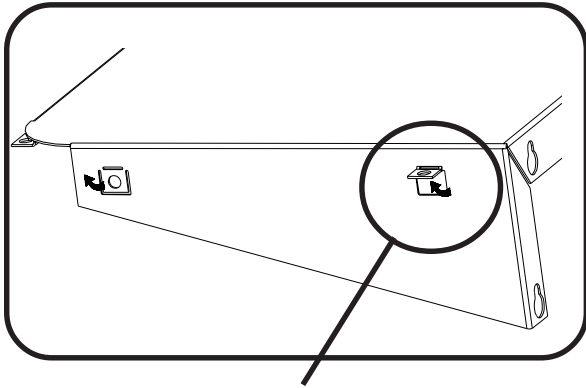


N570-0073 (1/4-20 x 3/8")

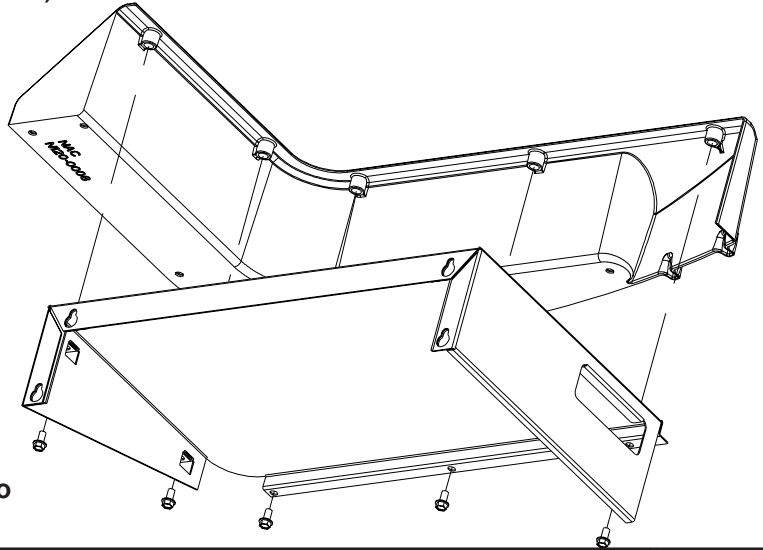


10 Assembling End Caps to Side Shelf / Side Burner

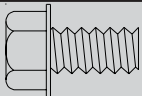
Peel protective coating from side shelf / side burner. Attach corresponding end cap as shown using (5) (1/4-20 x 3/8") screws.



Bend tabs on front of shelf up with a flat head screw driver, insert screw through tab and into end cap.



4 X

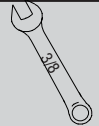


N570-0082 (1/4-20 x 5/8")

4 X

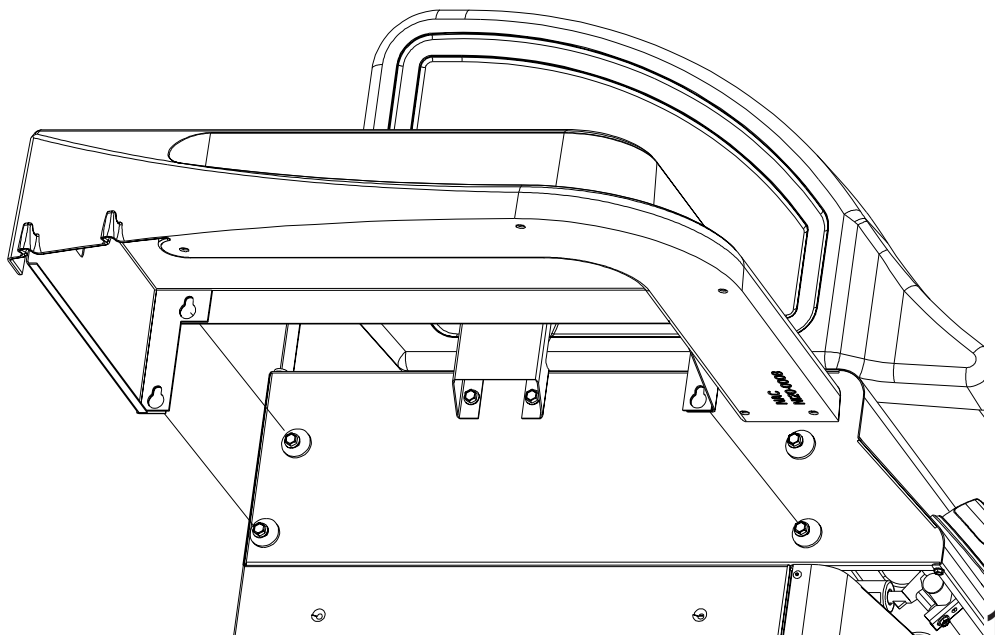
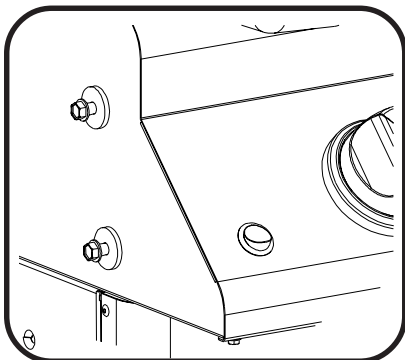


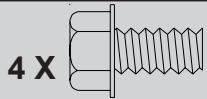
N735-0001 (1 1/16" insulated washer)



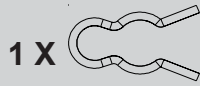
11 Side Shelf Installation

Insert (4) 1/4-20 x 5/8" screws through washers into threaded holes in side of base, do not tighten all the way. Slide assembled side shelf over screw heads and finish tightening.





4 X
N570-0082 (1/4-20 X 5/8")



1 X
N160-0016

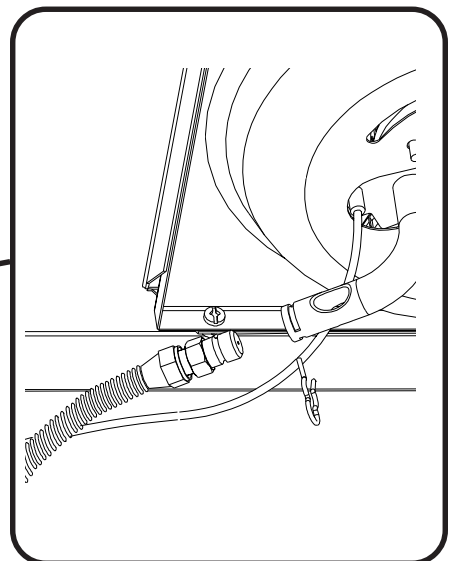
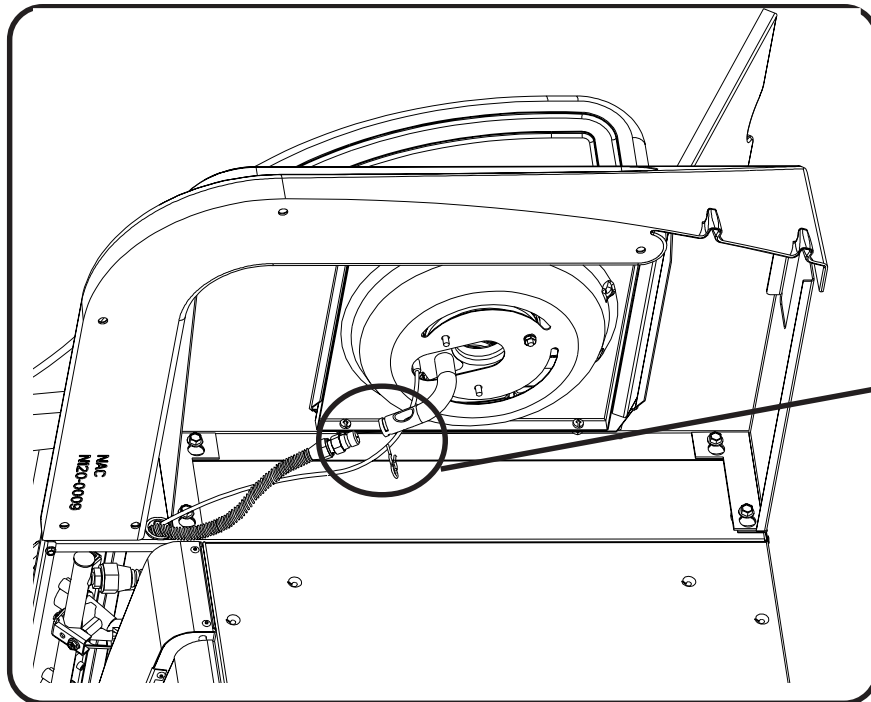
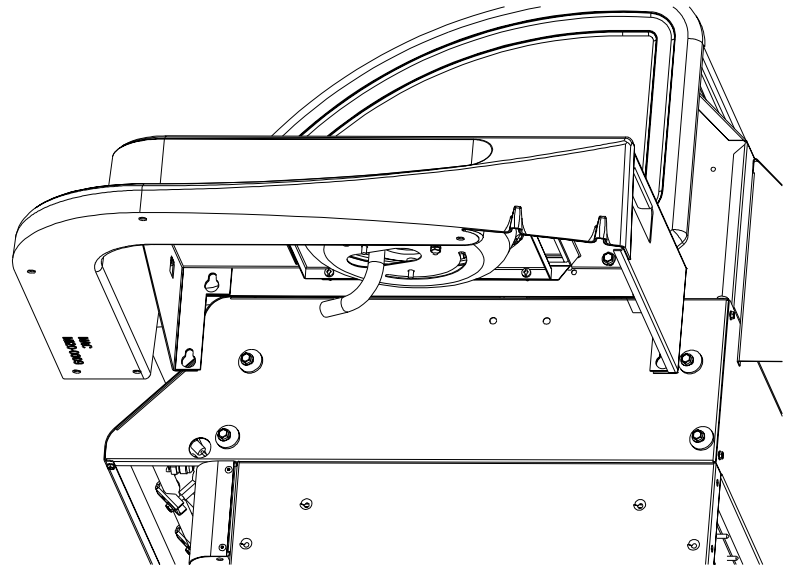
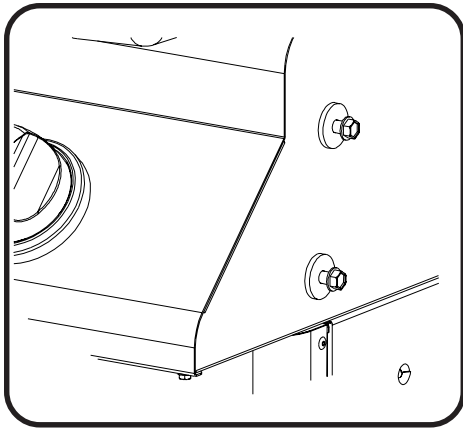


4 X
N735-0001 (1 1/16" insulated washer)

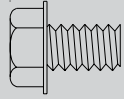


12 Side Burner Installation

Insert (4) 1/4-20 x 5/8" screws through washers into threaded holes in side of base. Do not tighten all the way. Slide assembled side burner over screw heads and finish tightening. Attach 1/2" flex connector hose from manifold to fitting on end of side burner hose. Fit orifice into burner tube and secure with hose retainer clip supplied. Attach wire from manifold to side burner electrode.



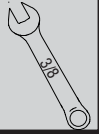
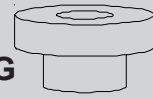
4 x N570-0073
(1/4-20 X 3/8")



4 X N735-0003
(1/4" LOCK WASHER)



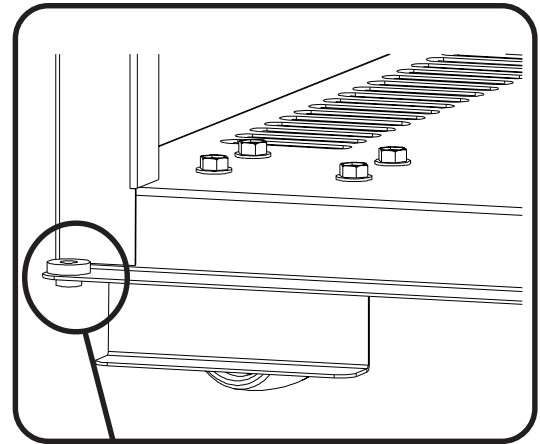
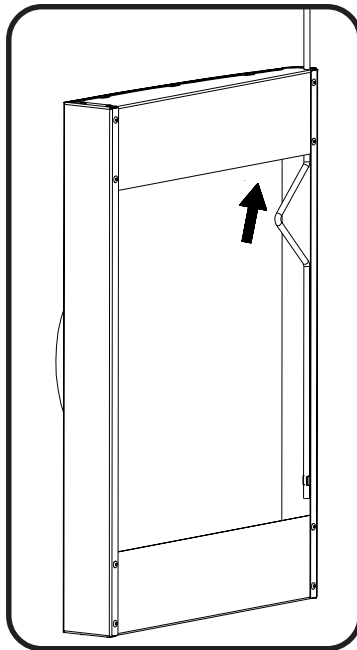
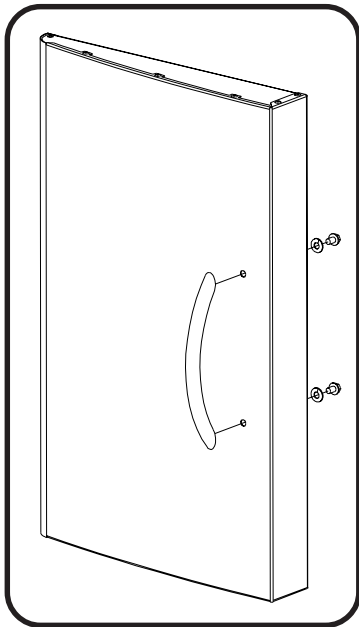
2 x N105-0011
DOOR BUSHING



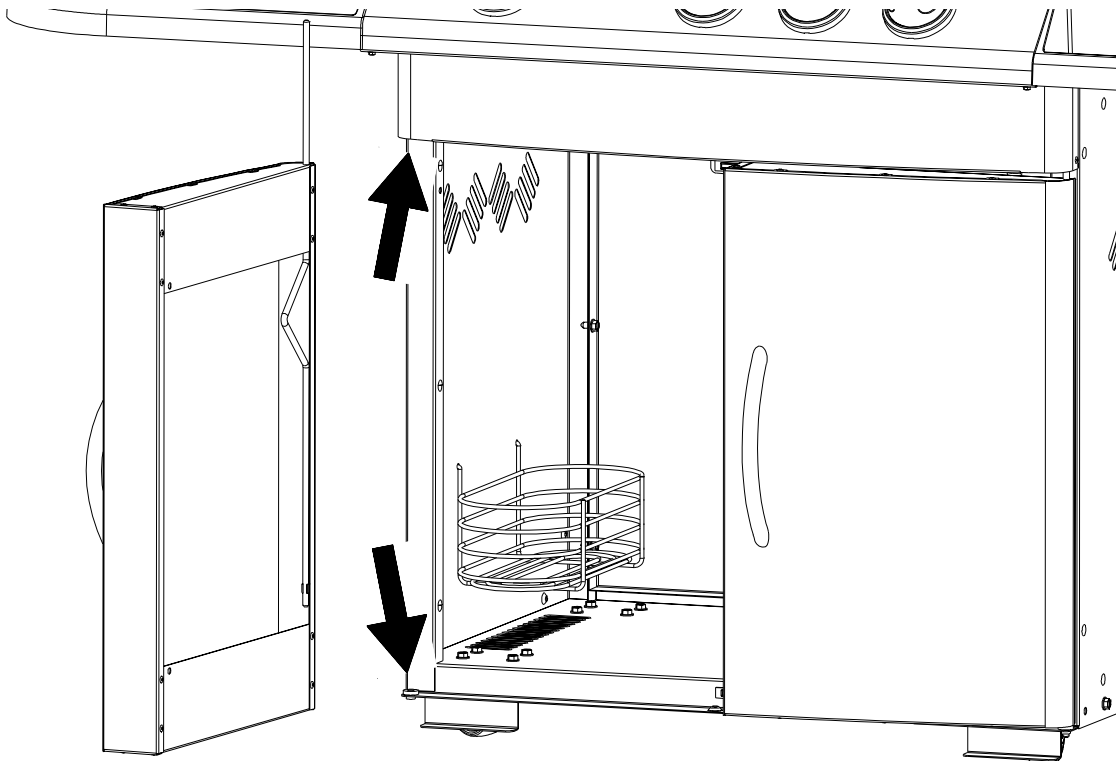
13 Cabinet Door Installation

Install door handle onto front of door using (2) 1/4-20 x 3/8" screws and (2) 1/4" lock washers per door.

Insert pivot rod through hole on inside top of door. Holding door in one hand, direct pivot rod into hole in underside of front cabinet support. Once secure, let rod slide down and through hole in bottom of door and into bushing in bottom shelf.



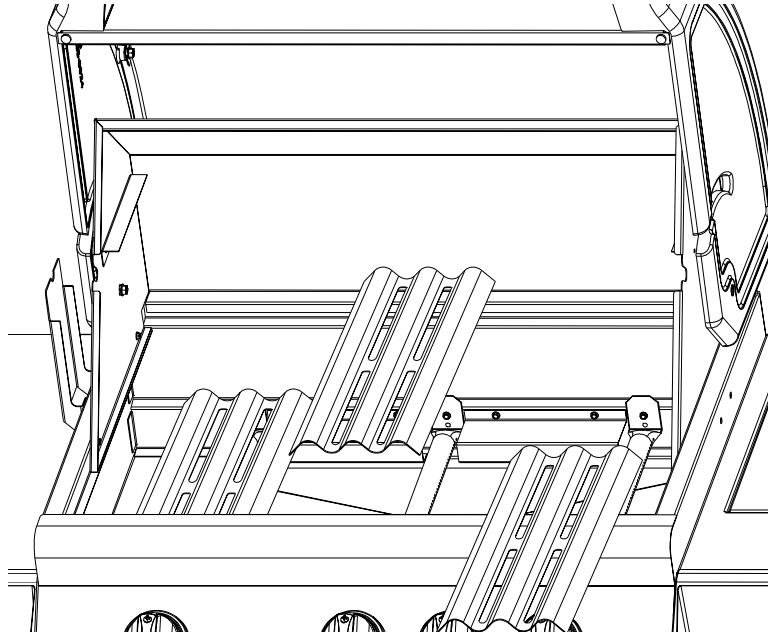
BUSHING



3 X N305-0057

14 Sear Plate Installation

Insert sear plates into base, position one over each tube burner with slots down to allow drippings to travel through.

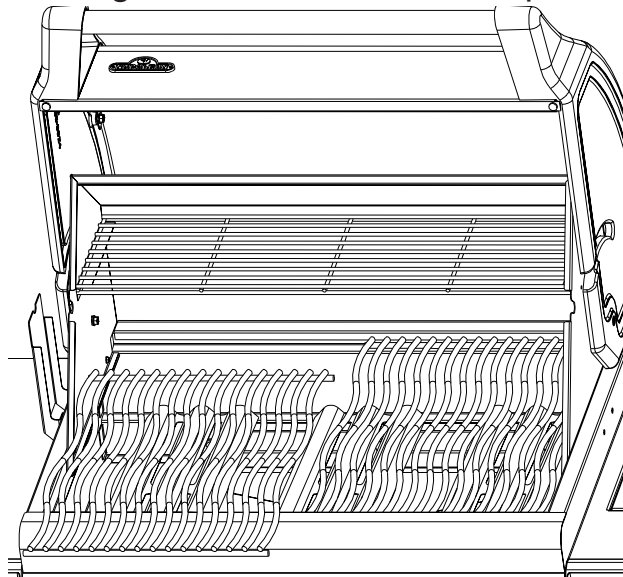


1 X N520-0023

2 X N305-0058

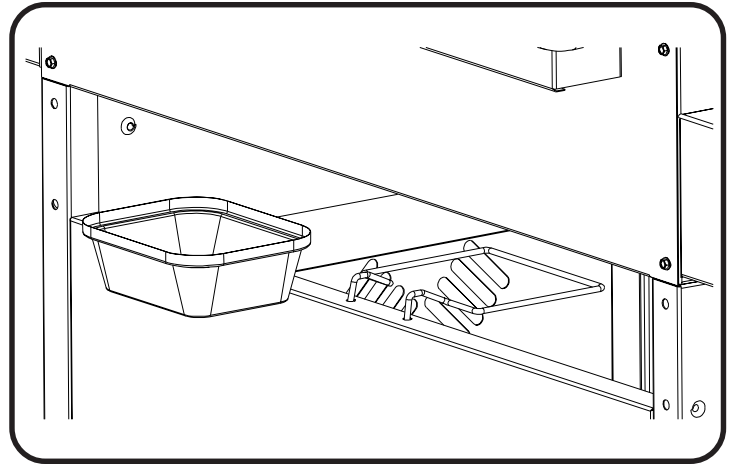
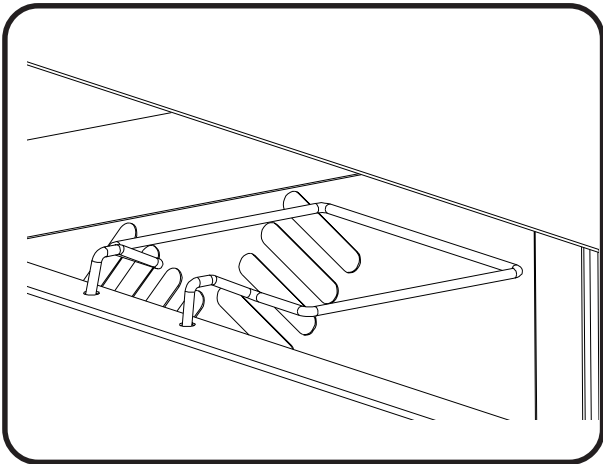
15 Grid and Warming Rack Installation

Position grids and warming rack into base as shown. Rest warming rack on brackets inside hood and grids on front and back lip of base.



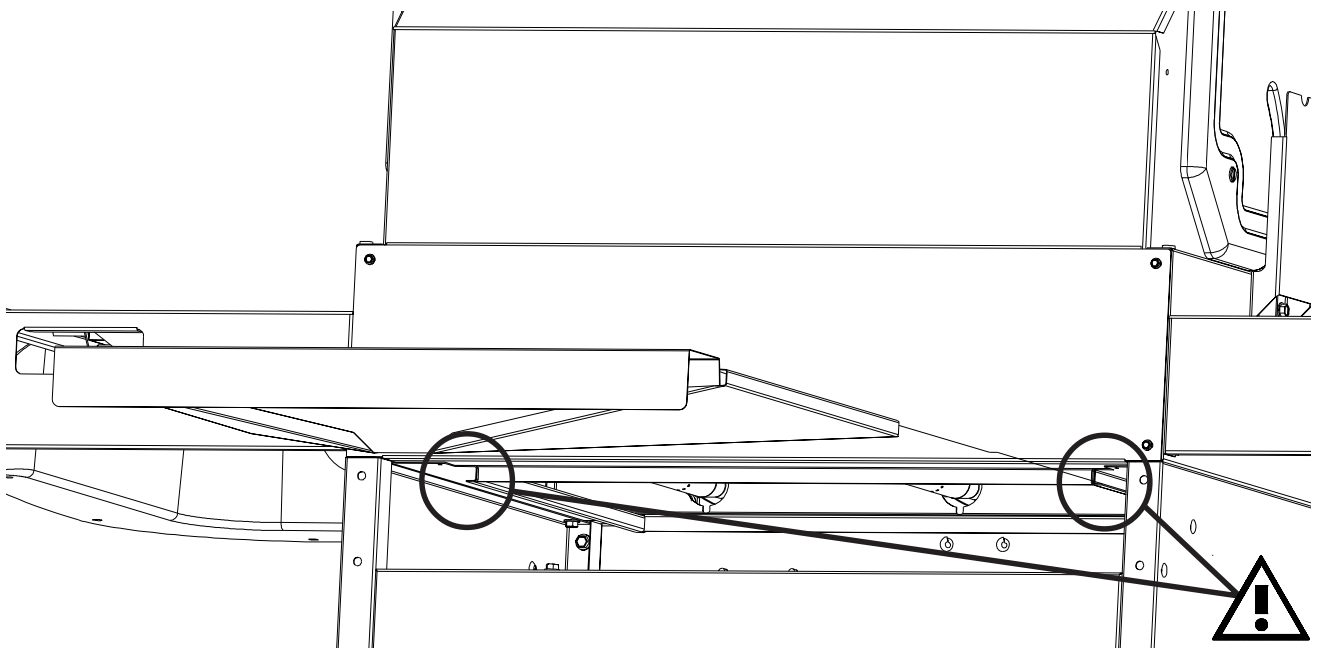
16 Grease Tray and Holder Installation

Clip the wire grease tray holder into the two holes located in the center of the back panel. Place the aluminum grease tray into the grease tray holder



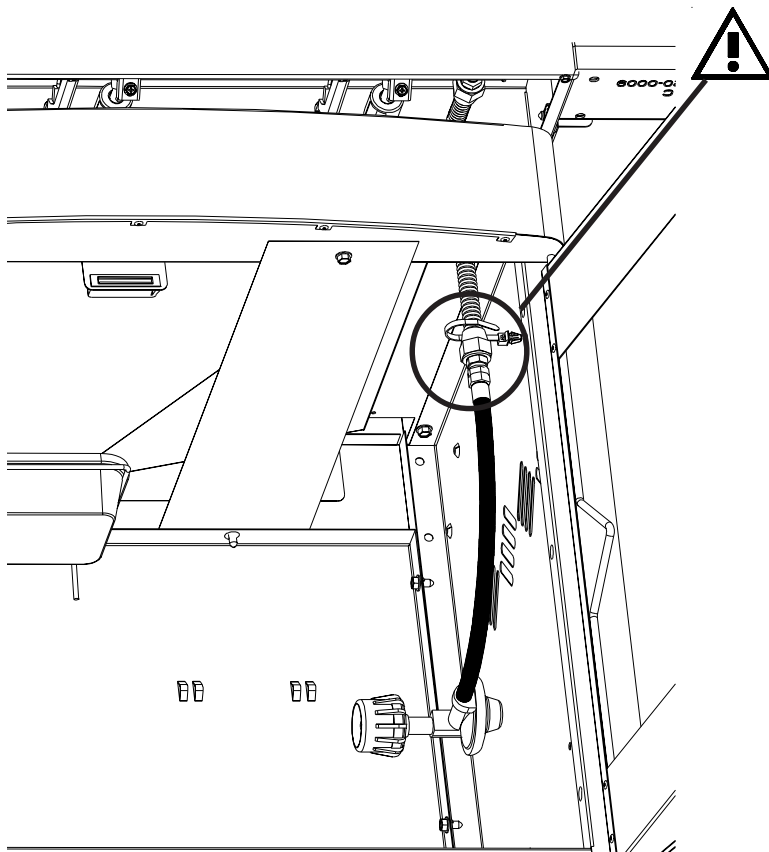
17 Drip Pan Installation

Slide drip pan into rear of base as shown. Ensure drip pan rides along rails on bottom of base.

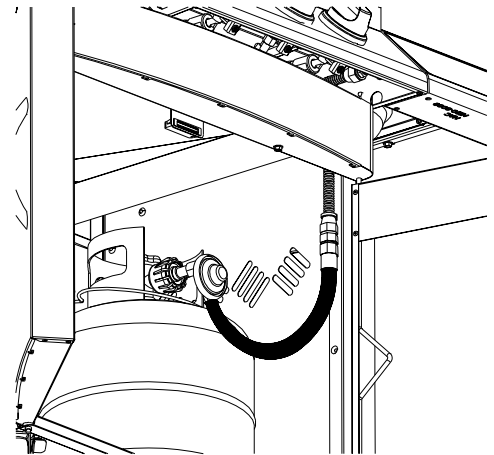
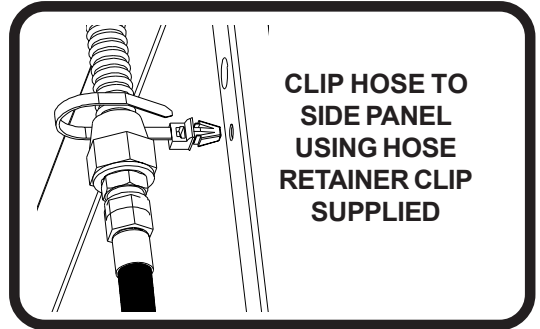




PROPANE ONLY - PROPER HOSE CONNECTION



Ensure the regulator drops into the small opening, between the tank heat shield and the right side of the cabinet.

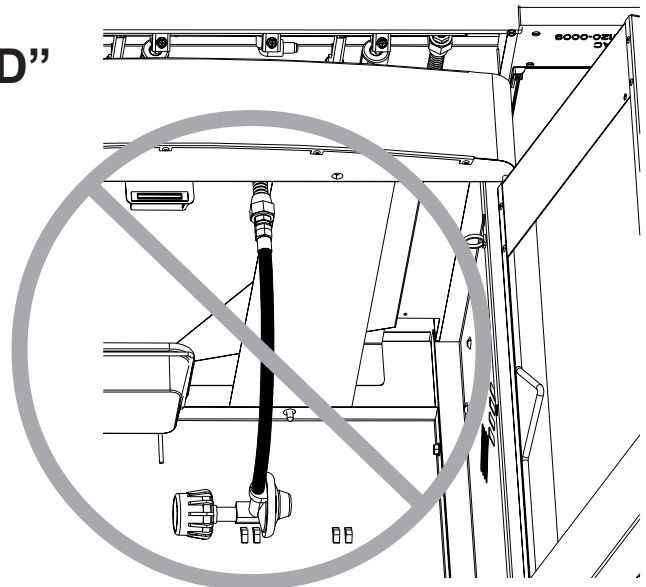


PROPANE ONLY - IMPROPER HOSE CONNECTION



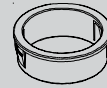
“WARNING - FIRE HAZARD”

The regulator hose must be attached so that no part of the hose touches the underside of the grill or drippan. A fire will result if these directions are ignored.





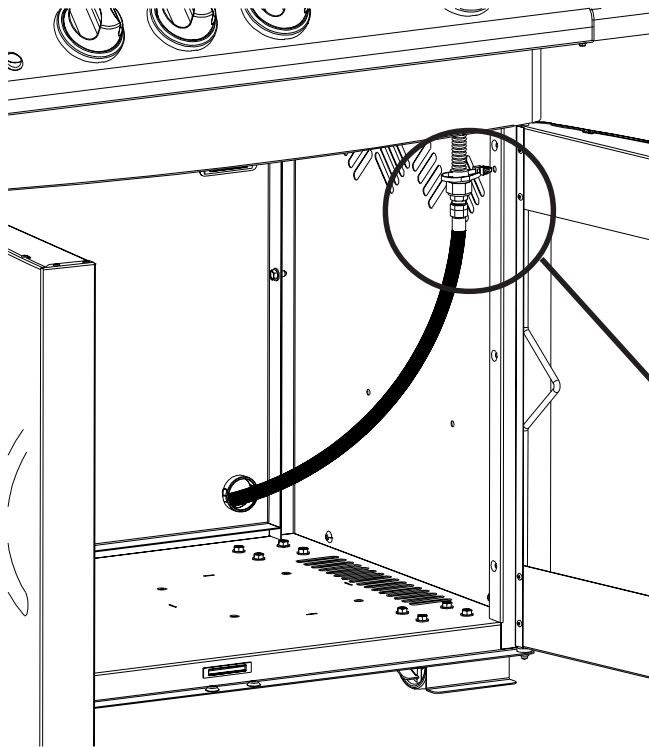
NATURAL GAS ONLY - PROPER HOSE CONNECTION



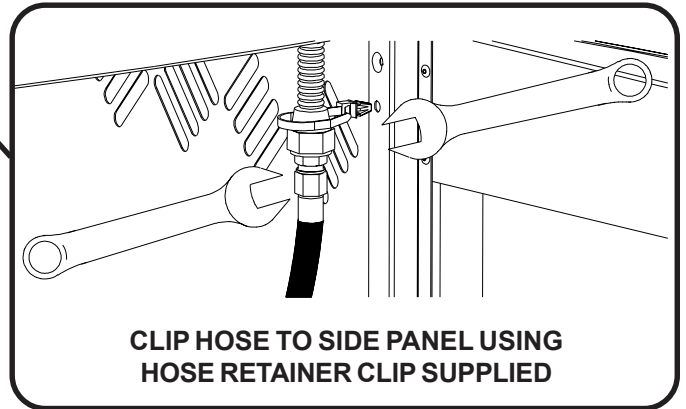
2 X



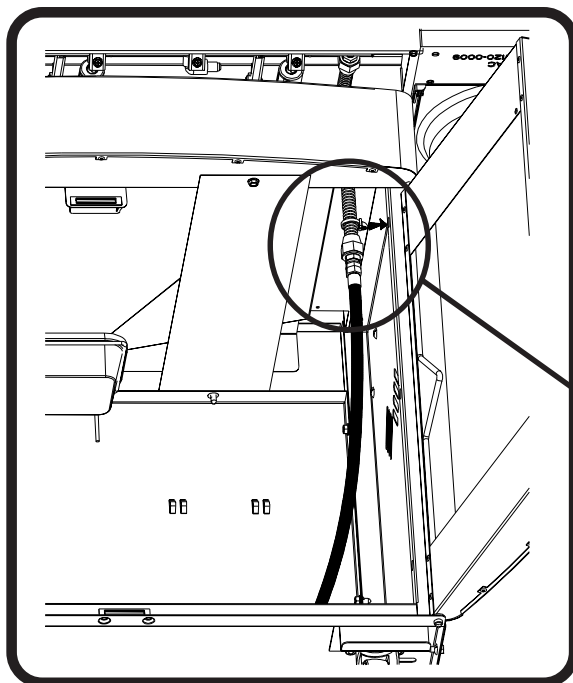
1xN105-0002



**INSTALL BUSHING INTO
BACK PANEL**



**THIS MUST BE PERFORMED BY A LICENSED GAS FITTER.
DO NOT USE PIPE DOPE OR TEFLON TAPE ON THIS CONNECTION**

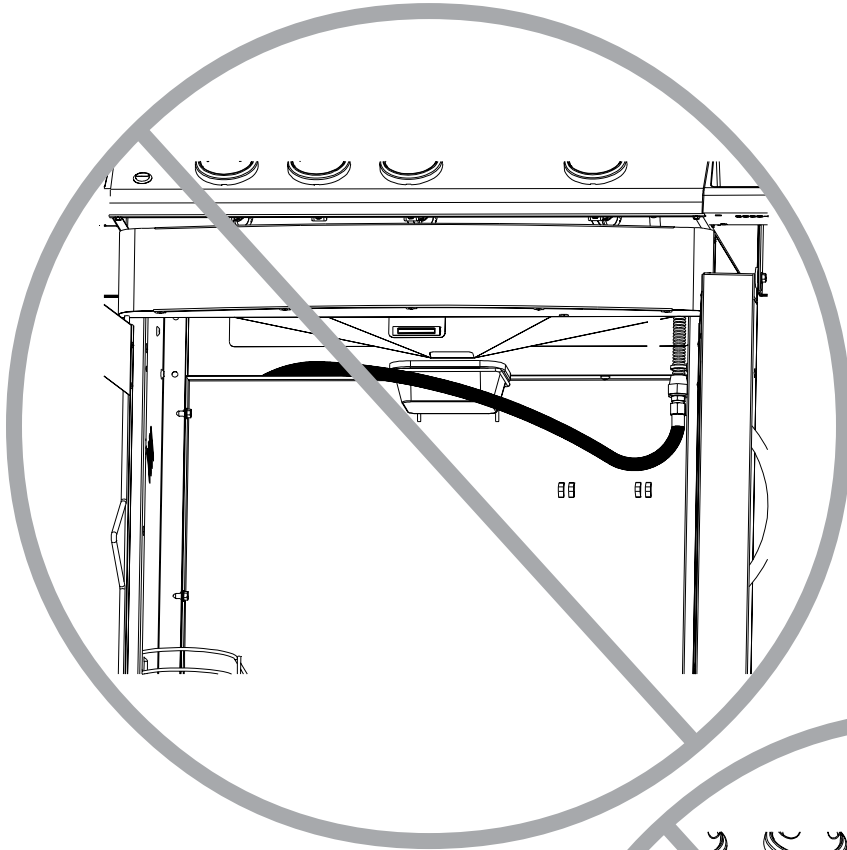




NATURAL GAS ONLY - IMPROPER HOSE CONNECTION

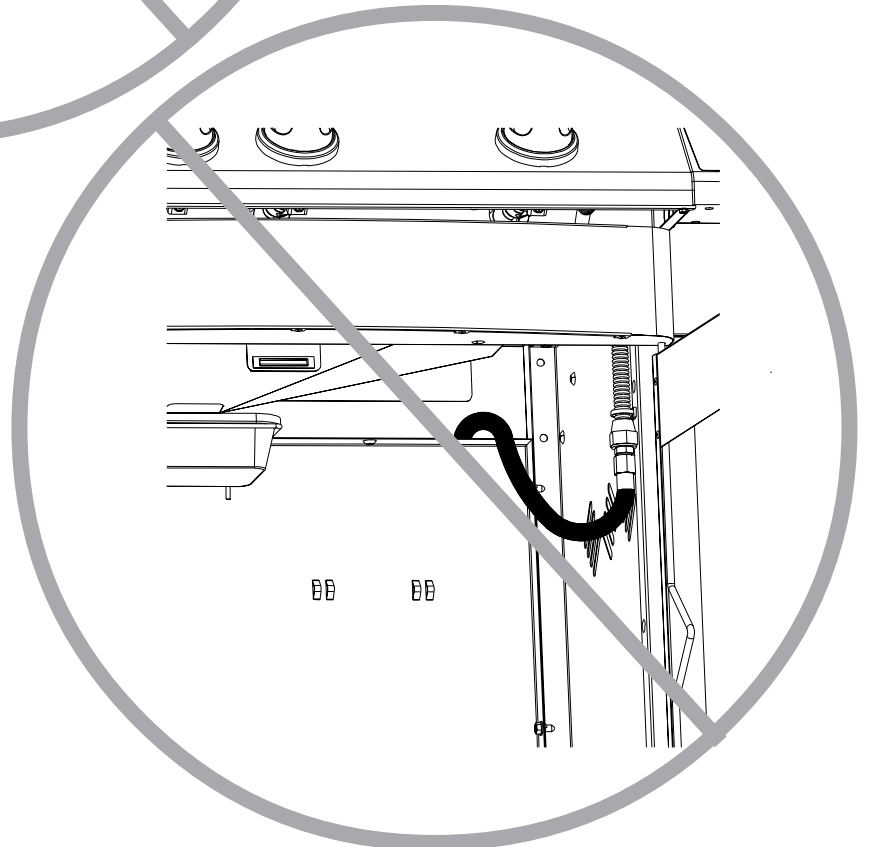


“WARNING - FIRE HAZARD”



Do not route hose underneath drip pan.

Do not route hose over top of rear panel.



Ensure the hose does not contact any high temperature surfaces, or it may melt and leak causing a fire.

LEAK TESTING INSTRUCTIONS



DANGER

Do not use an open flame to check for gas leaks. Be sure there are no sparks or open flames in the area while you check for leaks. Sparks or open flames will result in a fire or explosion, damage to property, serious bodily injury or death.

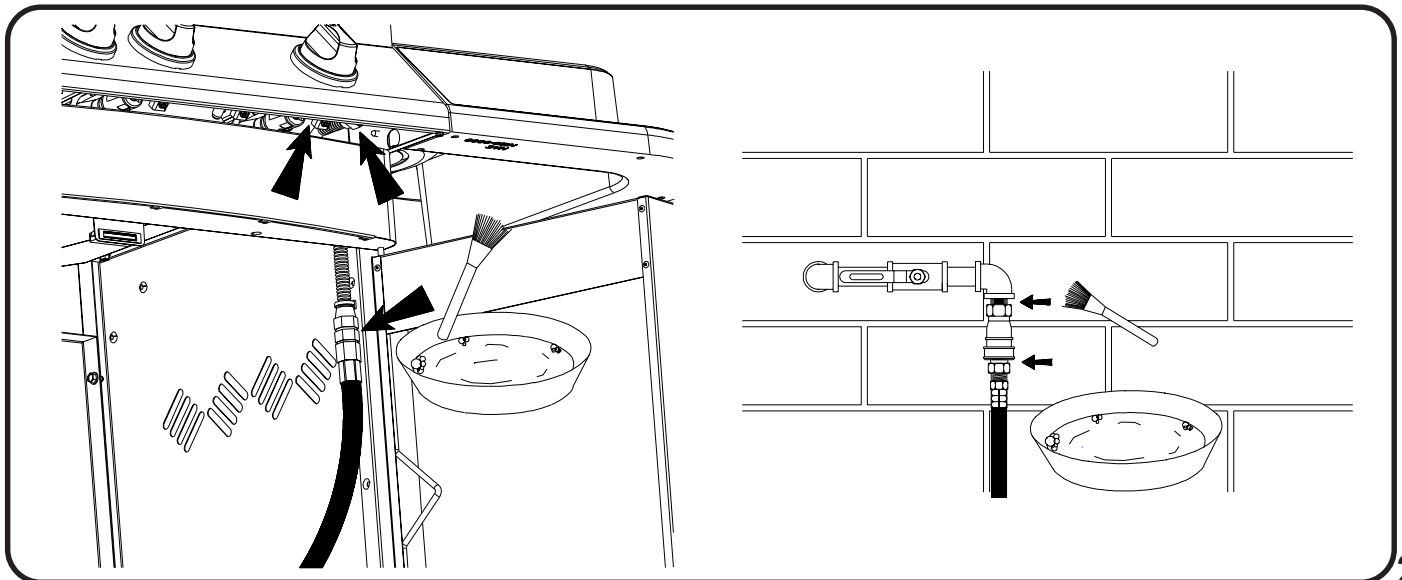
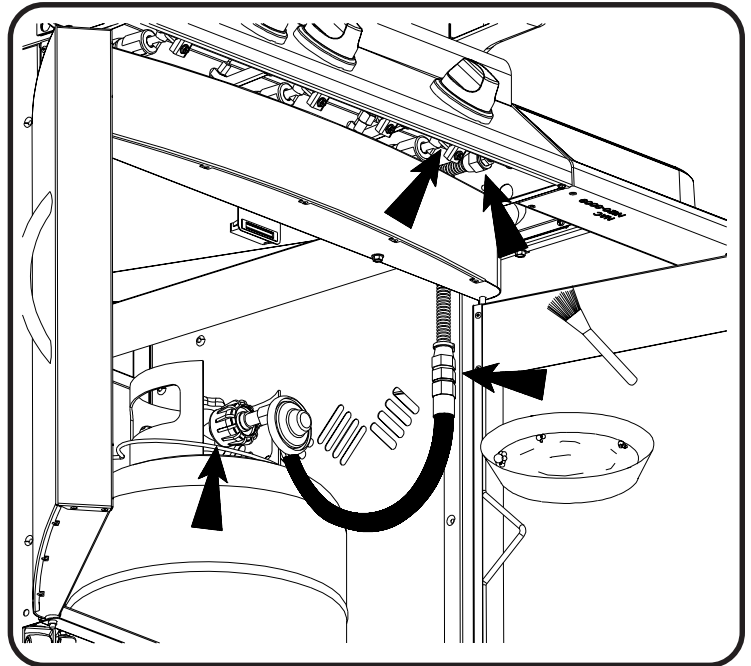
LEAK TESTING: This must be done before initial use, annually and whenever any gas components are replaced or serviced. Do not smoke while performing this test, and remove all sources of ignition. See *Leak Testing Diagram* for areas to check.

1. Turn all burner controls to off. Turn supply valve on.
2. Brush a half and half solution of liquid soap and water onto all joints and connections of the regulator, hose, manifolds and valves.
3. Bubbles will indicate a gas leak. Either tighten the loose joint or have the part replaced with one recommended by the customer care department.
4. If the leak cannot be stopped, shut off the gas supply, disconnect it and have the barbecue inspected by your gas supplier or dealer. Do not use the appliance until the leak has been corrected.
5. Turn off gas supply.



A LEAK TEST MUST BE PERFORMED AT THE FOLLOWING TIMES:

- BEFORE INITIAL USE EVEN IF THE GRILL WAS DEALER ASSEMBLED.
- AT LEAST ONCE PER YEAR.
- WHENEVER ANY GAS COMPONENT HAS BEEN REPLACED.



PARTS LIST

Item	Part #	Description	485
1	N135-0024K	left side lid casting	x
2	N385-0129	NAPOLEON logo	x
3	W450-0005	logo spring clips	x
4	N510-0010	black silicone lid bumper	x
5	N685-0003	temperature gauge	x
6	N051-0004	temperature gauge bezel	x
7	N335-0042	stainless steel lid insert	x
8	N585-0040	heat shield lid	x
9	N010-0504	lid handle	x
10	N135-0025K	right side lid casting	x
11	N570-0015	lid pivot screw	x
12	N010-0502	hood assembly	x
13	N570-0008	#8 x 1/2" screw	x
14	N570-0073	1/4-20 x 3/8" screw	x
15	N735-0003	1/4" lockwasher	x
16	N520-0023	w arming rack	x
17	N305-0058	cooking grids - stainless rod	x
18	N305-0057	sear plate	x
19	N010-0529	stainless steel side shelf - right	x
20	N120-0009	LUXIDIO side shelf end cap, right	x
21	N570-0080	#14 x 1/2" screw	x
21a	N570-0082	1/4-20 x 5/8" screw	x
22	N010-0528	stainless steel side shelf - left	x
23	N120-0008	LUXIDIO side shelf end cap, left	x
24	N500-0035K	side burner plate	x
25	N100-0037	side burner	x
26	N335-0043	side burner lid	x
27	N305-0059	side burner grate	x
28	N555-0019	side burner lid pivot rod	x
29	N100-0036	main burner	x
30	N080-0202	main burner cross light bracket	x
31	N475-0199	rotisserie mount	x
32	N010-0500	base	x
33	N010-0501	drip pan	x
34	N160-0014	grease tray holder	x
35	62007	replacement grease trays (5 pieces)	x
36	N200-0077P	back cover	x
37	N475-0181	control panel	x
38	N380-0011	control knob	x
39	N051-0003	control knob bezel	x
40	N530-0003	1-outlet regulator	p
	N345-0001	10ft n/g hose c/w quick disconnect	n
41	N010-0507	manifold assembly c/w valves	p
	N010-0508	manifold assembly c/w valves	n
42	N720-0044	manifold flex connector	x
43	N255-0027	union fitting 3/8" - 3/8"	x
44	N725-0034	main burner valve c/w #56 orifice	p
	N725-0035	main burner valve c/w #52 orifice	n
45	N725-0032	side burner valve	p
	N725-0033	side burner valve	n
	N455-0049	side burner orifice #62	p
	N455-0050	side burner orifice #54	n
	N720-0055	side burner supply tube	x

x - standard
x - compris

p - propane units only
n - natural gas units only
ac - accessory

p - appareils propane seulement
n - appareils gaz naturel seulement
ac - accessoires

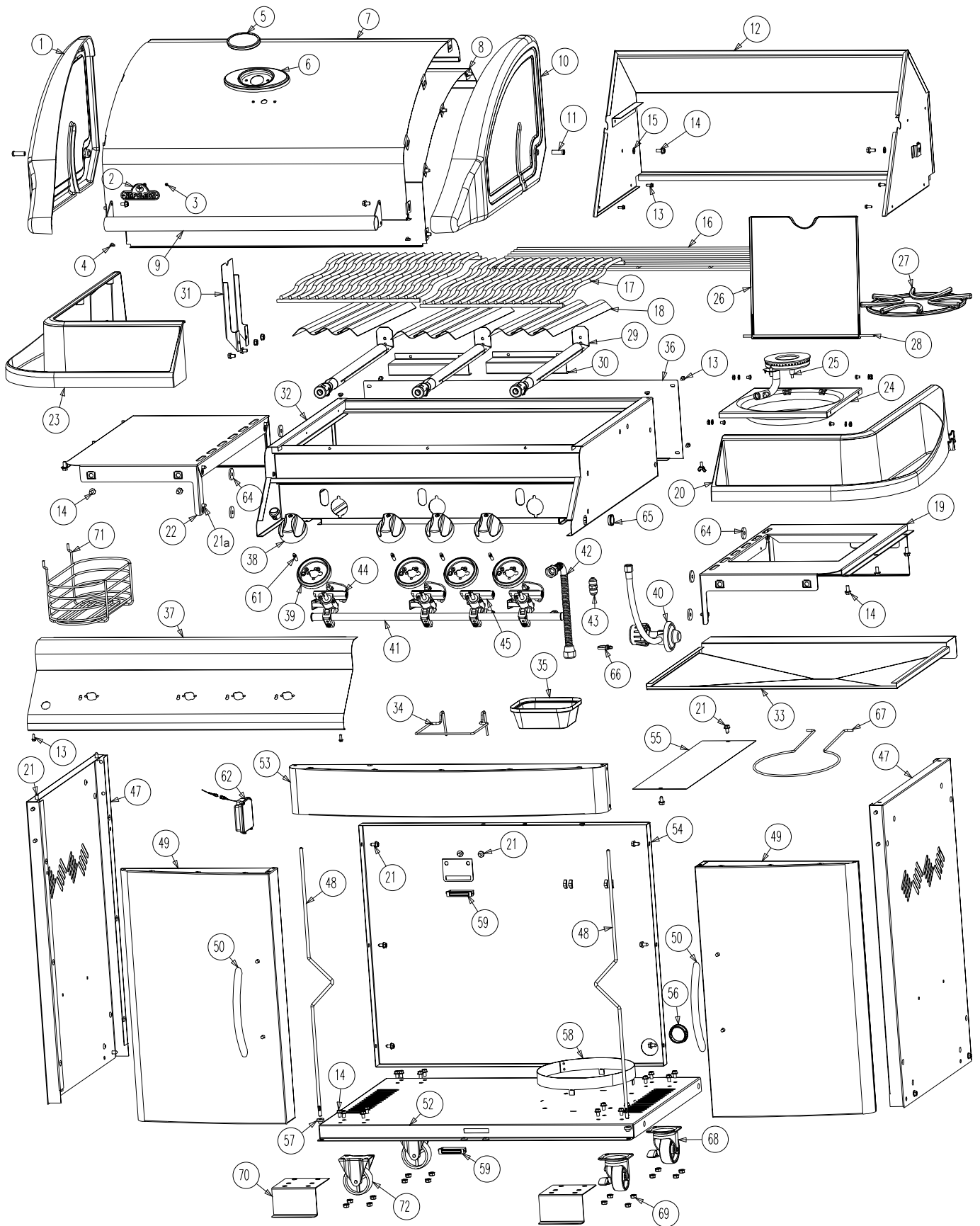
PARTS LIST

Item	Part #	Description	485
47	N475-0183P	left/right side panel cabinet enclosure	x
48	N555-0018	door pivot rod	x
49	N010-0506	cart door assembly	x
50	N325-0048	door handle	x
	N570-0073	door handle screw s	x
52	N590-0147P	bottom shelf	x
53	N010-0505	front cabinet support	x
54	N475-0184P	rear cart panel	x
55	N585-0041P	heat shield	p
56	N105-0002	snap bushing	x
57	N105-0011	door bushings	x
58	N655-0094P	tank ring support	p
59	N430-0002	magnetic catch	x
	N020-0122	main assembly baggie	x
61	N750-0020	w iring harness led,	x
62	N190-0001	battery pack	x
	W043-0002	battery "AA'	x
64	N735-0001	insulated w asher	x
	N105-0001	bushing 7/8"	x
66	N640-0001	hose retainer clip	x
67	N160-0015	propane tank clip	p
68	N130-0012	revolving caster	x
69	N450-0027	locking nut 1/4-20	x
70	N080-0212	stabilizer brackets	x
71	N590-0164	condiment basket	x
72	N130-0013	non revolving caster	x
	N370-0454	rotisserie kit	ac
	N555-0020	rotisserie spit	ac
	63485	vinyl cover	ac
	56017	stainless steel griddle	ac
	67730	charcoal tray	ac

x - standard
x - compris

p - propane units only
n - natural gas units only
ac - accessory

p - appareils propane seulement
n - appareils gaz naturel seulement
ac - accessoires





FAX TO: 705 727 4282

GOURMET GRILLS

Award Winning Products

ACCESSORIES & PARTS ORDER FORM

PLEASE PRINT CLEARLY

CONTACT NAME: _____

SHIP TO : _____

TEL : _____

FAX : _____

EMAIL: _____

VISA OR MASTERCARD # : _____ EXPIRY DATE: _____

SIGNATURE: _____

QUANTITY	PART NUMBER	DESCRIPTION

TAXES MAY APPLY
SHIPPING EXTRA

IF CONFIRMATION IS REQUIRED PLEASE INCLUDE A FAX NUMBER OR EMAIL ADDRESS

APPOSEZ LÉTIQUETTE DU NUMERO DE SERIE DU CARTON



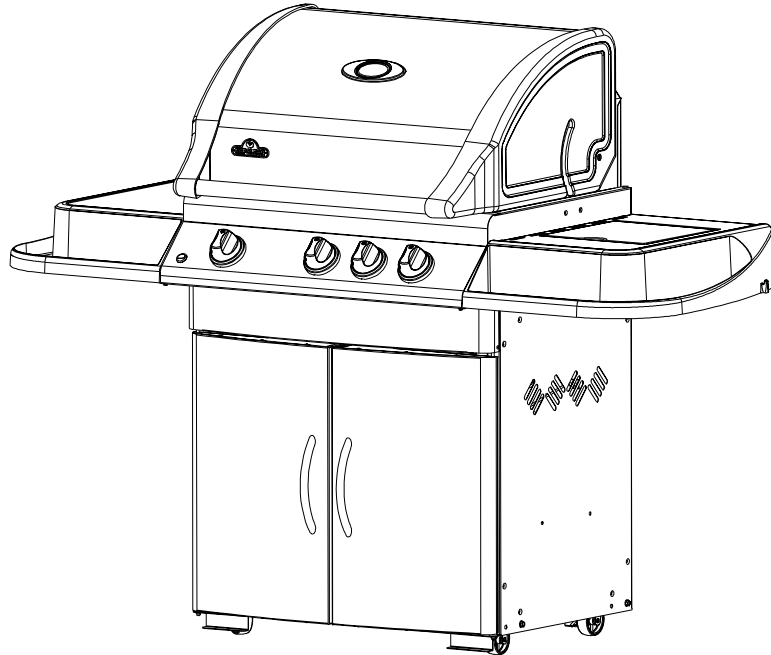
N° de série
N° DE MODÈLE

XXXXXX000000



LE GRIL DU GOURMET

Produits Lauréats



INSTRUCTIONS D'INSTALLATION ET D'OPÉRATION

MIRAGE 485

GRIL À GAZ EXTÉRIEUR EN ACIER INOXYDABLE

NOTE À L'INSTALLATEUR :
LAISSEZ CES INSTRUCTIONS
AU PROPRIÉTAIRE DU GRIL
POUR CONSULTATION
ULTÉRIEURE.

 **DANGER**

SI VOUS DÉTECTEZ UNE ODEUR DE GAZ :

- Fermez l'alimentation en gaz à l'appareil.
- Éteignez toute flamme nue.
- Ouvrez le couvercle.
- Si l'odeur persiste, éloignez-vous de l'appareil et appelez immédiatement votre fournisseur de gaz ou le service des incendies.

NE TENTEZ PAS D'ALLUMER CET APPAREIL AVANT D'AVOIR LU LA SECTION SUR LES INSTRUCTIONS D'ALLUMAGE DE CE MANUEL.



NAPOLEON APPLIANCE CORPORATION
214 BAYVIEW DR., BARRIE, ONTARIO, CANADA L4N 4Y8 TÉLÉPHONE : 705-726-4278
TÉLÉCOPIEUR : 705-725-2564 COURRIEL : care@nac.on.ca
SITE WEB : www.napoleongrills.com

N415-0156 JAN28/08

MERCI D'AVOIR CHOISI NAPOLÉON

Les produits NAPOLÉON sont conçus avec des composants et des matériaux de qualité supérieure, assemblés par des artisans qualifiés qui sont fiers de leur travail. Le brûleur et le montage de la soupape subissent un test de détection de fuites et d'allumage à une station de test de qualité. Ce gril a été soigneusement inspecté par un technicien qualifié avant d'être emballé et expédié pour garantir que vous, le client, recevez le produit de qualité dont vous vous attendez de NAPOLÉON.

Chez Napoléon, notre priorité c'est vous, « notre important client ». Notre objectif est de vous fournir les outils nécessaires pour rendre inoubliable cette expérience de cuisson sur le gril. Ce manuel vous est fourni pour vous aider lors de l'assemblage, l'installation et l'entretien de votre nouveau gril. Il est important de lire et de comprendre ce manuel en entier avant d'utiliser votre nouveau gril afin de vous assurer de comprendre parfaitement toutes les consignes de sécurité et toutes les caractéristiques de votre gril. En suivant attentivement les instructions de ce manuel, vous profiterez de votre gril pendant de nombreuses années, et ce, sans tracas. Si nous ne répondons pas à vos attentes pour quelque raison que ce soit, veuillez contacter notre département du service aux consommateurs au 1-877-753-6294 entre 9 h et 17 h (heure normale de l'Est) ou visitez notre site Web.



GARANTIE À VIE LIMITÉE DU PRÉSIDENT DES GRILS À GAZ NAPOLÉON

NAPOLÉON garantit votre nouveau gril à gaz contre tous défauts concernant les matériaux et la fabrication tant et aussi longtemps que vous êtes propriétaire du gril. Cette garantie couvre : la fonte d'aluminium (excluant la peinture), les plateaux LUXIDIO®, les roues, les brûleurs en acier inoxydable, les appliqués pour couvercle en acier inoxydable et les poignées de couvercle, sous réserve des conditions suivantes. Pendant les cinq premières années, NAPOLÉON fournira gratuitement les pièces de rechange selon son choix. De la sixième année à vie, NAPOLÉON fournira les pièces de rechange à 50 % du prix de détail courant.

Les composants tels que les plaques de brûleur en acier inoxydable, les grilles de cuisson en acier inoxydable, soupapes avec système d'allumage intégrées, les jauges de température, les boutons de contrôle, et les soupapes en laiton sont couverts et NAPOLÉON fournira les pièces gratuitement durant les deux premières années de la garantie limitée.

Les composants tels que le régulateur, les roulettes, les grilles de réchaud, les boyaux et les raccords, i-GLOW™, les pièces d'assemblage et les accessoires sont couverts et NAPOLÉON fournira les pièces gratuitement durant la première année de la garantie limitée.

CONDITIONS ET LIMITATIONS

« NAPOLÉON garantit ses produits contre les défauts de fabrication à l'acheteur d'origine seulement, à condition que l'achat ait été fait par l'entremise d'un détaillant autorisé NAPOLÉON et sous réserve des conditions et limitations suivantes. »

Cette garantie du fabricant n'est pas transférable et ne peut être prolongée ou étendue par aucun de nos représentants quelle qu'en soit la raison.

Le gril à gaz doit être installé par un installateur ou entrepreneur qualifié. L'installation doit être faite conformément aux instructions d'installation incluses avec le produit et à tous les codes d'incendie et de construction locaux et nationaux.

Cette garantie limitée ne couvre pas les dommages causés par un mauvais usage, un manque d'entretien, des feux de graisse, un environnement inadéquat, un accident, des altérations, des abus ou de la négligence, et l'installation de pièces d'autres fabricants annulera cette garantie.

Cette garantie limitée ne couvre pas non plus les égratignures, les bossellements, les surfaces peintes, la corrosion ou la décoloration causés par la chaleur ou les produits d'entretien chimiques et abrasifs, ni l'écaillage des pièces en porcelaine émaillée ni les composants utilisés dans l'installation du gril à gaz.

Dans le cas d'une détérioration des composants causant un mauvais fonctionnement de l'appareil pendant la période couverte par la garantie, les pièces de rechange seront fournies par Napoléon.

Au cours de la première année seulement, cette garantie s'étend à la réparation ou au remplacement des pièces garanties dont les matériaux ou la fabrication sont défectueux sous condition que le produit ait été utilisé conformément aux instructions de fonctionnement et dans des conditions normales.

Après la première année, concernant cette Garantie à Vie Limitée du Président, NAPOLÉON peut, à sa discrétion, se libérer entièrement de toutes obligations concernant cette garantie en remboursant à l'acheteur d'origine le prix de gros de toute pièce garantie qui est défectueuse.

NAPOLÉON ne sera pas responsable de l'installation, de la main-d'oeuvre ou autres coûts ou dépenses relatives à la réinstallation d'une pièce garantie, et de telles dépenses ne sont pas couvertes par cette garantie.

Nonobstant toutes les dispositions contenues dans cette Garantie à Vie Limitée du Président, la responsabilité de NAPOLÉON sous cette garantie est définie comme ci-dessus et elle ne s'appliquera à aucun dommage accidentel, consécutif ou indirect.

Cette garantie définit les obligations et responsabilités de NAPOLÉON concernant le gril à gaz NAPOLÉON; toutes autres garanties exprimées ou implicites concernant ce produit, ses composants ou accessoires sont exclues.

NAPOLÉON n'endosse ni n'autorise aucun tiers à assumer en son nom toute autre responsabilité concernant la vente de ce produit. NAPOLÉON ne sera pas responsable d'une surchauffe, de l'extinction du brûleur causée par des conditions environnementales telles que des vents forts ou une ventilation inadéquate.

Tous dommages causés au gril par les intempéries, la grêle, un usage abusif ou l'utilisation de produits chimiques ou de produits d'entretien nuisibles ne seront pas la responsabilité de NAPOLÉON.

La facture ou sa copie sera requise ainsi que le numéro de série et de modèle du gril lors d'une réclamation auprès de NAPOLÉON.

NAPOLÉON se réserve le droit de demander à son représentant d'inspecter tous produits ou pièces avant d'honorer toute réclamation.

NAPOLÉON n'assurera aucuns frais de transport, de main-d'oeuvre ou taxes d'exportation.

CONSIGNES DE SÉCURITÉ



AVERTISSEMENT

N'entreposez pas et n'utilisez pas d'essence ou autres liquides et vapeurs inflammables à proximité de cet appareil ou de tout autre appareil. Une bonbonne de propane non branchée ne devrait pas être entreposée à proximité de cet appareil ou de tout autre appareil. Maintenez l'endroit propre et exempt de matériaux combustibles.



AVERTISSEMENT

Si ces instructions ne sont pas suivies, des dommages matériels, des blessures corporelles ou des pertes de vie pourraient s'ensuivre. Lisez et respectez tous les avertissements et les instructions de ce manuel avant de faire fonctionner le gril.

PRATIQUES SÉCURITAIRES D'UTILISATION



AVERTISSEMENT



DANGER : LISEZ ATTENTIVEMENT TOUTES LES INSTRUCTIONS AVANT DE FAIRE FONCTIONNER LE GRIL. SI CES INSTRUCTIONS NE SONT PAS SUIVIES À LA LETTRE, UN INCENDIE POURRAIT S'ENSUIVRE, CAUSANT DES BLESSURES GRAVES OU LA MORT.

- Lisez le manuel d'instructions en entier avant d'utiliser le gril.
- Ce gril ne devra être modifié en aucun cas.
- Suivez attentivement les instructions d'allumage lorsque vous faites fonctionner le gril.
- Lorsque le gril n'est pas utilisé, l'alimentation en gaz doit être fermée à la bonbonne de propane ou à la soupape d'alimentation du gaz naturel.
- Tenez les enfants et les animaux éloignés du gril chaud; NE laissez PAS les enfants grimper dans le cabinet.
- Ne laissez pas le gril sans surveillance lorsqu'il est utilisé.
- Ne déplacez pas le gril lorsqu'il est chaud ou qu'il fonctionne.
- Ce gril à gaz ne doit pas être installé dans ou sur des véhicules récréatifs et/ou des bateaux.
- Ce gril doit être utilisé uniquement à l'extérieur, dans un endroit bien aéré et ne doit jamais être utilisé à l'intérieur d'un bâtiment, d'un garage ou de tout autre endroit fermé.
- Respectez les dégagements recommandés aux matériaux combustibles (16" à l'arrière du gril et 7" sur les côtés). Un dégagement plus grand (24") est recommandé à proximité d'un recouvrement de vinyle ou d'une grande surface vitrée.
- En tout temps, gardez les ouvertures d'aération du cabinet de la bonbonne libres et exemptes de débris.
- Ne placez pas le gril sous une construction combustible.
- N'installez pas le gril dans un endroit venteux. Les vents forts nuiront à la performance de cuisson de votre gril.
- Lorsque le gril doit être entreposé à l'intérieur, la bonbonne de propane doit être débranchée du gril et entreposée à l'extérieur dans un endroit bien aéré. Les bonbonnes de propane débranchées ne doivent en aucun temps être entreposées à l'intérieur d'un bâtiment, d'un garage ou de tout autre endroit fermé.
- Inspectez le boyau d'alimentation en gaz avant chaque utilisation. S'il montre des signes de fendillement excessif ou d'usure, il doit être remplacé par un ensemble de rechange spécifié par le fabricant avant d'utiliser le gril.
- N'entreposez pas de bonbonne de propane supplémentaire sous ce gril ou à proximité.
- Ne remplissez jamais la bonbonne à plus de 80 % de sa pleine capacité.
- Ne tentez pas d'utiliser une bonbonne qui n'est pas équipée d'un raccord de type QCC1.
- Faites un test de détection de fuites avant la première utilisation, même si le gril a été acheté déjà assemblé, annuellement et à chaque fois qu'une pièce du système de gaz est remplacée.
- N'utilisez pas de gaz naturel avec un appareil conçu pour le propane liquide.
- N'utilisez jamais d'essence pour briquets dans un gril à gaz.
- Utilisez des briquettes de charbon seulement avec un bac à charbon Napoléon conçu pour cet appareil.
- Les boutons de contrôle du brûleur doivent être fermés lorsque vous ouvrez la soupape d'alimentation en gaz.
- N'allumez pas le brûleur avec le couvercle fermé.
- N'utilisez pas le brûleur arrière en même temps que le brûleur principal.
- Le couvercle doit être fermé lors de la période de préchauffage du gril.
- Ne passez pas le boyau d'alimentation sous le tiroir d'égouttement - le dégagement requis entre le boyau et le fond de la cuve doit être maintenu.
- Nettoyez le tiroir d'égouttement et les plaques du brûleur régulièrement pour éviter les feux de graisse.
- Assurez-vous que les plaques de brûleur sont installées de façon adéquate, conformément aux instructions d'installation.
- N'utilisez pas les tablettes latérales pour entreposer des briquets, des allumettes ou autres matières inflammables.
- Gardez les boyaux d'alimentation en gaz éloignés des surfaces chauffantes.
- Gardez les fils électriques éloignés de l'eau ou des surfaces chauffantes.
- Inspectez les tubes de venturi des brûleurs infrarouges pour des toiles d'araignées ou toutes autres obstructions régulièrement. Nettoyez les tubes si vous découvrez des obstructions.
- Cet gril de cuisson extérieur au gaz et sa soupape d'arrêt doivent être débranchés de la ligne d'alimentation en gaz pendant les essais de pression de ce système lorsque les pressions d'essai excèdent 1/2 lb/po² (3,5 kPa).
- Cet gril de cuisson extérieur au gaz doit être séparé de la ligne d'alimentation en gaz en fermant la soupape d'arrêt manuelle pendant tout essai de pression du système d'alimentation en gaz lorsque la pression est de 1/2 lb/po² (3,5 kPa) ou moins.

SPÉCIFICATIONS DE LA BONBONNE / BRANCHEMENT DU GAZ



ATTENTION

Ce gril à gaz est certifié selon les normes nationales canadiennes et américaines, CAN/CSA-1.6-2005 et ANSI Z21.58 -2005 pour les grils à gaz extérieurs et son installation doit être conforme aux codes locaux. En l'absence de codes locaux, l'installation doit être conforme au Code d'installation du gaz CAN/CGA-B149.1 au Canada ou au National Fuel Gas Code, NFPA54/ANSI Z223.1 aux États-Unis.

Si un moteur de rôtissoire est utilisé, il doit être mis à la terre conformément aux codes locaux. En l'absence de tels codes, conformément à la version courante du CODE ÉLECTRIQUE CANADIEN CSA C22.1 au Canada ou le NATIONAL ELECTRICAL CODE ANSI/NFPA 70 aux États-Unis.

PROPOSITION 65 DE LA CALIFORNIE : La combustion des gaz crée des sous-produits. Parmi ces derniers, certains se trouvent sur la liste des substances qui, selon l'État de la Californie, peuvent causer le cancer ou des dommages liés à la reproduction. Lorsque vous cuisinez avec le gaz, assurez-vous qu'il y ait une aération suffisante pour l'appareil afin de réduire l'exposition à ces substances.

SPÉCIFICATIONS POUR LA BONBONNE DE PROPANE : Une bonbonne bosselée ou rouillée peut être dangereuse et devrait être vérifiée par votre fournisseur de propane. N'utilisez jamais une bonbonne avec une soupape endommagée. Utilisez uniquement une bonbonne de propane fabriquée et étiquetée selon les normes pour les bonbonnes de propane de la Commission canadienne des Transports (CCT) ou du US Department of Transportation (DOT). Cet appareil a été conçu pour être utilisé avec une bonbonne de propane de 20 livres (9,1 kg) uniquement (non fournie).

La bonbonne de propane doit être équipée d'une soupape d'arrêt se raccordant à une soupape de type QCC1. Une valve de sécurité doit être branchée directement sur la bonbonne. Le système d'alimentation de la bonbonne doit être installé de manière à permettre l'évacuation des vapeurs et doit avoir un collet pour protéger la soupape de la bonbonne. La bonbonne doit être munie d'un dispositif de détection de trop-plein certifié.

BRANCHEMENT DE LA BONBONNE : Assurez-vous que le boyau du régulateur de gaz est sans anomalie. Enlevez le bouchon sur la soupape de gaz à la bonbonne. Branchez le régulateur QCC1 sur la soupape de gaz QCC1. Serrez à la main dans le sens des aiguilles d'une montre. N'utilisez pas d'outils. Faites un test de détection de fuites sur tous les raccords avant d'utiliser le gril. Un test de détection de fuites doit être fait annuellement et à chaque fois qu'une bonbonne est branchée ou qu'une pièce du système de gaz est remplacée.

INSTALLATION DE LA BONBONNE DE PROPANE :

Vérifiez que la soupape de la bonbonne est fermée en tournant la poignée dans le sens des aiguilles d'une montre.

Vérifiez que les boutons de contrôle des brûleurs du gril sont en position fermée.

Ouvrez les portes du cabinet.

Placez la bonbonne dans le support, au bas de la tablette.

Placez la bonbonne de façon à ce que la soupape soit orientée vers l'avant de l'appareil.

Attachez le boyau du régulateur.

IMPORTANT : Utilisez uniquement le régulateur de pression et les boyaux fournis avec ce gril. Les régulateurs de pression et les boyaux de rechange doivent être ceux recommandés par le fabricant. N'entrez pas de bonbonne de propane ou de bonbonne de rechange sur l'étagère sous le gril. **Le régulateur doit être fixé de façon à ce qu'aucune partie du tuyau ne touche le dessous du gril ou du tiroir d'égouttement.** Si vous ne suivez pas ces instructions à la lettre, un feu en résultera.

Le régulateur fournit une pression de 11 pouces de colonne d'eau au gril. Le gril possède un raccord de type QCC1. Les bonbonnes utilisées avec ce gril doivent être munies d'une soupape QCC1. Une soupape QCC1 possède un raccord qui empêche l'écoulement du gaz jusqu'à ce qu'un joint étanche soit obtenu. Elle est aussi équipée d'un dispositif de contrôle d'écoulement du gaz. Afin d'obtenir un débit maximal de gaz, **les soupapes du gril doivent être fermées lorsque vous ouvrez la soupape de la bonbonne.**

BRANCHEMENT AU GAZ NATUREL : Ce gril à gaz naturel est équipé d'un boyau d'alimentation de 10 pieds (incluant un système de déconnexion rapide) conçu pour un branchement au gaz naturel et certifié pour une utilisation extérieure. Ce gril à gaz a été conçu pour fonctionner à une pression d'alimentation de 7 pouces de colonne d'eau. Les tuyaux et les soupapes en amont du système de déconnexion rapide ne sont pas fournis.

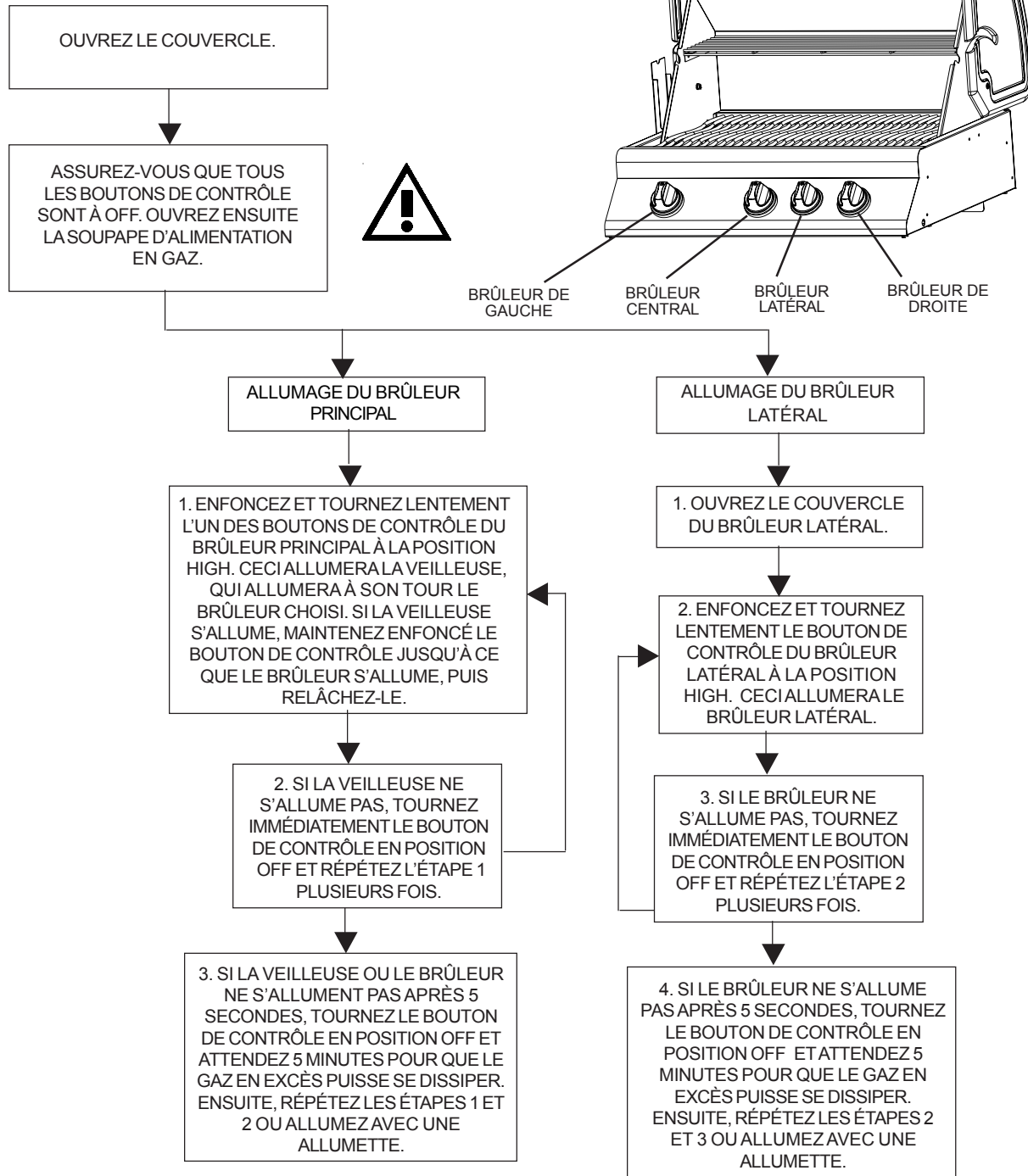
Le système de déconnexion rapide ne doit pas être installé verticalement et une soupape d'arrêt manuelle, facilement accessible, doit être installée en amont, aussi près que possible du système de déconnexion rapide. Le bout évasé du tuyau doit être raccordé au raccord à l'extrémité du tube flexible tel qu'illustré dans le schéma de *branchement du tuyau de gaz naturel*. Serrez en utilisant deux clés. **(N'utilisez pas d'enduits d'étanchéité pour raccords filetés ou de composé pour raccord de tuyau.) Ces branchements doivent être effectués par un installateur de gaz qualifié.** Faites un test de détection de fuites sur tous les raccords avant d'utiliser le gril.

IMPORTANT

- L'installation doit être effectuée par un installateur certifié pour le gaz et tous les raccordements doivent être testés pour des fuites avant de faire fonctionner le gril.
- Ne pas passer le tuyau d'alimentation sous le tiroir d'égouttement.
- Ne passez pas le boyau entre l'espace dans la tablette inférieure et le panneau arrière.
- N'acheminez pas le boyau par-dessus le panneau arrière.
- Assurez-vous que tous les raccordements de boyaux sont serrés à l'aide de deux clés. N'utilisez pas de ruban de Téflon ou de composé pour raccord de tuyau sur les raccordements.
- Assurez-vous que le boyau ne touche à aucune surface à haute température sinon il risque de fondre, de provoquer une fuite et causer un feu.
- Vérifiez pour des fuites de gaz en appliquant une solution d'eau savonneuse selon les instructions de détection de fuites dans le manuel.
- Ne rangez pas le surplus de boyau dans le cabinet, il y a un plus grand risque que le boyau fasse contact avec une surface chaude, le boyau peut fondre et une fuite peut se produire, causant ainsi un feu.

INSTRUCTIONS D'ALLUMAGE

! LES INSTRUCTIONS D'ALLUMAGE SE TROUVENT ÉGALEMENT SOUS LE COUVERCLE DU BRÛLEUR LATÉRAL.



La bonbonne est équipée d'un dispositif de contrôle d'écoulement du gaz. À moins que tous les boutons de contrôle des brûleurs soient fermés avant d'ouvrir la bonbonne, seules de petites flammes seront obtenues.



Si vous allumez l'appareil avec une allumette, fixez-la dans la tige d'allumage fournie. Tenez l'allumette allumée et abaissez-la dans le grill jusqu'en dessous des plaques de brûleur et tournez la soupape du brûleur correspondant à "HIGH".



FONCTIONNEMENT DU GRIL

PROCÉDURE DE RODAGE

Lorsqu'il est allumé pour la première fois, le gril dégagera une légère odeur. Ceci est un phénomène normal et temporaire causé par l'évaporation des peintures et lubrifiants internes utilisés dans le processus de fabrication et ne se reproduira plus. Allumez simplement les brûleurs de cuve à « high » pendant une demi-heure avec le couvercle fermé.

UTILISATION DU BRÛLEUR PRINCIPAL :

Lorsque vous faites saisir des aliments, il est recommandé de préchauffer l'appareil en faisant fonctionner tous les brûleurs principaux en position élevée (« high ») avec le couvercle fermé pendant environ 15 minutes. Les aliments à cuisson courte (poisson, légumes) peuvent être grillés avec le couvercle ouvert. Une cuisson avec le couvercle fermé procurera des températures plus élevées et plus constantes qui réduiront la période de cuisson et cuiront la viande de façon plus égale. Lorsque vous faites cuire des viandes très maigres telles que des poitrines de poulet ou du porc maigre, vous pouvez huiler les grilles de cuisson avant le préchauffage, ce qui aura pour effet d'empêcher la viande de trop coller aux grilles. Cuire des viandes avec beaucoup de gras peut causer des poussées de flamme. Coupez l'excès de gras ou réduisez la température pour remédier à ce problème. En cas de poussées de flamme, éloignez les aliments de la flamme et réduisez la chaleur. Gardez le couvercle ouvert. Pour des instructions plus détaillées, veuillez consulter votre « Livre de recettes quatre saisons » de Napoléon.

CUISSON DIRECTE :

Placez les aliments à cuire sur la grille de cuisson, directement au-dessus de la chaleur. Cette méthode est habituellement utilisée pour faire saisir les aliments ou pour la nourriture nécessitant une courte cuisson - les hamburgers, les steaks, le poulet, les légumes, etc. La nourriture est d'abord saisie afin d'emprisonner les jus et la saveur, puis la température est réduite afin de terminer la cuisson selon vos préférences.

CUISSON INDIRECTE :

Avec un ou plusieurs brûleurs en fonction, placez la nourriture à cuire sur la grille au-dessus d'un brûleur inactif. La chaleur circule autour de l'aliment, ce qui le fait cuire lentement et de façon égale. Ce type de cuisson ressemble à la cuisson dans un four et est généralement utilisé pour les plus grosses pièces de viande telles que les rôtis, les poulets ou les dindes, mais il peut aussi être utilisé pour cuire la nourriture ayant tendance à produire des poussées de flamme. Ce type de cuisson diminuera la température; le ralentissement de la cuisson donnera une viande plus tendre à chaque fois.

PROTECTION DES BRÛLEURS INFRAROUGES - Les brûleurs infrarouges de votre gril sont conçus pour durer longtemps. Cependant, vous devez respecter certaines consignes pour éviter que leur surface en céramique ne se fissure, ce qui causerait leur mauvais fonctionnement.

- Empêchez tout contact direct de l'eau avec votre brûleur en céramique.
- Ne laissez pas d'objets durs cogner le brûleur infrarouge.
- Empêchez tout contact de l'eau froide (pluie, arroseur, boyau, etc.) avec les brûleurs en céramique lorsqu'ils sont chauds. Une grande différence de température peut causer des fissures dans la tuile de céramique.

Les dommages causés par le non respect de ces étapes ne sont pas couverts par la garantie du gril.

UTILISATION DU BRÛLEUR ARRIÈRE: Enlevez la grille-réchaud avant de l'allumer. Les grilles de cuisson doivent également être enlevées si elles interfèrent avec l'utilisation de la rôtissoire. Ce gril est équipé d'un brûleur arrière de 13,500 BTU. Le brûleur arrière est conçu pour être utilisé avec un ensemble de rôtissoire disponible chez votre détaillant. Consultez les instructions de montage de l'ensemble rôtissoire pour plus de détails. Pour placer le contre-poids au bon endroit enlevez le moteur de la rôtissoire de son support. Placez la broche qui supporte la viande sur les deux supports à l'intérieur du gril. Le morceau de viande se placera naturellement avec son côté le plus pesant vers le bas. Fixez le contre-poids en place en plaçant le bras vers le haut.

Vous devez ensuite glisser le poids vers le haut ou vers le bas afin de contrebalancer le poids de la viande puis serrez- le en place. Remplacez le moteur et commencez la cuisson. Placez la lèchefrite sous la viande pour récupérer le jus de cuisson qui servira pour arroser la viande et créer ainsi une délicieuse sauce naturelle. On peut également ajouter un peu d'eau si nécessaire pour favoriser l'arrosage. Afin de capturer le jus à l'intérieur de la viande, réglez le brûleur arrière à "high" jusqu'au brunissement puis, réduisez ensuite la chaleur pour une cuisson complète. Gardez le couvercle fermé pour obtenir de meilleurs résultats. Vos rôtis et volailles seront parfaitement dorés à l'extérieur tout en restant tendres et juteux à l'intérieur. Par exemple, un poulet de 3 livres sur la rôtissoire sera cuit dans approximativement 1h30 à une température entre moyenne et haute. Consultez votre "Livre de recettes toutes saisons" de NAPOLEON pour de plus amples informations.

UTILISATION DU BRÛLEUR LATÉRAL :

Le brûleur latéral peut être utilisé comme tout brûleur de cuisinière : pour les sauces, les soupes, etc. Le gril à gaz devrait être situé de telle sorte que le brûleur latéral soit protégé du vent, car ce dernier nuira à la performance de cuisson de votre gril. N'utilisez **PAS** le brûleur latéral pour faire frire la nourriture, car le fait de cuire avec de l'huile peut créer une situation dangereuse.

INSTRUCTIONS D'ENTRETIEN ET DE NETTOYAGE

Il est recommandé de faire inspecter et entretenir ce gril à gaz annuellement par un technicien qualifié.

Note : L'acier inoxydable a tendance à s'oxyder ou à tacher en présence de chlorures et de sulfures que l'on retrouve particulièrement dans les zones côtières ainsi que dans les environnements chauds et humides tels que les piscines et les spas. Ces taches peuvent être prises pour de la rouille mais il peuvent être facilement enlevées et même évitées. Afin de prévenir les taches, nettoyez toutes les surfaces en acier inoxydable à toutes les trois à quatre semaines ou au besoin avec de l'eau douce et un nettoyeur à acier inoxydable.

•N'utilisez pas de nettoyeur haute pression pour nettoyer toute partie de cet appareil.

•Assurez-vous que les brûleurs sont éteints avant de nettoyer. Évitez tout contact avec les surfaces chaudes. Nettoyez votre gril dans un endroit où les produits de nettoyage n'endommageront pas votre patio, pelouse ou terrasse. N'utilisez pas de produit à nettoyer les fours pour nettoyer votre gril à gaz. N'utilisez pas un four autonettoyant pour nettoyer les grilles de cuisson ou tout autre composant de votre gril à gaz. La sauce BBQ et le sel sont corrosifs et causeront une détérioration rapide de votre gril à gaz à moins de le nettoyer régulièrement.

•Fermez le gaz à la source et débranchez l'appareil avant d'effectuer un entretien. L'entretien devrait être effectué seulement lorsque le gril est froid pour éviter toute possibilité de brûlure. Un test de détection de fuites devrait être effectué annuellement ou à chaque fois qu'une pièce du système de gaz est remplacée.

RÉGLAGE DE L'AIR DE COMBUSTION (ceci doit être effectué par un installateur de gaz qualifié) : Le volet d'air est pré réglé en usine et ne devrait pas nécessiter d'autres réglages lorsque le gril est utilisé dans des conditions normales. Cependant, dans des conditions exceptionnelles, un réglage peut s'avérer nécessaire. Lorsque le volet d'air est réglé correctement, les flammes seront de couleur bleu foncé avec des pointes bleu pâle ou quelquefois jaunes. Si le brûleur ne reçoit pas assez d'air, les flammes seront jaunes et lâches, et produiront possiblement des dépôts de carbone.

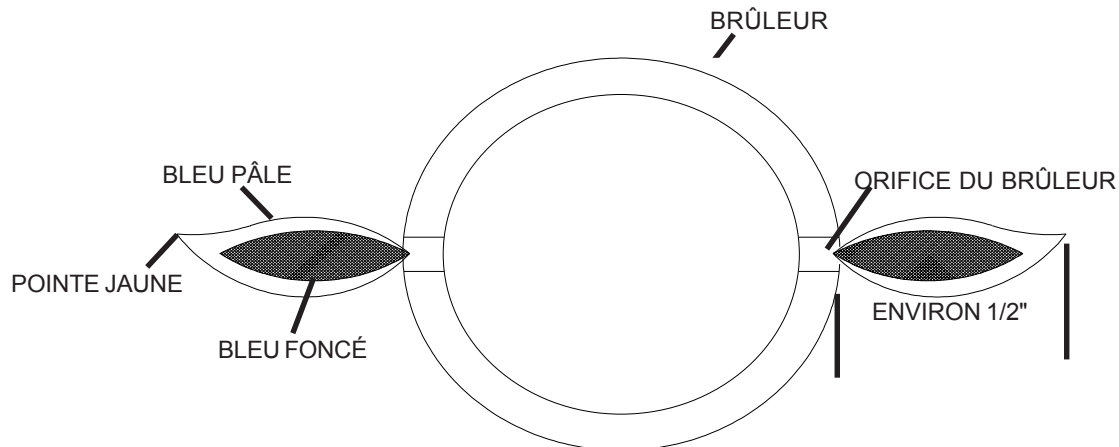
Si le brûleur reçoit trop d'air, les flammes se détacheront des brûleurs de façon irrégulière et causeront possiblement des problèmes d'allumage.

1. Pour ajuster le volet d'air, retirez les grilles de cuisson, les plaques de brûleur et laissez le couvercle ouvert. Le couvercle arrière doit être retiré pour effectuer l'ajustement du volet d'air du brûleur arrière.

2. Desserrez la vis de verrouillage du volet d'air et ouvrez ou fermez le volet d'air selon le cas. Les réglages normaux sont :

Brûleur principal	Propane	5/32"
	Gaz naturel	5/32"

3. Allumez les brûleurs et réglez-les à « high ». Inspectez visuellement les flammes. Lorsque les volets sont réglés, éteignez les brûleurs, serrez la vis de verrouillage et réinstallez les pièces qui avaient été retirées. Assurez-vous que les protecteurs contre les insectes sont installés.



NETTOYAGE DES GRILLES DE CUISSON ET DE LA GRILLE DE RÉCHAUD : Les grilles de cuisson et la grille de réchaud sont plus faciles à nettoyer durant la période de préchauffage en utilisant une brosse en laiton. Une laine d'acier peut être utilisée pour les taches les plus tenaces.

NETTOYAGE DE L'INTÉRIEUR DU GRIL : Enlevez les grilles de cuisson. Utilisez une brosse en laiton pour enlever les débris non incrustés sur les côtés de la cuve et à l'intérieur du couvercle. Grattez les plaques de brûleur avec un couteau à mastic ou un grattoir, puis utilisez une brosse en laiton pour enlever les dépôts de carbone. Retirez les plaques de brûleur et nettoyez les débris sur le brûleur à l'aide de la brosse. Nettoyez tous les débris qui se trouvent à l'intérieur du gril en les faisant tomber dans le tiroir d'égouttement. Assurez-vous que les plaques de brûleur sont réinstallées de façon adéquate. (Consultez les instructions d'assemblage pour connaître l'orientation adéquate des plaques.)

NETTOYAGE DU TIROIR D'ÉGOUTTEMENT : Sortez le tiroir d'égouttement pour en faciliter le nettoyage. Il devrait être nettoyé fréquemment (à toutes les quatre ou cinq utilisations) afin d'éviter une accumulation de graisse. La graisse et les jus de cuisson tombent dans le tiroir d'égouttement, qui se trouve sous la cuve du gril, et s'accumulent dans le récipient à graisse jetable, qui se situe sous le tiroir d'égouttement. L'accumulation de graisse peut créer un risque de feu. Ne tapissez jamais votre tiroir d'égouttement de papier d'aluminium, de sable ou de tout autre matériau, car ceci aurait pour effet de nuire au bon écoulement de la graisse. Le tiroir d'égouttement devrait être gratté à l'aide d'un couteau à mastic ou d'un grattoir en jetant les débris dans le récipient à graisse jetable. Le récipient jetable devrait être remplacé à toutes les deux à quatre semaines, selon la fréquence d'utilisation du gril. Pour vous procurer des récipients de rechange, contactez votre détaillant de grils à gaz Napoléon.

INSTRUCTIONS D'ENTRETIEN ET DE NETTOYAGE

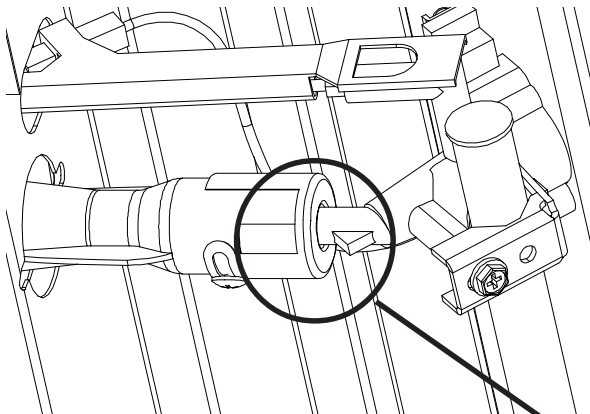
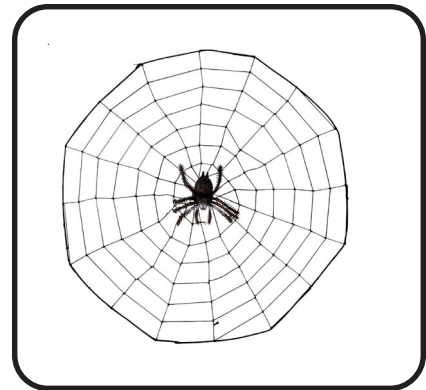
BOYAU : Vérifiez l'usure, les coupures, les craquelures ou s'il est fendu. Si vous découvrez un de ces symptômes, n'utilisez pas votre gril à gaz. Faites remplacer la pièce par votre détaillant de grils à gaz Napoléon ou par un installateur de gaz qualifié.

NETTOYAGE DE L'EXTÉRIEUR DU GRIL : N'utilisez pas de produits abrasifs pour nettoyer les pièces peintes, en porcelaine émaillée ou en acier inoxydable. Les composants en porcelaine émaillée doivent être manipulés avec soin. Le fini émaillé étant cuit, il devient comme du verre; il s'ébrêchera au moindre impact. Vous pouvez vous procurer de la peinture-émail pour retouches chez votre détaillant de grils à gaz Napoléon. Utilisez une solution d'eau savonneuse chaude pour nettoyer l'extérieur du gril pendant qu'il est encore tiède au toucher. Pour nettoyer les surfaces en acier inoxydable, utilisez un nettoyant à acier inoxydable ou un nettoyant tout usage sans abrasif. Frottez toujours dans le sens du grain. N'utilisez pas de laine d'acier, car elle égratignerait le fini. Les pièces en acier inoxydable vont décolorer de façon permanente sous l'effet de la chaleur pour habituellement prendre une teinte dorée ou brune. Cette décoloration est normale et n'affectera pas la performance du gril.

BRÛLEUR DE CUVE : Le brûleur soyez fabriqué en acier inoxydable 304 de calibre épais, mais puisqu'il est soumis à des chaleurs extrêmes et à un environnement corrosif, la corrosion superficielle finit par survenir. Utilisez une brosse en laiton pour enlever la corrosion superficielle. Nettoyez tous les orifices obstrués à l'aide d'un trombone déplié. N'agrandissez pas les orifices du brûleur. Les araignées et les insectes sont attirés par l'odeur du propane et du gaz naturel. Le brûleur est équipé d'un protecteur contre les insectes sur les venturis, ce qui réduira la possibilité que des insectes fassent leur nid à l'intérieur du brûleur, mais il n'élimine pas complètement le problème. Le nid ou la toile aura pour effet que le brûleur produira une flamme lâche de couleur jaune ou orange, ou causera un feu (retour de flamme) au niveau du venturi sous le panneau de contrôle. Pour nettoyer l'intérieur du brûleur vous devez le retirer du gril. Enlevez la vis située au centre de chaque brûleur. Soulevez l'arrière du brûleur pour enlever. Utilisez une brosse flexible de venturi pour nettoyer l'intérieur du brûleur. Secouez tous les débris hors du brûleur en les faisant sortir par l'ouverture de l'arrivée du gaz. Assurez-vous que le protecteur contre les insectes est propre, serré et exempt de fibres ou autres débris. Vérifiez également que les orifices de la soupape sont propres. N'agrandissez surtout pas les orifices. Réinstallez le brûleur.



ATTENTION AUX ARAIGNÉES



AVERTISSEMENT



Lors de la réinstallation du brûleur après le nettoyage, il est très important que la soupape / l'orifice entre dans le brûleur avant que vous allumiez votre gril à gaz. Si la soupape n'est pas à l'intérieur du brûleur, un feu ou une explosion pourrait survenir.

GUIDE DE DÉPANNAGE

Problème	Causes possibles	Solutions
Faible chaleur/petite flamme lorsque le bouton de contrôle est à « high ».	<p>Pour le propane - procédure d'allumage incorrecte.</p> <p>Pour le gaz naturel - tuyau d'alimentation trop petit.</p> <p>Pour les deux sortes de gaz - mauvais préchauffage.</p>	<p>Assurez-vous que la procédure d'allumage est suivie à la lettre. Tous les boutons de contrôle du gril doivent être fermés lorsque vous ouvrez la soupape de la bonbonne. Tournez la soupape de la bonbonne lentement pour assurer l'équilibre de la pression. Voir les instructions d'allumage.</p> <p>La grosseur du tuyau doit être conforme au code d'installation.</p> <p>Préchauffez le gril en allumant les brûleurs de cuve à « high » pendant 5 à 10 minutes.</p>
Poussées de flamme excessives/chaleur	<p>Plaques de brûleur mal installées.</p> <p>Mauvais préchauffage.</p> <p>Accumulation excessive de graisse et de cendres sur les plaques de brûleur et dans le tiroir d'égouttement.</p>	<p>Assurez-vous que les plaques sont installées avec les trous vers l'avant et les fentes en dessous. Voir les instructions d'assemblage.</p> <p>Préchauffez le gril en allumant les brûleurs de cuve à « high » pendant 5 à 10 minutes.</p> <p>Nettoyez les plaques de brûleur et le tiroir d'égouttement régulièrement. Ne tapissez pas le tiroir d'égouttement avec du papier d'aluminium ou tout autre matériau. Consultez les instructions de nettoyage.</p>
Les flammes produites par les brûleurs sont jaunes et vous détectez une odeur de gaz.	Possibilité de toiles d'araignées ou autres débris, ou d'un mauvais ajustement des volets d'air.	Retirez le brûleur et nettoyez-le complètement. Consultez les instructions d'entretien. Ouvrez légèrement les volets d'air tout en vous conformant aux instructions de réglage des volets d'air. (ceci doit être effectué par un installateur de gaz qualifié)
Les flammes se détachent du brûleur, accompagnées d'une odeur de gaz et possiblement une difficulté d'allumage.	Mauvais ajustement des volets d'air.	Fermez légèrement les volets d'air tout en vous conformant aux instructions de réglage des volets d'air. (ceci doit être effectué par un installateur de gaz qualifié)
Le régulateur murmure lorsque l'appareil fonctionne.	Problème normal par temps chaud.	Ceci n'est pas un défaut. Le murmure est causé par une vibration à l'intérieur du régulateur et n'affecte en rien la performance et la sécurité du gril à gaz. Les régulateurs émettant un murmure ne seront pas remplacés.
Les brûleurs ne s'allument pas les uns aux autres.	Les orifices sont bouchés à l'arrière du brûleur.	Nettoyez les orifices du brûleur. Consultez les instructions d'entretien.
La peinture semble peler à l'intérieur du couvercle ou de la hotte.	Accumulation de graisse sur les surfaces internes.	Ceci n'est pas un défaut. Le fini du couvercle et de la hotte est en acier inoxydable et ne pèlera pas. Le pelage est causé par la graisse qui durcit et sèche comme des éclats de peinture qui pèlent. Un nettoyage régulier préviendra ce problème. Consultez les instructions de

COMMANDE DE PIÈCES DE RECHANGE

INFORMATION SUR LA GARANTIE

MODÈLE : _____
DATE D'ACHAT : _____
NUMÉRO DE SÉRIE : _____

GARDEZ VOTRE REÇU
COMME PREUVE
D'ACHAT POUR
VALIDER VOTRE

(Inscrivez l'information ici pour y avoir accès facilement.)

Avant de contacter le département du service aux consommateurs, consultez le site Web de NAC pour obtenir plus d'instructions sur le nettoyage, l'entretien, le dépannage et le remplacement des pièces à www.napoleongrills.com. Contactez le fabricant directement pour obtenir des pièces de rechange et faire des réclamations au titre de la garantie. Le département du service aux consommateurs est à votre disposition entre 9 h et 17 h (heure normale de l'Est) au 1-866-820-8686 ou par télécopieur au 705-727-4282. Pour qu'une réclamation soit traitée, l'information suivante est nécessaire :

1. Modèle et numéro de série de l'appareil.
2. Numéro de la pièce et description.
3. Description concise du problème (« brisé » n'est pas suffisant).
4. Preuve d'achat (copie de la facture).

Dans certains cas, le département du service aux consommateurs peut demander de retourner la pièce pour des fins d'inspection avant de fournir une pièce de rechange. Les pièces doivent être expédiées port payé à l'attention du département du service aux consommateurs avec l'information suivante :

1. Modèle et numéro de série de l'appareil.
2. Description concise du problème (« brisé » n'est pas suffisant).
3. Preuve d'achat (copie de la facture).
4. Numéro d'autorisation de retour - fourni par le représentant du département du service aux consommateurs.

Avant de contacter le service aux consommateurs, veuillez prendre note que les items suivants ne sont pas couverts par la garantie :

- coûts de transport, de courtage et frais d'exportation;
- coûts de main-d'oeuvre pour l'enlèvement et l'installation de la pièce;
- coûts des appels de service pour diagnostiquer le problème;
- décoloration des pièces en acier inoxydable;
- bris des pièces causé par un manque d'entretien et de nettoyage, ou par l'utilisation de nettoyeurs inappropriés (nettoyant à fourneau).

NAPOLEON APPLIANCE CORPORATION BON DE COMMANDE POUR PIÈCES/ACCESSOIRES TÉLÉCOPIEZ AU : 705-727-4282

VEUILLEZ ÉCRIRE CLAIEMENT EN CARACTÈRES D'IMPRIMERIE.

NOM DU CLIENT : _____ DATE : _____

ADRESSE : _____ # DE MODÈLE : _____

_____ # DE SÉRIE : _____

TÉLÉPHONE : _____

VISA OU MASTERCARD : _____ DATE D'EXPIRATION : _____

SIGNATURE: _____

QUANTITÉ	NUMÉRO DE PRODUIT	DESCRIPTION

INSTRUCTIONS D'ASSEMBLAGE

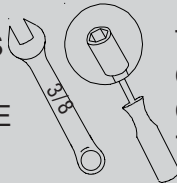
⚠ ATTENTION : Lors du déballage et de l'assemblage, il est recommandé de porter des gants de travail et des lunettes de sécurité pour votre protection. Bien que nous ayons fait tous les efforts pour rendre le processus d'assemblage le plus simple et le plus sécuritaire possible, les coins et les bords des pièces fabriquées en acier peuvent être coupants et peuvent causer des blessures s'ils sont manipulés de façon incorrecte lors de l'assemblage.

POUR COMMENCER

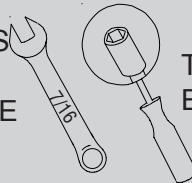
1. Retirez tous les panneaux, le matériel et le gril du carton d'emballage. Soulevez le couvercle et enlevez les composants qui se trouvent à l'intérieur. Servez-vous de la liste de pièces pour vous assurer que toutes les pièces nécessaires sont incluses.
2. Ne détruisez pas l'emballage jusqu'à ce que le gril ait été complètement assemblé et qu'il fonctionne à votre satisfaction.
3. Assemblez le gril là où il sera utilisé et posez un carton ou une serviette afin d'éviter de perdre ou d'endommager les pièces lors de l'assemblage.
4. La plupart des pièces en acier inoxydable possèdent un revêtement de plastique protecteur qui doit être enlevé avant d'utiliser le gril.
5. Suivez toutes les instructions dans l'ordre donné dans ce manuel.
6. Deux personnes sont requises pour soulever la cuve de gril et la placer sur le chariot assemblé.

OUTILS REQUIS POUR L'ASSEMBLAGE (outils non inclus)

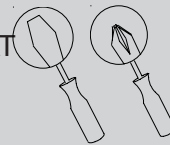
TOURNEVIS
OU CLÉ,
CLIQUET DE
3/8 (10mm)



TOURNEVIS
OU CLÉ,
CLIQUET DE
7/16



TOURNEVIS PLAT
ET PHILLIPS



MARTEAU

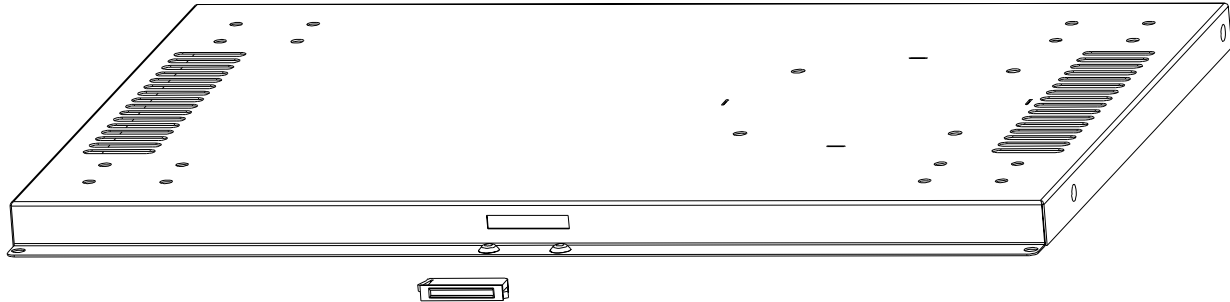


Si vous avez des questions à propos de l'assemblage ou du fonctionnement du gril, ou si des pièces sont manquantes ou endommagées, veuillez appeler notre département du service aux consommateurs au 1-866-820-8686 entre 9 h et 17 h (heure normale de l'Est).

1 x N430-0002
LOQUET MAGNÉTIQUE

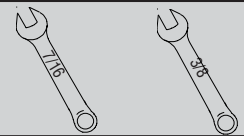
1 Installation de l'aimant

Poussez l'aimant dans la fente à l'avant de la tablette du bas, jusqu'à ce que vous entendiez un déclic.



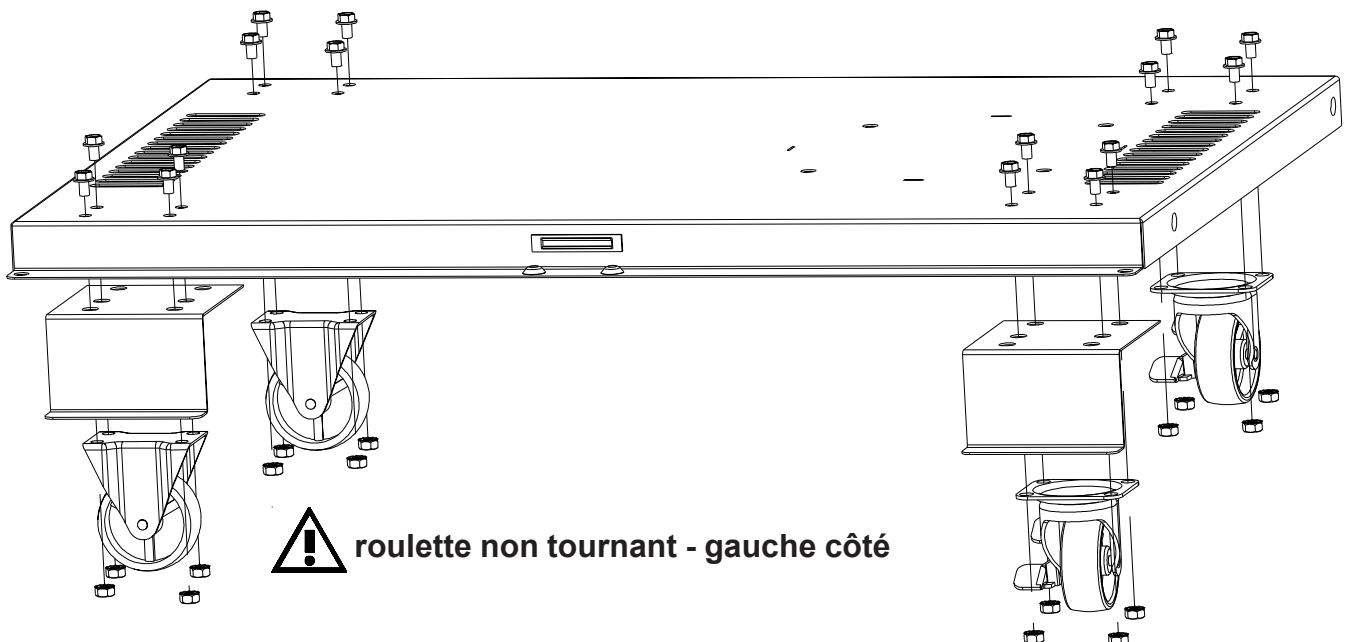
16 X 
N570-0073 (1/4-20 X 3/8")

16 X 
N450-0027 (1/4-20)



2 Installation des roulettes / support

Fixez les supports sous les roulettes avant tel.
Attachez les quatre (4) roulettes dans les trous en utilisant quatre (4) vis de 1/4 - 20 X 3/8" et quatre (4) contre-écrous de 1/4-20 pour chaque roulette.
Serrez fermement.

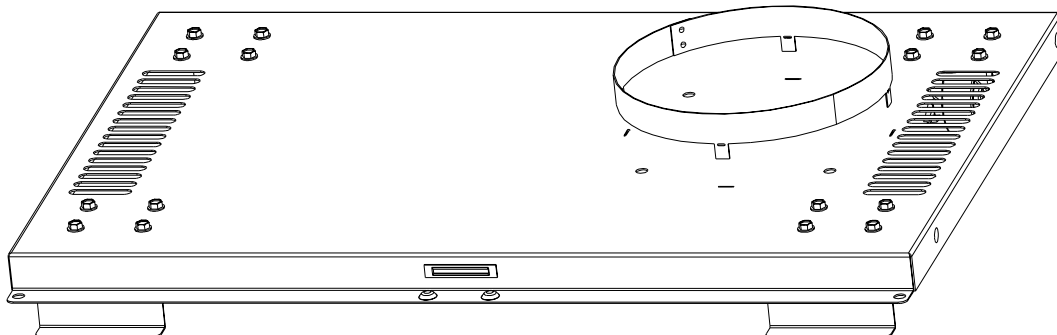




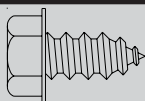
PROPANE SEULEMENT

3 Installation de l'anneau de la bonbonne de propane

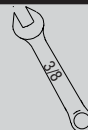
Insérez l'anneau de la bonbonne de propane dans les fentes de la tablette du bas comme illustré. Repliez les languettes pour fixer en place.



4 X

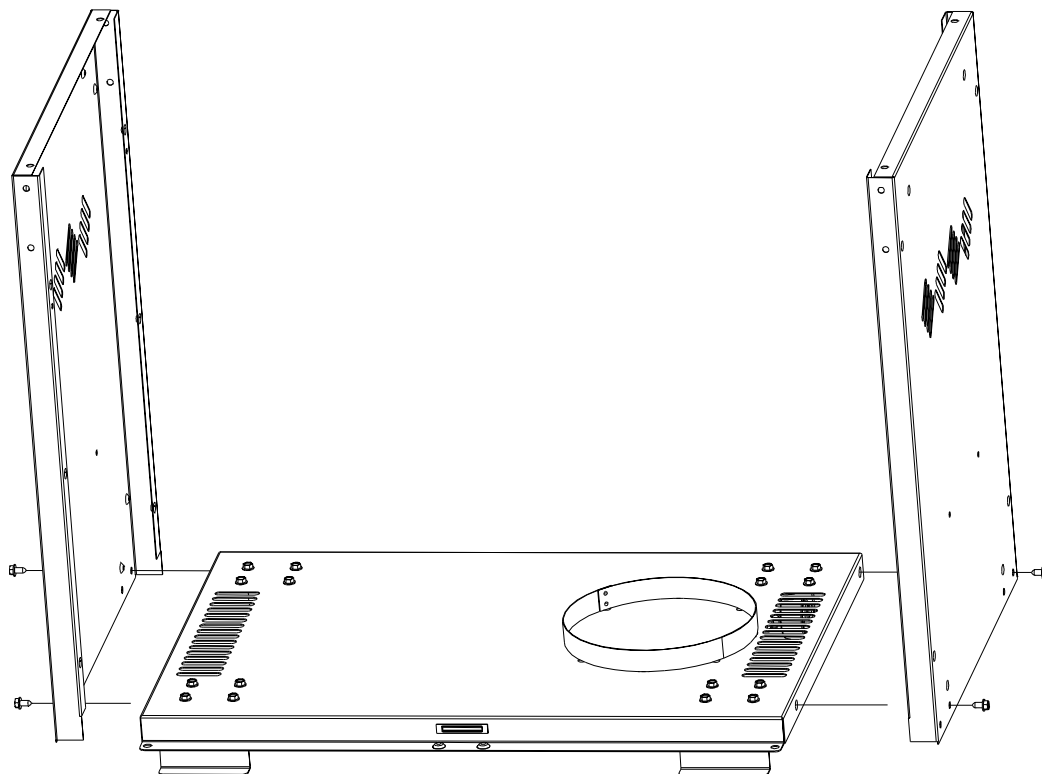


N570-0080 (#14 X 1/2")

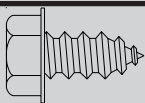


4 Installation des panneaux de gauche et de droite du chariot

Installez les panneaux du chariot en vous assurant que les fentes du panneau sont situées en haut. Appuyez les panneaux contre la tablette du bas et alignez les trous. Fixez en utilisant quatre (4) vis #14 x 1/2".



6 X

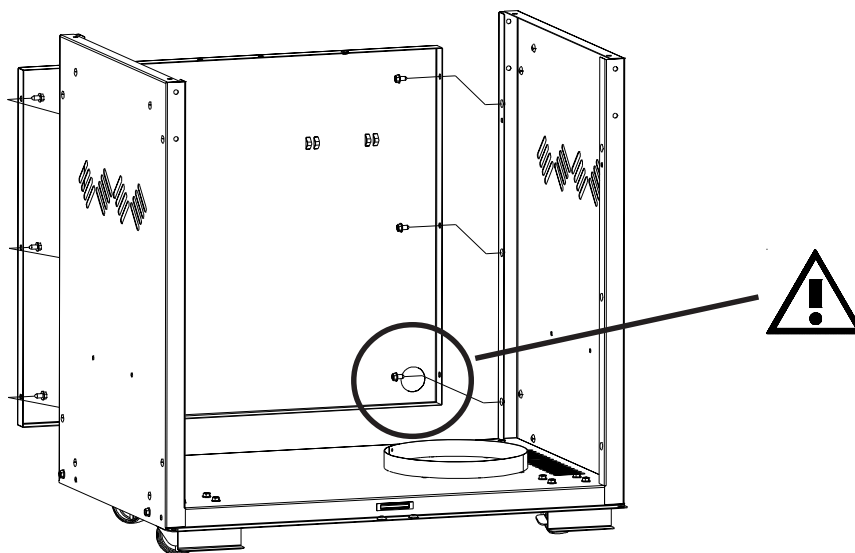


N570-0080 (#14 X 1/2")



5 Installation du panneau arrière du chariot

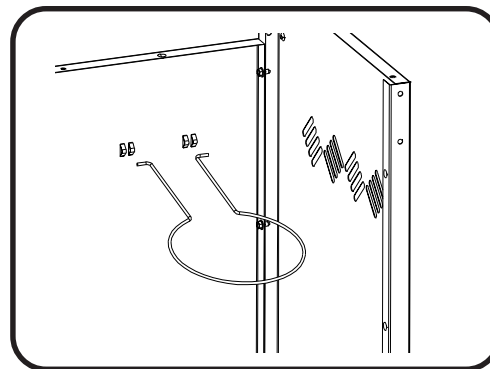
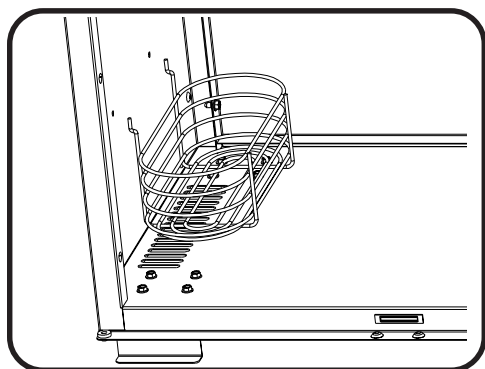
Placez le panneau arrière du chariot entre les deux panneaux latéraux en vous assurant que le plus gros trou du panneau se situe dans le coin inférieur droit comme illustré. Fixez en utilisant six (6) vis #14 x 1/2", trois de chaque côté.



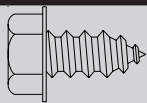
6 Panier à condiments / Support supérieur de la bonbonne de propane

Pivotez le panier légèrement pour permettre aux tiges de s'insérer dans les trous du panneau latéral. Poussez et soulevez en pivotant pour permettre au coude des tiges de passer dans les trous. Placez le panier à plat contre le panneau latéral. Fixez le support supérieur de la bonbonne de propane dans les fentes du panneau arrière. Insérez une extrémité à la fois, en pliant légèrement le fil métallique. (Lorsqu'il n'est pas utilisé, le support de la bonbonne reposera à plat contre le panneau arrière.)

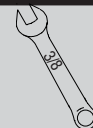
 **PROPANE SEULEMENT**



6 X
N570-0080 (#14 X 1/2")

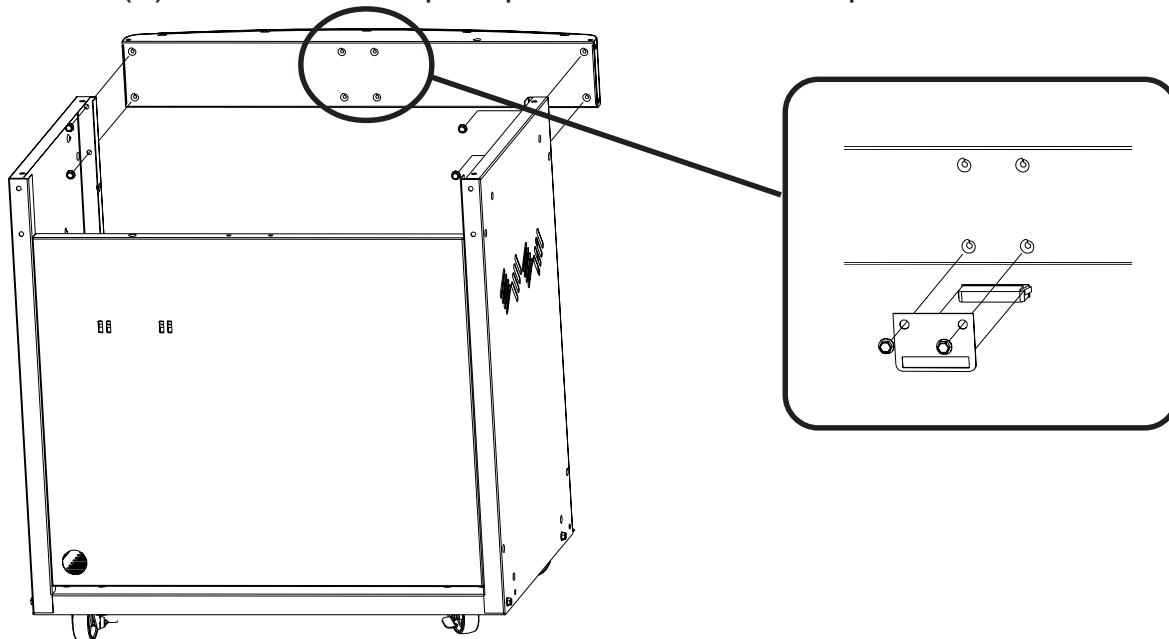


1 x N430-0002
LOQUET MAGNÉTIQUE

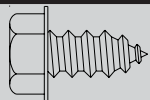


7 Installation du support avant du cabinet

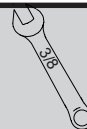
Fixez le support avant du cabinet à l'avant des panneaux latéraux, dans les trous prévus à cet effet, en utilisant quatre (4) vis #14 x 1/2". Pour faciliter l'installation, commencez à visser chaque vis avant de les serrer complètement. Attachez le support magnétique aux trous situés au bas du support avant en utilisant deux (2) vis #14 x 1/2", puis poussez l'aimant en place comme illustré.



2 X
N570-0080 (#14 X 1/2")

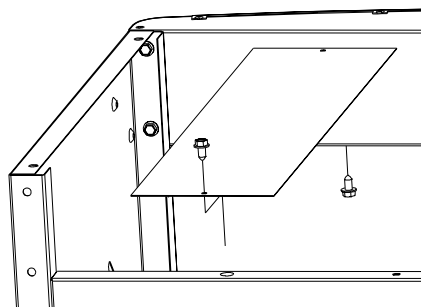


PROPANE SEULEMENT

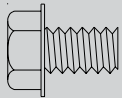


8 Installation du protecteur de chaleur de la bonbonne de propane

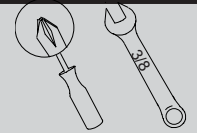
Attachez le protecteur de chaleur de la bonbonne de propane au-dessus de l'anneau de la bonbonne. Attachez une extrémité sous la bordure du panneau arrière dans le trou prévu à cet effet et l'autre extrémité sous le support avant du cabinet.



6 x



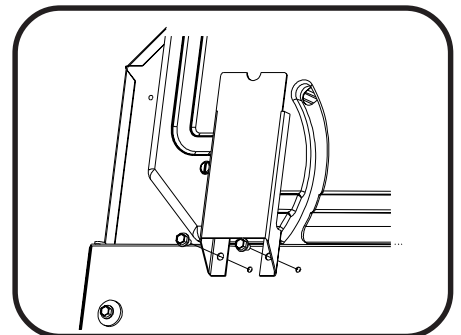
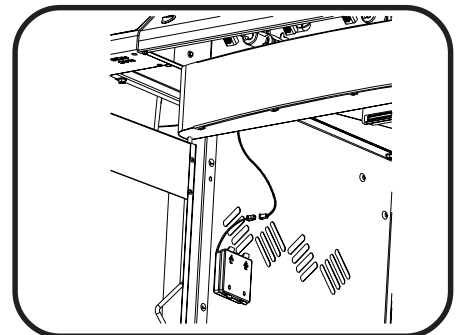
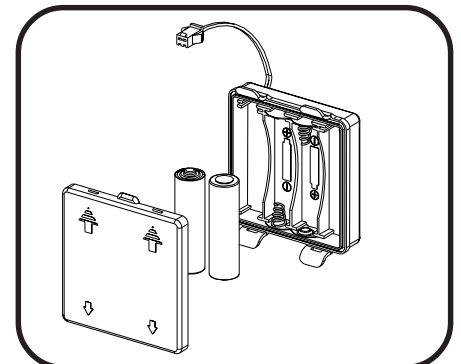
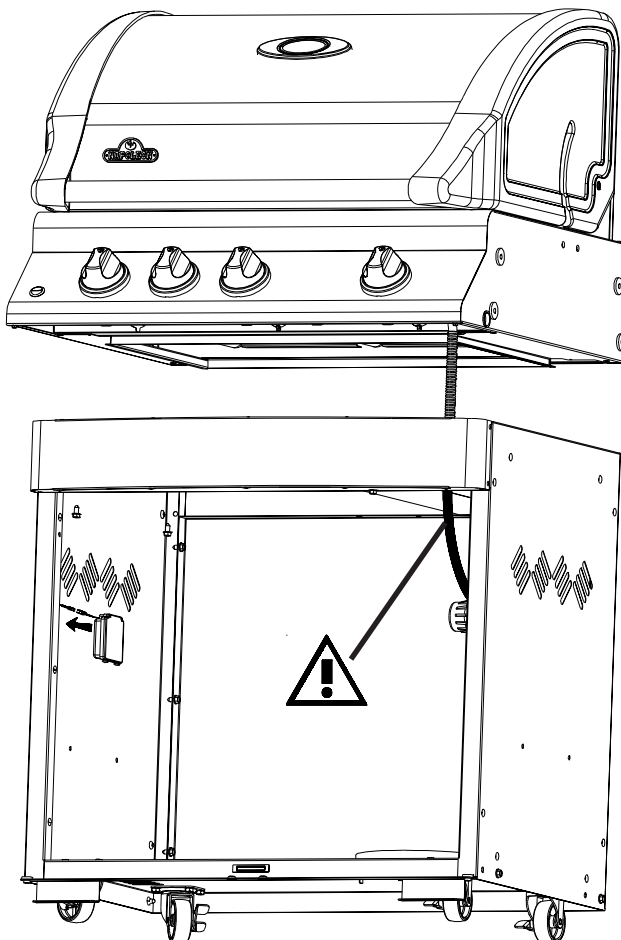
N570-0073 (1/4-20 x 3/8")



9 Installation de la cuve de grill

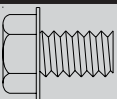
⚠ PROPANE SEULEMENT - Pour éviter les difficultés d'assemblage, avant d'installer la cuve de grill, enlevez l'attache retenant le régulateur sous le panneau de contrôle. Cette attache a été installée en usine afin de protéger le boyau du régulateur lors de l'expédition et n'est plus nécessaire. (Prenez soin de ne pas endommager le boyau lorsque vous enlevez cette attache.) Assurez-vous que le régulateur passe dans la petite ouverture, entre le protecteur de chaleur de la bonbonne et le côté droit du cabinet.

Soulevez la cuve de grill et installez-la sur le chariot assemblé en alignant les trous au sommet des panneaux latéraux, avec les trous au bas de la cuve. Fixez de l'intérieur en utilisant quatre (4) vis de 1/4-20 x 3/8", deux par côté. Installez les piles sous les fentes d'aération, sur le panneau gauche, à l'aide de l'aimant fourni avec l'ensemble de piles. Branchez le fil de la DEL (lumières), situé sous le panneau de contrôle, avec le fil des piles. Installez le support de rôtissoire à la gauche du grill comme illustré, en utilisant deux (2) vis de 1/4-20 x 3/8".

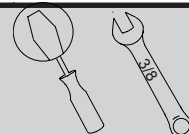


⚠ DEUX PERSONNES SONT REQUISES POUR EFFECTUER CETTE ÉTAPE.

10 x

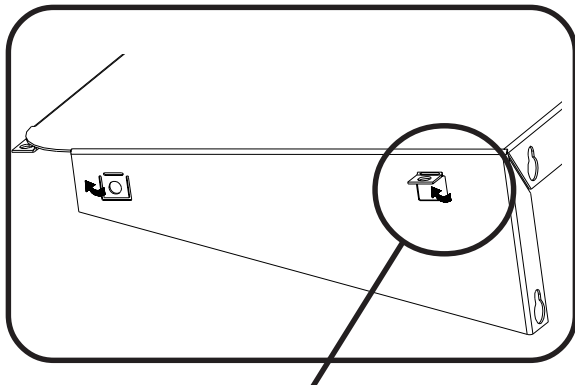


N570-0073 (1/4-20 x 3/8")

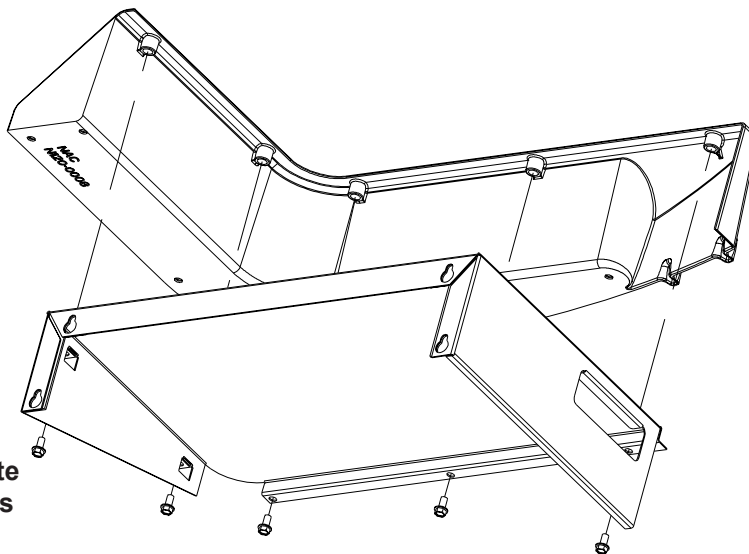


10 Installation des embouts de la tablette latérale / du brûleur latéral

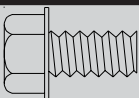
Décolliez le revêtement protecteur de la tablette latérale / du brûleur latéral. Attachez l'embout correspondant comme illustré en utilisant cinq (5) vis de 1/4-20 x 3/8".



Repliez les languettes sur l'avant de la tablette à l'aide d'un tournevis plat; insérez la vis dans la languette et dans l'embout.



4 X

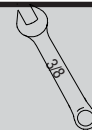


N570-0082 (1/4-20 x 5/8")

4 X

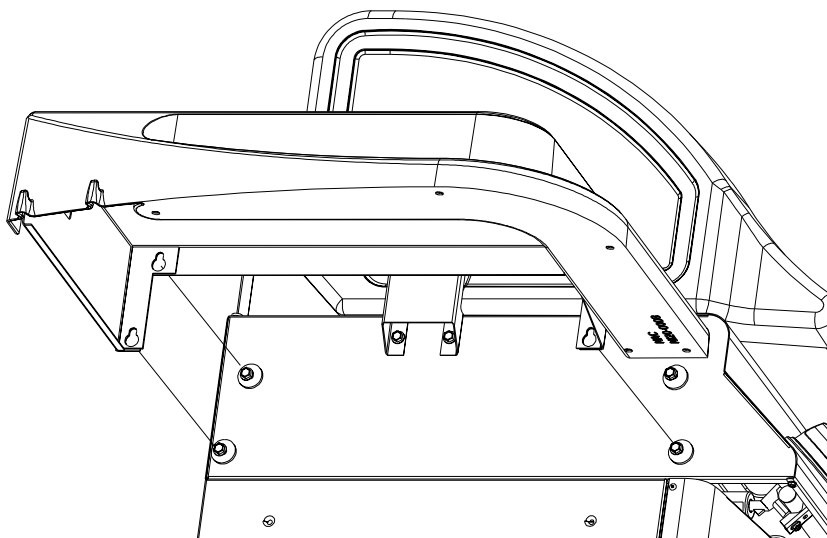
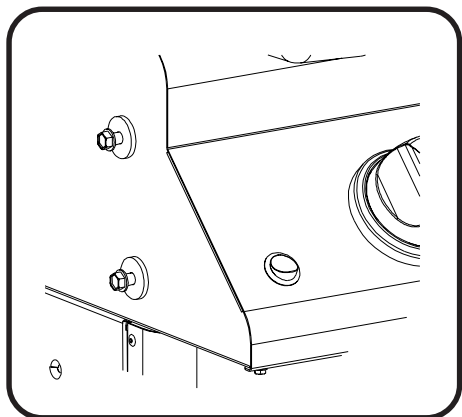


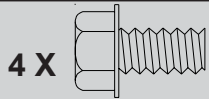
N735-0001 (1 1/16" rondelle isolée)



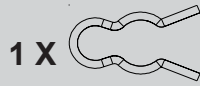
11 Installation de la tablette latérale

Insérez quatre (4) vis de 1/4-20 x 5/8" dans les rondelles jusque dans les trous filetés du côté de la cuve. Ne serrez pas jusqu'au bout. Faites glisser la tablette latérale assemblée par-dessus les têtes des vis et terminez le serrage.





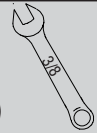
4 X
N570-0082 (1/4-20 X 5/8")



1 X
N160-0016

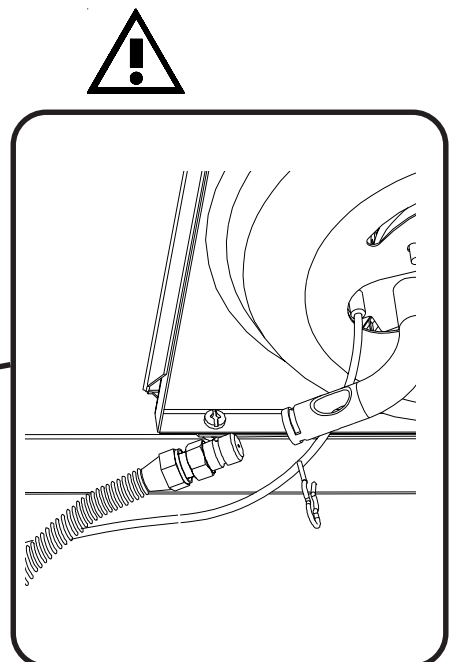
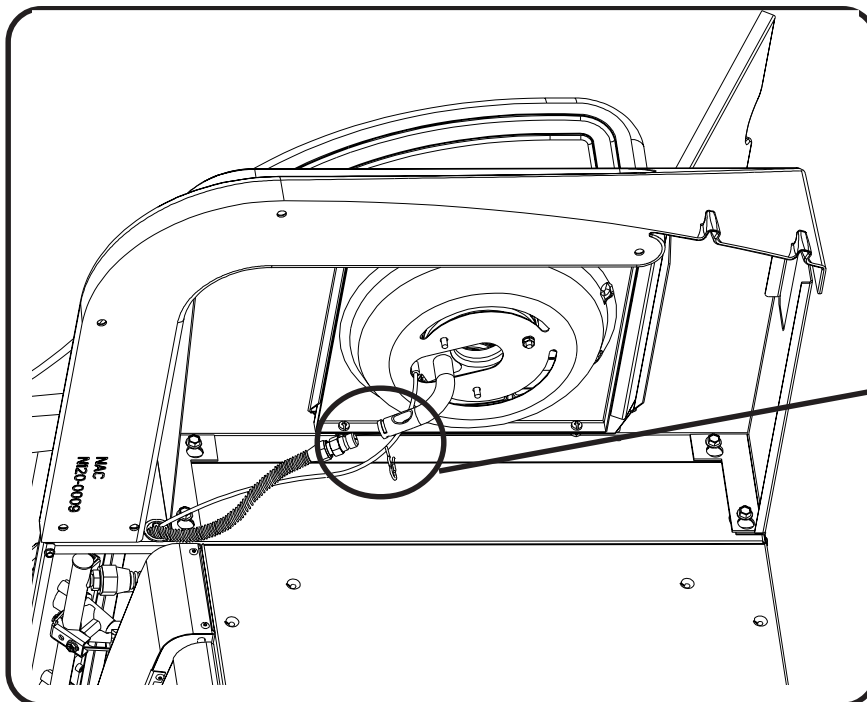
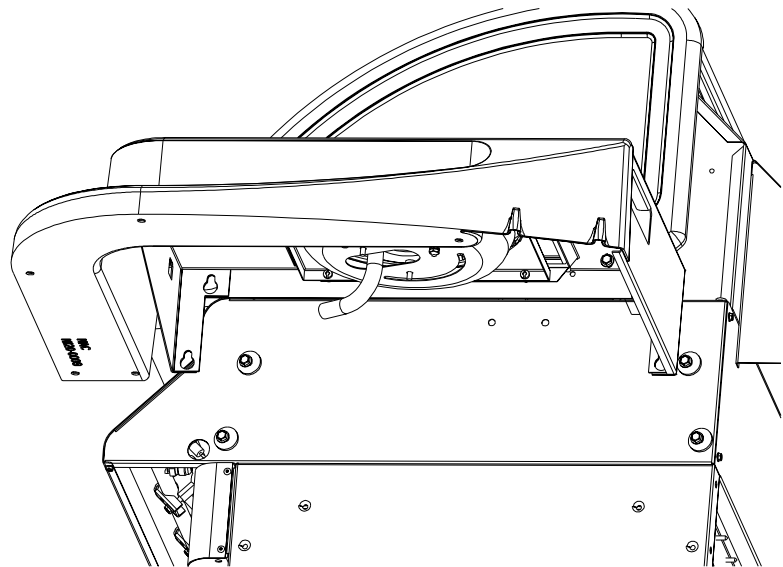
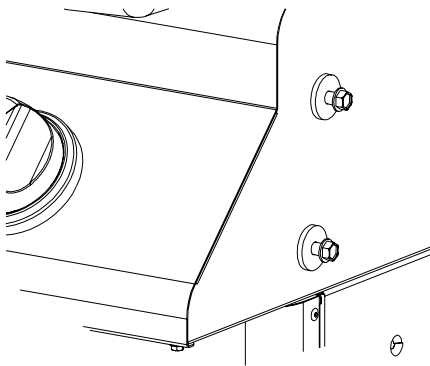


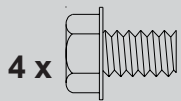
4 X
N735-0001 (1 1/16" rondelle isolée)



12 Installation du brûleur latéral

Insérez quatre (4) vis de 1/4-20 x 5/8" dans les rondelles jusque dans les trous filetés du côté de la cuve. Ne serrez pas jusqu'au bout. Faites glisser le brûleur latéral assemblé par-dessus les têtes des vis et terminez le serrage. Attachez un raccord flexible de 1/2" depuis le collecteur jusqu'au raccord situé à l'extrémité du tuyau du brûleur latéral. Placez l'orifice dans le brûleur et fixez à l'aide de l'attache de retenue fournie. Fixez le fil du collecteur à l'électrode du brûleur latéral.





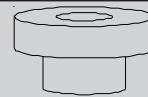
4 x

N570-0073 (1/4-20 X 3/8")

4 X N735-0003



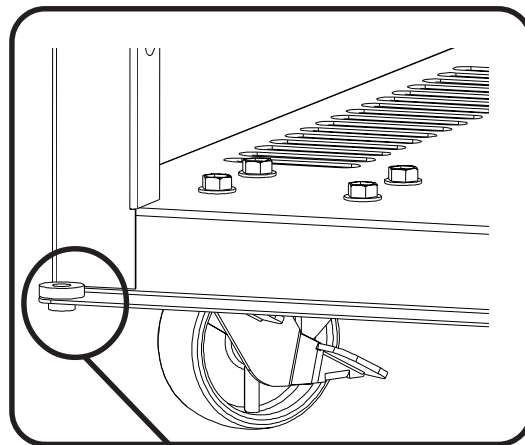
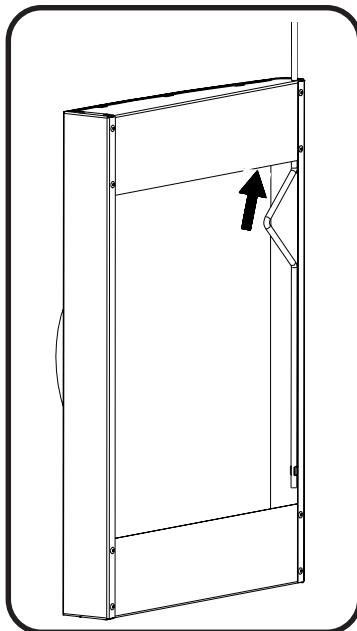
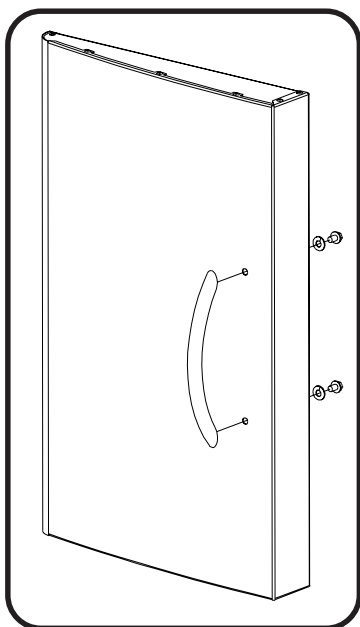
(1/4" RONDELLE DE BLOCAGE) 2 x N105-0011 BAGUE DE PORTE



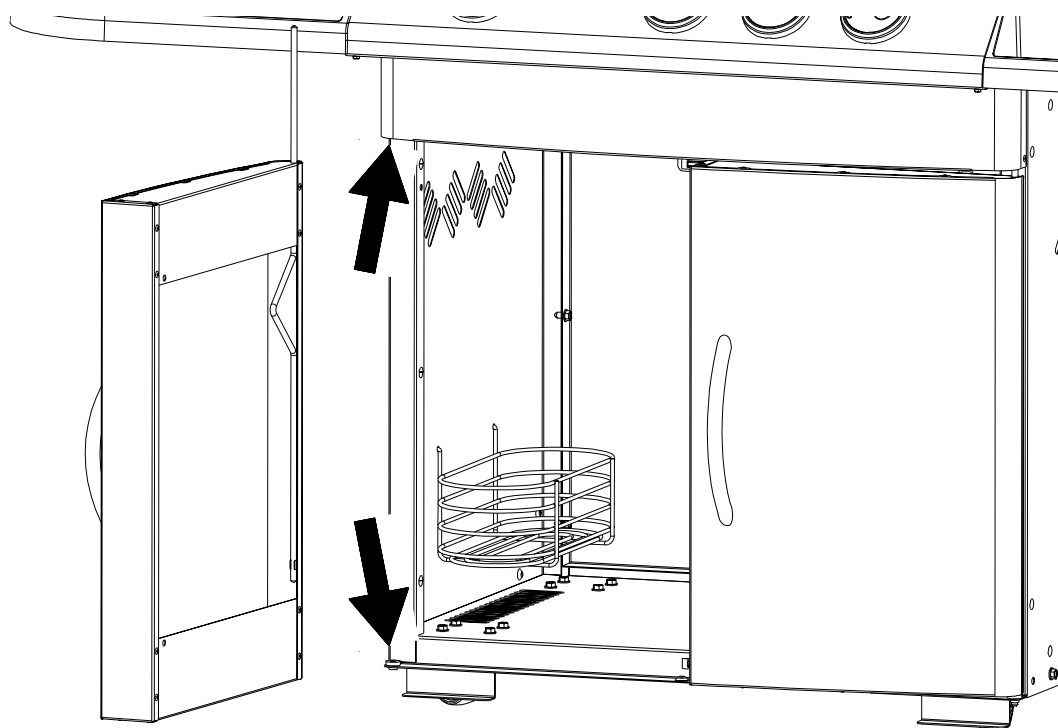
13 Installation de la porte

Installez la poignée de porte à l'avant de la porte à l'aide de deux (2) vis de 1/4-20 x 3/8" et (2) 1/4" rondelle de blocage par porte.

Insérez la tige pivot dans le trou de l'intérieur de la porte (en haut). En tenant la porte d'une main, dirigez la tige pivot dans le trou situé sous le support avant du cabinet. Lorsqu'elle est fixée, laissez la tige glisser vers le bas, dans le trou inférieur de la porte et dans la bague de la tablette du bas.



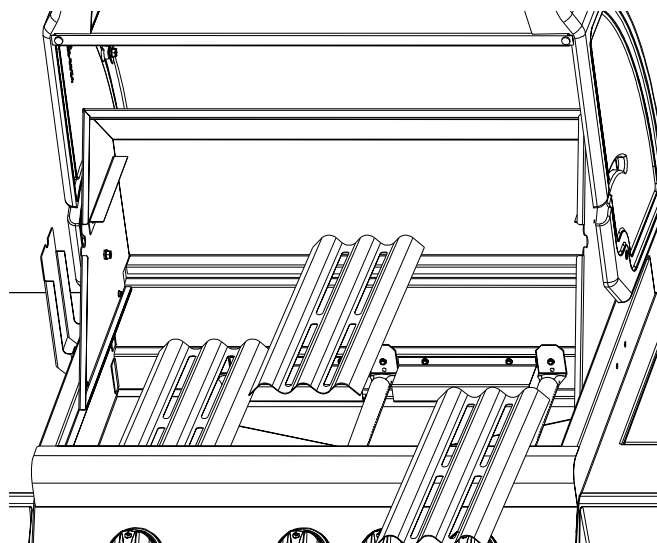
BAGUE



3 X N305-0057

14 Installation des plaques de brûleur

Insérez les plaques de brûleur dans la cuve. Placez-les au-dessus de chaque brûleur tubulaire en positionnant les fentes vers le bas afin de permettre l'égouttement.

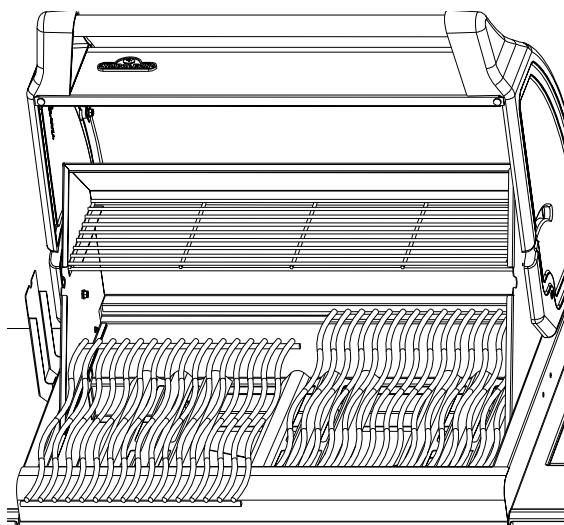


1 X N520-0023

2 X N305-0058

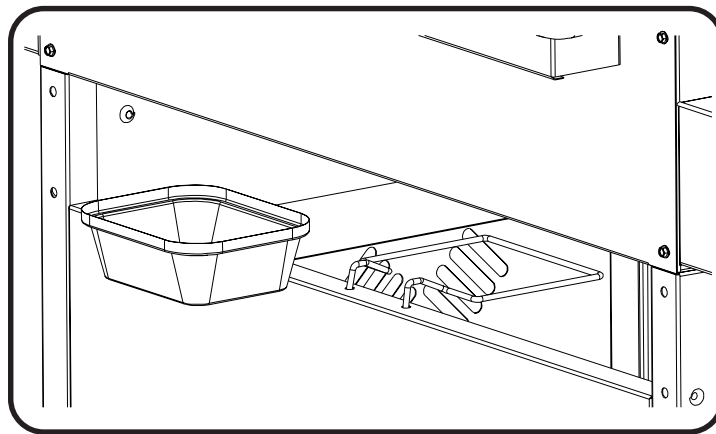
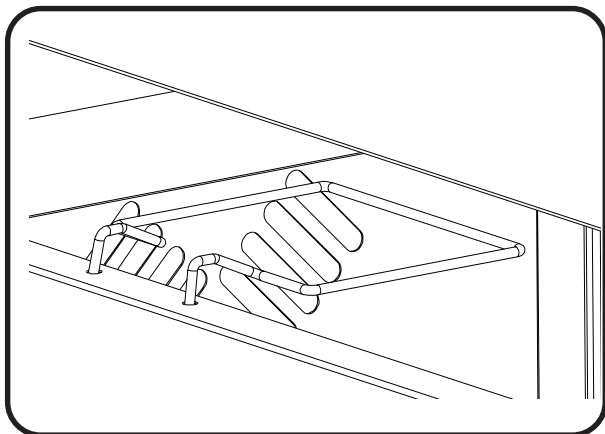
15 Installation des grilles de cuisson et de la grille de réchaud

Placez les grilles de cuisson et la grille de réchaud dans la cuve comme illustré. Appuyez la grille de réchaud sur les supports situés à l'intérieur de la hotte, et les grilles de cuisson sur les bordures avant et arrière de la base.



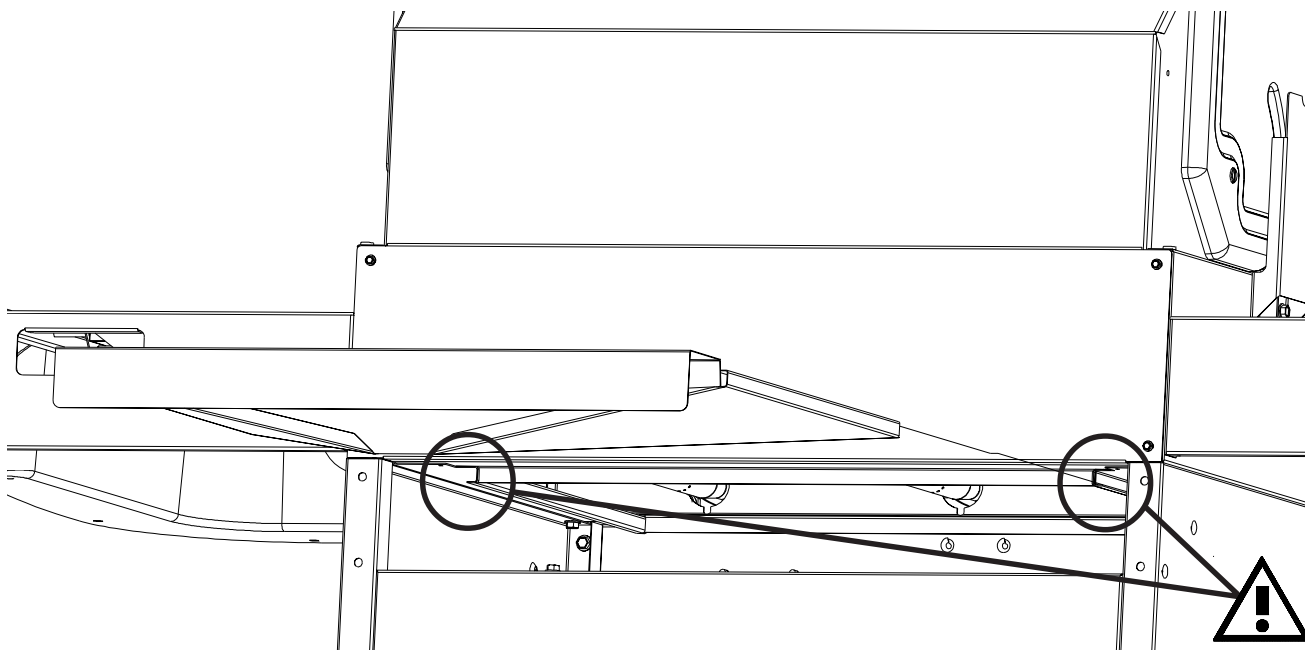
16 Installation du récipient à graisse et de son support

Dans les deux trous situés au centre du panneau arrière, insérez le support du récipient à graisse. À l'intérieur du support, installez un récipient à graisse en aluminium.



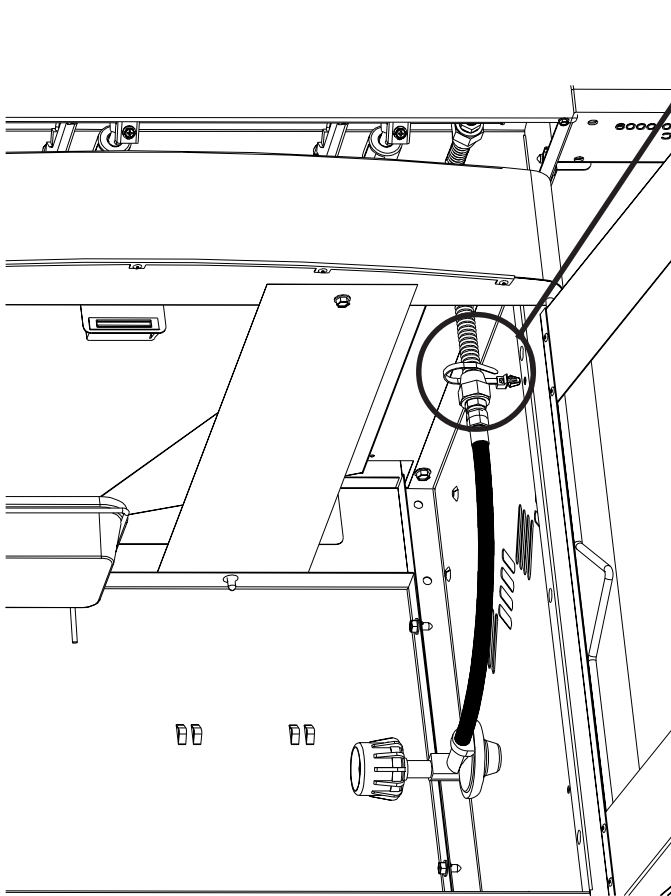
17 Installation du tiroir d'égouttement

Faites glisser le tiroir d'égouttement vers l'arrière de la cuve comme illustré. Assurez-vous que le tiroir circule le long des rails au bas de la cuve.

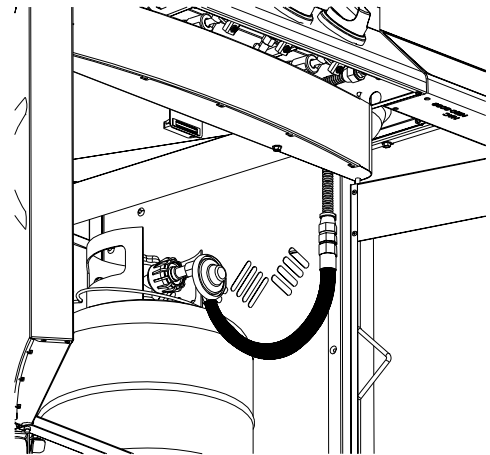




PROPANE SEULEMENT - BRANCHEMENT ADÉQUAT DU BOYAU



Assurez-vous que le régulateur passe dans la petite ouverture, entre le protecteur de chaleur de la bonbonne et le côté droit du cabinet.

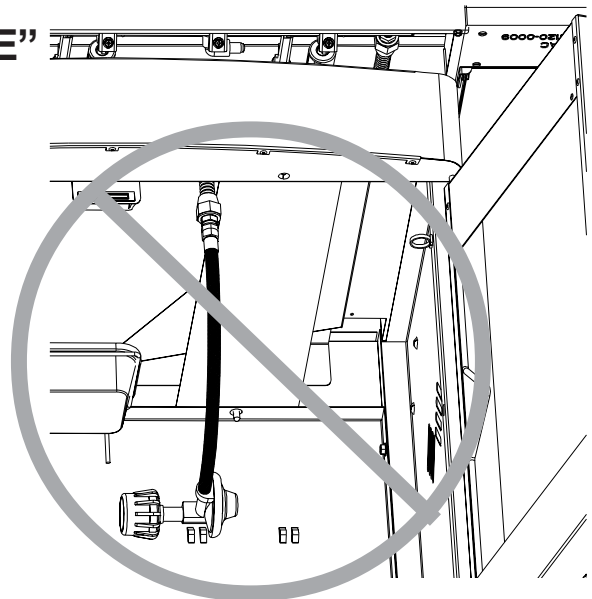


PROPANE SEULEMENT - BRANCHEMENT INADÉQUAT DU BOYAU



“ATTENTION - RISQUE D'INCENDIE”

Le régulateur tuyau doit être fixé de façon à ce qu'aucune partie du tuyau ne touche le dessous du gril ou du tiroir d'égouttement. Si vous ne suivez pas ces instructions à la lettre, un feu en résultera.



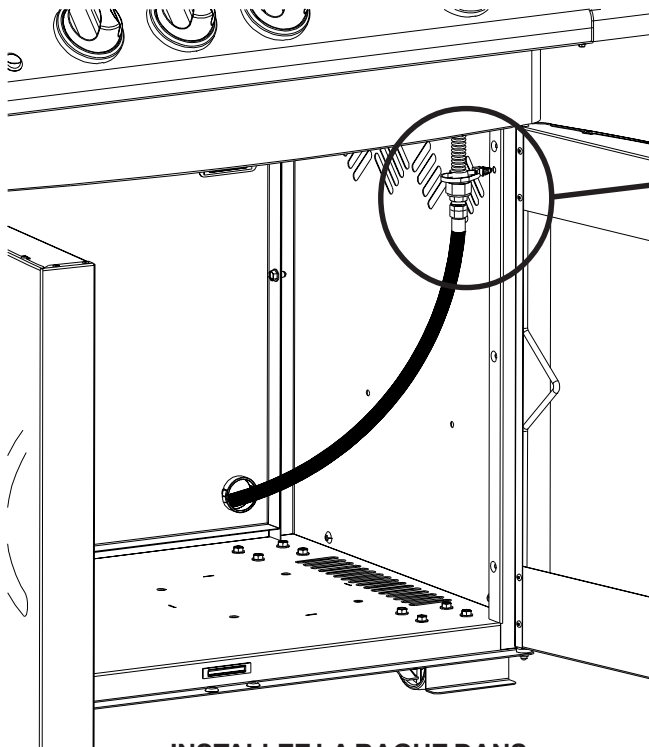


**GAZ NATUREL SEULEMENT - BRANCHEMENT
ADÉQUAT DU BOYAU**

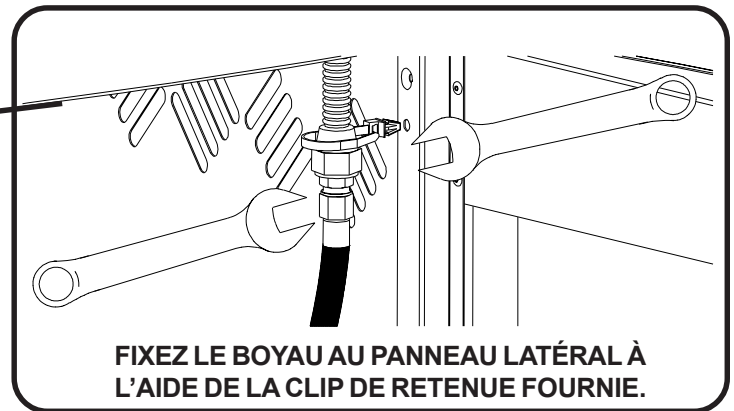


1x105-0002

2 X



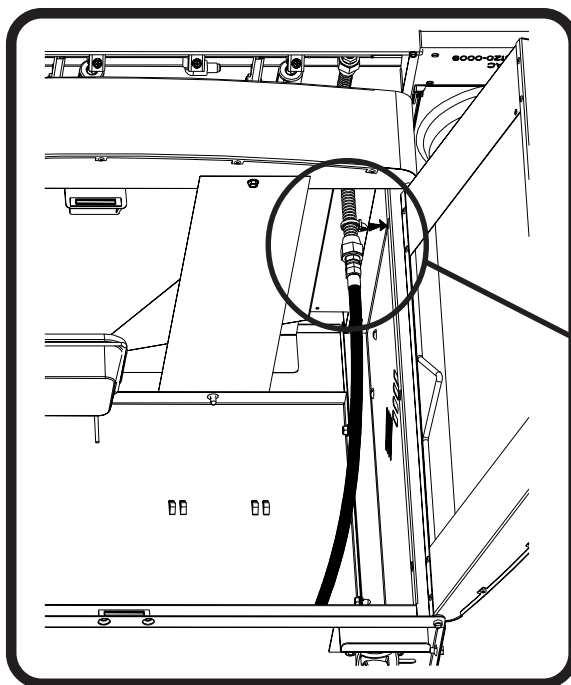
**INSTALLEZ LA BAGUE DANS
LE PANNEAU ARRIÈRE.**



**FIXEZ LE BOYAU AU PANNEAU LATÉRAL À
L'AIDE DE LA CLIP DE RETENUE FOURNIE.**



**CECI DOIT ÊTRE EFFECTUÉ PAR UN TECHNICIEN EN GAZ CERTIFIÉ.
N'UTILISEZ PAS DE COMPOSÉ POUR RACCORD OU DE RUBAN DE TÉFLON
SUR CETTE CONNEXION.**

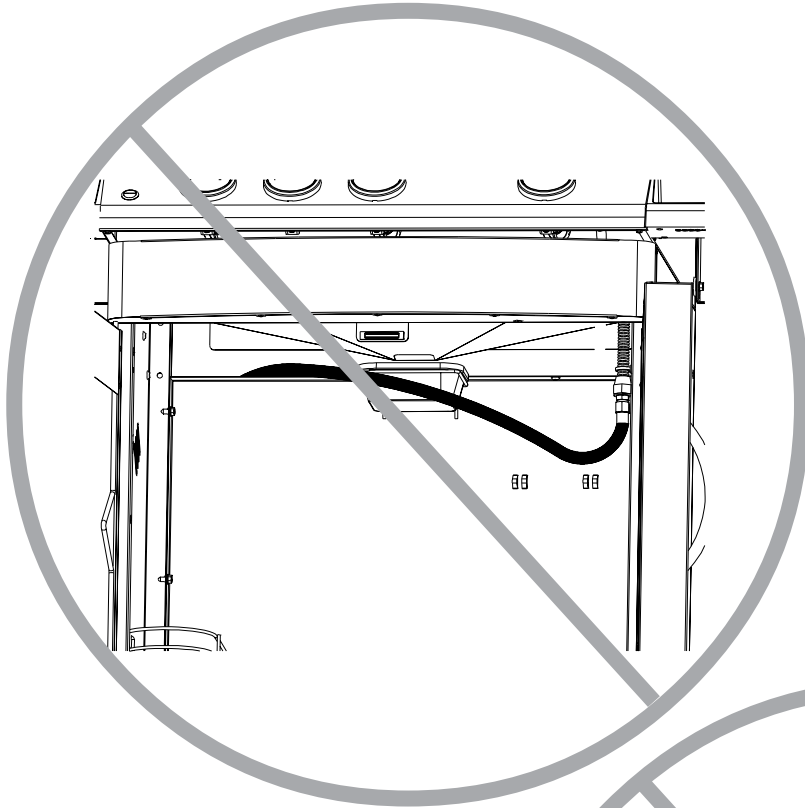




GAZ NATUREL SEULEMENT - BRANCHEMENT INADÉQUAT DU BOYAU

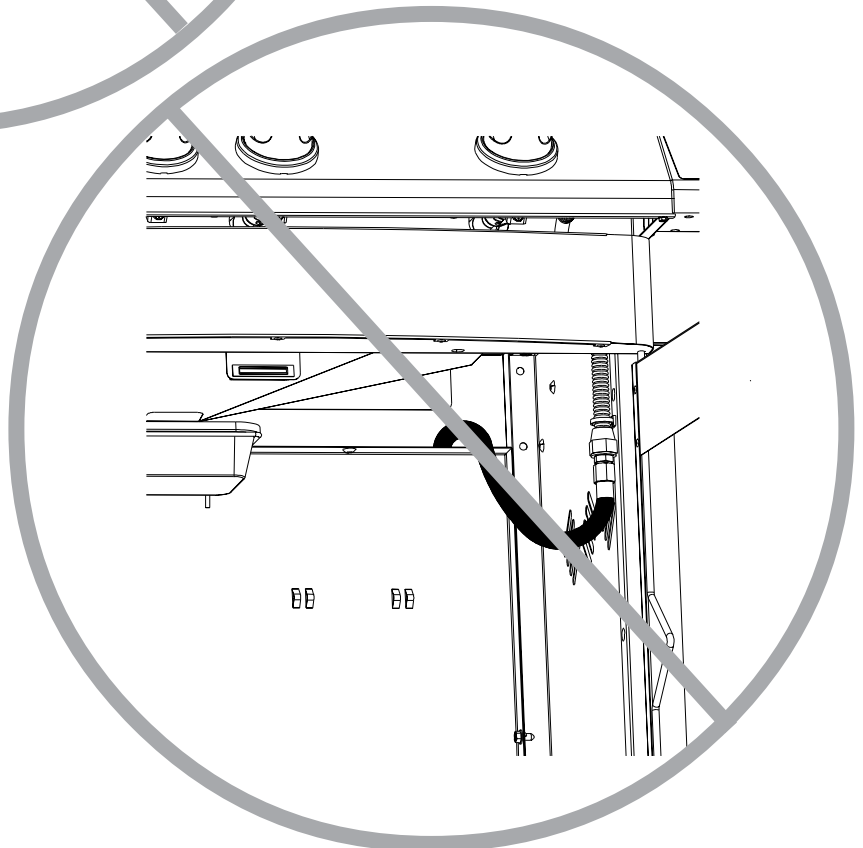


“ATTENTION - RISQUE D’INCENDIE”



Ne pas passer le tuyau d'alimentation sous le tiror d'égouttement.

N'acheminez pas le boyau par-dessus le panneau arrière.



Assurez-vous que le boyau ne touche à aucune surface à haute température sinon il risque de fondre, de provoquer une fuite et causer un feu.



TEST DE DÉTECTION DE FUITES



DANGER

N'utilisez pas une flamme nue pour vérifier pour des fuites de gaz. Assurez-vous qu'il n'y ait aucune étincelle ni flamme nue à proximité de l'endroit à vérifier. Les étincelles ou les flammes nues provoqueront un feu ou une explosion, causant des dommages matériels, des blessures graves ou des pertes de vie.

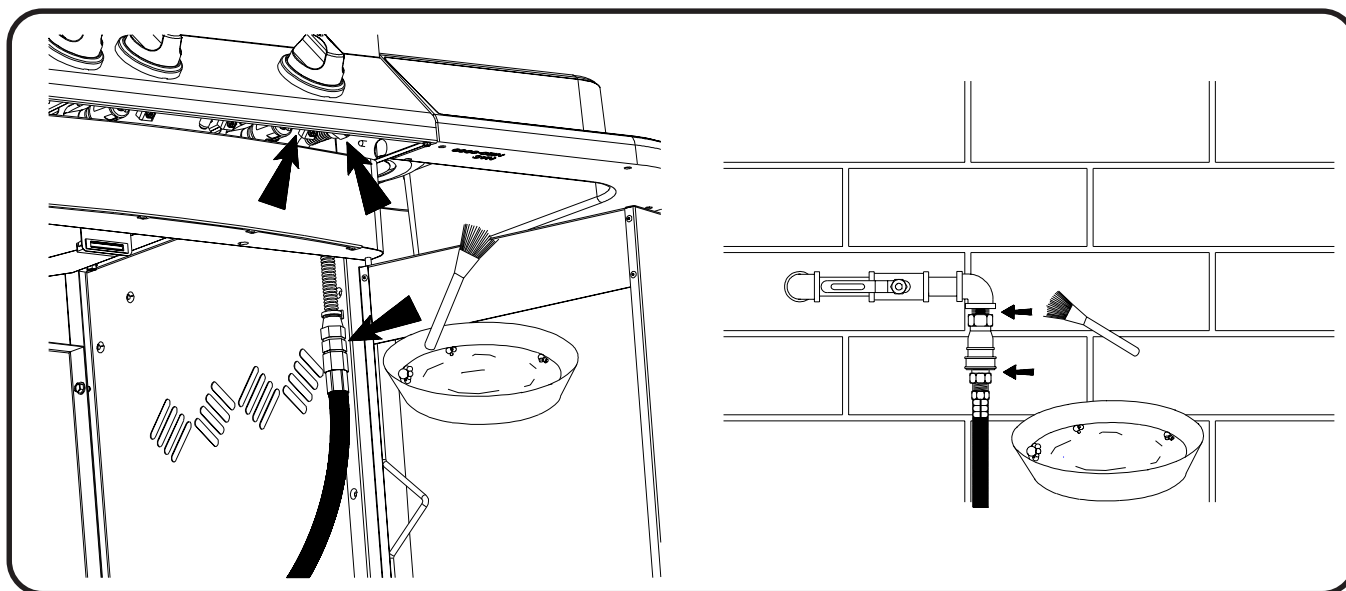
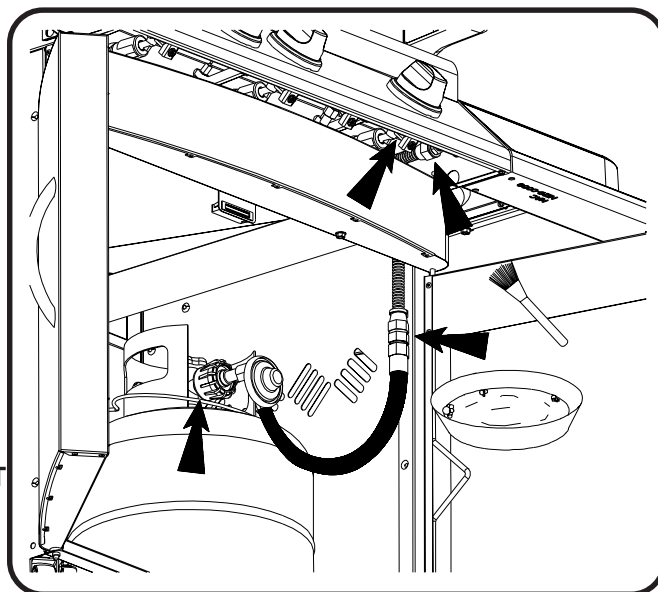
TEST DE DÉTECTION DE FUITES : Il doit être fait avant la première utilisation, annuellement et à chaque fois qu'une pièce du système de gaz est remplacée ou réparée. Ne fumez pas et enlevez toutes les sources d'inflammation lorsque vous faites ce test. Consultez le schéma de *test de détection de fuites* pour voir les endroits à tester.

1. Fermez tous les boutons de contrôle. Ouvrez l'alimentation en gaz à la bonbonne.
2. Appliquez une solution d'eau savonneuse (moitié eau, moitié savon liquide) sur tous les joints et raccords du régulateur, du boyau, des collecteurs et des soupapes.
3. Des bulles indiqueront une fuite de gaz. Resserrez le joint ou remplacez la pièce par une autre recommandée par le service aux consommateurs.
4. Si la fuite ne peut être réparée, fermez l'alimentation en gaz à la bonbonne, débranchez-la et faites inspecter votre gril par votre fournisseur de gaz ou votre détaillant. N'utilisez pas l'appareil tant que la fuite n'est pas réparée.
5. Fermez l'alimentation en gaz à la bonbonne.



UN TEST DE DÉTECTION DE FUITES DOIT ÊTRE EFFECTUÉ DANS CES SITUATIONS :

- AVANT LA PREMIÈRE UTILISATION MÊME SI LE GRIL A ÉTÉ ASSEMBLÉ PAR LE DÉTAILLANT.
- AU MOINS UNE FOIS PAR ANNÉE.
- CHAQUE FOIS QU'UNE PIÈCE DU SYSTÈME DE GAZ EST REMPLACÉE.



LISTE DE PIÈCES

Article	N° de pièce	Description	485
1	N135-0024K	Moulage gauche du couvercle	x
2	N385-0129	Logo NAPOLÉON	x
3	W450-0005	Clips à ressort pour logo	x
4	N510-0010	Pare-chocs du couvercle (silicone noire)	x
5	N685-0003	Jauge de température	x
6	N051-0004	Cadran de jauge de température	x
7	N335-0042	Appliqué pour couvercle en acier inoxydable	x
8	N585-0040	Couvercle pare-chaleur	x
9	N010-0504	Poignée du couvercle	x
10	N135-0025K	Moulage droit du couvercle	x
11	N570-0015	Vis pivot du couvercle	x
12	N010-0502	Assemblage de la hotte	x
13	N570-0008	Vis #8 x 1/2"	x
14	N570-0073	Vis 1/4-20 x 3/8"	x
15	N735-0003	Rondelle de blocage 1/4"	x
16	N520-0023	Grille de réchaud	x
17	N305-0058	Grilles de cuisson - tiges d'acier inoxydable	x
18	N305-0057	Plaque de brûleur	x
19	N010-0529	Tablette latérale droite en acier inoxydable	x
20	N120-0009	Embout de tablette latérale droite LUXIDIO	x
21	N570-0080	Vis #14 x 1/2"	x
21a	N570-0082	Vis 1/4-20 x 5/8"	x
22	N010-0528	Tablette latérale gauche en acier inoxydable	x
23	N120-0008	Embout de tablette latérale gauche LUXIDIO	x
24	N500-0035K	Plateau de brûleur latéral	x
25	N100-0037	Brûleur latéral	x
26	N335-0043	Couvercle de brûleur latéral	x
27	N305-0059	Grille de brûleur latéral	x
28	N555-0019	Tige pivot du couvercle du brûleur latéral	x
29	N100-0036	Brûleur principal	x
30	N080-0202	Support pour l'allumage croisé du brûleur principal	x
31	N475-0199	Support de rôtissoire	x
32	N010-0500	Cuve	x
33	N010-0501	Tiroir d'égouttement	x
34	N160-0014	Support du récipient à graisse	x
35	62007	Récipients à graisse (5 morceaux)	x
36	N200-0077P	Couvercle arrière	x
37	N475-0181	Panneau de contrôle	x
38	N380-0011	Bouton de contrôle	x
39	N051-0003	Cadran de bouton de contrôle	x
40	N530-0003	Ensemble de régulateur à 1 sortie	p
	N345-0001	Boyau GN de 10 pieds avec déconnexion rapide	n
41	N010-0507	Assemblage du collecteur avec soupapes	p
	N010-0508	Assemblage du collecteur avec soupapes	n
42	N720-0044	connecteur flexible du collecteur	x
43	N255-0027	raccord 3/8" - 3/8"	x
44	N725-0034	soupape du brûleur principal avec orifice #56	p
	N725-0035	soupape du brûleur principal avec orifice #52	n
45	N725-0032	soupape de brûleur latéral	p
	N725-0033	soupape de brûleur latéral	n
	N455-0049	orificede brûleur latéral #62	p
	N455-0050	orifice de brûleur latéral #54	n
	N720-0055	tuyau d'alimentation de brûleur latéral	x

x - standard

p - appareils au propane seulement

n - appareils au gaz naturel seulement

ac - accessoire

LISTE DE PIÈCES

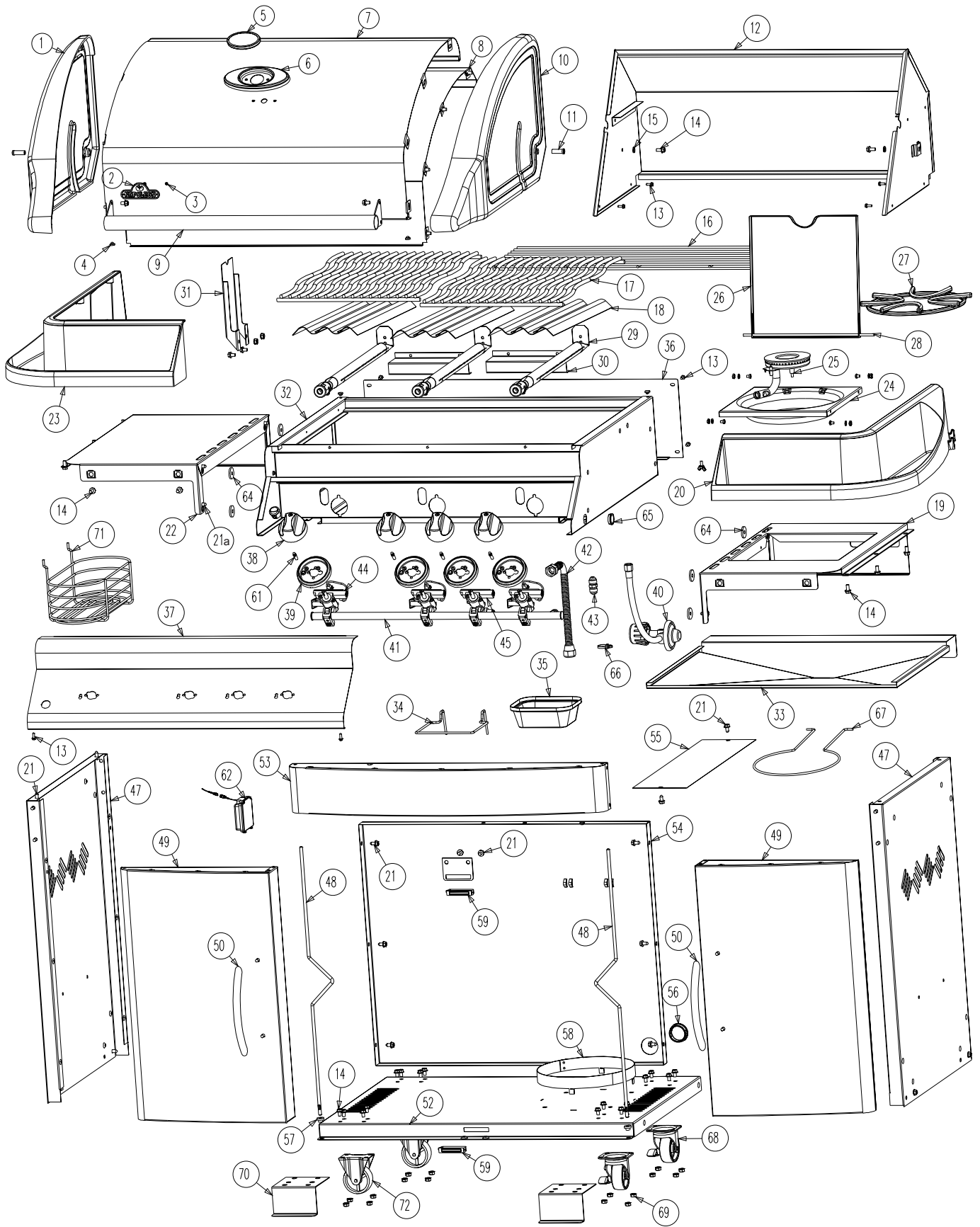
Article	N° de pièce	Description	485
47	N475-0183P	panneau latéral de gauche/droite du cabinet	x
48	N555-0018	tige-pivot de porte	x
49	N010-0506	ensemble de porte pour chariot	x
50	N325-0048	poignée de porte	x
	N570-0073	vis de poignée de porte	x
52	N590-0147P	tablette du bas	x
53	N010-0505	support avant du cabinet	x
54	N475-0184P	panneau arrière pour chariot	x
55	N585-0041P	pare-chaleur	p
56	N105-0002	bague à pression	x
57	N105-0011	bagues de porte	x
58	N655-0094P	anneau support de la bouteille	p
59	N430-0002	loquet magnétique	x
	N020-0122	sac d'accessoires principal pour le montage	x
61	N750-0020	harnais de fils	x
62	N190-0001	ensemble de piles	x
	W043-0002	pile « AA »	x
64	N735-0001	rondelle isolée	x
	N105-0001	bague de 7/8"	x
66	N640-0001	clip de retenue de boyau	x
67	N160-0015	clip de la bonbonne de propane	p
68	N130-0012	roulette à rotation	x
69	N450-0027	écrou de blocage 1/4-20	x
70	N080-0212	support roulette	x
71	N590-0164	panier à condiments	x
72	N130-0013	roulette à non tournant	x
	N370-0454	ensemble de rôtissoire	ac
	N555-0020	tige de rôtissoire	ac
	63485	housse en vinyle	ac
	56017	plaque de cuisson en acier inoxydable	ac
	67730	bac à charbon de bois	ac

x - standard

p - appareils au propane seulement

n - appareils au gaz naturel seulement

ac - accessoire



NOTES

