

Frigidaire

Factory Parts Catalog

Product No.	FFN09M5HWB
Series	134A
Color	white
Volts	115
Wiring Diagram	297010501
Owner's Guide	297080400
Market	North America
Energy Guide	297238802

 **Electrolux**

Electrolux Major Appliances
North & Latin America
P.O. BOX 212378
AUGUSTA, GA 30917

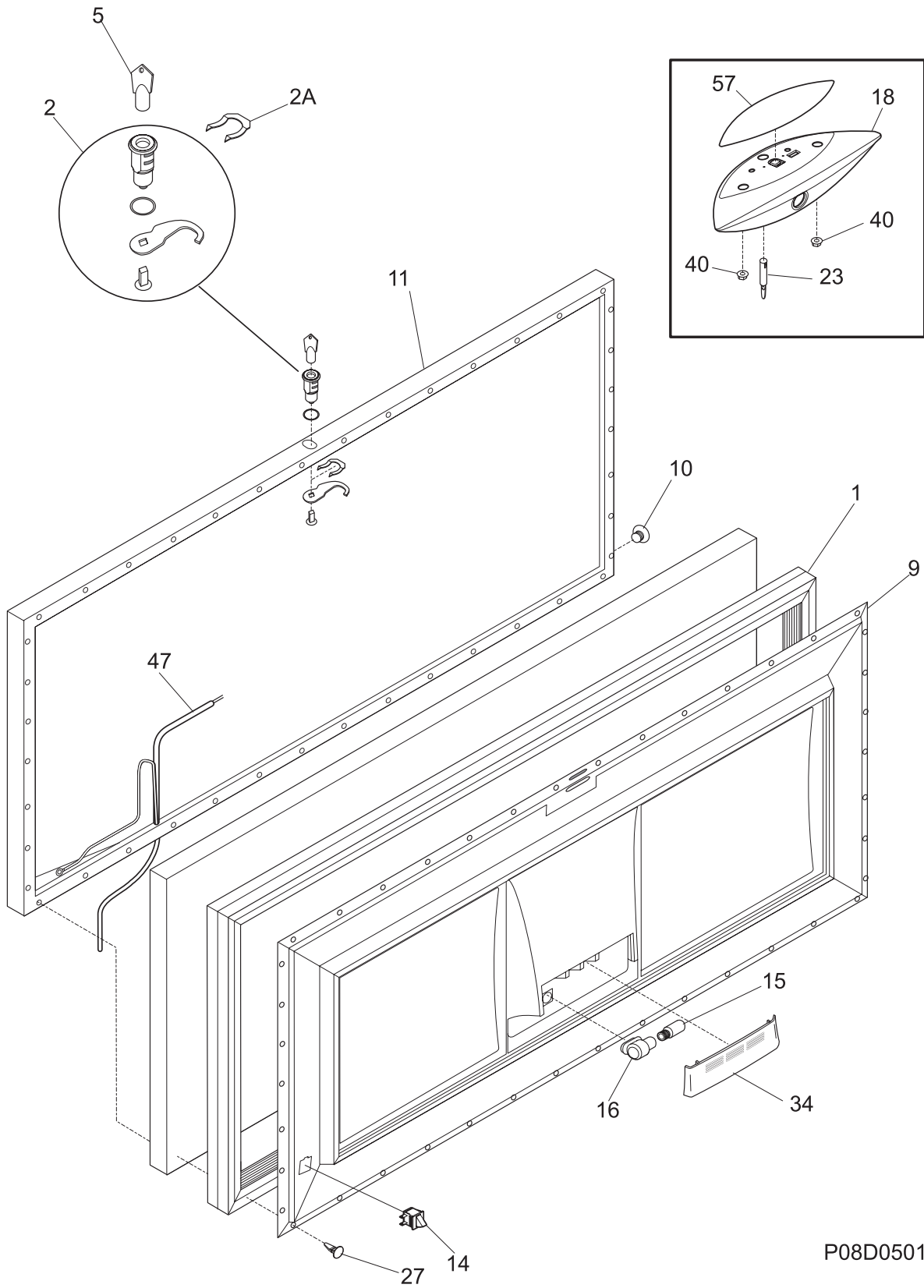
Publication No.
5995524203
08/09/17
(EN/SERVICE/MLR)
365

FREEZER CHEST

Model No.
FFN09M5HW

Copyright © 2008 Electrolux Home Products, Inc.
All rights reserved.

DOOR

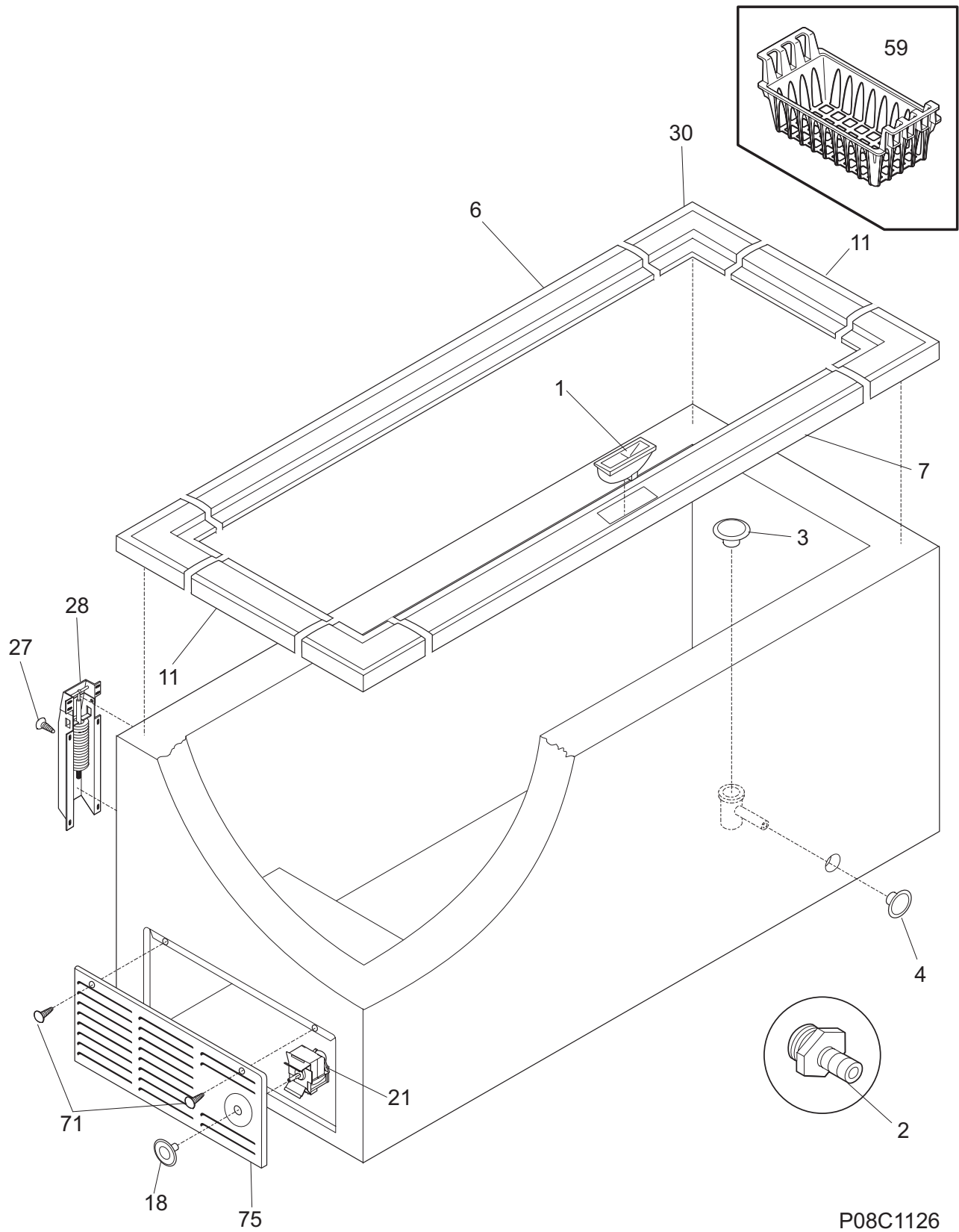


P08D0501

DOOR

POS. NO	PART NO.	DESCRIPTION
1	216481001	Gasket-door, white
2	297090200	Lock Assy
2A	297090900	Clip, spring
5	297147700	Key, lock
9	216829800	Panel-inner lid, white, frzr
10	216923001	Plug button, 1/4", white
11	216117934	Panel-outer lid, white
*	216858001	Screw, 8-18x.50 AB, #10
14	216998000	Switch, light/lamp, ramp
15	216846400	Light Bulb/Lamp
16	216817600	Socket, light/lamp, 25 W
18	216897600	Handle, white
23	216212700	Light-signal, amber
27	5303212828	Clip, panel mtg
27*	5304406520	Clip, panel mtg kit, (40)
34	297013900	Shield, light
40	216922700	Fastener, .330 dia stud, handle, (2)
47	297036600	Wiring Harness, lid/w signal lt
57	216899513	Overlay
*	5303917276	Insulation-door, fiberglass, (bulk)
*	5309948955	Clip-panel

CABINET

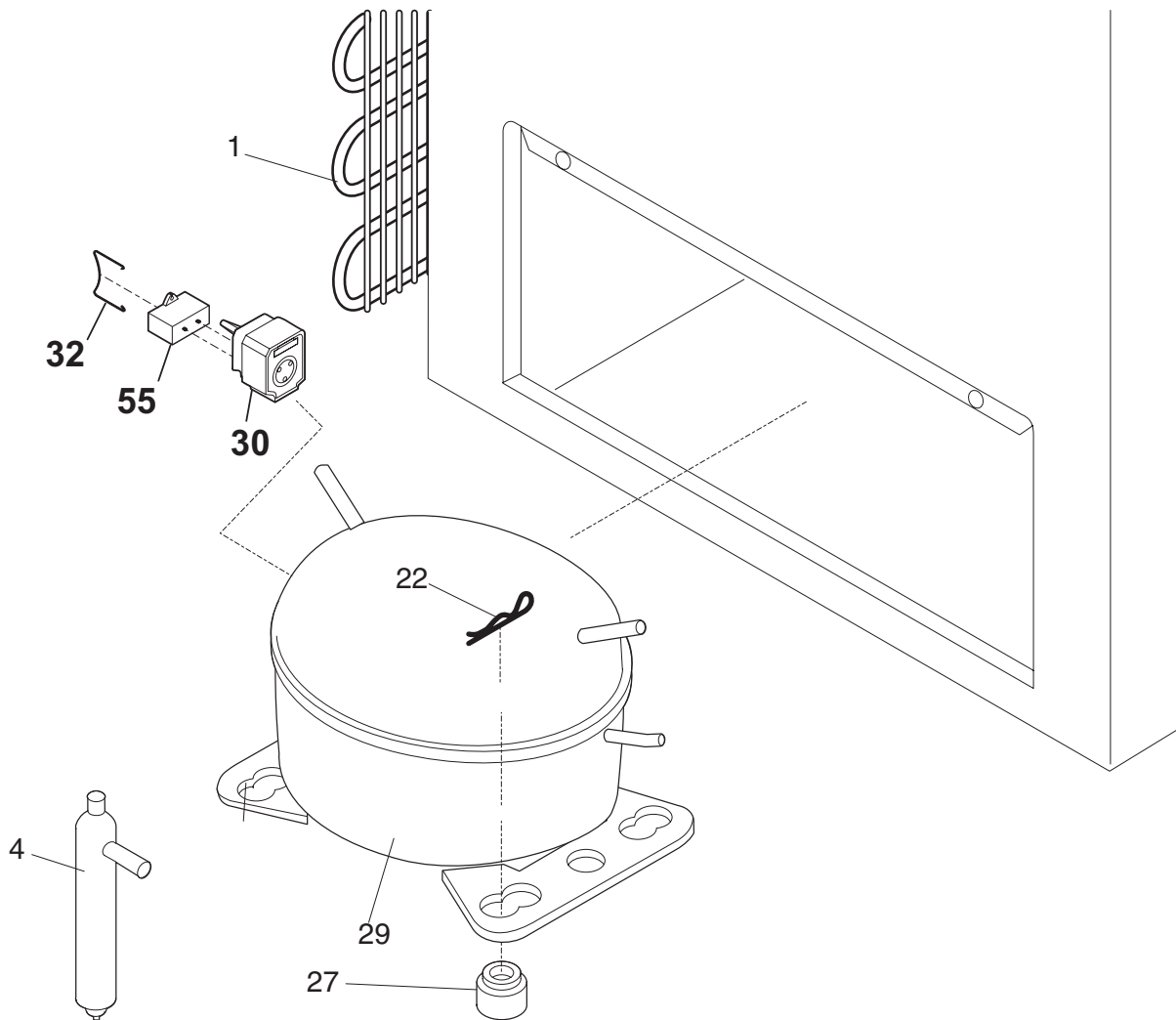
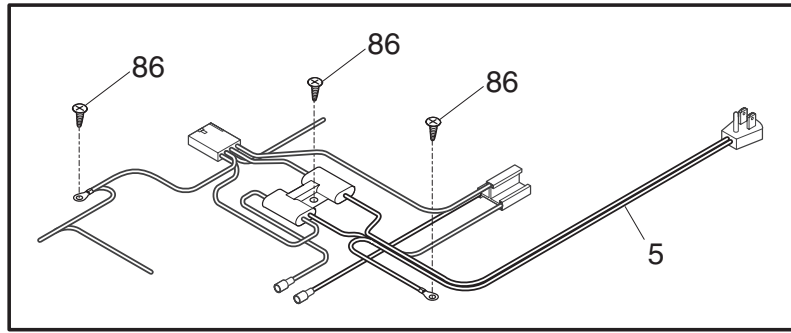


P08C1126

CABINET

POS. NO	PART NO.	DESCRIPTION
1	297014100	Catch-lock, white
2	216269500	Adapter, drain hose
3	216502600	Plug, drain, interior
4	297013600	Plug, drain, exterior
6	216855704	Breaker-hinge side, white
7	216855705	Breaker-lock side, white
11	216855706	Breaker-ends, white
18	216707200	Knob, temp control
21 #	216787700	Control-temperature
27	216337701	Screw, HWH, 10-24 x 0.500, Swage
28	216478800	Hinge Assy
30	216105500	Breaker-corners, white
59	216848200	Basket
71	5304463819	Screw, AB, 8-18X3/8
75	216782000	Panel-access, white
*	297238802	Energy Guide
*	5303305324	Paint, touch-up, white

SYSTEM



P08S0360

SYSTEM

POS. NO	PART NO.	DESCRIPTION
1 #	5300120781	Condenser
4	216987500	Drier-filter
5 #	297251401	Harness-main
*	216707801	Screw, PH, 8-32 x 1/2, wiring harness
22	216056401	Clip-compressor mtg
27	5308002681	Grommet, compressor
29 #	297237300	Compressor, w/o electricals
30	297237700	Controller
32	297030500	Clip, controller
55	216985002	Capacitor, run, 12 MF
86	216707701	Screw, 8-18 X 1/2