

Access Drawers



ADR48 48" Access Drawer (as shown)

When entertaining in your outdoor kitchen, the last thing you want to do is rush inside for a forgotten item. With the new DCS Access Drawers, you'll have everything you need at your finger tips. These new Drawers offer easy access to your LP tank, marinating meats, and cold beverages.

ADDITIONAL FEATURES:

- Quick access to your grilling tools
- Bulk access to your wood chips and other large items
- Ice tub access to store your cold beverages
- Prep access for storage of cutting board
- Tank access to easily reach your LP tank
- Patent Pending Roller Rack System™
- Available widths – 48", 36", 30", and 24"
- Stainless steel

Access Doors



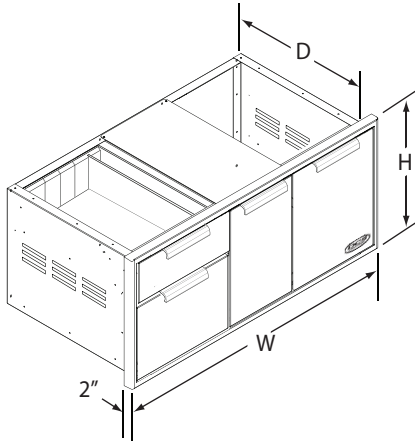
ADN20X48 48" Access Door (as shown)

For added convenience, DCS offers Built-in Access Doors that fit perfectly under your built-in grill. They provide an ideal place for accessories and condiments with a convenient condiment shelf built into the door. Like all other DCS outdoor appliances, the access doors are made of weatherproof stainless steel.

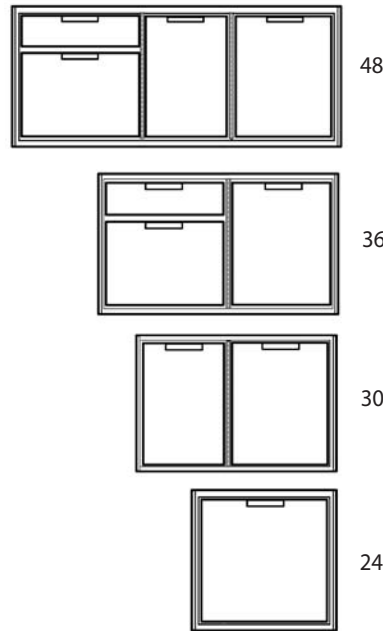
ADDITIONAL FEATURES:

- Easy access to the area underneath the built-in grill
- Available widths – 48", 36", 30" and 24"
- Stainless steel

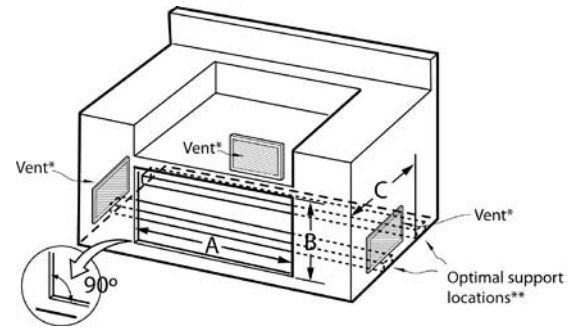
Access drawer dimensions



MODEL NUMBER	W	H	D
ADR48	48"	22"	24-1/4"
ADR36	36"	22"	24-1/4"
ADR30	30"	22"	24-1/4"
ADR24	24"	22"	24-1/4"



Cutout dimensions



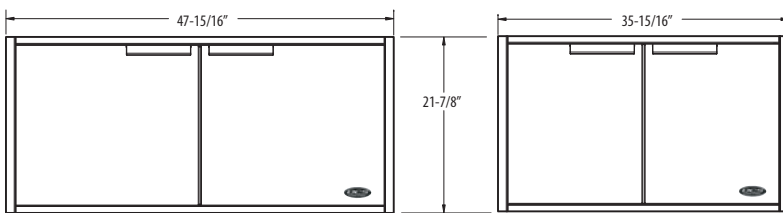
NOTE: The cutout of each corner should be 90° angle in order for the access drawers to fit properly.

* Island installation to use minimum of 3 vents, 10 square inches per vent (typical).

** For proper support and drawer operation, insure that support boards are installed per Installation Instructions

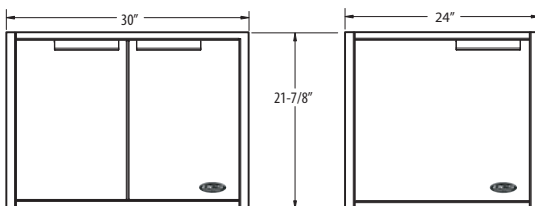
MODEL NUMBER	A (+0,+1/8)	B (+0,+1/8)	C
ADR48	46"	20"	24-1/2" (MIN, ALL MODELS)
ADR36	34"	20"	
ADR30	28"	20"	
ADR24	22"	20"	

Access door dimensions



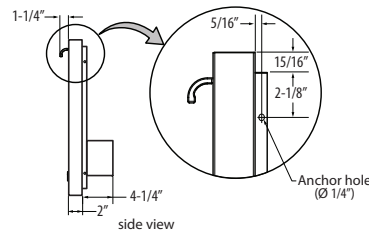
MODEL: ADN20x48

MODEL: ADN20x36

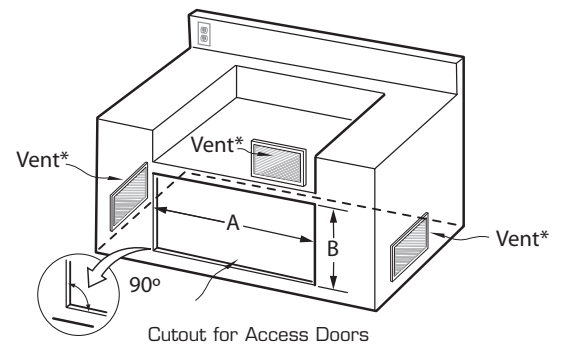


MODEL: ADN20x30

MODEL: ADN20x24



Cutout dimensions



NOTE: The cutout of each corner should be 90° angle in order for the access drawers to fit properly.

* Island installation to use minimum of 3 vents, 10 square inches per vent (typical).

MODEL NUMBER	A (+0,+1/8)	B (+0,+1/8)
ADN20x48	46"	20"
ADN20x36	34"	20"
ADN20x30	28"	20"
ADN20x24	22"	20"