

RGC304, RGC365

Document # PG04-005

Revised 05/01/09 Page 1/4

dacor
The Life of the Kitchen.®

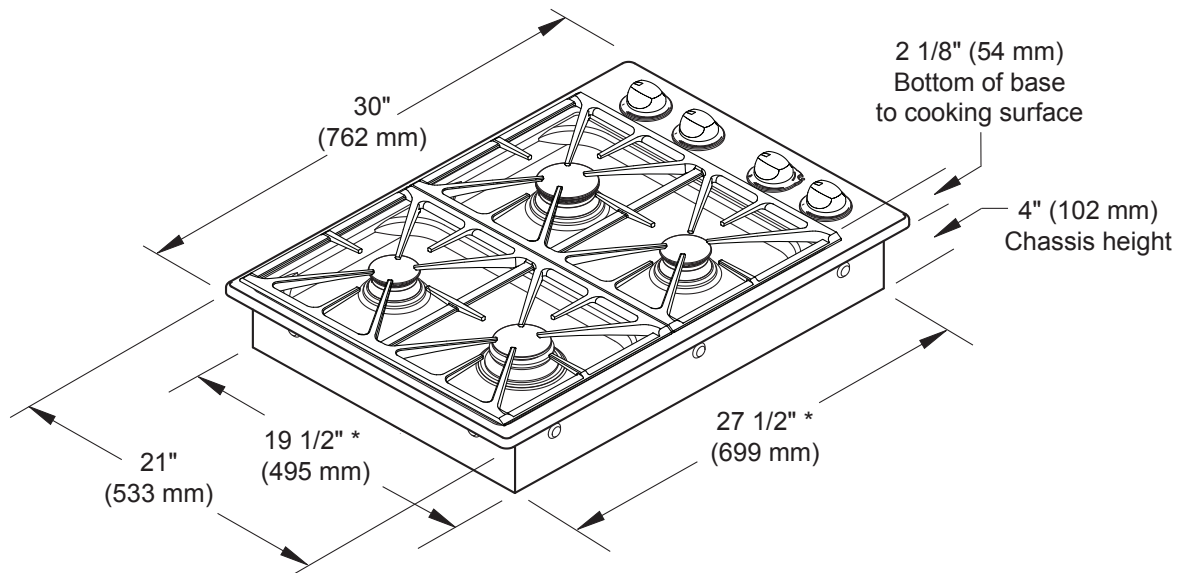
30", 36" Wide, Preference® Renaissance Gas Cooktops

PLANNING GUIDE

All tolerances $\pm 1/16"$ (± 1.6 mm) unless otherwise noted.

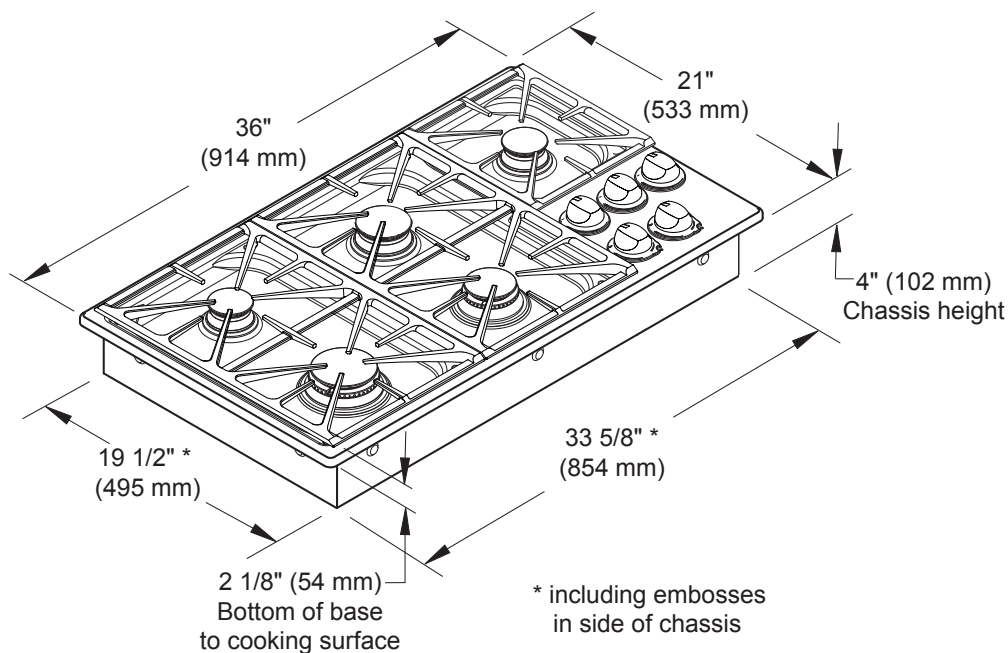
WARNING

- ◇ Observe all governing codes and ordinances during planning and installation. Contact your local building department for further information.
- ◇ This appliance must be installed in accordance with the accompanying installation instructions.



* including embosses in side of chassis

PRODUCT DIMENSIONS - MODEL RGC304



PRODUCT DIMENSIONS - MODEL RGC365

RGC304, RGC365



30", 36" Wide, Preference® Renaissance Gas Cooktops

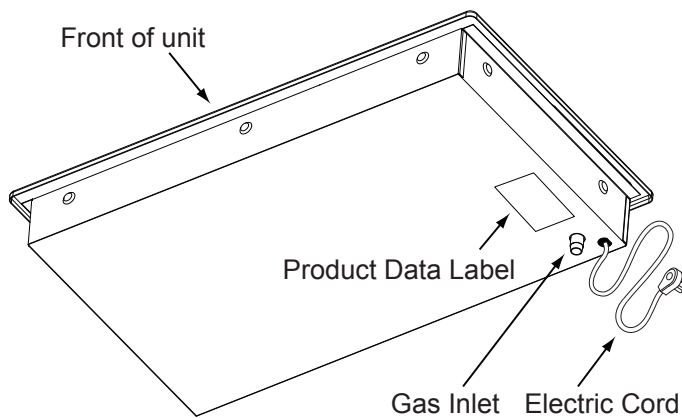
PLANNING GUIDE

Electrical Requirements

WARNING

To prevent an electric shock hazard, the power supply must meet the specifications stated below. It is the owner's responsibility to make sure that the electrical service meets electrical requirements and that the electrical outlet has been properly installed.

- ◇ The cooktop is supplied with a factory installed, 40-inch power cord with a, three-prong, grounding electrical plug. It is connected to the chassis at the bottom right rear corner (see Chassis Bottom Diagram below). It must be connected to a dedicated, grounded three-prong electrical outlet installed by a licensed electrician.
- ◇ The electrical installation, including minimum supply wire size and grounding, must be done in accordance with National Electric Code ANSI/NFPA 70* and local codes and ordinances. A copy of this standard may be obtained from:
National Fire Protection Association
1 Batterymarch Park
Quincy, Massachusetts 02269-9101
- ◇ The correct voltage, frequency and amperage must be supplied to the electrical outlet according to the product data label located on the bottom of the chassis. See the Gas and Electrical Requirements table on this page for reference.
- ◇ Be certain to locate the electrical outlet so that the power cord may be easily disconnected if the unit needs service.



CHASSIS BOTTOM DIAGRAM

Gas Supply Requirements

- ◇ Be certain that the cooktop being installed is correct for the gas service being provided (natural gas or LP gas). Also, if operating the cooktop at an altitude above 4000 ft. (1219 m) make sure it is equipped for high altitude operation.
- ◇ Units equipped for LP operation have "LP" in the model number listed on the product data label. See the Chassis Bottom Diagram for label location.
- ◇ Units equipped for high altitude operation have an "H" at the end of the model number listed on the product data label.
- ◇ Check your local building codes for the proper method of installation. In the absence of local codes, this appliance should be installed in accordance with the National Fuel Gas Code ANSI Z223.1/NFPA 54.
- ◇ An external manual shut-off valve must be installed between the gas inlet and the cooktop for the purpose of turning on or shutting off gas to the appliance.
- ◇ The cooktop comes from the factory with a regulator in the shipping carton. Use only the regulator provided. The regulator must be installed in the gas line that runs from the cooktop gas inlet to the gas shut off valve.
- ◇ The regulator inlet accommodates a 3/4" gas line. The inlet to the cooktop itself is equipped with a 3/4" male NPT fitting.

The cooktop gas connection is located on the bottom of the cooktop in the back right corner as you face the front of the unit. See the Chassis Bottom Diagram on this page.

	RGC304 RGC365	RGC304LP RGC365LP
Gas Type	Natural	LPG
Manifold Pressure	5" Water Column	10" Water Column
Min. Gas Supply Pressure**	6" Water Column	11" Water Column
Max. Gas Supply Pressure	1/2 p.s.i.	1/2 p.s.i.
Total Connected Load	0.25 Amps (0.03 kW)	0.25 Amps (0.03 kW)
Circuit Requirement	120 Vac, 60 Hz, 15 Amp.	120 Vac, 60 Hz, 15 Amp.

GAS AND ELECTRICAL REQUIREMENTS*

* The electrical and gas data on this page is for reference only. If the above data does not agree with the product data label, use the data on the product data label.

** The gas supply pressure for testing the regulator setting shall be at least 1 inch water column (249Pa) above the specified manifold pressure.

RGC304, RGC365



30", 36" Wide, Preference® Renaissance Gas Cooktops

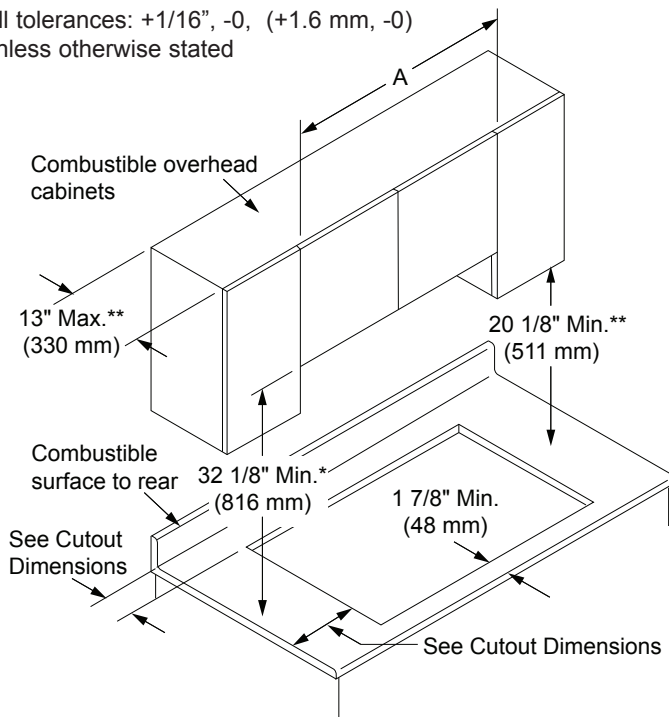
PLANNING GUIDE

Cabinet and Countertop Layout

⚠ WARNING

- To reduce the risk of personal injury caused by reaching over a hot appliance, avoid locating cabinet storage space directly above the cooktop.
 - Failure to meet or exceed the maximum and minimum dimensions/clearances stated in these instructions may result in a fire hazard.
 - Follow the countertop manufacturer's instructions regarding the minimum corner radius, use of heat reflective tape, reinforcement of corners, etc.
- ◇ Carefully check the location where the cooktop will be installed. For best performance, the cooktop should be placed away from drafts that may be caused by doors, windows and heating and air conditioning outlets.
- ◇ This appliance is to be used in conjunction with a suitable vent hood or approved Dacor raised vent system.

All tolerances: +1/16", -0, (+1.6 mm, -0) unless otherwise stated

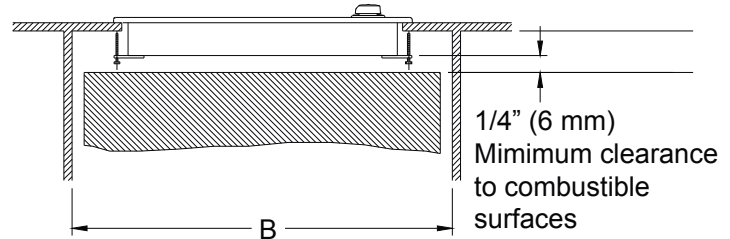


* If installing with an overhead vent hood, also check the hood specifications for minimum required clearances.
 ** Not applicable for cabinets more than a horizontal distance of 6" (152 mm) [5 1/2" (140 mm) for RGC365] from edge of cooktop. Allow 7 1/2" from cutout edge for RGC304, 7" for RGC365.

MINIMUM REQUIRED CLEARANCES AROUND THE COOKTOP

Model	A: Minimum	A: Recommended
RGC304	30" (762 mm)	36" (914 mm)
RGC365	36" (914 mm)	42" (1067 mm)

- ◇ Allow a minimum 1/4" (6 mm) clearance between the bottom of the cooktop chassis and all combustible surfaces, including the upper edge of a drawer installed below the cooktop.



Under Cabinet Clearances

Model	B: Minimum*
RGC304	29" (737 mm)
RGC365	35 1/4" (895 mm)

* To allow clearance for hold down brackets

- ◇ The gas supply piping, gas shut-off valve and the electrical outlet must be located so they do not interfere with the cooktop when it is installed. If installing another appliance in the cabinet below, allow for the routing of gas and electrical service behind it.

The installation must allow for the following:

- ◇ Access to the gas shut-off valve and regulator when the unit is installed.
- ◇ Access to the electrical outlet when the cooktop is in place. The 40" (1016 mm) power cord must be able to reach the electrical outlet
- ◇ Access to the underside of the cooktop for service and inspection purposes
- ◇ Clearance inside the cabinet to allow for proper hold down bracket installation.

To allow access to the utilities and cooktop bottom, a fixed shelf should not be installed below the cooktop. See the following pages for countertop cutout dimensions.

Raised Vent Compatibility

If installing the cooktop with a raised vent, install only the approved Dacor model numbers specified below:

Cooktop Models	Approved Raised Vent Models
RGC304	ERV30, PRV30 or RV30
RGC365	ERV36, PRV36 or RV36

RGC304, RGC365

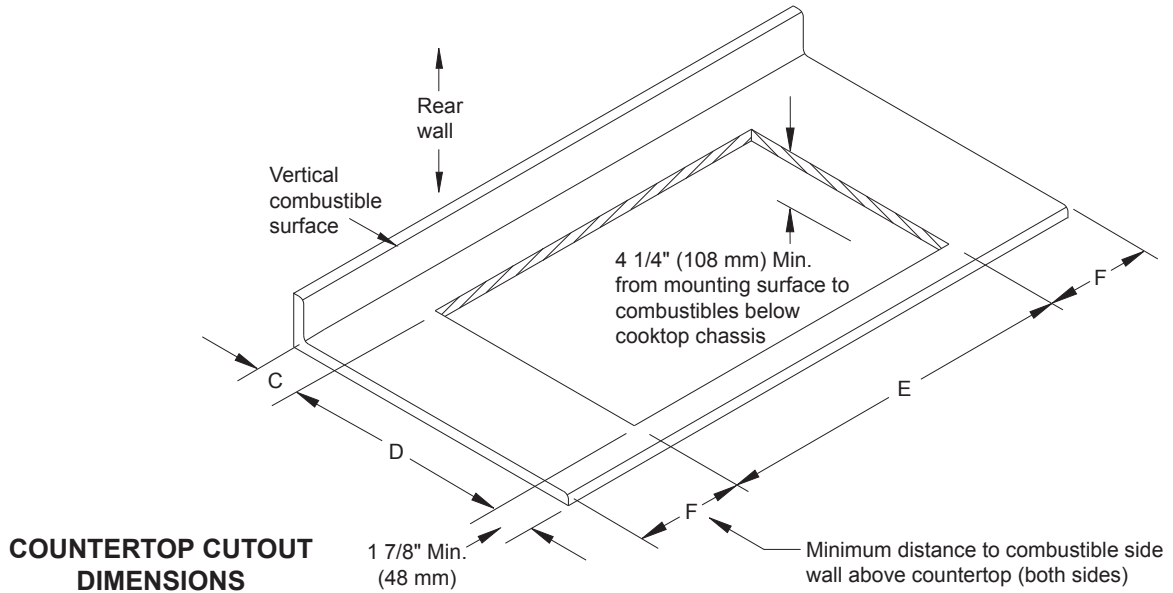


30", 36" Wide, Preference® Renaissance Gas Cooktops

PLANNING GUIDE

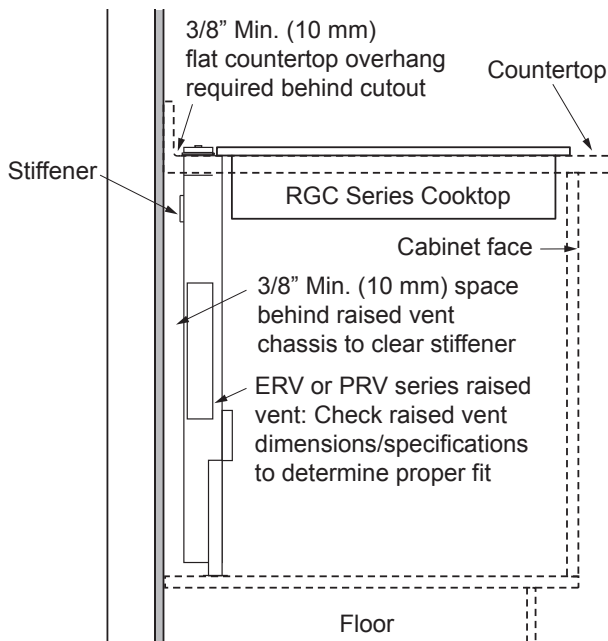
Cutout Dimensions

All tolerances: +1/16", -0, (+1.6 mm, -0) unless otherwise stated

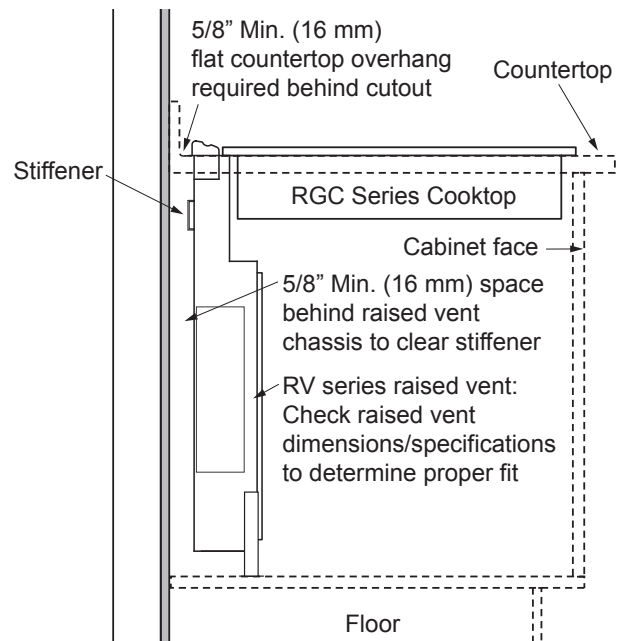


**COUNTERTOP CUTOUT
DIMENSIONS**

Installation Type	C (Minimum)	D	E	F
RGC304 with no raised vent	2 7/8" (73 mm)	19 3/4" (502 mm)	27 5/8" (701 mm)	7 1/2" (190 mm)
RGC304 with ERV30 or PRV30	3/8" (10 mm)	22 1/2" (572 mm)		
RGC304 with RV30	5/8" (16 mm)	22 1/4" (565 mm)		
RGC365 with no raised vent	2 7/8" (73 mm)	19 3/4" (502 mm)	33 3/4" (857 mm)	7" (178 mm)
RGC365 with ERV36 or PRV36	3/8" (10 mm)	22 1/2" (572 mm)		
RGC365 with RV36	5/8" (16 mm)	22 1/4" (565 mm)		



**SIDE VIEW - RGC SERIES COOKTOP WITH
ERV/PRV SERIES RAISED VENT**



**SIDE VIEW - RGC SERIES COOKTOP WITH
RV SERIES RAISED VENT**