



Installation Instructions

Epicure® 30-Inch Gas Range

For use with models ER30G and ER30GI

THIS APPLIANCE HAS BEEN TESTED IN ACCORDANCE WITH THE LATEST EDITION OF ANSI Z21.1 STANDARD FOR HOUSEHOLD GAS COOKING APPLIANCES.

Table of Contents

Important Safety Instructions	1	Self-Rimming Trim Installation	7
Important Information About Safety Instructions.....	2	Adjust the Range Height.....	8
General Safety Precautions.....	2	Install the Anti-Tip Bracket.....	9
Installation Specifications	3	Door Removal.....	9
Product Dimensions.....	3	Gas Connection.....	10
Electrical Power Supply Requirements	4	Moving the Range to Final Location	11
Gas Supply Requirements.....	4	Re-Installing the Door.....	11
Cabinet Layout.....	5	Cooktop Assembly.....	12
Gas and Electrical Locations	6	Verifying Proper Operation	13
Installation Instructions	6	Installation Checklist.....	13
Verifying the Package Contents	6	Wiring Diagram	14
Parts List.....	6	Notes	15
Backguard Kit Installation	7		

IMPORTANT:

- **Installer:** In the interest of safety and to minimize problems, read these installation instructions completely and carefully before you begin the installation process. Leave these installation instructions with the customer.
- **Customer:** Keep these installation instructions for future reference and the local building inspector's use.

Customer Service Information

If the unit requires service or you have questions or problems with installation of this product, contact your Dacor® dealer or the Dacor Customer Service Team.

Dacor Customer Service

(800) 793-0093 (U.S.A. and Canada)

Monday — Friday 6:00 A.M. to 5:00 P.M. Pacific Time

Web site: www.Dacor.com

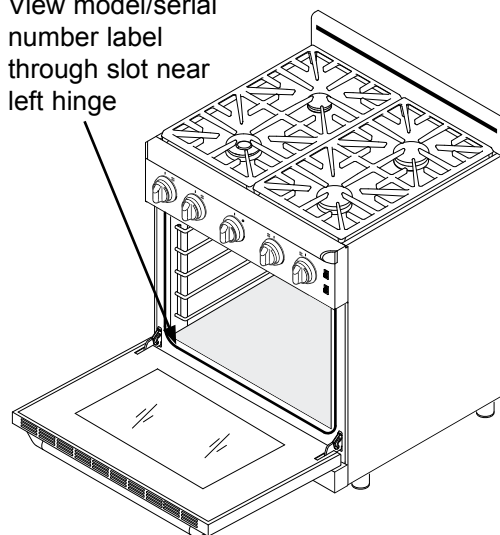
Be sure to have the model and serial number available when you call. The model and serial number are on the model/serial number label. It can be seen by opening the oven door and looking through the slot near the left hinge between the door and bottom of the oven chamber.

Model Identification

Model Number	Side Panel Type*	Gas Type	Standard Backguard*	Operating Altitude**
ER30GSCH/NG	Full	NG	6 Inch	Below 4000 Ft.
ER30GSCH/LP	Full	LP	6 Inch	Below 4000 Ft.
ER30GSCH/NG/H	Full	NG	6 Inch	4000 Ft. and over
ER30GSCH/LP/H	Full	LP	6 Inch	4000 Ft. and over
ER30GISCH/NG	Partial	NG	1 3/4 Inch	Below 4000 Ft.
ER30GISCH/LP	Partial	LP	1 3/4 Inch	Below 4000 Ft.
ER30GISCH/NG/H	Partial	NG	1 3/4 Inch	4000 Ft. and over
ER30GISCH/LP/H	Partial	LP	1 3/4" Inch	4000 Ft. and over

* See page 3 for more information. ** 4000 Ft. = 1219 M

View model/serial number label through slot near left hinge



Optional Accessories

Part Number	Description	For Use With Model(s)
AER30GLBG	Low Profile (1 3/4" Inch) Backguard Kit	ER30G***, ER30GI
AERB30G03	3" Backguard Kit	ER30G, ER30GI****
AERB30G06	6" Backguard Kit	ER30G, ER30GI****
AERB30G09	9" Backguard Kit	ER30G, ER30GI****

*** Not compatible with ER30G units with a serial number starting with the letters "KA."

**** Use only the factory installed (1 3/4") backguard with self-rimming installations.

All specifications subject to change without notice. Dacor assumes no liability for changes to specifications.

© 2008 Dacor, all rights reserved.

Important Safety Instructions

Important Information About Safety Instructions

The **Important Safety Instructions** and warnings in this Manual are not meant to cover all possible problems and conditions that can occur. Use common sense and caution when installing, maintaining or operating this appliance.

Always contact the Dacor Customer Service Team about problems or conditions you do not understand.

Safety Symbols and Labels

DANGER

Immediate hazards that **WILL** result in severe personal injury or death.

WARNING

Hazards or unsafe practices that **COULD** result in severe personal injury or death.

CAUTION

Hazards or unsafe practices that **COULD** result in minor personal injury or property damage.

DANGER

IMPORTANT: If you smell gas:

- Do not use or light any appliance.
- Do not touch any electrical switch or use any electrical devices, including the telephone, in your building.
- From a neighbors phone, immediately call the gas supplier. Follow the gas supplier's instructions.
- If you cannot contact the gas supplier, call the fire department.
- Do not return to the building until instructed to do so by the gas supplier or fire department.

IMPORTANT: Do not store or use combustible, flammable or explosive vapors and liquids (such as gasoline) inside or in the vicinity of this or any other appliance. Also keep items that could explode, such as aerosol cans, away from the burners and the oven. Do not store flammable or explosive materials in adjacent cabinets or areas.

IMPORTANT: Junked or abandoned appliances are dangerous and can cause a child entrapment and suffocation hazard. When taking an appliance out of service, **immediately** follow the instructions below to help prevent accidents:

- Take off the door.
- Leave the racks in place so children cannot easily climb inside.
- Cut the prongs off the power cable plug and discard them.
- Cut the power cable off and discard it separately from the old appliance.

WARNING

WARNING – NEVER use this appliance as a space heater to heat or warm the room. Doing so may result in carbon monoxide poisoning and overheating of the appliance.

WARNING

WARNING – Failure to install this appliance as specified in these instructions may result in personal injury or death.

WARNING

WARNING – NEVER cover any slots, holes or passages on the inside or outside of the range or cover an entire rack with materials such as aluminum foil. Doing so blocks air flow through the oven and may cause carbon monoxide poisoning. Aluminum foil linings may also trap heat, causing a fire hazard.

DANGER

TO REDUCE THE RISK OF INJURY TO PERSONS IN THE EVENT OF A RANGE TOP GREASE FIRE:

- a. SMOTHER FLAMES with a close-fitting lid, cookie sheet or metal tray, then turn off the burner. BE CAREFUL TO PREVENT BURNS. If the flames do not go out immediately, EVACUATE AND CALL THE FIRE DEPARTMENT.
- b. NEVER PICK UP A FLAMING PAN - you may be burned.
- c. DO NOT USE WATER, including wet dish cloths or towels - a violent steam explosion may result.
- d. Use a fire extinguisher ONLY if:
 - ◇ You have a Class ABC extinguisher, and you already know how to operate it.
 - ◇ The fire is small and contained in the area where it started.
 - ◇ The fire department is being called.
 - ◇ You can fight the fire with your back to an exit.

CALIFORNIA PROPOSITION 65 WARNING

The burning of gas cooking fuel generates some by-products that are on the list of substances which are known by the State of California to cause cancer or reproductive harm. California law requires businesses to warn customers of potential exposure to such substances. To minimize exposure to these substances, always operate this unit according to the use and care manual, ensuring you provide good ventilation when cooking with gas.

READ AND SAVE THESE INSTRUCTIONS

Important Safety Instructions

General Safety Precautions

To reduce the risk of fire, explosion, electric shock, serious injury or death when installing or using this appliance, follow basic safety precautions, including the following:

WARNING

- Read the accompanying use and care manual completely before operating this appliance.
- Keep packaging materials away from children. Plastic sheets and bags can cause suffocation.
- If you receive a damaged product, immediately contact your dealer or builder. Do not install or use a damaged appliance.
- This range must be properly installed by a qualified installer according to these installation instructions prior to use. The installer should show the customer the location of the gas shut off valve and the fuse or junction box so that they know where and how to turn off the gas supply and electric power to the range.
- Do not operate the range without the backguard in place. A fire may result.
- Do not install, repair or replace any part of the range unless specifically recommended in the literature accompanying it. A qualified service technician should perform all other service.
- Do not connect this range to the gas supply without the supplied gas pressure regulator installed.
- Before performing any type of service or installation, make sure that the gas supply to the range is turned off and the power cord is disconnected.
- NEVER block or cover any slots, holes or passages anywhere inside the oven or on the outside of the range or cover an oven rack with materials such as aluminum foil. Doing so blocks airflow through the oven and cooktop and may cause carbon monoxide poisoning or fire.
- Do not cover the IR broil burner in the top of the oven with cookie sheets, aluminum foil, pots, pans, etc. Covering it could cause it to overheat resulting in a risk of fire and damage to the oven.
- Only use the range for cooking tasks expected of a home appliance as outlined in the literature accompanying it. This range is not intended for commercial use. This range is certified for indoor installation only.
- DO NOT TOUCH THE SURFACES OF THE OVEN OR COOKTOP DURING OR IMMEDIATELY AFTER USE.
- Do not climb on any part of the appliance.
- Never leave this appliance unattended when in use.
- Do not leave children alone or unattended in the area around the range. Do not allow children to play with the controls, pull on the handle, or touch other parts of the range.
- Do not store items of interest to children on top of or above the range. Children could be burned or injured while climbing on the appliance.
- Do not attempt to use this appliance in the event of a power failure.
- Do not tamper with the controls. Do not adjust or alter any part of the range unless specifically instructed to do so in these instructions.
- To prevent the unit from tipping forward and to provide a stable installation, this range must be secured in place with the anti-tip device as specified in these instructions.
- Clean the cooktop thoroughly before operating it for the first time.
- Keep flammable items, such as paper, cardboard, plastic and cloth away from the burners and other hot surfaces. Do not place such items in the oven. Do not allow pot holders to touch hot surfaces or gas burners.
- Do not wear loose or hanging apparel while using the range. Do not allow clothing to come into contact with the interior of the oven or the cooktop and surrounding areas during and immediately after use.
- To avoid a fire hazard, do not hang flammable or heat sensitive objects over the range.
- If the range is near a window, do not use long curtains as window treatment. The curtains could blow over the cooktop and create a fire hazard.
- Do not use the oven for storage.
- Make sure that all the cooktop parts are dry before lighting a burner.
- Turn the knobs to the **OFF** position prior to removing them from the valve stems.

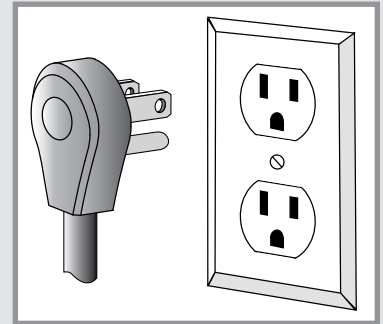
Important Safety Instructions

⚠ WARNING

- For your safety, do not use the oven to cook without the convection filter installed. When the filter is not installed, the spinning fan blades at the back of the oven are exposed.
- The cooktop should never be operated without the knobs and trim rings in place.
- Non-stick coatings, when heated, can be harmful to birds. Remove birds to a separate, well-ventilated room during cooking.
- Always ensure that the light fixture lens cover is in place when using the oven. The lens cover protects the light bulb from breakage caused by high oven temperatures or mechanical shock.

IMPORTANT - This appliance is equipped with a three-prong grounding plug for your protection against possible electric shock hazards. Plug it only into a dedicated, grounded three-prong electrical outlet. It is the responsibility of the customer to make sure the proper type of outlet is installed. Do not under any circumstances:

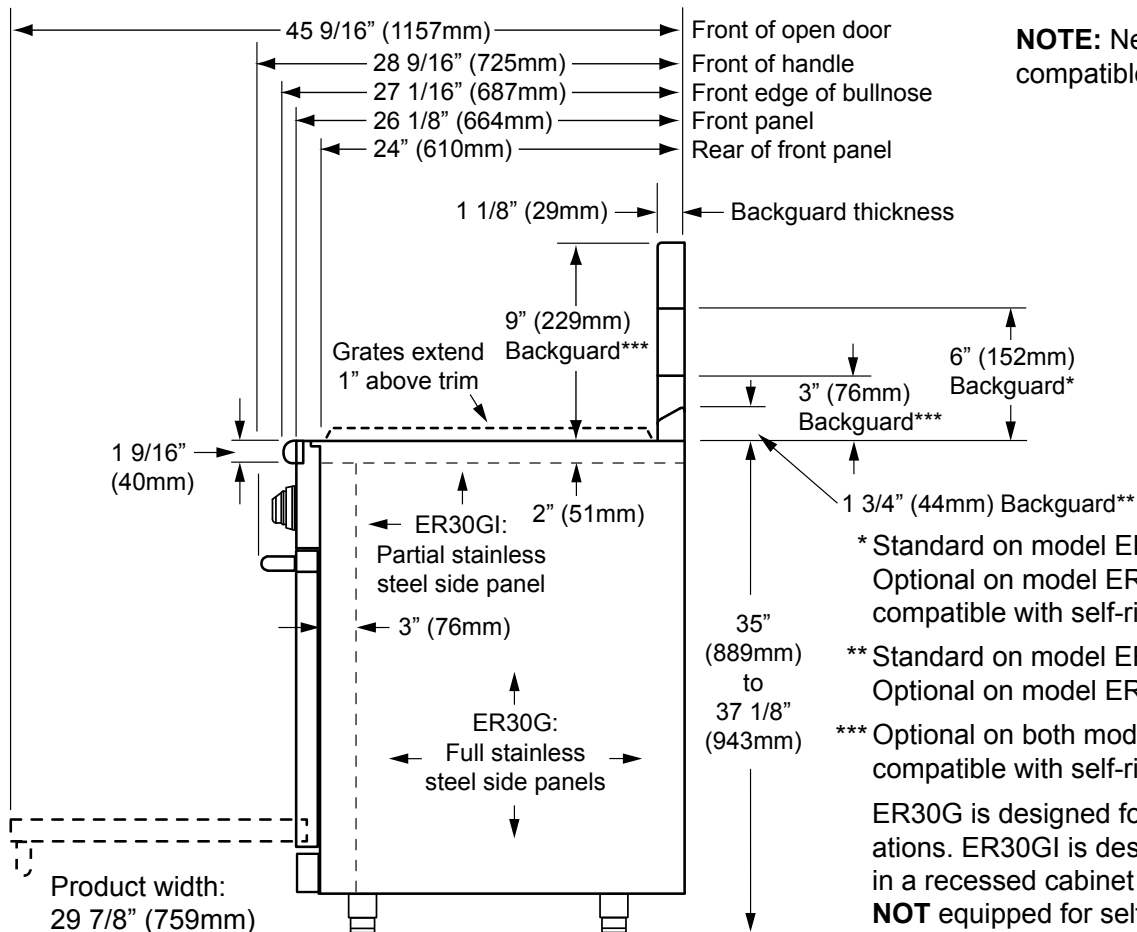
- Cut or remove the third (ground) prong from the power cord.
- Use an adapter plug.
- Use an extension cord.
- Use a power cord that is frayed or damaged.
- Connect to an electrical outlet with a ground fault interrupter (GFI).



Installation Specifications

Product Dimensions

All tolerances: $\pm 1/16"$ ($\pm 1.6\text{mm}$), unless otherwise stated



NOTE: Neither model is compatible with a raised vent.

* Standard on model ER30G
 Optional on model ER30GI, **NOT** compatible with self-rimming installations

** Standard on model ER30GI
 Optional on model ER30G

*** Optional on both models, **NOT** compatible with self-rimming installations
 ER30G is designed for freestanding installations. ER30GI is designed for installation in a recessed cabinet or island. ER30G is **NOT** equipped for self-rimming installation.

Overall Dimensions

Installation Specifications

⚠ WARNING

- Observe all governing codes and ordinances during planning and installation. Contact your local building department for further information.
- To prevent an electric shock hazard, the power supply must meet the specifications stated below. It is the owner's responsibility to make sure that the electrical service meets electrical requirements and that the electrical outlet has been properly installed by a licensed electrician.

Electrical Power Supply Requirements

- The range is supplied with a factory installed, 6 foot long, power cord with a three-prong grounding plug. It is connected to the chassis at the rear of the range. It must be connected to a dedicated, grounded three-prong electrical outlet installed by a licensed electrician.
- The electrical installation, including minimum supply wire size and grounding, must be done in accordance with National Electric Code ANSI/NFPA 70* and local codes and ordinances. A copy of this standard may be obtained from:

National Fire Protection Association
1 Batterymarch Park
Quincy, Massachusetts 02269-9101

- The correct voltage, frequency and amperage must be supplied to the electrical outlet according to the product data label located on the top of the kick plate under the door. Remove the door to view the data label (see page 9). See the **Electrical Supply Requirements** table below for reference.

Electrical Circuit Required	Total Connected Load
120 Vac 60Hz, 15 Amp.	0.5 kW (4.0 Amp.)

Electrical Supply Requirements

IMPORTANT: The above information is for reference only. If the information above differs from the information on the product data label on the appliance, use the information on the label.

Gas Supply Requirements

- Be certain that the range being installed is correct for the gas service being provided (natural gas or LP gas).
- Check your local building codes for the proper method of installation. In the absence of local codes, this appliance should be installed in accordance with the National Fuel Gas Code ANSI Z223.1/NFPA 54.
- An external manual shut-off valve must be installed between the gas inlet and the range for the purpose of turning on or shutting off gas to the appliance.
- The cooktop comes from the factory with the regulator installed. Use only the installed regulator. The inlet accommodates a 3/4" gas line. The range ships with a 1/2" to 3/4" adapter connected to the regulator.

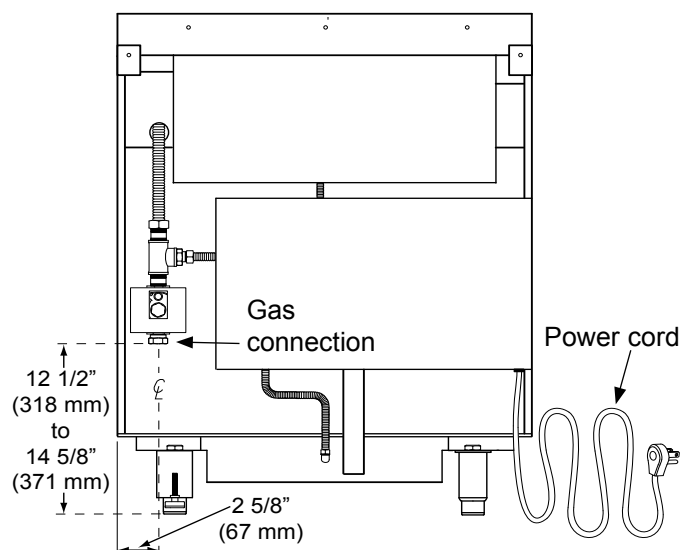
Gas Type	Manifold Pressure* (WC)	Min. Gas Supply Pressure (WC)	Max. Input Pressure
Natural	5"	6"	1/2 p.s.i.
LP	10"	11"	1/2 p.s.i.

Gas Supply Requirements

* The gas supply pressure for testing the regulator setting shall be at least 1 inch water column (249Pa) above the specified manifold pressure.

IMPORTANT: The information above is for reference only. If the above data does not agree with the product data label, use the data on the product data label on top of the kick plate below the door (remove the door according to the instructions on page 9 to view it).

The gas connection is located on the back of the unit as shown below.



Installation Specifications

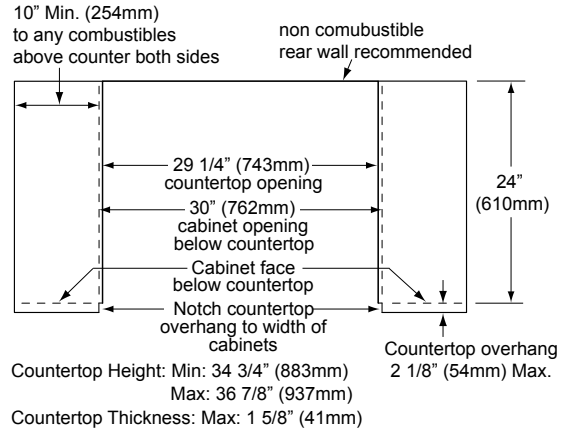
Cabinet Layout

⚠ WARNING

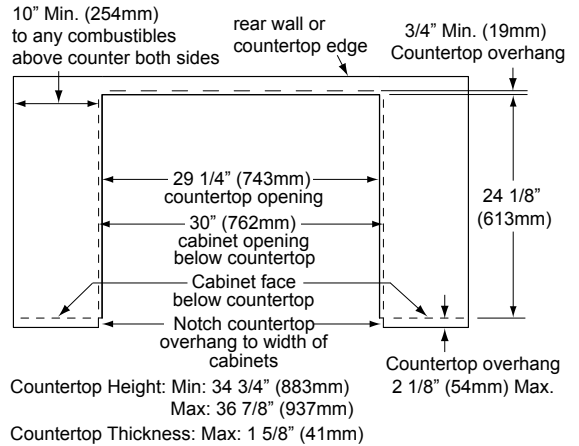
Failure to meet or exceed the maximum and minimum dimensions/clearances stated may result in a fire hazard.

- Carefully check the location where the range is to be installed. For best performance, the range should be placed away from drafts that may be caused by doors, windows and heating and air conditioning outlets.
- To reduce the risk of personal injury and to reduce accumulated smoke in the room, Dacor strongly recommends installing a range hood. A range hood should project horizontally a minimum of five (5) inches beyond the face of the cabinets. If installing a range hood, see the range hood specifications for minimum clearances in addition to those stated below.
- The range may be installed flush to the rear wall. Dacor recommends installing a non-combustible material on the rear wall above the range and up to the vent hood. It is not necessary to install non-combustible materials behind the range below the countertop height.
- Regardless of the type of back wall surface, the range must not be installed or operated without the backguard in place.

- Any openings in the wall behind the appliance or in the floor underneath it must be sealed.
- If cabinet storage space is to be provided directly above the range, the risk of personal injury may be reduced by installing a ventilating hood that projects horizontally a minimum of 5 inches beyond the face of the cabinets.



Self-Rimming Cutout Dimensions - Cabinet Depth Exactly 24 Inches⁵



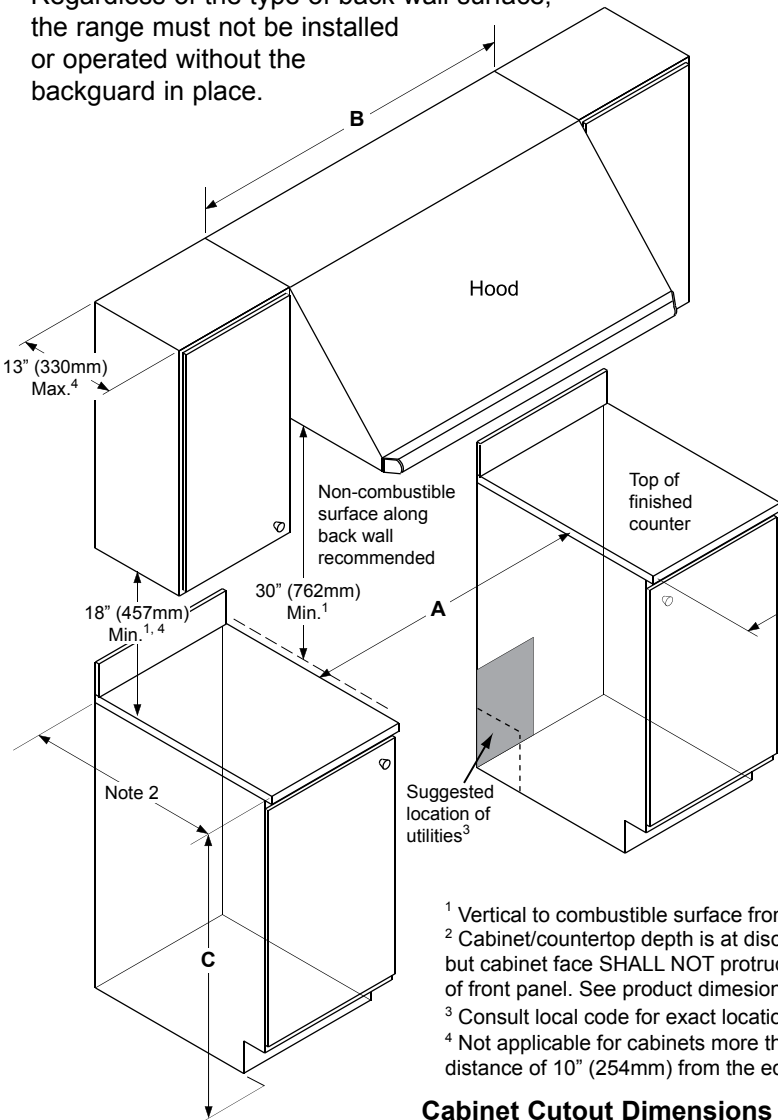
Self-Rimming Cutout Dimensions - Cabinet Depth Greater Than 24 Inches⁵

⁵ Model ER30GI only. Included self-rimming trim kit allows trim to overlap counter on sides and back.

10" (254mm) Min. to combustible side walls above the range (both sides)

A ⁶	B	C
30" minimum (762mm)	36" (914mm) recommended 30" (762mm) minimum	37 1/8" (943mm) maximum

⁶ See cutout dimensions above for self-rimming installations.



¹ Vertical to combustible surface from range grate level
² Cabinet/countertop depth is at discretion of customer but cabinet face SHALL NOT protrude further than rear of front panel. See product dimensions.
³ Consult local code for exact location requirements.
⁴ Not applicable for cabinets more than a horizontal distance of 10" (254mm) from the edge of the range.

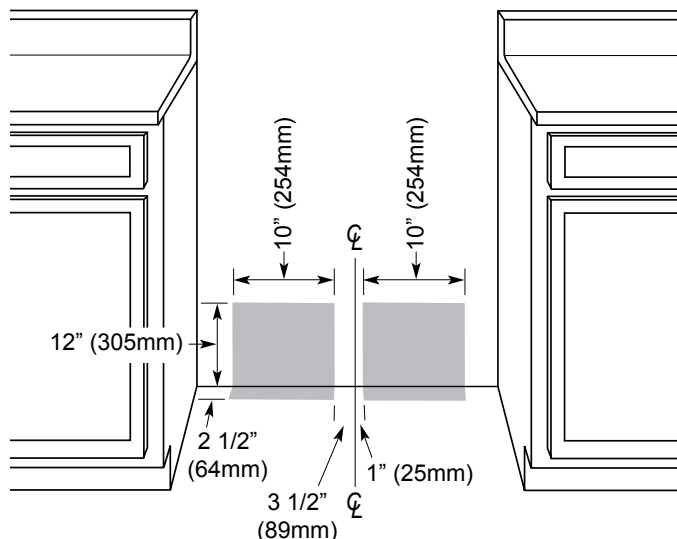
Cabinet Cutout Dimensions

All tolerances: +1/16", -0 (+1.6, -0 mm) unless otherwise stated

Installation Specifications

Gas and Electrical Locations

- The installation must allow for the following:
 - ◇ Access to the gas shut-off valve when the unit is installed.
 - ◇ Access to the electrical outlet, when the range is in place.
 - ◇ The gas supply piping, gas shut-off valve and the electrical junction box or receptacle must be located so they do not interfere with the range when it is installed.
 - ◇ The electrical outlet and gas shut off valve must be located so that the range can be pulled out for service while the appliance remains connected.
- Both the gas supply piping and shut-off valve and the electrical outlet must be located so they do not interfere with the range when it is installed.
- Existing utility connections may be used for replacement purposes, provided they meet local code and fit within the utility clearance area at the back of the range (see diagram, right).



Utility Clearance Behind Range

Installation Instructions

Verifying the Package Contents

Unpack the range and verify that all required parts have been provided. If any item is missing or damaged, please contact your dealer immediately. Do not install a damaged or incomplete appliance. The customer must report cosmetic issues immediately to the dealer or builder.

⚠ WARNING

- Observe all governing codes and ordinances during planning and installation. Contact your local building department for further information.
- If the gas or electric service provided does not meet the product specifications, do not proceed with the installation. Call the selling dealer, the gas supplier or a licensed electrician.
- This appliance must be installed by a licensed plumber or gas fitter when installed within the Commonwealth of Massachusetts.

Parts List

- Anti-tip bracket
- 2 grates
- Use and care manual
- Stainless steel cleaner
- 1 dual burner ring
- 1 outer dual burner cap
- 1 inner dual burner cap
- 3 standard burner caps (2 large, 1 small)
- 3 standard burner rings (2 large, 1 small)
- 3 oven racks

The following parts are included with model ER30GI only. They are for use with self-rimming installations:

- 3 Self-rimming trim pieces (left, right, rear)
- 11 #8 x 1/4 Torx screws
- 2 Backguard support brackets

See the use and care manual for a list of other optional accessories and parts.

Installation Instructions

Backguard Kit Installation

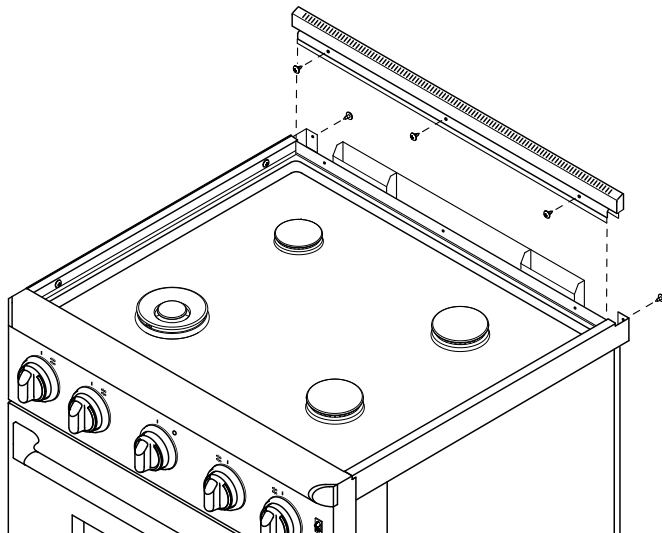
See the inside cover for available part numbers and compatibility.

If installing a backguard other than the standard size, install it before pushing the range into place. Install the kit according to the accompanying installation instructions. A T-20 Torx driver is required.

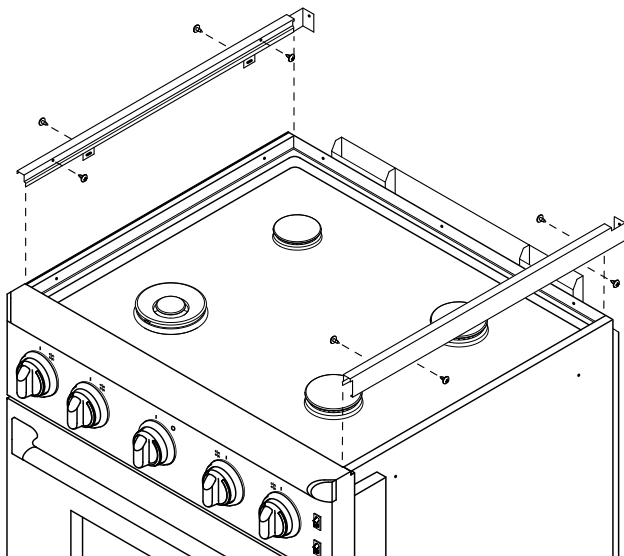
Self-Rimming Trim Installation

The trim kit is for use with model ER30GI with a self-rimming cutout only. Install the trim pieces before pushing the range into place. A T-20 Torx driver is required.

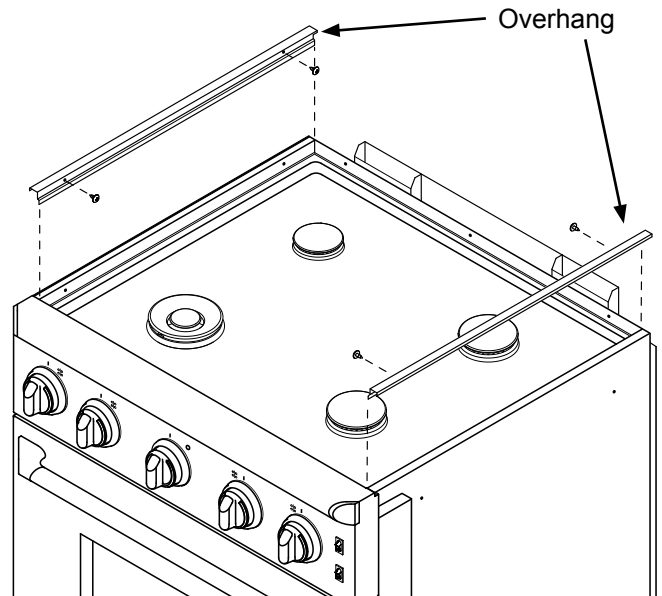
1. Locate the three (3) trim pieces, the two (2) support brackets and the eleven (11) #8 x 1/4 Torx screws included with the range.
2. Remove and discard the five (5) screws that hold the backguard in place. Slide the backguard up to remove.



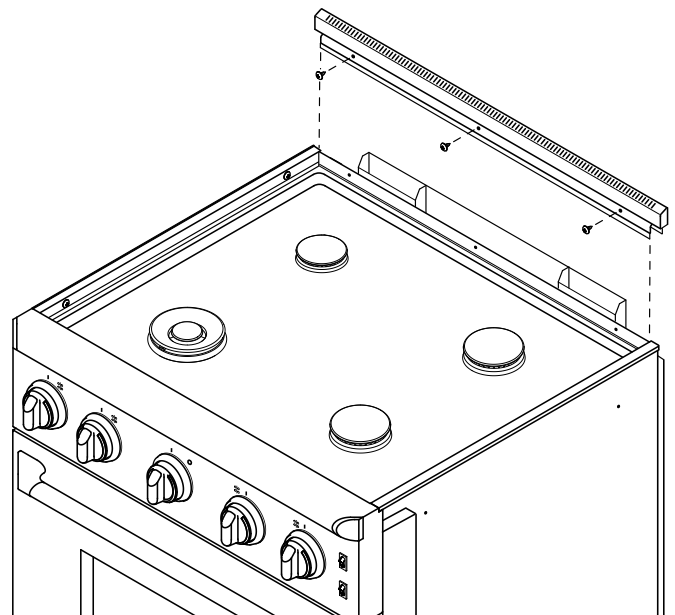
3. Remove and discard the screws (4 each) that hold the existing left and right trim pieces in place.
4. Slide the existing left and right trim pieces up and off the range.



5. Slide the provided left and right trim pieces onto the range. The overhang on each piece goes toward the back.
6. Fasten the new trim pieces in place using the provided #8 x 1/4 Torx screws (2 each side). **IMPORTANT:** To ensure proper fit of the range in the cutout, do not use the screws removed from the range in step 4. Use only the provided #8 x 1/4" Torx screws.



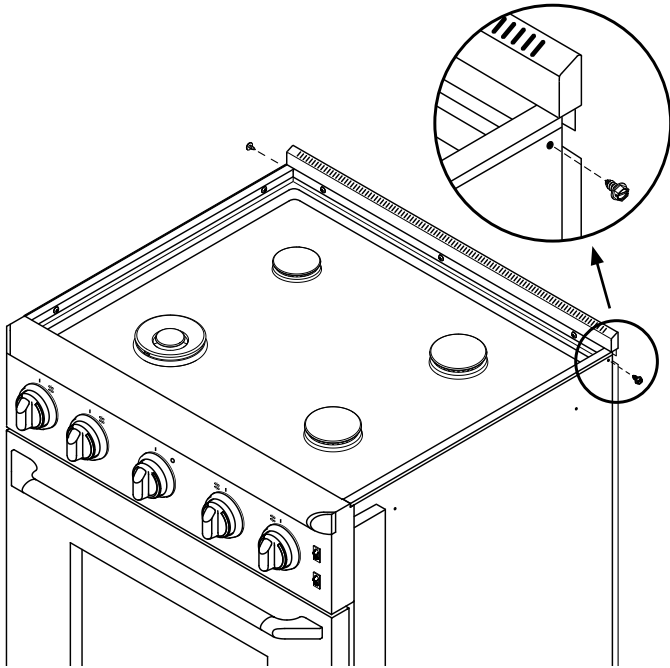
7. Reattach the backguard using three (3) of the #8 x 1/4" Torx screws.



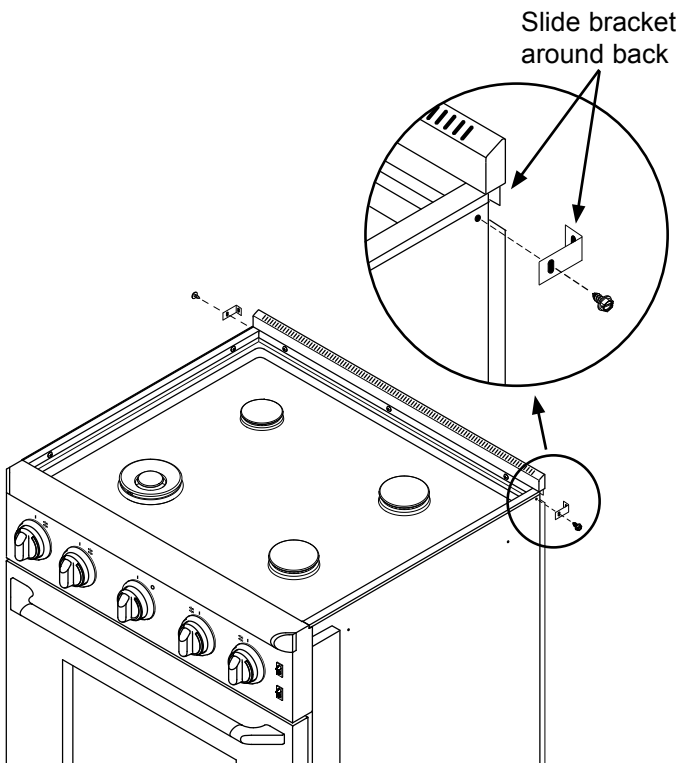
Installation Instructions

Self-Rimming Trim Installation (cont.)

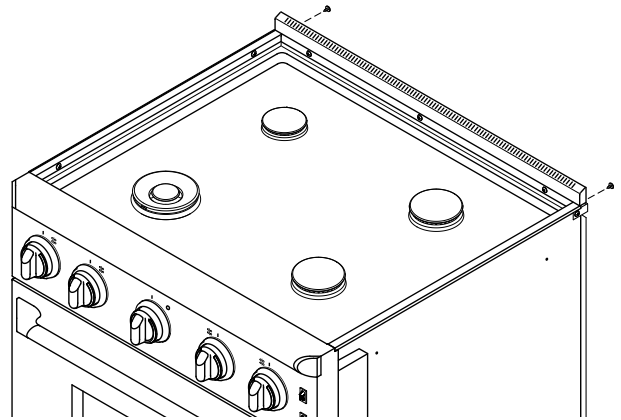
- Remove and retain the two (2) hex head screws from the top back corners of the sides of the chassis as shown.



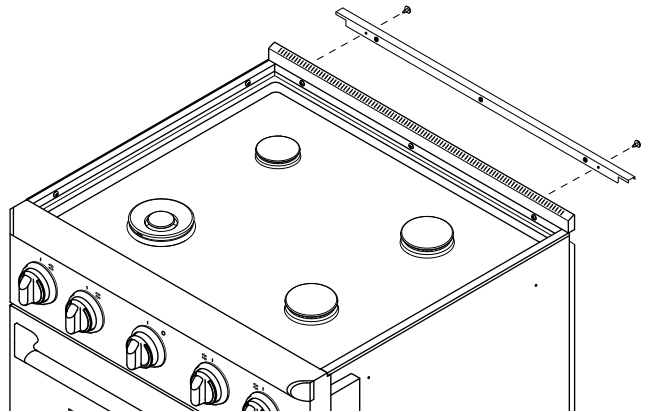
- Using the hex screws removed in step 8, attach the backguard support brackets as shown. The long end of each bracket goes toward the front of the range. Slip the back side of the bracket over the back side of the backguard.



- Using two (2) of the provided #8 x 1/4 screws, attach the bracket to the backguard as shown. Each screw threads into the backguard through the hole in the back of the bracket.

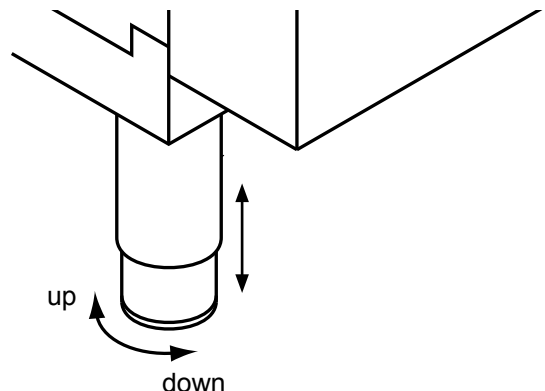


- Install the rear trim piece on the back side of the backguard with the two (2) remaining #8 x 1/4 screws.



Adjust the Range Height

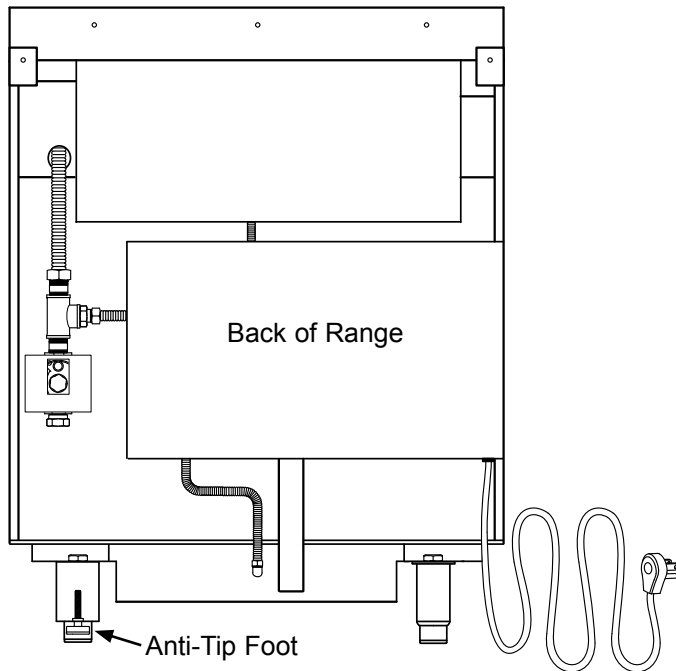
- For stand alone configurations, raise the range until the top of the trim around the cooktop is at least the same height as the countertop. For self-rimming configurations, raise the range until the bottom of the trim surrounding the cooktop is even with the countertop. To adjust the height, turn the foot on the bottom of each leg as shown below.
- Use a level to make sure that the range does not tilt front to back or side to side. Readjust the legs as necessary.



Installation Instructions

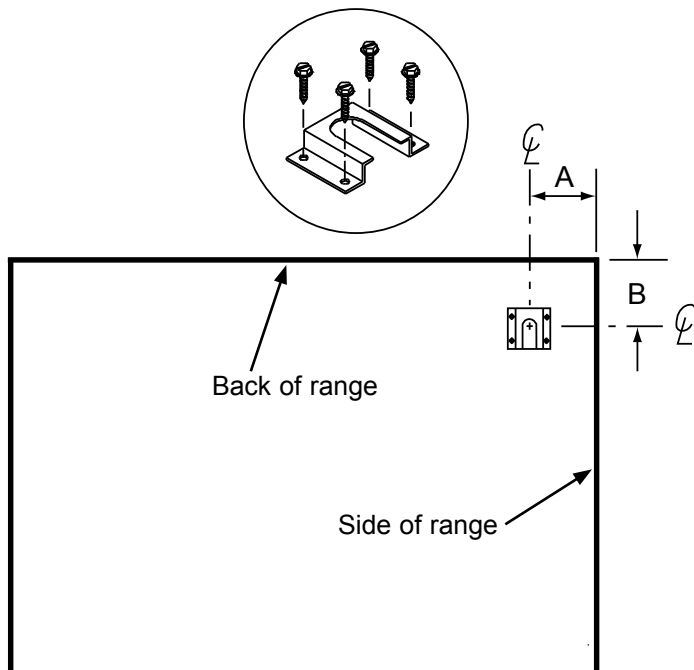
Install the Anti-Tip Bracket

1. Locate the anti-tip foot on the back of the range and turn it until the bottom of it is 1/16" (2 mm) off the floor.



2. Locate the anti-tip bracket included in the parts box.
3. Install the anti-tip bracket on the floor using the four (4) included screws. See the diagram below.

Anti-Tip Bracket Placement	
A	4 1/4" (10.8 cm)
B	2 1/2" (6.4 cm)



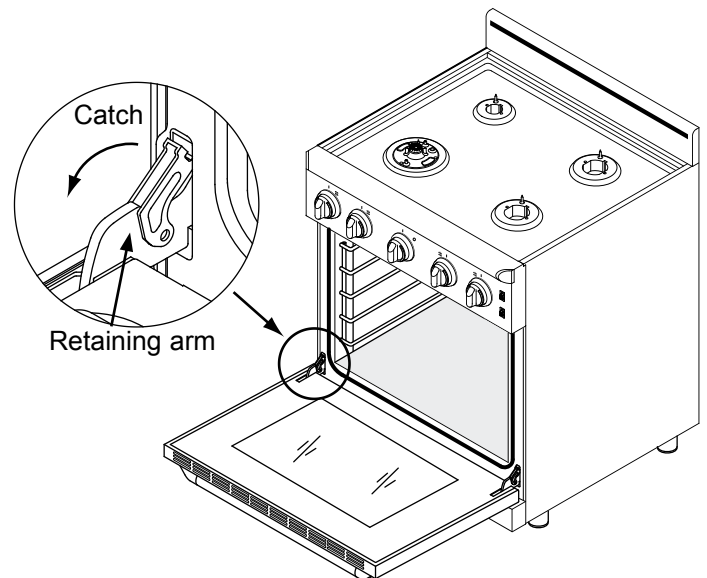
Door Removal

Remove the door to make the range easier to move during the installation process.

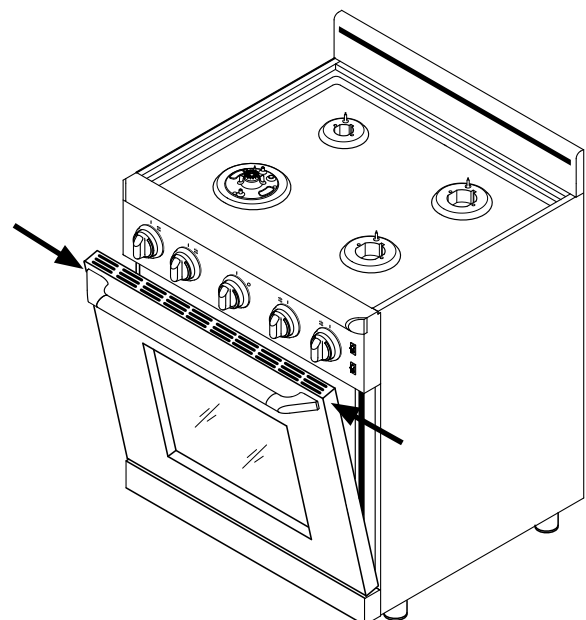
⚠ WARNING

- Do not attempt to disengage the hinge catches with the door removed from the oven. The hinge springs could release causing personal injury.
- Do not lift or carry the oven door by the door handle.

1. Open the door to its fully opened position.
2. Use a flat blade screwdriver to rotate the catch over the retaining arm on both hinges.



3. Lift the oven door to about a 15° angle from the vertical position.
4. Hold the door with both hands just below the handle. Pull the door up and away from the oven.



Door Gripping Points

Installation Instructions

Gas Connection

WARNING

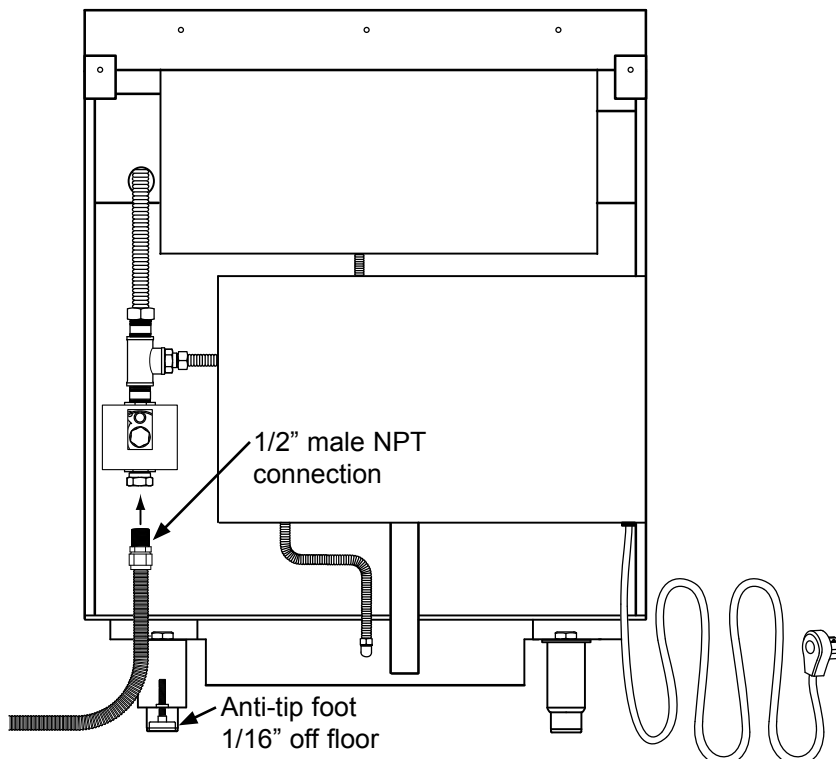
- Make sure the gas is turned off at the gas supply valve before connecting the gas line.
- Verify that the gas supply meets specifications before connection. See page 4.
- Do not apply excessive pressure when tightening gas connections and fittings.
- Do not use Teflon tape or plumber's putty on flexible gas line connections.
- Test the gas lines for leaks as instructed before use. If a leak is detected, open all doors and windows and allow the gas to dissipate before fixing the leak and testing the unit.
- Do not use a flame to check for leaks.
- The maximum gas supply pressure to the regulator must never exceed $\frac{1}{2}$ pounds per square inch (psi) or 3.5 kPa.
- The range and shut-off valve must be disconnected from the gas supply piping system during any pressure testing exceeding $\frac{1}{2}$ psi (3.5 kPa).
- The range must be isolated from the gas supply piping system by closing the shut-off valve to the cooktop during any gas supply piping system pressure testing equal to or less than $\frac{1}{2}$ psi (3.5 kPa).
- For LP gas installations, the LP gas tank must have its own high-pressure regulator in addition to the pressure regulator installed on the range.

IMPORTANT: The installed gas pressure regulator is pre-set at the factory for the type of gas intended for use with the appliance. Verify that the appliance is compatible with the type of gas available by checking the product data label attached to the appliance. Ranges intended for use with LP gases will have "LP" as a part of the model number. Consult your dealer if the range is not compatible with your gas supply.

1. Make sure the gas supply valve is in the off position and the range power cord is disconnected.
2. Connect a flexible gas supply line to the gas shut-off valve previously installed on the stub out. The gas line needs to be long enough to allow the range to be pulled out for service.
3. Connect the gas line to the regulator on the back of the range.
4. Turn all cooktop control valves to the "OFF" position.
5. Turn on the gas supply valve and check all lines and connections for leaks using a soap and water solution or an electronic gas leak detector.
6. Turn the gas supply off.



"OFF"
symbol on
knob



Gas Line Connection

Installation Instructions

Moving the Range to Final Location

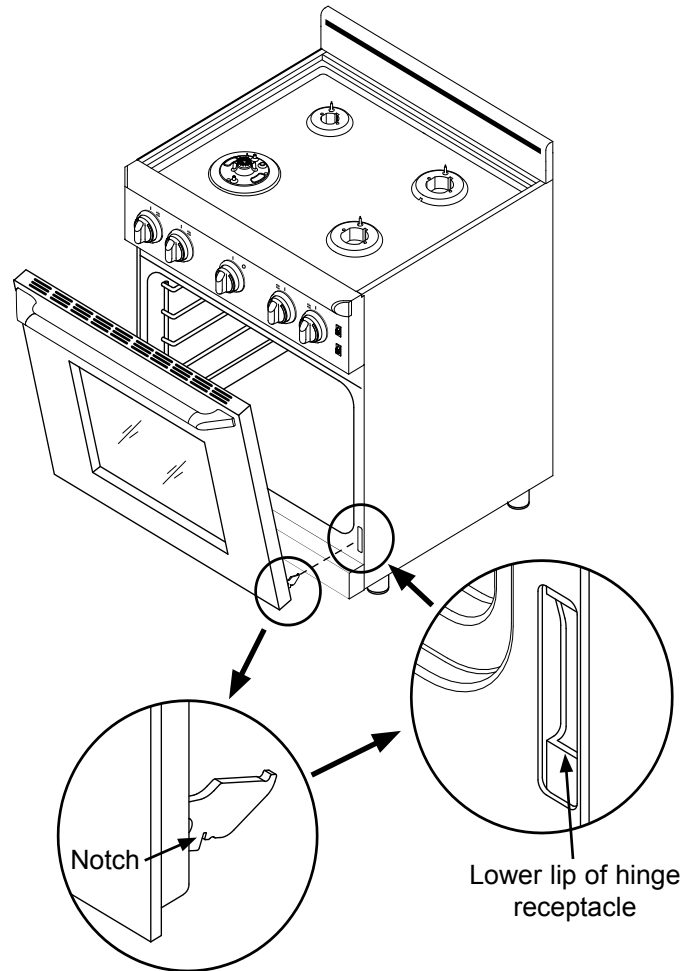
1. Peel the protective plastic coating off of the range, including the range door.
2. Uncoil the power cord and route it to the electrical outlet so that it does not become trapped behind the range when it is pushed back. Do not connect the power plug until you are ready to verify proper operation.
3. Carefully slide the range into position taking the slack out of the power cord as you push the unit into place. Be careful not to kink the power cord or gas line as you push the unit back. The anti-tip foot should engage the anti-tip bracket as you slide it back.

Re-Installing the Door

⚠ WARNING

To avoid personal injury or damage to the door from it falling off its hinges:

- Make sure that the notch on the bottom of each hinge rests on top of the lower lip of each hinge receptacle before attempting to open the oven door.
 - Rotate the hinge locks toward the front of the range immediately after installation of the door.
1. Grasp the oven door on opposite sides and hold it at a 15° angle from the front of the oven. Slide the hinges into the hinge openings, resting the bottom of the hinge arms on the hinge receptacles.
 2. Continue to hold the door at a 15° angle with one hand while pushing in on each of the bottom corners of the door. Push until the notch on the bottom of each hinge slips over the lower lip of each hinge receptacle.
 3. Lower the door to the fully opened position.
 4. Rotate the two hinge catches toward the oven. Slowly and carefully open and close the door completely to ensure that it is properly installed.
 5. Remove any packaging from inside the oven.



Door Installation

Installation Instructions

Cooktop Assembly

WARNING

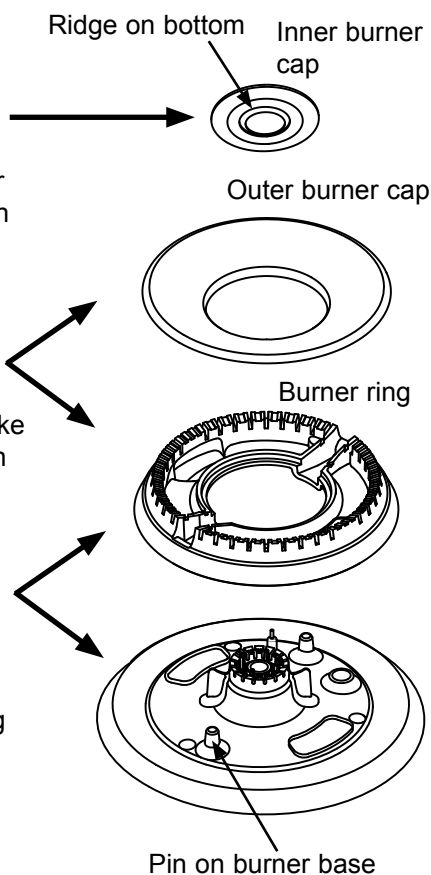
Never attempt to operate the range's cooktop with any of the burner rings, burner caps or grates removed.

1. Remove the burner rings, burner caps and grates from their shipping cartons.
2. Install the burners as shown. Gently twist each piece back and forth after installation to make sure it is properly seated. A small gap below the bottom of the burner ring is normal.
3. Gently set the grates on top of the spill tray. Put the legs of each grate inside the corresponding dimples.
4. Place each grate onto the top frame, being certain that the rubber feet are positioned in the locating dimples.

STEP 3: Set inner dual burner cap on center of dual burner ring. Line up ridge on bottom of cap with pins on center of burner base.

STEP 2: Set outer dual burner cap on dual burner ring. Make sure it is centered on top of burner ring.

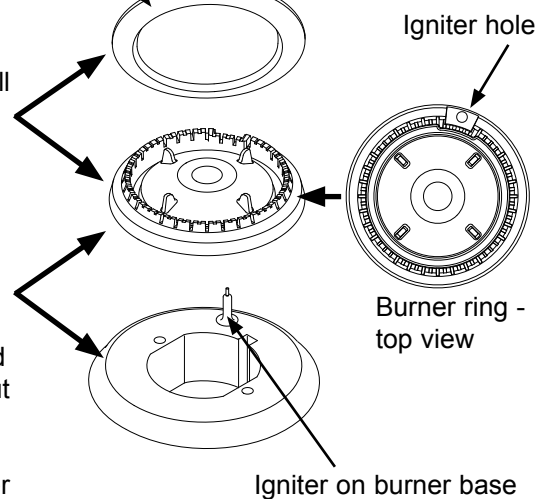
STEP 1: Install dual burner ring on dual burner base. Line up indentations on bottom of burner ring with pins on top of burner base.



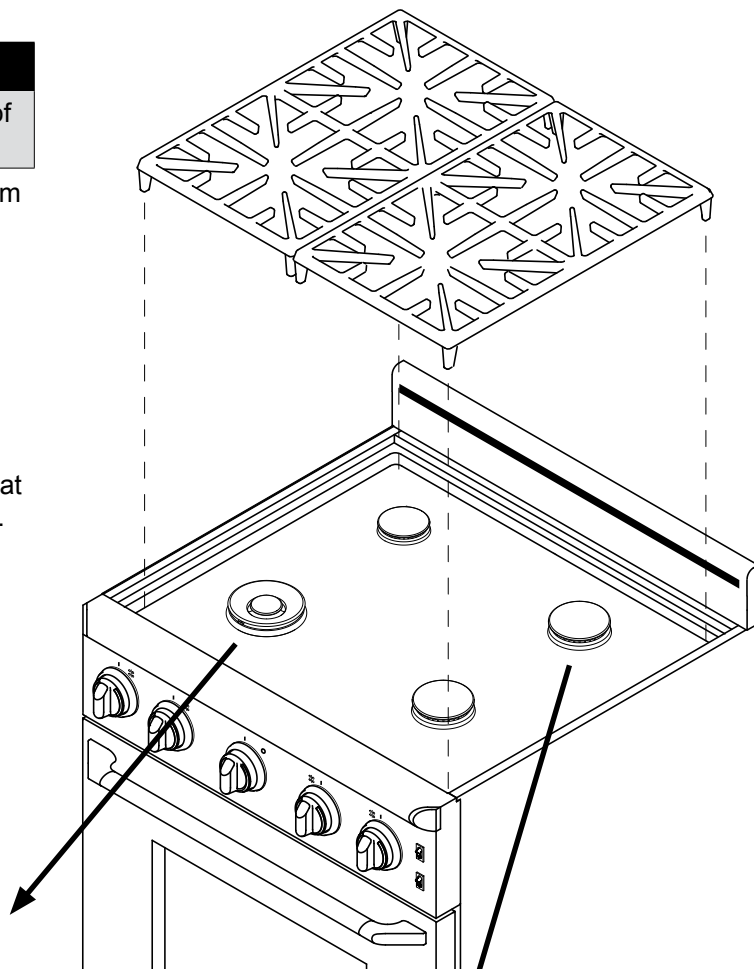
**Dual Burner Assembly
(left front burner only)**

STEP 2: Install all standard burner caps. Ridge on bottom of caps must surround top of ring.

STEP 1: Install standard burner rings on standard burner bases. Put holes on edge of each ring over the igniter. Center tabs on bottom of each ring in hole in center of each base.



**Standard Burner Assembly
(right front, right rear, left rear)**





Installation Instructions

Verifying Proper Operation

WARNING

Before operating the range, read the accompanying use and care manual completely.

1. Before beginning the test procedure, make sure all range control valves are in the “OFF” position, and all burner rings, burner cap and grates are properly positioned on the spill tray.  OFF
2. Turn on the gas supply at the shut-off valve.
3. Connect the power cord to the electrical outlet. When the range is first connected, the oven indicator light flashes on and off for about 10 seconds while the range’s circuitry starts up. Wait for the light to stop flashing before going to step 4.
4. Test the left front burner on the cooktop by pushing in and turning the control knob counterclockwise to the **HIGH** position. The knob should light when in the “ON” position. The igniter for the left front burner will spark continuously. It may take up to 4 seconds for the burner to ignite, at which time the igniter will stop sparking. If ignition does not occur within 4 seconds, turn off the knob, wait for at least 5 minutes to allow any gas to dissipate, then repeat this ignition test. When the burner ignites, rotate the knob counterclockwise from **HIGH** to **LOW** to adjust the flame height progressively. When installed properly, the flame will be steady. It will also have a sharp, blue inner cone that will vary in length proportional to the burner size. LP gas units may have small yellow tips at the end of the flames, which is normal. 
5. Repeat the ignition test for the remaining cooktop burners. Make sure the knobs light when in the “ON” position.
6. After testing all the cooktop burners, turn them all off.
7. Open the oven door. Test the oven light by turning on the light switch on the right side of the control panel.
8. Turn on the convection fan switch. You should hear the convection fan, located behind the screen at the back of the oven, come on.
9. With the oven door open, turn the oven control knob to the 400 degree position. Both the knob itself and the oven ON indicator light next to the knob should illuminate. Within 60 seconds you should hear the bake burner ignite below the oven floor. It should begin to give off heat.
10. Turn the oven control knob to the **BROIL** position. The bake burner should turn off. Both the oven control knob and the oven ON indicator light should be illuminated. Within 60 seconds the IR burner on the ceiling of the oven should ignite and begin to give off heat.
11. Turn the oven knob to the “OFF” position.

If the range does not operate properly, follow these troubleshooting steps:

1. Verify that the circuit breaker for the range electrical outlet is on and not tripped. Make sure the power cord is connected.
2. Make sure the gas supply valve is in the on position and that the main gas valve to the building is open.
3. Check to see if the oven burner light flashes on and off once a second. If it does, repair by an authorized service technician is required.
4. Repeat the above tests.
5. If the appliance still does not work, contact Dacor Distinctive Service at (877) 337-3226. Do not attempt to repair the appliance yourself. Dacor is not responsible for the cost of correcting problems caused by a faulty installation.

Installation Checklist

WARNING

To ensure a safe and proper installation, the installer must perform the following checklist to ensure that no part of the installation has been overlooked. Proper installation is the responsibility of the homeowner.

- Has the plastic coating been peeled off of the outside of the range? Have all packaging materials been removed from inside the oven?
- Are all leveling legs extended down to make contact with the floor? Is the unit level? See page 8.
- Is the range secured in place with the provided anti-tip bracket and foot according to these instructions? See page 9.
- Is the range connected to a grounded three prong electrical outlet that has been installed by a licensed electrician according to these instructions and in accordance with all applicable electrical codes? See pages 4 and 5.
- Is the backguard installed?
- Has the gas supply inlet pressure been measured to ensure that it does not exceed the maximums stated in these instructions? See page 4.
- Is the range connected to the gas supply according to these instructions and in accordance with all applicable codes? See pages 4 and 10.
- Did the installer check the gas supply for leaks?
- Is the oven door properly installed according to these instructions? See page 11.
- Are the burners and grates properly installed according to these instructions? See page 12.
- Has proper operation been verified?
- Has the warranty been activated on-line or the warranty card been filled out completely and mailed?

Notes

Notes

dacor[®]
The Life of the Kitchen.[®]

