

ER30G, ER30GI



30" Wide, Epicure® All Gas Range

PLANNING GUIDE

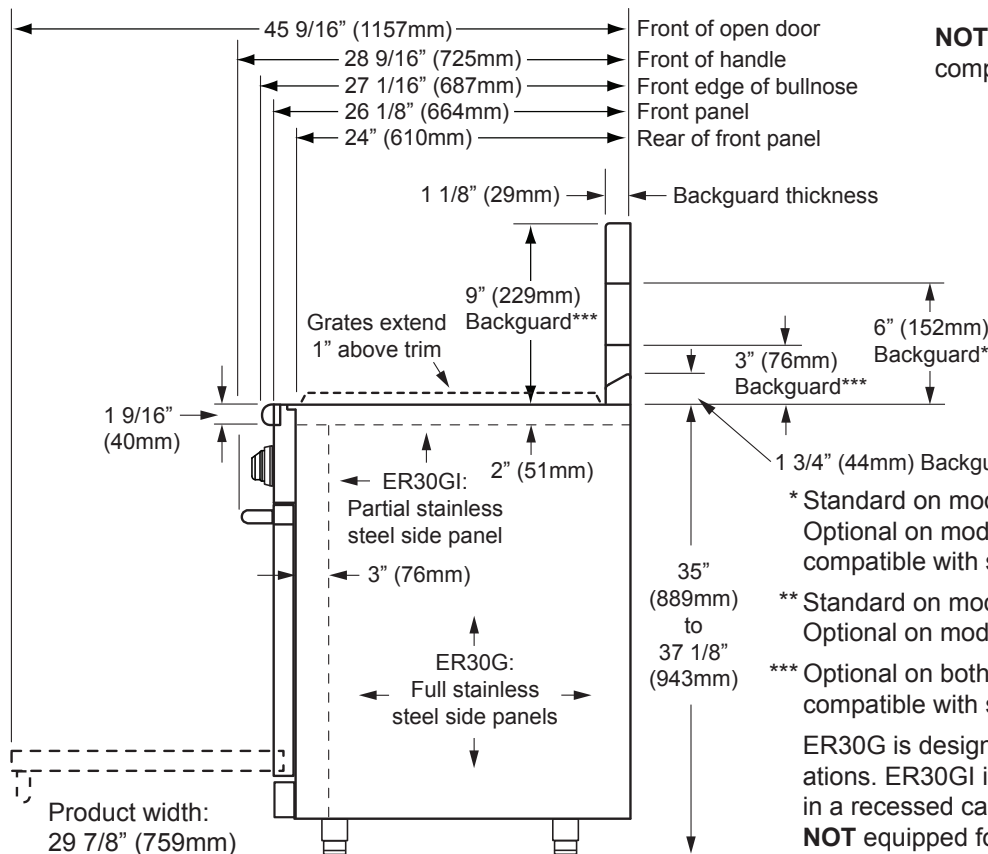
Electrical Circuit Required	Total Connected Load
120 Vac, 60 Hz, 15 Amps., dedicated, grounded	4.0 Amps. @ 120 Vac, 60 Hz

ELECTRICAL REQUIREMENTS

⚠ WARNING

- ◇ Observe all governing codes and ordinances during planning and installation. Contact your local building department for further information.
- ◇ This appliance must be installed in accordance with the accompanying installation instructions.

All tolerances ±1/16" (±1.6mm) unless otherwise noted.



NOTE: Neither model is compatible with a raised vent.

* Standard on model ER30G
Optional on model ER30GI, **NOT**
compatible with self-rimming installations

** Standard on model ER30GI
Optional on model ER30G

*** Optional on both models, **NOT**
compatible with self-rimming installations

ER30G is designed for freestanding installations. ER30GI is designed for installation in a recessed cabinet or island. ER30G is **NOT** equipped for self-rimming installation.

**ER30G/ER30GI
OVERALL DEPTH DIMENSIONS
SIDE VIEW**



30" Wide, Epicure® All Gas Range

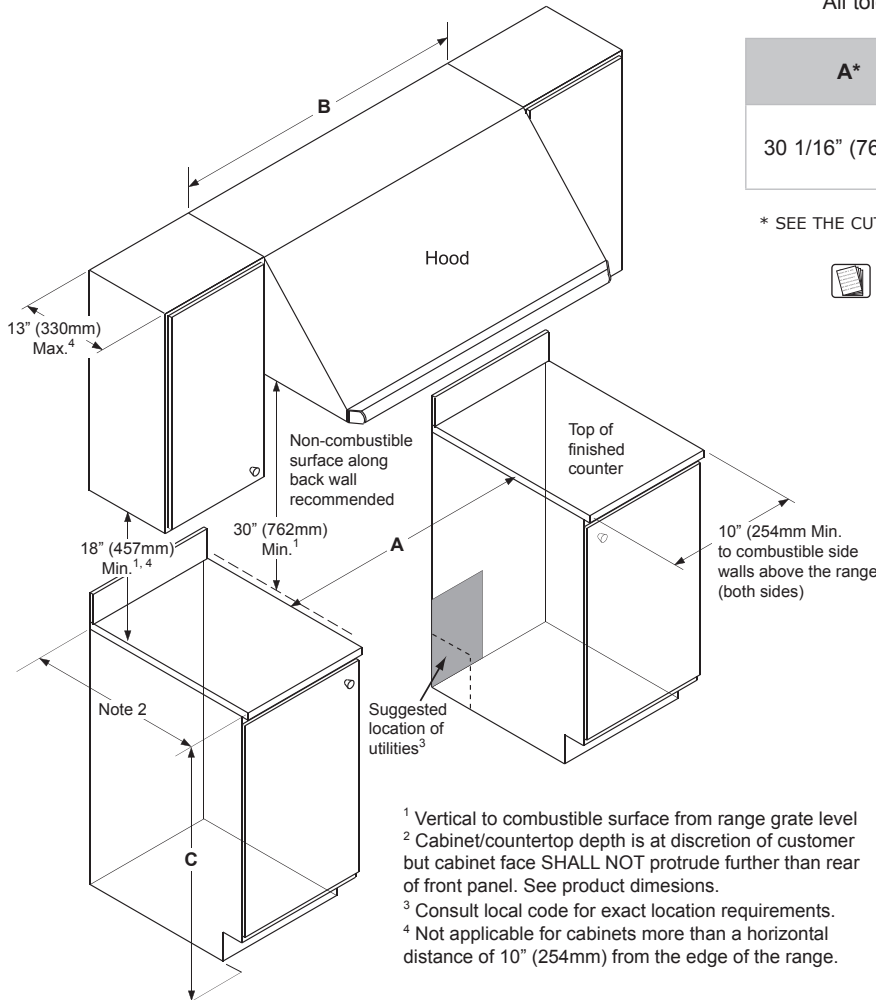
PLANNING GUIDE

All tolerances +1/16" -0 (+1.6mm, 0) unless otherwise noted.

A*	B	C
30 1/16" (764mm)	30" (762mm) Minimum 36" (914mm) Recommended	37 1/8" (943mm) Maximum

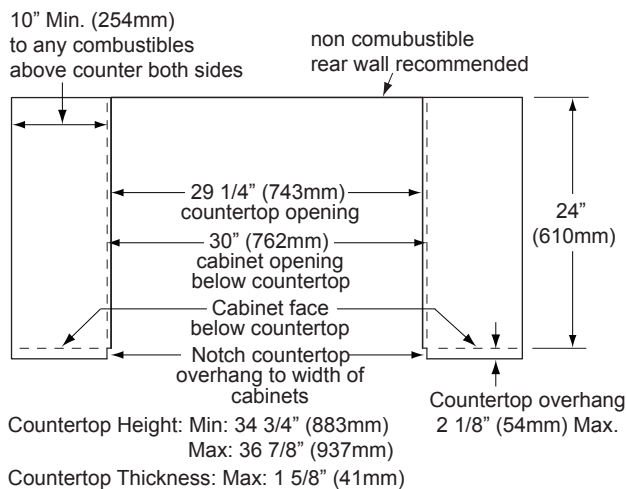
* SEE THE CUTOUT DIMENSIONS BELOW FOR SELF-RIMMING INSTALLATIONS

NOTE: Self-rimming kit is included with model ER30GI. The self-rimming kit allows the trim to overlap the counter top on the sides and back.

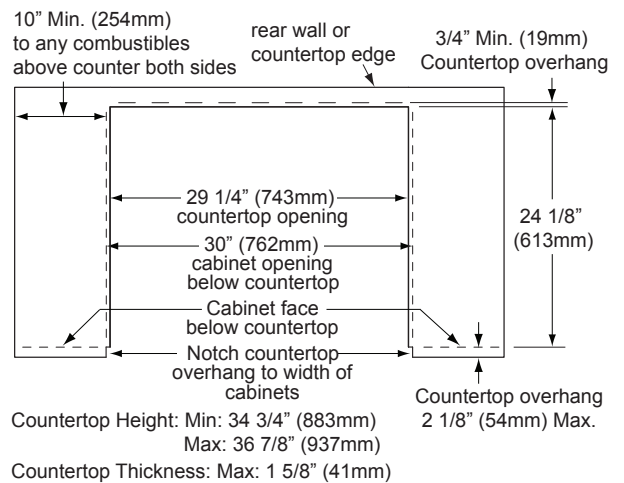


- ¹ Vertical to combustible surface from range grate level
- ² Cabinet/countertop depth is at discretion of customer but cabinet face SHALL NOT protrude further than rear of front panel. See product dimensions.
- ³ Consult local code for exact location requirements.
- ⁴ Not applicable for cabinets more than a horizontal distance of 10" (254mm) from the edge of the range.

SLIDE-IN CUTOUT DIMENSIONS



SELF-RIMMING CUTOUT DIMENSIONS - CABINET DEPTH EXACTLY 24 INCHES (ER30GI ONLY)

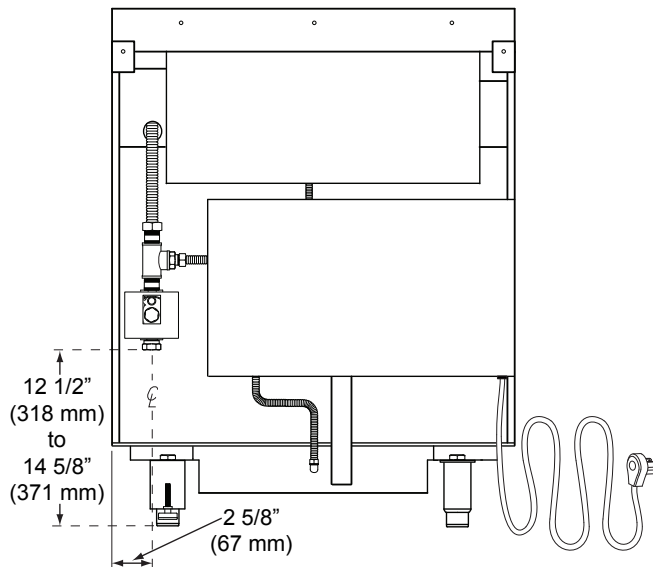


SELF-RIMMING CUTOUT DIMENSIONS - CABINET DEPTH GREATER THAN 24 INCHES (ER30GI ONLY)

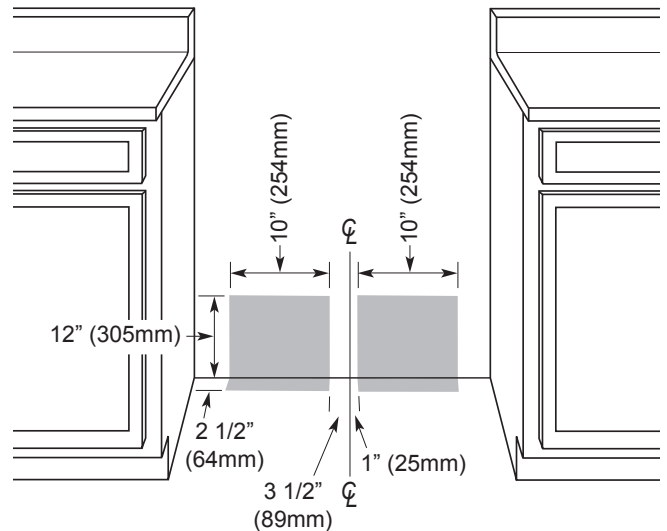


30" Wide, Epicure® All Gas Range

PLANNING GUIDE



BACK OF RANGE



UTILITY CLEARANCE BEHIND RANGE

GAS SUPPLY PRESSURE REQUIREMENTS			
Gas Type	Manifold Pressure* (WC)	Min. Gas Supply Pressure (WC)	Max. Input Pressure
Natural	5"	6"	1/2 p.s.i.
LP	10"	11"	1/2 p.s.i.

IMPORTANT: The information above is for reference only. If the above data does not agree with the product data label, use the data on the product data label on top of the kick plate below the door (remove the door according to the installation instructions to view it).

The gas connection is located on the back of the unit as shown. Use a 1/2" male NPT to connect to the regulator.