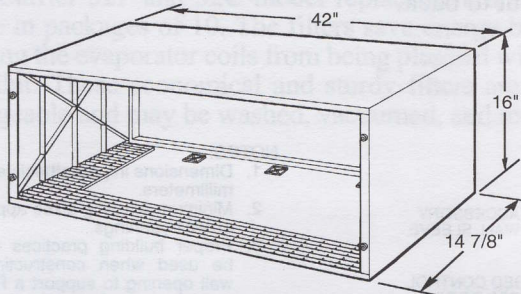
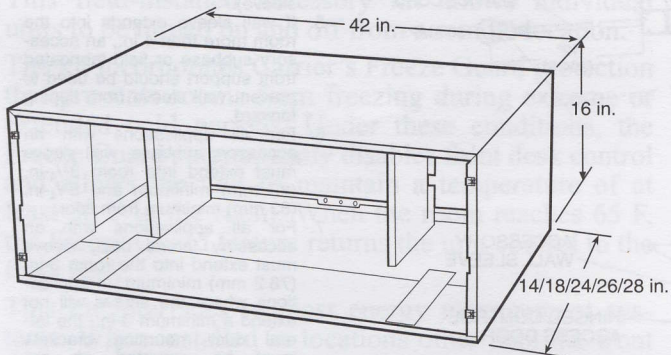


# DIMENSION DRAWINGS AND INSTALLATION DATA — NEW CONSTRUCTION (cont)

## WALL SLEEVE MOUNTING DIMENSIONS FOR STANDARD AND ACCESSORY GRILLES



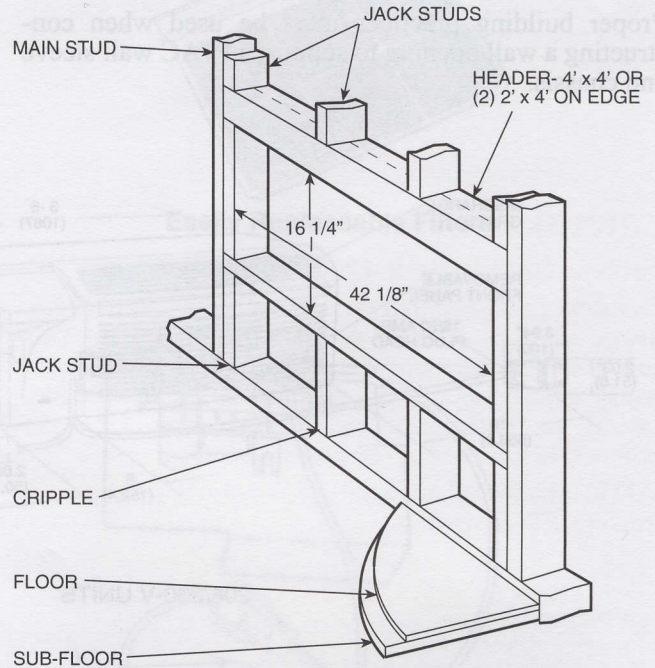
**Standard Polymer Non-Insulated Wall Sleeve  
Standard Polymer Insulated Wall Sleeve**



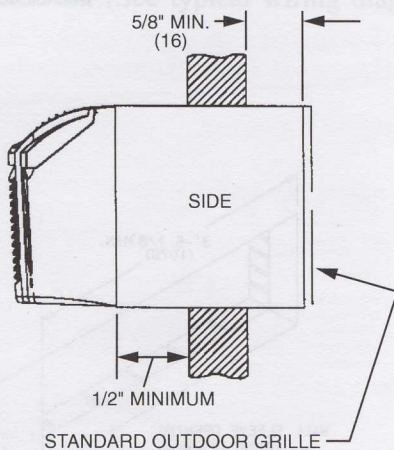
**Standard and Extended Metal Insulated Wall Sleeve**

**NOTES (ALL SLEEVES):**

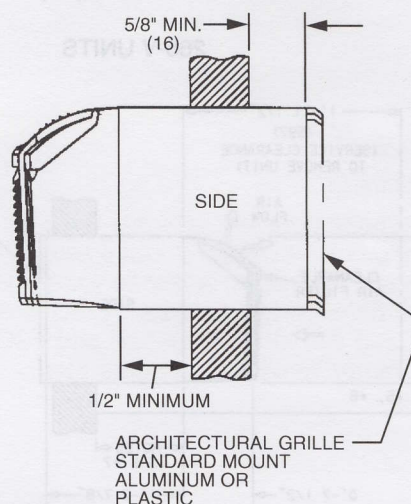
1. Never install fasteners through bottom of sleeve.
2. Never use rails to level sleeve.



**Framing and Minimum Wall Sleeve Opening**



**STANDARD OUTDOOR GRILLE**

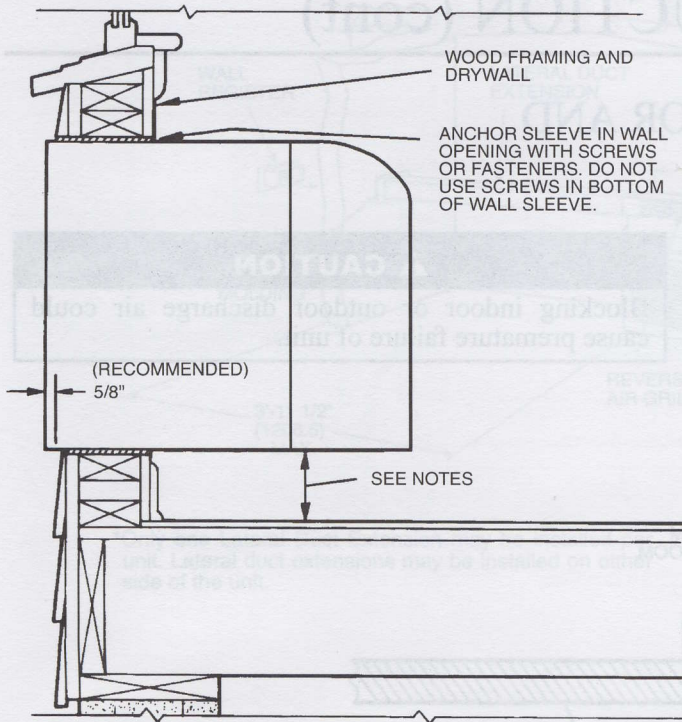


**ARCHITECTURAL GRILLE  
STANDARD MOUNT  
ALUMINUM OR  
PLASTIC**

**Wall Sleeve Mounting (All Models)**



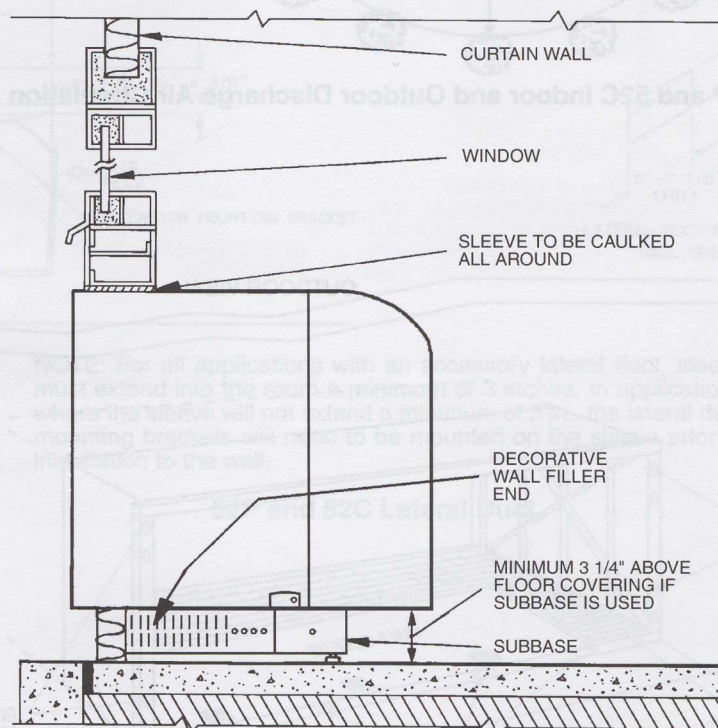
# TYPICAL WALL INSTALLATION



## NOTES:

1. Sleeve may be flush mounted to floor, but front panel may have to be notched to accommodate service cord.
2. If more than 4 in. of sleeve projects into room, an accessory subbase must be used for support.
3. For walls 2 in. thick or less, an accessory subbase must be used for support.
4. Caulk around sleeve on both indoor and outdoor sides.

## Typical Wall Sleeve Installation



## Typical Curtain Wall Installation (All Models)