



Installation Instructions

Distinctive Series Range

For use with models DR30D and DR30D-C

**THIS APPLIANCE HAS BEEN TESTED IN ACCORDANCE WITH THE LATEST EDITIONS OF
UL858/CSA C22.2 NO. 61/ANSI Z21.1 STANDARDS FOR HOUSEHOLD COOKING APPLIANCES.**

All specifications subject to change without notice.
Dacor® assumes no liability for changes to specifications.

© 2010 Dacor, all rights reserved.

Table of Contents

Important Safety Instructions	1-3	Installation Instructions	7-16
Customer Service Information	3	Preparing for Installation	7
Planning the Installation	4-6	Electrical Connection	8-13
Electrical Requirements	4	Gas Supply Connection	13
Gas Supply Requirements	4	Final Installation	14
Product Dimensions	5	Installing the Burner Knobs	14
Cabinet Layout	6	Cooktop Assembly	15
		Verifying Proper Operation	16
		Installation Checklist	16

IMPORTANT:

- **Installer:** In the interest of safety and to minimize problems, read these installation instructions completely and carefully before you begin the installation process. Leave these installation instructions with the customer.
- **Customer:** Keep these installation instructions for future reference and the local building inspector's use.

Important Safety Instructions

About Safety Instructions

The **Important Safety Instructions** and warnings in this manual are not meant to cover all possible problems and conditions that can occur. Use common sense and caution when installing, maintaining or operating this or any other appliance.

Always contact the Dacor Customer Service Team about problems and conditions that you do not understand.

Safety Symbols in this Manual

DANGER

Immediate hazards that **WILL** result in severe personal injury or death.

WARNING

Hazards or unsafe practices that **COULD** result in severe personal injury or death.

CAUTION

Hazards or unsafe practices that **COULD** result in minor personal injury or property damage.

DANGER

IMPORTANT: If you smell gas:

- Do not use or light any appliance.
- Do not touch any electrical switch or use any electrical devices, including the telephone, in your building.
- From a neighbor's phone, immediately call the gas supplier. Follow the gas supplier's instructions.
- If you cannot contact the gas supplier, call the fire department.

IMPORTANT: Do not store or use combustible, flammable or explosive vapors and liquids (such as gasoline) inside or in the vicinity of this or any other appliance. Also keep items that could explode, such as aerosol cans, away from the burners and the oven. Do not store flammable or explosive materials in adjacent cabinets or areas.

WARNING

WARNING – NEVER use this appliance as a space heater to heat or warm the room. Doing so may result in carbon monoxide poisoning and overheating of the appliance.

WARNING

WARNING – NEVER cover any slots, holes or passages on the inside or outside of the range or cover an entire rack with materials such as aluminum foil. Doing so blocks air flow through the oven and may cause carbon monoxide poisoning. Aluminum foil linings may also trap heat, causing a fire hazard.

CALIFORNIA PROPOSITION 65 WARNING

The burning of gas cooking fuel generates some by-products that are on the list of substances which are known by the State of California to cause cancer or reproductive harm. California law requires businesses to warn customers of potential exposure to such substances. To minimize exposure to these substances, always operate this unit according to the use and care manual, ensuring you provide good ventilation when cooking with gas.

**READ AND SAVE THESE
INSTRUCTIONS**

Important Safety Instructions

General Safety Precautions

To reduce the risk of fire, explosion, electric shock, serious injury or death when installing or using this appliance, follow basic safety precautions, including the following:

WARNING

- Read the accompanying use and care manual completely before operating this appliance.
- Keep packaging materials away from children. Plastic sheets and bags can cause suffocation.
- If you receive a damaged product, immediately contact your dealer or builder. Do not install or use a damaged appliance.
- This range must be properly installed by a qualified installer according to these installation instructions prior to use. The installer must show the customer the location of the gas shut off valve and the circuit breaker panel or fuse box so that they know where and how to turn off the gas supply and electric power to the range.
- Do not install, repair or replace any part of the range unless specifically recommended in the literature accompanying it. A qualified service technician should perform all other service.
- Do not connect this range to the gas supply without the supplied gas pressure regulator installed.
- Before performing any type of service or installation, make sure that the gas supply and electric power to the range are off.
- NEVER block or cover any slots, holes or passages anywhere inside the oven or on the outside of the range or cover an oven rack with materials such as aluminum foil. Doing so blocks airflow through the oven and cooktop and may cause carbon monoxide poisoning or fire. See the **Getting to Know Your Range** section of the use and care manual for the location of the various air holes (slots).
- Only use this range for cooking tasks expected of a home appliance as outlined in the literature accompanying it. This range is not intended for commercial use.
- DO NOT TOUCH THE SURFACES OF THE OVEN OR COOKTOP DURING OR IMMEDIATELY AFTER USE.
- Do not climb on any part of the appliance.
- Never leave this appliance unattended when in use.
- Do not leave children or pets alone or unattended in the area around the range. Do not allow children to play with the controls, pull on the handle, or touch other parts of the range.
- Do not store items of interest to children on top of or above the range. Children could be burned or injured while climbing on the appliance.
- Do not attempt to use this appliance in the event of a power failure.
- Do not tamper with the controls. Do not adjust or alter any part of the range unless specifically instructed to do so in these instructions.
- To prevent the unit from tipping forward and to provide a stable installation, this range must be secured in place with the anti-tip device as specified in these instructions.
- Clean the cooktop thoroughly before operating it for the first time.
- Keep flammable items, such as paper, cardboard, plastic and cloth away from the burners and other hot surfaces. Do not place such items in the oven. Do not allow pot holders to touch hot surfaces or gas burners.
- Do not wear loose or hanging apparel while using the range. Do not allow clothing to come into contact with the interior of the oven or the cooktop and surrounding areas during and immediately after use.
- To avoid a fire hazard, do not hang flammable or heat sensitive objects over the range.
- If the range is near a window, do not use long curtains as window treatment. The curtains could blow over the cooktop and create a fire hazard.
- Do not use the oven for storage.
- Do not touch the burner assembly, grates or surrounding surfaces (including the backguard) or the interior surfaces of the oven during use. After use, make sure these surfaces have had sufficient time to cool before touching them.
- Make sure that all the cooktop parts are dry before lighting a burner.
- Turn the knobs to the **OFF** position prior to removing them from the valve stems.
- Do not operate the cooktop without the knobs and trim rings in place.
- For your safety, do not use the oven to cook without the convection filter installed. When the filter is not installed, the spinning fan blades at the back of the oven are exposed.
- Non-stick coatings, when heated, can be harmful to birds. Remove birds to a separate, well-ventilated room during cooking.

Important Safety Instructions

CAUTION

- To prevent damage, remove the meat probe from the oven when it is not being used.
- Do not line the oven with aluminum foil or other materials. These items can melt or burn up during self-cleaning and cause permanent damage to the oven.
- Do not leave objects, such as aluminum foil, the meat probe, cookie sheets, etc. on the bottom of the oven. Damage to the oven or the objects themselves may result.
- Do not cover the broil element on the ceiling of the oven with cookie sheets, aluminum foil, pots, pans, etc. Covering them could cause the heating elements to over-heat, damaging the oven.
- Do not expose the knobs or trim rings to direct flame, hot utensils or other sources of heat.
- Always ensure that the light fixture lens cover is in place when using the oven. The lens cover protects the light bulb from breakage caused by high oven temperatures or mechanical shock.

Customer Service Information

If you have questions or problems with installation, contact your Dacor dealer or the Dacor Customer Service Team. For repairs to Dacor appliances under warranty call the Dacor Distinctive Service line. Whenever you call, have the model and serial number of the appliance ready. The product model number and serial number label can be seen through the grill below the control panel, on the right side.

Dacor Customer Service

Phone: (800) 793-0093 (U.S.A. and Canada)
Monday — Friday 6:00 A.M. to 5:00 P.M. Pacific Time

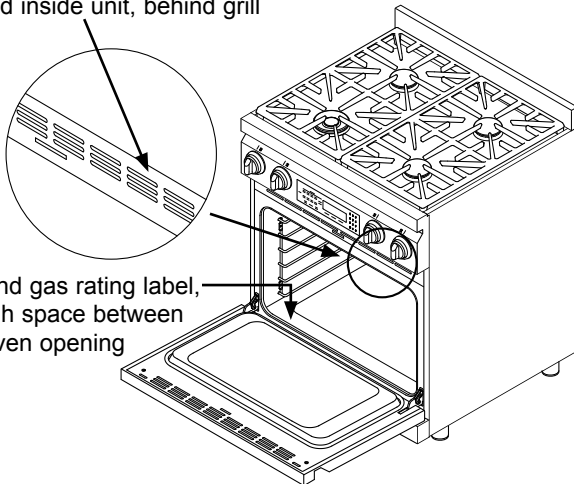
Web site: www.Dacor.com

Dacor Distinctive Service (for repairs under warranty only)

Phone: (877) 337-3226 (U.S.A. and Canada)
Monday — Friday 6:00 A.M. to 4:00 P.M. Pacific Time

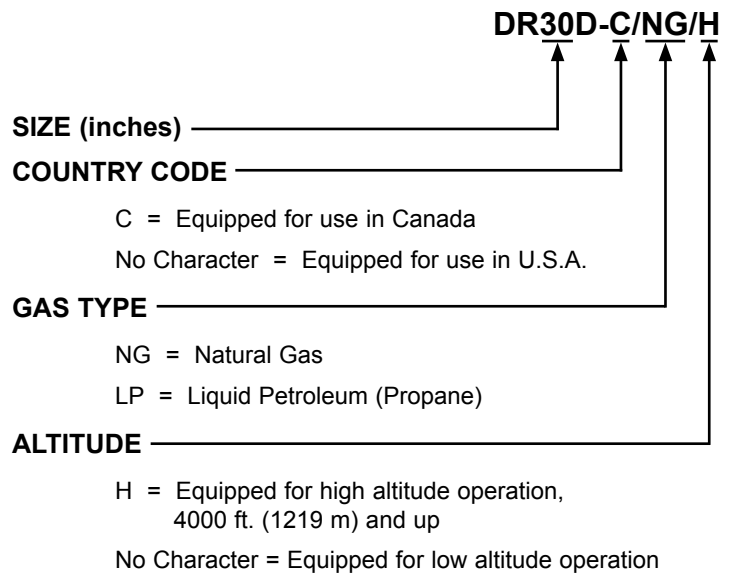
Model/serial number label
located inside unit, behind grill

Electrical and gas rating label,
view through space between
door and oven opening



**Product Model/Serial Label
and Rating Label Locations**

Model Identification



Planning the Installation

WARNING

IMPORTANT: Observe all governing codes and ordinances during planning and installation. Contact your local building department for further information.

Electrical Requirements

IMPORTANT: The information below does not apply to units installed in Canada. For units installed in Canada, see **Electrical Requirements - Canada**.

It is the owner's responsibility to ensure that the electrical connection of this appliance is performed by a licensed electrician. The electrical installation, including minimum supply wire size and grounding, must be in accordance with the National Electric Code ANSI/NFPA 70-1993* (or latest revision) and local codes and ordinances. A copy of this standard may be obtained from:

National Fire Protection Association
1 Batterymarch Park
Quincy, Massachusetts 02269-9101

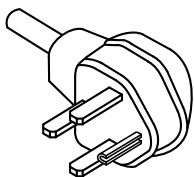
- The correct voltage, frequency and amperage must be supplied to the appliance from a separate, grounded, circuit that is protected by a properly sized circuit breaker or time delay fuse. Refer to the ratings on the product data label (see page 3 for location).

Electrical Specifications	
Circuit Required	Total Connected Load
240 Vac, 60 Hz., 30 Amp.*	5.7 kW (23.8 Amp.)

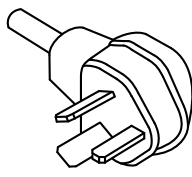
* Two 120 Vac hot (L1 and L2), one neutral (N1) and one ground.

The ratings above are for reference only - refer to the product data label for exact specifications.

- Consult local building codes for the type and minimum wire gauge to use for the power requirements listed on the rating label.
- The conduit or appliance cord needs to be long enough to allow the range to be pulled out from the wall for service, while remaining connected. See page 8 for further details.
- The wiring to the range must:
 - Include a strain relief.
 - Be terminated by tinned leads, closed loop terminals or open ended spade lugs with upturned ends.
- Where local code permits, a 3 or 4 wire appliance cord may be used. The appliance cord must:
 - Be UL listed type SRD or SRDT.
 - Be equipped with a NEMA 14-50P 4-wire plug or, where local code permits, a NEMA 10-50P 3-wire plug.



NEMA 14-50P Plug



NEMA 10-50P Plug

- Prior to range installation, have a licensed electrician install a conduit junction box or electrical receptacle according to the type of wiring used.

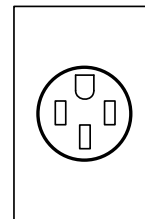
Electrical Requirements - Canada

- It is the owner's responsibility to ensure that the required 4-wire electrical outlet is installed by a licensed electrician as specified below prior to range installation. The electrical outlet installation, including minimum supply wire size and grounding, must be in accordance with all governing codes and ordinances.
- The correct voltage, frequency and amperage must be supplied to the appliance from a separate, grounded, circuit that is protected by a properly sized circuit breaker or time delay fuse. Refer to the ratings on the product data label (see page 3 for location).

Electrical Specifications	
Circuit Required	Total Connected Load
240 Vac, 60 Hz., 30 Amp. 4-wire	5.7 kW (23.8 Amp.)

* The ratings above are for reference only - refer to the product data label for exact specifications.

- Ranges equipped for use in Canada come pre-wired with a 4-wire, 66 inch (168 cm) long, appliance cord and NEMA 14-50P plug.
- Do not modify the factory wiring. The plug is designed to plug directly into a NEMA 14-50R electrical receptacle installed by a licensed electrician according to the above specifications.



NEMA 14-50R Receptacle

Gas Supply Requirements

- Check your local building codes for the proper method of installation. In the absence of local codes, this appliance should be installed in accordance with the National Fuel Gas Code ANSI Z223.1.
- Be certain that the appliance being installed is correct for the gas service provided (natural gas or LP gas). Also, if operating the range at an altitude above 4000 ft. (1219 m) make sure it is equipped for high altitude operation. Refer to the product data label and the table on page 3 to determine the correct model.
- See the table below for gas supply pressure requirements.
- The regulator inlet accommodates a 3/4" gas line. The range ships with a 1/2" to 3/4" adapter connected to the regulator.

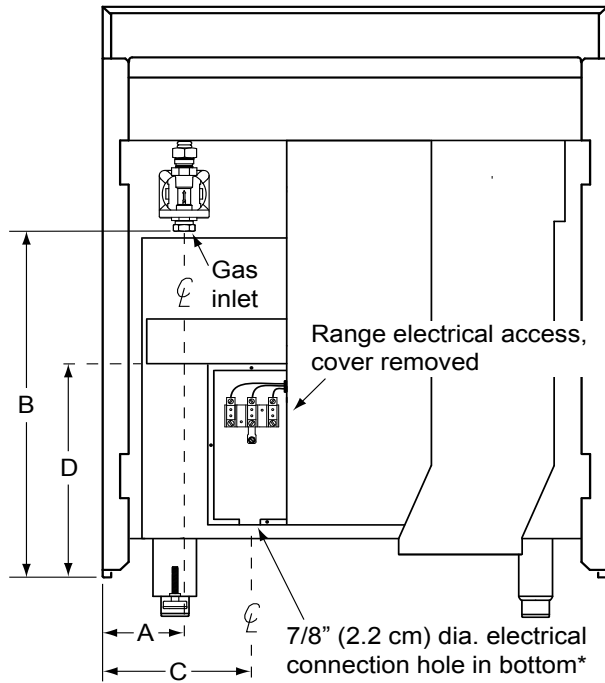
Gas Supply Specifications			
Gas Type	Manifold Pressure* (WC)	Min. Gas Supply Pressure (WC)	Max. Input Pressure
Natural	5	6	1/2 p.s.i.
LP	10	11	1/2 p.s.i.

The ratings above are for reference only - refer to the product data label (see page 3 for location).

Planning the Installation

Product Dimensions

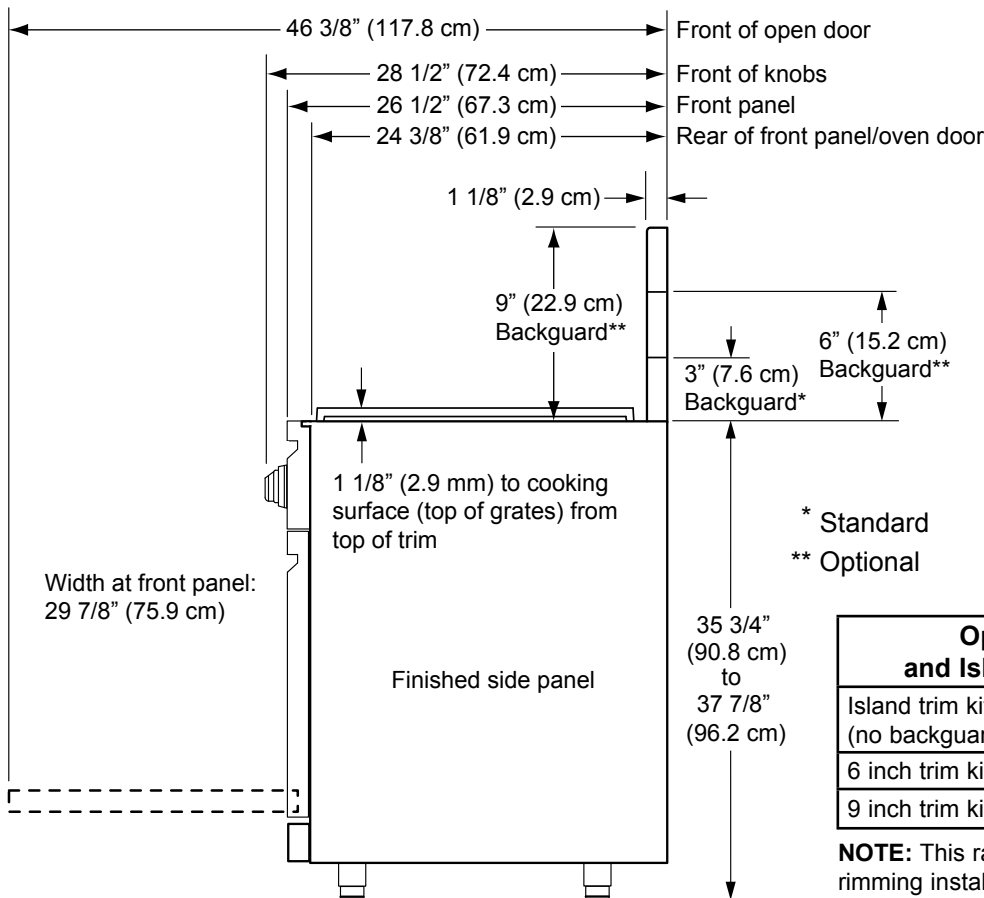
Product tolerances: $\pm 1/16"$ (± 1.6 mm), unless otherwise stated



Gas and Electrical Dimensions

Gas - Electrical Access Dimensions			
A	B	C	D
4 3/4" (12.1 cm)	22 1/8" (56.2 cm)	8 3/4" (22.2 cm)	13 3/4" (34.9 cm)

* When using an appliance cord that is not factory installed, the hole size must be increased to 1 1/8" (2.9 cm) by removing the conduit bracket inside the range electrical access box (see page 12).



* Standard
** Optional

Optional Backguard and Island Trim Part Number	
Island trim kit (no backguard)	ADTK30D
6 inch trim kit	ADB3006
9 inch trim kit	ADB3009

NOTE: This range is NOT designed for self-rimming installation or installation with a raised vent.

Planning the Installation

Cabinet Layout

- Carefully check the location where the range is to be installed. For best performance, the range should be placed away from drafts that may be caused by doors, windows and heating and air conditioning outlets.
- To reduce the risk of personal injury and to reduce accumulated smoke in the room, Dacor strongly recommends installing a range hood. A range hood should project horizontally a minimum of five (5) inches beyond the face of the cabinets.
- All maximum and minimum dimensions and clearances shown in the diagram below must be maintained for safe operation.
- The range may be installed flush to the rear wall. A non-combustible rear wall is not mandatory, but Dacor highly recommends installing a non-combustible material from the countertop level up to the vent hood or installing the optional 9 inch backguard.
- Any openings in the wall behind the appliance or in the floor underneath it must be sealed.

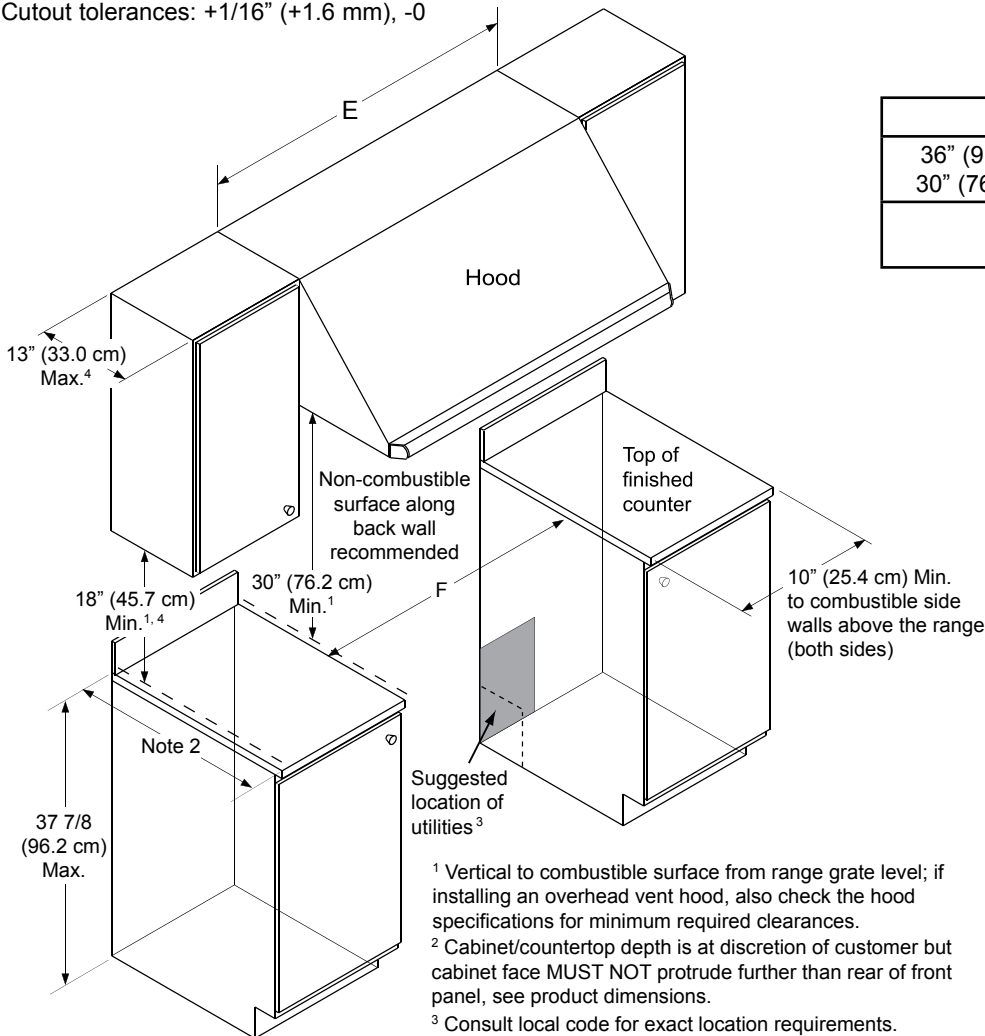
Gas and Electrical Service

- The shaded area shown below denotes the location of the gas inlet and the electrical junction box/receptacle. This is the recommended location. For replacement purposes, the location of the existing utilities may be utilized provided they do not interfere with the sides or rear of the range. Check local building codes for permissible utility connection locations.
- An external manual shut-off valve must be installed between the gas inlet and the range for the purpose of turning on or shutting off gas to the appliance.

The installation must allow for the following:

- Access to the gas shut-off valve when the unit is installed.
- Access to the remote circuit breaker panel or fuse box when the range is in place.
- The gas supply piping, gas shut-off valve and the electrical junction box or receptacle must be located so they do not interfere with the range when it is installed.
- The junction box and gas shut off valve must be located so that the range can be pulled out for service while the appliance remains connected.

Cutout tolerances: +1/16" (+1.6 mm), -0



E	F
36" (91.4 cm)*	30 1/16" (76.4 cm)
30" (76.2 cm)**	
* Recommended ** Minimum	

¹ Vertical to combustible surface from range grate level; if installing an overhead vent hood, also check the hood specifications for minimum required clearances.
² Cabinet/countertop depth is at discretion of customer but cabinet face MUST NOT protrude further than rear of front panel, see product dimensions.
³ Consult local code for exact location requirements.
⁴ Not applicable for cabinets more than a horizontal distance of 10" (25.4 cm) from the edge of the range.

Required Cabinet Dimensions

Installation Instructions

Preparing for Installation

WARNING

- If the gas or electric service provided does not meet the product specifications, do not proceed with the installation. Call the dealer, the gas supplier or a licensed electrician.
- Before installing the range, you must locate and secure the anti-tip bracket to the floor.
- Be sure that the unit is not connected to gas or power before proceeding with the following sections.

IMPORTANT: Within the Commonwealth of Massachusetts, this appliance must be installed by a licensed plumber or gas fitter.

Unpacking the Range

Unpack the range and verify that all required parts have been provided. If any item is missing or damaged, please contact your dealer immediately. Do not install a damaged or incomplete appliance. The customer must report cosmetic issues within 30 days of installation.

Parts List

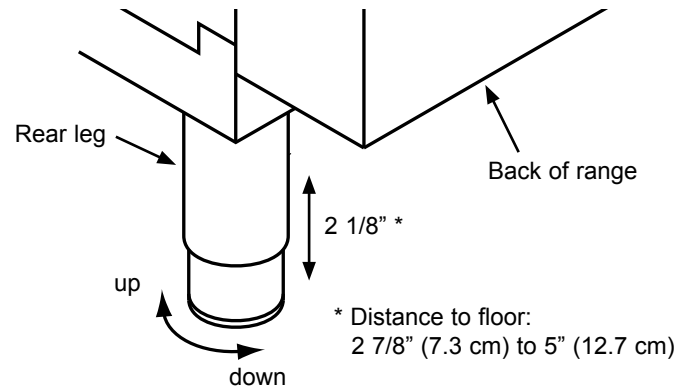
- 2 grates
- 1 small standard burner cap
- 1 small standard burner ring
- 2 large standard burner caps
- 2 large standard burner rings
- 1 inner SimmerSear™ burner cap
- 1 outer SimmerSear burner cap
- 1 SimmerSear burner ring
- 3 standard racks
- Anti-tip bracket w/screws
- Meat probe
- Dacor Stainless Steel Cleaner
- Literature kit

Optional Backguard/Island Trim Installation

When used, the optional island trim or optional 6 or 9 inch backguard must be installed before sliding the range into place. Install them according to the accompanying installation instructions.

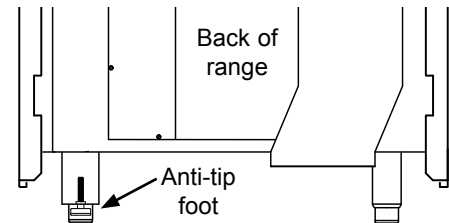
Level and Adjust the Range Height

Raise or lower the range to prepare for final installation. Adjust the legs until the top edge of the trim around the edge of the cooktop is slightly higher than the countertop.

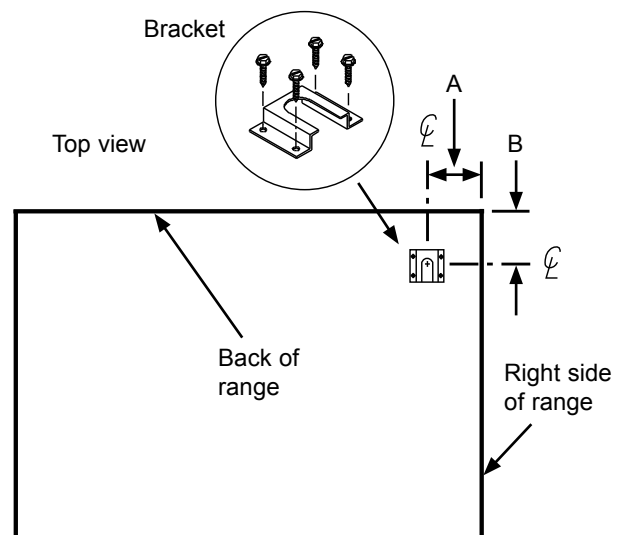


Install the Anti-Tip Bracket and Foot

1. Locate the anti-tip foot and lower it until it is 1/16" (2 mm) off the floor.



2. Locate the anti-tip bracket included in the parts box.
3. Install the anti-tip bracket on the floor using the four (4) included screws. See the diagram below for location.



ANTI-TIP BRACKET PLACEMENT	
A	4" (10.2 cm)
B	4 1/4" (10.8 cm)

Installation Instructions

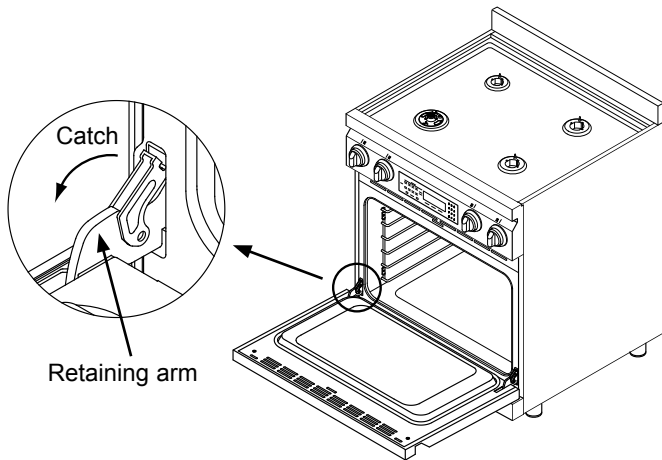
Removing the Oven Door

To make the range easier to move, remove the door to reduce weight.

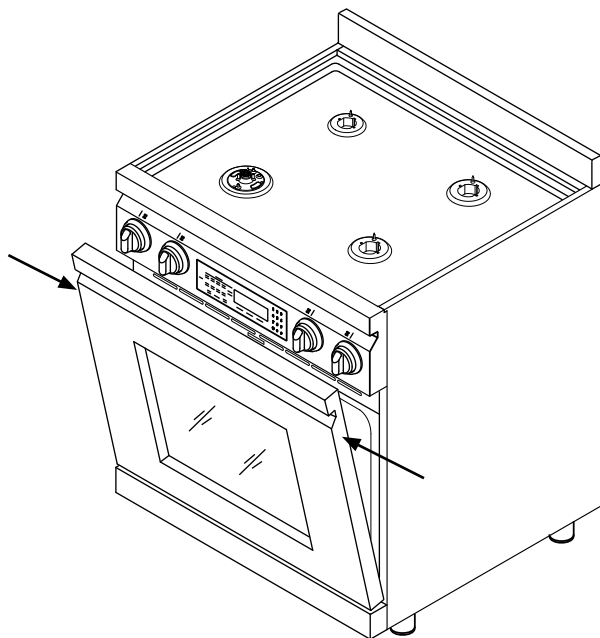
WARNING

- Do not attempt to disengage the hinge catches with the door removed from the oven. The hinge springs could release causing personal injury.
- Do not lift or carry the oven door by the handle.

1. Open the door to its fully opened position.
2. Using a screwdriver, rotate the catch over the retaining arm on each hinge.



3. Lift the oven door to about a 15° angle from the vertical position.
4. Hold the door with both hands just below the handle and pull it away from the oven while continuing to lift.



Door Gripping Points

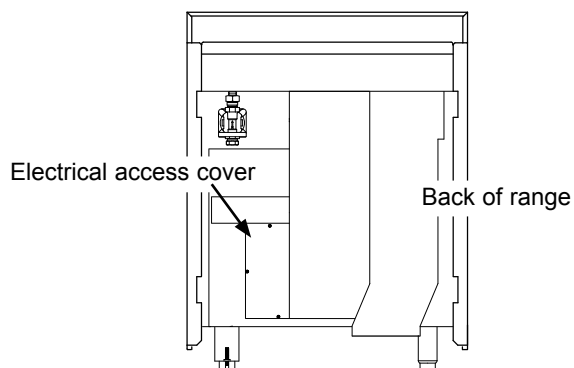
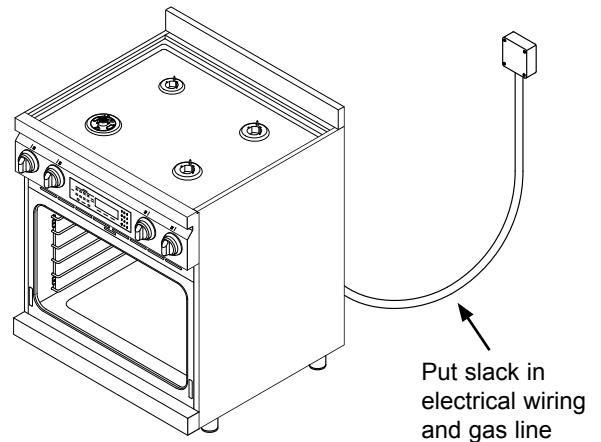
Electrical Connection

WARNING

- Wire the range only in compliance with local ordinances.
- Do not turn on power to the range until instructed to do so in the **Verifying Proper Operation** section of these instructions.
- Improper connection of the electrical wiring can cause an electric shock hazard and damage the appliance. Dacor is not responsible for damages resulting from improper installation.
- The ground terminal (or lead) on the appliance must be connected to a grounded, metallic, permanent wiring system or grounding conductor.
- Do not use an extension cord with this appliance. Such use may result in fire, electric shock or other personal injury.
- Do not install a fuse in the neutral or ground circuit. A fuse in the neutral or ground circuit may result in an electric shock hazard.

IMPORTANT:

- Some models come pre-wired at the factory with a 4-wire appliance cord for connection to a 14-50R electrical receptacle as specified on page 4. If the range being installed is pre-wired, skip to **Gas Connection** on page 13. This section does not apply to pre-wired units.
- Do not disconnect any of the wires inside the range electrical box unless instructed to do so.
- Make sure that the conduit or appliance cord is long enough to allow the range to be pulled out for service without disconnecting it from power.



Installation Instructions

Connecting the Wiring to the Range

Refer to the product data label (see page 3) for power requirements.

There are four possible ways to wire the range:

- 4-wire conduit
- 3-wire conduit, where local codes permit
- 4-wire appliance cord, where local codes permit (see page 12)
- 3-wire appliance cord, where local codes permit (see page 12)

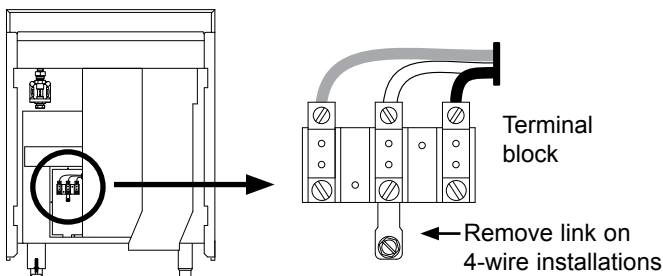
The sections below and on the following pages give directions for connecting each type of wiring harness.

WARNING

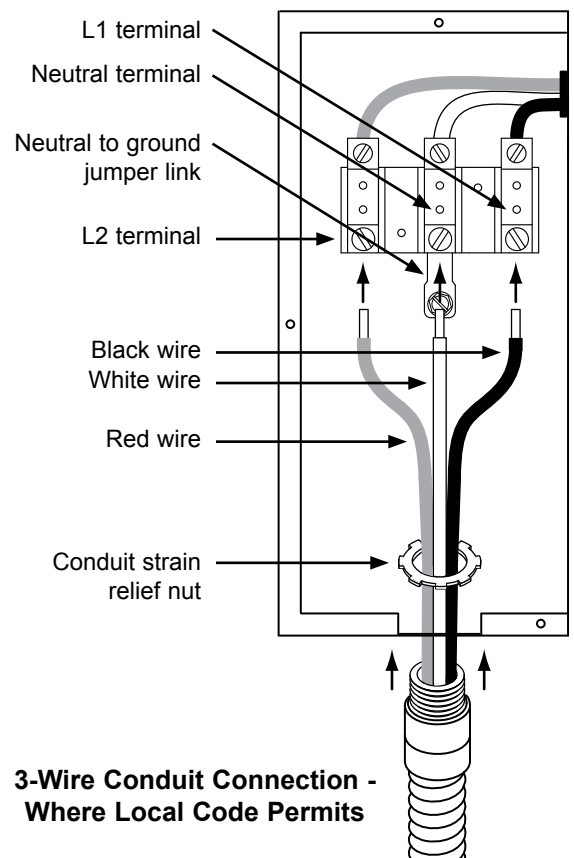
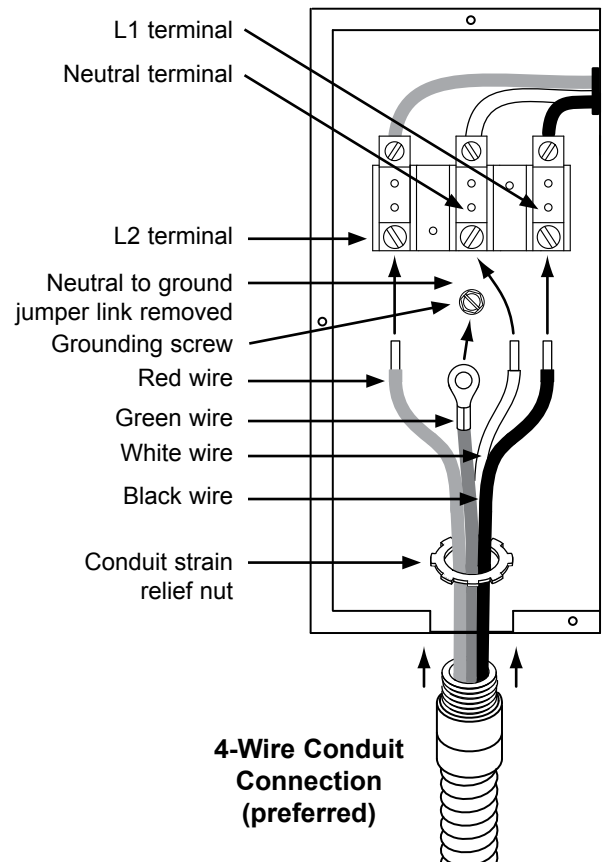
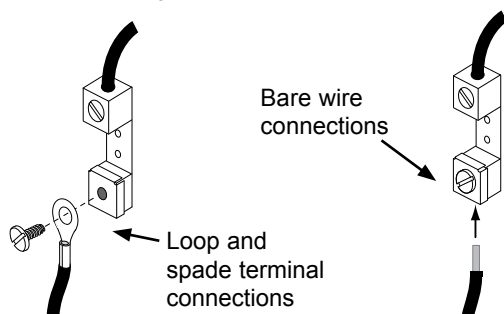
Do not connect the green appliance wire to the neutral (white) supply wire unless local building codes permit.

Connecting Conduit to the Range

1. Remove the range electrical access cover from the back of the range.
2. **IMPORTANT:** If using a 4-wire connection, loosen the grounding screw and remove the neutral to ground jumper link from the terminal block. Leave the link in place for 3-wire connections.



3. Remove the nut from the conduit strain relief (not included).
4. Slide the wires and the end of the strain relief into the hole on the bottom of the range electrical box.
5. Before connecting the wires, slide the strain relief nut over the wires and thread it onto the conduit strain relief inside the box. Tighten into place.
6. Connect the white wire to the neutral terminal in the box.
7. Connect the black wire to the L1 power supply terminal.
8. Connect the red wire to the L2 power supply terminal.
9. If using a 4-wire connection, connect the green wire to the grounding screw inside the box.
10. Replace the range electrical access cover.



Installation Instructions

Electrical Connection (Continued)

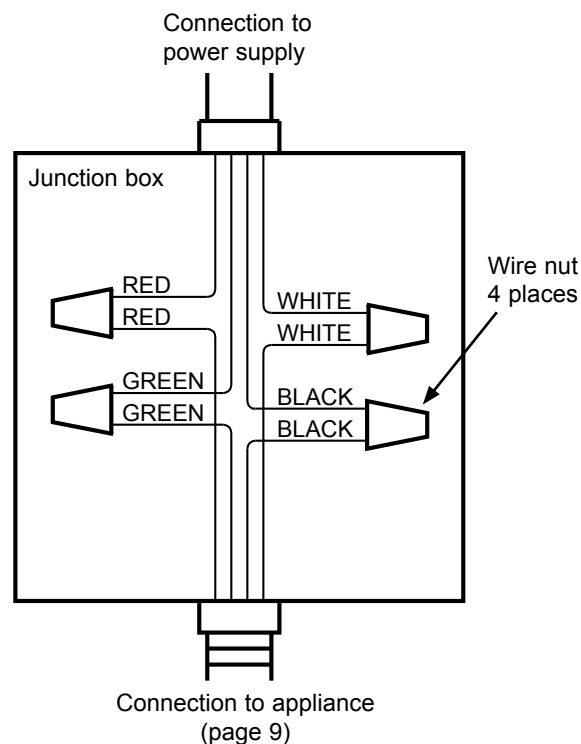
Connecting the Conduit to the House Electrical Junction Box

WARNING

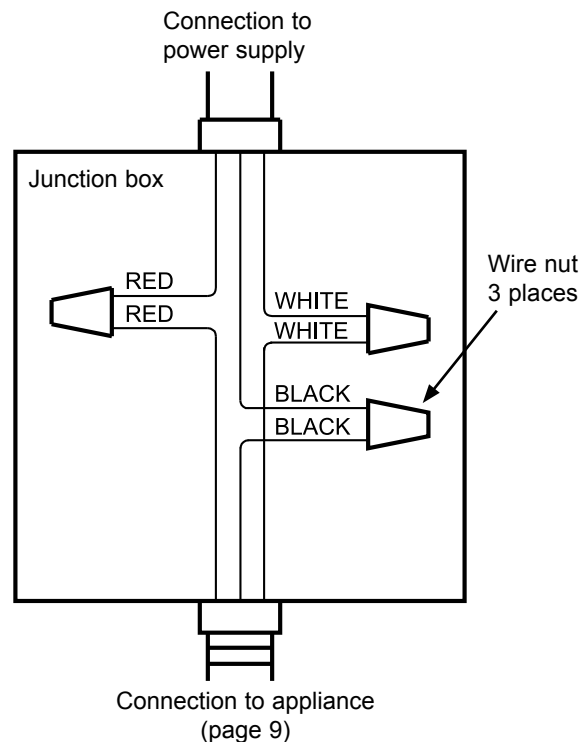
- Do not ground the appliance to a gas supply pipe or hot water pipe.
- Do not turn on power to the appliance without it being permanently grounded.
- A grounded cold water pipe must have metal continuity to electrical ground and must not be interrupted by insulating materials. Any insulating materials must be jumpered with a length of No. 4 copper wire securely clamped to bare metal at both ends.

NOTES:

- The power supply must be properly polarized. Reverse polarity will result in continuous sparking of the electrodes, even after flame ignition.
 - If there is any doubt as to whether the power supply is properly polarized or grounded, have it checked by a licensed electrician.
1. With the range positioned directly in front of the cabinet cutout, feed the appliance wires into the junction box. Depending upon local codes, utilize one of the three (3) methods shown to connect the appliance to the junction box.
 2. Connect the white wire from the appliance to the neutral (white) supply wire in the junction box.
 3. Connect the black wire from the appliance to the black (L1) power supply wire in the junction box.
 4. Connect the red wire from the appliance to the red (L2) power supply wire in the junction box.
 5. If using a 4-wire connection, connect the green wire to a grounded supply wire in the junction box or to a grounded cold water pipe. If connecting to a grounded cold water pipe:
 - ◇ Use a separate copper grounding wire (No. 10 minimum) to connect to the cold water pipe by means of a clamp and an external grounding connector screw.
 - ◇ If there are any materials that isolate the cold water pipe from ground, jumper it with a No. 4 copper wire, clamped on both ends.
 6. Replace the junction box cover.

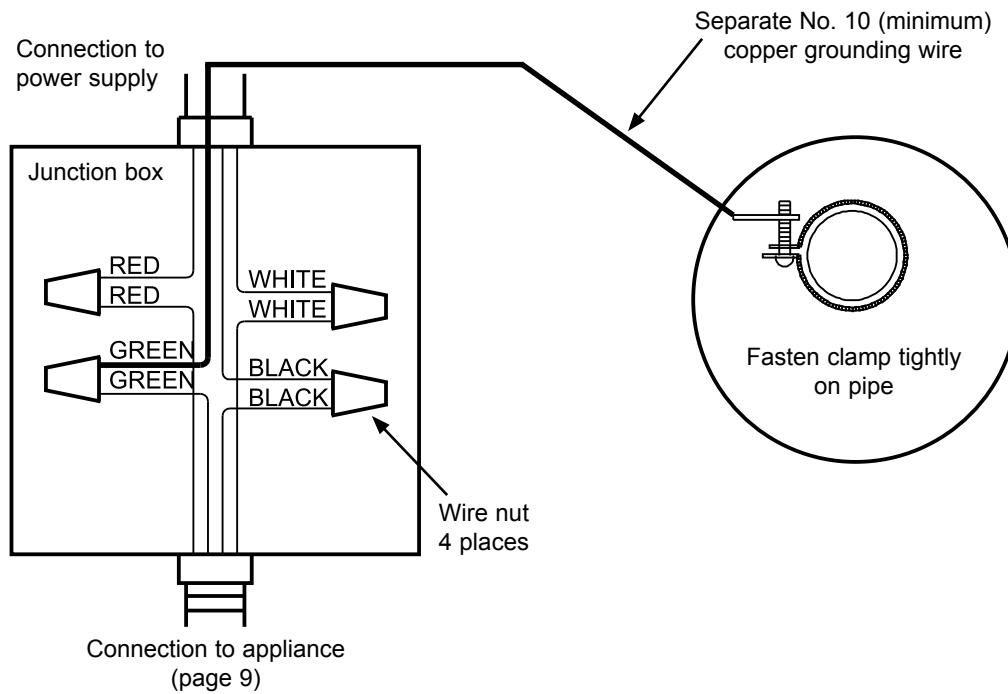


**4-Wire Connection Conduit
Junction Box Connection**

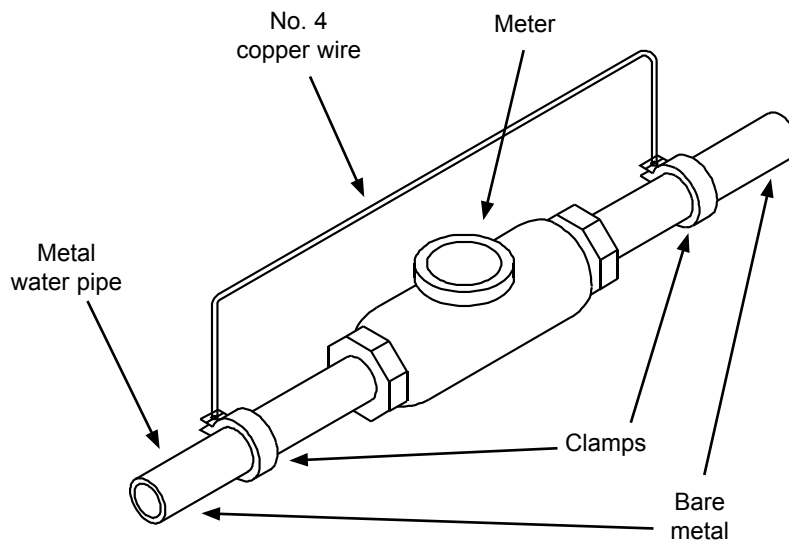


**3-Wire Connection Conduit
Junction Box Connection**

Installation Instructions



3-Wire Connection Conduit Junction Box Connection with External Ground



Insulated Pipe Jumper

Installation Instructions

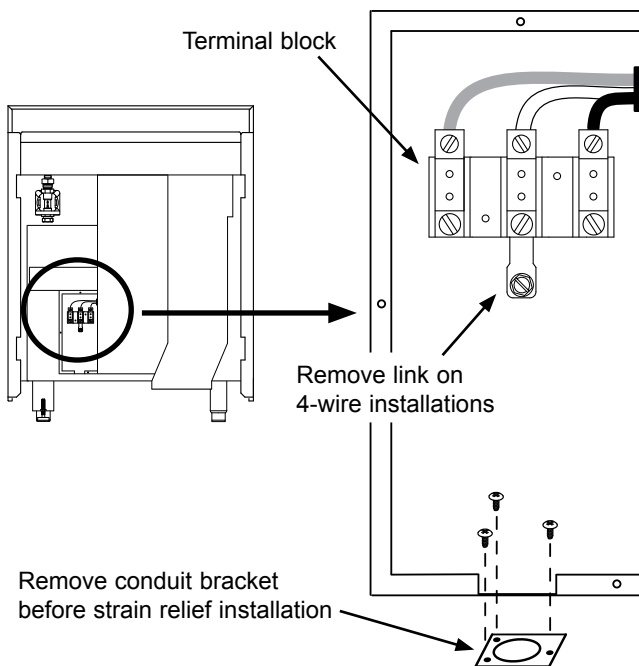
Electrical Connection (Continued)

Appliance Cord Connections - Where Local Code Permits

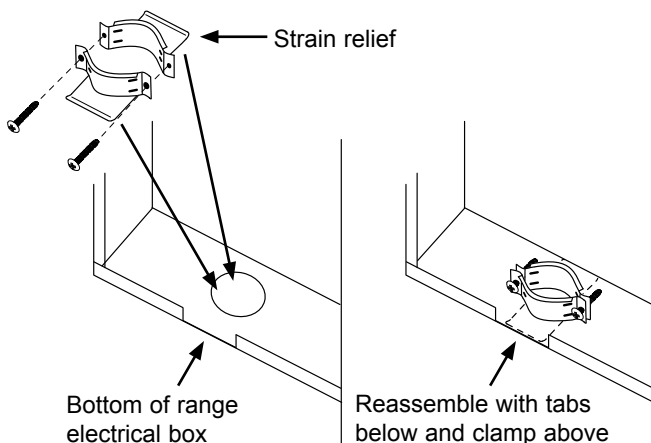
WARNING

Do not connect the green appliance wire to the neutral (white) supply wire unless local building codes permit.

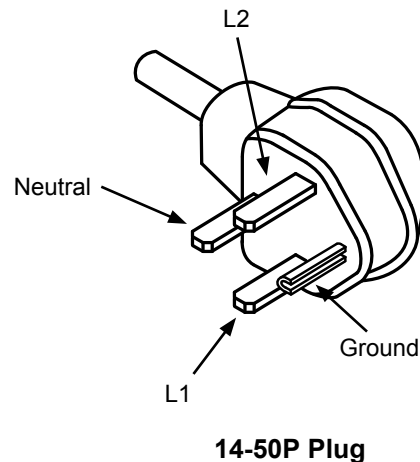
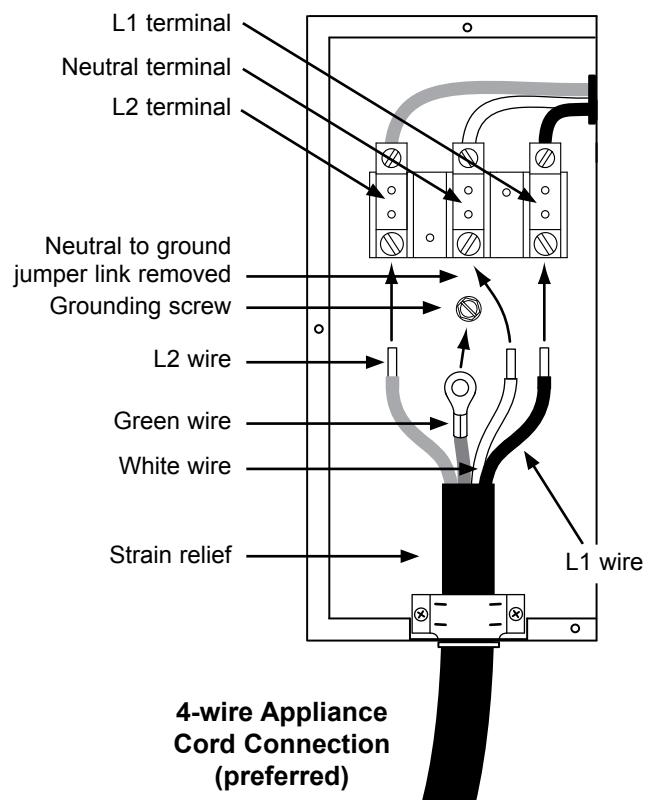
1. Remove the range electrical access cover from the back of the range.
2. **IMPORTANT:** If using a 4-wire connection, loosen the grounding screw and remove the neutral to ground jumper link from the terminal block. Leave the link in place for 3-wire connections.
3. Remove the conduit bracket from the bottom of the range electrical box.



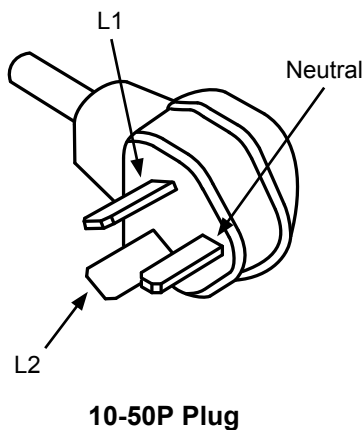
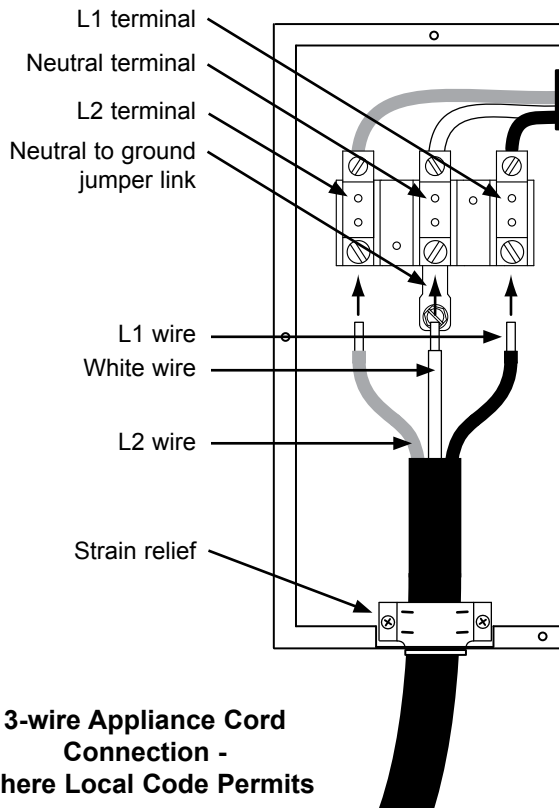
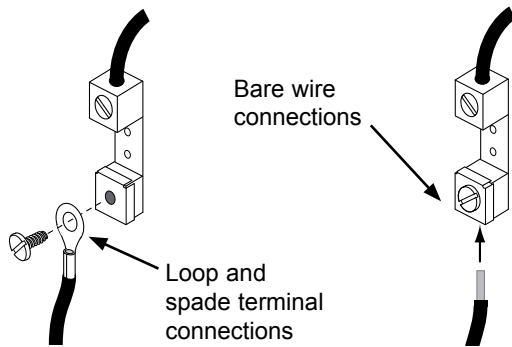
4. Disassemble and remove the strain relief from the appliance cord (not included). Insert the tabs on the two parts of the strain relief into the hole on the bottom of the box and reassemble it so that the tabs are below the box and the strain relief itself is inside the box.



5. Slide the end of the appliance cord into the strain relief from the bottom of the box.
6. Connect the white (neutral) wire to the neutral terminal in the box.
7. Connect the L1 wire to the L1 power supply terminal in the box.
8. Connect the L2 wire to the L2 power supply terminal in the box.
9. If using a 4-wire connection, connect the ground wire to the grounding screw inside the box using a loop or spade terminal.
10. Tighten the strain relief so that the appliance cord is held snugly in place.
11. Replace the range electrical access cover.



Installation Instructions



Gas Connection

⚠ WARNING

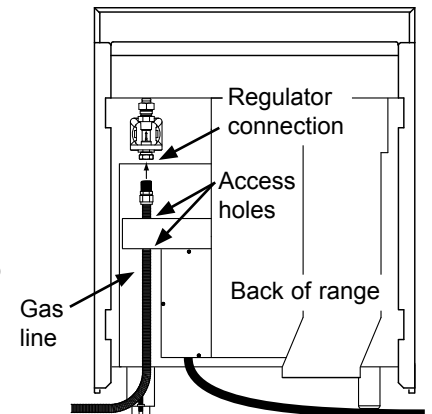
- Make sure the gas supply valve is off and that the power to the range is turned off at the circuit breaker or fuse box prior to connecting the gas line.
- Do not apply excessive pressure when tightening gas connections and fittings.
- Do not use Teflon tape or plumber's putty on gas flex line connections.
- Check for gas leaks as instructed below before using the appliance. Do not use a flame to check for leaks.
- For LP installations, the LP gas tank must have its own high pressure regulator. This is in addition to the pressure regulator provided with the range.
- The maximum gas supply pressure to the regulator must never exceed 1/2 pound per square inch (p.s.i.) or 3.5kPa.
- The range and shut-off valve must be disconnected from the gas supply piping during any pressure testing exceeding 1/2 p.s.i. (3.5 kPa).
- The range must be isolated from the gas supply piping by closing the shut-off valve during any pressure testing at or below 1/2 p.s.i. (3.5 kPa).
- Be careful not to damage the wires inside the chassis while pushing the gas line through the access holes.

NOTE: The gas pressure regulator is pre-set at the factory for the type of gas intended for use with the appliance. To verify that the appliance is compatible with the type of gas available, check the product data label (see page 3 for location). Ranges intended for use with LP gas will have "LP" as a part of the model number. Consult your dealer if the range is not compatible with the type of gas supplied.

1. Make sure the gas supply valve is in the off position and power to the range is off.
2. Connect a flexible gas supply line to the gas shut-off valve previously installed on the stub out. The gas line needs to be long enough to allow the range to be pulled out for service.
3. Slide the gas line up through the access holes in the chassis and up to the regulator. Move the wires around inside the access holes to prevent them from catching on the gas line as you push it up.
4. Connect the gas line to the regulator.
5. Turn all cooktop control valves to the **OFF** position.



6. Turn on the gas supply and check all lines and connections for leaks using a soap and water solution.
7. Turn the gas shut-off valve to the off position.



Installation Instructions

Final Installation

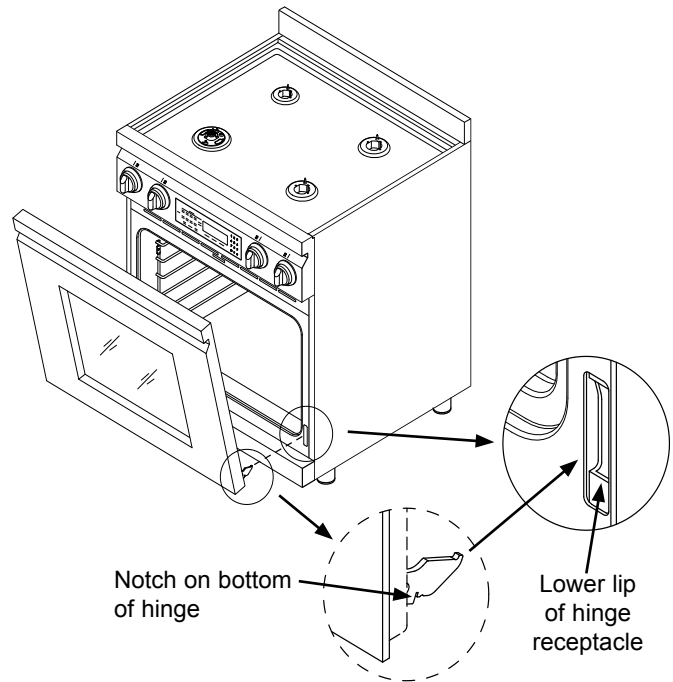
1. Peel the protective plastic coating off of the range, including the range door.
2. Carefully slide the range into position in the cutout. The rear anti-tip leg should engage the anti-tip bracket.
3. Use a level to make sure that the range does not tilt front to back or side to side. Readjust the legs if necessary.

Re-installing the Oven Door

WARNING

To avoid personal injury or damage to the door from it falling off its hinges:

- Make sure that the notch on the bottom of each hinge rests on top of the lower lip of each hinge receptacle before attempting to open the oven door.
 - Rotate the hinge locks toward the front of the range immediately after installation of the door.
1. Grasp the oven door on opposite sides and hold it at a 15° angle from the front of the oven. Slide the hinges into the hinge openings, resting the bottom of the hinge arms on the hinge receptacles. Continue to hold the door at a 15° angle with one hand while pushing in on each of the bottom corners of the door. Push until the notch on the bottom of each hinge slips over the lower lip of each hinge receptacle.
 2. Lower the door to the fully opened position.
 3. Rotate the two hinge locks toward the oven.
 4. Slowly and carefully open and close the door completely to ensure that it is properly installed.
 5. Remove any packaging from inside the oven.



Door Installation

Installation Instructions

Cooktop Assembly

WARNING

Never attempt to operate the range's cooktop with any of the burner rings, burner caps or grates removed.

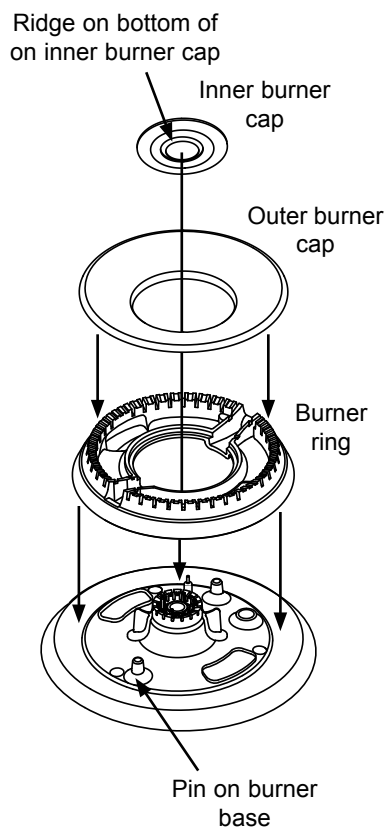
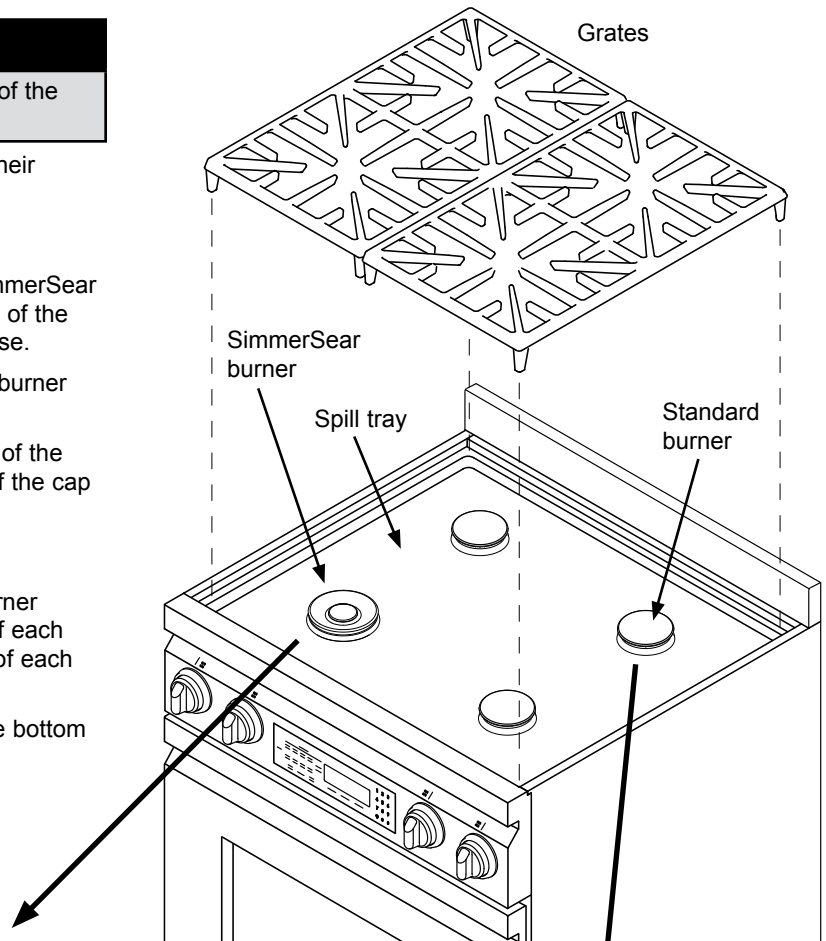
Remove the burner rings, burner caps and grates from their shipping packages.

SimmerSear Burner Assembly

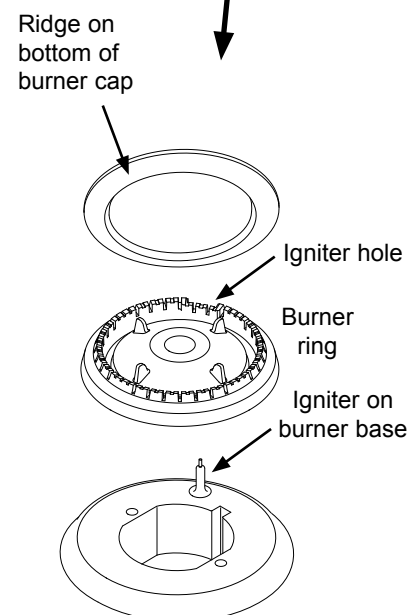
1. Install the SimmerSear burner ring on top of the SimmerSear burner base. Line up the indentations on the bottom of the burner ring with the pins on the top of the burner base.
2. Set the outer SimmerSear burner cap on top of the burner ring. Make sure the burner ring is centered on top.
3. Set the inner SimmerSear burner cap on the center of the dual burner base. Line up the ridge on the bottom of the cap with the pins on the center of the burner base.

Standard Burner Assembly

1. Install the standard burner rings on the standard burner bases according to size. Put the hole on the edge of each ring over the igniter. Center the tabs on the bottom of each ring in the hole in the center of each base.
2. Install all the standard burner caps. The ridge on the bottom of each cap must surround the top of each ring.



SimmerSear Burner Assembly



Standard Burner Assembly

Installation Instructions

Verifying Proper Operation

WARNING

- Before operating the range, read the accompanying use and care manual completely.
- Make sure that power to the range is turned off at the circuit breaker or fuse box and that the gas is turned off at the gas supply valve before proceeding.
- The cooktop must be properly grounded at all times when electrical power is applied.

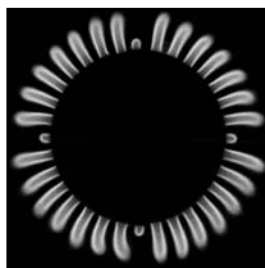
1. Before beginning the test procedure, ensure that all cooktop control valves are in the **OFF** position, and all burner rings, burner caps and grates are properly positioned on the spill tray. Remove any packaging from inside the oven.
2. Turn on the gas supply at the shut-off valve.
3. Plug in the appliance cord, if applicable. Turn on power to the range at the circuit breaker or fuse box.
4. Perform the following ignition test for all of the burners:

- ◇ Push in and turn one of the control knobs counterclockwise to the **HIGH** position. Only the igniter for the selected burner will spark. It may take up to four seconds for the gas to ignite, at which time the igniter will stop sparking. If ignition does not occur within four seconds, turn the knob to the **OFF** position, wait for at least five minutes to allow any gas to dissipate, then repeat the test.



- ◇ Once the burner lights, the control knob can be rotated counterclockwise from **HIGH** to **LOW** to adjust the flame height progressively.

- ◇ When the unit is installed properly, the flame will be steady. It will also have a sharp, blue inner cone that will vary in length proportional to the burner size. The flame will be reduced by the Smart Flame™ feature under the grate fingers to increase grate life.



Normal Flame

5. Set the clock according to the use and care manual.
6. Press the **BAKE** key on the control panel. The default bake temperature should appear on the display.
7. Enter the temperature of 350°F on the keypad.
8. Press **START**. The display should show the **BAKE** symbol and the preheating temperature.
9. After approximately three (3) minutes, the oven should begin to heat. Press the **CANCEL-SECURE** key to stop the oven heating process.



3. Repeat the bake test or burner ignition test.
4. If the appliance still does not work, contact Dacor Distinctive Service at (877) 337-3226. Do not attempt to repair the appliance yourself. Have the model and serial numbers available when you call. See page 3 for location.

Dacor is not responsible for the cost of correcting problems caused by a faulty installation.

Installation Checklist

WARNING

To ensure a safe and proper installation, the following checklist should be completed by the installer to ensure that no part of the installation has been overlooked.

- Has the plastic coating been peeled off of the outside of the range? Have all packaging materials been removed from inside the oven?
- Are all leveling legs extended down to make contact with the floor? Is the unit level? See page 7.
- Is the range secured in place with the provided anti-tip bracket and foot according to these instructions? See page 9.
- Is the range wired and grounded according to these instructions and in accordance with all applicable electrical codes? Has the electrical access cover been replaced? See Pages 4 and 8 to 13.
- Has the gas supply inlet pressure been measured to ensure that it does not exceed the maximums stated in these instructions? See page 4.
- Is the range connected to the gas supply according to these instructions and in accordance with all applicable codes? See page 13.
- Did the installer check the gas supply for leaks?
- Is the oven door properly installed according to these instructions? See page 14.
- Have the burner knobs been installed in the proper positions? See page 14.
- Are the burners and grates properly installed according to these instructions? See page 15.
- Has proper operation been verified?
- Has the warranty been activated on-line or the warranty card been filled out completely and mailed?

NOTES: If either the oven or cooktop does not operate properly, follow these troubleshooting steps:

1. Verify that power and gas are supplied to the range.
2. Check the electrical connections and gas supply to ensure that the installation has been completed correctly.

dacor[®]
The Life of the Kitchen.[®]

