



# Product Specifications



## NEW PRODUCT WARRANTIES

### Side-By-Side Refrigerators

30 Days	Limited	Water filter; parts only.
1st Year	Full	All parts and labor.
2nd – 5th Years	Limited	Sealed-system parts and labor. Repair free of charge any defective food liner in lieu of replacement.

### Easy Reach™ Plus Bottom-Freezer Refrigerators

30 Days	Limited	Water filter; parts only.
1st Year	Full	All parts and labor.
2nd – 5th Years	Limited	Sealed-system parts and labor. Repair free of charge any defective food liner in lieu of replacement.

### Top- And Bottom-Freezer Refrigerators

1st Year	Full	All parts and labor.
2nd – 5th Years	Limited	Sealed-system parts and labor. Repair free of charge any defective food liner in lieu of replacement.

### Chest And Upright Freezers

1st Year	Full	All parts and labor.
2nd – 10th Years	Limited	Sealed-system parts and labor.

### Gas Ranges And Cooktops

1st Year	Full	All parts and labor.
----------	------	----------------------

### Electric Ranges And Cooktops

1st Year	Full	All parts and labor.
2nd – 5th Years	Limited	Glass-ceramic cooktop due to thermal breakage, discoloration, rubber seal cracking, radiant elements burning out and cooktop pattern wear-off; parts only.

### Electric Wall Ovens

1st Year	Full	All parts and labor.
2nd – 5th Years	Limited	Electronic controls and electric elements; parts only.

### Over-The-Range Microwave Ovens

1st Year	Full	All parts and labor.
2nd – 5th Years	Limited	Magnetron tube; parts and labor.

### Countertop Microwave Ovens

1st Year	Carry-In	All parts and labor.
2nd – 5th Years	Carry-In	Magnetron tube, touch-pad and microprocessor controls; parts only.

### Kitchen Hoods

1st Year	Full	All parts and labor.
----------	------	----------------------

### Washers

1st Year	Full	All parts and labor.
2nd Year	Limited	Parts only.
3rd – 5th Years	Limited	Motor; parts only.
3rd – 10th Years	Limited	Cabinet rust-through, outer basket and transmission; parts only.
Lifetime	Limited	Inner basket; parts only.

### Dryers

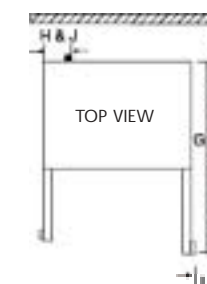
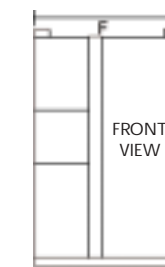
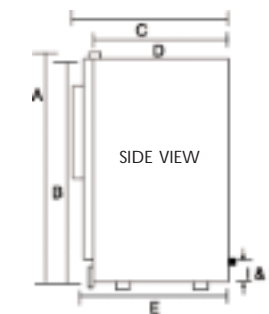
1st Year	Full	All parts and labor.
2nd Year	Limited	Parts only.
3rd – 5th Years	Limited	Motor; parts only.
3rd – 10th Years	Limited	Cabinet rust-through; parts only.
Lifetime	Limited	Stainless steel cylinder; parts only.

### Dishwashers

(ADB1500, ADB2500 and ADB3500)		
1st Year	Full	All parts and labor.
2nd – 5th Years	Limited	Free replacement parts for the Tri-Wash system, including the power module assembly, Precision Clean™ turbidity sensor, internal water manifold, wash arms, motor, controls and nylon-coated racks.
Lifetime	Limited	Free replacement parts and labor for the door liner for any failure due to leaks. Free product replacement for any failure due to leaks of the tub.

## AMANA® SIDE-BY-SIDE 23 CU. FT. REFRIGERATORS

MODELS	ASD2324HE	ASD2326HE
<b>Colors</b>		
White	•	•
Bisque	•	•
Black	•	•
Stainless Steel Door With Stainless-Style Handles	•	•
ENERGY STAR®-Qualified	•	•
<b>Fresh Food Interior</b>		
Lights	3	3
Temp-Assure® Freshness Design	•	Electronic
PuriClean® II Retractable Water/Ice Filter	750-Gallon	750-Gallon
Temperature-Controlled Beverage Chiller™ Compartment	•	•
Temperature-Controlled MiniChiller™ Compartment	•	•
Adjustable Spillsaver™ Glass Shelves	3	3
Snack Drawer	•	•
Humidity-Controlled Garden Fresh™ Sealed Crisper Drawers	1	2
Temperature-Controlled Dual Drawer	•	•
Dairy Center	•	•
Adjustable Gallon Door Buckets	3	2
Tilt-Out Door Bin	•	•
Tall Bottle Retainer	•	•
<b>Freezer Interior</b>		
Lights	3	3
Wire Shelves	2	1
Freezer Baskets	1	1
Adjustable Door Buckets	4	4
<b>Dispenser</b>		
Electronic FrontFill™ Dispenser	Three-Button	Five-Button
Auto Night Light	•	•
Control Lockout	•	•
<b>General Features</b>		
SoftSound™ Quiet Package		
EasyView™ Lighting Package	•	•
Front-Adjustable Four-Point Leveling	•	•
<b>Capacities And Unit Dimensions</b>		
Kitchen Cabinet Opening — in. (cm)	33 (83.8)	33 (83.8)
Top/Back Air Clearance — in. (cm)	½ (1.3)/½ (1.3)	½ (1.3)/½ (1.3)
Total Refrigerator Capacity — cu. ft. (cu. m)	22.6 (0.64)	22.6 (0.64)
Fresh Food Capacity — cu. ft. (cu. m)	14.8 (0.42)	14.8 (0.42)
Frozen Food Capacity — cu. ft. (cu. m)	7.9 (0.22)	7.9 (0.22)
A — Cabinet Height With Hinge Cover — in. (cm)	68½ (173.7)	68½ (173.7)
B — Cabinet Height Without Hinge — in. (cm)	66½ (169.9)	66½ (169.9)
C — Cabinet Depth With Door Handle — in. (cm)	33¾ (84.5)	33¾ (84.5)
D — Cabinet Depth Without Door — in. (cm)	28 (71.1)	28 (71.1)
E — Cabinet Depth Without Door Handle — in. (cm)	30¾ (78.1)	30¾ (78.1)
F — Cabinet Width — in. (cm)	32¾ (82.9)	32¾ (82.9)
G — Depth With Door @ 90° — in. (cm)	49 (124.5)	49 (124.5)
H — Water Line Location From Right Side Facing Back Of Unit — in. (cm)	29 (73.7)	29 (73.7)
I — Water Line Location From Bottom — in. (cm)	6 (15.2)	6 (15.2)
J — Power Cord Location From Right Side Facing Back Of Unit — in. (cm)	16 (40.6)	16 (40.6)
K — Power Cord Location From Bottom — in. (cm)	9 (22.9)	9 (22.9)
L — Side Wall Clearance For 90° Door Opening — in. (cm)	2½ (6.4)	2½ (6.4)
Approximate Shipping Weight — lbs. (kg)	300 (136.1)	300 (136.1)





## AMANA® SIDE-BY-SIDE 26 CU. FT. REFRIGERATORS

MODELS	ASD2620HR	ASD2622HR	ASD2624HE	ASD2626HE	ASD2628HE	ASB2623HR
<b>Colors</b>						
White	•	•	•	•	•	•
Bisque	•	•	•	•	•	•
Black	•	•	•	•	•	•
Silver Metallic	•					
Stainless Steel Door With Stainless-Style Handles		•	•	•	•	
ENERGY STAR®-Qualified	•		•	•	•	
Exceeds 2005 Energy-Efficiency Standards By 20%				•	•	
<b>Fresh Food Interior</b>						
Lights	2	3	3	3	3	3
Temp-Assure® Freshness Design	•	•	•	Electronic	Electronic	•
PuriClean™ II Retractable Water/Ice Filter	750-Gallon	750-Gallon	750-Gallon	750-Gallon	750-Gallon	
Temperature-Controlled Beverage Chiller™ Compartment				•	•	•
Temperature-Controlled MiniChiller™ Compartment						
Adjustable Spillsaver™ Glass Shelves		3	3	3	3	3
SideGlide™ Shelf System					•	
Snack Drawer			•			
Humidity-Controlled Garden Fresh™ Sealed Crisper Drawers		1	1	2	2	2
Temperature-Controlled Dual Drawer		•	•	•	•	•
Dairy Center	•	•	•	•	•	•
Adjustable Gallon Door Buckets	4	4	3	2	2	2
Tilt-Out Door Bin				•	•	•
Tall Bottle Retainer				•	•	
Bucket Grip Pads					•	
<b>Freezer Interior</b>						
Lights	1	3	3	3	3	2
Wire Shelves	3	2	2	2	1	2
Freezer Baskets		1	1	1	2	2
Adjustable Door Buckets	4	4	4	4	1	2
Tilt-Out Door Bins					3	3
<b>Dispenser</b>						
Electronic FrontFill™ Dispenser	Three-Button	Three-Button	Three-Button	Five-Button	Five-Button	
Auto Night Light				•	•	
Control Lockout				•	•	
<b>General Features</b>						
SoSound™ Quiet Package	1	I	I	I	II	I
EasyView™ Lighting Package				•	•	
Front-Adjustable Four-Point Leveling	•	•	•	•	•	•
<b>Capacities And Unit Dimensions</b>						
Kitchen Cabinet Opening — in. (cm)	36 (91.4)	36 (91.4)	36 (91.4)	36 (91.4)	36 (91.4)	36 (91.4)
Top/Back Air Clearance — in. (cm)	½ (1.3)/½ (1.3)	½ (1.3)/½ (1.3)	½ (1.3)/½ (1.3)	½ (1.3)/½ (1.3)	½ (1.3)/½ (1.3)	½ (1.3)/½ (1.3)
Total Refrigerator Capacity — cu. ft. (cu. m)	25.6 (0.72)	25.6 (0.72)	25.6 (0.72)	25.6 (0.72)	25.6 (0.72)	25.5 (0.72)
Fresh Food Capacity — cu. ft. (cu. m)	15.8 (0.45)	15.8 (0.45)	15.8 (0.45)	15.8 (0.45)	15.8 (0.45)	15.8 (0.45)
Frozen Food Capacity — cu. ft. (cu. m)	9.8 (0.28)	9.8 (0.28)	9.8 (0.28)	9.8 (0.28)	9.8 (0.28)	9.6 (0.27)
A — Cabinet Height With Hinge Cover — in. (cm)	70 (177.8)	70 (177.8)	70 (177.8)	70 (177.8)	70 (177.8)	70 (177.8)
B — Cabinet Height Without Hinge — in. (cm)	68½ (174)	68½ (174)	68½ (174)	68½ (174)	68½ (174)	68½ (174)
C — Cabinet Depth With Door Handle — in. (cm)	33¼ (84.5)	33¼ (84.5)	33¼ (84.5)	33¼ (84.5)	33¼ (84.5)	33¼ (84.5)
D — Cabinet Depth Without Door — in. (cm)	28 (71.1)	28 (71.1)	28 (71.1)	28 (71.1)	28 (71.1)	28 (71.1)
E — Cabinet Depth Without Door Handle — in. (cm)	30¾ (78.1)	30¾ (78.1)	30¾ (78.1)	30¾ (78.1)	30¾ (78.1)	30¾ (78.1)
F — Cabinet Width — in. (cm)	35¾ (90.5)	35¾ (90.5)	35¾ (90.5)	35¾ (90.5)	35¾ (90.5)	35¾ (90.5)
G — Depth With Door @ 90° — in. (cm)	49½ (125.7)	49½ (125.7)	49½ (125.7)	49½ (125.7)	49½ (125.7)	49½ (125.7)
H — Water Line Location From Right Side Facing Back Of Unit — in. (cm)	29½ (74.9)	29½ (74.9)	29½ (74.9)	29½ (74.9)	29½ (74.9)	29½ (74.9)
I — Water Line Location From Bottom — in. (cm)	7 (17.8)	7 (17.8)	7 (17.8)	7 (17.8)	7 (17.8)	7 (17.8)
J — Power Cord Location From Right Side Facing Back Of Unit — in. (cm)	15½ (39.4)	15½ (39.4)	15½ (39.4)	15½ (39.4)	15½ (39.4)	15½ (39.4)
K — Power Cord Location From Bottom — in. (cm)	9½ (24.1)	9½ (24.1)	9½ (24.1)	9½ (24.1)	9½ (24.1)	9½ (24.1)
L — Side Wall Clearance For 90° Door Opening — in. (cm)	2½ (6.4)	2½ (6.4)	2½ (6.4)	2½ (6.4)	2½ (6.4)	2½ (6.4)
Approximate Shipping Weight — lbs. (kg)	343 (155.6)	343 (155.6)	343 (155.6)	343 (155.6)	343 (155.6)	343 (155.6)

Amana's ongoing commitment to quality products may mean a change in product specifications without notice. For installation information, see page 41.



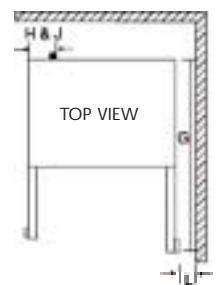
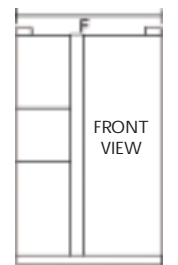
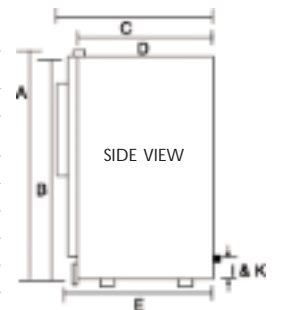
## AMANA® SIDE-BY-SIDE CABINET-DEPTH REFRIGERATORS

MODELS	ACD2232HR	ACD2234HR	ACD2238HTS
<b>Colors</b>			
White	•	•	
Bisque	•	•	
Black	•	•	
Stainless Steel	•	•	Stainless Steel Panels
<b>Fresh Food Interior</b>			
Lights	3	3	3
Temp-Assure® Freshness Design	•	•	•
PuriClean™ II Retractable Water/Ice Filter	750-Gallon	750-Gallon	750-Gallon
Temperature-Controlled Beverage Chiller™ Compartment		•	•
Temperature-Controlled MiniChiller™ Compartment		•	•
Adjustable Spillsaver™ Glass Shelves	3	3	3
Framed Humidity-Controlled Garden Fresh™ Crisper Drawers	2	2	2
Framed Temperature-Controlled Deli Drawer	•	•	•
Dairy Center	•	•	•
Adjustable Clear Door Buckets	2	2	2
<b>Freezer Interior</b>			
Lights	3	3	3
Wire Shelves	2	2	2
Adjustable Door Bucket	•	•	•
Adjustable Tilt-Out Door Buckets		3	3
Slide-Out Wire Baskets	2	2	2
<b>Dispenser</b>			
Electronic FrontFill™ Dispenser With: Auto Night Light, Control Lockout, Filter Status Indicator	Three-Button	Five-Button	Five-Button
<b>General Features</b>			
SoSound™ Quiet Package	•	•	•
<b>Capacities And Unit Dimensions</b>			
Kitchen Cabinet Opening — in. (cm)	36 (91.4)	36 (91.4)	36 (91.4)
Top/Back Clearance — in. (cm)	½ (1.3)/½ (1.3)	½ (1.3)/½ (1.3)	½ (1.3)/½ (1.3)
Total Refrigerator Capacity — cu. ft. (cu. m)	21.6 (0.61)	21.6 (0.61)	21.6 (0.61)
Fresh Food Capacity — cu. ft. (cu. m)	13.5 (0.38)	13.5 (0.38)	13.5 (0.38)
Frozen Food Capacity — cu. ft. (cu. m)	8.1 (0.23)	8.1 (0.23)	8.1 (0.23)
A — Cabinet Height With Hinge Cover — in. (cm)	70 (177.8)	70 (177.8)	70 (177.8)*
B — Cabinet Height Without Hinge — in. (cm)	68½ (174)	68½ (174)	68½ (174)
C — Cabinet Depth With Door Handle — in. (cm)	29¾ (74.3)	29¾ (74.3)	28½ (72.4)
D — Cabinet Depth Without Door — in. (cm)	24 (60.9)	24 (60.9)	24 (60.9)
E — Cabinet Depth Without Door Handle — in. (cm)	26¾ (67.9)	26¾ (67.9)	27¾ (68.9)
F — Cabinet Width — in. (cm)	35¾ (90.5)	35¾ (90.5)	35¾ (90.5)
G — Depth With Door @ 90° — in. (cm)	45½ (115.6)	45½ (115.6)	45½ (115.9)
H — Water Line Location From Right Side Facing Back Of Unit — in. (cm)	29½ (74.9)	29½ (74.9)	29½ (74.9)
I — Water Line Location From Bottom — in. (cm)	7 (17.8)	7 (17.8)	7 (17.8)
J — Power Cord Location From Right Side Facing Back Of Unit — in. (cm)	15½ (39.4)	15½ (39.4)	15½ (39.4)
K — Power Cord Location From Bottom — in. (cm)	9½ (24.1)	9½ (24.1)	9½ (24.1)
L — Side Wall Clearance For 90° Door Opening — in. (cm)	2½ (6.4)	2½ (6.4)	1½ (3.8)
Approximate Shipping Weight — lbs. (kg)	300 (136.1)	300 (136.1)	300 (136.1)

\*The height of the door to the top of the trim for ACD2238HTS is 70¾" (178.1 cm).

Replacing the stainless steel panels on ACD2238HTS with custom panels results in the following measurements:

	Panel Height	Panel Width	Weight Limitations:
Fresh Food Door — in. (cm)	66¾ (169.5)	18¾ (48.1)	Fresh food panel should not weigh more than 30 lbs. (14 kg). Freezer panels should not weigh more than 15 lbs. (7 kg) each.
Ice And Water Upper Freezer Door — in. (cm)	18¾ (46.0)	13¾ (35.4)	
Ice And Water Lower Freezer Door — in. (cm)	32¾ (81.5)	13¾ (35.4)	

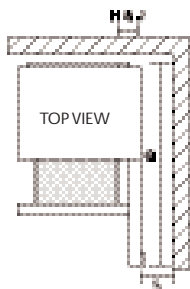
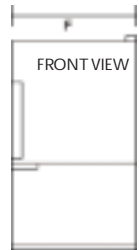
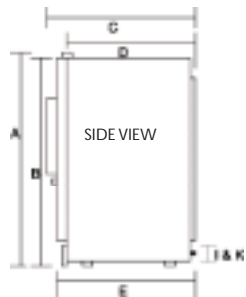


Amana's ongoing commitment to quality products may mean a change in product specifications without notice.



AMANA® EASY REACH™ REFRIGERATORS

Table with columns for Models (ABB1921DE, ABB192ZDE, ABB2223DE, ABB222ZDE) and rows for Colors, Fresh Food Interior, Freezer Interior, General Features, and Capacities And Unit Dimensions.

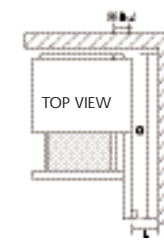
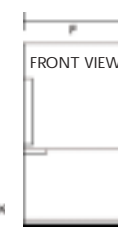
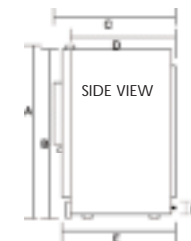


Amana's ongoing commitment to quality products may mean a change in product specifications without notice.



AMANA® EASY REACH™ PLUS REFRIGERATORS

Table with columns for Models (ABB1924DE, ABB2224DE, ABB2524DE, ABB1927DE, ABB2227DE, ABB2527DE) and rows for Colors, Fresh Food Interior, Freezer Interior, General Features, and Capacities And Unit Dimensions.

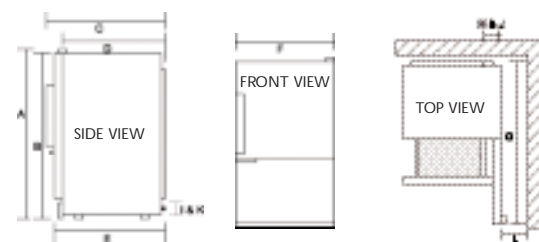


Amana's ongoing commitment to quality products may mean a change in product specifications without notice.



### AMANA® EASY REACH™ PLUS REFRIGERATORS

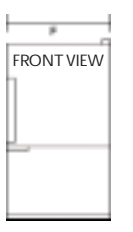
MODELS	ABD2233DE	ABD2533DE	FRENCH DOOR AFB2534DE	FRENCH DOOR AFD2535DE
<b>Colors</b>				
White	•	•	•	•
Bisque	•	•	•	•
Black	•	•	•	•
Stainless Steel Door With Stainless-Style Handles	•	•	•	•
ENERGY STAR®-Qualified	•	•	•	•
<b>Fresh Food Interior</b>				
Covered Lights	2	2	2	2
EasyFill™ Internal Water Dispenser	•	•	•	•
PuriClean® II Retractable Water/Ice Filter	•	•	•	•
Electronic Temp-Assure™ Freshness Design	•	•	•	•
Adjustable Spillsaver™ Glass Shelves (Total)	4 Half-Width	4 Half-Width	4 Half-Width	4 Half-Width
EasyGlide™ Shelves	2	2	2	2
Temperature-Controlled Beverage Chiller™ Compartment	•	•	•	•
Temperature-Controlled Chef's Pantry™ Drawer	With Divider	With Divider	With Divider	With Divider
Humidity-Controlled Garden Fresh™ Sealed Crisper Drawers	2 (Framed)	2 (Framed)	2 (Framed)	2 (Framed)
Dairy Center	•	•	•	•
Gallon Door Storage	•	•	•	•
Clear Adjustable Door Buckets	4	4	5	5
Bucket Grip Pads	•	•	•	•
FreshNest™ Covered Egg Storage	•	•	•	•
Bottle Caddy	•	•	•	•
<b>Freezer Interior</b>				
Covered Light	•	•	•	•
EasyFreezer™ Pull-Out Drawer With EasyClose™ Drawer Track System	•	•	•	•
Slide-Out Upper Basket	•	•	•	•
Glide-Out Lower Basket With QuickSplit™ Organizer	•	•	•	•
Icemaker And Ice Bucket	Factory-Installed	Factory-Installed	•	Factory-Installed
<b>General Features</b>				
EasyView™ Lighting Package	•	•	•	•
SofSound™ II Quiet Package	•	•	•	•
Consumer-Reversible Door Swing	•	•	•	•
<b>Capacities And Unit Dimensions</b>				
Kitchen Cabinet Opening — in. (cm)	33 (83.8)	36 (91.4)	36 (91.4)	36 (91.4)
Top/Back Air Clearance — in. (cm)	½ (1.3)/½ (1.3)	½ (1.3)/½ (1.3)	½ (1.3)/½ (1.3)	½ (1.3)/½ (1.3)
Total Refrigerator Capacity — cu. ft. (cu. m)	22.1 (0.63)	25.1 (0.71)	24.8 (0.70)	24.8 (0.70)
Fresh Food Capacity — cu. ft. (cu. m)	15.6 (0.44)	17.77 (0.51)	17.5 (0.50)	17.5 (0.50)
Frozen Food Capacity — cu. ft. (cu. m)	6.3 (0.18)	7.29 (0.21)	7.29 (0.21)	7.29 (0.21)
A — Cabinet Height With Hinge Cover — in. (cm)	69¾ (177.5)	69¾ (177.5)	69¾ (177.5)	69¾ (177.5)
B — Cabinet Height Without Hinge — in. (cm)	68¾ (174.3)	68¾ (174.3)	68¾ (174)	68¾ (174)
C — Cabinet Depth With Door Handle — in. (cm)	33 (83.8)	34 (86.4)	34 (86.4)	34 (86.4)
D — Cabinet Depth Without Door — in. (cm)	28 (71.1)	29 (73.7)	29 (73.7)	29 (73.7)
E — Cabinet Depth Without Door Handle — in. (cm)	30¾ (78.1)	31¾ (80.6)	31¾ (80.6)	31¾ (80.6)
F — Cabinet Width — in. (cm)	32¾ (82.9)	35¾ (90.5)	35¾ (90.5)	35¾ (90.5)
G — Depth With Door @ 90° — in. (cm)	62¾ (173)	66¾ (168)	48¾ (122.5)	48¾ (122.5)
H — Water Line Location From Left Side Facing Back Of Unit — in. (cm)	2 (5.1)	5 (12.7)	5 (12.7)	5 (12.7)
I — Water Line Location From Bottom — in. (cm)	6 (15.2)	6 (15.2)	6 (15.2)	6 (15.2)
J — Power Cord Location From Left Side Facing Back Of Unit — in. (cm)	14¾ (36.2)	17¾ (43.8)	17¾ (43.8)	17¾ (43.8)
K — Power Cord Location From Bottom — in. (cm)	9¾ (23.5)	9¾ (23.5)	9¾ (23.5)	9¾ (23.5)
L — Side Wall Clearance For 90° Door Opening — in. (cm)	½ (0.6)	½ (0.6)	½ (1.3)	½ (1.3)
Approximate Shipping Weight — lbs. (kg)	313 (141.9)	350 (158.8)	350 (158.8)	350 (158.8)



Amana's ongoing commitment to quality products may mean a change in product specifications without notice.

### AMANA® EASY REACH™ PLUS CABINET-DEPTH REFRIGERATORS

MODELS	ABC2037DE	ABC2037DT	ABC2037DP
Style	Freestanding	Built-In Look With Trim And Full-Length Handles	Built-In Look With Trim And Full-Length Handles
<b>Colors</b>			
White	•	•	•
Bisque	•	•	•
Black	•	•	•
Black Cabinet With Stainless Steel Door	•	•	Stainless Steel Panels
Door Trim And Handles — Factory-Installed	With Stainless-Style Designer Bar Handles	White On White/Black On Black/ Stainless Steel On Black	Stainless-Style
Door Panels	•	Requires Custom Panels	Stainless Steel — Factory-Installed
ENERGY STAR®-Qualified	•	•	•
<b>Fresh Food Interior</b>			
Covered Lights	2	2	2
EasyFill™ Internal Filtered Water Dispenser	•	•	•
PuriClean® II Retractable Water/Ice Filter	•	•	•
Electronic Temp-Assure™ Freshness Design	•	•	•
Adjustable Spillsaver™ Glass Shelves (Total)	4 Half-Width	4 Half-Width	4 Half-Width
EasyGlide™ Shelves	4	4	4
Temperature-Controlled Beverage Chiller™ Compartment	•	•	•
Temperature-Controlled Chef's Pantry™ Drawer With Self-Opening Lid	•	•	•
Humidity-Controlled Garden Fresh™ Sealed Crisper Drawers	2	2	2
Dairy Center	•	•	•
Gallon Door Storage	•	•	•
Adjustable Clear Door Buckets	•	•	•
Bucket Grip Pads	•	•	•
Bottle Caddy	•	•	•
FreshNest™ Covered Egg Storage	•	•	•
<b>Freezer Interior</b>			
Covered Light	•	•	•
EasyFreezer™ Pull-Out Drawer With EasyClose™ Drawer Track System	•	•	•
Slide-Out Upper Basket	•	•	•
Glide-Out Lower Basket With QuickSplit™ Organizer	•	•	•
Icemaker And Ice Bucket	Factory-Installed	Factory-Installed	Factory-Installed
<b>General Features</b>			
SofSound™ II Quiet Package	•	•	•
EasyView™ Lighting Package	•	•	•
Consumer-Reversible Door Swing	•	•	•
<b>Capacities And Unit Dimensions</b>			
Kitchen Cabinet Opening — in. (cm)	36 (91.4)	36 (91.4)	36 (91.4)
Top/Back Air Clearance — in. (cm)	0 (0)/½ (1.3)	0 (0)/½ (1.3)	0 (0)/½ (1.3)
Total Refrigerator Capacity — cu. ft. (cu. m)	20.3 (0.57)	20.3 (0.57)	20.3 (0.57)
Fresh Food Capacity — cu. ft. (cu. m)	14.62 (0.41)	14.62 (0.41)	14.62 (0.41)
Frozen Food Capacity — cu. ft. (cu. m)	5.66 (0.16)	5.66 (0.16)	5.66 (0.16)
A — Cabinet Height With Hinge Cover — in. (cm)	70¾ (178.1)	70¾ (178.1)	70¾ (178.1)
B — Cabinet Height Without Hinge — in. (cm)	68¾ (174)	68¾ (174)	68¾ (174)
C — Cabinet Depth With Door Handle — in. (cm)	29 (73.7)	28 (71.1)	28 (71.1)
D — Cabinet Depth Without Door — in. (cm)	24 (60.9)	24 (60.9)	24 (60.9)
E — Cabinet Depth Without Door Handle — in. (cm)	27¾ (68.9)	27¾ (68.9)	27¾ (68.9)
F — Cabinet Width — in. (cm)	35¾ (90.5)	35¾ (90.5)	35¾ (90.5)
G — Depth With Door @ 90° — in. (cm)	61¾ (155.6)	61¾ (155.6)	61¾ (155.6)
H — Water Line Location From Left Side Facing Back Of Unit — in. (cm)	8 (20.3)	8 (20.3)	8 (20.3)
I — Water Line Location From Bottom — in. (cm)	6 (15.2)	6 (15.2)	6 (15.2)
J — Power Cord Location From Left Side Facing Back Of Unit — in. (cm)	20¾ (51.4)	20¾ (51.4)	20¾ (51.4)
K — Power Cord Location From Bottom — in. (cm)	9¾ (23.5)	9¾ (23.5)	9¾ (23.5)
L — Side Wall Clearance For 90° Door Opening — in. (cm)	½ (0.2)	½ (0.2)	½ (0.2)
Approximate Shipping Weight — lbs. (kg)	327 (148.3)	327 (148.3)	327 (148.3)



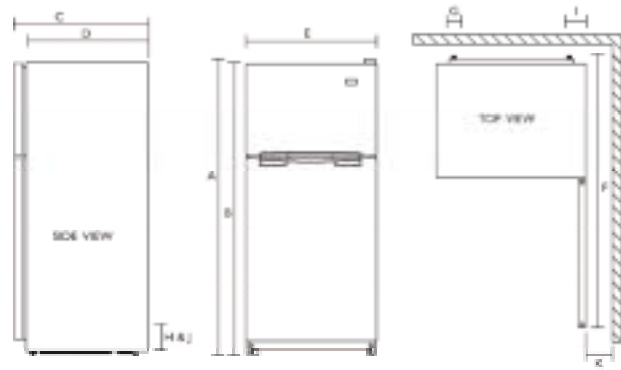
Replacing the panels on ABC2037DT with custom panels results in the following measurements:

	Panel Height	Panel Width	Weight Limitations: Refrigerator door panel should not weigh more than 30 lbs. (14 kg). Freezer drawer panel should not weigh more than 15 lbs. (7 kg).
Refrigerator Door — in. (cm)	42 (106.7)	35¾ (90.5)	
Freezer Drawer — in. (cm)	23¾ (59.1)	36¾ (91.6)	



AMANA® 15 AND 18 CU. FT. TOP-FREEZER REFRIGERATORS

MODELS	ATB1504AR	ATB1830AR	ATB1832AR	ATB1836AR	ATF1836AR
<b>Colors</b>					
White	•	•	•	•	•
Bisque		•	•	•	•
Black			•	•	•
Stainless Steel	•			•	•
Ultrafinish™ Steel Surface			•		
<b>Fresh Food Interior</b>					
Light	•	•	•	•	•
Central Cool™ System			•	•	•
Adjustable Spillsaver™ Glass Shelves				•	•
Glass Crisper Shelf	•	•	•	•	•
Humidity-Controlled Garden Fresh™ Crisper Drawers	2	2	2	2	2
Dairy Center	•	•	•	•	•
Fixed Gallon Door Shelves		3	3	1	1
Gallon Door Buckets	2			4	4
<b>Freezer Interior</b>					
Covered Light			•	•	•
Wire Shelf	•	•	•	•	•
Optional Icemaker And Ice Bucket	UK1500AXX	UK1500AXX	UK1500AXX	UK1500AXX	Factory-Installed
FlexAction Ice Cube Trays	2	2	2	2	
<b>Capacities And Unit Dimensions</b>					
Kitchen Cabinet Opening — in. (cm)	28 (71.1)	30 (76.2)	30 (76.2)	30 (76.2)	30 (76.2)
Top/Back Air Clearance — in. (cm)	½ (1.3)/½ (1.3)	½ (1.3)/½ (1.3)	½ (1.3)/½ (1.3)	½ (1.3)/½ (1.3)	½ (1.3)/½ (1.3)
Total Refrigerator Capacity — cu. ft. (cu. m)	14.99 (0.42)	18.1 (0.51)	18.1 (0.51)	18.1 (0.51)	18.1 (0.51)
Fresh Food Capacity — cu. ft. (cu. m)	10.75 (0.30)	13 (0.37)	13 (0.37)	13 (0.37)	13 (0.37)
Frozen Food Capacity — cu. ft. (cu. m)	4.24 (0.12)	5.1 (0.14)	5.1 (0.14)	5.1 (0.14)	5.1 (0.14)
A — Cabinet Height With Hinge Cover — in. (cm)	61¼ (157.2)	66½ (169.2)	66½ (169.2)	66½ (169.2)	66½ (169.2)
B — Cabinet Height Without Hinge — in. (cm)	61¼ (155.6)	66 (167.6)	66 (167.6)	66 (167.6)	66 (167.6)
C — Cabinet Depth With Door Handle — in. (cm)	28¾ (72.4)	29¾ (74.7)	29¾ (74.7)	29¾ (74.7)	29¾ (74.9)
D — Cabinet Depth Without Door — in. (cm)	25¼ (64.1)	26½ (66.4)	26½ (66.4)	26½ (66.4)	26¼ (66.7)
E — Cabinet Width — in. (cm)	28 (71.1)	29¾ (75.2)	29¾ (75.2)	29¾ (75.2)	29¾ (75.2)
F — Depth With Door @ 90° — in. (cm)	54¼ (138.4)	56¾ (143.3)	56¾ (143.3)	56¾ (143.3)	56¾ (143.5)
G — Water Line Location From Left Side Facing Back Of Unit — in. (cm)	2 (5.1)	30¾ (77.2)	30¾ (77.2)	30¾ (77.2)	30¾ (77.5)
H — Water Line Location From Bottom — in. (cm)	6 (15.2)	5¾ (13.5)	5¾ (13.5)	5¾ (13.5)	5¾ (13.7)
I — Power Cord Location From Left Side Facing Back Of Unit — in. (cm)	2 (5.1)	2 (5.1)	2 (5.1)	2 (5.1)	2 (5.1)
J — Power Cord Location From Bottom — in. (cm)	11 (28)	10¼ (27.3)	10¼ (27.3)	10¼ (27.3)	10¼ (27.3)
K — Side Wall Clearance For 90° Door Opening — in. (cm)	1 (2.5)	1¾ (3.8)	1¾ (3.8)	1¾ (3.8)	1¾ (3.8)
Approximate Shipping Weight — lbs. (kg)	208 (94.3)	193.6 (87.8)	193.6 (87.8)	193.6 (87.8)	193.6 (87.8)

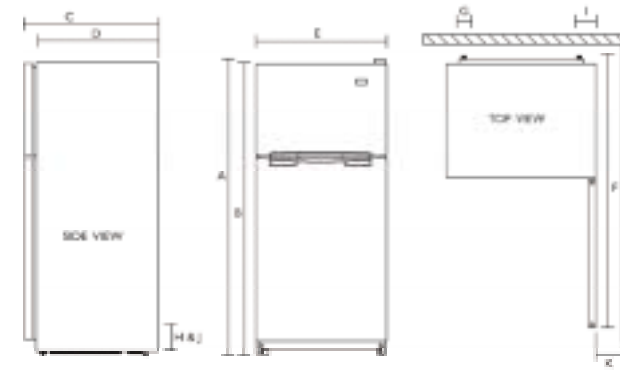


Amana's ongoing commitment to quality products may mean a change in product specifications without notice.



AMANA® 21 CU. FT. TOP-FREEZER REFRIGERATORS

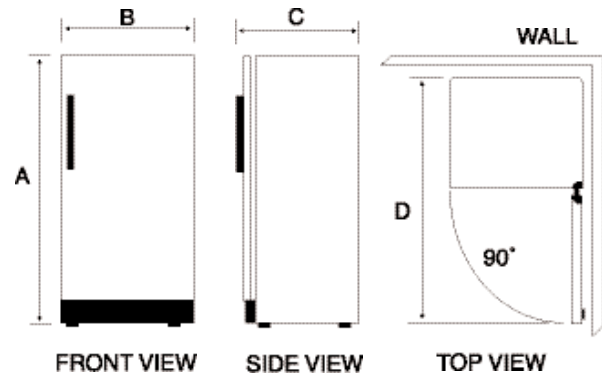
MODELS	ATB2130AR	ATB2132AR	ATB2136AR	ATF2136AR
<b>Colors</b>				
White	•	•	•	•
Bisque	•	•	•	•
Black			•	•
Stainless Steel	•		•	•
Ultrafinish™ Steel Surface		•		
<b>Fresh Food Interior</b>				
Light	•	•	•	•
Central Cool™ System		•	•	•
Adjustable Spillsaver™ Glass Shelves			•	•
Glass Crisper Shelf	•	•	•	•
Humidity-Controlled Garden Fresh™ Crisper Drawers	2	2	2	2
Dairy Center	•	•	•	•
Fixed Gallon Door Shelves	3	3	1	1
Adjustable Gallon Door Buckets			4	4
<b>Freezer Interior</b>				
Covered Light		•	•	•
Wire Shelf	•	•	•	•
Optional Icemaker And Ice Bucket	UK1500AXX	UK1500AXX	UK1500AXX	Factory-Installed
FlexAction Ice Cube Trays	2	2	2	
<b>Capacities And Unit Dimensions</b>				
Kitchen Cabinet Opening — in. (cm)	33 (83.8)	33 (83.8)	33 (83.8)	33 (83.8)
Top/Back Air Clearance — in. (cm)	½ (1.3)/½ (1.3)	½ (1.3)/½ (1.3)	½ (1.3)/½ (1.3)	½ (1.3)/½ (1.3)
Total Refrigerator Capacity — cu. ft. (cu. m)	20.97 (0.59)	20.97 (0.59)	20.97 (0.59)	20.97 (0.59)
Fresh Food Capacity — cu. ft. (cu. m)	14.9 (0.42)	14.9 (0.42)	14.9 (0.42)	14.9 (0.42)
Frozen Food Capacity — cu. ft. (cu. m)	6.07 (0.17)	6.07 (0.17)	6.07 (0.17)	6.07 (0.17)
A — Cabinet Height With Hinge Cover — in. (cm)	66½ (169.2)	66½ (169.2)	66½ (169.2)	66½ (169.2)
B — Cabinet Height Without Hinge — in. (cm)	66 (167.6)	66 (167.6)	66 (167.6)	66 (167.6)
C — Cabinet Depth With Door Handle — in. (cm)	30¾ (76.7)	30¾ (76.7)	30¾ (76.7)	30¾ (76.8)
D — Cabinet Depth Without Door — in. (cm)	26¾ (68.5)	26¾ (68.5)	26¾ (68.5)	27 (68.6)
E — Cabinet Width — in. (cm)	32¾ (82.9)	32¾ (82.9)	32¾ (82.9)	32¾ (83.2)
F — Depth With Door @ 90° — in. (cm)	60¾ (154.2)	60¾ (154.2)	60¾ (154.2)	60¾ (154.3)
G — Water Line Location From Left Side Facing Back Of Unit — in. (cm)	27¾ (69.1)	27¾ (69.1)	27¾ (69.1)	27¾ (69.2)
H — Water Line Location From Bottom — in. (cm)	5¾ (13.5)	5¾ (13.5)	5¾ (13.5)	5¾ (13.7)
I — Power Cord Location From Left Side Facing Back Of Unit — in. (cm)	2 (5.1)	2 (5.1)	2 (5.1)	2 (5.1)
J — Power Cord Location From Bottom — in. (cm)	10¼ (27.3)	10¼ (27.3)	10¼ (27.3)	10¼ (27.3)
K — Side Wall Clearance For 90° Door Opening — in. (cm)	1¾ (2.8)	1¾ (2.8)	1¾ (2.8)	1¾ (2.9)
Approximate Shipping Weight — lbs. (kg)	220.5 (100)	220.5 (100)	220.5 (100)	220.5 (100)



Amana's ongoing commitment to quality products may mean a change in product specifications without notice.

## AMANA® DEEPFREEZE® UPRIGHT FREEZERS

MODELS	AFU1202BW	AQU1525AEW	AFU1705BW	AFU2005BW	AFU1567BW	AFU1767BW	AFU2067BW
<b>Color</b>							
White	•	•	•	•	•	•	•
ENERGY STAR®-Qualified		•					
<b>Deepfreeze® Freezer Interior</b>							
Frozen Food Capacity — cu. ft. (cu. m)	11.8 (0.33)	15.2 (0.43)	16.8 (0.47)	19.6 (0.55)	15.2 (0.43)	16.8 (0.47)	19.6 (0.55)
Defrost Type	Manual	Manual	Manual	Manual	Free-O-Frost™	Free-O-Frost™	Free-O-Frost™
Adjustable Temperature Control	•	•	•	•	•	•	•
Cabinet Shelves	3	3	3	4	3	4	4
Door Shelves	5	4	5	6	4	5	6
Power On Light					•	•	•
Interior Light		•	•	•	•	•	•
Lock With Key		•	•	•	•	•	•
Storage Gate	•	•			•		
Storage Basket			•	•		•	•
Fast-Freeze Settings		•	•	•	•	•	•
Temperature Alarm System							•
Defrost Drain	•	•	•	•			
<b>Exterior Features</b>							
Handle Type	Recessed	Recessed	Full	Full	Full	Full	Full
Flat Back					•	•	•
Seamless Interior Liner	•	•	•	•	•	•	•
Textured Cabinet	•	•	•	•	•	•	•
Square Door Style	•	•	•	•	•	•	•
<b>Exterior Dimensions — in. (cm)</b>							
A — Height	60½ (153.7)	60 (152.4)	66½ (168.9)	66½ (168.9)	60½ (153.7)	66½ (168.9)	66½ (168.9)
B — Width	24 (61)	28 (71.1)	30 (76.2)	33 (83.8)	30 (76.2)	30 (76.2)	33 (83.8)
C — Overall Depth	27½ (69.7)	28½ (72.4)	28½ (71.9)	28½ (71.9)	28½ (71.9)	28½ (71.9)	28½ (71.9)
D — Depth With Door Open 90°	50½ (128.3)	56½ (143.5)	56½ (143.5)	59½ (151.1)	56½ (143.5)	56½ (143.5)	59½ (151.1)
Air Clearance — Sides And Top	3 (7.6)	3 (7.6)	3 (7.6)	3 (7.6)	3 (7.6)	3 (7.6)	3 (7.6)
Approximate Shipping Weight — lbs. (kg)	164 (74.4)	192 (87.1)	202/206 (91.6/93.4)	210 (95.3)	192 (87.1)	202/206 (91.6/93.4)	210 (95.3)
<b>Electrical Requirements</b>							
V/Hz	115/60	115/60	115/60	115/60	115/60	115/60	115/60
Commercial Rating				•	•	•	•

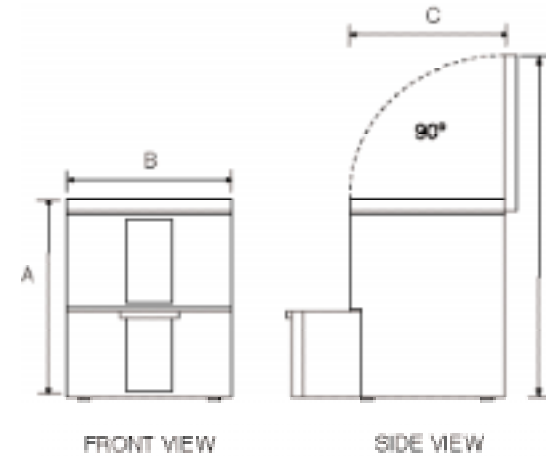


Amana's ongoing commitment to quality products may mean a change in product specifications without notice.

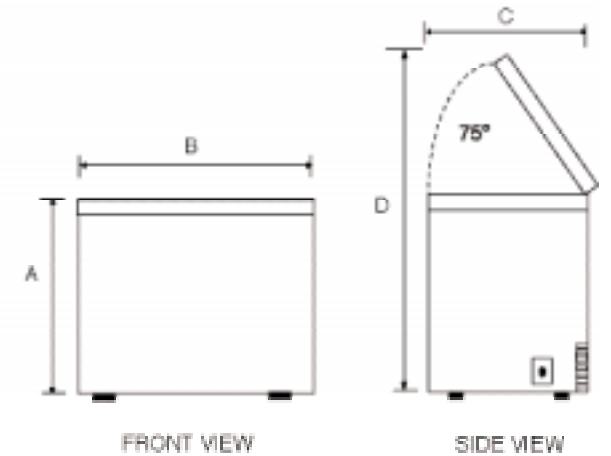
## AMANA® DEEPFREEZE® CHEST FREEZERS

MODELS	AFC0507BW	AFC0503BW	AFC0703BW	AFC1005BW	AQC1526AEW	AFC2207BW
<b>Color</b>						
White	•	•	•	•	•	•
ENERGY STAR®-Qualified					•	
<b>Deepfreeze® Freezer Interior</b>						
Frozen Food Capacity — cu. ft. (cu. m)	4.6 (0.13)	5.0 (0.14)	7.0 (0.20)	10.0 (0.28)	14.8 (0.42)	21.7 (0.61)
Frozen Food Storage — lbs. (kg)	145 (65.8)	150 (68.0)	210 (95.3)	315 (142.9)	410 (186.0)	545 (247.2)
Defrost Type		Manual	Manual	Manual	Manual	Manual
Easy Find™ Storage Drawer	•					
EvenFreeze™ Food Preservation System	•	•	•	•	•	•
Adjustable Temperature Control	•	•	•	•	•	•
Removable Baskets	1	1	1	2	2	4
Basket Storage Levels	1	1			1	2
Power On Light	•	•	•	•	•	•
Interior Light					•	•
Lock With Key	•		•	•	•	•
Fast-Freeze Settings	•					
Defrost Drain		•	•	•	•	•
Hose Adapter		•			•	•
Seamless Interior Liner	•	•	•	•	•	•
<b>Exterior Features</b>						
Handle Type	Grip	Grip	Grip	Grip	Grip	Grip
Rollers	•					
Type Of Cabinet	Square	Square	Square	Square	Square	Square
Type Of Lid	Curved	Flat	Flat	Flat	Flat	Flat
Split-Top Design						•
<b>Exterior Dimensions — in. (cm)</b>						
A — Height Including Lid	33½ (86.0)	31½ (80.5)	35 (88.9)	35 (88.9)	35 (88.9)	35 (88.9)
B — Width	28½ (72.0)	29½ (74.6)	31½ (80.0)	42½ (107.2)	46½ (117.2)	64½ (164.8)
C — Overall Depth	26½ (67.5)	23½ (60)	24½ (61.1)	24½ (61.1)	29½ (74.6)	29½ (74.6)
D — Height With Lid Open 90° Or 75°	60½ (154.0)	55½ (141.0)	54½ (137.8)	54½ (137.8)	60½ (153.4)	60½ (153.4)
Air Clearance — Sides And Back	3 (7.6)	3 (7.6)	3 (7.6)	3 (7.6)	3 (7.6)	3 (7.6)
Approximate Shipping Weight — lbs. (kg)	110 (50.0)	95 (43.0)	115 (52.2)	136 (61.7)	164 (74.4)	220 (99.8)
<b>Electrical Requirements</b>						
V/Hz	115/60	115/60	115/60	115/60	115/60	115/60
Commercial Rating					•	•

AFC0507BW



AFC0503BW, AFC0703BW, AFC1005BW, AQC1526AEW, AFC2207BW



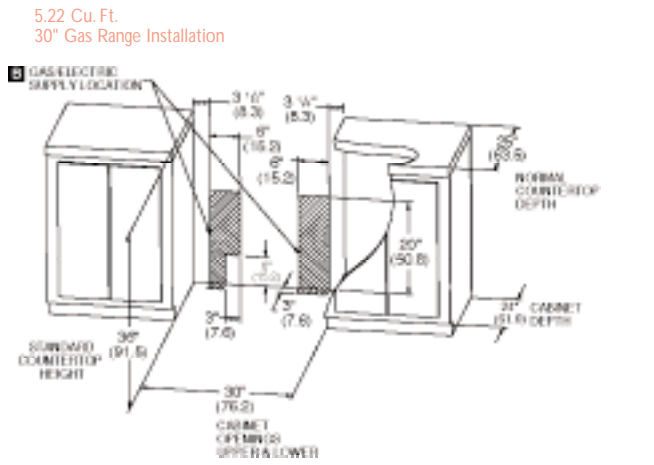
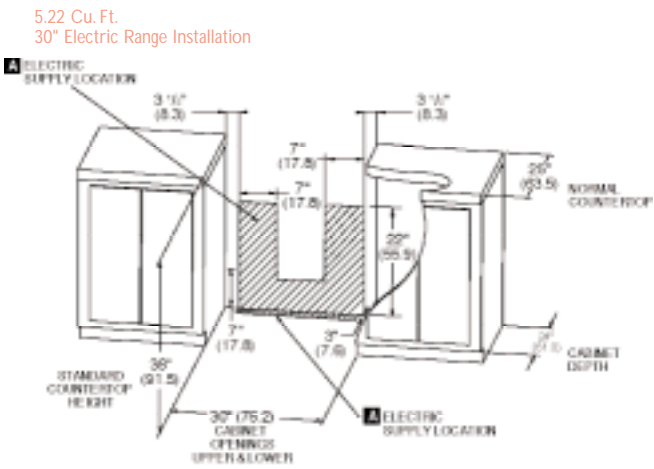
Amana's ongoing commitment to quality products may mean a change in product specifications without notice.



AMANA® FREESTANDING 5.22 CU. FT. GAS RANGES

MODELS	AGR5715QD	AGR5735QD	AGR5835QD
Style	30" Gas	30" Gas	30" Gas
<b>Colors</b>			
White	•	•	•
Bisque	•	•	•
Black		•	•
Stainless Steel	•	•	•
<b>Interior Features</b>			
Overall Capacity — cu. ft.	5.22	5.22	5.22
Self-Cleaning Oven With Adjustable Cleaning Levels	•	•	•
Temp-Assure™ Preheat	•	•	•
Easy-Use Convection With Auto Conversion			•
Hidden Bake Burner	•	•	•
Interior Oven Light	Manual	Manual	Automatic
Oven Rack Positions	8	8	8
Standard Oven Racks	2	1	2
EasyRack™ Oven Rack (UXA5900AQX)		•	•
Hi/Lo Broil	•	•	•
Porcelain Broiler Pan	•	•	•
Storage Drawer	•	•	•
<b>Exterior Features</b>			
Smooth-Gloss Backguard	•	•	•
Removable Gloss Knobs	•	•	•
SpillSaver™ Upswept Cooktop Design	•	•	•
Heavy-Duty, High-Gloss, Cast-Iron Burner Grates	Four-Piece	Two-Piece	Two-Piece
Trivet Grate		•	•
Sealed Surface Burners With Lift-Off Burner Caps	•	•	•
LP Convertible/Kit Included	74009070	74009070	74009070
<b>Controls</b>			
Easy Touch Oven Controls	500	700	800
Electronic Clock With Timer	•	•	•
Temperature Display		•	•
Cook & Hold Setting	•	•	•
Favorite Setting		•	•
Keep Warm Setting	•	•	•
Delay Setting	•	•	•
12-Hour Auto Shutoff	•	•	•
Control Lockout	•	•	•
Sabbath Mode	•	•	•
<b>Cooktop BTUs</b>			
Number Of Burners	4	4	4
16,000-/14,000-BTU Burner		RF	RF
12,000-/11,000-BTU Burner	RF		
9,200-/9,100-BTU Burners	LF, RR	LF, RR	LF, RR
5,000-/4,000-BTU Burner	LR	LR	LR
<b>Exterior Dimensions — in. (cm)</b>			
Overall Height	47½ (120.3)	47½ (120.3)	47½ (120.3)
Overall Width	29½ (75.9)	29½ (75.9)	29½ (75.9)
Depth Excluding Handle	26½ (67.6)	26½ (67.6)	26½ (67.6)
Depth Including Handle	29 (73.7)	29 (73.7)	29 (73.7)
Height To Cooktop	36 (91.4)	36 (91.4)	36 (91.4)
Approximate Shipping Weight — lbs. (kg)	225 (102.1)	225 (102.1)	225 (102.1)
Total Connected Load — kw @ 120V	10A Or Less	10A Or Less	10A Or Less

INSTALLATION INFORMATION — IN. (CM)



**A Electric Models:** Provide 120/208-, 120/240-volt outlet per applicable cord in this area. Outlet must be flush.

**B Gas Models:** Recommended gas line location (electric ignition models); provide for 120-volt grounded electrical outlet in this area. Outlet must be flush.

Refer to installation instructions packaged with unit or consult your local Amana representative before making any cutouts or final designs.

Amana's ongoing commitment to quality products may mean a change in product specifications without notice.



AMANA® FREESTANDING 5.22 CU. FT. ELECTRIC RANGES

MODELS	AER5515QA	AER5715QA	AER5725QA	AER5735QA	AER5845QA
Style	30" Coil	30" Radiant	30" Radiant	30" Radiant	30" Radiant
<b>Colors</b>					
White	•	•	•	•	•
Frost White*			•	•	•
Bisque	•	•	•	•	•
Natural Bisque*			•	•	•
Black				•	•
Stainless Steel		•		•	•
<b>Interior Features</b>					
Overall Capacity — cu. ft.	5.22	5.22	5.22	5.22	5.22
Self-Cleaning Oven With Adjustable Cleaning Levels	•	•	•	•	•
Temp-Assure™ Preheat	•	•	•	•	•
Easy-Use Convection With Auto Conversion					•
Hidden Bake Element	•	•	•	•	•
Interior Oven Light	Manual	Manual	Manual	Manual	Automatic
Oven Rack Positions	8	8	8	8	8
Standard Oven Racks	2	2	2	1	2
EasyRack™ Oven Rack (UXA5900AQX)				•	•
Hi/Lo Broil	•	•	•	•	•
Porcelain Broiler Pan	•	•	•	•	•
Warming Drawer (550-Watt)					•
Storage Drawer	•	•	•	•	•
<b>Exterior Features</b>					
Smooth-Gloss Backguard	•	•	•	•	•
Removable Gloss Knobs	•	•	•	•	•
Porcelain-Steel Cooking Surface	•				
Glass-Ceramic Cooking Surface		•	•	•	•
SpillSaver™ Upswept Cooktop Design	•	•	•	•	•
Porcelain-Enamel Drip Bowls	•				
Removable Coil Elements	•				
<b>Controls</b>					
Easy Touch Oven Controls	500	500	500	700	800
Electronic Clock With Timer	•	•	•	•	•
Cook & Hold Setting	•	•	•	•	•
Favorite Setting				•	•
Keep Warm Setting	•	•	•	•	•
Delay Setting	•	•	•	•	•
12-Hour Auto Shutoff	•	•	•	•	•
Control Lockout	•	•	•	•	•
Sabbath Mode	•	•	•	•	•
Element ON/HOT Indicator Light		•	•	•	•
<b>Cooktop Features</b>					
Number Of Elements	4	4	4	5	5
6", 1,500-Watt Coil Elements	LF, RR				
8", 2,350-Watt Coil Elements	RF, LR				
6", 1,200-Watt Ribbon Radiant Elements		LF, RR	LF, RR	RR, LR	RR, LR
9", 2,500-Watt Ribbon Radiant Elements		RF, LR	LR		
9" / 6", 2,400-/700-Watt Dual Elements			RF	RF, LF	RF, LF
6", 100-Watt Warming Zone™ Element				Center Rear	Center Rear
<b>Exterior Dimensions — in. (cm)</b>					
Overall Height	47½ (120.3)	47½ (120.3)	47½ (120.3)	47½ (120.3)	47½ (120.3)
Overall Width	29½ (75.9)	29½ (75.9)	29½ (75.9)	29½ (75.9)	29½ (75.9)
Depth Excluding Handle	26½ (67.6)	26½ (67.6)	26½ (67.6)	26½ (67.6)	26½ (67.6)
Depth Including Handle	29 (73.7)	29 (73.7)	29 (73.7)	29 (73.7)	29 (73.7)
Height To Cooktop	36 (91.4)	36 (91.4)	36 (91.4)	36 (91.4)	36 (91.4)
Approximate Shipping Weight — lbs. (kg)	205 (93.0)	215 (97.5)	215 (97.5)	220 (100.0)	225 (102.1)
Total Connected Load — kw @ 240V/208V	11.0/8.3	11.0/8.3	11.0/8.3	11.0/8.3	12.4/9.5

\*Frost White (F) and Natural Bisque (N) models feature true-color cooktop surfaces.





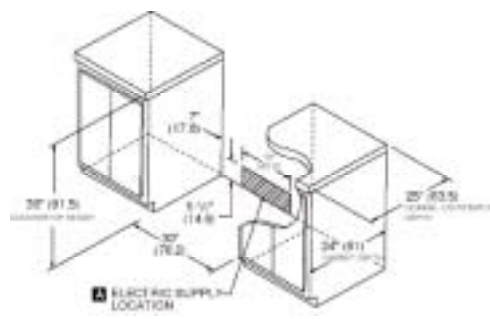
AMANA® FREESTANDING 4.0 CU. FT. RANGES

MODELS	GAS			ELECTRIC		
	AGR4400AD	AGR4412AD	AGR5712AD	AER4311AA	AER5511AA	AER5712AA
Style	30" Gas	30" Gas	30" Gas	30" Coil	30" Coil	30" Radiant
<b>Colors</b>						
White	•	•	•	•	•	•
Bisque		•	•		•	•
Black		•	•		•	
Stainless Steel		•	•			•
<b>Interior Features</b>						
Self-Cleaning Oven			•		•	•
Interior Oven Light		Manual	Manual	Manual	Manual	Manual
Oven Racks	2	2	2	2	2	2
Porcelain Broiler Pan And Grid	•	•	•	•	•	•
Recessed Broiler	•	•		4-Pass	4-Pass	4-Pass
Waist-High Broiler			•			
<b>Exterior Features</b>						
Towel-Bar Door Handle	•	•	•	•	•	•
Porcelain Backguard	•	•	•	•	•	•
Easy Touch Electronic Oven Controls		•	•	•	•	•
Element ON/HOT Indicator Light						•
12-Hour Auto Shutoff		•	•	•	•	•
Control Lockout		•	•		•	•
Glass-Ceramic Cooking Surface						•
One-Piece Burner Grates	•	•	•			
Full-Width Storage Drawer			•	•	•	•
Oven Window		Large*	Large*	•	•	Large*
Self-Cleaning Oven Door Latch			•		•	•
<b>Element Configuration</b>						
6", 1,500-Watt Coil Elements				2	2	
8", 2,350-Watt Coil Elements				2	2	
6", 1,200-Watt Radiant Elements						2
9", 2,500-Watt Radiant Elements						2
<b>Burner BTUs</b>						
Sealed Gas Burners	•	•	•			
12,000-BTU Burner	1	1	1			
9,200-BTU Burners	2	2	2			
7,200-BTU Burner	1	1	1			
<b>Interior Dimensions — in. (cm)</b>						
Height	16½ (41.9)	16½ (41.9)	16½ (41.9)	16½ (41.9)	16½ (41.9)	16½ (41.9)
Width	23 (58.4)	23 (58.4)	23 (58.4)	23 (58.4)	23 (58.4)	23 (58.4)
Depth	18½ (46.0)	18½ (46.0)	18½ (46.0)	18½ (46.0)	18½ (46.0)	18½ (46.0)
<b>Exterior Dimensions — in. (cm)</b>						
Height To Cooktop	36 (91.4)	36 (91.4)	36 (91.4)	36 (91.4)	36 (91.4)	36 (91.4)
Overall Height	46¼ (118.7)	46¼ (118.7)	46¼ (118.7)	46¼ (118.7)	46¼ (118.7)	46¼ (118.7)
Width	29¾ (75.9)	29¾ (75.9)	29¾ (75.9)	29¾ (75.9)	29¾ (75.9)	29¾ (75.9)
Depth Excluding Handle	26¼ (66.0)	26¼ (66.0)	26¼ (66.0)	25 (63.5)	25 (63.5)	25 (63.5)

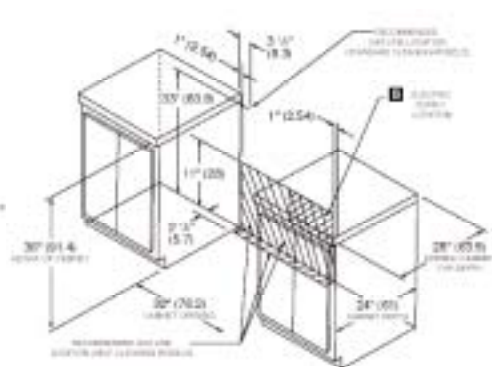
\*Stainless steel model features standard-size oven window.

INSTALLATION INFORMATION — IN. (CM)

4.0 Cu. Ft.  
30" Freestanding Electric Range Installation



4.0 Cu. Ft.  
30" Freestanding Gas Range Installation



**A Electric Models:** Provide 120/208-, 120/240-volt outlet per applicable cord in this area. Outlet must be flush.

**B Gas Models:** Provide for 120-volt grounded electrical outlet in this area. Outlet must be flush. Area is 13" W x 9" H (33 cm W x 22.9 cm H) located 9 3/8" (23.8 cm) above floor, and 1 1/2" (3.8 cm) from right wall.

Refer to installation instructions packaged with unit or consult your local Amana representative before making any cutouts or final designs.

Amana's ongoing commitment to quality products may mean a change in product specifications without notice.



AMANA® SLIDE-IN RANGES

MODELS	ELECTRIC			GAS	
	ACS4250A	ACS7270A	ARDS802*	ACS3350A	AGDS902*
Style	Smoothtop	Smoothtop/Convection	Electric Downdraft	Gas	Gas Downdraft
<b>Colors</b>					
White			•	•	•
True White	•	•			
True Bisque	•				
Black			•	•	•
True Black	•	•			
Stainless Steel			•	•	•
<b>Interior Features</b>					
Self-Cleaning Oven	•	•	•	•	•
Hidden Bake Element			•		
Interior Oven Light	•	•	•	•	•
Oven Racks	2	3	2	2	2
Porcelain Broiler Pan And Grid	•	•	•	•	•
Insta-Broil™ Element/Burner	•	•		•	•
Convection With Third Element		•			
<b>Exterior Features</b>					
Glass-Ceramic Cooking Surface	True-Color	True-Color			
Full-Coverage Grates				•	
Removable Counterbalanced Glass Oven Door	•	•	•	•	•
Full-Width Storage Drawer	•	•	•	•	•
Touchmatic™ Electronic Oven Control	•	•	•	•	•
Oven Window	XL	XL	XXL	XXL	XXL
<b>Electric Element Wattage/ Gas Burner BTUs (Nat./LP)</b>					
6", 1,200-Watt Radiant Element	1	1			
7", 1,500-Watt Radiant Element	1	1			
8", 2,000-Watt Radiant Element	1	1			
9"/6", 2,500-/1,000-Watt Dual Radiant Element	1	1			
Small Burner				5,000/4,000 (LF)	
Medium Burner				9,100/8,000 (RR)	
Large Burners				(2) 12,500/10,000 (LR, RF)	
<b>Cartridges</b> (See Options To The Right)					
<b>Oven Wattage/BTUs (Nat./LP)</b>					
Bake	2,500	2,500	2,500	15,500/15,500	15,500
Insta-Broil™ Element/Burner	3,000	3,000	3,000	14,000/13,000	13,500
Convection With Third Element		2,200			
<b>Interior Dimensions — in. (cm)</b>					
Overall Capacity — cu. ft.	3.7	3.4	3.7	3.7	3.7
Height	16 (40.6)	16 (40.6)	16 (40.6)	16 (40.6)	16 (40.6)
Width	23 (58.4)	23 (58.4)	23 (58.4)	23 (58.4)	23 (58.4)
Depth	17½ (44.5)	16 (40.6)	17 (43.0)	17½ (44.5)	17 (43.0)
<b>Exterior Dimensions — in. (cm)</b>					
Overall Height	36 (91.4)	36 (91.4)	36 (91.4)	36 (91.4)	36 (91.4)
Height With Vent					37¼ (95.6)
Width Excluding Overlapping Trim	30 (76.2)	30 (76.2)	30 (76.2)	30 (76.2)	30 (76.2)
Depth — Oven Door Closed, With Handle	28¾ (73.0)	28¾ (73.0)	28¾ (72.4)	28¾ (73.0)	28¾ (73.0)

\*Limited model availability.

For installation information, see page 54.

Amana's ongoing commitment to quality products may mean a change in product specifications without notice.



**SEALED GAS BURNERS — BTUS**  
ACS200 GAS  
9,700/7,600 Right Side (Nat./LP)  
12,500/9,700 Left Side (Nat./LP)  
(SHIPPED WITH AGDS902)  
Requires second cartridge.



**GRILL — BTUS/WATTAGE**  
ACL200 GAS  
17,300 (Natural Gas)  
ACL100 ELECTRIC  
2,000  
(SHIPPED WITH ARDS802)  
Requires second cartridge.



**GRIDDLE OPTION — BTUS/WATTAGE**  
ACG200 GAS  
17,300 (Natural Gas)  
ACG100 ELECTRIC  
2,000



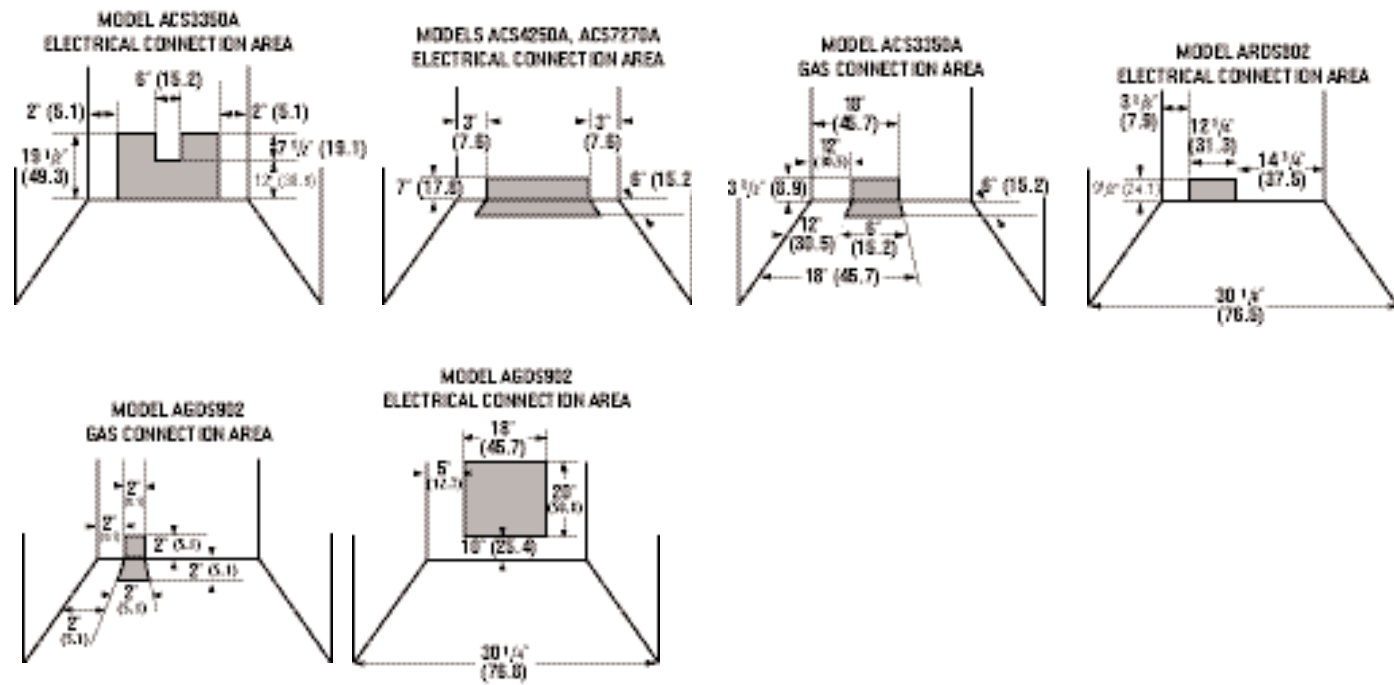
**COIL OPTION — WATTAGE**  
ACR100 ELECTRIC  
1,500 Front/  
2,100 Rear



**RADIANT OPTION — WATTAGE**  
ACT101 ELECTRIC  
2,000 Front/  
1,200 Rear

**QUARTZ HALOGEN/RIBBON RADIANT OPTION**  
ACT101 ELECTRIC  
(Not Pictured)

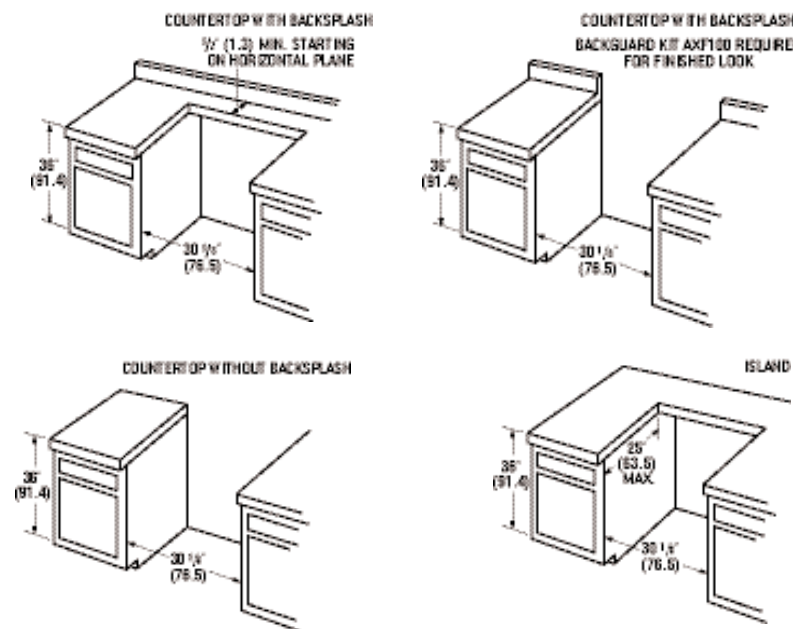
**INSTALLATION INFORMATION — IN. (CM)**



Standard Counter Height 36" (91.4)  
 Depth 25" (63.5)  
 Cabinet Depth 24" (61.0)

Consult installation instructions for vent cutout dimensions.

Refer to installation instructions packaged with unit or consult your local Amana representative before making any cutouts or final designs.



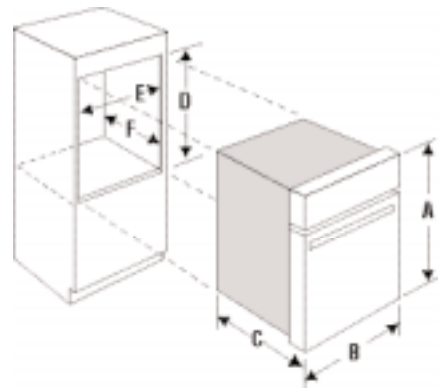
**AMANA® ELECTRIC WALL OVENS**

MODELS	AEW3530DD	AEW4530DD	AEW3630DD	AEW4630DD
Style	30" Single Electric	30" Single Electric Convection	30" Double Electric	30" Double Electric Convection
<b>Colors</b>				
White	•	•	•	•
Bisque		•		•
Black	•	•	•	•
Stainless Steel	•	•	•	•
<b>Oven Capacity — cu. ft.</b>				
Upper	3.8	3.8	3.8	3.8
Lower			3.8	3.8
<b>Oven Features</b>				
Temp-Assure™ Preheat	•	•	•	•
Easy-Use Convection With Auto Conversion		•		Upper
Adjustable Self-Cleaning Oven With Auto Door Lock	•	•	Upper/Lower	Upper/Lower
Six-Pass Broiler	•	•	•	•
Automatic Oven Light	•	•	•	•
Large Viewing Window	•	•	•	•
Porcelain Broiler Pan	•	•	•	•
Rack Positions	4	4	4	4
Oven Racks — Upper	2	3	2	3
Oven Racks — Lower			2	2
<b>Control Features</b>				
Easy Touch Controls	•	•	•	•
Electronic Clock With Timer	•	•	•	•
Favorite Setting	•	•	•	•
Cook & Hold Setting	•	•	Upper Only	Upper Only
Delay-Clean Option	•	•	•	•
Sabbath Mode	•	•	•	•
Control Lockout	•	•	•	•
<b>Oven Wattage @ 240V</b>				
Easy-Use Convection		1,850		1,850
Bake	2,800	2,800	2,800	2,800
Six-Pass Broiler	3,600	3,600	3,600	3,600
<b>Oven Interior Dimensions — in. (cm)</b>				
Height	15 (38.1)	15 (38.1)	15 (38.1)	15 (38.1)
Width	23½ (59.7)	23½ (59.7)	23½ (59.7)	23½ (59.7)
Depth	18½ (47)	18½ (47)	18½ (47)	18½ (47)
<b>Dimensions — in. (cm)</b>				
Size	30 (76.2)	30 (76.2)	30 (76.2)	30 (76.2)
A — Overall Height	28¾ (71.8)	28¾ (71.8)	50¼ (127.6)	50¼ (127.6)
B — Overall Width	29¾ (75.6)	29¾ (75.6)	29¾ (75.6)	29¾ (75.6)
C — Overall Depth	24¼ (62.1)	24¼ (62.1)	24¼ (62.1)	24¼ (62.1)
D — Cutout Height	27¼ (70.8)	27¼ (70.8)	50 (127.0)	50 (127.0)
E — Cutout Width	28¾ (72.4)	28¾ (72.4)	28¾ (72.4)	28¾ (72.4)
F — Cutout Depth	24 (61.0)	24 (61.0)	24 (61.0)	24 (61.0)
Under-Counter/Cooktop Installation	•	•	•	•
Total Connected Load — kw @ 240V/208V	3.6/2.7	3.6/2.7	7.2/5.4	7.2/5.4
Approximate Shipping Weight — lbs. (kg)	140 (63)	140 (63)	235 (106)	235 (106)

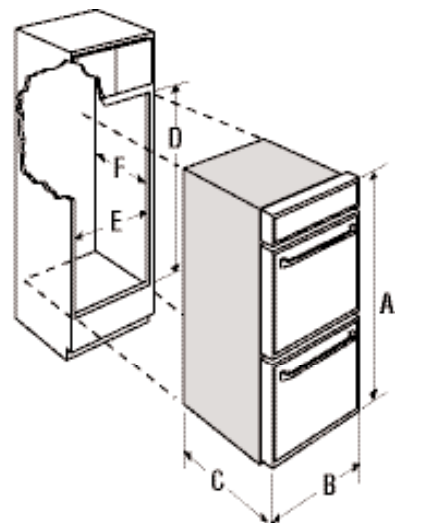
**INSTALLATION INFORMATION**

Typical clearance from floor when installing in wall is 35" (89 cm). For single wall oven under-counter installation with a cooktop, refer to cooktop installation instructions. Distance from countertop to bottom of cutout must be 31¼" (80.7 cm). Stacked installation [3" (7.6 cm) min. between cutouts] and side-by-side installation [1¾" (4.5 cm) min. between cutouts] is also possible.

Single Wall Oven



Double Wall Oven



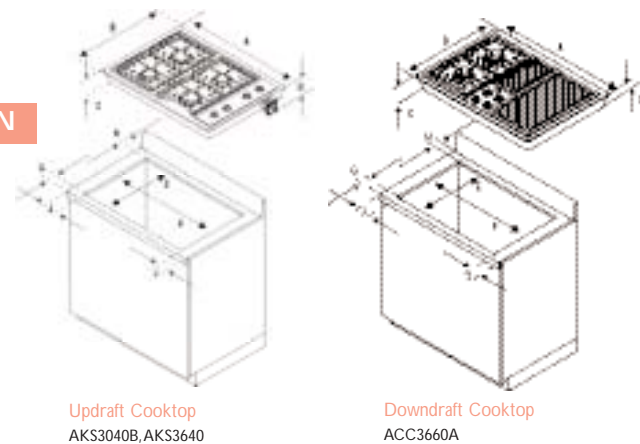


## AMANA® GAS COOKTOPS

MODELS	AKS3040B	AKS3640	ACC3660A*
Style	30" Sealed Gas Burner	36" Sealed Gas Burner	30" Gas Downdraft
<b>Colors</b>			
White	•	•	•
Bisque	•	•	•
Black	•	•	•
Stainless Steel	•	•	•
<b>Installation</b>			
Installs Over 30" Amana® Wall Oven	•	•	
Countertop/Island/Peninsula Installation	•	•	•
Right- Or Left-Hand Installation	•		
<b>Features</b>			
Variable-Speed Downdraft Ventilation System			•
Upfront Controls		•	•
ON Indicator Light			•
Removable Gas Cartridges (ACS200)			2
<b>Burners</b>			
Sealed Burners With Spark Ignition	4	5	4
Removable Burner Caps	•	•	•
One-Piece Cast-Iron Burner Grates	2	3	2
<b>Grate Color</b>			
White Model	Gray Gloss	Gray Gloss	Gray Gloss
Bisque Model	Taupe Gloss	Taupe Gloss	
Black Model	Black Matte	Black Matte	Black Matte
Stainless Steel Model	Black Matte	Black Matte	Black Matte
<b>Burner BTUs (Nat./LP)</b>			
Left Front	9,200/9,100	9,200/9,100	12,500
Right Front	12,500/10,500	12,500/10,500	9,700
Left Rear	5,000/4,000	10,500/9,100	9,700
Right Rear	9,200/9,100	9,200/9,100	7,600
Center		9,200/9,100	
650-BTU Simmer Setting	• (LR)		
<b>Product Exterior Dimensions — in. (cm)</b>			
A — Width	29½ (74.9)	36 (91.4)	29½ (74.9)
B — Depth	21½ (54.6)	21 (53.3)	21½ (54.6)
C — Top Of Cooktop To Bottom Of Burner Box	5⅞ (13.0)	5⅞ (13.7)	4 (10.2)
<b>Cutout Dimensions — in. (cm)</b>			
D — Top Of Counter To Bottom Of Regulator	7¼ (18.4)	7¼ (18.4)	7⅞ (20.0)
Overall Height Of Burner Box	3⅞ (9.7)	3⅞ (9.7)	4 (10.2)
E — Cutout Depth	19⅞ (50.6)	19⅞ (50.6)	20⅞ (52.4)
F — Cutout Width	28½ (72.4)	34½ (87.6)	28⅞ (73.3)
G — Front Countertop Clearance	2⅞ (5.4) min.	2⅞ (5.4) min.	1⅞ (4.8) min.
H — Back Countertop Clearance	1 (2.5) min.	1 (2.5) min.	2⅞ (6.4) min.
J — Side Clearance (Each Side)	6 (15.2) min.	6 (15.2) min.	3⅞ (8.1) min.
<b>Cartridge BTUs (Natural Gas Only)**</b>			
Exclusive Smoke-Control Grill (ACL200) (Right Side Only)			17,300
Griddle Accessory (ACG200)†			

\*Limited model availability.  
 \*\*Gas downdraft with natural gas only.  
 †Requires grill cartridge.

## INSTALLATION INFORMATION

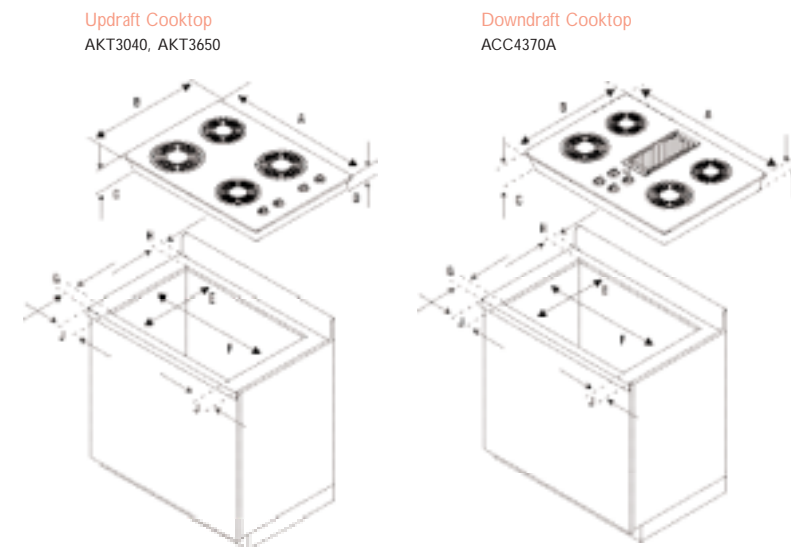


## AMANA® ELECTRIC COOKTOPS

MODELS	AKT3040	AKT3650	ACC4370A*
Style	30" Electric Radiant Smoothtop	36" Electric Radiant Smoothtop	30" Electric Downdraft
<b>Colors</b>			
Frost White	•	•	•
True Black	•	•	•
Black With Stainless Steel Trim	•	•	
<b>Installation</b>			
Installs Over 30" Amana® Wall Oven	•	•	
Countertop/Island/Peninsula Installation	•	•	•
Right- Or Left-Hand Installation	•	•	
<b>Cooktop Surface</b>			
	Glass-Ceramic	Glass-Ceramic	Glass-Ceramic
<b>Controls</b>			
Power ON Indicator Lights	2	2	
Hot-Surface Indicator Lights	4	5	4
Upfront Controls			•
<b>Element Wattage @ 240V</b>			
6" Ribbon Radiant	1,200 (LR)	1,200 (LR)	1,200 (RR)
7" Ribbon Radiant	1,500 (RF)	1,500 (RF)	1,500 (LF)
8" Ribbon Radiant	2,000 (RR)	2,000 (RR)	
8" 5" Ribbon Radiant			2,200/750 (RF, LR)
9" 6" Dual Ribbon Radiant	2,500/1,000 (LF)	2,500/1,000 (LF)	
Warming Zone		100 (C)	
<b>Product Exterior Dimensions — in. (cm)</b>			
A — Width	29⅞ (75.1)	35⅞ (90.8)	29⅞ (74.6)
B — Depth	21½ (54.6)	21½ (54.6)	21⅞ (53.5)
C — Total Product Depth	3⅞ (7.9)	3⅞ (7.9)	7⅞ (20.0)
<b>Cutout Dimensions — in. (cm)</b>			
Overall Height Of Burner Box	2⅞ (7.3)	2⅞ (7.3)	4 (10.2)
D — Clearance Below Countertop	4⅞ (11.4)	4⅞ (11.4)	7⅞ (20.0)
E — Cutout Depth	20⅞ (52.7)	20⅞ (52.7)	20⅞ (52.4)
F — Cutout Width	28⅞ (73.3)	34⅞ (86.7)	28⅞ (73.3)
G — Front Countertop Clearance	2⅞ (6.4) min.	2⅞ (6.4) min.	2⅞ (6.4) min.
H — Back Countertop Clearance	½ (1.3) min.	½ (1.3) min.	½ (1.3) min.
J — Side Clearance (Each Side)	½ (1.3) min.	½ (1.3) min.	½ (1.3) min.
Total Connected Load — kw @ 240V/208V	7.2/5.4	7.3/5.5	7.3/5.5

\*Limited model availability.

## INSTALLATION INFORMATION



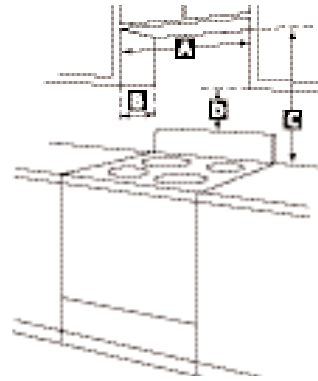
Allow 30" between cooking surface and unprotected wood or metal cabinet above cooktop; 24" between cooking surface and protected wood or metal cabinet above cooktop. Cabinet bottom must be protected by at least ¼" thick millboard with not less than No. 28 MSG sheet steel, .015" thick stainless steel, .024" thick.

Refer to installation instructions packaged with unit or consult your local Amana representative before making any cutouts or final designs.

## AMANA® RADARANGE® OVER-THE-RANGE MICROWAVE OVENS

MODELS	AMV1162AA	AMV5164AA/AAS	AMV4204AA	AMV5206AA	AMV6177AA
<b>Colors</b>					
White	•	•	•	•	•
Bisque	•	•	•	•	•
Black	•	•	•	•	•
Stainless Steel	•	•	•	•	•
<b>Features</b>					
Capacity — cu. ft.	1.5	1.6	2.0	2.0	1.7
Wattage	1,000	1,000	1,150	1,150	950
Turntable	•	•	•	•	•
Turntable On/Off	•	•	•	•	•
Wire Racks	•	1	1	1	2
Word-Prompt Display	4-Digit LED	Scrolling 7-Digit	Scrolling 2-Line	Scrolling 2-Line	Scrolling 2-Line
Digital Clock	12-Hour	12-Hour	12-Hour	12-Hour	12-Hour
Kitchen Timer	•	•	•	•	•
Light Timer Delay Option	•	•	•	•	•
Interior Oven Light	•	•	•	•	Halogen
Surface Lights	Hi/Low/Off	Hi/Low/Off	Hi/Low/Off	Halogen	Halogen
Control Lockout	•	•	•	•	•
Cooking Complete Reminder	•	•	•	•	•
Control Setup	•	•	•	•	•
Touchmatic® Control System	•	•	•	•	•
10 Power Levels	•	•	•	•	•
Program Cooking Stages	3	4	4	4	3
Custom Program	•	•	•	•	•
More/Less Adjust	•	•	•	•	•
Warm/Hold	•	•	•	•	•
Convection Cook — Variable Temperatures	•	•	•	•	•
Combination Speed Cook	•	•	•	•	Auto
Soften	•	•	•	•	•
Melt	•	•	•	•	•
Auto Defrost	•	•	•	•	•
Time Defrost	•	•	•	•	•
Rapid Defrost (1 Lb.)	•	•	•	•	•
Charcoal Odor Filter	•	•	•	•	•
Vent Fan	2-Speed	2-Speed	2-Speed	5-Speed	5-Speed
Exhaust (Max.)	220 CFM	220 CFM	220 CFM	300 CFM	220 CFM
<b>Programmed Pads</b>					
Popcorn	•	Sensor	•	Sensor	•
Baked Potato	•	Sensor	•	Sensor	Sensor
Pizza Slice	•	Sensor	•	•	•
Frozen Entrée	•	•	•	Sensor	•
Beverage	•	•	•	•	•
Vegetable	•	Sensor	•	Sensor	Sensor
Auto Reheat	4 Options	•	5 Options	•	•
Auto Cook	4 Options	•	8 Options	•	6 Options
Sensor Cook	•	3 Options	•	7 Options	6 Options
Sensor Reheat	•	3 Options	•	4 Options	4 Options
<b>Product Exterior Dimensions — in. (cm)</b>					
Height	16 <sup>1</sup> / <sub>8</sub> (41.8)	16 <sup>1</sup> / <sub>8</sub> (41.8)	16 <sup>1</sup> / <sub>8</sub> (41.8)	16 <sup>1</sup> / <sub>8</sub> (41.8)	16 <sup>1</sup> / <sub>8</sub> (41.8)
Width	29 <sup>7</sup> / <sub>8</sub> (75.9)/29 <sup>3</sup> / <sub>8</sub> (76.0)	29 <sup>3</sup> / <sub>8</sub> (74.5)	29 <sup>3</sup> / <sub>8</sub> (74.5)	29 <sup>3</sup> / <sub>8</sub> (74.5)	29 <sup>3</sup> / <sub>8</sub> (74.5)
Depth — Oven Door Closed With Handle	15 <sup>1</sup> / <sub>2</sub> (38.4)/15 <sup>3</sup> / <sub>8</sub> (39.1)	15 <sup>1</sup> / <sub>2</sub> (39.1)	15 <sup>1</sup> / <sub>2</sub> (39.1)	15 <sup>1</sup> / <sub>2</sub> (39.1)	15 <sup>1</sup> / <sub>2</sub> (39.1)
<b>Cabinet Cutout Dimensions — in. (cm)</b>					
Width	30 (76.2) Min.	30 (76.2) Min.	30 (76.2) Min.	30 (76.2) Min.	30 (76.2) Min.
Top Edge From Cooking Surface	30 (76.2) Min.	30 (76.2) Min.	30 (76.2) Min.	30 (76.2) Min.	30 (76.2) Min.
Opening Depth	13 (33.0)	13 (33.0)	13 (33.0)	13 (33.0)	13 (33.0)
<b>Oven Interior Dimensions — in. (cm)</b>					
Height — Turntable In Place, If Applicable	8 <sup>7</sup> / <sub>8</sub> (22.5)/8 <sup>3</sup> / <sub>8</sub> (22.4)	8 <sup>3</sup> / <sub>8</sub> (22.4)	10 <sup>1</sup> / <sub>4</sub> (26.0)	10 <sup>1</sup> / <sub>4</sub> (26.0)	9 <sup>1</sup> / <sub>2</sub> (23.9)
Width	21 <sup>1</sup> / <sub>8</sub> (54.8)/21 <sup>1</sup> / <sub>8</sub> (55.1)	21 <sup>1</sup> / <sub>8</sub> (55.1)	22 <sup>1</sup> / <sub>8</sub> (58.1)	22 <sup>1</sup> / <sub>8</sub> (58.1)	21 <sup>1</sup> / <sub>8</sub> (54.9)
Depth	14 <sup>1</sup> / <sub>2</sub> (35.9)/14 <sup>1</sup> / <sub>8</sub> (36.0)	14 <sup>1</sup> / <sub>8</sub> (36.0)	14 <sup>1</sup> / <sub>2</sub> (36.5)	14 <sup>1</sup> / <sub>2</sub> (36.5)	14 <sup>1</sup> / <sub>2</sub> (36.2)

### INSTALLATION INFORMATION



#### Cutout Dimensions

- A. Opening Width: 30" (76.2 cm) min.
- B. Opening Depth: 13" (33 cm) min.
- C. Counter to Top of Opening: 30" (76.2 cm) min.
- D. Range Backguard to Bottom of Microwave: 2" (5.1 cm) min.

Refer to installation instructions packaged with unit or consult your local Amana representative before making any cutouts or final designs.

### TRIM KIT INFORMATION



Shown: ACM1580AAS With Trim Kit

#### Trim Kits For Built-In ACM2160AA:

Kits: FTK127 W/E/SS in 27", FTK130 W/E/C/SS in 30"

#### Cutout Dimensions — in. (cm):

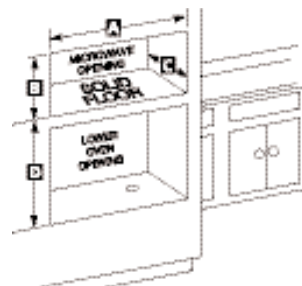
- A. Width 25 1/2 (64.8) 25 1/2 (64.8)
- B. Microwave Height 16 3/4 (42.6) 16 3/4 (42.6)
- C. Depth 23 3/4 (60.3) 23 3/4 (60.3)
- D. Lower Oven Height 30 3/4 (70.8) min. 30 3/4 (70.8) min.

#### Trim Kits For Built-In ACM1580AA:

Kits: AST2780A B/W/C/S in 27", AST3080A B/W/C/S in 30"

#### Cutout Dimensions — in. (cm):

- A. Width 25 1/2 (64.8) 28 1/2 (72.4)
- B. Height 17 1/4 (43.8) 17 1/4 (43.8)
- C. Depth 23 3/4 (60.3) 23 3/4 (60.3)
- D. Lower Oven Height 30 3/4 (70.8) min. 30 3/4 (70.8) min.



## AMANA® RADARANGE® COUNTERTOP MICROWAVE OVENS

MODELS	AMC4080AA	AMC5101AA	AMC5108AA	AMC5143AA	ACM1580AA	ACM2160AA	AMC6138AA
Style	Microwave	Microwave	Three-In-One™ Toaster Microwave	Microwave	Microwave/Convection	Microwave	Microwave/Convection
<b>Colors</b>							
White	•	•	•	•	•	•	•
Bisque	•	•	•	•	•	•	•
Black	•	•	•	•	•	•	•
Stainless Steel	•	•	•	•	•	•	•
<b>Features</b>							
Capacity — cu. ft.	0.8	1.0	1.0	1.4	1.5	2.1	1.3
Wattage	800	1,000	1,000	1,100	1,000	1,100	950
Turntable	•	•	•	•	•	•	•
10 Power Levels	•	•	•	•	•	•	•
Touchmatic® Control System	•	•	•	•	•	•	•
Digital Clock	12-Hour	12-Hour	12-Hour	24-Hour	12-Hour	24-Hour	24-Hour
Sound On/Off	•	•	•	Low/Mid/Hi/Melody/Off	•	•	Low/Mid/Hi/Off
Kitchen Timer	•	•	•	•	•	•	•
Program Cooking Stages	•	•	Multi	Multi	•	3	Multi
More/Less Adjust	•	•	•	•	•	•	•
Easy Cook™™ Pad	•	•	•	•	•	•	•
Broil/Top Brown/Bake	•	•	•	•	•	•	•
Warm	•	•	•	•	•	•	•
Preheat	•	•	•	•	•	•	•
Speed Cook	•	•	•	•	•	•	•
Toaster With Toasting Rack (Adjustable Dial)	•	•	7 Levels	•	•	•	•
Auto Defrost	•	•	•	•	•	•	•
Auto Broil, Roast, Bake	•	•	•	•	•	•	•
Convection/Combination (Roast/Bake)	•	•	•	•	•	•	•
Control Lockout	•	•	•	•	•	•	•
Interior Oven Light	•	•	•	•	•	•	•
Cooking Complete Reminder	•	•	•	•	•	•	•
Under-Cabinet Installation	•	•	•	•	•	•	•
In-Wall Trim Kit	•	•	•	•	UXA0024AX**	AST2780A/ AST3080A	FTK127, FTK130
<b>Programmed Pads</b>							
Popcorn	•	•	•	•	Sensor	Sensor	Sensor
Potato	•	•	•	•	Sensor	•	•
Beverage	•	•	•	•	•	•	•
Pizza	•	•	•	•	Sensor	•	•
Bacon	•	•	•	•	•	•	•
Fresh Vegetable	•	•	•	•	Sensor	Sensor	Sensor
Frozen Vegetable	•	•	•	•	Sensor	Sensor	•
Frozen Breakfast	•	•	•	•	Sensor	•	•
Frozen Dinner	•	•	•	•	Sensor	Sensor	•
Handy Helper	•	3-Option	3-Option	3-Option	•	•	•
Kids' Meals	•	4-Option	4-Option	4-Option	•	•	•
Snack Bar	•	4-Option	4-Option	4-Option	•	•	•
Diet Cook	•	•	•	•	•	•	•
Auto Reheat	•	•	•	•	Sensor	Sensor	•
Easy Clean	•	•	•	•	•	•	•
Lbs./Kg Option	•	•	•	•	•	•	•
<b>Product Exterior Dimensions — in. (cm)</b>							
Height	10 <sup>1</sup> / <sub>8</sub> (27.5)	11 <sup>1</sup> / <sub>8</sub> (29.7)	13 <sup>3</sup> / <sub>4</sub> (35.0)	12 <sup>1</sup> / <sub>8</sub> (31.3)	14 <sup>1</sup> / <sub>8</sub> (37.2)	13 <sup>1</sup> / <sub>8</sub> (34.4)	12 <sup>1</sup> / <sub>8</sub> (32.3)
Width	19 <sup>1</sup> / <sub>4</sub> (48.9)	20 <sup>1</sup> / <sub>2</sub> (51.6)	20 <sup>3</sup> / <sub>4</sub> (52.8)	21 <sup>1</sup> / <sub>8</sub> (55.6)	22 <sup>1</sup> / <sub>8</sub> (56.6)	23 <sup>1</sup> / <sub>8</sub> (60.6)	21 <sup>1</sup> / <sub>8</sub> (55.7)
Depth	13 <sup>3</sup> / <sub>8</sub> (35.2)	14 <sup>1</sup> / <sub>8</sub> (37.9)	19 <sup>1</sup> / <sub>2</sub> (49.6)	17 <sup>1</sup> / <sub>4</sub> (43.9)	20 (50.8)	18 <sup>1</sup> / <sub>8</sub> (47.7)	21 <sup>1</sup> / <sub>8</sub> (54.5)
Stainless Steel Depth	15 <sup>1</sup> / <sub>2</sub> (38.5)	16 <sup>1</sup> / <sub>2</sub> (41.9)	•	18 <sup>1</sup> / <sub>8</sub> (46.5)	•	•	21 <sup>1</sup> / <sub>8</sub> (54.5)
<b>Oven Interior Dimensions — in. (cm)</b>							
Height — Turntable In Place, If Applicable	7 <sup>1</sup> / <sub>8</sub> (20.2)	9 <sup>1</sup> / <sub>8</sub> (23.2)	9 <sup>1</sup> / <sub>8</sub> (23.9)	9 <sup>1</sup> / <sub>8</sub> (24.9)	10 <sup>1</sup> / <sub>8</sub> (27.6)	10 <sup>1</sup> / <sub>8</sub> (27.6)	9 <sup>1</sup> / <sub>8</sub> (23.3)
Width	13 (33.0)	13 <sup>1</sup> / <sub>2</sub> (33.6)	13 <sup>1</sup> / <sub>2</sub> (34.3)	14 <sup>1</sup> / <sub>4</sub> (37.5)	15 <sup>1</sup> / <sub>4</sub> (38.7)	17 <sup>1</sup> / <sub>2</sub> (44.5)	14 <sup>1</sup> / <sub>2</sub> (36.8)
Depth	13 (33.0)	13 <sup>1</sup> / <sub>8</sub> (34.8)	13 <sup>1</sup> / <sub>8</sub> (34.4)	16 <sup>1</sup> / <sub>8</sub> (40.8)	15 <sup>1</sup> / <sub>4</sub> (38.7)	18 <sup>1</sup> / <sub>8</sub> (47.1)	15 <sup>1</sup> / <sub>2</sub> (39.1)

\*Easy Cook™™ Function — Each push adds 30 seconds up to 3 1/2 minutes, then each push adds 1 minute up to 99 minutes.

\*\*Do not install above wall oven.

See page 58 for trim kit information.

AMANA™ KITCHEN HOODS

MODELS	UXT2030A UXT2036A	UXT3030A UXT3036A	UXT4030A UXT4036A	UXT5230AD UXT5236AD	UXT5430AD UXT5436AD
<b>Colors</b>					
White	•	•	•	•	•
Bisque	•	•	•	•	•
Black	•	•	•	•	•
Stainless Steel	•	•	•	•	•
<b>Controls</b>					
Electronic Touch Controls					•
Slide Controls				•	
Delayed Shutoff					•
Speed Settings	2	2	2	3	3
Halogen Lighting					•
Incandescent Lighting				•	
Lighting Levels	1	1	1	2	2
<b>Ventilation</b>					
Filterless Self-Cleaning, Three-Way Convertible Ventilation				•	•
Vertical Ventilation On 7" Round Duct	•				
Vertical Or Horizontal Ventilation On 3 1/4" x 10" Duct		•			
Ductless Ventilation With Charcoal Filter			•	Optional*	Optional*
Rating — CFM	190	160	N.A.	300	400

\*Order HRECUXT30 for 30" models and HRECUXT36 for 36" models. Order replacement carbon filter HCFLTUXT36 for Models UXT5236 and UXT5436 or replacement carbon filter HCFLTUXT30 for Models UXT5230 and UXT5430.

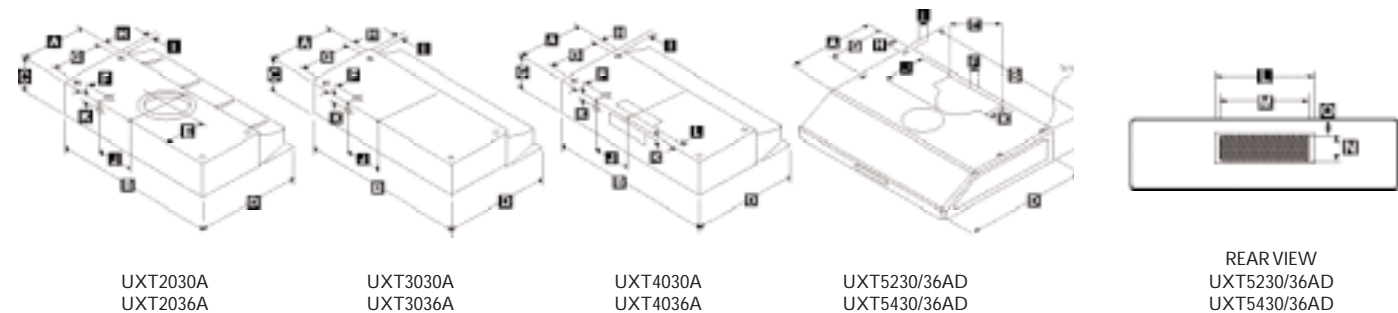
TELESCOPING DOWNDRAFT HOODS

MODELS	HV303	HV363
<b>Colors</b>		
Black	•	•
Optional White Cap	WC303	WC363
<b>Controls</b>		
Electronic Touch Telescoping Operation	•	•
<b>Ventilation</b>		
Washable Grease Filters	2	2
Vertical Or Horizontal Exterior Venting	•	•
Variable-Speed Fan	•	•
Rating — cfm	500	500
Height — in. (cm)	29 1/2 (74.9)	29 1/2 (74.9)
Width — in. (cm)	30 (76.2)	36 (91.4)
Depth — in. (cm)	7 (17.8)	7 (17.8)
Approximate Shipping Weight — lbs. (kg)	53 (24)	58 (26)

Kitchen Hood Dimensions — in. (cm)

MODELS	UXT2030A		UXT2036A	
	UXT3030A UXT4030A	UXT5230AD UXT5430AD	UXT3036A UXT4036A	UXT5236AD UXT5436AD
A	12 (30.5)	15 1/2 (39.7)	12 (30.5)	15 1/2 (39.7)
B — Width	30 (76.2)	30 (76.2)	36 (91.4)	36 (91.4)
C — Height	6 (15.2)	6 (15.2)	6 (15.2)	6 (15.2)
D — Depth	17 1/2 (44.5)	22 1/2 (56.5)	17 1/2 (44.5)	22 1/2 (56.5)
E	5 1/4 (13.3)	10 1/2 (26.7)	5 1/4 (13.3)	10 1/2 (26.7)
F	2 (5.1)	1/2 (2.2)	2 (5.1)	1/2 (2.2)
G	9 (22.9)	10 1/2 (26.0)	9 (22.9)	10 1/2 (26.0)
H	1 1/2 (3.8)	1 1/4 (4.4)	1 1/2 (3.8)	1 1/4 (4.4)
I	1 (2.5)	1 (2.5)	1 (2.5)	1 (2.5)
J	7 1/2 (19.1)	7 1/4 (18.4)	7 1/2 (19.1)	7 1/4 (18.4)
K	3/4 (1.9)	3/4 (8.6)	3/4 (1.9)	3/4 (8.6)
L	1 1/2 (3.8)	1 1/2 (27.9)	1 1/2 (3.8)	1 1/2 (27.9)
M	—	10 (25.4)	—	10 (25.4)
N	—	3 (7.6)	—	3 (7.6)
O	—	1/2 (1.3)	—	1/2 (1.3)
Approximate Shipping Weight — lbs. (kg)	16 (7)	31 (14)	16 (7)	31 (14)

INSTALLATION INFORMATION



Refer to installation instructions packaged with unit or consult your local Amana representative before making any cutouts or final designs.

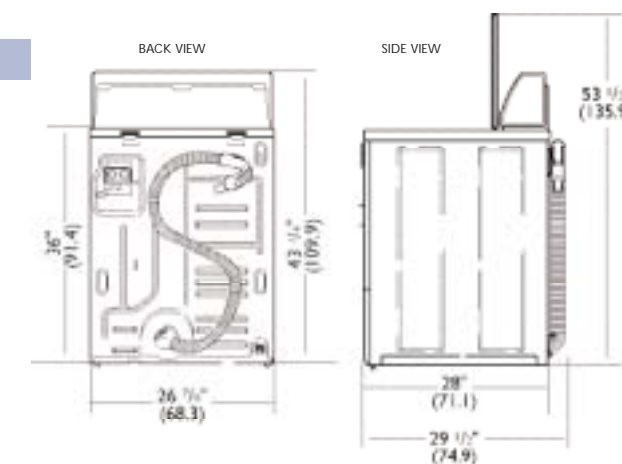
All models listed may not be available from every Amana dealer.

AMANA® WASHERS

MODELS	NAV2330	NAV3330E	NAV5800	NAV6800	NAV8800E
<b>Color</b>					
White	•	•	•	•	•
<b>Features</b>					
Easy-Grip Bidirectional Knobs	•	•	•	•	•
Tub Material	Co-Polymer	Co-Polymer	Elustra™ Stainless Steel	Elustra™ Stainless Steel	Elustra™ Stainless Steel
SteadySpin™ Balance System	•	•	•	•	•
Easy-Access™ Opening	•	•	•	•	•
Motor Speeds	2	2	2	2	3
Spin Speed — Max./Min. RPM	640/425	710/475	710/475	710/475	710/475
Water Levels	4	4	4	Variable	Variable
Tri-Wash System	•	•	•	•	•
Tri-Care™ Agitator	•	•	•	•	•
Extra Rinse	•	•	•	•	•
Quick Faucet	•	•	•	•	•
Bleach Dispenser	•	•	•	•	•
Fabric Softener Dispenser	•	•	•	•	•
End-Of-Cycle Signal				Adjustable	Adjustable
SoftSound™ Quiet Package	1	1	1	II	II
Water Temperature Selections	4	6	4	4	6
Automatic Temperature Control		•			•
Self-Cleaning Lint Filter	•	•	•	•	•
Self-Adjusting Rear Leveling Legs	•	•	•	•	•
Seven-Point Suspension System	•	•	•	•	•
<b>Wash Cycles</b>					
Regular	Heavy/Normal/Light	Heavy/Normal/Light	Heavy/Normal/Light	Heavy/Normal/Light	Heavy/Normal/Light
Regular — Extra Rinse	•	•	•	•	•
No-Iron Fabrics	Normal/Light	Normal/Light	Normal/Light	Normal/Light	Normal/Light
No-Iron Fabrics — Extra Rinse	•	•	•	•	•
Handwash	•	•	•	•	Ultra
Handwash — Extra Rinse	•	•	•	•	•
Quick Wash	•	•	•	•	•
<b>Capacities And Unit Dimensions</b>					
Tub Capacity — cu. ft.	3.2	3.2	3.2	3.2	3.2
Overall Height — in. (cm)	43 1/4 (109.9)	43 1/4 (109.9)	43 1/4 (109.9)	43 1/4 (109.9)	43 1/4 (109.9)
Height Of Cabinet — in. (cm)	36 (91.4)	36 (91.4)	36 (91.4)	36 (91.4)	36 (91.4)
Width — in. (cm)	26 1/2 (68.3)	26 1/2 (68.3)	26 1/2 (68.3)	26 1/2 (68.3)	26 1/2 (68.3)
Depth Including Drain Hose — in. (cm)	29 1/2 (74.9)	29 1/2 (74.9)	29 1/2 (74.9)	29 1/2 (74.9)	29 1/2 (74.9)
Washer Lid Clearance — in. (cm)	17 1/2 (44.5)	17 1/2 (44.5)	17 1/2 (44.5)	17 1/2 (44.5)	17 1/2 (44.5)
Approximate Shipping Weight — lbs. (kg)	193 (87.5)	193 (87.5)	193 (87.5)	193 (87.5)	193 (87.5)
<b>Energy</b>					
Electrical Service Requirements	120 VAC, 60 Hz, 15 Amps Max.	120 VAC, 60 Hz, 15 Amps Max.	120 VAC, 60 Hz, 15 Amps Max.	120 VAC, 60 Hz, 15 Amps Max.	120 VAC, 60 Hz, 15 Amps Max.
Motor Horsepower	1/2	1/2	1/2	1/2	1/2
ENERGY STAR™-Qualified	•	•	•	•	•
2005 Energy-Compliant	•	•	•	•	•

INSTALLATION INFORMATION — IN. (CM)

Amana® Washers	
Power Cord Length	69 (175.3)
Electrical Requirements	120 Volts/15 Amps/60 Hz Three-Prong Grounding Plug
Supply Hose Length	48 (121.9)
Drain Hose Length	54 (137.2)
Drain Hose Diameter	1 1/4 (3.2)
Minimum Drain Receptacle Height	36 (91.4)



**AMANA® ELECTRIC AND GAS DRYERS**

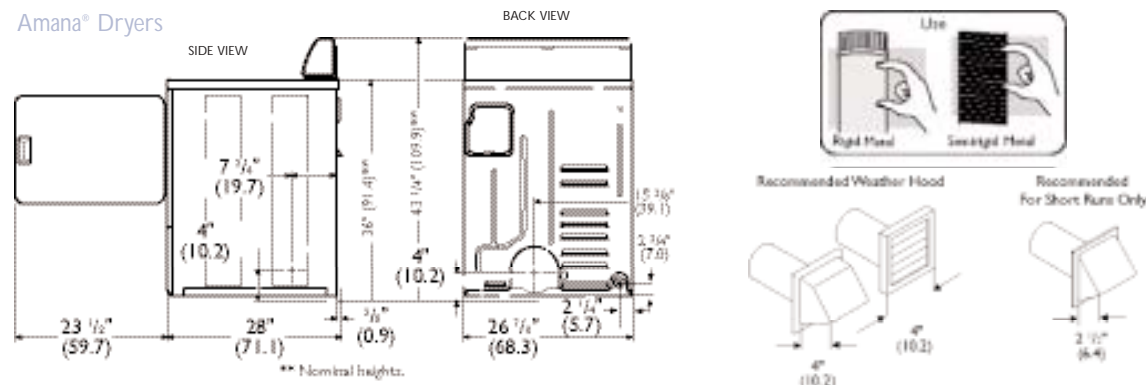
ELECTRIC MODELS	NDE2330	NDE5800	NDE7800
GAS MODELS	NDG2330	NDG5800	NDG7800
<b>Color</b>			
White	•	•	•
<b>Features</b>			
Easy-Grip Bidirectional Knobs	•	•	•
Cylinder Material	TrueCare™ Powder-Coated Steel	TrueCare™ Powder-Coated Steel	Elustra™ Stainless Steel
Easy-Access™ Opening	•	•	•
Temperature Selections	4	4	4
FabriCare™ System	•	•	•
QuikDry™ Feature	220 CFM	220 CFM	220 CFM
Extended Tumble	•	•	•
Drying Rack	•	•	•
Drum Light	•	•	•
End-Of-Cycle Signal	•	Adjustable	Adjustable
SoftSound™ Quiet Package	I	I	II
Four-Point Suspension System	•	•	•
Reversible Door	•	•	•
Extra-Large Door Opening	•	•	•
<b>Dry Cycles</b>			
Cycle Selections	7	8	8
<b>Automatic</b>			
Handwash	More Dry/Less Dry	More Dry/Less Dry	More Dry/Less Dry
No-Iron Fabrics	More Dry/Less Dry	More Dry/Less Dry	More Dry/Less Dry
Wrinkle Out	•	•	•
Time Dry	•	•	•
Air Fluff/No Heat	•	•	•
<b>Optional Accessories — Additional Cost</b>			
Drying Rack	DR3	DR3	Included
Directional Dryer Exhaust Kit	528P3	528P3	528P3
LP Conversion Kit	LPK1	LPK1	LPK1
<b>Capacities And Unit Dimensions</b>			
Drum Capacity — cu. ft.	7.1	7.1	7.1
Overall Height — in. (cm)	43¼ (109.9)	43¼ (109.9)	43¼ (109.9)
Height Of Cabinet — in. (cm)	36 (91.4)	36 (91.4)	36 (91.4)
Width — in. (cm)	26¾ (68.3)	26¾ (68.3)	26¾ (68.3)
Depth* — in. (cm)	28 (71.1)	28 (71.1)	28 (71.1)
Dryer Door Clearance — in. (cm)	23½ (59.7)	23½ (59.7)	23½ (59.7)
Approximate Shipping Weight — lbs. (kg)	145 (65.8)	145 (65.8)	145 (65.8)
<b>Energy</b>			
Electrical Service Requirements — Electric	240 VAC, 60 Hz, 30 Amps Max.	240 VAC, 60 Hz, 30 Amps Max.	240 VAC, 60 Hz, 30 Amps Max.
Electrical Service Requirements — Gas	120 VAC, 60 Hz, 15 Amps Max.	120 VAC, 60 Hz, 15 Amps Max.	120 VAC, 60 Hz, 15 Amps Max.
Heating Element Wattage @ 240V	5,350	5,350	5,350
Gas Consumption (BTU, Nat. Or LP)	22,500	22,500	22,500
Motor Horsepower	½	½	½

\*Does not include clearance for ductwork venting.

**INSTALLATION INFORMATION — IN. (CM)**

For additional installation information, see page 63.

Amana® Dryers

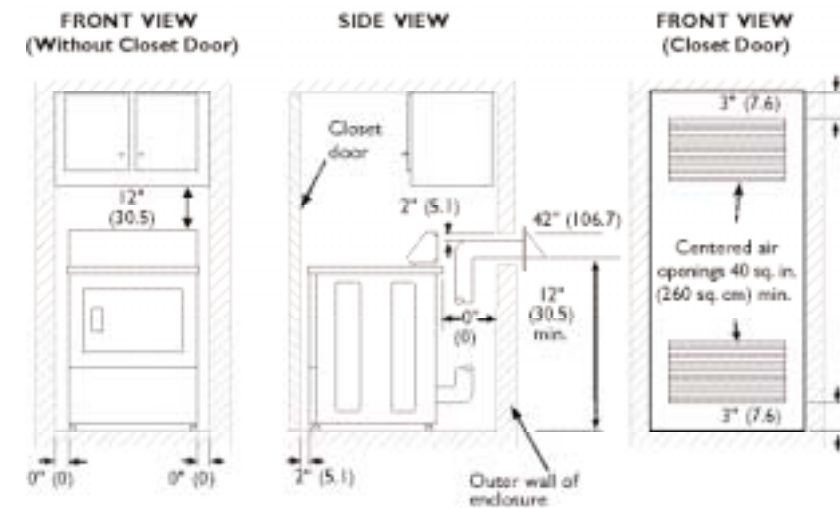

**INSTALLATION INFORMATION — FT. (METERS)**

Amana® Dryers

Number Of 90° Elbows	MAXIMUM RIGID METAL DUCT		MAXIMUM SEMIRIGID METAL DUCT	
	4"-Opening Weather Hood	2 ½"-Opening Weather Hood	4"-Opening Weather Hood	2 ½"-Opening Weather Hood
0	44 (13.3)	34 (10.3)	24 (7.3)	20 (6.1)
1	34 (10.3)	26 (7.9)	20 (6.1)	16 (4.9)
2	26 (7.9)	20 (6.1)	16 (4.9)	12 (3.6)
3	20 (6.1)	14 (4.2)	12 (3.6)	8 (2.4)

NOTE: Deduct 6' (1.8 m) for each additional elbow. Maximum venting distance is 65' (19.7 m).

Closet Installation — in. (cm)



Refer to installation instructions packaged with unit or consult your local Amana representative before making any cutouts or final designs.



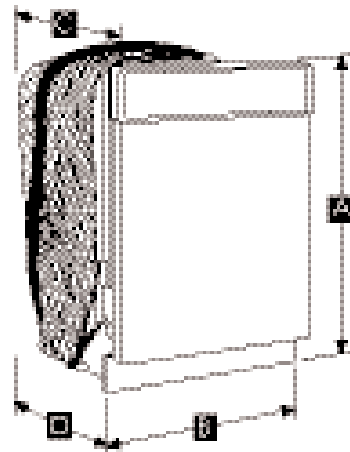
## AMANA® DISHWASHERS

MODELS	DDW361RA	ADB1500AW	ADB2500AW	ADB3500AW
<b>Colors</b>				
White	•	•	•	•
Bisque		•	•	•
Black	•	•	•	•
Stainless Steel	(Kit Optional)	•	•	•
ENERGY STAR®-Qualified		•	•	•
<b>Tub</b>				
Size	Normal	Tall	Tall	Tall
Material	Polypropylene	Polypropylene	Polypropylene	Stainless Steel
<b>Cycle Selections</b>				
Heavy Wash	•	•	•	•
Normal Wash	•	•	•	•
Light Wash	•			
Quick Wash		•	•	•
Rinse Only	•		•	•
<b>Features</b>				
Control Buttons	6			
Touch Pads		5	10	10
Status Indicators	2	9	16	16
<b>Wash System</b>				
Wash Levels/Tiers	3/6	5/7	5/7	5/7
Dual Filter		•	•	•
<b>Options</b>				
Auto/Sensor Clean			•	•
High-Temp Wash	•	•	•	•
Sanitize (NSF-Certified)			•	•
One-Touch Memory Cycles			•	•
Delay Start	2-/4-/6-Hour	2-/4-/6-Hour	2-/4-/6-Hour	2-/4-/6-Hour
Control Lockout			•	•
Rinse-Aid Dispenser	•	•	•	•
Low Rinse-Aid Indicator		•	•	•
Heated Dry		•	•	•
Vent Dry System	Active	Active	Active	Condensate
<b>Rack Options</b>				
Rack Finish	Vinyl	Vinyl	Nylon	Nylon
Ball-Tip Tines	•	•	•	•
<b>Upper Rack</b>				
Deluxe	•		•	•
Cup Shelves			2	2
<b>Lower Rack</b>				
High-Side			•	•
Cup Shelves			2	2
One-Piece Silverware Basket	•			
In-Door Silverware Basket		•	With Covers	With Covers
<b>Sound Options</b>				
SofSound™ Quiet Package	I	I	II	III
<b>Optional Kits*</b>				
Custom Wood Panel Kit	DAX1000AAX*	N/A	N/A	N/A
Stainless Steel Panel Kit	DAX2000AAX*	N/A	N/A	N/A
<b>Unit Dimensions — in. (cm)</b>				
A — Height**	33¼ (85.7)	33½ – 35¼ (85.1 – 89.5)	33½ – 35¼ (85.1 – 89.5)	33½ – 35¼ (85.1 – 89.5)
B — Width	23¾ (60.6)	23¾ (60.6)	23¾ (60.6)	23¾ (60.6)
C — Depth Including Door	27 (68.6)	23¾ (60.6)	23¾ (60.6)	23¾ (60.6)
D — Depth Excluding Door	24 (61)	19½ (49.5)	19½ (49.5)	19½ (49.5)

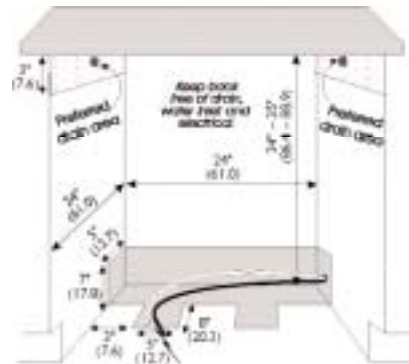
\* To order custom wood or stainless steel panel kits for DDW361A, call toll-free 1-800-843-0304.

\*\*For models ADB1500, ADB2500 and ADB3500, height without top trim strip is 33½ (85.1) min., 35¼ (89.5) max.; height with top trim strip is 33¾ (85.7) min., 35½ (89.5) max.

## INSTALLATION INFORMATION



DDW361, ADB1500, ADB2500, ADB3500



CUTOUT DIMENSIONS — IN. (CM)

Refer to installation instructions packaged with unit or consult your local Amana representative before making any cutouts or final designs.

*Amana's ongoing commitment to quality products may mean a change in product specifications without notice.*