

Concept

The art of ventilation

L U X U R Y

LUXURY STYLING

- integrated stainless steel ventilation panel
- optional stunning glass & stainless light fixture
- artistic design, impeccable fit & finish
- hidden dishwasher-safe grease filters
- Easy Dismounting™ System

HIGH PERFORMANCE TECHNOLOGY

- Comfort-Panel™ perimetric suction system
- 600 cfm internal PRO™ blower model
- 900 cfm remote blower model
- pre-installed Silent Kit™ sound-proofing
- whisper-quiet some range

STATE OF THE ART CONTROLS

- operated by remote control (included)
- or by push-button electronic controls on panel
- 4 pre-set speeds plus Intensive Power Boost
- 24-hour kitchen anti-pollution mode
- 30 minute delayed shut-down mode
- grease filter saturation indicator

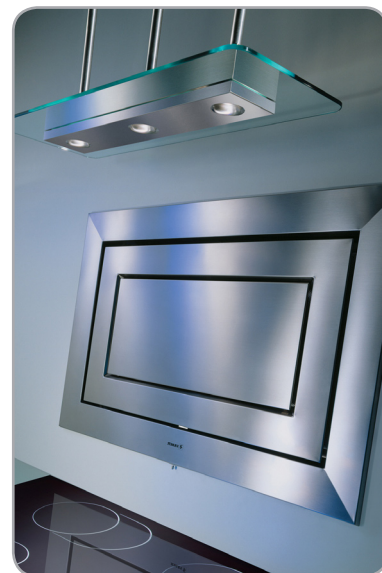
DUCTING OPTIONS

- top or bottom venting (3 1/4 x 10" rectangular)
- direct rear venting (6" round Internal Blower model, 10" round Remote blower model)



 **FABER**

Faber has redefined the rangehood with the new CONCEPT, a patented stainless steel ventilation panel that integrates into the wall behind the cooking surface. An optional highly-styled, halogen light fixture of stainless and glass adds to the dramatic look.

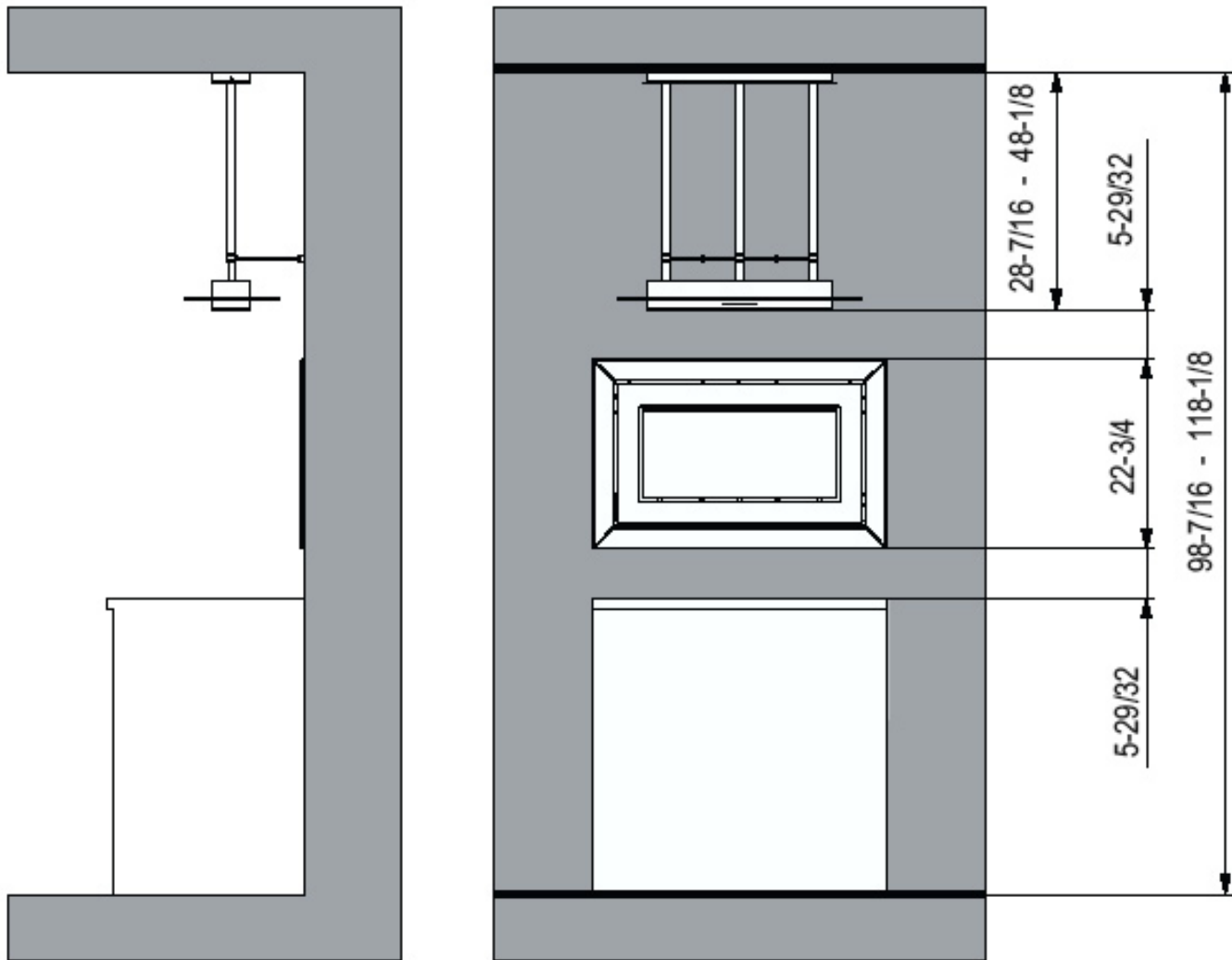


Size/Color/Model

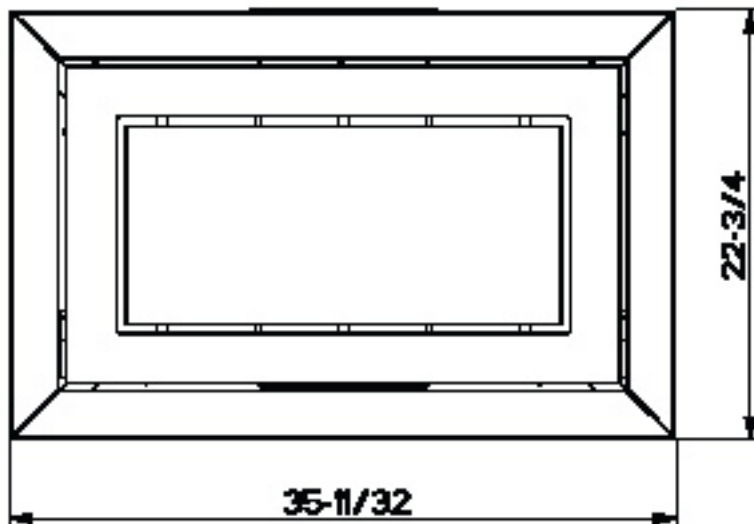
36 Internal Blower Vent Panel Stainless	630003946
36 Remote Blower Vent Panel Stainless	630003843
Light Fixture Glass & Stainless	620000353
900 cfm Remote Blower	630001732

Dimensional Diagrams

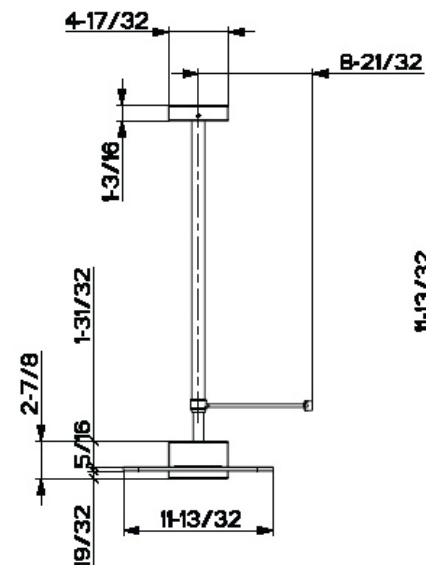
IMPORTANT NOTE: Internal Blower models and Remote Blower models differ. Please consult the installation instructions for more detailed dimensional diagrams.



Ventilation Panel



Light Fixture (side view)



WARNING! Product specifications are subject to change without notification. Consult the installation instructions before you begin installing this rangehood.