

# Mezzano



## WALL-MOUNT CHIMNEY HOOD

With a "minimalist" hood design that's only 2" high, the stainless steel Mezzano is in step with today's world of flat-panel TVs and other futuristic products with clean, architectural lines. Mezzano features include a powerful 600 CFM blower, halogen lighting with 2 light intensities, dishwasher-safe anodized aluminum mesh filters and high-tech multi-function LCD controls that deliver convenience and safety. Designed for standard ducted installation, Mezzano can also be installed as a recirculating system using the Recirculating Kit, available as an accessory.

## FEATURES

### • Advanced Electronic Touch Controls

State-of-the-art electronics deliver maximum user convenience and control. LCD function display with elegant blue illumination combined with low-profile, easy-to-clean touchpads is your interface with a multi-function control system, including...

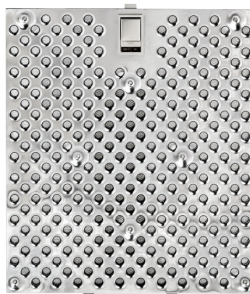
- On/Off control
- Programmable timer and buzzer
- Four blower speeds
- Clock
- **HeatGuard™** automatically adjusts blower speed if heat exceeds 158°F for safety and convenience
- Two light intensities
- Filter Saturation Monitor detects excessive levels within both grease and charcoal filters



### • 600 CFM 4-Speed Internal Blower

### • 2 Halogen Lamps with two light intensities (12V 20W bulbs included)

### • Dishwasher-Safe Anodized Aluminum Mesh Filters (2 with 30" unit, 3 with 36" unit)

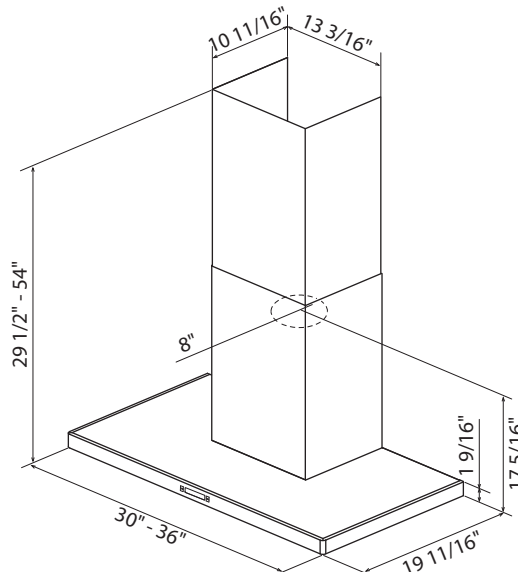


### Elica-Patented Stainless Steel Micro Hole Filter

Available as an optional upgrade  
(see back for accessory details)

- **Telescopic Chimney Extension** – For ceiling heights 7' 5" to 10'
- **8" Round Duct Transition**
- **One-Way No Return Valve** eliminates outside air drafts.

The Elica logo, featuring the word 'elica' in a stylized, lowercase font with horizontal lines extending from the bottom of the letters.



<b>MODEL NUMBER</b>	<b>FINISH</b>	<b>WIDTH</b>	<b>DIMENSIONS DEPTH</b>	<b>HEIGHT</b>	<b>SHIPPING WEIGHT</b>
EMZ630SS	Stainless Steel	30"	19-11/16"	1-9/16"	49 lbs
EMZ636SS	Stainless Steel	36"	19-11/16"	1-9/16"	52 lbs

**HOOD MOUNTING HEIGHT ABOVE COOKING SURFACE**

<b>GAS</b>		<b>ELECTRIC</b>	
<u>minimum</u>	<u>maximum</u>	<u>minimum</u>	<u>maximum</u>
30"	34"	24"	30"

**CHIMNEY HEIGHT** *(based on recommended mounting heights listed above)*

<b>DUCTED</b>		<b>RECIRCULATING</b>	
<u>Gas min./max.</u>	<u>Electric min./max.</u>	<u>Gas min./max.</u>	<u>Electric min./max.</u>
7' 11" - 10'	7' 5" - 9' 8"	8' 3" - 10' 4"	7' 9" - 10'

**BLOWER PERFORMANCE**

<b>SPEED LEVEL</b>	<b>AIRFLOW IN CFM</b> (CUBIC FEET PER MINUTE)	<b>SOUND LEVEL</b> (IN SONES)
1	160	1.4
2	280	3.2
3	475	6.0
4	600	8.2

**MEZZANO ACCESSORIES**

<b>MODEL NUMBER</b>	<b>DESCRIPTION</b>	<b>SHIPPING WEIGHT</b>
EXXRCK05	Recirculating Kit	6.6 lbs
EXXGRK02	CFM Reduction Kit	5.5 lbs
EXXGFKMH	Stainless Steel Micro Hole Filter	5.5 lbs

**UL** **cUL** **us** **ELECTRICAL:**  
AC Input: 120V - 60Hz, AC Power Max.: 490W at 4.1 Amps