

Modena



UNDER-CABINET HOOD

Modena offers a classic designer chimney appearance for under-cabinet installations, with a striking 9" high pyramid shape. Modena also provides high-end features not commonly found in under-cabinet hoods, including halogen lighting with 2 light intensities, dishwasher-safe anodized aluminum mesh filters and easy-to-use multi-function LCD controls. Available in 30" or 36" width, and designed for standard ducted installation, Modena can also be installed as a recirculating system using the Recirculating Kit, available as an accessory. For design versatility to suit almost any kitchen, Modena is available in a choice of stainless steel, white or black finishes.

FEATURES

• **Advanced Electronic Touch Controls**

State-of-the-art electronics deliver maximum user convenience and control. LCD function display with elegant blue illumination combined with low-profile, easy-to-clean touchpads is your interface with a multi-function control system, including...

- On/Off control
- Programmable timer and buzzer
- Four blower speeds
- Clock
- **HeatGuard™** automatically adjusts blower speed if heat exceeds 158°F for safety and convenience
- Two light intensities
- Filter Saturation Monitor detects excessive levels within both grease and charcoal filters



• **520 CFM 4-Speed Internal Blower**

• **2 Halogen Lamps** with two light intensities (120V 50W bulbs included)

• **Dishwasher-Safe Anodized Aluminum Mesh Filters** (2 with 30" unit, 3 with 36" unit)

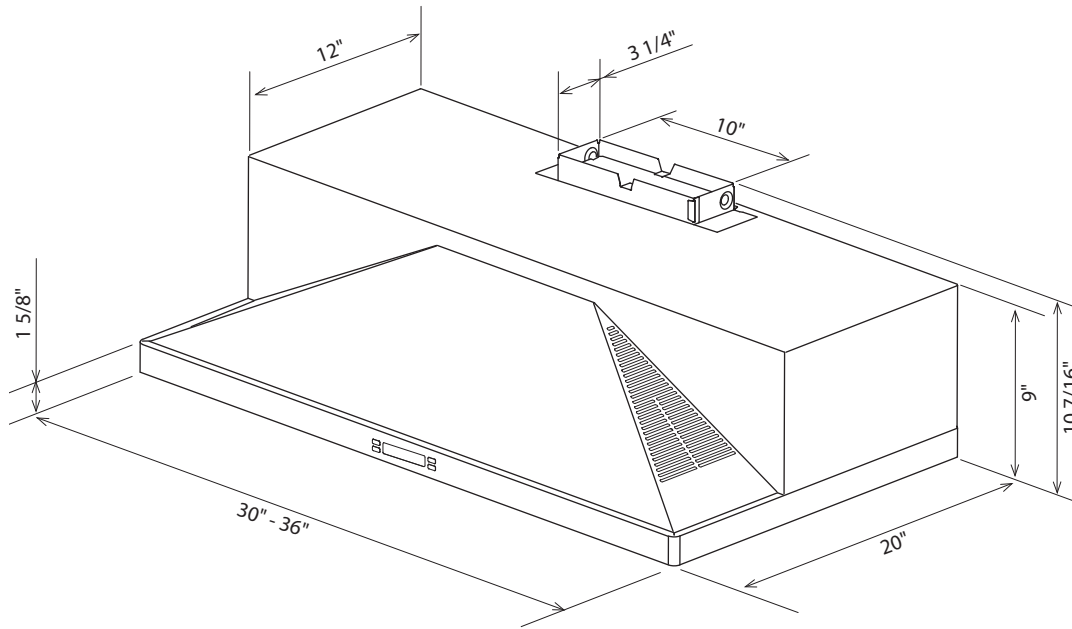


Elica-Patented Stainless Steel Micro Hole Filter

Available as an optional upgrade
(see back for accessory details)

• **10" x 3-1/4" Duct Transition** (Top or Rear)

• **One-Way No Return Valve** eliminates outside air drafts.



MODEL NUMBER	FINISH	DIMENSIONS			SHIPPING WEIGHT
		WIDTH	DEPTH	HEIGHT	
EMD530SS	Stainless Steel	30"	20"	9"	38 lbs
EMD530WT	White	30"	20"	9"	38 lbs
EMD530BL	Black	30"	20"	9"	38 lbs
EMD536SS	Stainless Steel	36"	20"	9"	42 lbs
EMD536WT	White	36"	20"	9"	42 lbs
EMD536BL	Black	36"	20"	9"	42 lbs

BLOWER PERFORMANCE

SPEED LEVEL	AIRFLOW IN CFM (CUBIC FEET PER MINUTE)	SOUND LEVEL (IN SONES)
1	170	1.3
2	280	2.7
3	430	4.9
4	520	7.3

MODENA ACCESSORIES

MODEL NUMBER	DESCRIPTION	SHIPPING WEIGHT
EXXRCK01	Recirculating and CFM Reduction Kit	6.6 lbs
EXXTRK08	Transition Kit – 8" Round (Top)	4.4 lbs
EXXGFKMH	Stainless Steel Micro Hole Filter	5.5 lbs



ELECTRICAL:

AC Input: 120V - 60Hz, AC Power Max.: 550W at 4.6 Amps