

Planning and Design Guide

2002 Vrs 2.0

DISHWASHERS

WASHERS

DRYERS

ACCESSORIES

INSTALLATION



ASKO DISHWASHERS

Dimensions & Technical Data

D1706	2
D1716	3
D1776	4
D1976	5
Changing Standard Front Panels.....	6
D1796FI and D1996FI.....	7
Fitting the D1796FI and D1996FI Custom Door Panel.....	8
D1796FI and D1996FI Custom Panel Installation Options.....	9
D1996HNDL.....	10
D1996SS	11

Optional Accessories.....12

Fully Integrated Fill Strip Installations.....13

This planning guide provides unit dimensions, cutout dimensions, and utility locations only. For more details, refer to the installation instructions that are supplied with the unit.

ASKO LAUNDRY

Washers: Dimensions & Technical Data

W6021	15
W6441	16
W6661	17

Dryers: Dimensions & Technical Data

T701	18
T721	19
T731	20
T761	21
T781	22

Stacked Pair Installations

W6021/W6441 and T701	23
W6021/W6441 and T721	24
W6441 and T731	25
W6661 and T761	26
W6661 and T781	27

Cabinet/Closet Installations

Stacked Installations	28
Single Unit Installations.....	29
Side-by-side Installations.....	30

Optional Accessories.....31

ASKO WASHER

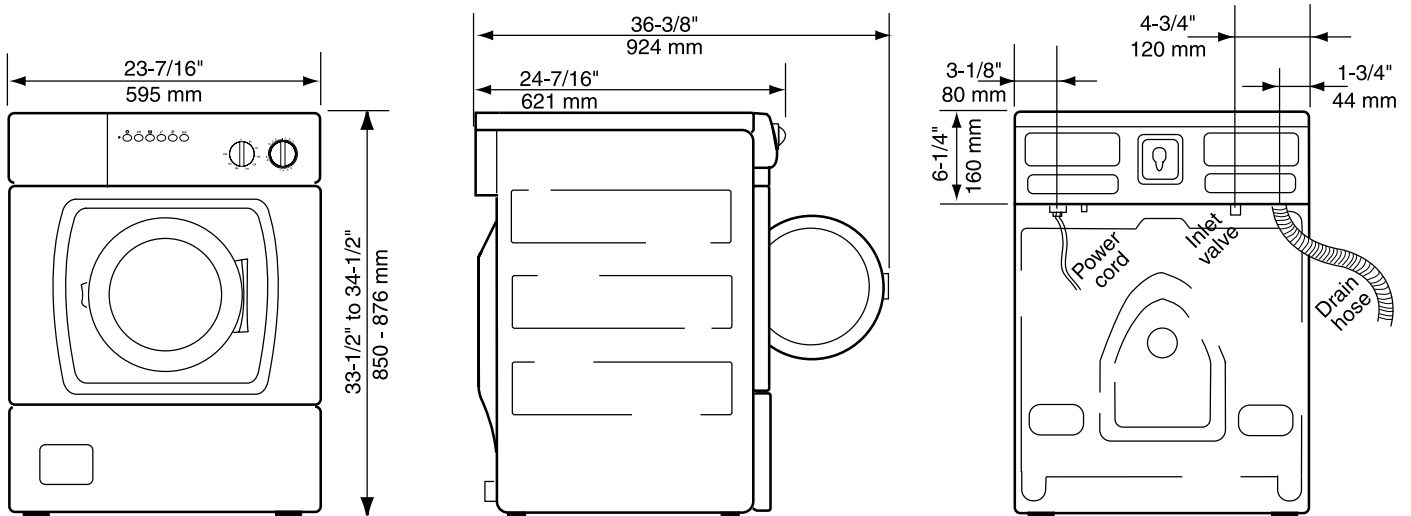
MODEL W6021

UNIT DIMENSIONS

	US	Metric
Height	33-1/2"-34-1/2"	850-876 mm
Width	23-7/16"	595 mm
Depth	24-7/16"	621 mm
Weight	167 lb	73 kg

TECHNICAL DATA

Supply voltage	Single-phase 230 V, 60 Hz
Water Pressure	15-146 psi
Heating element	2000 W
Internal Fuse	15 A
Power cord (attached)	220 V, 20 Amp



Every ASKO washer is delivered ready-fitted with a plug and is intended for connection to an ASKO dryer, which is equipped with a matching receptacle. If the washer is used separately or with another dryer, it must be on a separate 220 V, 20 Amp single-phase circuit.

Second-floor (above grade) installations must meet all local building codes.

When placing the washer next to a wall or cabinet, be sure to leave 1/2" (12 mm) of space between the washer and the wall or cabinet.

See pages 23–25 for stacked washer/dryer dimensions.

See pages 28–30 for cutout dimensions for closet and under-cabinet installations.

ASKO WASHER

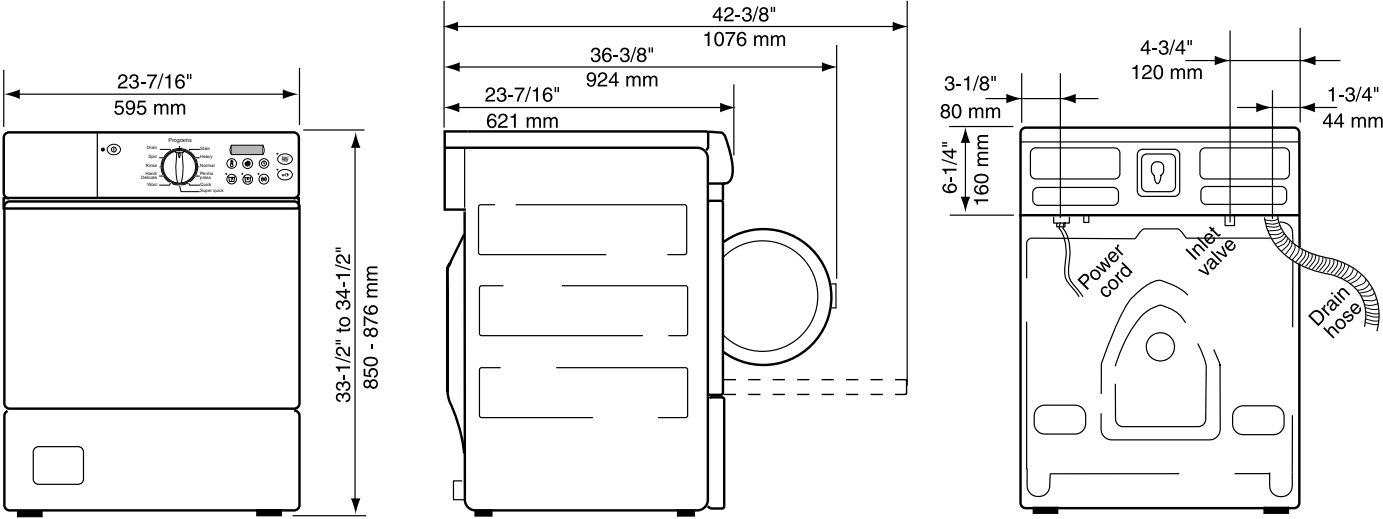
MODEL W6441

UNIT DIMENSIONS

	US	Metric
Height	33-1/2"-34-1/2"	850-876 mm
Width	23-7/16"	595 mm
Depth	24-7/16"	621 mm
Weight	167 lb	73 kg

TECHNICAL DATA

Supply voltage	Single-phase 230 V, 60 Hz
Water Pressure	15-146 psi
Heating element	2000 W
Internal Fuse	15 A
Power cord (attached)	220 V, 20 Amp



Every ASKO washer is delivered ready-fitted with a plug and is intended for connection to an ASKO dryer, which is equipped with a matching receptacle. If the washer is used separately or with another dryer, it must be on a separate 220 V, 20 Amp single-phase circuit.

Second-floor (above grade) installations must meet all local building codes.

When placing the washer next to a wall or cabinet, be sure to leave 1/2" (12 mm) of space between the washer and the wall or cabinet.

See pages 23-25 for stacked washer/dryer dimensions.

See pages 28-30 for cutout dimensions for closet and under-cabinet installations.

ASKO WASHER

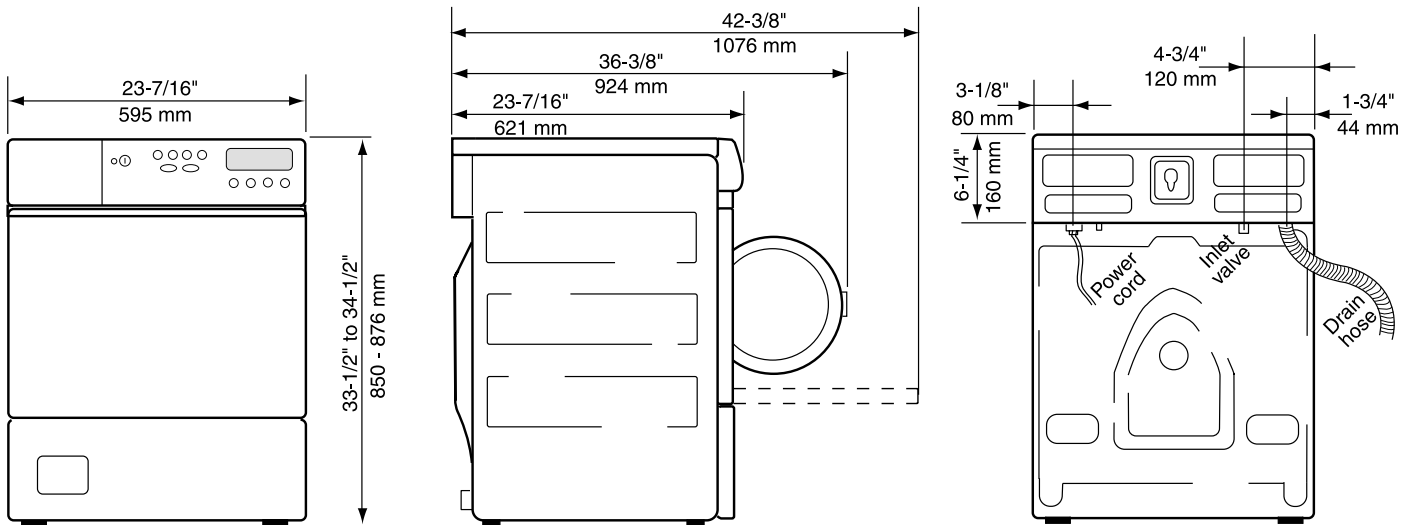
MODEL W6661

UNIT DIMENSIONS

	US	Metric
Height	33-1/2"-34-1/2"	850-876 mm
Width	23-7/16"	595 mm
Depth	23-7/16"	595 mm
Weight	174 lb	79 kg

TECHNICAL DATA

Supply voltage	Single-phase 230 V, 60 Hz
Water Pressure	15-146 psi
Heating element	2000 W
Internal Fuse	15 A
Power cord (attached)	220 V, 20 Amp



Every ASKO washer is delivered ready-fitted with a plug and is intended for connection to an ASKO dryer, which is equipped with a matching receptacle. If the washer is used separately or with another dryer, it must be on a separate 220 V, 20 Amp single-phase circuit.

Second-floor (above grade) installations must meet all local building codes.

When placing the washer next to a wall or cabinet, be sure to leave 1/2" (12 mm) of space between the washer and the wall or cabinet.

See pages 26-27 for stacked washer/dryer dimensions.

See pages 28-30 for cutout dimensions for closet and under-cabinet installations.

ASKO DRYER

MODEL T701 VENTED DRYER

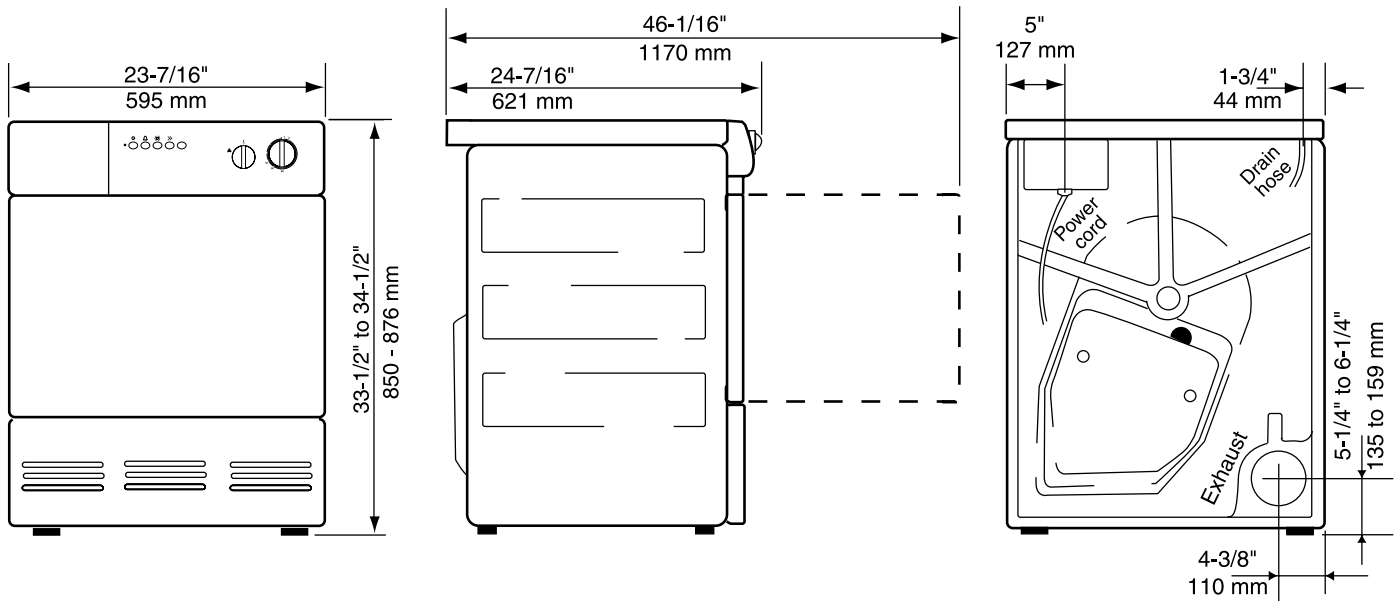
UNIT DIMENSIONS

	US	Metric
Height	33-1/2"–34-1/2"	850–876 mm
Width	23-7/16"	595 mm
Depth	24-7/16"	621 mm
Weight	86 lb	39 kg

TECHNICAL DATA

Supply voltage	Single-phase 230 V, 60 Hz
Heating element	2500 W
Internal Fuse	15 A

NOTE: When on a separate outlet, use 220 V, 15 Amp single-phase circuit. When an ASKO washer is connected, use 220 V, 30 Amp single-phase circuit.



The door hinges on ASKO dryers are shipped left-hinged, but they are reversible. See the Dryer Use and Care Guide for more information.

When placing the dryer next to a wall or cabinet, be sure to leave 1/2" (12 mm) of space between the dryer and the wall or cabinet.

See page 23 for stacked washer/dryer dimensions.

See pages 28–30 for cutout dimensions for closet and under-cabinet installations.

Venting Requirements

WARNING! To reduce the risk of fire, vented dryers must be exhausted **OUTDOORS** or the equivalent.

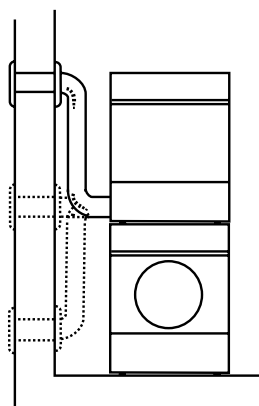
Never cover the end of the dryer stub or vent hose with anything to catch lint, except for a UL-approved vent basket.

The hose should be run with as few bends as possible to the point of discharge. If necessary, it can be extended to a maximum of 20 feet (610 mm) of 4 in (10 cm) diameter ridged pipe. Make any bends as gentle as possible. A maximum of four 90° bends may

be fitted in the hose, otherwise the performance of the dryer will be impeded. Subtract 4 feet of hose for every 90° elbow.

If the hose is taken to a wall outlet, a ventilation grill should be fitted to prevent reverse flow of cold air. Fit the ventilation grill to the outside or inside of the wall.

This appliance should not be exhausted into a chimney, a wall, a ceiling, or a concealed space of a building. Only a metal ventilation grill should be used.



Installation Examples

Subtract 4 feet (660 mm) for every 90° elbow.

ASKO DRYER

MODEL T721 CONDENSER DRYER

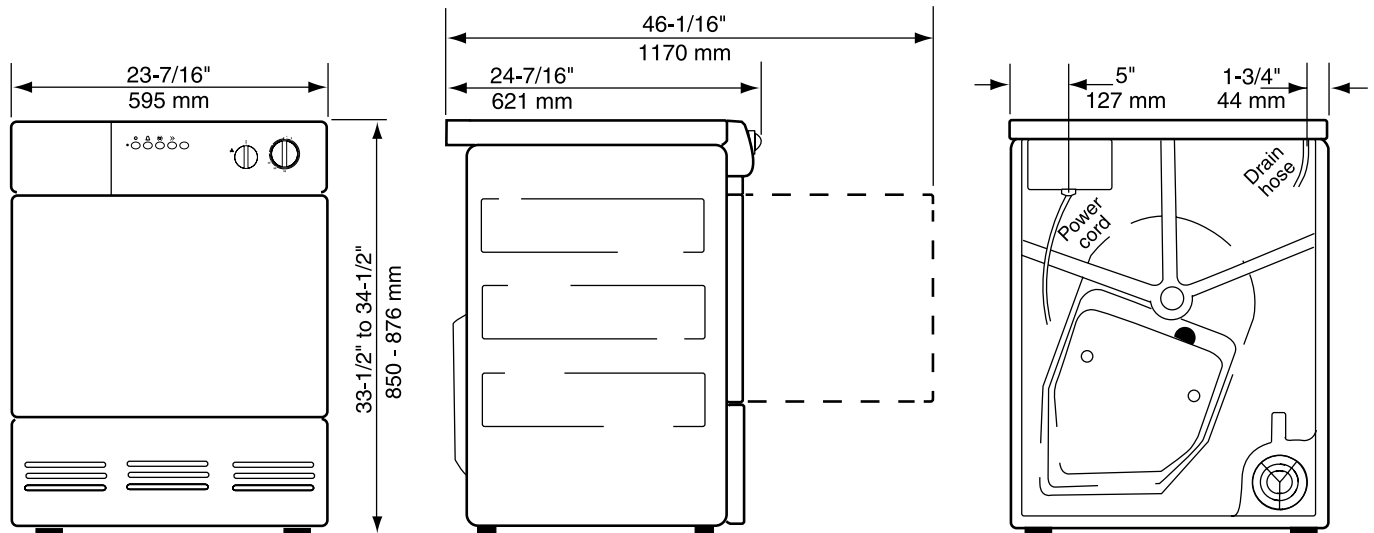
UNIT DIMENSIONS

	US	Metric
Height	33-1/2"–34-1/2"	850–876 mm
Width	23-7/16"	595 mm
Depth	24-7/16"	621 mm
Weight	103 lb	47 kg

TECHNICAL DATA

Supply voltage	Single-phase 230 V, 60 Hz
Heating element	2500 W
Internal Fuse	15 A

NOTE: When on a separate outlet, use 220 V, 15 Amp single-phase circuit. When an ASKO washer is connected, use 220 V, 30 Amp single-phase circuit.



The door hinges on ASKO dryers are shipped left-hinged, but they are reversible. See the Dryer Use and Care Guide for more information.

When placing the dryer next to a wall or cabinet, be sure to leave 1/2" (12 mm) of space between the dryer and the wall or cabinet.

See page 24 for stacked washer/dryer dimensions.

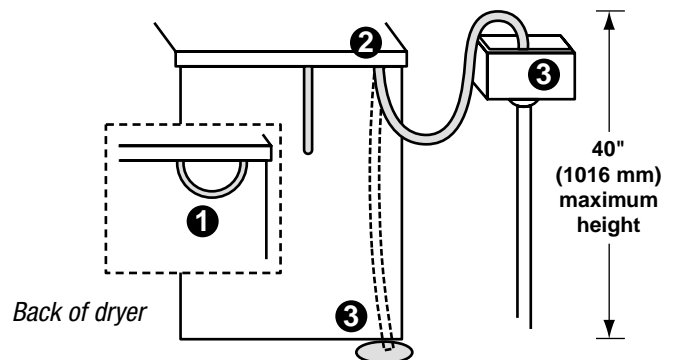
See pages 28–30 for cutout dimensions for closet and under-cabinet installations.

Condensation Drain Requirements

If possible, you should install the dryer so the condensed water will continuously flow into a drain or sink. To do this, follow the instructions below:

1. Disconnect the short hose (1) from the blue connection. (It's okay to let the hose hang down.)
2. Connect the rubber hose supplied with the dryer to the blue nipple (2).
3. Run the hose to a drain or sink, as illustrated.

NOTE: The drain hose must not be more than 40" above the floor or the bottom of the unit.



ASKO DRYER

MODEL T731 VENTED DRYER

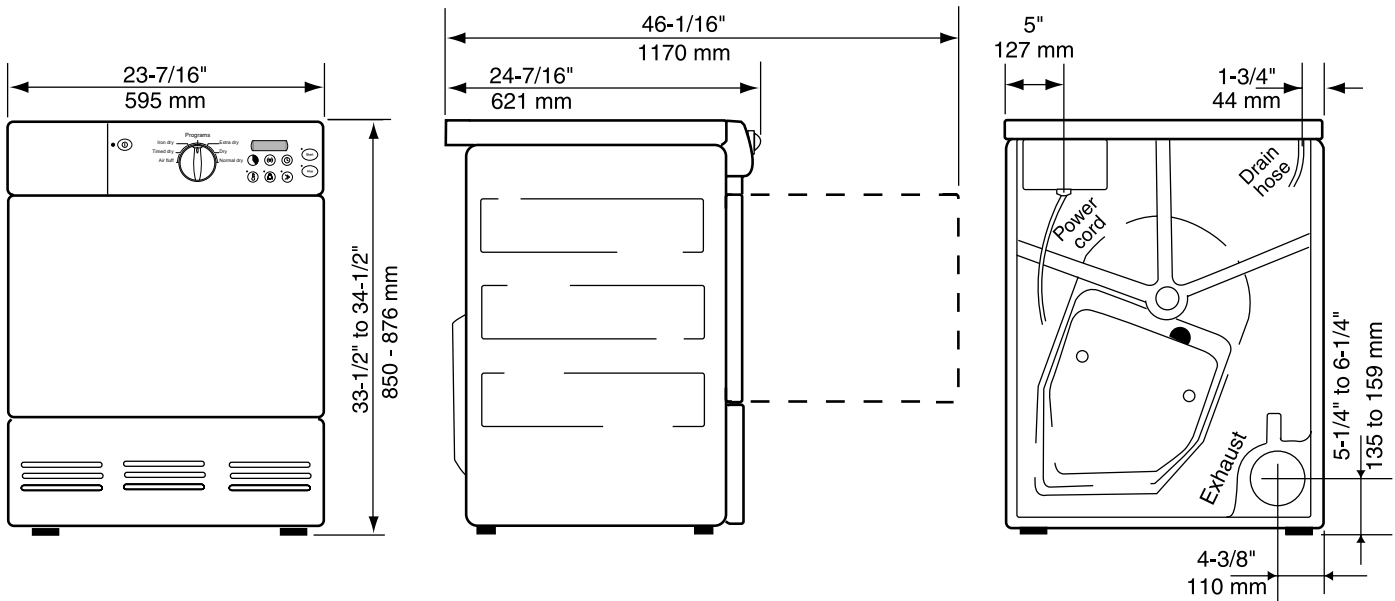
UNIT DIMENSIONS

	US	Metric
Height	33-1/2"–34-1/2"	850–876 mm
Width	23-7/16"	595 mm
Depth	24-7/16"	621 mm
Weight	86 lb	39 kg

TECHNICAL DATA

Supply voltage	Single-phase 230 V, 60 Hz
Heating element	2500 W
Internal Fuse	15 A

NOTE: When on a separate outlet, use 220 V, 15 Amp single-phase circuit. When an ASKO washer is connected, use 220 V, 30 Amp single-phase circuit.



The door hinges on ASKO dryers are shipped left-hinged, but they are reversible. See the Dryer Use and Care Guide for more information.

When placing the dryer next to a wall or cabinet, be sure to leave 1/2" (12 mm) of space between the dryer and the wall or cabinet.

See page 25 for stacked washer/dryer dimensions.

See pages 28–30 for cutout dimensions for closet and under-cabinet installations.

Venting Requirements

WARNING! To reduce the risk of fire, vented dryers must be exhausted **OUTDOORS** or the equivalent.

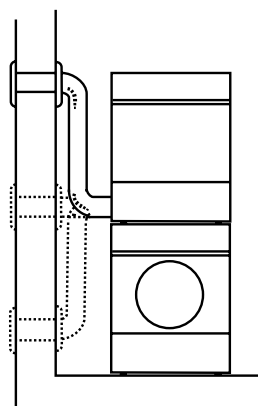
Never cover the end of the dryer stub or vent hose with anything to catch lint, except for a UL-approved vent basket.

The hose should be run with as few bends as possible to the point of discharge. If necessary, it can be extended to a maximum of 20 feet (610 mm) of 4 in (10 cm) diameter ridged pipe. Make any bends as gentle as possible. A maximum of four 90° bends may

be fitted in the hose, otherwise the performance of the dryer will be impeded. Subtract 4 feet of hose for every 90° elbow.

If the hose is taken to a wall outlet, a ventilation grill should be fitted to prevent reverse flow of cold air. Fit the ventilation grill to the outside or inside of the wall.

This appliance should not be exhausted into a chimney, a wall, a ceiling, or a concealed space of a building. Only a metal ventilation grill should be used.



Installation Examples

Subtract 4 feet (660 mm) for every 90° elbow.

ASKO DRYER

MODEL T761 VENTED DRYER

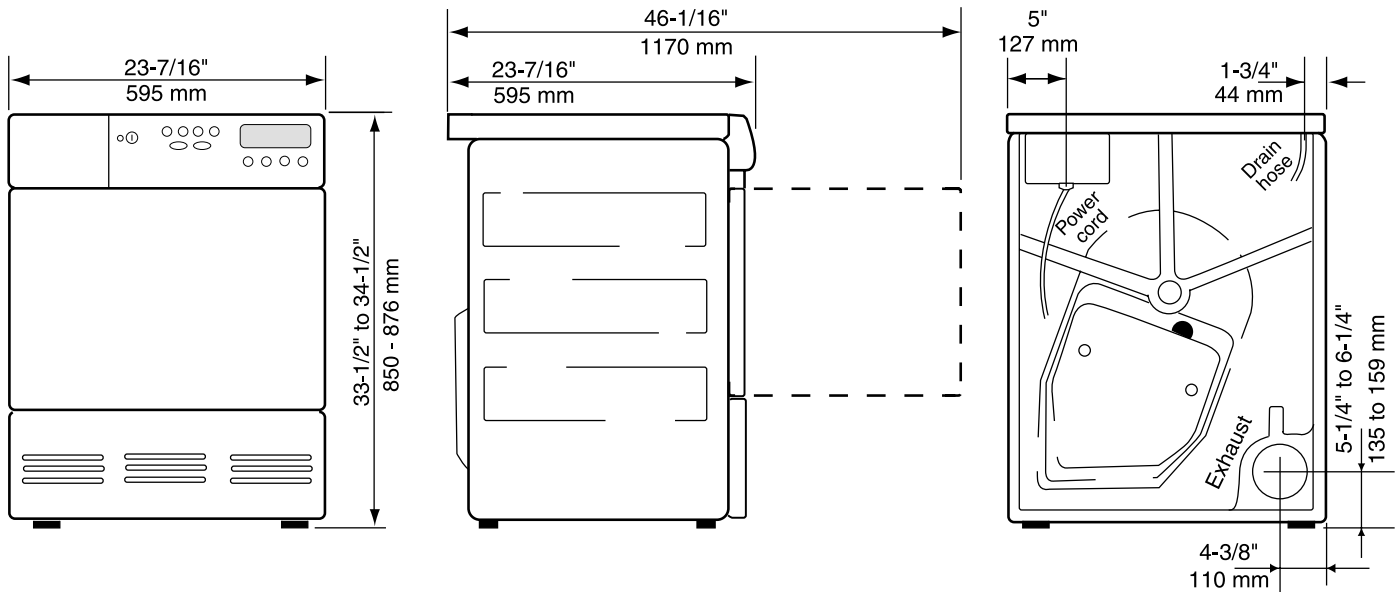
UNIT DIMENSIONS

	US	Metric
Height	33-1/2"–34-1/2"	850–876 mm
Width	23-7/16"	595 mm
Depth	24-7/16"	621 mm
Weight	86 lb	39 kg

TECHNICAL DATA

Supply voltage	Single-phase 230 V, 60 Hz
Heating element	2500 W
Internal Fuse	15 A

NOTE: When on a separate outlet, use 220 V, 15 Amp single-phase circuit. When an ASKO washer is connected, use 220 V, 30 Amp single-phase circuit.



The door hinges on ASKO dryers are shipped left-hinged, but they are reversible. See the Dryer Use and Care Guide for more information.

When placing the dryer next to a wall or cabinet, be sure to leave 1/2" (12 mm) of space between the dryer and the wall or cabinet.

See page 26 for stacked washer/dryer dimensions.

See pages 28–30 for cutout dimensions for closet and under-cabinet installations.

Venting Requirements

WARNING! To reduce the risk of fire, vented dryers must be exhausted **OUTDOORS** or the equivalent.

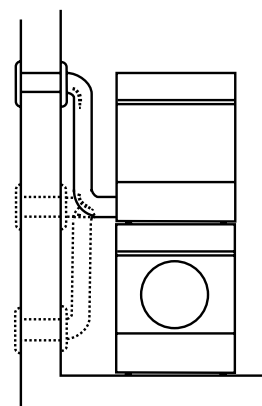
Never cover the end of the dryer stub or vent hose with anything to catch lint, except for a UL-approved vent basket.

The hose should be run with as few bends as possible to the point of discharge. If necessary, it can be extended to a maximum of 20 feet (610 mm) of 4 in (10 cm) diameter ridged pipe. Make any bends as gentle as possible. A maximum of four 90° bends may

be fitted in the hose, otherwise the performance of the dryer will be impeded. Subtract 4 feet of hose for every 90° elbow.

If the hose is taken to a wall outlet, a ventilation grill should be fitted to prevent reverse flow of cold air. Fit the ventilation grill to the outside or inside of the wall.

This appliance should not be exhausted into a chimney, a wall, a ceiling, or a concealed space of a building. Only a metal ventilation grill should be used.



Installation Examples

Subtract 4 feet (660 mm) for every 90° elbow.

ASKO DRYER

MODEL T781 CONDENSER DRYER

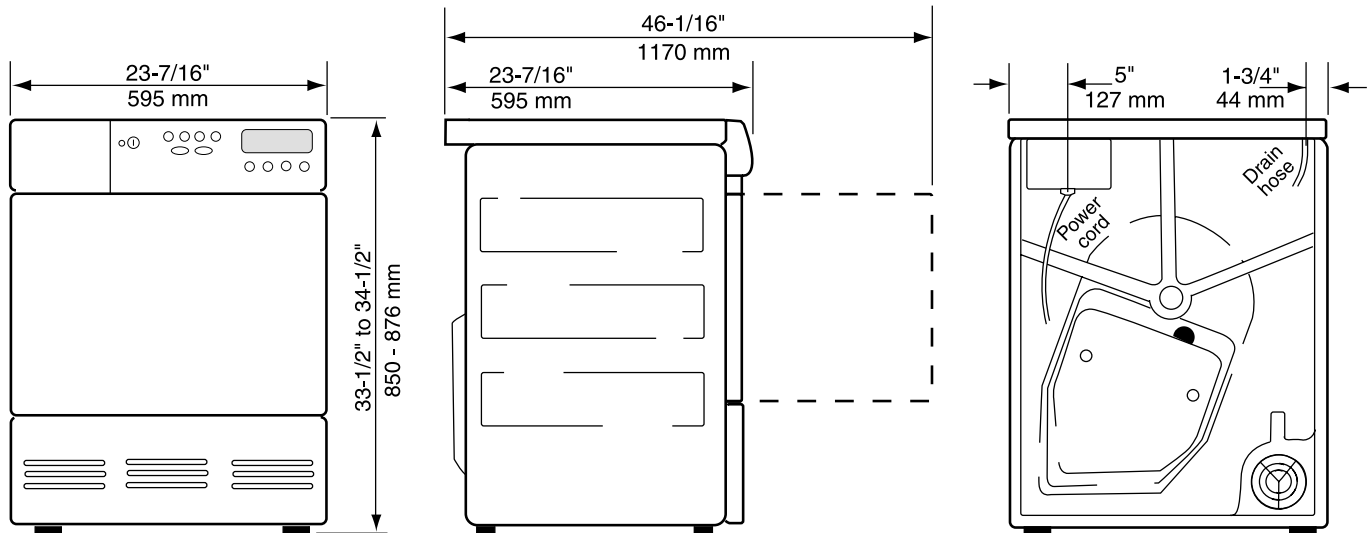
UNIT DIMENSIONS

	US	Metric
Height	33-1/2"–34-1/2"	850–876 mm
Width	23-7/16"	595 mm
Depth	23-7/16"	595 mm
Weight	103 lb	47 kg

TECHNICAL DATA

Supply voltage	Single-phase 230 V, 60 Hz
Heating element	2500 W
Internal Fuse	15 A

NOTE: When on a separate outlet, use 220 V, 15 Amp single-phase circuit. When an ASKO washer is connected, use 220 V, 30 Amp single-phase circuit.



The door hinges on ASKO dryers are shipped left-hinged, but they are reversible. See the Dryer Use and Care Guide for more information.

When placing the dryer next to a wall or cabinet, be sure to leave 1/2" (12 mm) of space between the dryer and the wall or cabinet.

See page 27 for stacked washer/dryer dimensions.

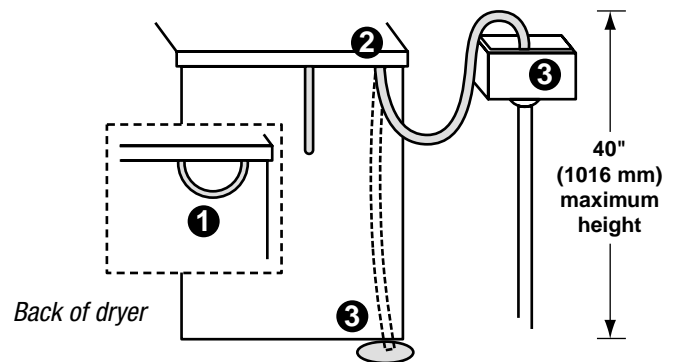
See pages 28–30 for cutout dimensions for closet and under-cabinet installations.

Condensation Drain Requirements

If possible, you should install the dryer so the condensed water will continuously flow into a drain or sink. To do this, follow the instructions below:

1. Disconnect the short hose (1) from the blue connection. (It's okay to let the hose hang down.)
2. Connect the rubber hose supplied with the dryer to the blue nipple (2).
3. Run the hose to a drain or sink, as illustrated.

NOTE: The drain hose must not be more than 40" above the floor or the bottom of the unit.



ASKO STACKED LAUNDRY PAIRS

W6021/W6441 AND T701 VENTED DRYER

DIMENSIONS

	US	Metric
Height	67"–69"	1702–1753 mm
Width	23-7/16"	595mm
Depth	24-7/16"	621 mm
Weight	253–258 lbs	115–117 kg

WARNING! Never stack a washer on top of a dryer!

Any ASKO dryer can be mounted on top of any matching ASKO washer. Stacking kits are packed inside the dryer. Refer to the ASKO Dryer Use and Care Guide for stacking instructions.

Every ASKO washer is delivered ready-fitted with a plug and is intended for connection to an ASKO dryer, which is equipped with a matching receptacle. When an ASKO washer is connected to the dryer, use 220 V, 30 Amp single-phase circuit. When the dryer is

on a separate outlet, use 220 V, 15 Amp single-phase circuit. If the washer is used separately or with another dryer, it must be on a separate 220 V, 20 Amp single-phase circuit.

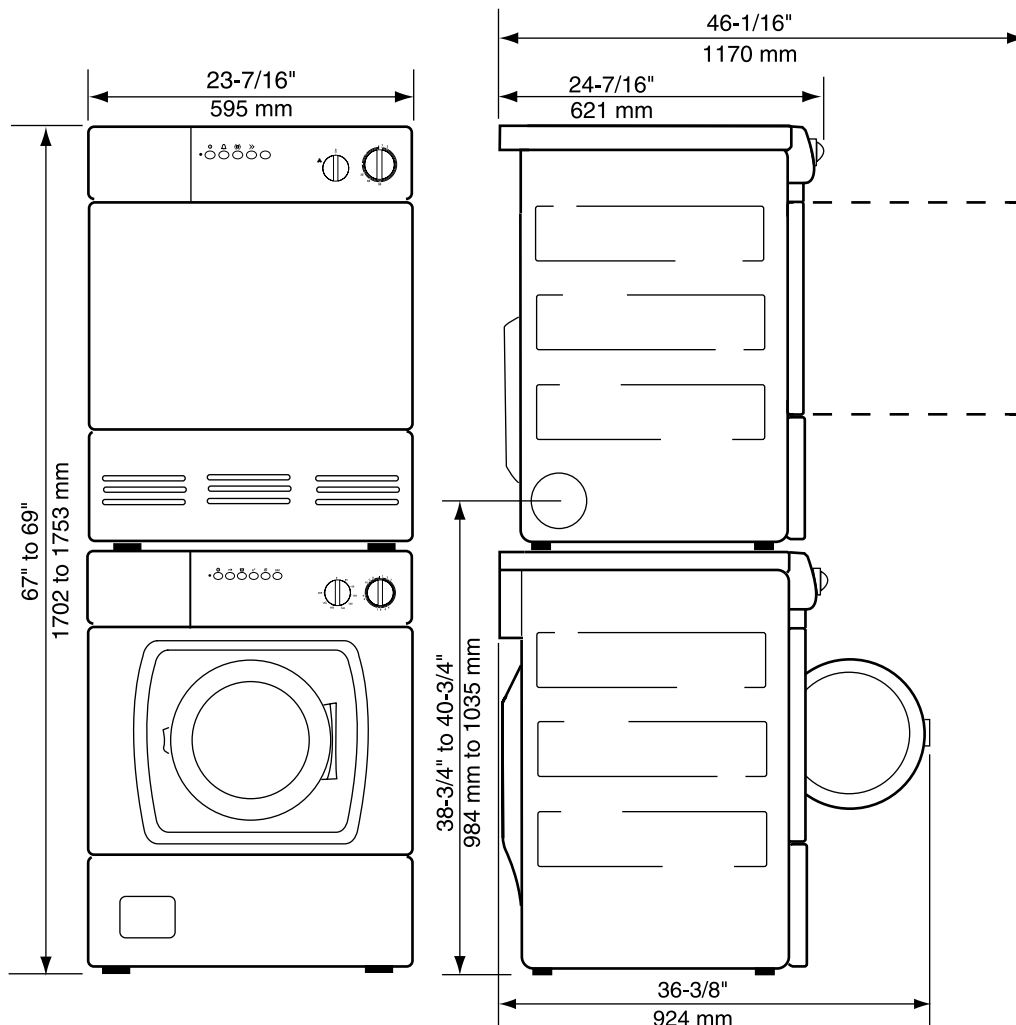
When placing a stacked set next to a wall or cabinet, be sure to leave 1/2" (12 mm) of space between the washer and the wall or cabinet.

See page 18 for venting requirements.

See pages 29 for stacked cabinet or closet dimensions.

WARNING! To reduce the risk of fire, vented dryers must be exhausted OUTDOORS or the equivalent.

Never cover the end of the dryer stub or vent hose with anything to catch lint, except for a UL-approved vent basket.



ASKO STACKED LAUNDRY PAIRS

W6021/W6441 AND T721 CONDENSER DRYER

DIMENSIONS

	US	Metric
Height	67"-69"	1702-1753 mm
Width	23-7/16"	595 mm
Depth	24-7/16"	621 mm
Weight	270-275 lbs	122-125 kg

WARNING! Never stack a washer on top of a dryer!

Any ASKO dryer can be mounted on top of any matching ASKO washer. Stacking kits are packed inside the dryer. Refer to the ASKO Dryer Use and Care Guide for stacking instructions.

Every ASKO washer is delivered ready-fitted with a plug and is intended for connection to an ASKO dryer, which is equipped with a matching receptacle. When an ASKO washer is connected to the

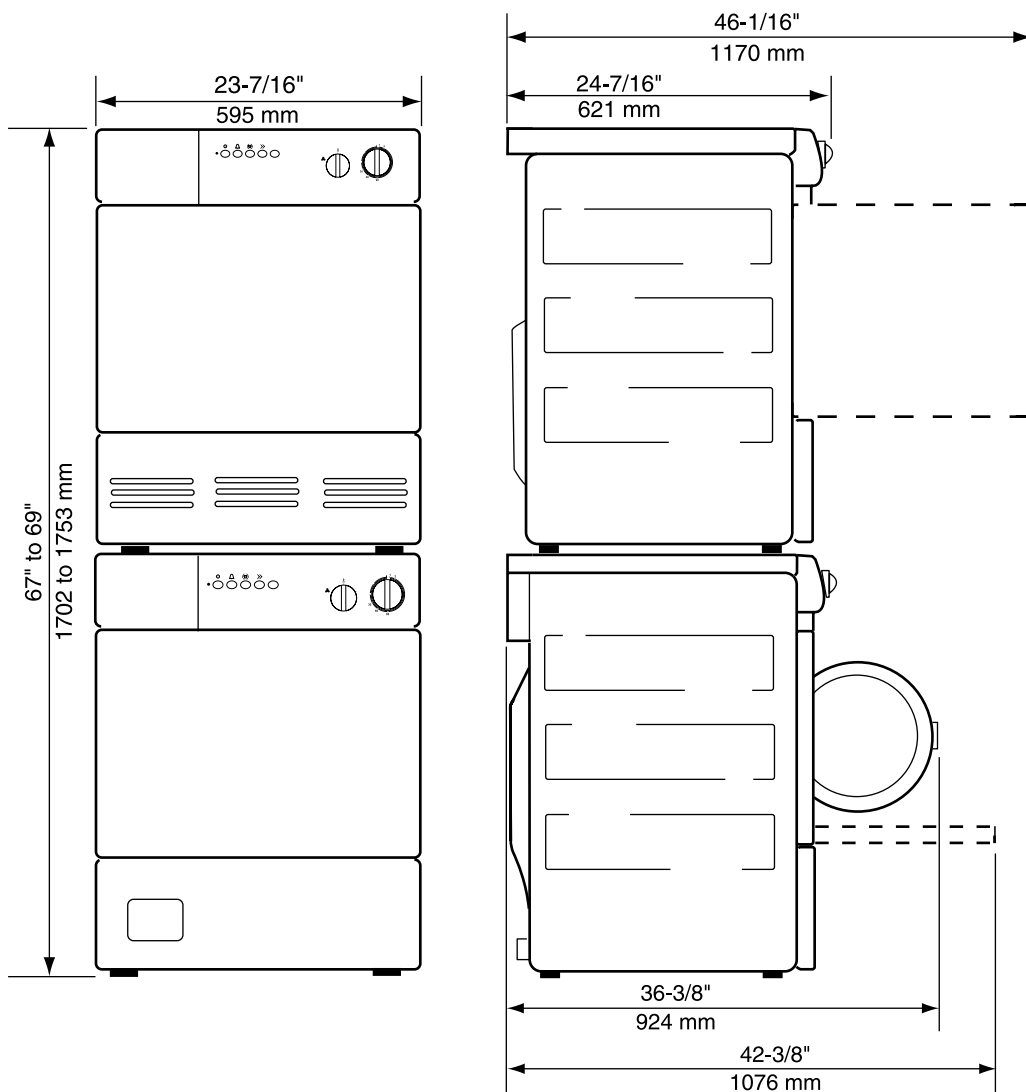
dryer, use 220 V, 30 Amp single-phase circuit. When the dryer is on a separate outlet, use 220 V, 15 Amp single-phase circuit. If the washer is used separately or with another dryer, it must be on a separate 220 V, 20 Amp single-phase circuit.

When placing a stacked pair next to a wall or cabinet, be sure to leave 1/2" (12 mm) of space between the washer and the wall or cabinet.

ASKO condenser dryers can be installed to continuously drain through a hose attached to the rear of the machine. **To ensure proper drainage, the drain must not be higher than 40" above the bottom of the dryer.**

See page 19 for condensation drain requirements.

See page 29 for stacked cabinet or closet installation dimensions.



ASKO STACKED LAUNDRY PAIRS

W6441 AND T731 VENTED DRYER

DIMENSIONS

	US	Metric
Height	67"–69"	1702–1753 mm
Width	23-7/16"	595mm
Depth	24-7/16"	621 mm
Weight	253–258 lbs	115–117 kg

WARNING! Never stack a washer on top of a dryer!

Any ASKO dryer can be mounted on top of any matching ASKO washer. Stacking kits are packed inside the dryer. Refer to the ASKO Dryer Use and Care Guide for stacking instructions.

Every ASKO washer is delivered ready-fitted with a plug and is intended for connection to an ASKO dryer, which is equipped with a matching receptacle. When an ASKO washer is connected to the dryer, use 220 V, 30 Amp single-phase circuit. When the dryer is

on a separate outlet, use 220 V, 15 Amp single-phase circuit. If the washer is used separately or with another dryer, it must be on a separate 220 V, 20 Amp single-phase circuit.

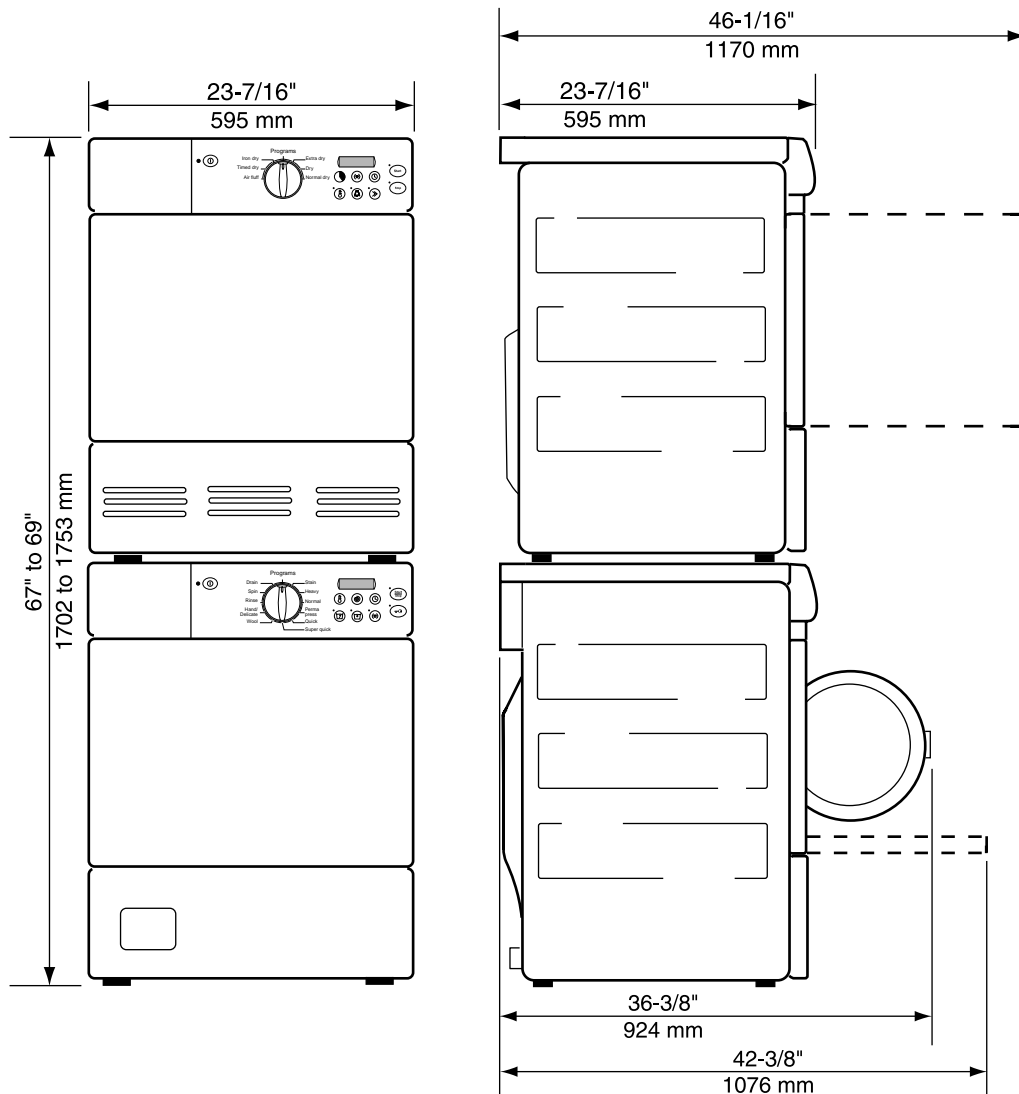
When placing a stacked set next to a wall or cabinet, be sure to leave 1/2" (12 mm) of space between the washer and the wall or cabinet.

See page 20 for venting requirements.

See pages 29 for stacked cabinet or closet dimensions.

WARNING! To reduce the risk of fire, vented dryers must be exhausted OUTDOORS or the equivalent.

Never cover the end of the dryer stub or vent hose with anything to catch lint, except for a UL-approved vent basket.



ASKO STACKED LAUNDRY PAIRS

W6661 AND T761 VENTED DRYER

DIMENSIONS

	US	Metric
Height	67"–69"	1702–1753 mm
Width	23-7/16"	595 mm
Depth	24-7/16"	621 mm
Weight	253–260 lbs	115–118 kg

WARNING! Never stack a washer on top of a dryer!

Any ASKO dryer can be mounted on top of any matching ASKO washer. Stacking kits are packed inside the dryer. Refer to the ASKO Dryer Use and Care Guide for stacking instructions.

Every ASKO washer is delivered ready-fitted with a plug and is intended for connection to an ASKO dryer, which is equipped with a matching receptacle. When an ASKO washer is connected to the dryer, use 220 V, 30 Amp single-phase circuit. When the dryer is

on a separate outlet, use 220 V, 15 Amp single-phase circuit. If the washer is used separately or with another dryer, it must be on a separate 220 V, 20 Amp single-phase circuit.

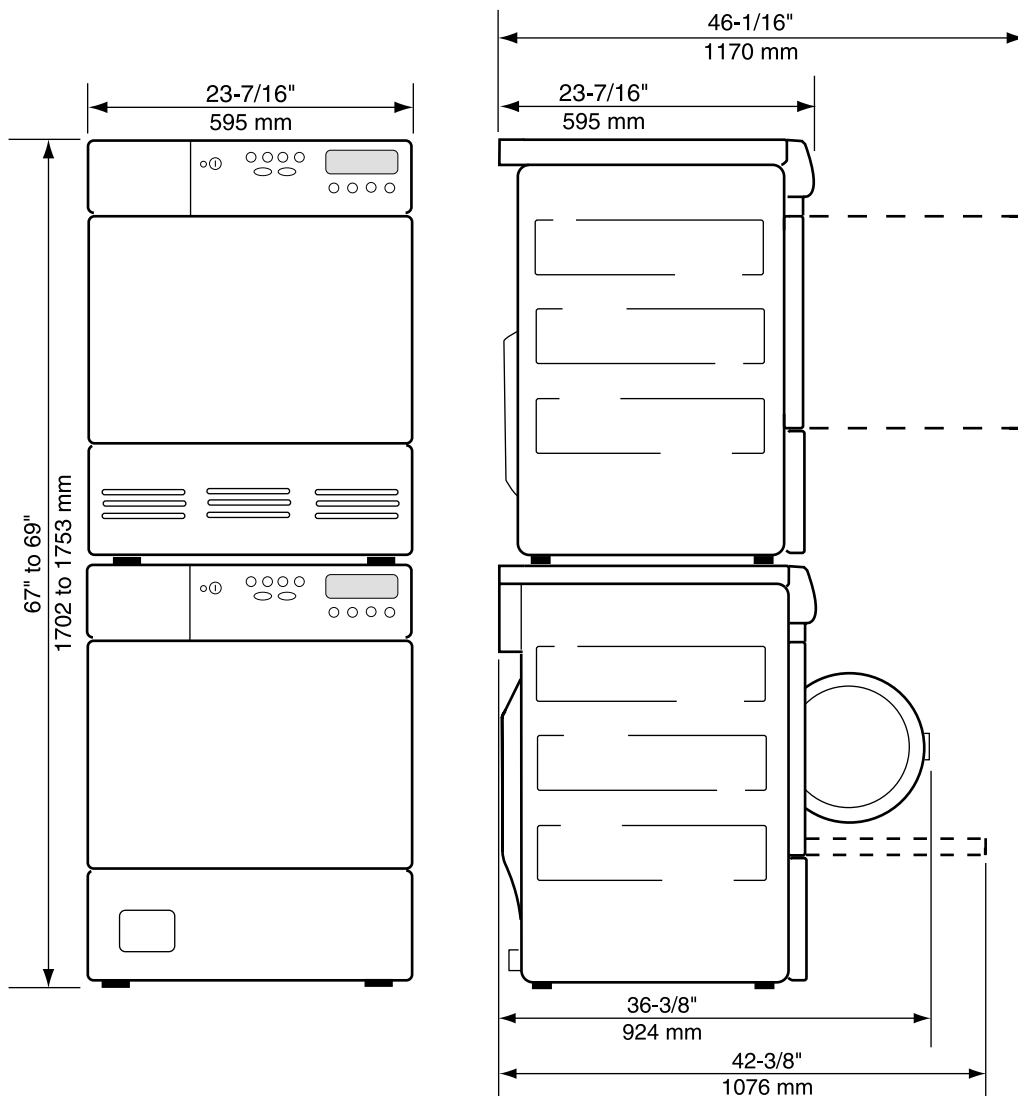
When placing a stacked pair next to a wall or cabinet, be sure to leave 1/2" (12 mm) of space between the washer and the wall or cabinet.

See page 21 for venting requirements.

See page 29 for stacked cabinet or closet installation dimensions.

WARNING! To reduce the risk of fire, vented dryers must be exhausted OUTDOORS or the equivalent.

Never cover the end of the dryer stub or vent hose with anything to catch lint, except for a UL-approved vent basket.



ASKO STACKED LAUNDRY PAIRS

W6661 AND T781 CONDENSER DRYER

DIMENSIONS

	US	Metric
Height	67"-69"	1702-1753 mm
Width	23-7/16"	595mm
Depth	24-7/16"	621 mm
Weight	270-277 lbs	122-126 kg

WARNING! Never stack a washer on top of a dryer!

Any ASKO dryer can be mounted on top of any matching ASKO washer. Stacking kits are packed inside the dryer. Refer to the *ASKO Dryer Use and Care Guide* for stacking instructions.

Every ASKO washer is delivered ready-fitted with a plug and is intended for connection to an ASKO dryer, which is equipped with a matching receptacle. When an ASKO washer is connected to the dryer, use 220 V, 30 Amp single-phase circuit. When the dryer is

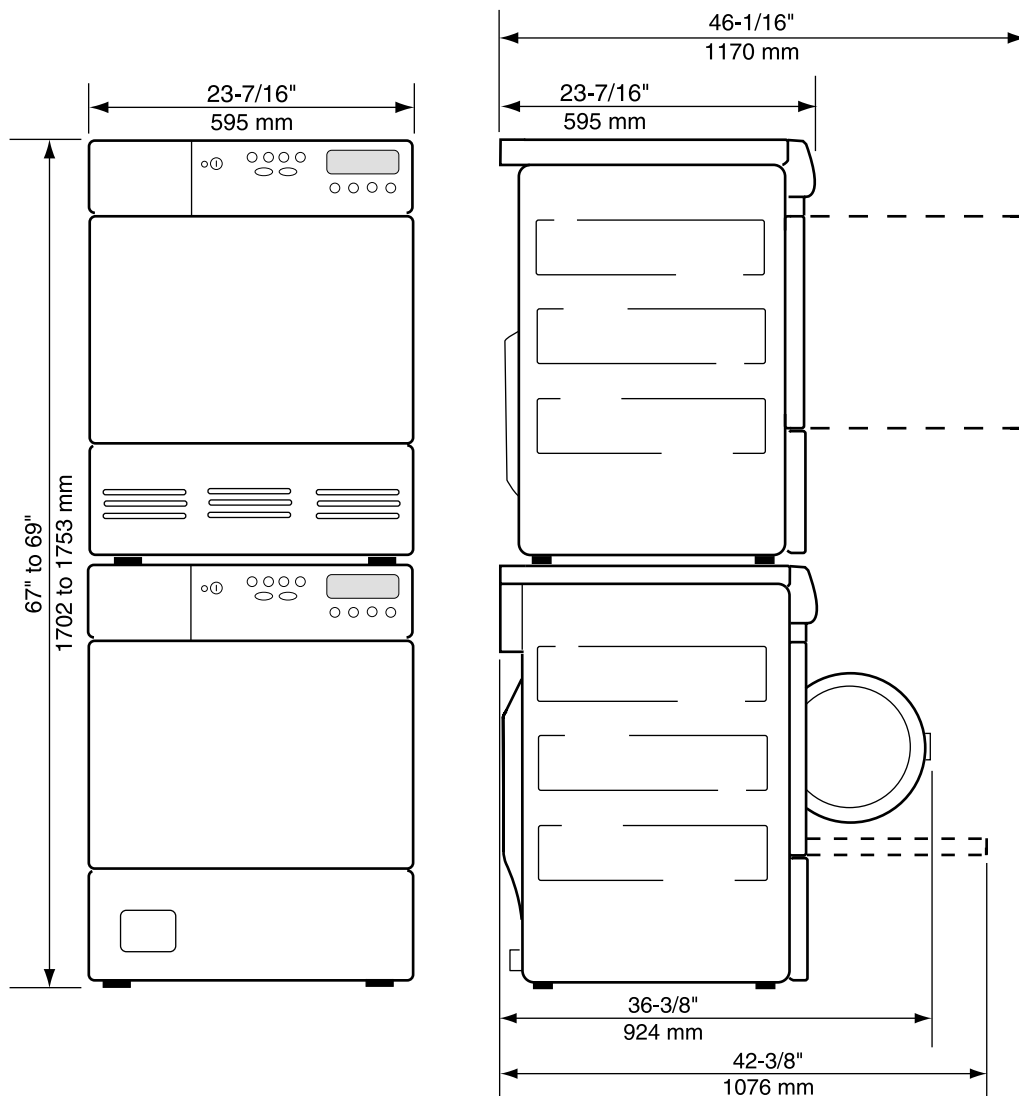
on a separate outlet, use 220 V, 15 Amp single-phase circuit. If the washer is used separately or with another dryer, it must be on a separate 220 V, 20 Amp single-phase circuit.

When placing a stacked pair next to a wall or cabinet, be sure to leave 1/2" (12 mm) of space between the washer and the wall or cabinet.

ASKO condenser dryers can be installed to continuously drain through a hose attached to the rear of the machine. **To ensure proper drainage, the drain must not be higher than 40" above the bottom of the dryer.**

See page 22 for condensation drain requirements.

See page 29 for stacked cabinet or closet installation dimensions.



ASKO LAUNDRY

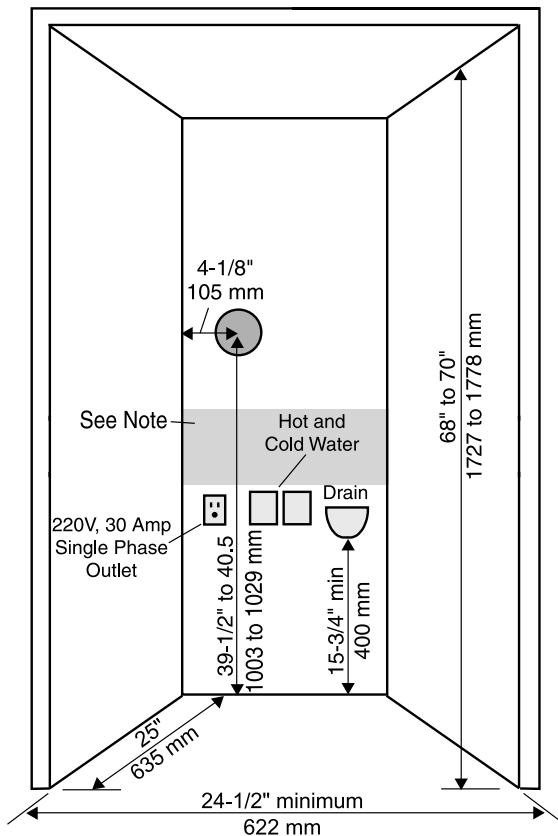
STACKED CABINET OR CLOSET INSTALLATIONS

ASKO's front panel controls make it possible to install the washers and dryers under a cabinet or in a closet. Make sure there is a 1/2" (12 mm) minimum clearance between units and between units and cabinet or wall. To ensure proper ventilation, we recommend louvered doors, particularly for condenser dryers.

Every ASKO washer is delivered ready-fitted with a plug and is intended for connection to an ASKO dryer, which is equipped with a matching receptacle. When an ASKO washer is connected to the dryer, use 220 V, 30 Amp single-phase circuit. When the dryer is on a separate outlet, use 220 V, 15 Amp single-phase circuit. If the washer is used separately or with another dryer, it must be on a separate 220 V, 20 Amp single-phase circuit.

VENTED DRYER OPENING

T701 and T721 dryers can be vented from the rear or the left or right side. The cabinet cutout illustrated below gives the dimensions for a rear exhaust. *See page 18 for venting requirements.*



WARNING! To reduce the risk of fire, vented dryers must be exhausted **OUTDOORS** or the equivalent.

Never cover the end of the dryer stub or vent hose with anything to catch lint, except for a UL-approved vent basket.

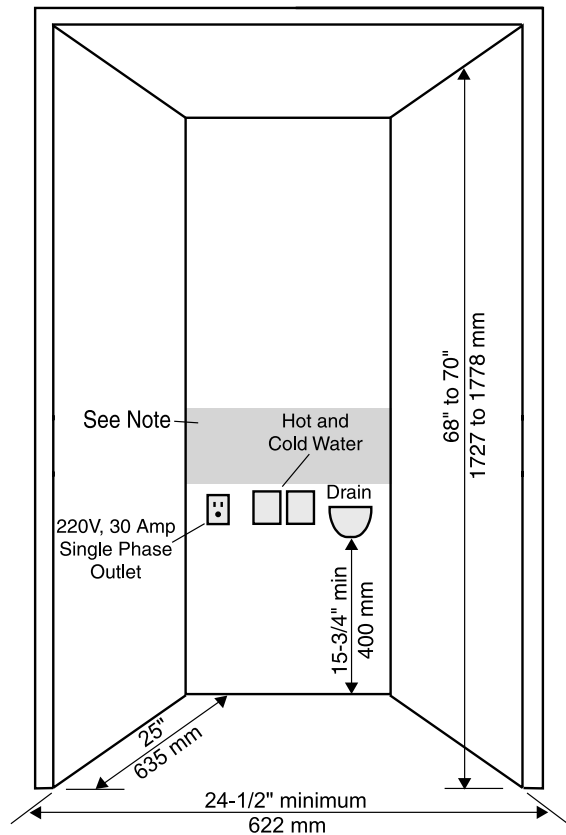
CUTOUT DIMENSIONS

	US	Metric
Height	68" to 70"	1727 to 1778 mm
Width	24-1/2" minimum	622 mm
Depth	25"	635 mm

CONDENSER DRYER OPENING

ASKO condenser dryers can be installed to continuously drain through a hose attached to the rear of the machine.

To ensure proper drainage, the drain must not be higher than 40" above the bottom of the dryer. See page 19 for condensation drain requirements.



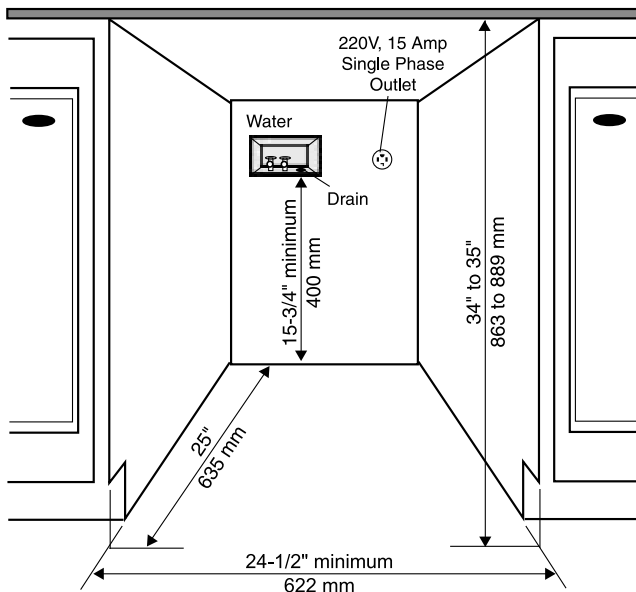
NOTE: To avoid crimping the electrical and water connections, do not install the hookups between the area of 26" to 35" from the floor (as indicated by shaded area in illustrations above). For stacked installations, we recommend a 6-foot cord.

SINGLE UNIT CABINET INSTALLATIONS

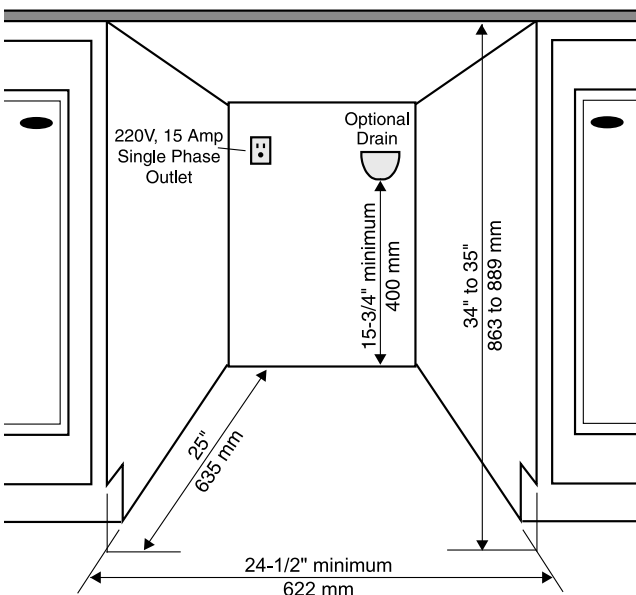
ASKO's front panel controls make it possible to install the washers and dryers under a cabinet or in a closet. Make sure there is a 1/2" (12 mm) minimum clearance between units and between units and cabinet or wall.

Every ASKO washer is delivered ready-fitted with a plug and is intended for connection to an ASKO dryer, which is equipped with a matching receptacle. When an ASKO washer is connected to the dryer, use 220 V, 30 Amp single-phase circuit. When the dryer is on a separate outlet, use 220 V, 15 Amp single-phase circuit. If the washer is used separately or with another dryer, it must be on a separate 220 V, 20 Amp single-phase circuit.

WASHER OPENING



CONDENSER DRYER OPENING



CUTOUT DIMENSIONS

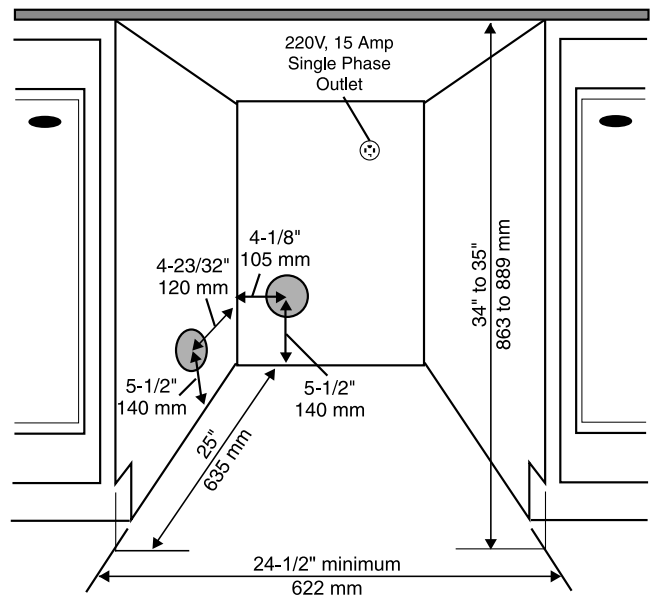
	US	Metric
Height	34"-35"	863-889 mm
Width	24-1/2" minimum	622 mm
Depth	25"	635 mm

NOTE: For these installations, a custom countertop may be required.

VENTED DRYER OPENING

ASKO vented dryers can be vented from the rear or the left or right side. The cabinet cutout illustrated below gives the dimensions for a rear or left exhaust.

See page 18 for venting requirements.



WARNING! To reduce the risk of fire, vented dryers must be exhausted **OUTDOORS** or the equivalent. See page 18 for venting requirements.

Never cover the end of the dryer stub or vent hose with anything to catch lint, except for a UL-approved vent basket.

Condenser Dryers

ASKO condenser dryers can be installed to continuously drain through a hose attached to the rear of the machine. To ensure proper drainage, the drain must not be higher than 40" above the bottom of the dryer.

See page 19 for condensation drain requirements.

SIDE-BY-SIDE UNDER-COUNTER INSTALLATIONS

ASKO's front panel controls make it possible to install the washers and dryers under a cabinet or in a closet. Make sure there is a 1/2" (12 mm) minimum clearance between units and between units and cabinet or wall.

Every ASKO washer is delivered ready-fitted with a plug and is intended for connection to an ASKO dryer, which is equipped with a matching receptacle. When an ASKO washer is connected to the dryer, use 220 V, 30 Amp single-phase circuit. When the dryer is on a separate outlet, use 220 V, 15 Amp single-phase circuit. If the washer is used separately or with another dryer, it must be on a separate 220 V, 20 Amp single-phase circuit.

NOTE: To avoid crimping the electrical and water connections, do not install the hookups between the area of 26" to 35" from the floor.

OPENING FOR WASHER AND VENTED DRYER

T701 and T721 dryers can be vented from the rear or the left or right side. The cabinet cutout illustrated at right gives the dimensions for a rear and left exhaust. **See page 18 for venting requirements.**

WARNING! To reduce the risk of fire, vented dryers must be exhausted **OUTDOORS** or the equivalent.

Never cover the end of the dryer stub or vent hose with anything to catch lint, except for a UL-approved vent basket.

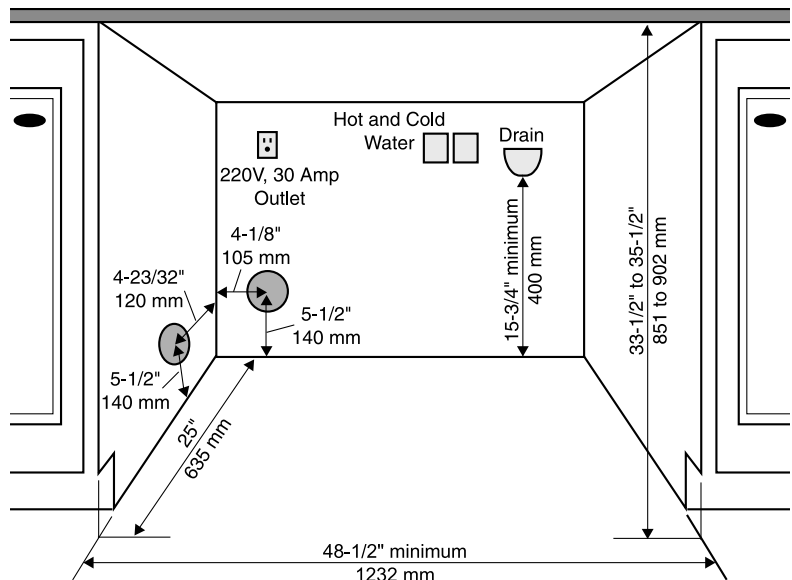
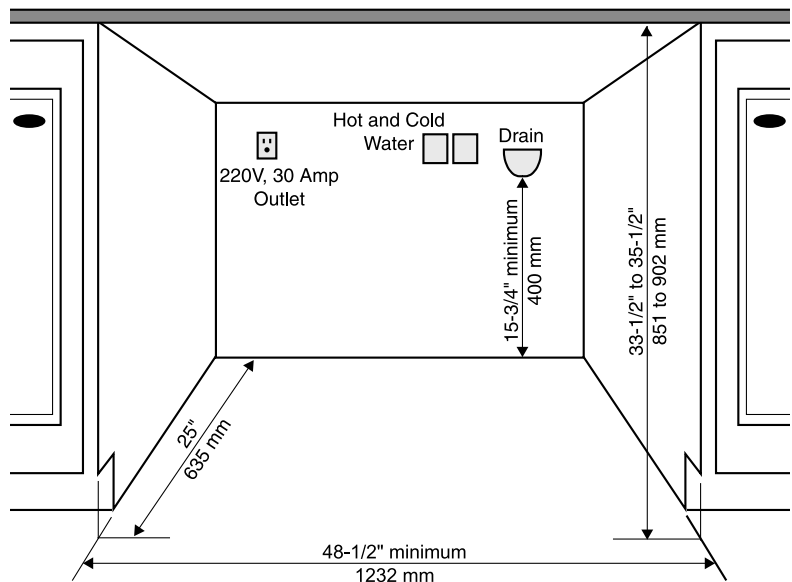
OPENING FOR WASHER AND CONDENSER DRYER

ASKO condenser dryers can be installed to continuously drain through a hose attached to the rear of the machine. **To ensure proper drainage, the drain must not be higher than 40" above the bottom of the dryer. See page 19 for condensation drain requirements.**

CUTOUT DIMENSIONS

	US	Metric
Height	68" to 70"	1727 to 1778 mm
Width	24-1/2" minimum	622 mm
Depth	25"	635 mm

NOTE: For these installations, a custom countertop may be required.



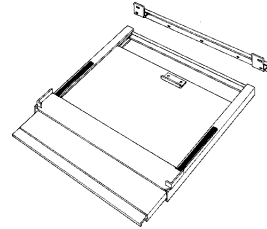
OPTIONAL LAUNDRY ACCESSORIES

SLIDE-OUT SHELF

Installs between stacked pair. Extends 15" from units.

8061907-0 White

8061907-26 Black

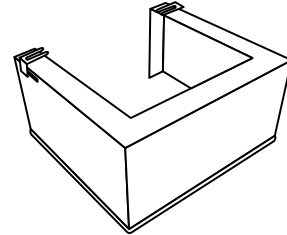


STEEL LAUNDRY PLATFORM

Will raise a washer or a dryer (one machine per platform) 12" off the floor.

8052000 White

8052000-B Black



WHITE SPACE TRIM KIT

Installs between stacked pair to provide a single unit appearance.

8063981

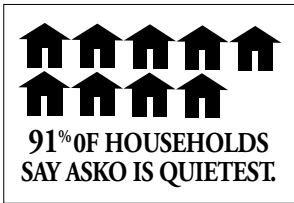
THE AWARDS JUST KEEP STACKING UP.



W660 and T760 for 2000



W600 for 2001



Dishwashers selected by 91% of homeowners as the quietest in independent tests.



D1996FI Dishwasher



1805 Dishwasher Excellence In Design Innovation



All ASKO products are covered by the Good Housekeeping Seal.



W660 Washer & T760 Dryer



Money Isn't All You're Saving
ASKO dishwashers and washers meet the Energy Star® requirements.



W660 Washer & T760 Dryer
2000



W6661 Washer & T761 Dryer
2002

ASKO
BUILT TO LAST LONGER
www.askousa.com