



DESIGN **DAVID LEWIS**

# Menhir

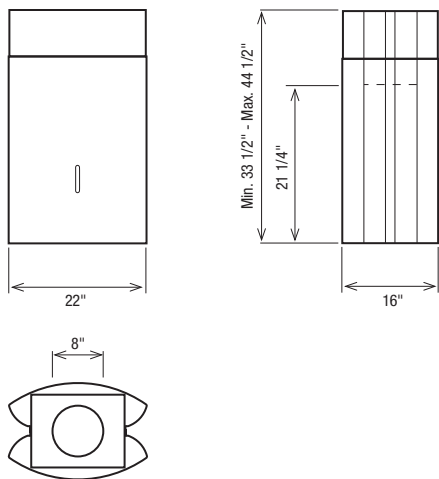
**ISLAND HOOD**

**elica**  
COLLECTION

Inspired by prehistoric stone monuments found throughout England and northern France, Menhir draws on antiquity to redefine the traditional island range hood. Simple, yet distinctive vertical design with compact 22" width is accented by four convex wings that convey strength and time-less grace. A minimalist 1" diameter ball or cone-shaped brass remote device, controls the mood setting halogen lighting and powerful 4-speed blower.



# Menhir



MODEL#	FINISH	DIMENSIONS			SHIPPING LBS.
		WIDTH	DEPTH	HEIGHT	
EMN622SS	Stainless Steel	22"	16"	-	119.3

## Hood Mounting Height Above Cooking Surface

GAS		ELECTRIC	
minimum	maximum	minimum	maximum
30"	34"	24"	30"

## Chimney Height (based on recommended mounting heights listed above)

DUCTED		RECIRCULATING	
Gas min./max.	Electric min./max.	Gas min./max.	Electric min./max.
8'3" - 9'8"	7'9" - 9'4"	8'5" - 10'2"	7'11" - 9'10"

## Blower Performance

SPEED LEVEL	AIRFLOW IN CFM (cubic feet per minute)	SOUND LEVEL (IN SONES)
1	230	1.5
2	340	3.3
3	470	6.2
Booster	600	9.0

## Menhir Accessories

MODEL#	DESCRIPTION	SHIPPING LBS.
EMNRCK14	Recirculating Kit	6



### Electrical:

AC Input: 120V - 60Hz AC Power Max.: 450W at 4.0 Amps

**4-Speed 600 CFM Internal Blower** – Offers plenty of power for everyday cooking and is quieter than most other internal blowers.

**Maximum 5-Minute "Booster" Blower Setting** – When you need nearly instant removal of smoke or odors, switching to "Booster" provides 5 minutes of maximum ventilating power, then automatically returns to previous blower setting.

**Passive Silencer** – Another quiet Elica innovation...special sound-absorbing insulation lines the interior of Menhir, for powerful ventilation with unsurpassed noise reduction.

**Patented Elica Control Ball** – A 1" diameter ball, hidden in plain sight, combines fashionable spherical form with function. A gentle touch to the right sets blower speed, to the left adjusts halogen light settings.

**Remote Control** – If the Control Ball is out of reach, Elica's cone-shaped brass remote device lets you adjust blower speed and light settings from anywhere in the room.

**Halogen Lighting** – Four 12V, 20W bulbs provide tasteful illumination. Two light intensities allow you to set just the right mood.

**Dishwasher-Safe Stainless Steel Mesh Filter** – Coordinates with stainless steel hood, and lasts longer than traditional aluminum mesh filters.

**Ducted or Recirculating Installations** – Standard ducted method filters the air to remove grease, then vents the air outside the home. Optional Recirculating installation will filter and purify the air, then recirculate it back into the home.

