



DESIGN DAVID LEWIS

Samurai

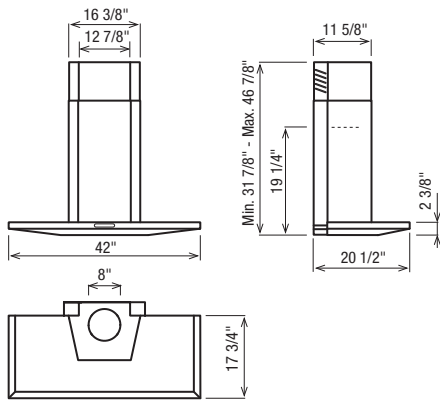
WALL-MOUNT CHIMNEY HOOD

elica
COLLECTION

Like its namesake, Samurai is a master of controlled power, ready to take on any challenge. A 42" wingspan, sharp edges and an aggressive forward pitch combine for a bold, contemporary image. The 4-speed blower and halogen lighting are controlled by a built-in and nearly invisible 1" Control Ball, or a cone-shaped brass remote device, which allows setting changes from anywhere in the room.



Samurai



MODEL#	FINISH	DIMENSIONS			SHIPPING LBS.
		WIDTH	DEPTH	HEIGHT	
ESMX42SS	Stainless Steel	42"	20 1/2"	2 3/8"	72.4

Hood Mounting Height Above Cooking Surface

GAS		ELECTRIC	
minimum	maximum	minimum	maximum
30"	34"	24"	30"

Chimney Height (based on recommended mounting heights listed above)

DUCTED		RECIRCULATING	
Gas min./max.	Electric min./max.	Gas min./max.	Electric min./max.
8'2" - 9'7"	7'8" - 9'3"	8'6" - 10'4"	8' - 10'

Blower Performance

SPEED LEVEL	AIRFLOW IN CFM (cubic feet per minute)		SOUND LEVEL (IN SONES)
	600 CFM	1100 CFM	
1	230	350	1.5
2	340	530	3.3
3	470	820	6.2
Booster	600	1100	9.0

Samurai Accessories

MODEL#	DESCRIPTION	SHIPPING LBS.
ESMRCK09	Recirculating Kit	5.5
EXXBLK01	600 CFM Internal Blower	22
EXXBLK02	1100 CFM Whisper In-Line Blower Kit	60.5



Electrical:
AC Input: 120V - 60Hz AC Power Max.: 450W at 4.0 Amps

4-Speed Blower Options – 600 CFM Internal or 1100 CFM “Whisper In-Line.” Our 600 CFM internal blower has plenty of power for everyday cooking, and is quieter than most other internal blowers. However, if your passions for cooking and entertaining require “professional-grade” ventilating power without the distracting roar, the 1100 CFM blower is designed to be installed in an attic or elsewhere outside the kitchen, so you can speak in whispers and still be heard.

Maximum 5-Minute “Booster” Blower Setting – When you need nearly instant removal of smoke or odors, switching to “Booster” provides 5 minutes of maximum ventilating power, then automatically returns to previous blower setting.

Passive Silencer – Another quiet Elica innovation...special sound-absorbing insulation lines the interior of Samurai, for powerful ventilation with unsurpassed noise reduction.

Patented Elica Control Ball – A 1" diameter ball, hidden in plain sight, combines fashionable spherical form with function. A gentle rotation to the right sets blower speed, to the left adjusts halogen light settings.

Remote Control – If the Control Ball is out of reach, Elica’s cone-shaped brass remote device lets you adjust blower speed and light settings from anywhere in the room.

Halogen Lighting – Two 12V, 20W bulbs provide tasteful illumination. Two light intensities allow you to set just the right mood.

Dishwasher-Safe Stainless Steel Mesh Filter – Coordinates with stainless steel hood, and lasts longer than traditional aluminum mesh filters.

Ducted or Recirculating Installations – Standard ducted method filters the air to remove grease, then vents the air outside the home. Optional Recirculating installation will filter and purify the air, then recirculate it back into the home.