



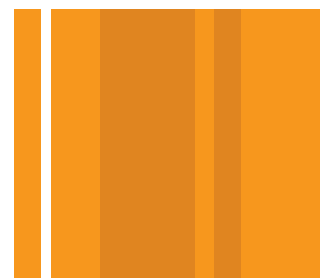
DESIGN DAVID LEWIS

# Bogart

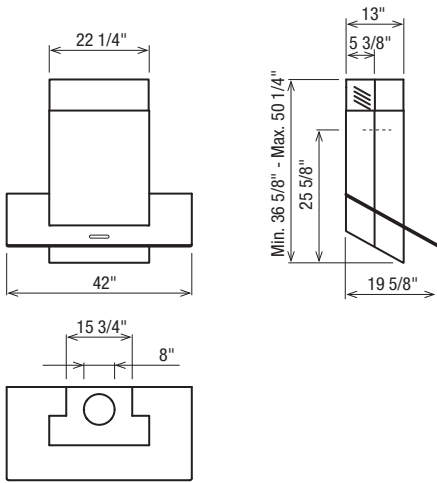
WALL-MOUNT CHIMNEY HOOD

A new level of perfection has been achieved with Bogart, which is a masterpiece of intersecting planes and angles. Some detect a tip of the hat to middle 20th century Hollywood, where others simply see contemporary genius. Hidden in plain sight is a 1" diameter ball that controls multi-level halogen lighting and a 4-speed blower. A cone-shaped brass remote device allows control from anywhere in the kitchen.

**elica**  
COLLECTION



# Bogart



| MODEL#   | FINISH                    | DIMENSIONS |         |        | SHIPPING LBS. |
|----------|---------------------------|------------|---------|--------|---------------|
|          |                           | WIDTH      | DEPTH   | HEIGHT |               |
| EBGX42SS | Stainless Steel and Glass | 42"        | 19 5/8" | -      | 99.6          |

### Hood Mounting Height Above Cooking Surface

| GAS     |         | ELECTRIC |         |
|---------|---------|----------|---------|
| minimum | maximum | minimum  | maximum |
| 30"     | 34"     | 24"      | 30"     |

### Chimney Height (based on recommended mounting heights listed above)

| DUCTED        |                    | RECIRCULATING |                    |
|---------------|--------------------|---------------|--------------------|
| Gas min./max. | Electric min./max. | Gas min./max. | Electric min./max. |
| 8'6" - 9'5"   | 8' - 9'1"          | 8'6" - 9'11"  | 8' - 9'7"          |

### Blower Performance

| SPEED LEVEL | AIRFLOW IN CFM (cubic feet per minute) |          | SOUND LEVEL (IN SONES) |
|-------------|--|----------|------------------------|
|             | 600 CFM                                | 1100 CFM |                        |
| 1           | 230                                    | 350      | 1.5                    |
| 2           | 340                                    | 530      | 3.3                    |
| 3           | 470                                    | 820      | 6.2                    |
| Booster     | 600                                    | 1100     | 9.0                    |

### Bogart Accessories

| MODEL#   | DESCRIPTION                         | SHIPPING LBS. |
|----------|-------------------------------------|---------------|
| EBGRCK08 | Recirculating Kit                   | 5.7           |
| EXXBLK01 | 600 CFM Internal Blower             | 22            |
| EXXBLK02 | 1100 CFM Whisper In-Line Blower Kit | 60.5          |
| EBGCEK12 | Chimney Extension Kit               | 48            |



### Electrical:

AC Input: 120V - 60Hz AC Power Max.: 450W at 4.0 Amps

**4-Speed Blower Options – 600 CFM Internal or 1100 CFM “Whisper In-Line.”** Our 600 CFM internal blower has plenty of power for everyday cooking, and is quieter than most other internal blowers. However, if your passions for cooking and entertaining require “professional-grade” ventilating power without the distracting roar, the 1100 CFM blower is designed to be installed in an attic or elsewhere outside the kitchen, so you can speak in whispers and still be heard.

**Maximum 5-Minute “Booster” Blower Setting** – When you need nearly instant removal of smoke or odors, switching to “Booster” provides 5 minutes of maximum ventilating power, then automatically returns to previous blower setting.

**Passive Silencer** – Another quiet Elica innovation...special sound-absorbing insulation lines the interior of Bogart, for powerful ventilation with unsurpassed noise reduction.

**Patented Elica Control Ball** – A 1" diameter ball, hidden in plain sight, combines fashionable spherical form with function. A gentle rotation to the right sets blower speed, to the left adjusts halogen light settings.

**Remote Control** – If the Control Ball is out of reach, Elica’s cone-shaped brass remote device lets you adjust blower speed and light settings from anywhere in the room.

**Halogen Lighting** – Two 12V, 20W bulbs provide tasteful illumination. Two light intensities allow you to set just the right mood.

**Dishwasher-Safe Stainless Steel Mesh Filter** – Coordinates with stainless steel hood, and lasts longer than traditional aluminum mesh filters.

**Ducted or Recirculating Installations** – Standard ducted method filters the air to remove grease, then vents the air outside the home. Optional Recirculating installation will filter and purify the air, then recirculate it back into the home.