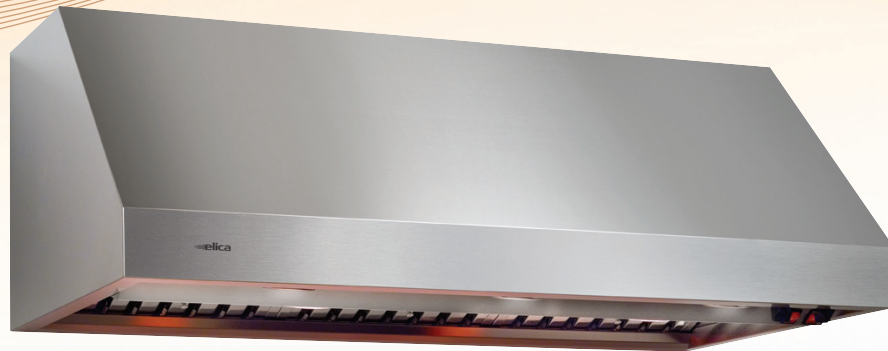


Calabria



WALL-MOUNT "SEMI-PRO" HOOD

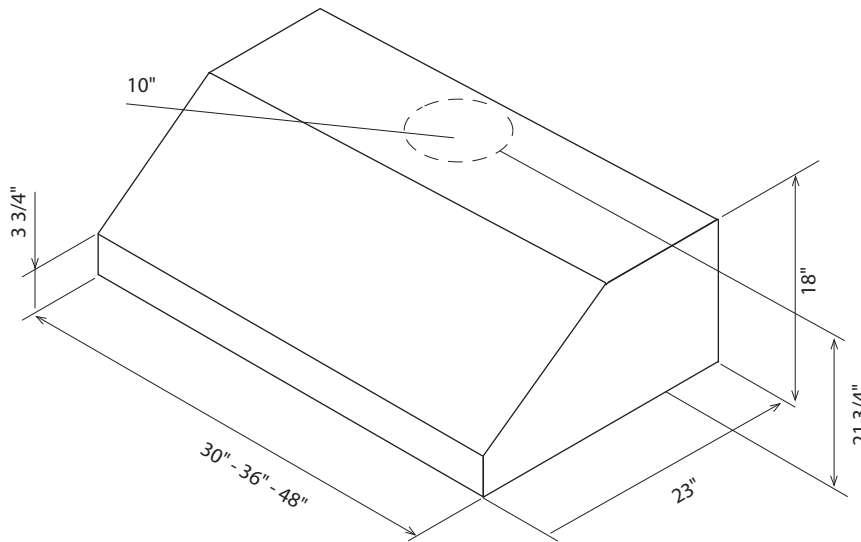
For homeowners who are passionate about the culinary arts, the stainless steel Calabria provides the look and performance you expect from a professional-grade unit. Calabria is available in 30" and 36" widths, plus a 48" wide model that's equipped with an extra-powerful 1100 CFM internal blower. Calabria offers heavy-duty rotating switches that control 4 blower speeds and halogen lighting with 3 light intensities plus professional high-airflow baffle filters. To complement your professional kitchen, a variety of accessories are available, including stainless steel Backsplashes with Warming Racks, plus Heat Lamps equipped with powerful 175-watt bulbs.

FEATURES

- **Mechanical Rotating Switch Controls**
- **600 CFM 4-Speed Internal Blower**
(with 30" and 36" unit)
- **1100 CFM 4-Speed Internal Blower**
(with 48" unit)
- **2 Halogen Lamps** with three light intensities (120V 50W bulbs included with 30" and 36" units)
- **3 Halogen Lamps** with three light intensities (120V 50W bulbs included with 48" unit)



- **Professional Baffle Filters** (2 with 30" unit, 3 with 36" unit and 4 with 48" unit)
Made of heavier-gauge steel, these top-of-the line filters offer "commercial kitchen" performance and durability. Specially-angled stainless steel "baffled" channels use the force of gravity to collect and move a higher volume of grease than mesh filters. They also require less cleaning and are unlikely to ever need replacement.
- **10" Round Duct Transition**
- **One-Way No Return Valve** eliminates outside air drafts.



MODEL NUMBER	FINISH	WIDTH	DIMENSIONS DEPTH	HEIGHT	SHIPPING WEIGHT
ECL630SS	Stainless Steel	30"	23"	18"	102 lbs
ECL636SS	Stainless Steel	36"	23"	18"	110 lbs
ECL148SS	Stainless Steel	48"	23"	18"	147 lbs

BLOWER PERFORMANCE

SPEED LEVEL	AIR FLOW IN CFM (CUBIC FEET PER MINUTE)		SOUND LEVEL (IN SONES)
	600 CFM BLOWER*	1100 CFM BLOWER**	
1	205	375	1.9
2	350	640	3.4
3	510	940	6
4	600	1100	8

* 600 CFM Blower: ECL630SS (30") and ECL636SS (36")

** 1100 CFM Blower: ECL148SS (48")

CALABRIA ACCESSORIES

MODEL NUMBER	DESCRIPTION	SHIPPING WEIGHT
EXXCEK01	6" Chimney Extension Kit for ECL630SS (30")	8.8 lbs
EXXCEK02	6" Chimney Extension Kit for ECL636SS (36")	13.8 lbs
ECLCEK05	6" Chimney Extension Kit for ECL148SS (48")	17.7 lbs
EXXCEK03	12" Chimney Extension Kit for ECL630SS (30")	13.2 lbs
EXXCEK04	12" Chimney Extension Kit for ECL636SS (36")	18.2 lbs
ECLCEK06	12" Chimney Extension Kit for ECL148SS (48")	28.7 lbs
ECLHLK30	Heat Lamp Kit with 2 175W Bulbs for ECL630SS (30")	15.5 lbs
ECLHLK36	Heat Lamp Kit with 2 175W Bulbs for ECL636SS (36")	16.0 lbs
ECLHLK48	Heat Lamp Kit with 2 175W Bulbs for ECL148SS (48")	18.2 lbs
EXXBK30	Stainless Steel Backsplash and Warming Racks for ECL630SS (30")	26.5 lbs
EXXBK36	Stainless Steel Backsplash and Warming Racks for ECL636SS (36")	30.9 lbs
ECLBSK48	Stainless Steel Backsplash and Warming Racks for ECL148SS (48")	39.7 lbs



ELECTRICAL:

600 CFM BLOWER: AC Input: 120V - 60Hz, AC Power Max.: 550W at 4.6 Amps

1100 CFM BLOWER: AC Input: 120V - 60Hz, AC Power Max.: 900W at 8.7 Amps (+350W at 2.9 Amps with optional Heat Lamp Kit)