

Sardinia



WALL-MOUNT "SEMI-PRO" HOOD

Available in 30" and 36" widths and only 10" high, the Sardinia is a streamlined version of the full-size Calabria model. Semi-Pro Sardinia features include a powerful 600 CFM blower, high-airflow Stainless Steel Baffle Slot grease filters, halogen lighting with 2 light intensities and stylish multi-function LCD controls for convenience and safety. Sardinia also offers a host of pro-grade accessories, including stainless steel Backsplashes with Warming Racks plus powerful 175-watt Heat Lamps. Sardinia is designed for standard ducted installation, but can be installed as a recirculating system using the Recirculating Kit, available as an accessory.

FEATURES

• **Advanced Electronic Touch Controls**

State-of-the-art electronics deliver maximum user convenience and control. LCD function display with elegant blue illumination combined with low-profile, easy-to-clean touchpads is your interface with a multi-function control system, including...

- On/Off control
- Programmable timer and buzzer
- Four blower speeds
- Clock
- **HeatGuard™** automatically adjusts blower speed if heat exceeds 158°F for safety and convenience
- Two light intensities
- Filter Saturation Monitor detects excessive levels within both grease and charcoal filters

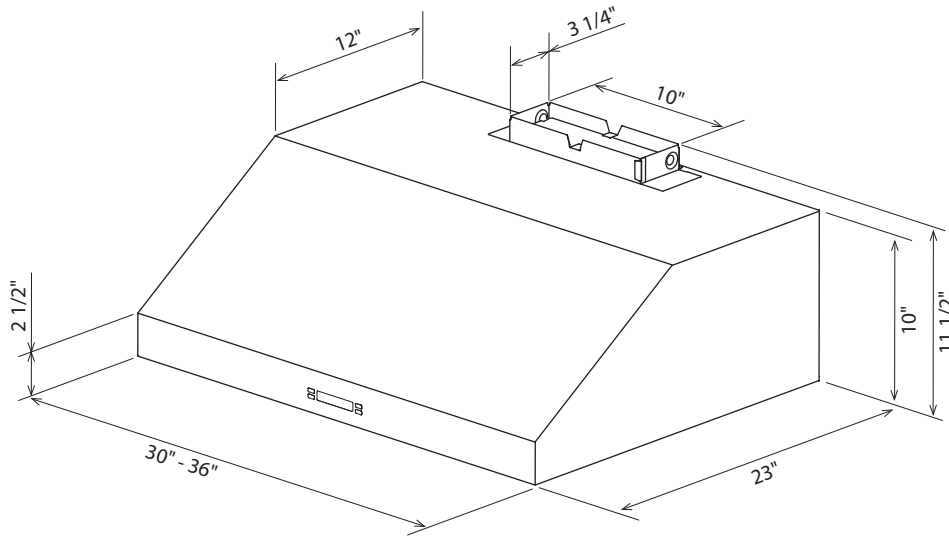


• **600 CFM 4-Speed Internal Blower**

• **2 Halogen Lamps** with two light intensities (120V 50W bulbs included)



- **Stainless Steel Baffle Slot Filters** - The patented, innovative design of these commercial-grade filters capture and hold larger quantities of grease than mesh filters, without affecting blower performance or increasing noise levels, and require less frequent cleaning.
- **10" x 3-1/4" Duct Transition** (Top or Rear)
- **One-Way No Return Valve** eliminates outside air drafts.



MODEL NUMBER	FINISH	WIDTH	DIMENSIONS DEPTH	HEIGHT	SHIPPING WEIGHT
ESR630SS	Stainless Steel	30"	23"	10"	49 lbs
ESR636SS	Stainless Steel	36"	23"	10"	55 lbs

BLOWER PERFORMANCE

SPEED LEVEL	AIRFLOW IN CFM (CUBIC FEET PER MINUTE)	SOUND LEVEL (IN SONES)
1	170	1.6
2	280	4.0
3	440	7.0
4	600	8.6

SARDINIA ACCESSORIES

MODEL NUMBER	DESCRIPTION	SHIPPING WEIGHT
ESRRCK07	Recirculating Kit for ESR630SS (30")	22.1 lbs
ESRRCK08	Recirculating Kit for ESR636SS (36")	26.5 lbs
EXXRCK01	CFM Reduction Kit	6.6 lbs
EXXTRK08	8" Round Transition Kit (Top)	4.4 lbs
EXXCEK01	6" Chimney Extension Kit for ESR630SS (30")	8.8 lbs
EXXCEK02	6" Chimney Extension Kit for ESR636SS (36")	13.8 lbs
EXXCEK03	12" Chimney Extension Kit for ESR630SS (30")	13.2 lbs
EXXCEK04	12" Chimney Extension Kit for ESR636SS (36")	18.2 lbs
ESRHLLK30	Heat Lamp Kit with 2 175W Bulbs for ESR630SS (30")	15.5 lbs
ESRHLLK36	Heat Lamp Kit with 2 175W Bulbs for ESR636SS (36")	16.0 lbs
EXXBK30	Stainless Steel Backsplash and Warming Racks for ESR630SS (30")	26.5 lbs
EXXBK36	Stainless Steel Backsplash and Warming Racks for ESR636SS (36")	30.9 lbs



ELECTRICAL:

AC Input: 120V - 60Hz, AC Power Max.: 550W at 4.6 Amps
(+350W at 2.9 Amps with optional Heat Lamp Kit)