

Puccini



DECORATIVE CHIMNEY HOOD

Puccini truly combines art and technology in the kitchen! Clearly the most visually compelling and innovative Elica-brand kitchen ventilation system. This 36"-wide stainless steel hood angles upward from the chimney, with a dramatically styled smoked-glass center panel. This design delivers superior performance and energy savings with Elica's "perimeter ventilation" system. High-tech multi-function LCD controls deliver added luxury, convenience and safety. Puccini is designed for standard ducted installation, but can also be installed as a recirculating system, using the Recirculating Kit, available as an accessory.

FEATURES

• **Advanced Electronic Touch Controls**

State-of-the-art electronics deliver maximum user convenience and control. LCD function display with elegant blue illumination combined with low-profile, easy-to-clean touchpads is your interface with a multi-function control system, including...

- On/Off control
- Programmable timer and buzzer
- Four blower speeds
- Clock
- **HeatGuard™** automatically adjusts blower speed if heat exceeds 158°F for safety and convenience
- Two light intensities
- Filter Saturation Monitor detects excessive levels within both grease and charcoal filters

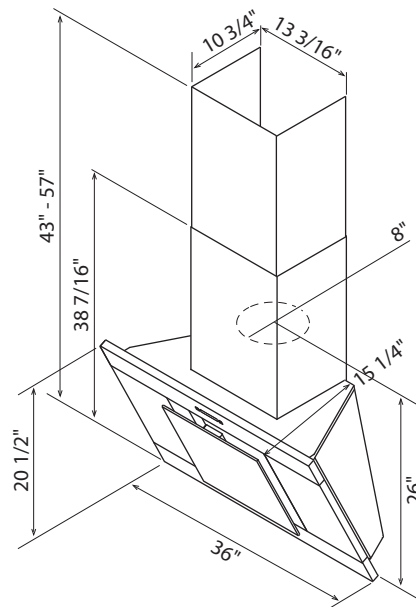


• **Perimeter Ventilation System**



The innovative glass "face board" placed over the filter and motor intentionally restricts airflow, and directs it around the perimeter of the face board. This increases suction power by 40% without increasing blower speed or energy consumption. And, the aerodynamic shape and position of the face board produces less turbulence and noise than traditional ventilation systems.

- **600 CFM 4-Speed Internal Blower**
- **2 Halogen Lamps** with two light intensities (12V 20W bulbs included)
- **Dishwasher-Safe Anodized Aluminum Mesh Filter**
- **Telescopic Chimney Extension** – For ceiling heights 8' 8" to 10' 3"
- **8" Round Duct Transition Kit**
- **One-Way No Return Valve** eliminates outside air drafts.



MODEL NUMBER	FINISH	WIDTH	DIMENSIONS DEPTH	HEIGHT	SHIPPING WEIGHT
EPC636SS	Stainless Steel & Glass	36"	15-1/4"	20-1/2"	86 lbs

HOOD MOUNTING HEIGHT ABOVE COOKING SURFACE

GAS		ELECTRIC	
minimum	maximum	minimum	maximum
30"	34"	24"	30"

CHIMNEY HEIGHT (based on recommended mounting heights listed above)

DUCTED		RECIRCULATING	
Gas min./max.	Electric min./max.	Gas min./max.	Electric min./max.
9' 2" - 10' 3"	8' 8" - 9' 11"	8' 8" - 10' 2"	9' 2" - 10' 6"

BLOWER PERFORMANCE

SPEED LEVEL	AIRFLOW IN CFM (CUBIC FEET PER MINUTE)	SOUND LEVEL (IN SONES)
1	150	1.0
2	260	2.8
3	470	5.4
4	600	7.2

PUCCINI ACCESSORIES

MODEL NUMBER	DESCRIPTION	SHIPPING WEIGHT
EXXRCK06	Recirculating Kit	6.6 lbs
EXXRCK01	CFM Reduction Kit	6.6 lbs

UL **cUL** **us** **ELECTRICAL:**
AC Input: 120V - 60Hz, AC Power Max.: 490W at 4.1 Amps