

quick start guide

English

RF4287HA

Product features



Surround Multi Flow

Uniform cooling for each shelf and even in corner in fresh food compartment by centerpositioned fan and duct with multiple flow effluences.



Counter Height Design

The Independent Mid Drawer(Flex zone) is counter Height to fit contemporary kitchen.



Twin Cooling System

The refrigerator and the freezer have two evaporators. Given this independent system, the freezer and the refrigerator are cooled individually as required and are, therefore, more efficient. Food odor from the refrigerator does not affect food in the freezer due to separate air flow circulation.



Two Lever Dispenser

Two lever dispenser can be get ice or water easily.



Flex Zone

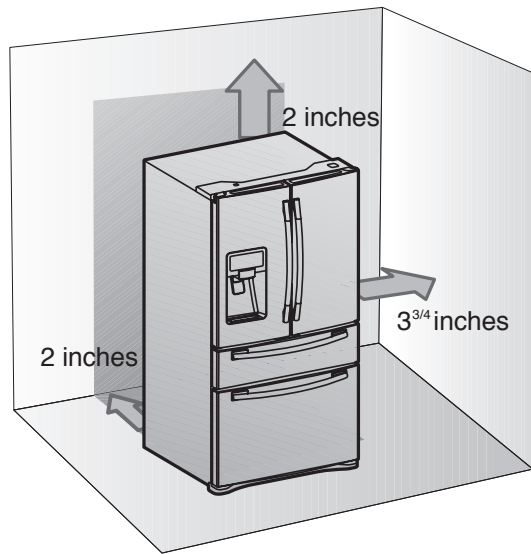
The Flex Zone is a full-width independent mid drawer with adjustable temperature control.



Secure Auto Close Door System

- Secure Auto Close Door System
- Cool tight doors
- Energy saving
- Preventing sweat on fridge doors

The Installation Space



Selecting the best location for the refrigerator

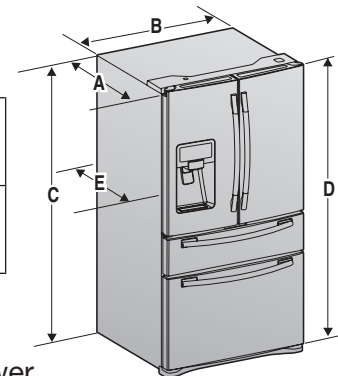
- A location with easy access to the water supply.
- A location without direct exposure to sunlight.
- A location with a leveled floor.
- A location with enough space for the refrigerator doors to open easily.
- Allow sufficient space for air circulation of the internal cooling system.

If the refrigerator does not have enough space, the internal cooling system may not work properly. If your refrigerator has an ice maker, allow extra space at the back for the water line connections. When you install the refrigerator next to a fixed wall, you need a minimum clearance is 3 3/4" (95mm) between the refrigerator and wall to allow the door to swing open.

First thing! Make sure that you can easily move your refrigerator to its final location by measuring doorways (both width and height), thresholds, ceilings, stairways, etc.

The following chart details the exact height and depth of this Samsung French Door Refrigerator.

Model	Depth "A"	Width "B"	Height "C"	Overall Height "D"	Depth "E"
RF4287HA	33.78" (85.8 cm)	35.75" (90.8 cm)	66.19" (168 cm)	69.88" (177.4 cm)	36.22" (92 cm)

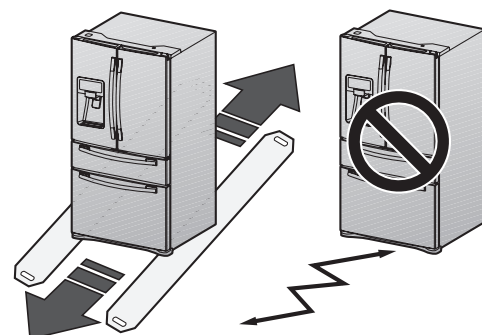


- Allow clearance to the right, left, back and top when installing. This will help reduce power consumption and keep your energy bills lower.
- Do not install the refrigerator where the temperature will go below 50°F (10°C).
- Do not locate the refrigerator where it may become wet.



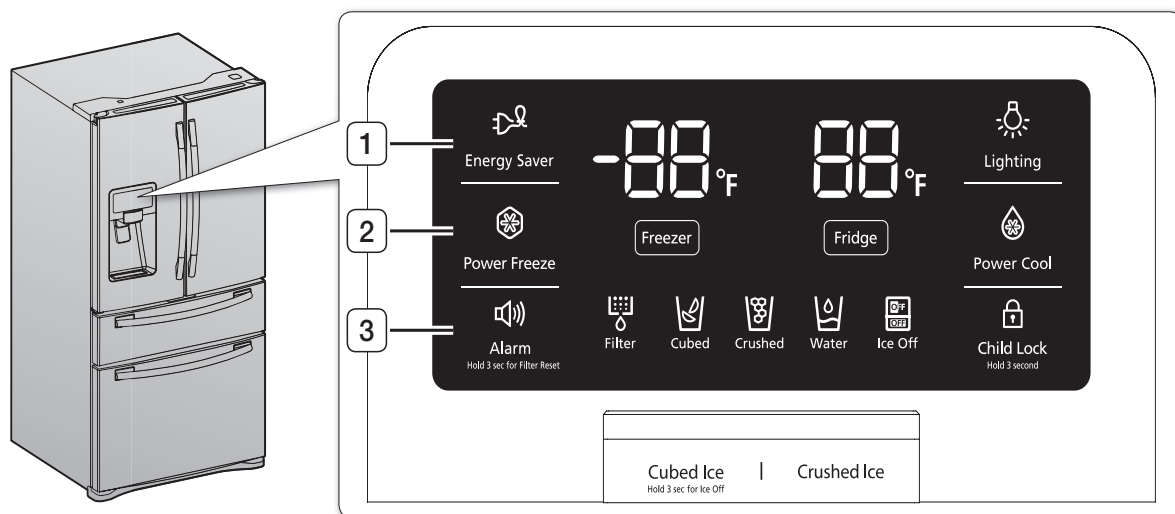
FLOORING

For proper installation, this refrigerator must be placed on a leveled surface of hard material that is the same height as the rest of the flooring. This surface should be strong enough to support a fully loaded refrigerator, or approximately 359lbs (165kg). To protect the finish of the flooring, cut a large section of the cardboard carton and place it under the refrigerator where you are working. When moving a refrigerator, you need to pull and push it straight forwards or back. Do not wiggle it from side to side.



Operating your French Door Refrigerator (RF4287 MODEL)

USING THE CONTROL PANEL



(1) Energy Saver

Press the **Energy Saver** button for better energy efficiency. The **Energy Saver** icon lights up when you press the **Energy Saver** button. The **Energy Saver** function is automatically set to "ON" when power is supplied to the refrigerator. If condensation or water drops appear on the doors, turn the **Energy Saver** mode off.

(2) Power Freeze / Cooling Off Mode

The **Power Freeze** function substantially speeds up the freezer compressor, causing the freezer to cool down rapidly to a temperature you choose. When you press the **Power Freeze** button, the **Power Freeze** icon lights up. **Power Freeze** is useful if you need to quick freeze an item, to make a large quantity of ice, or to cool the freezer rapidly if it has warmed dramatically (for example, if the door was left open). To turn off **Power Freeze**, press the **Power Freeze** button again. Power Freeze turns off automatically after 21/2 hours to decrease energy consumption. **Cooling Off mode** (also called Shop mode), is designed for use by retailers when they are displaying refrigerators on the shop floor. In **Cooling Off mode**, the refrigerator's fan motor and lights work normally, but the compressors do not run, and the refrigerator and freezer do not get cold. To start **Cooling Off mode**, press and hold the Energy Saver button and the Power Freeze button for 3 seconds during normal operation. The refrigerator chime sounds and the temperature display flashes OF OF. To cancel **Cooling Off mode**, press and hold the Energy Saver and the Power Freeze buttons again for 3 seconds.

(3) Alarm / hold 3 sec for Filter reset

The **Alarm/hold 3 sec for Filter Reset** button serves two purposes:

- To turn the door open alarm on and off
- To reset the water filter life indicator.


1) Door Alarm Function

If the door alarm is set to On, an alarm beeps if any refrigerator door is left open for more than three minutes. The beeping stops when you close the door. The door alarm function is pre-set to On in the factory. You can turn it off by pressing and then releasing the Alarm/hold button. You can turn it back on in the same fashion. The icon lights up when the function is on.

2) Water Filter Life Indicator Function

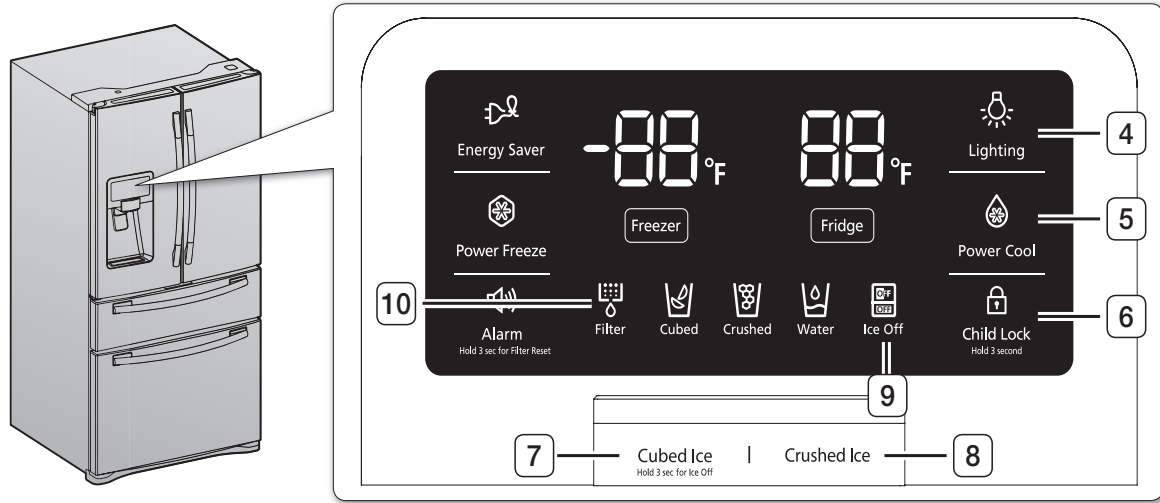
After you replace the water filter, press and hold the Alarm/hold 3 sec for Filter Reset button to re-set the water filter life indicator. When you re-set the water filter life indicator, the Filter icon on the panel turns blue, green, or yellow.

The Filter icon will turn red to let you know it is time to change the water filter after six months (about 300 gallons).

 **Some areas have large amounts of lime in their water, which causes the water filter to clog more quickly. If this is the case in your area, you will have to change the filter more frequently than every six months.**

Operating your French Door Refrigerator (RF4287 MODEL)

USING THE CONTROL PANEL



(4) Lighting	Pressing the Lighting button turns on the Dispenser LED lamp (under the display) in continuous mode so that it stays on continuously. The button also lights up. If you want the Dispenser lamp to come on only when someone uses the dispenser, press the Lighting button to turn the continuous mode off.
(5) Power Cool	The Power Cool function substantially speeds up the refrigerator compressor, causing the refrigerator to cool down rapidly to a temperature you choose. When you press the Power Cool button, the Power Cool icon lights up. Power Cool is useful if you need to quickly cool items or need to cool the refrigerator rapidly if it has warmed dramatically (for example, if the door was left open). To turn off Power Cool , press the Power Cool button again. Power Cool turns off automatically after 2 1/2 hours to decrease energy consumption. When you turn on Power cool, the refrigerator's compressor speeds up and is louder than during normal operation.
(6) Child Lock	Pressing the Child Lock button locks the Display panel and Dispenser buttons so the buttons can not be used. The Child Lock icon lights up to indicate you've activated the Child Lock function. To cancel the Child Lock function, press the Child Lock button again. If you suddenly can not use the control Panel, check whether the child Lock function is on.
(7) Cubed Ice (8) Crushed Ice	Press the Cubed Ice or Crushed Ice button to select the type of ice you want dispensed. Each time you press the button, the cubed and crushed ice modes alternate and the Cubed or Crushed ice icon lights up, indicating your selection. If you don't need ice, turn the function off to save on water and energy consumption (See Ice Off below).
(9) Ice Off	Press the Cubed Ice (7) button 3 seconds, if you don't want to make more ice. The icon will light up and the Ice-Maker stops making ice. We recommend you stop ice making if the following occur: - there are enough ices in the ice bucket. - you want to save water and energy. - water is not being supplied to the refrigerator. If the ice maker function is on, and the water line is not connected, there will be a water valve noise from back of the unit. Press the cubed ice (7) button until the ice off indicator (9) illuminates.
(10) Filter	Water filter usage 1. Normally the filter indicator is blue, yellow, or green when you purchase or install your refrigerator, depending on your model. 2. After you use about 270 gallons of water, the filter indicator turns Light Pink. (about 5month) 3. After you use about 300 gallons of water, the filter indicator turns Red. (about 6month) 4. Remove the old water filter and install new one when the filter indicator is red. Reset the filter indicator by pressing Alarm/Hold 3 sec for Filter Reset button for 3sec. The filter indicator turns blue, yellow, or green when you reset the indicator. If water is not dispensing or dispensing slowly, you need to replace the water filter because the water filter is clogged. Some areas have large amounts of lime in their water, which causes the water filter to clog more quickly.

Operating your French Door Refrigerator

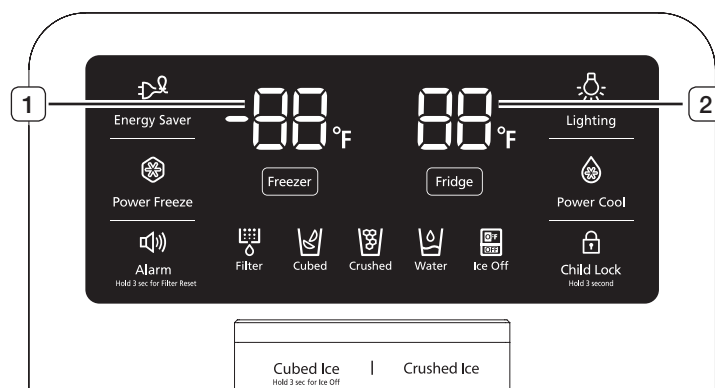
(RF4287 MODEL)

USING THE DIGITAL DISPLAY

Freezer Temp (1) indicates the current freezer temperature.

Fridge Temp (2) indicates the current refrigerator temperature.

If you do not press any button, freezer & fridge temperature indicator will turn off in a few seconds. If any button is pressed, the display will light up again.



CONTROLLING THE TEMPERATURE

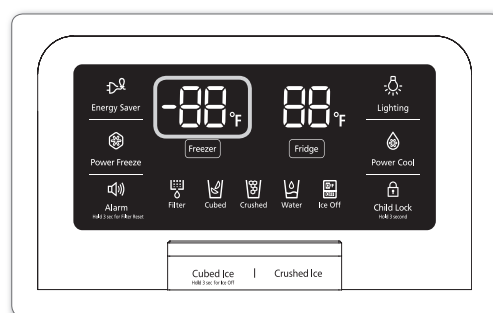
Basic temperature of Freezer and Refrigerator compartments

The basic temperature and/or recommended temperatures of the Freezer and Refrigerator Compartments are -2°F and 38°F respectively.

If the temperature of Freezer and Refrigerator Compartments are too high or low, adjust the temperature manually.

Controlling the Freezer temperature

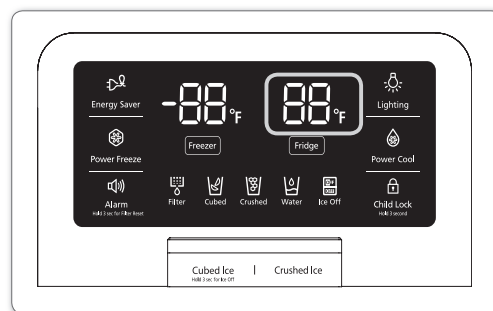
The Freezer temperature can be set between -8°F and 8°F to suit your particular needs. Press the Freezer button repeatedly until the desired temperature is shown in the temperature display. The temperature will move 2°F degrees with each press ($-2^{\circ}\text{F} \rightarrow -4^{\circ}\text{F} \rightarrow -6^{\circ}\text{F} \rightarrow -8^{\circ}\text{F} \rightarrow 8^{\circ}\text{F} \rightarrow 6^{\circ}\text{F} \rightarrow 4^{\circ}\text{F} \rightarrow 2^{\circ}\text{F} \rightarrow 0^{\circ}\text{F} \rightarrow -2^{\circ}\text{F}$). Keep in mind that foods like ice cream may melt at 4°F . The temperature display will move sequentially from -8°F to 8°F . Five seconds after the new temperature is set, the display will show the actual current freezer temperature until the new temperature is reached.



Recommend Temp (Freezer) : -2°F

Controlling the fridge temperature

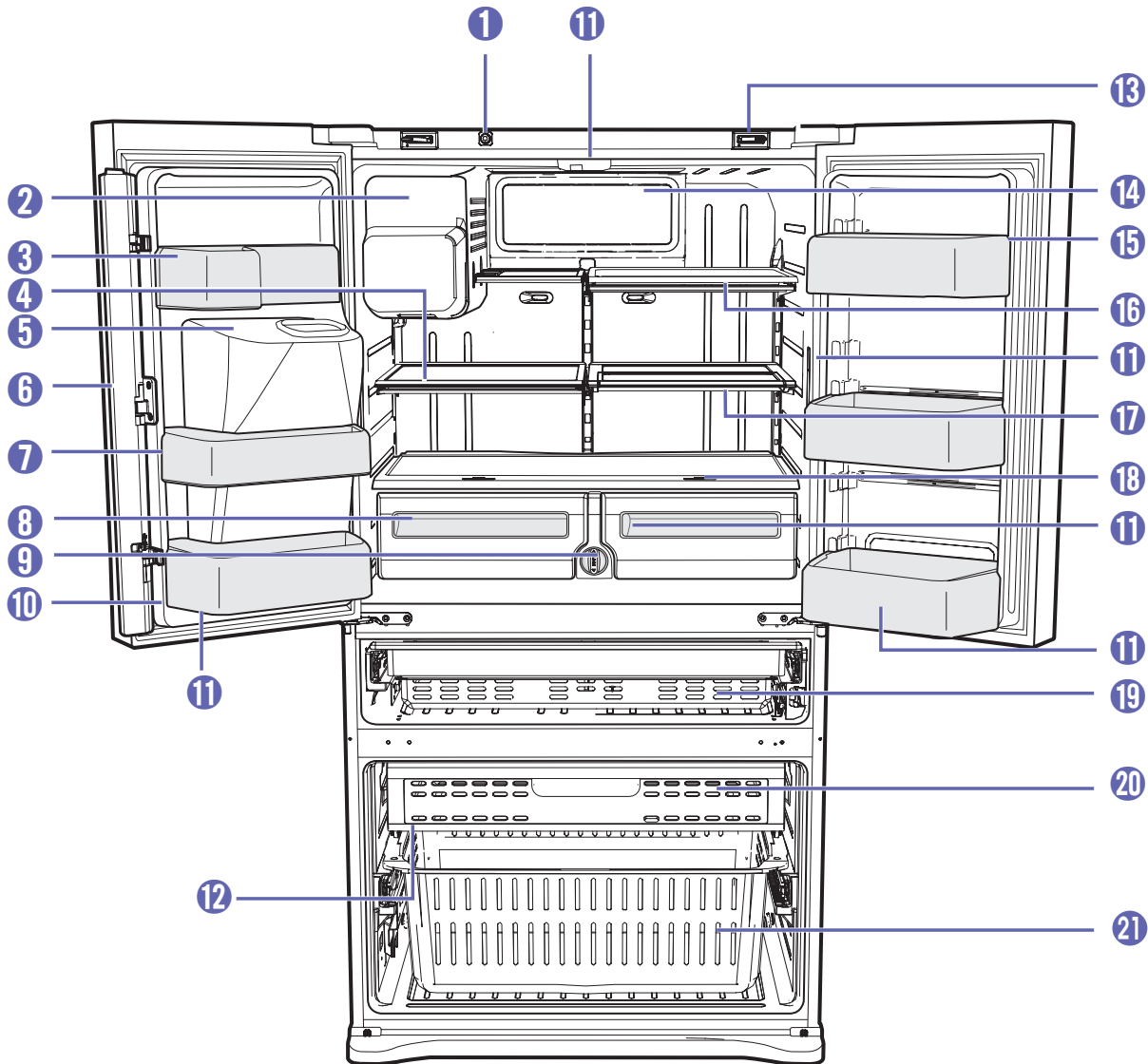
The fridge temperature can be set between 46°F and 34°F to suit your particular needs. Press the Fridge button repeatedly until the desired temperature is shown in the temperature display. The temperature will move 2°F degrees with each press ($38^{\circ}\text{F} \rightarrow 36^{\circ}\text{F} \rightarrow 34^{\circ}\text{F} \rightarrow 46^{\circ}\text{F} \rightarrow 44^{\circ}\text{F} \rightarrow 42^{\circ}\text{F} \rightarrow 40^{\circ}\text{F} \rightarrow 38^{\circ}\text{F}$). The temperature control process for the Fridge works just like the Freezer process. Press the Fridge button to set your desired temperature. After a few seconds, the Fridge will begin adjusting towards the newly set temperature. This will be reflected in the digital display.



Recommend temp (Fridge) : 38°F

Names and basic functions

NAME OF EACH COMPONENT



1. Interlocking switch	9. Water Filter	17. Quick-Space Glass Shelf
2. FF Ice-Maker	10. Left Door Bins	18. Cover Veg
3. Dis Door Bins	11. Light	19. Convertible Room
4. Slide-Shelf	12. Tilting Pocket	20. Auto Pull Out Drawer
5. Cap Chute	13. Door Closer	21. Freezer Drawer Bin
6. Vertical Hinged Section	14. Cover Eva (Light)	
7. Mid Door Bins Vegetable & Fruit	15. Right Door Bins	
8. Drawers	16. Tempered glass shelves	

Troubleshooting

PROBLEM	SOLUTION
The refrigerator does not work at all or it does not chill sufficiently.	<ul style="list-style-type: none"> • Check that the power plug is properly connected. • Check if the set temperature on the digital display is warmer than the freezer or fridge inner temperature. If it is, set the refrigerator colder. • Is the refrigerator in direct sunlight or located near a heat source? • Is the back of the refrigerator too close to the wall, preventing proper ventilation?
The food in the fridge is frozen.	<ul style="list-style-type: none"> • Check if the set temperature on the digital display is too low. • Try setting the refrigerator to a warmer temperature. • Is the temperature in the room too low? Set the refrigerator warmer. • Did you store the food which is juicy in the coldest part of the refrigerator? Try moving those items to the other shelves in fridge instead of keeping them in the colder areas or bins.
You hear unusual noise or sounds.	<ul style="list-style-type: none"> • Check that the refrigerator is level and stable. • Is the back of the refrigerator too close to the wall, preventing proper ventilation? Try moving the back of the refrigerator at least 2 inches from the wall. • Was anything dropped behind or under the refrigerator? • A “ticking” sound is heard from inside the refrigerator. It is normal and occurs because various accessories are contracting or expanding according to the temperature of the refrigerator interior.
The cabinet-door sealing area of the appliance is hot and condensation is occurring.	<ul style="list-style-type: none"> • Some heat is normal as anti-condensators are installed in the vertical hinged section of the refrigerator to prevent condensation. • Is the refrigerator door ajar? Condensation can occur when you leave the door open for a long time. • If it sounds as if something is hitting something else inside the refrigerator, this is normal. The sound is due to the compressor is operating highly.
Ice Maker is not producing ice.	<ul style="list-style-type: none"> • Did you wait for 12 hours after installation of the water supply line before making ice? • Is the water line connected and the shut-off valve opened? • Did you manually stop the ice making function? • Is the freezer temperature too warm? Try setting the freezer temperature lower.
You can hear water bubbling in the refrigerator.	<ul style="list-style-type: none"> • This is normal. The bubbling comes from refrigerant circulating through the refrigerator.
There is a bad smell in the refrigerator.	<ul style="list-style-type: none"> • Check for spoiled food. • Foods with strong odors (for example, fish) should be tightly covered. • Clean out your freezer periodically and throw away any spoiled or suspicious food.
Frost forms on the walls of the freezer.	<ul style="list-style-type: none"> • Is the air vent blocked? Remove any obstructions so air can circulate freely. • Allow sufficient space between the stored foods for efficient air circulation. • Is the freezer drawer closed properly?
Water dispenser is not functioning.	<ul style="list-style-type: none"> • Is the water line connected and the shut-off valve opened? • Has the water supply line tubing been crushed or kinked? • Make sure the tubing is free and clear of any obstruction. • Is the water tank frozen because the fridge temperature is too low? Try selecting a warmer setting on the Digital display.
Auto close system does not work with the freezer door.	<ul style="list-style-type: none"> • Is there an imbalance between the right and left parts of the door? • Open and close the door smoothly 1~2 times. After you do this, the auto close system usually works properly again. • Try opening the door smoothly to avoid unbalancing the right part and the left part of the door.