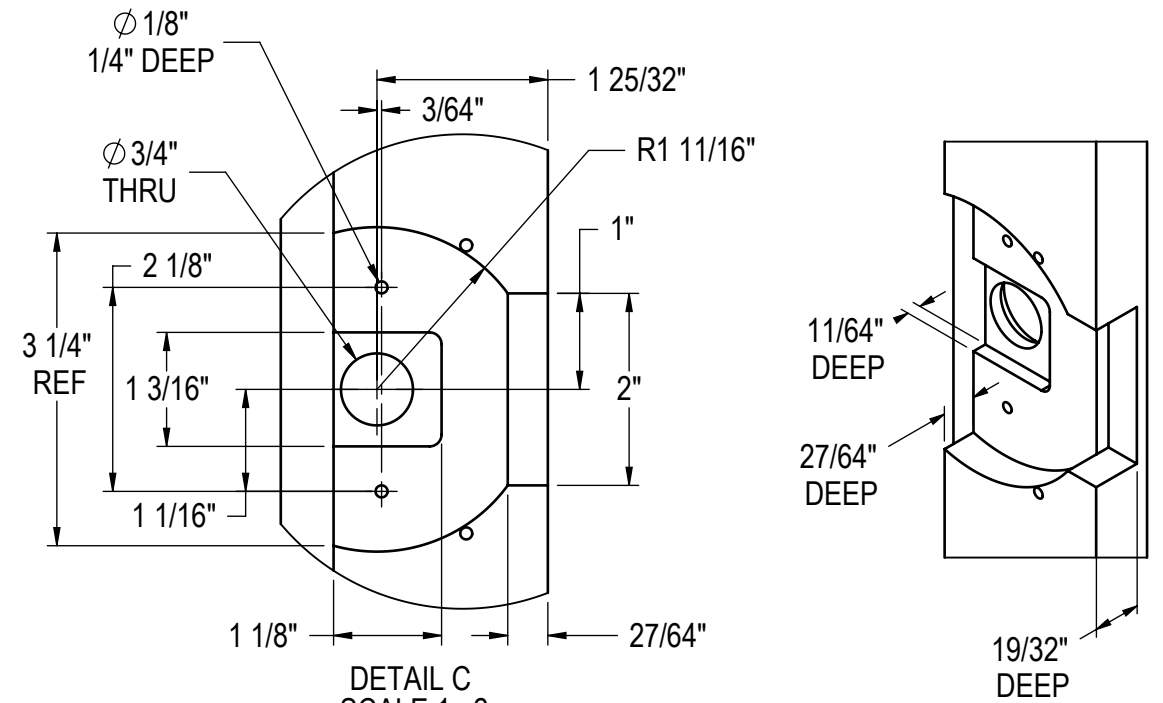
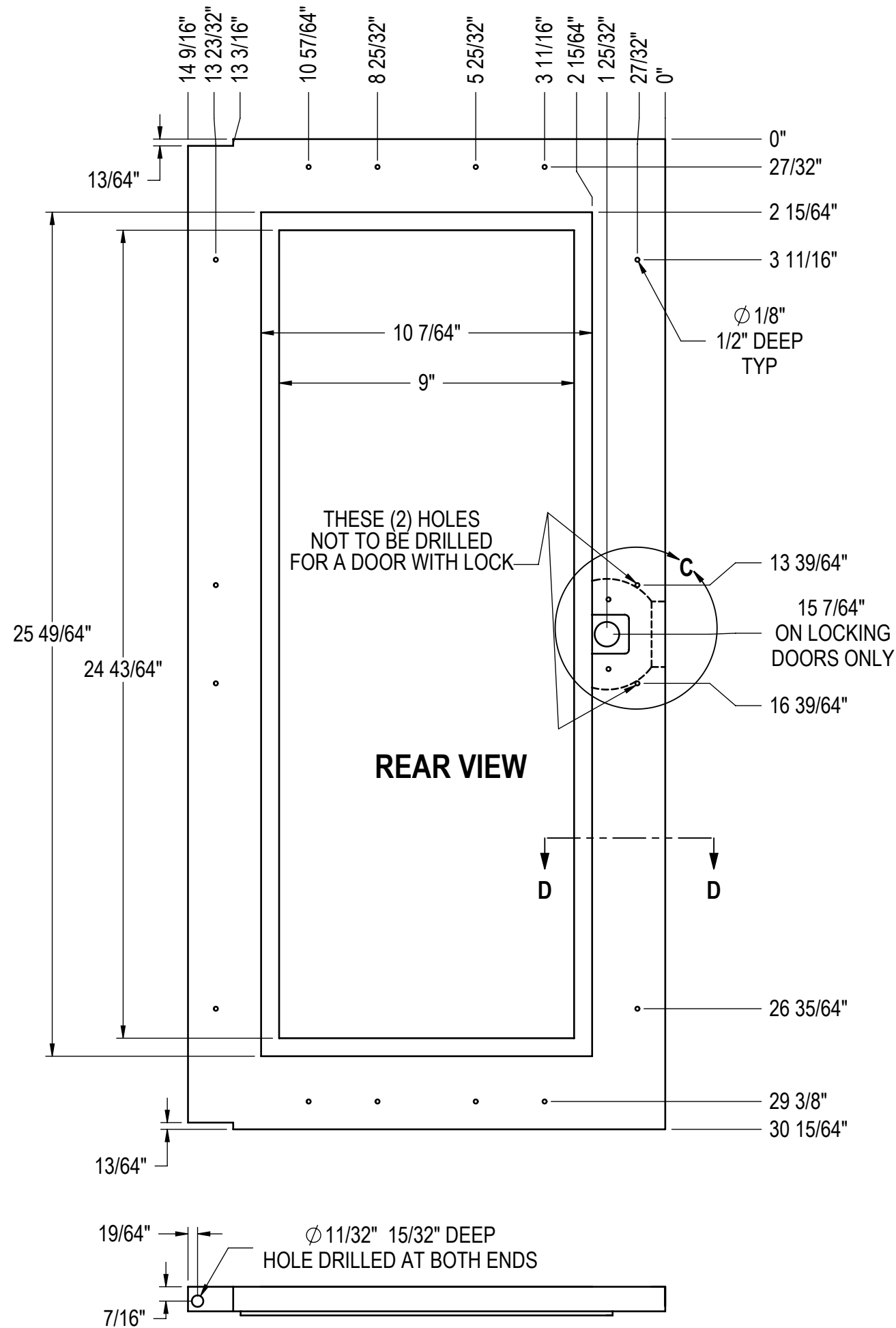


ADDED FEATURES TO ACCOMMODATE LOCKS		
2	1/10/08	NAH
REVISIONS		

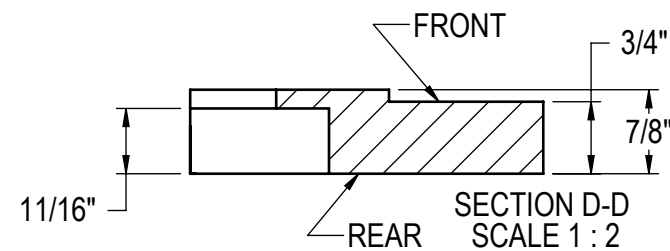
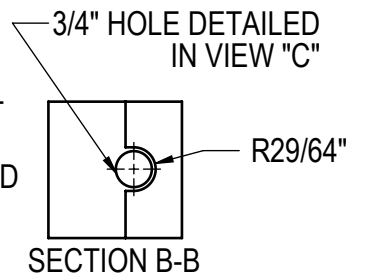
UNLESS OTHERWISE SPECIFIED: DIMENSIONS ARE IN INCHES TOLERANCES: .X = .XX = .XXX = ANGULAR: \pm 1.0°, FRACTIONS: \pm 1/16 BREAK SHARP EDGES - .015 X 45°. RADIUS SHARP FILLETS - .015 TO .031	SIGNATURES	DATE	Perlick Corporation Milwaukee, Wisconsin TITLE: WOOD OVERLAY GLASS PANEL 24in REFERENCE: PART NO. DWG NO. WOOD GLASS PANEL PURCHASE REC.: SCALE = 1:4 SHEET 1 OF 2
	DESIGNED NAH	2/6/2007	
	DRAWN NAH	2/6/2007	
	CHECKED	2/6/2007	
MATERIAL: WOOD	QTY.:	FINISH:	

THIS DOCUMENT / PUBLICATION / SOFTWARE / DRAWING CONTAINS PROPRIETARY INFORMATION WHICH IS THE PROPERTY OF THE PERLICK CORPORATION. IT MAY NOT BE REPRODUCED OR TRANSMITTED IN ANY FORM, ELECTRONIC OR MECHANICAL, INCLUDING PHOTOCOPYING, RECORDING, OR USED IN ANY INFORMATION STORAGE, TRANSMISSION, OR RETRIEVAL SYSTEM, WITHOUT WRITTEN PERMISSION FROM THE PERLICK CORPORATION. COPYRIGHT 2001 PERLICK CORPORATION. ALL RIGHTS RESERVED.



ALL FEATURES CALLED OUT IN THIS DETAIL VIEW APPLY ONLY TO PANELS BEING USED ON LOCKING DOORS

ALL FEATURES CALLED OUT IN THIS DETAIL VIEW APPLY ONLY TO PANELS BEING USED ON LOCKING DOORS



ADDED FEATURES TO ACCOMODATE LOCKS

NO.	DATE	BY
2	1/10/08	NAH

REVISIONS

UNLESS OTHERWISE SPECIFIED: DIMENSIONS ARE IN INCHES TOLERANCES: .XX = .XXX = ANGULAR: ±1.0°, FRACTIONS: ±1/16 BREAK SHARP EDGES - .015 X 45°. RADIUS SHARP FILLETS - .015 TO .031	SIGNATURES		DATE
	DESIGNED	NAH	2/6/2007
	DRAWN	NAH	2/6/2007
	CHECKED		2/6/2007

MATERIAL: WOOD	QTY.:
	FINISH:

Perlick Corporation Milwaukee, Wisconsin		
TITLE: WOOD OVERLAY GLASS PANEL 15in		
REFERENCE: PART NO.	DWG NO. WOOD GLASS PANEL	
PURCHASE REC.:	SCALE = 1:4	SHEET 2 OF 2

THIS DOCUMENT / PUBLICATION / SOFTWARE / DRAWING CONTAINS PROPRIETARY INFORMATION WHICH IS THE PROPERTY OF THE PERLICK CORPORATION. IT MAY NOT BE REPRODUCED OR TRANSMITTED IN ANY FORM, ELECTRONIC OR MECHANICAL, INCLUDING PHOTOCOPYING, RECORDING, OR USED IN ANY INFORMATION STORAGE, TRANSMISSION, OR RETRIEVAL SYSTEM, WITHOUT WRITTEN PERMISSION FROM THE PERLICK CORPORATION. COPYRIGHT 2001 PERLICK CORPORATION. ALL RIGHTS RESERVED.