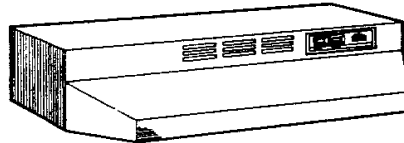
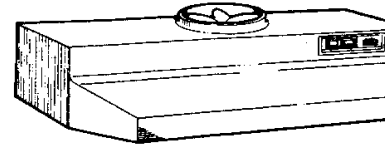




UXT3030AA SERIES
UXT3036AA



UXT4030AA SERIES
UXT4036AA



UXT2030AA SERIES
UXT2036AA

ECONOMY RANGE HOOD INSTALLATION INSTRUCTIONS

READ AND SAVE THESE INSTRUCTIONS

WARNING

TO REDUCE THE RISK OF FIRE, ELECTRIC SHOCK, OR INJURY TO PERSONS, OBSERVE THE FOLLOWING:

1. Use this unit only in the manner intended by the manufacturer. If you have questions, contact the manufacturer at the address or telephone number listed in the warranty.
2. Before servicing or cleaning unit, switch power off at service panel and lock the service disconnecting means to prevent power from being switched on accidentally. When the service disconnecting means cannot be locked, securely fasten a prominent warning device, such as a tag, to the service panel.
3. Installation work and electrical wiring must be done by a qualified person(s) in accordance with all applicable codes and standards, including fire-rated construction codes and standards.
4. Sufficient air is needed for proper combustion and exhausting of gases through the flue (chimney) of fuel burning equipment to prevent backdrafting. Follow the heating equipment manufacturer's guideline and safety standards such as those published by the National Fire Protection Association (NFPA), and the American Society for Heating, Refrigeration and Air Conditioning Engineers (ASHRAE), and the local code authorities.
5. When cutting or drilling into wall or ceiling, do not damage electrical wiring and other hidden utilities.
6. Ducted fans must always be vented to the outdoors.
7. Do not use this range hood with an additional speed control device.
8. To reduce the risk of fire, use only metal ductwork.
9. This unit must be grounded.

TO REDUCE THE RISK OF A RANGE TOP GREASE FIRE:

1. Never leave surface units unattended at high settings. Boilovers cause smoking and greasy spillovers that may ignite. Heat oils slowly on low or medium settings.
2. Always turn hood ON when cooking at high heat or when cooking flaming foods.
3. Clean ventilating fans frequently. Grease should not be allowed to accumulate on fan or filter.
4. Use proper pan size. Always use cookware appropriate for the size of the surface element.

WARNING

TO REDUCE THE RISK OF INJURY TO PERSONS IN THE EVENT OF A RANGE TOP GREASE FIRE, OBSERVE THE FOLLOWING:*

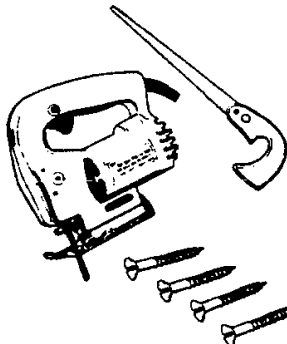
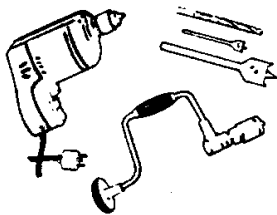
1. SMOTHER FLAMES with a close-fitting lid, cookie sheet, or metal tray, turn off the burner. BE CAREFUL TO PREVENT BURNS. If the flames do not go out immediately, EVACUATE AND CALL THE FIRE DEPARTMENT.
2. NEVER PICK UP A FLAMING PAN - You may be burned.
3. DO NOT USE WATER, including wet dishcloths or towels - a violent steam explosion will result.
4. Use an extinguisher ONLY if:
 - A. You know you a Class ABC extinguisher and you already know how to operate it.
 - B. The fire is small and contained in the area where it started.
 - C. The fire department is being called.
 - D. You can fight the fire with your back to an exit.

*Based on "Kitchen Firesafety Tips" published by NFPA.

CAUTION

1. For general ventilating use only. Do not use to exhaust hazardous or explosive materials and vapors.
2. To avoid motor bearing damage and noisy/and or unbalanced impellers, k drywall spray, construction dust, etc. off power unit.
3. For best capture of cooking impurities, your range hood should be mounted 24" above the cooking surface.
4. Please read specification label on product for further information requirements.

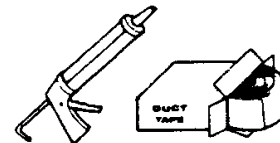
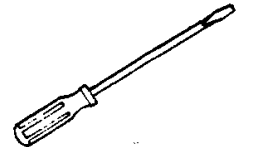
TOOLS AND MATERIALS REQUIRED



- Drill, electric or ratchet drive
- 1/8" drill bit for drilling pilot holes
- 1-1/4" wood bit for drilling electrical wiring access hole
- One straight blade and one phillips head screwdriver
- Pliers
- Pencil and ruler and/or tape measure
- Saber saw or keyhole saw for cutting 1" x 2" wood strips to length and cutting wall or cabinet openings
- Caulking, metal snips, duct tape, duct (with elbows and transition, if necessary) and roof or wall cap, as required
- Electrical wiring and supplies of type to comply with local codes

The following materials are required only for installations on recessed bottom kitchen cabinets:

- Two 1" x 2" x 12" (approximate length) wood strips (purchase locally)
- Four 1-1/4" long flat head wood screws (purchase locally)



INSTALLER: Leave This Manual With Homeowner
HOMEOWNER: Use and Care Information on Page 6

PLANNING DUCTWORK INSTALLATION

(This section for UXT2030AA, UXT2036AA, UXT3030AA, and UXT3036AA hoods only. UXT4030AA and UXT4036AA hoods skip this section and go on to "Prepare the Hood".)

In more complex ducting situations, a 3-1/4" x 10" rectangular ducting range hood (UXT3030AA and UXT3036AA hoods) can be converted to a round duct by means of a transition.

Begin planning ductwork by deciding where duct will run between the range hood and the outside. For best performance, use the shortest possible duct run and a minimum number of elbows. There are several choices shown - FIGS. A - F below.

FIG. A

Ducting directly through the wall (for range hoods mounted on an exterior wall). Shown are two ways to duct through an outside wall. If a wall cap is used directly off the back of the hood, special care must be taken to make sure that the damper in the damper/duct connector on the hood does not interfere with each other when the hood is operating. This could result in either inadequate air delivery or backdrafts. If this condition does exist, remove the hood damper flap. Sometimes when using a wall cap it is easier to duct vertically and then use an elbow as shown FIG. B.

FIG. A

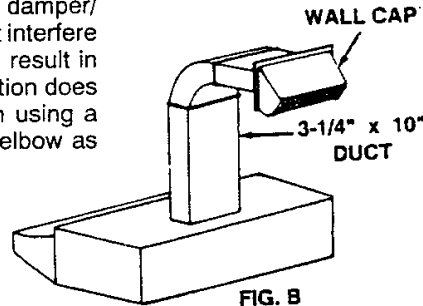
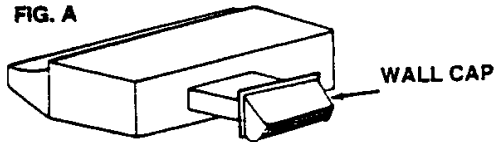


FIG. B

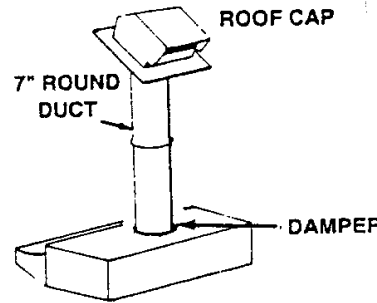


FIG. C. Straight up through the roof using 7" round duct (for single story installations - UXT2030AA and UTX2036AA only)

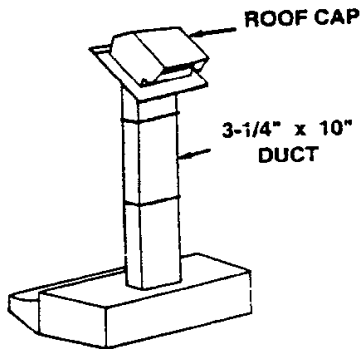


FIG. D. Ducting straight up through the roof using 3-1/4" x 10" rectangular duct. (For single story installations UXT3030AA and UXT3036AA hoods only.)

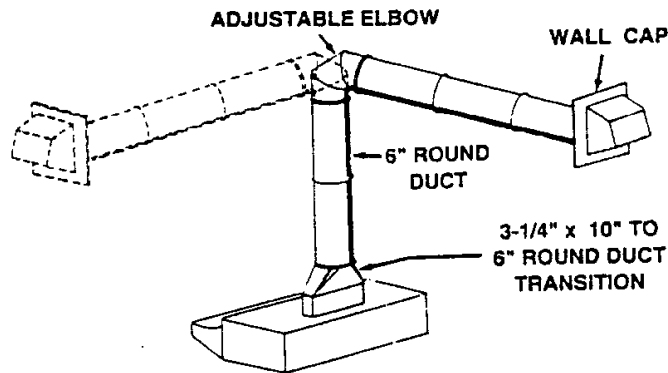


FIG. E. Ducting between the ceiling joists (for multi-story installations) or through the soffit space above the cabinets (where the soffit connects to an outside wall).

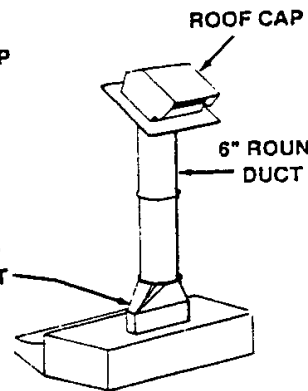
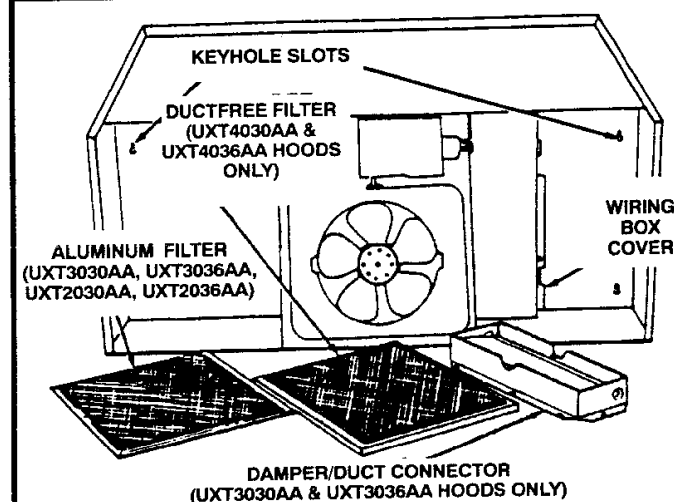


FIG. F. Straight up through the roof using 6" round duct (for single-story installations).

PREPARE THE HOOD

- Unpack hood and check contents. You should receive:
 - Aluminum Filter (UXT3030AA, UXT3036AA, UXT2030AA and UXT2036AA hoods only)
 - 3-1/4" x 10" Damper/Duct Connector (mounted inside of hood for shipping only) ((UXT3030AA and UXT3036AA hoods only)
 - Ductfree Filter (UXT4030AA and UXT4036AA hoods only)
- Remove wiring box cover. Under cover find:
 - Plastic Bag containing loose mounting hardware

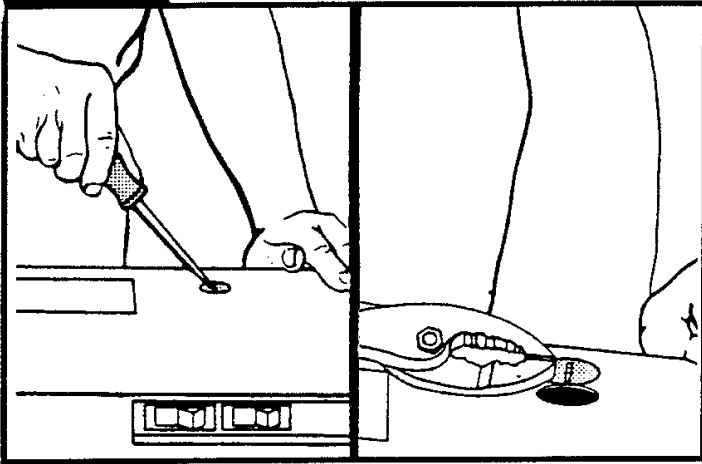
FIG. 1



PREPARE THE HOOD - CONT.

3. Remove top or rear electrical knockout. (FIG. 2)

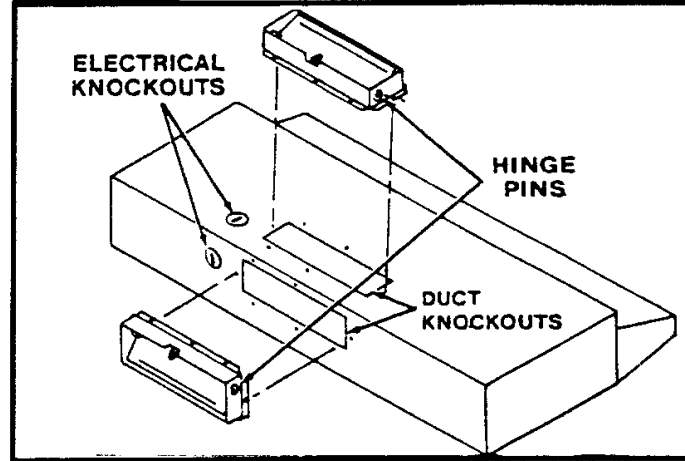
FIG. 2



4. (UXT3030AA and UXT3036AA hoods **ONLY**) Remove duct knockout. Insert screwdriver under edge of knockout, break tabs, and peel knockout back with pliers. (FIG. 3)

5. (UXT3030AA AND UXT3036AA **ONLY**). Install damper/connector over opening made in STEP 4. Use #8B sheet metal screws provided. (FIG. 3)
 UXT2030AA and UXT2036AA hoods **ONLY**) Install Model damper (purchase separately) over opening in top of hood

FIG. 3



PREPARE THE INSTALLATION LOCATION

Omit STEP 1 if hood will be installed under cabinets with flush bottom.

- (For installation on recessed bottom cabinets only)
 Attach a wood filler strip at each side of recessed area under cabinet. Use two 1" x 2" strips cut to length. If recess is deeper than 1" use thicker strips. Attach strips with 1-1/4" wood screws, 3" from end of strip. See FIG. 4.
- Measure and mark the following (FIGS. 5A & 5B):
 - Electrical wiring opening in wall or cabinet.
 - Duct opening in wall or cabinet. (UXT2030AA, UXT2036AA, UXT3030AA, and UXT3036AA **ONLY**)

FIG. 4

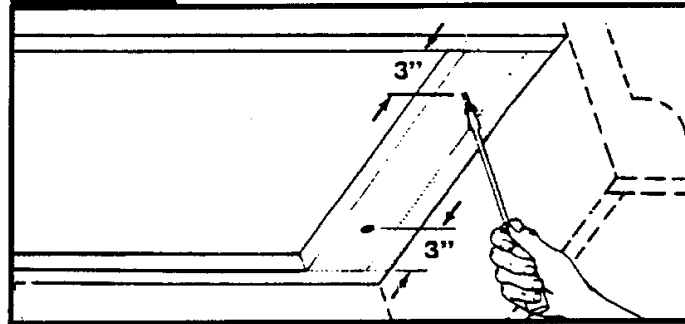


FIG. 5A

13 15/16" For 30" RANGE HOOD
 16 15/16" For 36" RANGE HOOD

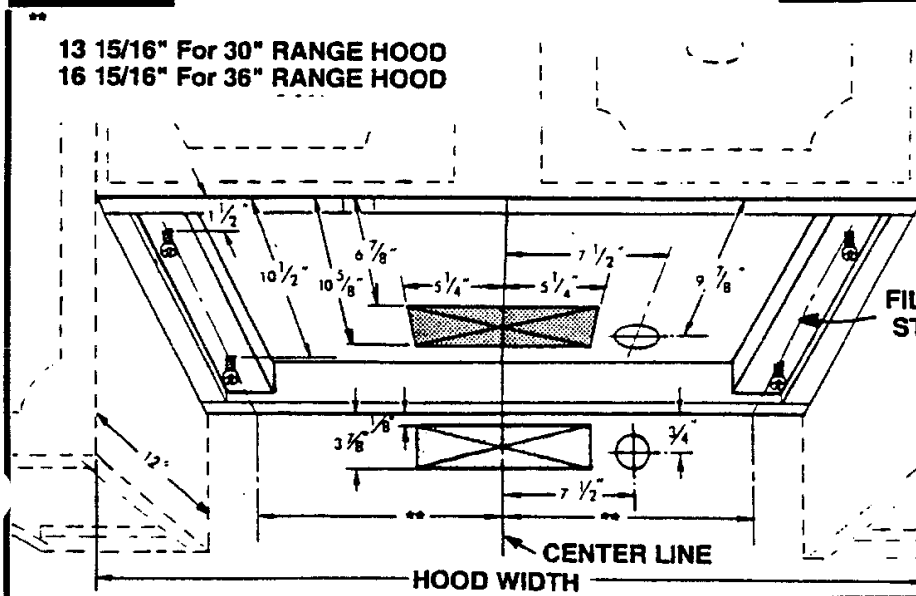
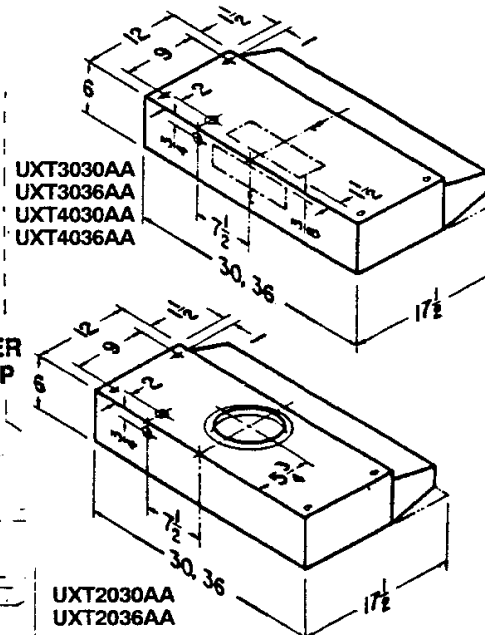


FIG. 5B

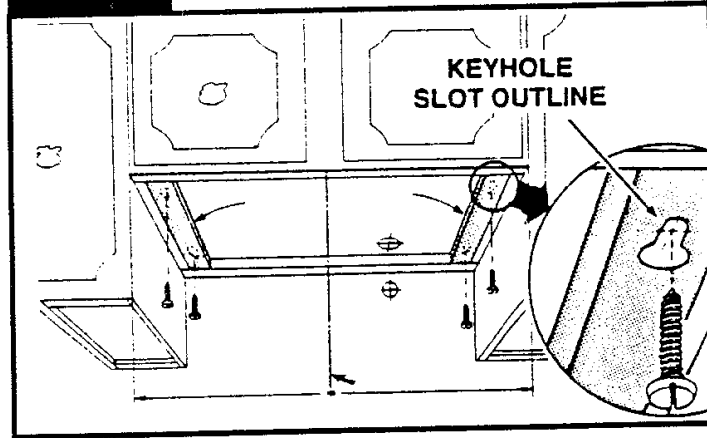


— PREPARE THE INSTALLATION LOCATION - CONT. —

WARNING
WHEN CUTTING OR DRILLING INTO WALL OR CABINET, BE CAREFUL NOT TO CUT EXISTING ELECTRICAL WIRING.

3. Use 1-1/4" bit to drill opening for electric wiring.
4. Cut out duct opening in wall or cabinet with saber saw or keyhole saw.
5. Center hood in installation opening and trace keyhole slots onto wood filler strips on cabinet bottom.
6. Screw four #10 x 7/8 wood screws into exact center of narrow end of traced keyhole slots. Allow 3/8" of screws to project, so that hood can be fitted into place later.

FIG. 6



INSTALL THE DUCTWORK

(This section for UXT2030AA, UXT2036AA, UXT3030AA, and UXT3036AA hoods only. UXT4030AA and UXT4036AA hoods skip this section and go on to "Install Range Hood".)

NOTE
 These instructions will follow plans made on Page 2. Start at the exterior and run ductwork back to the range hood.
 For best possible performance, use the shortest possible duct run and a minimum number of elbows. Do not vent a range hood into an attic space. A buildup of grease in the attic could become a fire hazard.
 Use only metal ductwork. **DO NOT USE PLASTIC DUCT.** Assemble duct run securely so that in case of a grease fire on the range, the fire will be contained inside metal ductwork.
 Tape all duct connections.

2. Follow appropriate directions below for type of duct run you install.
 - a.) **Wall Cap Discharge;** (FIG. 7) Use saber saw or keyhole saw to cut hole slightly larger than duct size used so that duct will line up easily with damper/duct connector on hood. Install casing strips if cap will be installed on siding. Attach required amount of duct to wall cap and run duct back to hood. Fasten cap to wall and caulk well.

FIG. 7

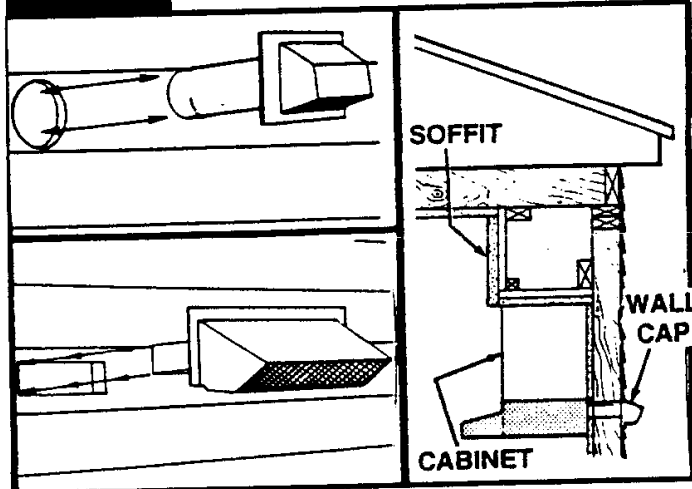
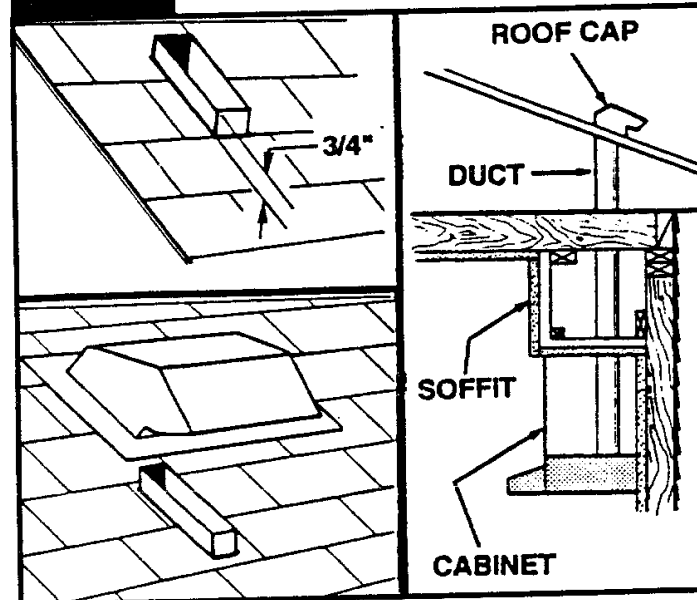


FIG. 8



- b.) **Roof Cap Discharge;** (FIG. 8) Cut a hole in roof slightly larger than duct size being used. Run ductwork down to hood location. Leave 3/4" of duct projecting above roof surface on high side.

Trim duct parallel to roof pitch and seal all around duct with roof cement.

Carefully trim shingles and slide back of roof sheet under shingles. Nail roof sheet to roof under shingles at top two corners and two sides. Nail sheet directly to roof in four places at bottom.

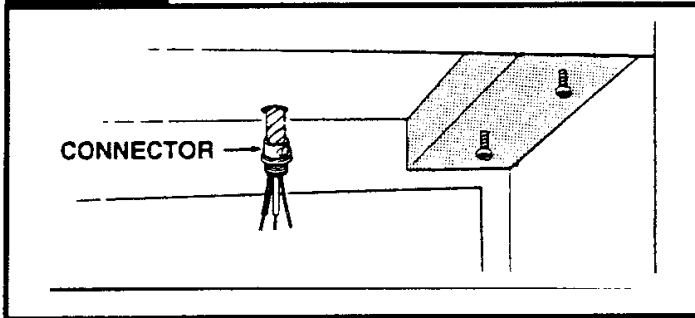
Using roof cement, seal all nail heads and shingles which were cut or lifted. Do not seal bottom edge of roof sheet.

INSTALLING RANGE HOOD

WARNING
TURN OFF THE PROPER CIRCUIT AT THE SERVICE ENTRANCE BEFORE WIRING THIS RANGE HOOD.

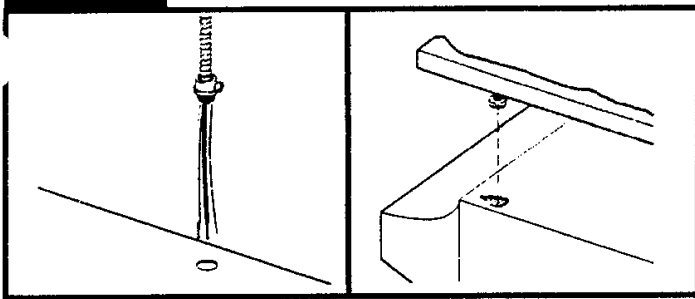
1. Run electric wiring through hole drilled in wall or cabinet. Split wiring for 6" and install proper connector for type of wire used. (FIG. 9)

FIG. 9



2. Position hood so that:
 - a.) Wiring is routed through knockout opening. (FIG. 10)
 - b.) Large part of keyhole slots fit over hood mounting screws. (FIG. 10)
 - c.) Damper/duct connector slides into ductwork. (UXT3030AA, UXT3036AA, UXT4030AA, and UXT4036AA.)

FIG. 10

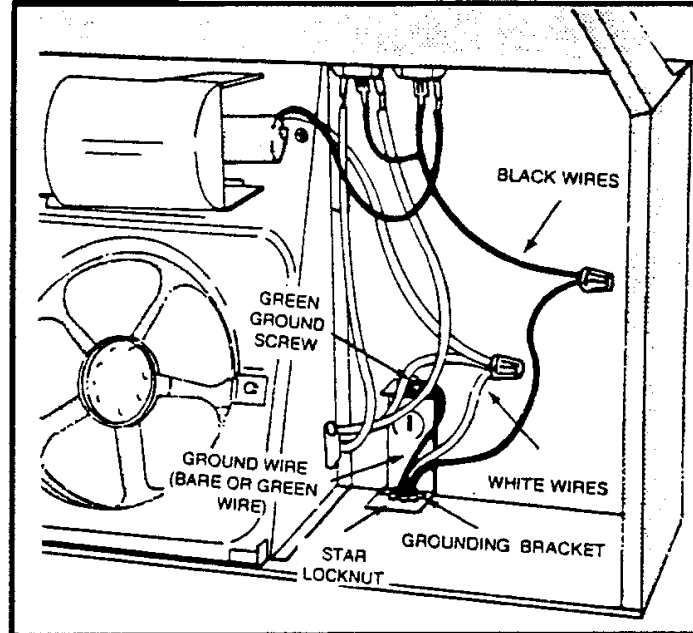


3. Adjust hood so that hood front is flush with cabinet frame.
4. Tighten hood mounting screws firmly.
5. Fasten wiring to hood with proper electrical connector for type of wiring being used.

WARNING
ALL ELECTRICAL CONNECTIONS MUST BE IN ACCORDANCE WITH LOCAL CODES, ORDINANCES, OR NATIONAL ELECTRICAL CODE. IF YOU ARE UNFAMILIAR WITH METHODS OF INSTALLING ELECTRICAL WIRING, SECURE THE SERVICES OF A QUALIFIED ELECTRICIAN.

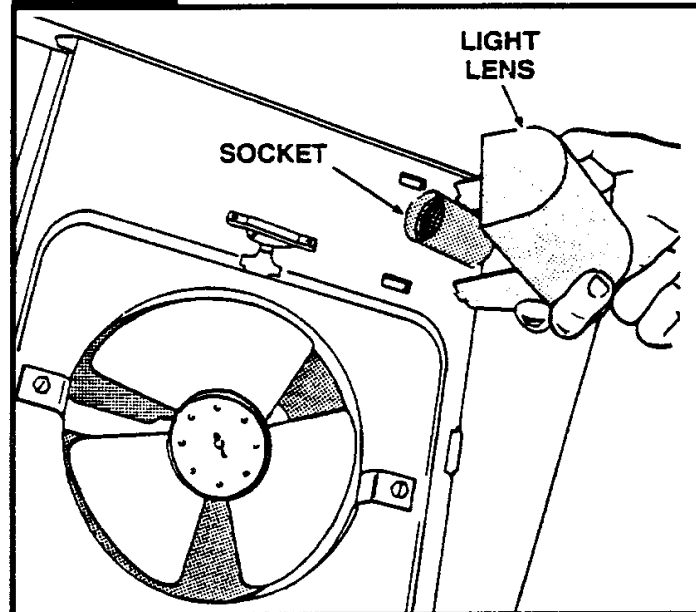
6. Strip 1/2" of insulation from wires. Connect white to white, black to black, and green to prepared hole with green ground screw provided. (FIG. 11)

FIG. 11



7. Replace wiring box cover and screw. Make sure that all wiring is safely contained inside.
8. Install light (75 Watt maximum) For easier installation, squeeze plastic lens and remove it from hood. Remember to reinstall lens (FIG. 12)

FIG. 12



9. Turn on power and check operation of fan and light. Make sure that damper operates freely.

USE AND CARE

SWITCHES

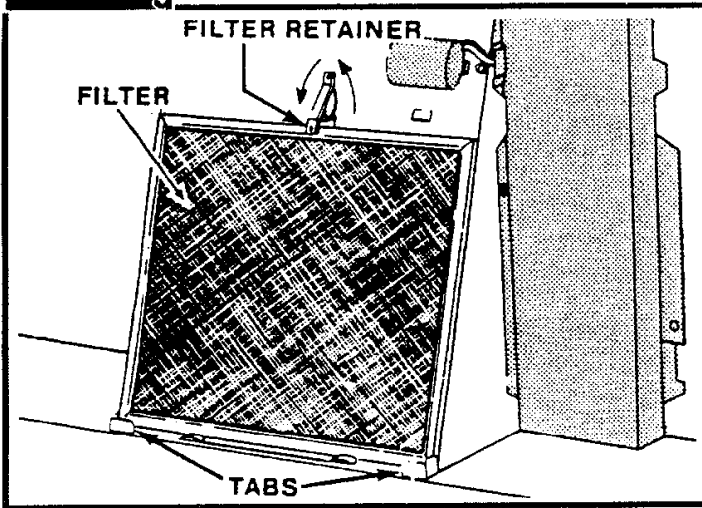
The fan and light are each controlled by a rocker switch. The light switch has two positions, "ON" AND "OFF". The fan switch has three positions - "HIGH", "LOW" and "OFF". ("OFF" is the middle position.)

FILTERS

UXT3030AA, UXT3036AA, UXT2030AA, and UXT2036AA Hoods Only:

Remove aluminum filter by turning filter retainer to one side. (FIG. 13) Filter should be washed once a month in a hot detergent solution. Aluminum filters are dishwasher safe. When installing filter, make sure that filter slides under retaining tabs on back of fan housing. Turn filter retainer so that arrows on retainer point toward front and back of hood.

FIG. 13



UXT4030AA and UXT4036AA Hoods Only:

The UXT4030AA and UXT4036AA hoods are equipped with a ductfree filter. Remove filter by turning filter retainer to one side. (FIG. 13). The ductfree filter is not washable, and will last up to twelve months with normal use. Replace the filter when colored side becomes noticeably dirty or discolored.

When installing filter, make sure that filter slides under retaining tabs on back of fan housing. **MAKE SURE THAT COLORED SIDE OF FILTER IS NEXT TO FAN WHEN FILTER IS INSTALLED.** Turn filter retainer so that arrows on retainer point toward front and back of hood.

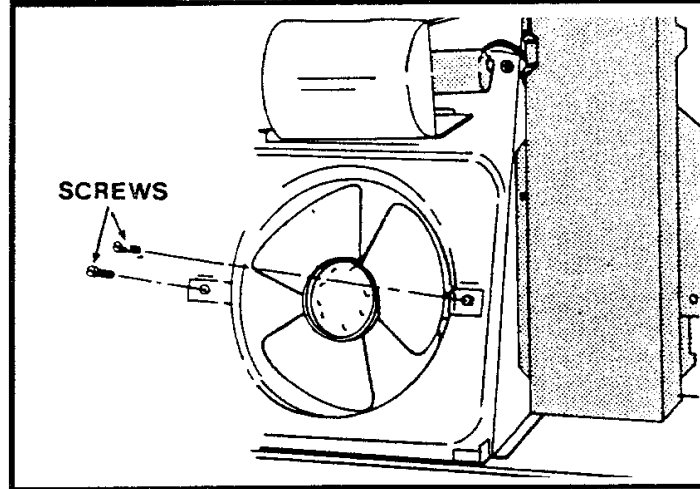
WARNING

ALWAYS DISCONNECT ELECTRIC POWER BEFORE SERVICING RANGE HOOD.

FAN ASSEMBLY

Remove filter. Remove two screws holding motor bracket to range hood, and unplug fan assembly. Be careful not to allow fan assembly to drop when screws are removed. (FIG. 15)

FIG. 15



CLEANING

Clean your hood with a mild detergent suitable for painted surfaces. **DO NOT USE ABRASIVE CLOTH, STEEL WOOL PADS OR SCOURING POWDERS.**

Fan assembly may be vacuumed. Fan assembly is lifetime lubricated, and never needs oiling.

HOW TO AVOID A COMMON RANGE-TOP GREASE FIRE

- Your range hood provides a protective barrier between the cooking surface and the cabinets.
- Keep fan, filters and grease laden surfaces CLEAN according to instructions.
- Always turn hood ON when cooking at high heat to keep the cooking area and the hood cooler.
- Use high heat settings only when necessary.
- Never leave cooking surface unattended. Boil-over causes smoking and greasy spillovers that may ignite.
- Always use adequate-sized utensils.
- If preparing flaming foods, such as Cherries Jubilee, always turn hood ON to HIGH to prevent a high heat situation which can cause damage or fire.

HOW TO EXTINGUISH A COMMON RANGE-TOP GREASE FIRE

- Never pick up a flaming pan. If dropped flames can spread quickly.
- **DO NOT USE WATER!** A violent steam explosion may result. Wet dishcloths or towels are also dangerous.
- Smother flames with a close fitting lid, cookie sheet or metal tray.
- Flaming grease can also be extinguished with baking soda or multi-purpose dry chemical extinguisher.
- Turn off surface units - if you can do so without getting burned.

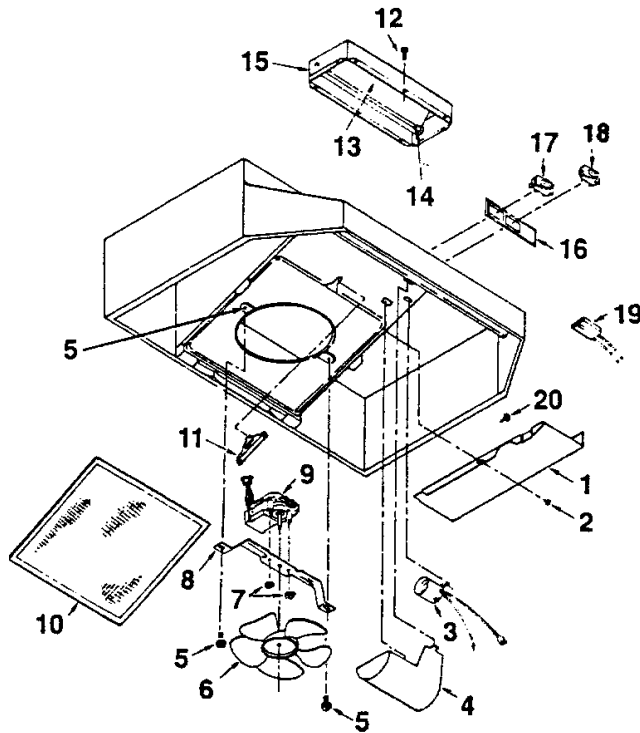
SERVICE PARTS

Service parts for your range hood are shown (with part numbers) in Figures 16, 17 and 18.

List the hood model number (on spec label located on inside hood) and the part numbers of all parts being ordered.

FIG. 16

UXT3030AA/UXT3036AA 3 1/4" x 10" DUCTED HOOD



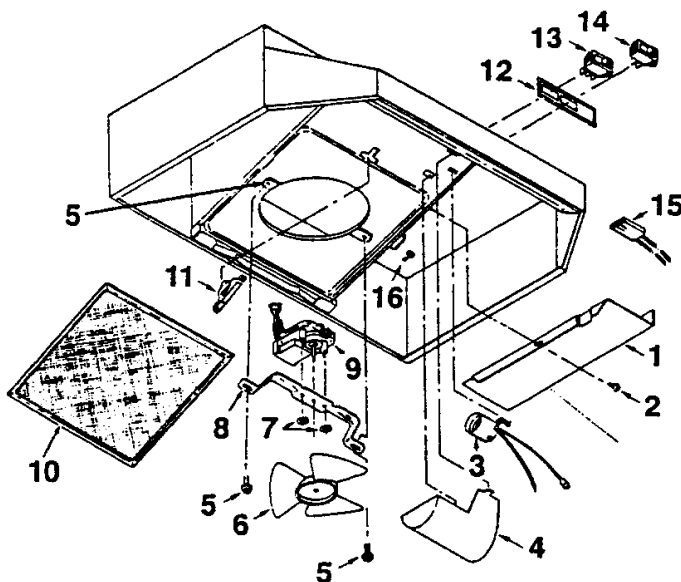
KEY NO.	PART NUMBER	DESCRIPTION
1	47001055	Outlet Box Cover
2	706189	#8-18 x 3/8 Phillips Truss Sheet Metal Screws*
3	47001056	Bulb Hodler with Wires
4	47001057	Light Lens
5	47001080	Screw/Nut Kit (Includes 2 - #10-16 x .500 screws and 2 - #10-16 sheet metal nuts)
6	47001059	Fan Blade
7	03050041	#6-32 Locking Nuts* (2 Required)
8	47001060	Motor Mounting Bracket
9	47001088	Motor Assembly (Includes Key Nos. 6, 7, & 8)
10	47001062	Aluminum Filter
11	47001063	Filter Retainer
12	706189	#8B x 1/4 Hex Head Sheet Metal Screws* (2 Required)
13	47001078	Damper Flap
14	47001079	Damper Bushing
15	47001064	Damper Assembly (Includes Key Nos. 13 & 14)
16	47001065	Nameplate - Black
	47001083	Nameplate - White
17	47001066	2-Speed Motor Switch - Black
	47001081	2-Speed Motor Switch - White
18	47001067	Light Switch - Black
	47001082	Light Switch - White
19	47001068	Motor Receptacle with Wires
20	71001171	#10-32 x 1/2 Green Ground Screw*
**	—	Light Bulb, 75 Watt (not included)

*Standard Hardware. May be purchased locally.

** Not Illustrated

FIG. 17

UXT4030AA/UXT4036AA SERIES DUCTFREE HOOD



KEY NO.	PART NUMBER	DESCRIPTION
1	47001055	Outlet Box Cover
2	706189	#8-18 x 3/8 Phillips Truss Sheet Metal Screws*
3	47001056	Bulb Holder with Wires
4	47001057	Light Lens
5	47001080	Screw/Nut Kit (Includes 2 - #10-16 x .500 screws and 2 - #10-16 sheet metal nuts)
6	47001074	Fan Blade
7	03050041	#6-32 Locking Nuts* (2 Required)
8	47001060	Motor Mounting Bracket
9	47001075	Motor Assembly (Includes Key Nos. 6, 7, & 8)
10	47001076	Ductfree Filter
11	47001063	Filter Retainer
12	47001065	Nameplate - Black
	47001083	Nameplate - White
13	47001066	2-Speed Motor Switch - Black
	47001081	2-Speed Motor Switch - White
14	47001067	Light Switch - Black
	47001082	Light Switch - White
15	47001068	Motor Receptacle with Wires
16	71001171	#10-32 x 1/2 Green Ground Screw*
**	—	Light Bulb, 75 Watt (not included)

*Standard Hardware. May be purchased locally.

** Not Illustrated

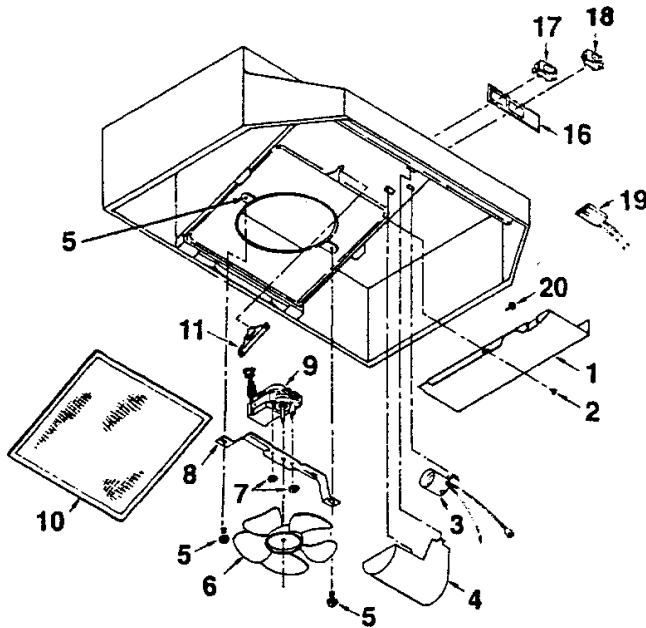
SERVICE PARTS

Service parts for your range hood are shown (with part numbers) in Figure 18.

List the hood model number and the part numbers of all parts being ordered.

FIG. 18

UXT2030AA/UXT2036AA SERIES 7" ROUND DUCTED HOOD



KEY NO.	PART NUMBER	DESCRIPTION
1	47001055	Outlet Box Cover
2	706189	#8-18 x 3/8 Phillips Truss Sheet Metal Screws*
3	47001056	Bulb Holder with Wires
4	47001057	Light Lens
5	47001080	Screw/Nut Kit (Includes 2 - #10-16 x .500 screws and 2 - #10-16 sheet metal nuts)
6	47001059	Fan Blade
7	03050041	#6-32 Locking Nuts* (2 Required)
8	47001060	Motor Mounting Bracket
9	47001088	Motor Assembly (Includes Key Nos. 6, 7, & 8)
10	47001062	Aluminum Filter
11	47001063	Filter Retainer
16	47001065	Nameplate - Black
	47001083	Nameplate - White
17	47001066	2-Speed Motor Switch - Black
	47001081	2-Speed Motor Switch - White
18	47001067	Light Switch - Black
	47001082	Light Switch - White
19	47001068	Motor Receptacle with Wires
20	71001171	#10-32 x 1/2 Green Ground Screw*
**	—	Light Bulb, 75 Watt (not included)

*Standard Hardware. May be purchased locally.

** Not Illustrated

ONE YEAR LIMITED WARRANTY

Maytag warrants to the original consumer purchaser of its products that such products will be free from defects in materials or workmanship for a period of one year from the date of original purchase. THERE ARE NO OTHER WARRANTIES, EXPRESS OR IMPLIED, INCLUDING, BUT NOT LIMITED TO, IMPLIED WARRANTIES OF MERCHANTABILITY OR FITNESS FOR A PARTICULAR PURPOSE.

During this one-year period, Maytag will, at its option, repair or replace, without charge, any product or part which is found to be defective under normal use and service.

THIS WARRANTY DOES NOT EXTEND TO FLUORESCENT LAMP STARTERS AND TUBES. This warranty does not cover (a) normal maintenance and service or (b) any products or parts which have been subject to misuse, negligence, accident, improper maintenance or repair (other than by Maytag), faulty installation or installation contrary to recommended installation instructions.

The duration of any implied warranty is limited to the one-year period as specified for the express warranty. Some states do not allow limitation on how long an implied warranty lasts, so the above limitation may not apply to you.

MAYTAG'S OBLIGATION TO REPAIR OR REPLACE, AT MAYTAG'S OPTION, SHALL BE THE PURCHASER'S SOLE AND EXCLUSIVE REMEDY UNDER THIS WARRANTY. MAYTAG SHALL NOT BE LIABLE FOR INCIDENTAL, CONSEQUENTIAL OR SPECIAL DAMAGES ARISING OUT OF OR IN CONNECTION WITH PRODUCT USE OR PERFORMANCE. Some states do not allow the exclusion or limitation of incidental or consequential damages, so the above limitation or exclusion may not apply to you.

This warranty gives you specific legal rights, and you may also have other rights, which vary from state to state. This warranty supersedes all prior warranties.

To qualify for warranty service, you must (a) notify Maytag Customer Service, P.O. Box 2370, Cleveland, TN 37320-2370, (b) give the model number and part identification and (c) describe the nature of any defect in the product or part. At the time of requesting warranty service, you must present evidence of the original purchase date.

MAYTAG CUSTOMER SERVICE, P. O. BOX 2370, CLEVELAND, TN 37320-2370