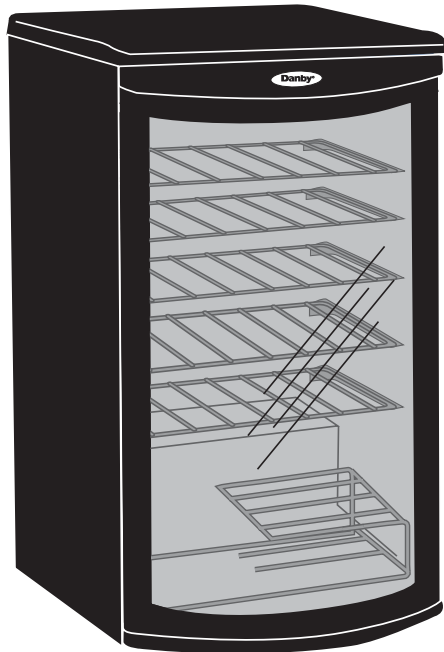




Owner's Use and Care Guide
Guide d'utilisation et soins de
Propriétaire

Model • Modèle
DWC310BLA
DWC350BLPA



CAUTION:
Read and Follow All
Safety Rules and
Operating Instructions
Before First Use of
This Product.

PRÉCAUTION:
Avant de faire
fonctionner cette
machine, lisez et
suivez toutes les
consignes de sécurité
de ce guide en
premier lieu.

**INTEGRATED WINE COOLER
Owner's Use and Care Guide**

..... 1 - 7

- Important Safety Information
- Installation Instructions
- Operating Instructions
- Care and Cleaning
- Troubleshooting
- Warranty

**REFROIDISSEUR INTÉGRÉ DE VIN
Guide d'utilisation et soins de Propriétaire**

..... 8 - 14

- Consignes de Sécurité Importantes
- Instructions d'installation
- Instructions de Fonctionnement
- Soins et Entretien
- Dépannage
- Garantie

WELCOME

Welcome to the Danby family. We're proud of our quality products and we believe in dependable service. You'll see it in this easy-to-use manual and you'll hear it in the friendly voices of our consumer service department.

1-800-26-Danby®
(1-800-263-2629)

Best of all, you'll experience these values each time you use your Wine Cooler. That's important, because your new appliance will be part of your family for a long time.

BEFORE USING YOUR WINE COOLER

Write down the model and serial numbers here. They are on a label located on the back of the unit. Staple your receipt to this manual; you will need it to obtain service under warranty.

Model Number: _____

Serial Number: _____

Date Purchased: _____

NEED HELP?

Before you call for service, there are a few things you can do to help us serve you better...

Read this manual

It contains instructions to help you use and maintain your appliance properly.

If you received a damaged appliance

Immediately contact the dealer (or builder) that sold you the Wine Cooler.

Save time and money

Check the Troubleshooting section before calling. This section helps you solve common problems that may occur.

If you do need service, you can relax knowing help is only a phone call away:

Tel: 1-800-26-Danby®
(1-800-263-2629)



IMPORTANT SAFETY INFORMATION

READ ALL SAFETY INFORMATION BEFORE USING

ELECTRICAL REQUIREMENTS

This appliance must be grounded. In the event of an electrical short circuit, grounding reduces the risk of electrical shock by providing an escape wire for the electrical current.

This appliance is equipped with a cord having a grounding wire with a grounding plug. The plug must be plugged into an outlet that is properly installed and grounded.

IMPORTANT WARNING

An empty refrigerator can pose a threat to children. To render the unit harmless we strongly recommend removing the door prior to disposal.

WARNING- Improper use of the grounding plug can result in a risk of electric shock. Consult a qualified electrician or serviceman if the grounding instructions are not completely understood, or if doubt exists as to whether the appliance is properly grounded.

DO NOT USE AN EXTENSION CORD

Use an exclusive wall outlet. Do not connect your refrigerator to extension cords or together with any other appliance in the same wall outlet.

SAVE THESE INSTRUCTIONS!

SAFETY PRECAUTIONS

• This appliance must be grounded. Connect only to a properly grounded outlet. See “Grounding Instructions” section below.

- Do not operate this appliance if it has a damaged power cord or plug, if it is not working properly, or if the appliance has been damaged or dropped. Do not splice the power cord that is equipped with this appliance.
- Keep power cord away from heated surfaces.
- Do not immerse power cord, plug or the appliance itself in water.
- Do not use this product near water- for example, in a wet basement, near a swimming pool or near a sink.
- Do not use corrosive chemicals or vapors in this appliance.
- Use this appliance only for its intended use, as described in this manual.
- Do not store perishable food items such as (but not limited to) meats and dairy products in your Wine Cooler.
- Store wine in sealed containers only.
- See door surface cleaning instructions in the “Care and Cleaning” section(s) of this manual.
- Do not cover or block any openings on the appliance.
- This appliance is intended for household use only. Do not attempt to operate or store this appliance outdoors.
- This appliance should be serviced only by qualified service personnel. Contact nearest authorized service facility for examination, repair or adjustment.

INSTALLATION INSTRUCTIONS

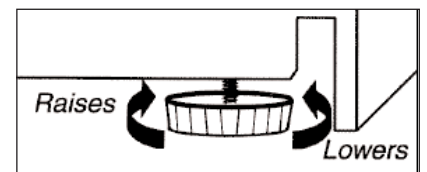
LEVELING INSTRUCTIONS



WARNING! Extreme Weight Hazard! Use 2 or more people when moving the Wine Cooler.

It is important that your Wine Cooler is level. To level the Wine Cooler:

- 1) Move the Wine Cooler to its final location.
- 2) Have someone gently lean on the front of the Wine Cooler to take some of the weight off of the leveling leg.
- 3) Turn the leveling leg clockwise to raise, and counter-clockwise to lower the Wine Cooler. Continue in this manner until the Wine Cooler is level.



INSTALLATION INSTRUCTIONS

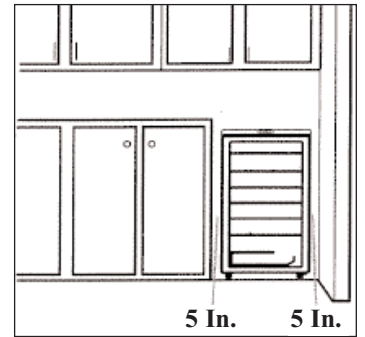
LOCATION

DO...

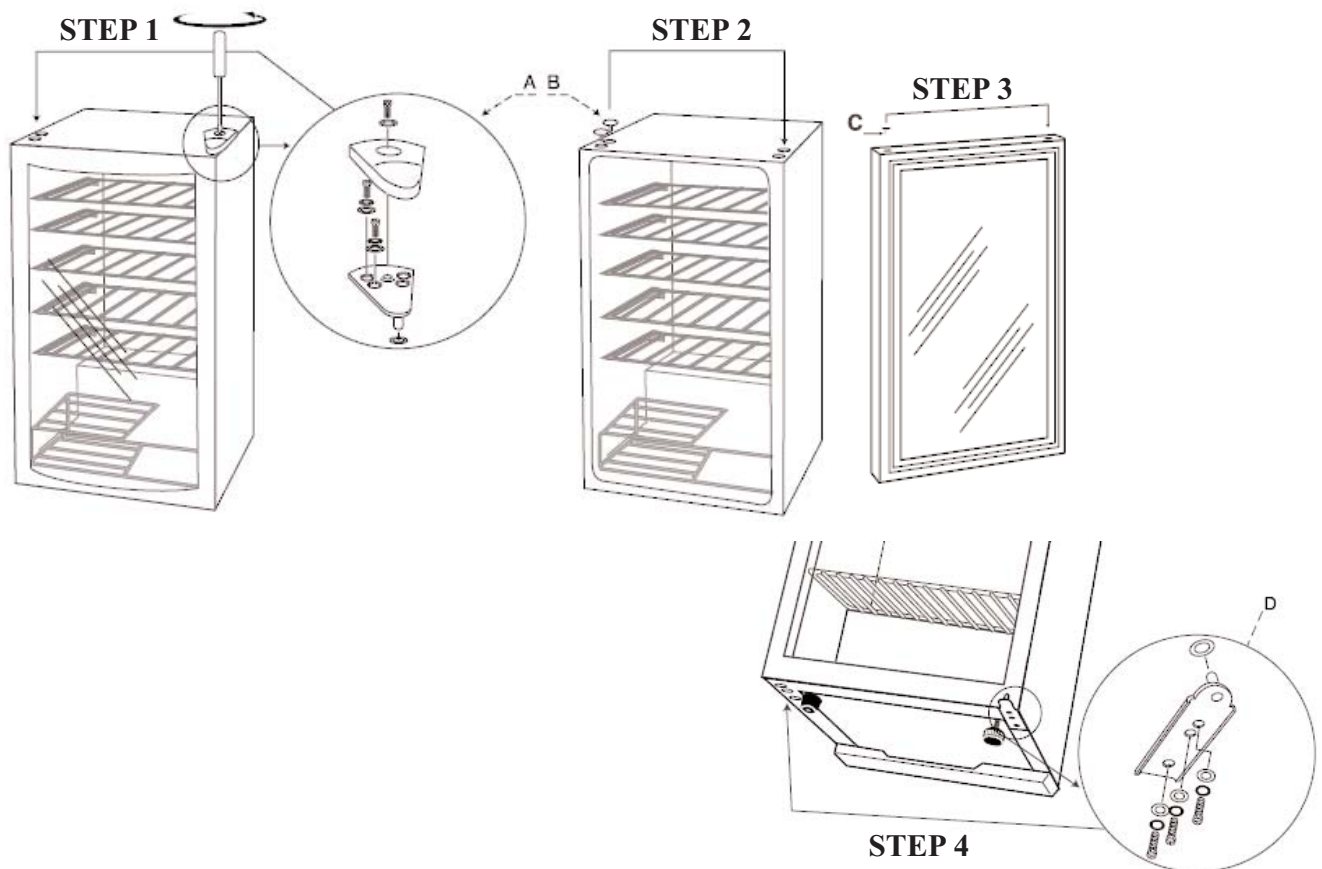
- Select a location with a strong, level floor.
- Allow for 5 inches of space between the back of the appliance and any adjacent wall.
- Avoid direct sunlight and heat. Direct sunlight may affect the acrylic coating; heat sources nearby will cause higher electricity consumption.

DO NOT...

- Use this appliance outdoors: **This appliance is intended for household use only.** Do not attempt to operate or store this appliance outdoors.
- Build this appliance into an enclosure: **This appliance is designed for a Free-Standing application only** and is not intended to be "Built-In".



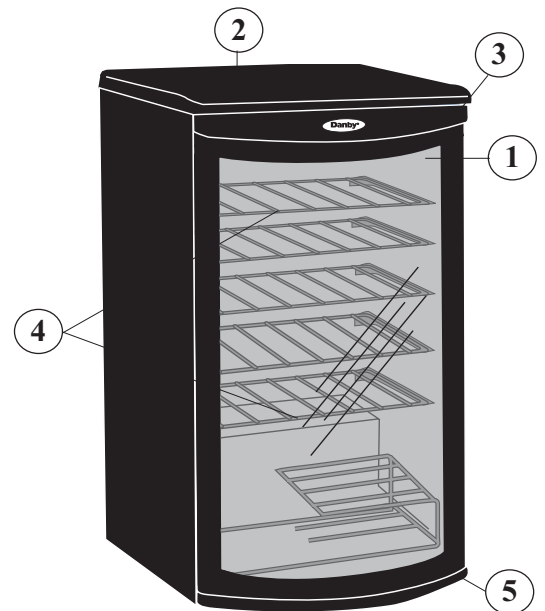
DOOR REVERSAL INSTRUCTIONS



OPERATING INSTRUCTIONS

FEATURES OF YOUR WINE COOLER

- 1) Tempered Glass Door:** Tinted for UV protection while still allowing for easy interior viewing.
- 2) Thermostat Dial:** (Externally mounted rear wall thermostat) For controlling the temperature inside the wine cooler. Turns the motor (compressor) on /off as soon as the temperature rises/falls above/below the set cooling level.
- 3) Magnetic Door Gaskets:** Tight fitting seals retain all the cooling power and humidity levels.
- 4) Plastic Coated Shelves:** Odor resistant, rustproof, and removable for easy cleaning.
- 5) Leveling Leg.**
- 6) Interior Light** (*not shown*)



THE CONTROLS OF YOUR WINE COOLER

To start the wine cooler, turn the temperature control to the position corresponding to your desired cooling level. The wine cooler temperature will vary depending on the quantity of bottles stored, and on the frequency with which the door is opened.

SETTING THE TEMPERATURE:

The temperature of the wine cooler compartment is controlled by adjusting/setting the thermostat control knob, located on the exterior rear wall of the unit. To start the wine cooler and achieve maximum cooling quickly;

- Turn the temperature control knob clockwise to the furthest (maximum) setting on the darker blue (wide) section of the graduated control dial.
- Allow the unit to run at this setting for 3-4 hours.
- When maximum cooling is achieved, turn back the temperature control knob setting to the 2 o'clock position on the graduated blue control dial. See Fig.1.
- To turn off the wine cooler, (no cooling) rotate the control knob to the "0" (off) position. See Fig. 2. Turn the control to the "OFF" (0) position to temporarily disconnect the cooling cycle. When the wine cooler is not to be used for long periods of time, disconnect from power and leave the door partially open.

NOTE: Wait 3 to 5 minutes before restarting if operation has been interrupted.

LIGHT BULB REPLACEMENT:

To replace the interior light bulb;

- Remove the screw holding the light bulb cover, and remove cover.
- Unscrew the light bulb and replace.

NOTE: Light bulb should not exceed 15 watts.

DEFROSTING: Your wine cooler is designed with an "Auto-Cycle" defrost system. What is Auto Cycle defrost?

The refrigerated surfaces of the fresh food compartment defrost automatically during the "off" cycle of the cold control (thermostat). Defrost water from the fresh food compartment is disposed of automatically, by means of being channeled onto a drip tray located on the compressor. Heat transfer from the compressor causes the defrost water to evaporate.

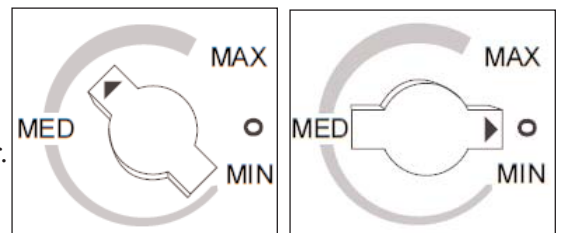


Fig. 1

Fig. 2

OPERATING INTRUCTIONS (cont'd)

WINE STORAGE

The Maximum Capacity* of the DWC310BLA / DWC350BLPA is 35 (750mL) wine bottles. * *When stocked as per instructions below.*

In order to achieve the maximum storage capacity of thirty five (35) bottles, it will be necessary to:

- 1) Position four (4) bottles on the first shelf, two on either side of the controls
- 2) Position 5 bottles across, as in Fig. A, on shelves two (2) through six (6).
- 3) Finally, position three (3) bottles per staggered bottom shelf, as shown in Fig. B, for a total of six (6) bottles per tier on the bottom 2 tiered, staggered shelf. This will give you a total loading capacity of 35 bottles.

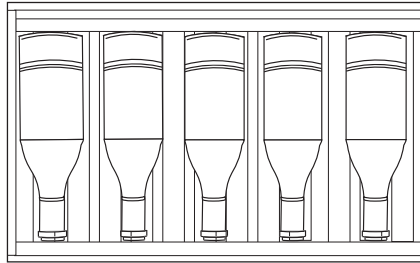


Fig. A

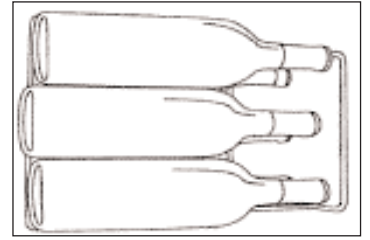


Fig. B

SHELF INSTRUCTIONS

IMPORTANT! Do not cover any part of the rack with aluminum foil or any other material that will prevent adequate air circulation within the unit.

To remove a rack from its locked position, lift the rear of the rack upward and then slide the rack out from the unit, as shown in Fig. C.

To re-install, ensure the rack is resting securely on the support brackets, and push the rack inward until it locks into place.

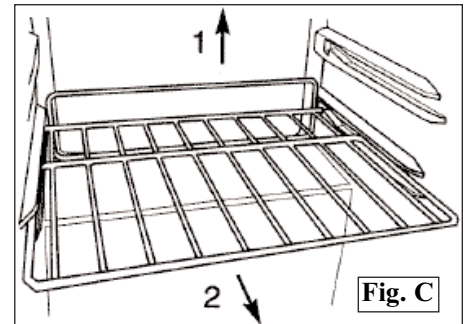


Fig. C

CARE AND CLEANING

HELPFUL HINTS

Allow the Wine Cooler door to remain open for a few minutes after manual cleaning to air out and dry the inside of the Wine Cooler.

NOTE: Be certain the power is off before cleaning any part of this appliance.

HOW TO CLEAN THE INSIDE

Never use any commercial or abrasive cleaners or sharp objects on any part of the Wine Cooler.

Walls, Floor, Inside Window, and Shelves:

Some water deposits and dust can be removed with a dry paper towel, others may require a damp cloth.

HOW TO CLEAN THE OUTSIDE

Do not use cleaners containing ammonia or alcohol on the Wine Cooler. Ammonia or alcohol can damage the appearance of the appliance.

Outer Case:

It's important to keep the area clean where the door seals against the unit. Clean this area with a sudsy cloth. Rinse and then dry.

Door surface:

Use only mild, non-abrasive detergents applied with a clean sponge or soft cloth. Rinse well.

Control Panel and Door:

Wipe with a damp cloth and dry thoroughly. Do not use cleaning sprays, large amounts of soap and water, abrasive or sharp objects on the panel—they can damage it. Some paper towels may also scratch the control panel and door glass.

TROUBLESHOOTING

BEFORE YOU CALL FOR SERVICE

PROBLEM	POSSIBLE CAUSE	SOLUTION
1) No power.	<ul style="list-style-type: none"> • A fuse in your home may be blown or a circuit breaker tripped • Power surge • Plug is not fully inserted into wall outlet. 	<ul style="list-style-type: none"> • Replace fuse or reset circuit breaker. • Unplug the wine cooler, wait a few seconds and plug back in. • Make sure the 3-prong plug is fully inserted into outlet.
2) Cabinet temperature too high.	<ul style="list-style-type: none"> • Temperature Setting. • Door not shut properly or opened excessively. • Interior lights toggled on. • Exhaust vent is obstructed. • Recently added large quantity of warm bottles to cabinet. 	<ul style="list-style-type: none"> • Verify the temperature control setting; adjust if necessary. • Ensure door is fully closed and the gasket is sealing against the cabinets. Open door only as needed and for short periods of time. • The interior lights are intended for temporary lighting of cabinets for display purposes only. They are not intended to be left on for prolonged periods of time. • Verify that nothing is blocking front-mounted exhaust vent. • Limit quantity of warm bottles introduced at the same time. Stagger the load introduction if possible.
3) Condensation on the cabinet and/or doors.	<ul style="list-style-type: none"> • High humidity conditions in the home. 	<ul style="list-style-type: none"> • Ensure door is fully closed and gasket is sealing against the cabinet. Open the door only as needed and for short periods of time.

If none of the above rectify the situation please contact our customer care department at

1-800-26- Danby® (1-800-263-2629)

Danby® LIMITED IN-HOME APPLIANCE WARRANTY

This quality product is warranted to be free from manufacturer's defects in material and workmanship, provided that the unit is used under the normal operating conditions intended by the manufacturer.

This warranty is available only to the person to whom the unit was originally sold by Danby Products Limited (Canada) or Danby Products Inc. (U.S.A.) (hereafter "Danby") or by an authorized distributor of Danby, and is non-transferable.

TERMS OF WARRANTY

Plastic parts, are warranted for thirty (30) days only from purchase date, with no extensions provided.

First Year During the first twelve (12) months, any functional parts of this product found to be defective, will be repaired or replaced, at warrantor's option, at no charge to the ORIGINAL purchaser.

To obtain Service Danby reserves the right to limit the boundaries of "In Home Service" to the proximity of an Authorized Service Depot. Any appliance requiring service outside the limited boundaries of "In Home Service", it will be the consumer's responsibility to transport the appliance (at their own expense) to the original retailer (point of purchase) or a service depot for repair. See "Boundaries of In Home Service" below. Contact your dealer from whom your unit was purchased, or contact your nearest authorized Danby service depot, where service must be performed by a qualified service technician.

If service is performed on the units by anyone other than an authorized service depot, or the unit is used for commercial application, all obligations of Danby under this warranty shall be void.

Boundaries of In Home Service If the appliance is installed in a location that is 100 kilometers (62 miles) or more from the nearest service center your unit must be delivered to the nearest authorized Danby Service Depot, as service must only be performed by a technician qualified and certified for warranty service by Danby. Transportation charges to and from the service location are not protected by this warranty and are the responsibility of the purchaser.

Nothing within this warranty shall imply that Danby will be responsible or liable for any spoilage or damage to food or other contents of this appliance, whether due to any defect of the appliance, or its use, whether proper or improper.

EXCLUSIONS

Save as herein provided, Danby, there are no other warranties, conditions, representations or guarantees, express or implied, made or intended by Danby or its authorized distributors and all other warranties, conditions, representations or guarantees, including any warranties, conditions, representations or guarantees under any Sale of Goods Act or like legislation or statute is hereby expressly excluded. Save as herein provided, Danby shall not be responsible for any damages to persons or property, including the unit itself, howsoever caused or any consequential damages arising from the malfunction of the unit and by the purchase of the unit, the purchaser does hereby agree to indemnify and hold harmless Danby from any claim for damages to persons or property caused by the unit.

GENERAL PROVISIONS

No warranty or insurance herein contained or set out shall apply when damage or repair is caused by any of the following:

- 1) Power failure.
- 2) Damage in transit or when moving the appliance.
- 3) Improper power supply such as low voltage, defective house wiring or inadequate fuses.
- 4) Accident, alteration, abuse or misuse of the appliance such as inadequate air circulation in the room or abnormal operating conditions (extremely high or low room temperature).
- 5) Use for commercial or industrial purposes (ie. If the appliance is not installed in a domestic residence).
- 6) Fire, water damage, theft, war, riot, hostility, acts of God such as hurricanes, floods etc.
- 7) Service calls resulting in customer education.
- 8) Improper Installation (ie. Building-in of a free standing appliance or using an appliance outdoors that is not approved for outdoor application).

Proof of purchase date will be required for warranty claims; so, please retain bills of sale. In the event warranty service is required, present this document to our AUTHORIZED SERVICE DEPOT.

Danby Products Limited
PO Box 1778, 5070 Whitelaw RD, Guelph, Ontario, Canada N1H 6Z9
Telephone: (519) 837-0920 FAX: (519) 837-0449

1-800-263-2629

Danby Products Inc. PO Box 669,
1800 Production Drive Findlay, Ohio, U.S.A. 45840
Telephone: (419) 425-8627 FAX: (419) 425-8629

BIENVENUE

Bienvenue dans la famille Danby. Nous sommes fiers de nos produits de qualité et croyons au bien fondé de fournir une assistance fiable à nos clients. Vous le découvrirez par ce guide facile d'utilisation et vous pourrez l'entendre en provenance des voix amicales de notre service d'assistance à la clientèle.

1-800-26-Danby®
(1-800-263-2629)

Mais, ce qui est encore mieux, vous pourrez bénéficier de ces valeurs à chaque utilisation de votre Refroidisseur de Vin. Ceci est important parce que votre nouvelle appareil fera partie de votre famille pour longtemps.

AVANT D'UTILISER VOTRE REFROIDISSEUR DE VIN

Enregistrez ici les numéros de modèle et de série. Ces numéros se trouvent sur l'étiquette au dos de l'appareil. Agrafez votre reçu d'achat à l'arrière de ce guide. Il sera requis pour faire une réclamation de la garantie.

Numéro de modèle: _____

Numéro de série: _____

Date d'achat: _____

EN CAS DE BESOIN D'ASSISTANCE

Voici quelques contributions que vous pouvez effectuer avant de faire un appel de service, pour nous aider à mieux vous servir :

Lisez ce guide

Il comprend des instructions pour vous assister à l'utilisation et l'entretien adéquats de votre Refroidisseur de Vin.

Si votre appareil neuf est avarié

Communiquez immédiatement avec le revendeur (ou le fabricant).

Épargnez temps et argent

Avant de faire un appel de service, révisez le chapitre intitulé "Dépannage". Ce chapitre vous aidera à solutionner des problèmes communs qui pourraient survenir.

Si une réparation est requise, vous pouvez avoir l'esprit tranquille parce que de l'aide ne sera l'affaire que d'un appel téléphonique.

Tel: 1-800-26-Danby®
(1-800-263-2629)

INFORMATION DE SÉCURITÉ IMPORTANTES

LISEZ TOUTES LES INFORMATIONS DE SÉCURITÉ AVANT DE FAIRE FONCTIONNER L'APPAREIL

CONDITIONS ÉLECTRIQUES

This appliance must be grounded. In the event of an electrical short circuit, grounding reduces the risk of electrical shock by providing an escape wire for the electrical current.

This appliance is equipped with a cord having a grounding wire with a grounding plug. The plug must be plugged into an outlet that is properly installed and grounded.

IMPORTANT WARNING

An empty refrigerator can pose a threat to children. To render the unit harmless we strongly recommend removing the door prior to disposal.

WARNING- Improper use of the grounding plug can result in a risk of electric shock. Consult a qualified electrician or serviceman if the grounding instructions are not completely understood, or if doubt exists as to whether the appliance is properly grounded.

DO NOT USE AN EXTENSION CORD

Use an exclusive wall outlet. Do not connect your refrigerator to extension cords or together with any other appliance in the same wall outlet.

SAUVEGARDE CES INSTRUCTIONS!

PRÉCAUTIONS

Cet appareil doit être mis à la terre. Branchez le seulement dans une prise correctement mise à la terre. Référez-vous au chapitre intitulé "Instructions de mise à la terre" ci-dessous.

- Ne faites pas fonctionner cet appareil s'il a un cordon ou fiche électrique endommagé, s'il ne fonctionne pas correctement, ou si l'appareil a été endommagé ou échappé.
- N'épissez pas le cordon électrique
- Gardez le cordon électrique éloigné des sources de chaleur.
- N'immersez pas le cordon ou sa fiche dans aucun liquide.
- N'utilisez pas cet appareil près de bassins d'eau, par exemple dans un sous-sol détrempé, près d'une piscine ou d'un évier.
- N'utilisez pas de produits chimiques ou vapeurs corrosives dans/près de cet appareil.
- N'utilisez cet appareil que pour les fins aux quelles il est conçu comme indiqué dans ce guide.
- Ne placez pas les articles périssables de nourriture dans votre centre de breuvages (pour exemple, les viandes et les produits laitiers).
- Entrez les breuvages dans des bouteilles scellées seulement.
- Référez-vous aux instructions de nettoyage du fini de la porte se trouvant au(x) chapitre Soins et Entretien.
- Ne recouvrez pas ou n'obstruez aucune ouverture de l'appareil.
- Cet appareil est conçu pour un usage domestique à l'intérieur seulement. N'entrez ni n'utilisez pas cet appareil à l'extérieur.
- Cet appareil ne devrait être réparé que par du personnel qualifié. Pour tout examen, réparation ou réglage, contactez votre centre de service le plus rapproché.

CONSIGNES D'INSTALLATION

INSTRUCTIONS DE MISE À NIVEAU



Danger de poids excessif! Il faut deux personnes ou plus pour déplacer le Refroidisseur de Vin.

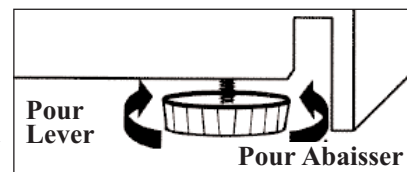
Il est important que votre Refroidisseur de Vin soit à niveau. Pour mettre le Refroidisseur de Vin à niveau :

1) Installez le refroidisseur de vin à sa position finale.

2) Demandez à une autre personne d'appliquer une légère pression sur la partie avant supérieure du

refroidisseur de vin pour l'incliner et alléger la pesanteur sur les pattes de réglage de mise à niveau.

3) Pivotez les pattes de mise à niveau dans le sens des aiguilles d'une montre pour lever le refroidisseur à vin ou dans le sens contraire pour l'abaisser



CONSIGNES D'INSTALLATION (suite)

LOCATION

À FAIRE...

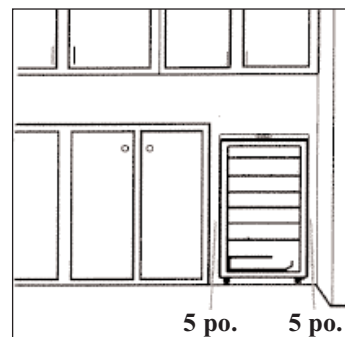
- Choisir un endroit avec un plancher solide et au niveau.
- Laisser un espace de 12,7 cm (5 po) entre l'arrière de l'appareil et tout mur adjacent.
- Éviter l'exposition au soleil direct et à la chaleur. Le soleil direct peut affecter la couche d'acrylique. Les sources de chaleur à proximité peuvent causer une

plus grande consommation d'électricité.

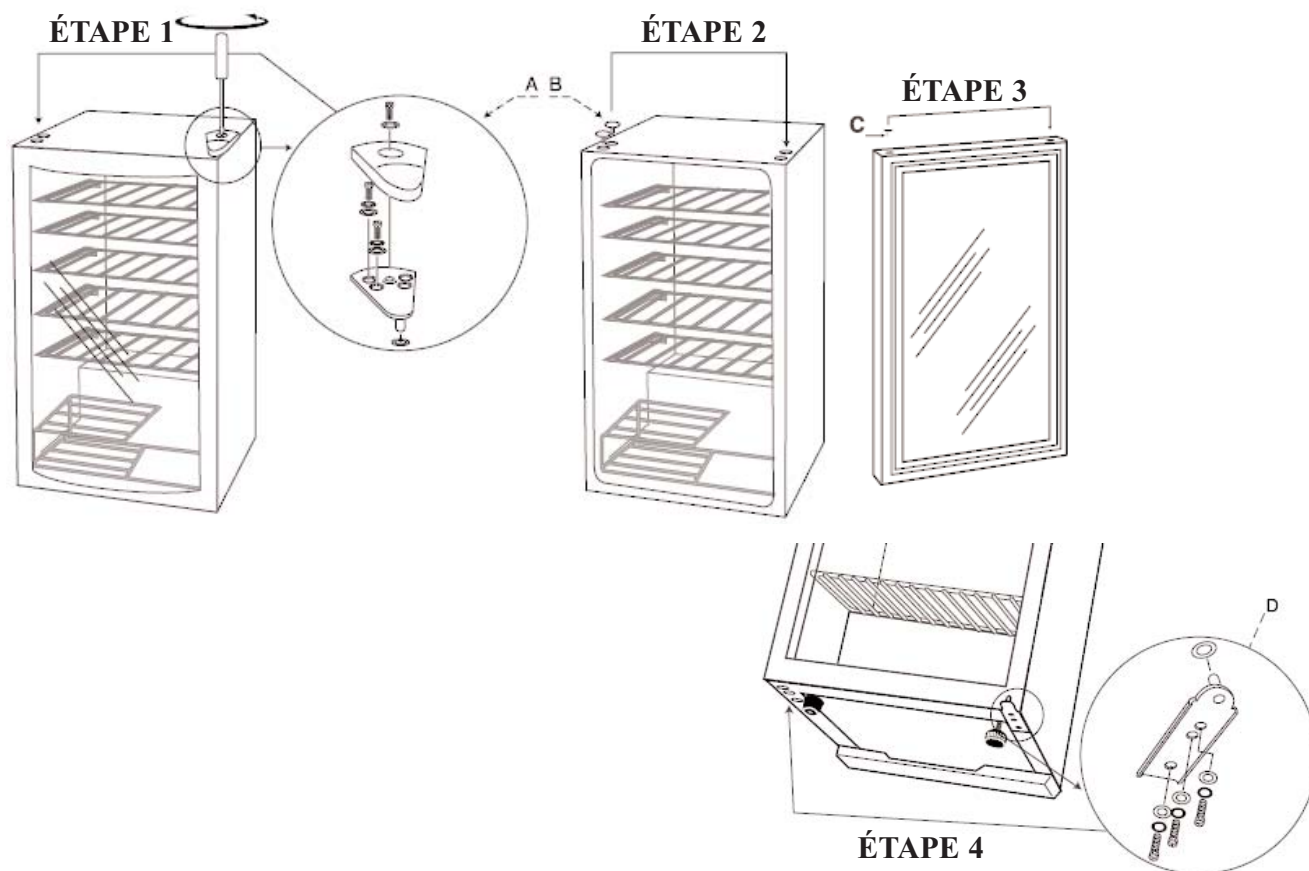
À NE PAS FAIRE...

• Utiliser cet appareil à l'extérieur: **Cet appareil a été conçu pour usage domestique seulement.** Ne pas faire fonctionner ou entreposer cet appareil à l'extérieur.

• Incorporer cet appareil dans une armoire: **Cet appareil est conçu pour une utilisation autonome seulement** et n'est pas prévu pour être encastré.



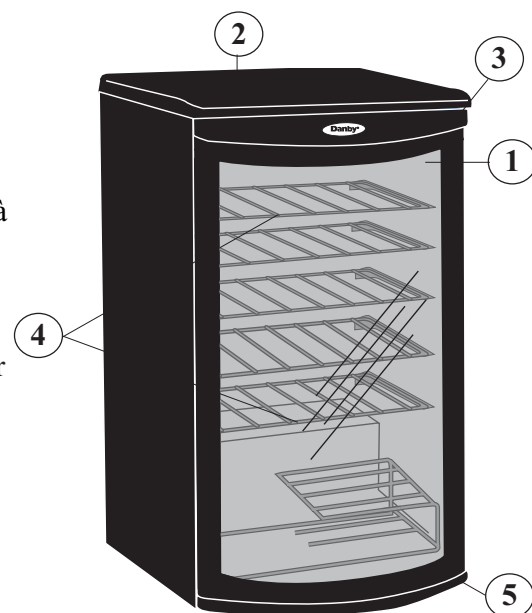
INSTRUCTIONS DE L'INVERSION DE PORTE



INSTRUCTIONS DE FONCTIONNEMENT

CARACTÉRISTIQUES DE VOTRE REFROIDISSEUR DE VIN

- 1) Portes En Verre Trempé:** Teinté pour protéger contre les rayons UV tout en permettant de voir facilement le contenu du cabinet.
- 2) Contrôle Électronique de la Température:** (contrôles installés à l'avant, à l'extérieur du cabinet) Ces commandes contrôlent la température à l'intérieur du cabinet à vins. Ils mettent le moteur en marche ou l'arrêtent dès que la température dépasse en plus ou en moins le niveau de refroidissement demandé.
- 3) Joint Étanche Magnétique:** Le joint étanche permet de conserver le niveau de température et d'humidité à l'intérieur du cabinet.
- 4) Étagères Plastifiées:** Résistent aux odeurs et à la rouille. Amovibles pour faciliter l'entretien.
- 5) Pied Ajustable.**
- 6) Lumière Intérieures** (non illustré)



COMMANDES DE VOTRE REFROIDISSEUR DE VIN

Mettre l'appareil en marche en tournant la commande du thermostat à la position désirée de refroidissement. La température du refroidisseur de vin varie selon la quantité de bouteilles rangées et du nombre d'ouverture de la porte.

RÉGLAGE DE LA COMMANDE DE TEMPÉRATURE:

La temp. intérieure du cabinet à vins est contrôlée à l'aide d'un bouton de contrôle du thermostat. Ce bouton se trouve à l'extérieur du cabinet, sur la paroi arrière. Pour mettre le cabinet à vins en marche et pour en tirer un refroidissement maximum rapidement, procédez comme suit :

- Tournez le bouton de commande de la temp. en sens horaire, en direction du réglage maximum (partie bleu foncé large) de la commande graduée.

- Laissez le cabinet fonctionner à ce niveau pendant 3 ou 4 heures.

À NOTER: Retarder la mise en marche de 3 à 5 minutes si le fonctionnement a été interrompu.

REPLACEMENT D'AMPOULE:

Pour remplacer l'ampoule intérieure;

- Enlevez la vis tenant la couverture d'ampoule, et enlevez la couverture.

- Dévissez l'ampoule et la remplacez.

NOTE : L'ampoule ne devrait pas dépasser 15 watts.

DÉGIVRAGE: Le refroidisseur de vin est pourvu d'un système de dégivrage auto-cycle. Qu'est ce que le dégivrage auto-cycle?

Les surfaces réfrigérées du compartiment dégivrent automatiquement pendant le cycle "OFF" du thermostat. L'eau de dégivrage se débarrasse automatiquement en entrant un bac. Le transfert de chaleur du compresseur fait évaporer l'eau.

- Lorsque le refroidissement maximum est atteint, placez l'aiguille du bouton de commande de la temp. à la position de 2 heures sur le cadran gradué (voir la Fig. 1).

- Pour arrêter le cabinet à vins (arrêt du refroidissement), tournez le bouton de commande de la temp. à la position «0» (OFF) (voir la Fig. 2).

- Tournez la commande en position «OFF» (0) pour couper temporairement le cycle de refroidissement. Lorsque le cabinet à vins n'est pas utilisé pendant une longue période, débranchez la prise de courant et laissez la porte partiellement ouverte. Réglez la commande à la position "OFF" pour arrêter temporairement le cycle de refroidissement. Si le refroidisseur de vin ne doit pas être en marche pendant quelques temps, débranchez la prise et laissez la porte entre-ouverte.

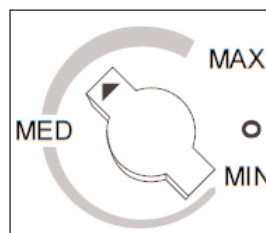


Fig. 1

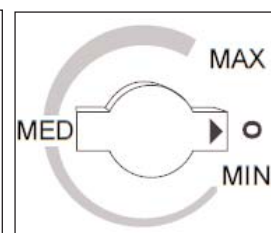


Fig. 2

INSTRUCTIONS DE FONCTIONNEMENT (suite)

ENTREPOSAGE DES VINS

La capacité *maximum du DWC310BLA / DWC350BLPA est 35 bouteilles du vin (750ml). * *Quand il est stocké en utilisant les instructions fournies.*

Afin de réaliser la capacité de stockage maximum de trente-cinq (35) bouteilles, il sera nécessaire de:

- 1) Placez quatre (4) bouteilles sur la première étagère, deux de chaque côté des commandes
- 2) Placez 5 bouteilles à travers, comme dans fig. A, sur les étagères deux (2) à six (6).
- 3) Puis, placez trois (3) bouteilles, suivant les indications de Fig. B, sur la étagère à deux niveaux inférieur, pour un total de six (6) bouteilles par rangée. Ceci te donnera un total capacité de chargement de 35 bouteilles.

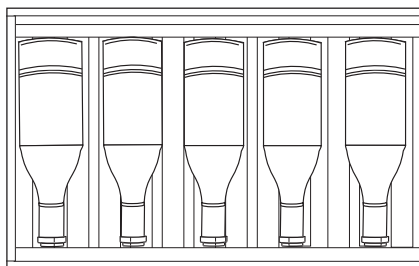


Fig. A

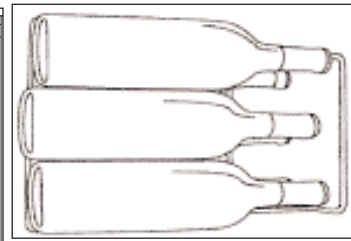


Fig. B

INSTRUCTIONS POUR TABLETTES

IMPORTANT ! Ne couvrez toute partie des étagères de papier d'aluminium ou d'aucun autre matériel qui empêcheront à circulation d'air proportionnée dans le coffret.

Pour enlever une tablette de la position verrouillée, incline l'étagère comme montré dans la figure C et tire à l'extérieur.

Pour réinstaller, assurez l'étagère se repose sur les supports et poussée la tablette vers l'intérieur jusqu'à ce qu'elle soit verrouillée en place.

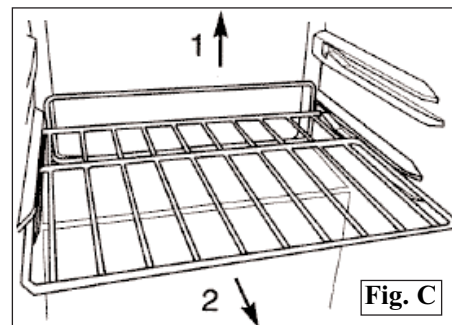


Fig. C

SOINS ET ENTRETIEN

CONSEILS UTILS

Après nettoyage, laissez la porte de la machine ouverte durant quelques minutes pour aérer et assécher l'intérieur de l'armoire. **NOTE :** Avant de nettoyer cet appareil, assurez-vous que l'alimentation est coupée.

COMMENT NETTOYER L'INTÉRIEUR

N'utilisez jamais de nettoyant industriels sur aucune partie de votre refroidisseur de vin

Parois, Plancher, Intérieur de la Visière et Tablettes:

Certaines éclaboussures d'eau et poussières peuvent être essuyées avec des essuie-tout. D'autres taches peuvent nécessiter un linge humide.

COMMENT NETTOYER L'EXTÉRIEUR

N'utilisez pas de produits nettoyants comprenant de l'ammoniaque ou de l'alcool sur l'appareil. L'ammoniaque ou l'alcool peuvent altérer le fini de l'appareil.

Extérieur de l'armoire:

Il est important de garder la région de scellement de la porte sur l'armoire propre. Nettoyez avec un tissu savonneux, rincez le région et puis séchez

Surface du Porte:

N'utilisez que des détergents doux, non abrasifs, appliqués avec une éponge propre ou un chiffon doux. Rincez abondamment.

Panneau de commande et Porte:

Essuyez avec un chiffon humide. Asséchez bien avec un chiffon sec. N'utilisez pas de nettoyants en aérosol, de grandes quantités d'eau et de savon, d'abrasifs ou d'objets acérés sur le panneau, ceci pourrait l'endommager. Certains essuie-tout peuvent aussi égratigner le panneau de commande et verre de la porte.

DÉPANNAGE

AVANT DE PLACER UN APPEL DE SERVICE

PROBLÈME	CAUSE PROBABLE	SOLUTION
1) L'appareil n'es pas alimenté.	<ul style="list-style-type: none">• Un fusible de votre panneau de distribution peut être grillé ou le disjoncteur déclenché.• Surtension.• La fiche n'est pas complètement insérée dans la prise murale.	<ul style="list-style-type: none">• Remplacez le fusible ou réarmez le disjoncteur.• Débranchez la refroidisseur de Vin et attendez quelques secondes, et puis rebranchez la.• Assurez-vous que la fiche à 3 branches de l'appareil est complètement insérée dans la prise.
2) La température dans la cabinet est trop haute.	<ul style="list-style-type: none">• Réglage du température.• Le porte n'est pas fermées correctement ou ouverte trop souvent.• Lumières Intérieures.• L'échappement est obstrué.• Stocké une grande quantité de bouteilles chaudes dans le cabinet.	<ul style="list-style-type: none">• Vérifiez que la commande est réglée le cabinet est trop haute. à la bonne arrangement.• Assurez-vous que la porte est fermées et que le joint étanche est contre le coffret. Ouvrez la porte seulement quand nécessaire.• Les lumières intérieures sont pour éclairage provisoire seulement. Ils ne sont pas censés d'être laissées allumées pendant des périodes prolongées• Vérifiez qu'il n'y a rien qui bloque l'échappement sur le devant.• Limitez la quantité de bouteilles chaudes qui sont stockées dans le cabinet en même temps. Essayez d'introduire progressivement des charge chaudes si possible.
3) L'eau de condensation sur le coffret et/ou les portes.	<ul style="list-style-type: none">• Niveau de humidité élevé dans la maison.• La porte n'est pas fermées correctement ou son ouverte trop souvent.	<ul style="list-style-type: none">• La formation de l'eau de condensation s'arrêtera quand le niveau d'humidité retours à normale.• Assurez-vous que la porte est fermée et que le joint étanche est contre le coffret. Ouvrez la porte seulement quand nécessaire.

Si aucune de ce qui précède ne rectifie la situation svp entrez en contact avec notre département de soin de client à **1-800-26-Danby® (1-800-263-2629)**

Danby®

GARANTIE LIMITÉE SUR APPAREIL ÉLECTROMÉNAGER À DOMICILE

Cet appareil de qualité est garanti exempt de tout vice de matière première et de fabrication, s'il est utilisé dans les conditions normales recommandées par le fabricant.

Cette garantie n'est offerte qu'à l'acheteur initial de l'appareil vendu par Danby Products Limited (Canada) ou Danby Products Inc. (E.- U. d'A) (ci-après "Danby") ou par l'un des ses distributeurs agréés et elle ne peut être transférée.

CONDITIONS

Les pièces en plastique sont garanties pour trente (30) jours seulement à partir de la date de l'achat, sans aucune prolongation prévue.

Première 12 mois Pendant les douze (12) mois, toutes pièces fonctionnelles de ce produit s'avèrent défectueuses, seront réparées ou remplacées, selon le choix du garant, sans frais à l'acheteur INITIAL.

Pour bénéficier du Service Le client sera responsable pour le transport et tous les frais d'expédition de tout appareil exigeant le service au dépôt de service autorisé le plus proche. S'adresser au détaillant qui a vendu l'appareil, ou à la station technique agréée de service la plus proche, où les réparations doivent être effectuées par un technicien qualifié. Si les réparations sont effectuées par quiconque autre que la station de service agréée ou à des fins commerciales, toutes les obligations de Danby en vertu de cette garantie seront annulées.

Limites de l'entretien à domicile Si l'appareil est installé à plus de 100 kilomètres (62 milles) du centre de service le plus proche, il doit être livré à l'atelier de réparation autorisé par Danby le plus proche, car l'entretien doit uniquement être réalisé par un technicien qualifié et certifié pour effectuer un entretien couvert par la garantie de Danby. Les frais de transport entre votre domicile et le lieu de l'entretien ne sont pas couverts par la présente garantie et doivent être acquittés par l'acheteur.

Cette garantie indique en aucun temps la responsabilité de Danby de l'avarie ou dommage de la vin ou autre contenu, soit par les vices de l'appareil, ou soit par l'utilisation convenable ou inexacte.

EXCLUSIONS

En vertu de la présente, il n'existe aucune autre garantie, condition ou représentation, qu'elle soit exprimée ou tacite, de façon manifeste ou intentionnelle, par Danby ou ses distributeurs agréés. De même, sont exclues toutes les autres garanties, conditions ou représentations, y compris les garanties, conditions ou représentations en vertu de toute loi régissant la vente de produits ou de toute autre législation ou règlement semblables.

En vertu de la présente, Danby ne peut être tenue responsable en cas de blessures corporelles ou des dégâts matériels, y compris à l'appareil, quelle qu'en soit les causes. Danby ne peut pas être tenue responsable des dommages indirects dus au fonctionnement défectueux de l'appareil. En achetant l'appareil, l'acheteur accepte de mettre à couvert et de dégager Danby de toute responsabilité en cas de réclamation pour toute blessure corporelle ou tout dégât matériel causé par cet appareil.

CONDITIONS GÉNÉRALES

La garantie ou assurance ci-dessus ne s'applique pas si les dégâts ou réparations sont dus aux cas suivants:

- 1) Panne de courant.
- 2) Dommages subis pendant le transport ou le déplacement de l'appareil.
- 3) Alimentation électrique incorrecte (tension faible, câblage défectueux, fusibles incorrects).
- 4) Accident, modification, emploi abusif ou incorrect de l'appareil tel qu'une circulation d'air inadéquate dans la pièce ou des conditions de fonctionnement anormales (température extrêmement élevée ou basse).
- 5) Utilisation dans un but commercial ou industriel (à savoir, si l'appareil n'est pas installé dans un domicile résidentiel).
- 6) Incendie, dommages causés par l'eau, vol, guerre, émeute, hostilités, cas de force majeure (ouragan, inondation, etc.).
- 7) Visites d'un technicien pour expliquer le fonctionnement de l'appareil au propriétaire.
- 8) Installation inappropriée (par exemple, encastrement d'un appareil autoportant, ou utilisation extérieure d'un appareil non conçu à cet effet).

Une preuve d'achat doit être présentée pour toute demande de réparation sous garantie. Prière de garder le reçu. Pour faire honorer la garantie, présenter ce document à la station technique agréée ou s'adresser à:

Danby Products Limited
PO Box 1778, 5070 Whitelaw RD, Guelph, Ontario, Canada N1H 6Z9
Telephone: (519) 837-0920 FAX: (519) 837-0449

1-800-263-2629

Danby Products Inc. PO Box 669,
1800 Production Drive Findlay, Ohio, U.S.A. 45840
Telephone: (419) 425-8627 FAX: (419) 425-8629

Danby®

Model • Modèle
DWC310BLA
DWC350BLPA

For service, contact your nearest service depot or call:

1-800-26-Danby®
(1-800-263-2629)

to recommend a depot in your area.

Pour obtenir de l'assistance, communiquez avec votre centre de service le plus rapproché ou composez le :

1-800-26-Danby®
(1-800-263-2629)

pour localiser le dépositaire de votre région

FREE-STANDING WINE COOLER

The model number can be found on the serial plate located on the back panel of the unit.

All repair parts are available for purchase or special order when you visit your nearest service depot. To request service and/or the location of the service depot nearest you, call the TOLL FREE NUMBER.

When requesting service or ordering parts, always provide the following information:

- **Product Type**
- **Model Number**
- **Part Description**

REFROIDISSEUR DE VIN POUR APPLICATION AUTONOME

Le numéro de modèle se trouve sur la plaque signalétique au dos de l'unité.

Vous pouvez vous procurer/commander toute pièce de rechange chez votre dépositaire le plus rapproché. Pour toute demande de service ou pour localiser le dépositaire/centre de service le plus rapproché, composez le NUMÉRO SANS FRAIS.

Pour toute demande de service ou commande de pièces, fournissez toujours l'information suivante :

- **Type de produit**
- **Numéro de modèle**
- **Description de la pièce requise**

Danby Products Limited, Guelph, Ontario Canada N1H 6Z9
Danby Products Inc., Findlay, Ohio USA 45840