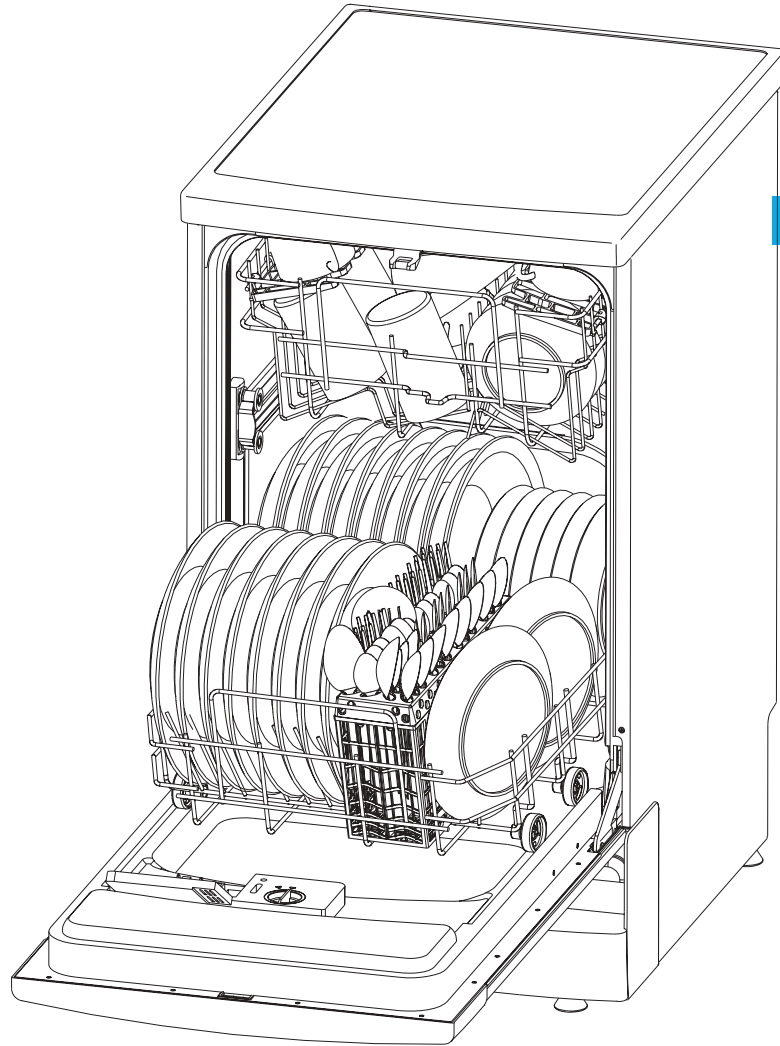


Dishwashers



Instruction Manual

DDW1805W

Write the model and serial numbers here:

Model # _____

Serial # _____

You can find them on the tub wall just inside the door or the lower part of the back.

SAVE THESE INSTRUCTIONS



Danby & You, A Service Partnership

Thank you for buying this product. As a home appliances producer, we are proud of our quality products and we are committed to providing dependable service. We are able to utilize our global resources in creating innovation that makes housework lighter and easier, and provide a truly comfortable home for you to relax and enjoy.



Read this Manual

This manual contains specific operating instructions, safety instructions and troubleshooting tips. Please take a moment to carefully read the contents of this manual thoroughly and familiarize yourself with all operational aspects of your new dishwasher. This information will help you to use and maintain the dishwasher properly. These instructions are not meant to cover every possible condition and/or situation that may occur. Common sense and caution must be practiced when installing, operating and maintaining any appliance.



Before Calling for Service

Before calling for service, review the section on troubleshooting tips. It may save you time and costly expense. This list includes common problems that are not the result of defective workmanship or materials in this appliance. NOTE: Never attempt to repair any equipment you are not properly qualified (trained) to service.



If You Need Service

If you can not solve the problems by yourself after reading the section on Troubleshooting Tips, please contact our professional Customer Service Centre at 1-800-26-DANBY (1-800-263-2629). Danby's Customer Service Centre is open Monday - Thursday from 8:30 a.m. to 5:00 p.m. and on Friday from 8:30 a.m. to 4:00 p.m. EST.

Operating Instructions

| | |
|-----------------------------------|-----|
| Control Panel | 2 |
| Dishwasher Features | 2 |
| Wash Cycle Table | 3 |
| Water Softener | 4 |
| Detergent Dispenser | 5 |
| Rinse Aid Dispenser | 5 |
| Loading the Dishwasher Rack | 6,7 |
| Turning On the Appliance | 7 |
| Filtering System | 8 |
| Caring for the Dishwasher | 8,9 |

Troubleshooting Tips

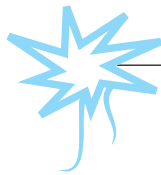
| | |
|----------------------------------|-------|
| Before calling for service | 10,11 |
|----------------------------------|-------|

IMPORTANT SAFETY INFORMATION

READ ALL INSTRUCTIONS BEFORE USING

WARNING!

When using your dishwasher, follow the basic precautions below.



WARNING! HYDROGEN GAS IS EXPLOSIVE

Under certain conditions, hydrogen gas may be produced in a hot-water system that has not been used for two weeks or more. **HYDROGEN GAS IS EXPLOSIVE.** If the hot-water system has not been used for such a period, before using the dishwasher turn on all hot-water faucets and let the water flow from each for several minutes. This will release any accumulated hydrogen gas. As the gas is flammable, do not smoke or use an open flame during this time.



GROUNDING INSTRUCTIONS

Power Cord Models

This appliance must be grounded. In the event of a malfunction or breakdown, grounding will reduce the risk of electric shock by providing a path of least resistance for electric current. This appliance is equipped with a cord having an equipment-grounding conductor and a grounding plug. The plug must be plugged into an appropriate outlet that is installed in an accordance with all local codes and ordinances.

WARNING!

Improper connection of the equipment-grounding conductor can result in a risk of electric shock. Check with a qualified electrician or service representative if you are in doubt whether the appliance is properly grounded. Do not modify the plug provided with the appliance? If it will not fit the outlet, have a proper outlet installed by a qualified electrician.

Cable Direct

This appliance must be connected to a grounded metal, permanent wiring system, or an equipment-grounding conductor must be run with the circuit conductors and connected to the equipment-grounding terminal or lead on the appliance.



WARNING! PROPER USE

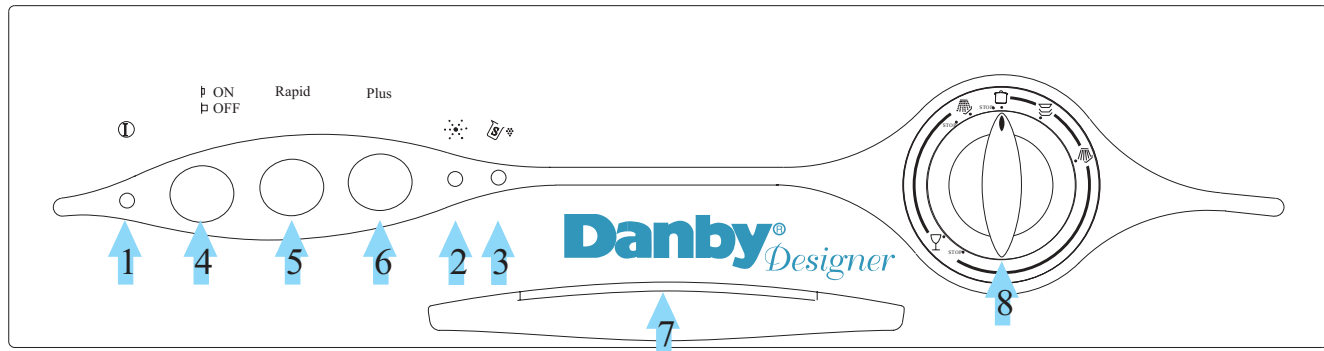
- n Do not abuse, sit or stand on the door or dishrack of the dishwasher.
- n Do not touch the heating element during or immediately after use.
- n Do not wash plastic items unless they are marked dishwasher safe. For unmarked plastic items, check the manufacturer's recommendations.
- n Use only detergent and rinse additives designed for an automatic dishwasher. Never use soap, laundry detergent, or hand washing detergent in your dishwasher. Keep these products out of the reach of children.
- n Keep children away from the detergent and rinse aid, and from the open door of the dishwasher, as there could still be some detergent left inside.
- n The door should not be left in the open position as this could present a tripping hazard.
- n During installation, the power supply must not be excessively or dangerously bent or flattened.
- n To reduce the risk of injury, do not allow children to play in or on a dishwasher.
- n Do not operate your dishwasher unless all enclosure panels are properly in place. Open the door very carefully if the dishwasher is operating, there is a risk of water spraying out.
- n Do not place any heavy objects on the door when it is open. The appliance could tip forward.
- n When loading items to be washed:
 - 1) Load sharp items so that they are not likely to damage the door seal
 - 2) Load sharp knives with the handles up to reduce the risk of cuts.
- n When using your dishwasher, you should prevent plastic items from coming in contact with the heating element.
- n If the supply cord is damaged, it must be replaced by the manufacturer, its service agent or a qualified technician to avoid a hazard.
- n Please dispose of packing materials properly.
- n Use the dishwasher only for its intended function.
- n Remove the door to the washing compartment when removing an old dishwasher from service or discarding it.
- n Do not tamper with the controls.

READ AND FOLLOW THIS SAFETY INFORMATION CAREFULLY

SAVE THESE INSTRUCTIONS

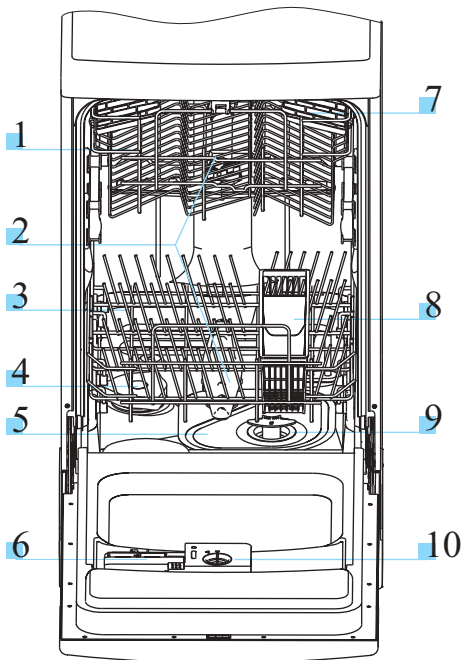
CONTROL PANEL

Model: DDW1805W

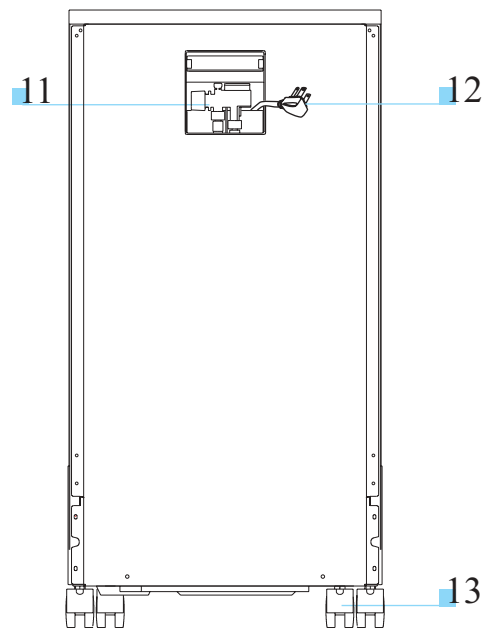


- 1** Power ON Light: Illuminates when the ON/OFF Button is pressed down.
- 2** Rinse Aid Warning Light: Illuminates when the dispenser needs to be refilled.
- 3** Salt Warning Light: Illuminates when the water softener needs to be refilled.
- 4** ON/OFF Button: Turns on/off the power supply.
- 5** Rapid Button: Only used with cycle "▽".
- 6** Plus Button: Only used with cycle "□".
- 7** Door Handle: Pull to open the door.
- 8** Washing Program Selector: Turn the dial clockwise to select the desired wash cycle.

DISHWASHER FEATURES





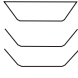




Front View
(Door open)



Back View

- | | | | |
|-----------------------|------------------------------|----------------------------|--|
| 1 Upper Basket | 4 Water Softener | 7 Cup Shelf | 10 Rinse Aid Dispenser |
| 2 Spray Arms | 5 Main Filter | 8 Silverware Basket | 11 Portable Faucet Adapter Assembly |
| 3 Lower Basket | 6 Detergent Dispenser | 9 Coarse Filter | 12 Power Cord |
| | | | 13 Castors |

WASH CYCLE TABLE(DDW1805W)

| Program | Cycle | Plus Button | Rapid Button | Cycle Selection Information | Description of Cycle | Detergent pre/main | Rinse Aid |
|-----------|--|-------------|--------------|---|---|--------------------|-----------|
| Normal |  Normal Wash (IEC-EN 50242) | | | For normally soiled loads, such as pots, plates, glasses and lightly soiled pans. Standard Daily Cycle. | Pre-rinse Wash (60°) Rinse Rinse (72°) Drying | 4/20 gr. | ★ |
| Intensive |  Normal Wash | ★ | | For heavily soiled loads, such as pots, pans, casserole dishes and dishes with dried food. | Pre-rinse(50°) Wash (60°) Rinse Rinse Rinse (72°) Drying | 4/20 gr. | ★ |
| Economic |  Light Wash | | | For lightly soiled loads, such as plates, glasses, bowls and lightly soiled pans. | Wash (60°) Rinse Rinse (72°) Drying | 20 gr. | ★ |
| Rinse |  Rinse | | | For dishes that need to be rinsed and dried only. | Rinse Rinse (68°) Drying | | ★ |
| Glass |  Glassware | | | For lightly soiled loads, such as glasses, crystal and fine china. | Rinse (45°) Rinse (72°) Drying | 15 gr. | |
| Rapid |  Glassware | | ★ | A shorter wash for lightly soiled loads that do not need drying. | Rinse (45°) Rinse (50°) Drying | 15 gr. | |
| Soak |  Soak | | | Use to rinse the dishes that you plan to wash later that day. | Pre-rinse | | |

WASH CYCLE ADJUSTMENT BUTTONS

Plus Button

This button (see "Control panel ") is used with the normal cycle where pots and pans have dry, caked-on food.

This is not recommended for delicate items as the high temperature could make their surfaces opaque or their decorative colors lighten after repeated washings.

Rapid Button

This button (see "Control panel") when used with wash cycle 4 (glassware) makes it possible to run the wash cycle at a lower temperature (50°C) and eliminates the drying phase.

WATER SOFTENER

There are two ways to reduce the water hardness: one way is by using water softener, the other is by using detergent.

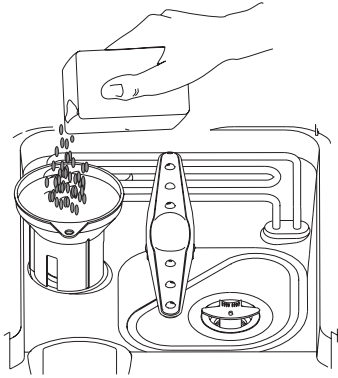
The hardness of the water varies from place to place. If hard water is used in the dishwasher, deposits will form on the dishes and utensils.

The appliance is equipped with a special softener that uses salt specifically designed to eliminate lime and minerals from the water.

Loading the Salt into the Softener

Always use salt intended for use with dishwashers.

The salt container is located beneath the lower rack and should be filled as follows:

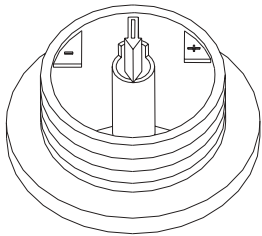


- 1 Remove the lower basket and unscrew and remove the cap from the salt container.
- 2 If you are filling the container for the first time, fill 2/3 of its volume with water.
- 3 Place the end of the salt filter(supplied) into the hole and introduce about 2kg of salt. It is normal for a small amount of water to come out of the salt container.
- 4 Carefully screw on the cap.

NOTE: 1. The salt container must be refilled when the salt warning light comes on. Though the salt container is filled, the indicator light may not black out before the salt fully dissolves.
2. If there are spills of salt, a soak program could be run to clean the spills.

Adjusting Salt Consumption

The dishwasher is designed to allow for adjusting the amount of salt consumed based on the hardness of the water used. This is intended to optimize and customize the level of salt consumption.



- 1 Unscrew the cap from the salt container.
- 2 There is a ring on the container with an arrow on it (see Figure to the side). If necessary, rotate the ring in the counterclockwise direction from the "-" setting toward the "+" sign, based on the hardness of the water being used. It is recommended that adjustments should be made in accordance with the following chart:

| WATER HARDNESS | | | Selector Position | Salt consumption (gram/cycle) | Auto nomy (cycles/2kgs) |
|----------------|-------|---------|-------------------|-------------------------------|-------------------------|
| Clarke Degrees | °dH | mmol/l | | | |
| 0~14 | 0~10 | 0~1.7 | - | 0 | / |
| 14~36 | 18~44 | 1.8~4.4 | / | 20 | 60 |
| 36~71 | 45~89 | 4.5~8.9 | MED | 40 | 40 |
| 71 | 89 | 8.9 | + | 60 | 25 |

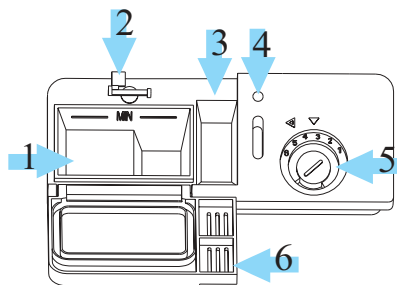
Contact your local water board for information on the hardness of your water supply.

DETERGENT DISPENSER

The dispenser must be refilled before the start of each wash cycle according to the instructions provided in the " Wash Cycle Table". Our dishwashers use less detergent and rinse aid than conventional dishwashers. Generally, only one tablespoon of detergent is needed for a normal wash load. More heavily soiled items need more detergent. Always add the detergent just before starting dishwasher, otherwise it could get damp and will not dissolve properly.

Amount of Detergent to Use

IF THE WATER ISN'T TOO HARD, YOU MAY ALSO PREVENT THE FORMATION OF DEPOSITS BY ADDING DETERGENT. The amount of detergent needed can vary due to differences in water hardness. To determine the water hardness in your area, contact your local water utility or area water softening company. The harder the water, the more detergent you may need. Remember, you should adjust the amount of detergent you use little by little until you find the correct amount.

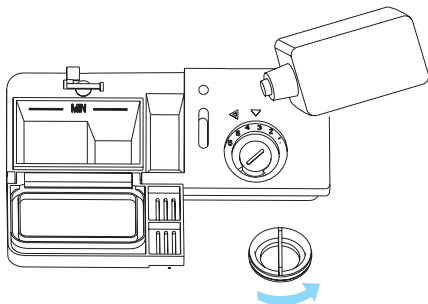


- 1 Main Wash Detergent
- 2 Dispenser Lid lever
- 3 Prewash Detergent Compartment
- 4 Rinse Aid Level Indicator
- 5 Rinse Aid Compartment
- 6 Detergent Compartment Lid

▲ WARNING!

Dishwasher detergent is corrosive! Take care to keep it out of the reach of children.

RINSE AID DISPENSER



- To open the dispenser, turn the cap to the "open" (left) arrow and lift it out.
- Pour the rinse aid into the dispenser, being careful not to overfill.
- Replace the cap by inserting it aligned with "open" arrow and turning it to the "close" (right) arrow.

Removing Hard Water Spots From Dishes

To remove hard water spots, try the following:

- Run dishes through a normal wash program.
- Remove all metal dishware, such as cutlery, pans, etc., from the dishwasher.
- Do not add detergent.
- Pour two cups of vinegar into a bowl and set the bowl face up on the lower rack of the dishwasher.
- Run the dishes through a normal wash program.

If this doesn't work, try the same process with 1 / 4 cup of citric acid crystals instead of vinegar.

Proper Use of Detergent

Use only detergent specifically made for use in dishwashers. Keep your detergent fresh and dry. Don't put powder detergent into the dispenser until you are ready to wash dishes.

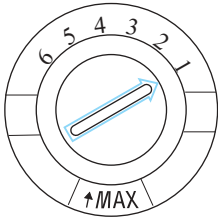
The rinse aid is released during the final rinse to prevent water from forming droplets on your dishes that can leave spots and streaks. It also improves drying by allowing water to "sheet" off the dishes.

Our dishwashers are designed to use liquid rinse aids. The rinse aid dispenser is located inside the door next to the detergent dispenser. To fill the dispenser, open the cap and pour the rinse aid into the dispenser until the level indicator turns completely black. The dispenser holds about 100 ml of liquid rinse aid.

Be careful not to overfill the dispenser, because this could cause over sudsing. Wipe away any spills with a damp cloth. Don't forget to replace the cap before you close the dishwasher door.

If you have soft water, you may not need rinse aid as it may cause a white film to develop on your dishes.

Adjusting Rinse Aid Dispenser

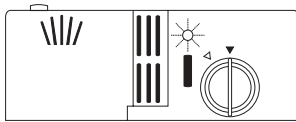


A measured amount of rinse aid is released during the final rinse. As with detergent, the amount of rinse aid needed for your dishes depends on the hardness of the water in your area. Too much rinse aid can result in lather or foaming and can cause cloudiness or streaks on your dishes. If the water in your area is very soft, you may not need rinse aid. If you do, you can dilute the rinse aid with an equal amount of water.

The rinse aid dispenser has six settings. Always start with the dispenser set on "1". If spots and poor drying are problems, increase the amount of rinse aid dispensed by removing the dispenser lid and rotating the dial to "2". If the dishes still are not drying properly or are spotted, adjust the dial to the next higher number until your dishes are spot-free. We suggest the setting of "4".

When to Refill the Rinse Aid Dispenser

When the rinse aid dispenser is empty, the rinse aid warning light (on control panel) will illuminate, indicating the dispenser needs to be refilled. The black dot on the rinse aid dispenser indicated the amount of rinse aid in the dispenser. As the rinse aid diminishes, the size of the black dot decreases. You should never let the rinse aid get below 1/4 full.



As the rinse aid diminishes, the size of the black dot on the rinse aid level indicator changes, as illustrated below.

- Full
- 3 / 4 full
- 1 / 2 full
- 1 / 4 full - Should refill to eliminate spotting
- Empty

Loading the Dishwasher Racks

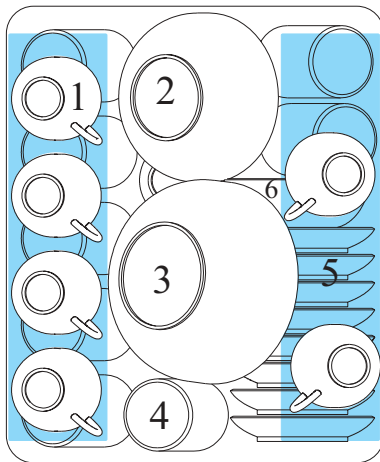
For best performance, follow these loading guidelines. Features and appearance of racks and silverware baskets may vary from your model.

How to use the Upper Rack

The upper rack is designed to hold more delicate and lighter dishware such as glasses, coffee and tea cup and saucers, as well as plates, small bowls and lightly soiled shallow pans.

Position the dishes and cookware so that they do not get moved by the spray of water.

The upper rack can be adjusted for height by putting wheels of different height into the rails.



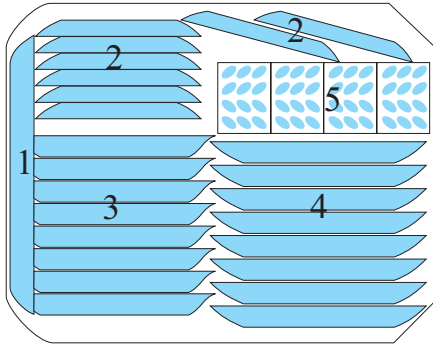
- 1 Cups
- 2 Small serving bowl
- 3 Large serving bowl
- 4 Glasses
- 5 Saucers
- 6 Dish
- 7 Plates

How to use the Lower Rack

We recommend that you place large items in the lower rack: pots, pans, lids, serving dishes and bowls, as shown below.

It is preferable to place serving dishes and lids on the side of the racks in order to avoid blocking the rotation of the top spray arm.

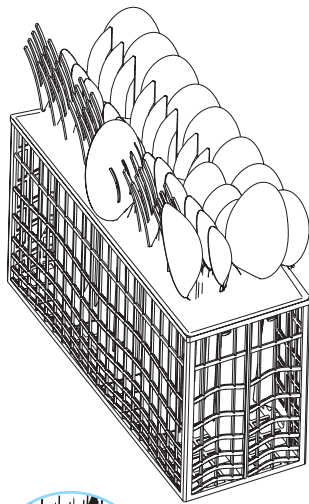
- Pots, serving bowls, etc, must always be placed top down.
- Deep pots should be slanted to allow water flow.
- The bottom rack features fold down tine rows so that larger or more pots and pans can be loaded.



- 1 Oval platter
- 2 Dinner plates
- 3 Soup plates
- 4 Dessert dishes
- 5 Silverware basket

SILVERWARE BASKET

Silverware should be placed in the silverware basket with handles at the bottom: If the rack has side baskets, the spoon should be loaded individually in the appropriate slots. Long utensils should be placed in the horizontal position at the front of the upper rack.



| | | | |
|---|---|---|---|
| 1 | 4 | 5 | 2 |
| 1 | 4 | 5 | |
| 1 | 4 | 5 | 2 |
| 1 | 4 | 5 | 2 |
| 1 | 4 | 5 | 2 |
| 7 | 4 | 5 | 2 |
| 8 | 3 | 5 | |
| 1 | 3 | 3 | 2 |
| 1 | 3 | 3 | 2 |
| 6 | 3 | 6 | 2 |

- 1 Forks
- 2 Soup spoons
- 3 Dessert spoons
- 4 Teaspoons
- 5 Knife
- 6 Serving spoon
- 7 Gravy ladle
- 8 Serving fork



▲ WARNING!

Do not let any item extend through the bottom of the basket.

TURNING ON THE APPLIANCE

Starting a wash cycle. . .

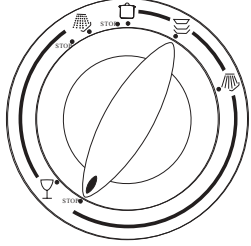
- 1 Make sure that the plug for the appliance is inserted into the wall socket.
- 2 Make sure that the water supply is turned on to full pressure.
- 3 Load the dishwasher(see the section entitled, " Loading the Dishwasher ").
- 4 Pour in the detergent(see the section entitled, " Salt, Detergent and Rinse Aid ").
- 5 Turn the dial located on the right of the control panel in the clockwise direction until the number or the symbol for the cycle setting is aligned with the reference mark (see the section entitled, " Wash Cycle Table ").
- 6 Press the ON/ OFF button, and the ON/OFF light will turn on. At this point, the wash cycle will begin.

Cancelling or modifying a wash cycle setting. . .

A cycle that is underway can only be modified if it has only been running for a short time. Otherwise, the detergent may have already been released, and the appliance may have already drained the wash water. If this is the case, the detergent dispenser must be refilled (see the paragraph entitled "Loading the Detergent").

Press the ON/OFF button, and the ON light will turn off. Rotate the dial in the clockwise direction to the desired cycle setting (see the section entitled "Starting a wash cycle. . ."). Then, turn the dishwasher back on using the ON/OFF button.

At the End of the Wash Cycle



When the dial stops turning and is aligned with the STOP mark (see figure), the cycle has finished. Turn off the appliance using the ON/OFF button, shut off the water supply and open the door of the dishwasher. Wait a few minutes before unloading the dishwasher to avoid handling the dishes and utensils while they are still hot and more susceptible to breakage.

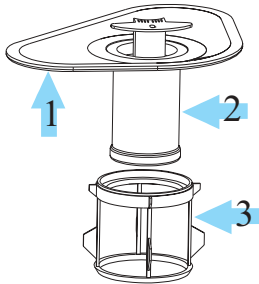
Forget to Add a Dish?

A forgotten dish can be added any time before the detergent cup opens.

- 1 Pull the door handle.
- 2 Do not open the door until the water spray action stops. Steam may rise out of the dishwasher.
- 3 Add forgotten dishes.
- 4 Push the door to close. When the door is properly closed, a click will sound.

FILTERING SYSTEM

For your convenience, we have placed the drain pump and filtering system within easy reach inside the tub. There are three components of the filtering system: the main filter, the coarse filter, and the fine filter.



- 1 Main filter
Food and soil particles trapped by this filter are pulverized by a special jet on the lower spray arm and washed down the drain.
- 2 Coarse filter
Larger items, such as pieces of bone or glass, that could clog the drain are trapped in the coarse filter. To remove an item caught in this filter, gently squeeze the tabs on top of this filter and lift it out.
- 3 Fine filter
This filter holds soil and food residue in the sump area and prevents it from being redeposited on the dishes during a cycle.

CARING FOR THE DISHWASHER

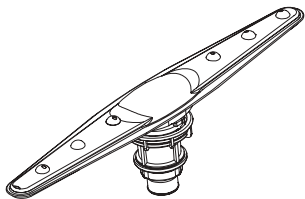
To clean the control panel use a lightly dampened cloth then dry thoroughly. To clean the exterior use a good appliance polish wax.

Never use sharp objects, scouring pads or harsh cleaners on any part of the dishwasher.

Protect Against Freezing

If your dishwasher is left in an unheated place during the winter, ask a service technician to:

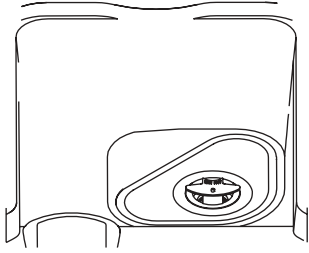
- 1 Cut off electrical power to the dishwasher and remove fuses or trip circuit breaker.
- 2 Turn off the water supply and disconnect the water inlet pipe from the water valve.
- 3 Drain the water from the inlet pipe and water valve. (Use a pan to catch the water.)
- 4 Reconnect the water inlet pipe to the water valve.
- 5 Remove the plastic sump cover in the tub the bottom and use a sponge to soak up the water in rubber boot.



Cleaning the Spray Arms

It is necessary to clean the spray arms regularly as hard water chemicals will clog the spray arm jets and bearings. To remove the spray arm, screw off the nut to take out the washer on top of the spray arm and remove the arm. Wash the arms in soapy, warm water and use a soft brush to clean the jets. Replace after rinsing them thoroughly.

Cleaning the Filters



Filter assembly

For best performance and results, the filter assembly must be cleaned.

The filter efficiently removes food particles from the wash water, allowing it to be recirculated during the cycle. For this reason, it is a good idea to remove the larger food particles trapped in the filter after each wash cycle by rinsing the semicircular filter and cup under running water. To remove the filter assembly, pull on the cup handle in the upward direction. The entire filter assembly should be cleaned at least once a month.

To clean the coarse filter and the fine filter, use a cleaning brush. Then, reassemble the filter parts as shown in the figure at left and reinsert the entire assembly in the dishwasher, positioning in its seat and pressing downward.

The dishwasher must never be used without the filters. Improper replacement of the filter may reduce the performance level of the appliance and may damage dishes and utensils.

▲ WARNING!

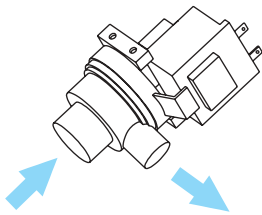
Never run the dishwasher without the filters in place.

Cleaning the Door

To clean the edge around the door, you should use only a soft warm, damp rag. To prevent penetration of water into the door lock and electrical components, do not use a spray cleaner of any kind.

Also, never use abrasive cleaners or scouring pads on the outer surfaces because they will scratch the finish. Some papers towels can also scratch or leave marks on the surface.

Cleaning the Drain Pump



Something will occasionally move into the filters and the drain pump. If this occurs, the drain pumps employed in our dishwashers are designed to automatically reverse, ejecting the item back into the sump area or down the drain. If you have to remove an obstacle from the drain pump, before you remove the filters, you should turn off the power; Then remove the small black insert from the sump area. (You might want to remove any standing water first). Scoop out the item that is probably in the sump area and causing the obstruction. Remember to replace the black insert before replacing the filters.

How to Keep Your Dishwasher Running Properly

■ After Every Wash

After every wash, turn off the water supply to the appliance and leave the door slightly ajar so that moisture and odors are not trapped inside.

■ No Solvents or Abrasive Cleaning Products

To clean the exterior and rubber parts of the dishwasher, do not use solvents or abrasive cleaning products. Use only a cloth and warm, soapy water. To remove spots or stains from the surface of the interior, use a cloth dampened with warm water and a little white vinegar, or a cleaning product made specifically for dishwashers.

■ When You Go on Holiday

When you go on holiday, it is recommended that you run a wash cycle with the dishwasher empty and then remove the plug from the socket, turn off the water supply and leave the door of the appliance slightly ajar. This will help the seals last longer and prevent odors from forming in the appliance.

■ Seals

One of the factors that cause odors to form in the dishwasher is food that remains trapped in the seals. Periodic cleaning with a damp sponge will prevent this from occurring.

OVERFLOW CONDITIONS:

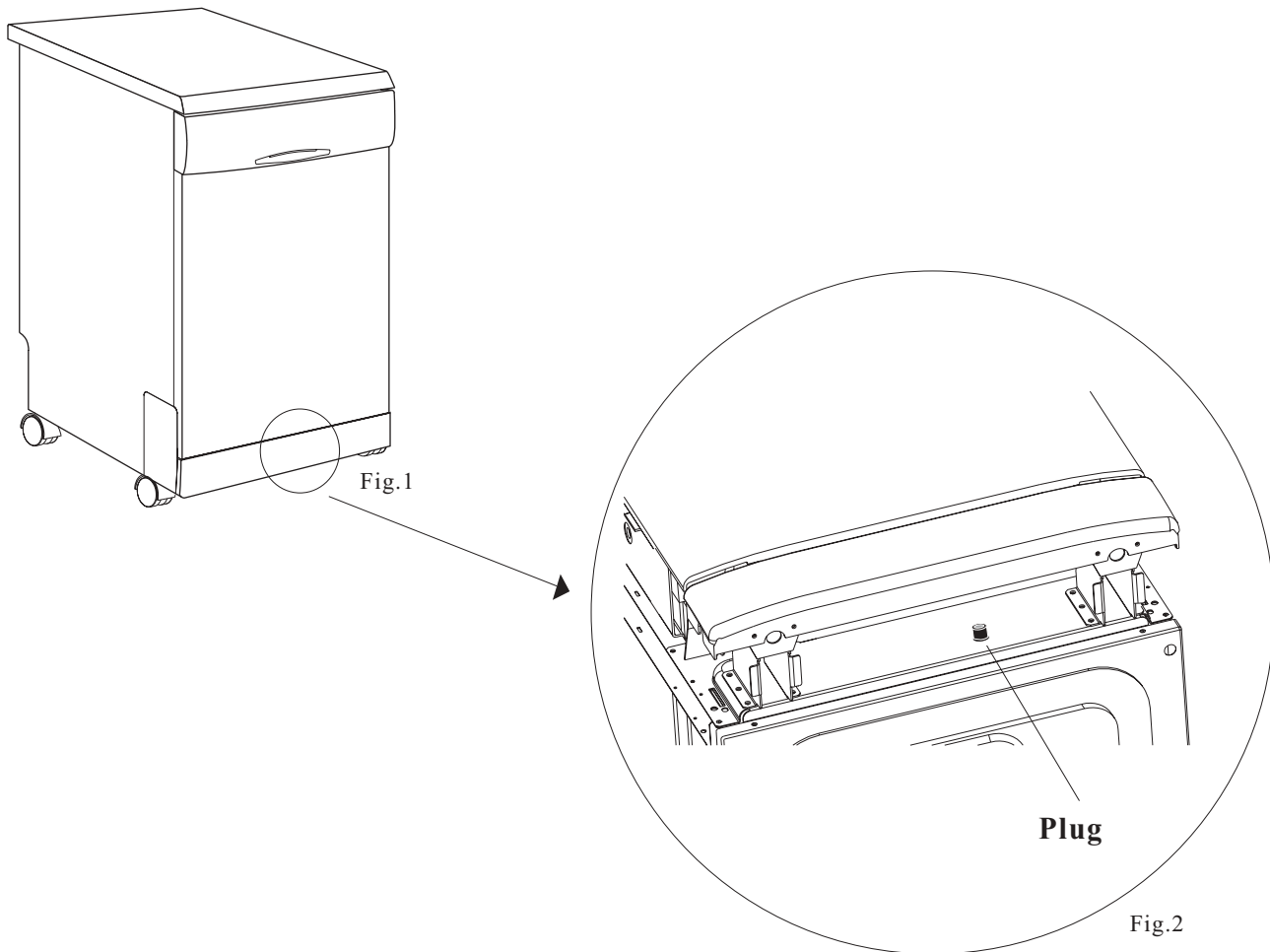
The dishwasher is designed to detect/monitor water overflow conditions. The overflow tube is located in the lower (well) section of the inner door liner. This tube must be kept free and clear of obstructions and debris. In the event of an overflow condition, the water level rises above the height of the overflow tube and is directed into the overflow container. (located behind lower kick-plate)

When the water level reaches a predetermined height, the float switch is activated closing power to the water inlet valve and automatically turns on the pump to evacuate the water inside the tub only. The accumulated water inside the float container must be discharged manually before the dishwasher can be re-started. To empty the float container, follow the instructions below.

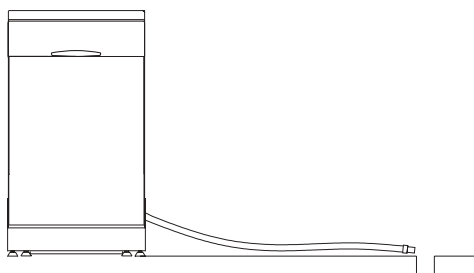
PORTABLE DISHWASHER (MODEL):

- Disconnect the dishwasher from the electrical power supply.
- Disconnect the hose assembly from the faucet (water) supply.
- Keep the dishwasher upright at all times.
- The overflow container (water plug) is located behind the lower kick-plate. (See Fig. 1)
- Remove 4 screws from the underside of the kick-plate.
- Pull the kick-plate toward you. This will require applying a little force.
- Remove the black rubber “plug” located at the front bottom of the metal plate. (See Fig. 2)
- Allow the water to drain into a cup/container.
- Replace the rubber “plug”, making sure it is secure.
- Replace the lower kick-plate. (snap into position)
- It is not necessary to replace the 4 kick-plate screws removed earlier.

The dishwasher is now ready to be restarted.

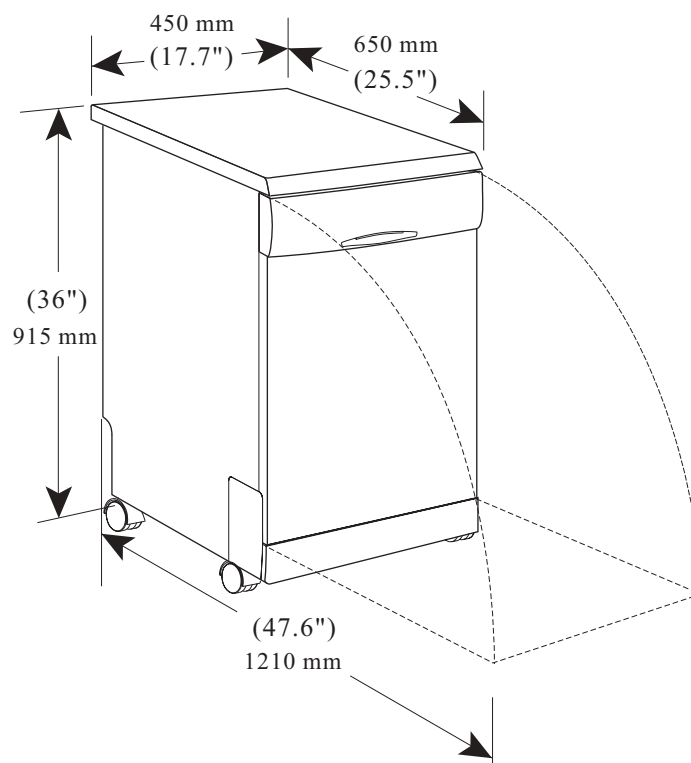


How to Drain Excess Water



If the sink is 34 inches or higher from the floor, the excess water in Unicouple hoses cannot be drained directly into the sink. It will be necessary to drain excess water from hoses into a bowl or suitable container that is held outside and lower than the sink.

DIMENSIONS mm / (Inches)



BEFORE CALLING FOR SERVICE . . .

Troubleshooting Tips

Review the chart on the following pages before calling for service.



| <i>Problem</i> | <i>Possible Causes</i> | <i>What To Do</i> |
|--|---|--|
| <i>Dishwasher doesn't run</i> | Fuse blown, or the circuit breaker acted | Replace fuse or reset circuit breaker. Remove any other appliances sharing the same circuit with the dishwasher |
| | Power supply is not turned on | Make sure the dishwasher is turned on and the door is closed securely. Make sure the power cord is properly plugged into the wall socket. |
| | Water pressure is low | Check that the water supply is connected properly and the water is turned on. |
| <i>Drain pump doesn't stop</i> | Overflow | The system is designed to detect an overflow. When it does, it shuts off the circulation pump and turns on the drain pump. |
| <i>Noise</i> | Some audible sounds are normal | Sound from soft food shredding action and detergent cup opening. |
| | Utensils are not secure in the baskets or something small has dropped into the basket | Ensure everything is secured in the dishwasher. |
| | Motor hums | Dishwasher has not been used regularly. If you do not use it often, remember to set it to fill and pump out every week, which will help keep the seal moist. |
| <i>Suds in the tub</i> | Improper detergent | Use only the special dishwasher detergent to avoid suds. If this occurs, open the dishwasher and let the suds evaporate. Add 1 gallon of cold water to the tub. Close and latch the dishwasher, then drain out the water by slowly turning the dial until a drain period is reached. Repeat if necessary. |
| | | Spilled rinse agent |
| <i>Stained tub interior</i> | Detergent with coloring was used | Make sure that the detergent used is without coloring. |
| <i>Dishes are not dry</i> | Rinse agent dispenser is empty | Make sure that the rinse agent dispenser is filled. |
| <i>Dishes and flatware are not clean</i> | Improper program | Select stronger program |
| | Improper rack loading | Make sure that the action of the detergent dispenser and spray arms are not blocked by large dishware. |
| <i>Spots and filming on glasses and flatware</i> | <ol style="list-style-type: none"> 1 Extremely hard water 2 Low inlet temperature 3 Overloading the dishwasher 4 Improper loading 5 Old or damp powder detergent 6 Empty rinse agent dispenser 7 Incorrect dosage of detergent | <p>To remove spots from glassware:</p> <ol style="list-style-type: none"> 1 Remove all metal utensils from the dishwasher. 2 Do not add detergent. 3 Choose the longest cycle. 4 Start the dishwasher and allow it to run for about 18 to 22 minutes, then it will be in the main wash. 5 Open the door to pour 2 cups of white vinegar into the bottom of the dishwasher. 6 Close the door and let the dishwasher complete the cycle. If the vinegar does not work: Repeat as above, except use 1/4 cup (60 ml) of citric acid crystals instead of vinegar. |

BEFORE CALLING FOR SERVICE . . .



| <i>Problem</i> | <i>Possible Causes</i> | <i>What To Do</i> |
|--|--|--|
| <i>Glassware is cloudy</i> | Combination of soft water and too much detergent | Use less detergent if you have soft water and select a shortest cycle to wash the glassware and to get them clean. |
| <i>Yellow or brown film on inside surfaces</i> | Tea or coffee stains | Using a solution of 1/2 cup of bleach and 3 cups warm water to remove the stains by hand. ⚠ WARNING You have to wait for 20 minutes after a cycle to let the heating elements cool down before cleaning the interior; otherwise, burns will happen. |
| | Iron deposits in water can cause an overall film | Call a water softener company for a special filter. |
| <i>White film on inside surface</i> | Hard water minerals | To clean the interior, use a damp sponge with dishwasher detergent and wear rubber gloves. Never use any other cleaner than dishwasher detergent for the risk of foaming or suds. |
| <i>Detergent left in dispenser cups</i> | Dishes block detergent cups | Re-loading the dishes properly. |
| <i>Steam</i> | Normal phenomenon | There is some steam coming through the vent by the door latch during drying and water draining. |
| <i>Black or gray marks on dishes</i> | Aluminum utensils have rubbed against dishes | Use a mild abrasive cleaner to eliminate marks. |
| <i>Water standing in the bottom of the tub</i> | This is normal | A small amount of clean water around the outlet on the tub bottom at the back of the tub keeps the water seal lubricated. |
| <i>Water doesn't pump out of the tub</i> | Drain is clogged | Make sure the kitchen sink is draining well. If the dishwasher drains into a disposer, run it clear. |
| <i>Dishwasher leaks</i> | Overfill dispenser or rinse aid spills | Be careful not to overfill the rinse aid dispenser. Spilled rinse aid could cause oversudsing and lead to overflowing. Wipe away any spills with a damp cloth. |
| | Dishwasher isn't level | Make sure the dishwasher is level. |

NOTE:

Continuing research results in steady improvement. Therefore, this information and these specifications are subject to change without notice.



FREE STANDING DISHWASHER LIMITED IN-HOME PRODUCT WARRANTY

This quality product is warranted to be free from manufacturer's defects in material and workmanship, provided that the unit is installed and operated in compliance with the installation and operating conditions intended by the manufacturer.

This warranty is available only to the person to whom the unit was originally sold by Danby, or by an authorized distributor of Danby, and is non-transferable.

TERMS OF WARRANTY

First Year Warranty During the first year (1), from the original date of purchase, any electrical part(s) of this product found to be defective in materials or workmanship will be repaired or replaced, at warrantor's option, at no charge to the ORIGINAL purchaser.

Second Year Limited Warranty During the second year (2), from the original date of purchase any part(s) including the wash motor, drain pump, spray arms (excluding hoses/clamps) and dishracks found to be defective in materials or workmanship will be repaired or replaced, at warrantor's option, at no charge to the ORIGINAL purchaser.

Ten Year Limited Warranty During the third through tenth year, from the original date of purchase, any defect in material or workmanship to the stainless steel tub or stainless door liner (resulting in water leakage) will be repaired or replaced at warrantor's option.

Stainless Steel Tub and Door Liner This warranty is limited to the cost of replacement components only.

NOTE: The customer shall be responsible for any/all charges incurred as a result of (repair) labour cost and/or transportation (pick-up and delivery) charges associated with the repair and/or replacement of the stainless steel tub and/or stainless steel door liner.

Nothing within this warranty shall imply that Danby will be responsible or liable for any damage to any items placed in this appliance, whether due to any defect of the appliance, or its use, whether proper or improper.

EXCLUSIONS

Save as herein provided, Danby, there are no other warranties, conditions, representations or guarantees, express or implied, made or intended by Danby or its authorized distributors and all other warranties, conditions, representations or guarantees, including any warranties, conditions, representations or guarantees under any Sale of Goods Act or like legislation or statute are hereby expressly excluded. Save as herein provided, Danby, shall not be responsible for any damages to persons or property, including the unit itself, howsoever caused or any consequential damages arising from the malfunction of the unit and by the purchase of the unit, the purchaser does hereby agree to indemnify and save harmless Danby from any claim for damages to persons or property caused by the unit.

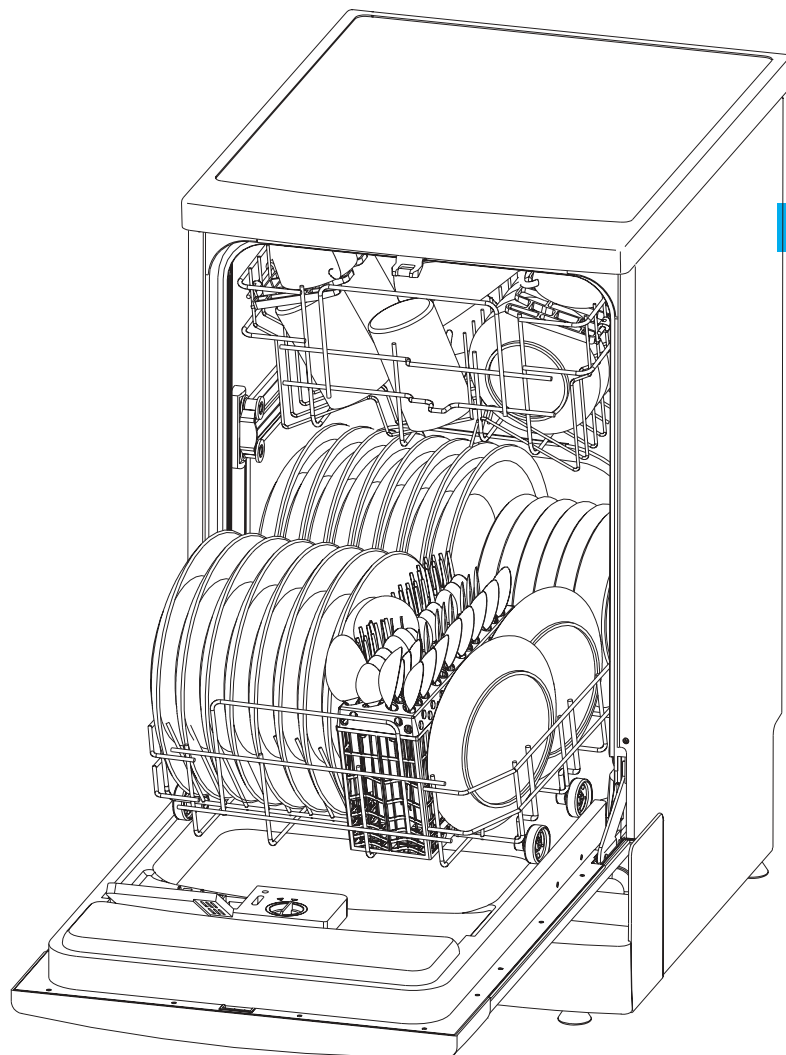
GENERAL PROVISIONS

No warranty or insurance herein contained or set out shall apply when damage or repair is caused by any of the following:

- 1) Improper Installation
- 2) Power Failure.
- 3) Damage in transit or when moving the appliance.
- 4) Improper power supply such as low voltage, defective house wiring or inadequate fuses.
- 5) Accident, alteration, abuse or misuse of the appliance such as inadequate air circulation in the room or abnormal operating conditions.
- 6) Use for commercial or industrial purposes.
- 7) Fire, water damage, theft, war, riot, hostility, acts of God such as hurricanes, floods etc.
- 8) Service calls resulting in customer education.

Proof of purchase date will be required for warranty claims; so, please retain bills of sale. In the event warranty service is required, present this document to our AUTHORIZED SERVICE AGENT.

Lave-vaisselle



Manuel d'utilisation

DDW1805W

*Inscrivez les numéros de
modèle et de série ci-dessous :*

N° de modèle _____

N° de série _____

Ces numéros apparaissent sur la paroi de
la cuve de lavage juste à l'intérieur de la
porte ou en bas à l'arrière de l'appareil.

GARDER CES INSTRUCTIONS

Un partenariat voué au service

Nous vous remercions d'avoir acheté ce produit. En tant que fabricant d'appareils ménagers domestiques, nous sommes fiers de la qualité de nos produits et, nous sommes déterminés à vous fournir un service des plus fiable. Nous sommes en mesure de profiter de nos ressources mondiales pour créer des produits innovateurs qui facilitent le ménage à la maison et qui vous aident à créer un environnement véritablement confortable.



Lisez ce manuel

Ce manuel contient des instructions d'utilisation, des instructions de sécurité spécifiques et des conseils relatifs au dépannage. Prenez un moment pour lire attentivement le contenu de ce manuel pour vous familiariser avec les aspects opérationnels de votre nouveau lave-vaisselle. Ces renseignements vous aideront à utiliser et à entretenir le lave-vaisselle comme il se doit. Ces instructions n'ont pas pour but de couvrir l'ensemble des conditions possibles et/ou des situations susceptibles de se produire. Comme avec tout appareil ménager, vous devez user de bon sens et de précautions lors de l'installation, de l'opération et de l'entretien.



Avant d'appeler un technicien de service

Avant d'appeler un technicien, consultez la section sur les conseils relatifs au dépannage. Cela peut vous faire économiser temps et argent. Cette liste inclut des problèmes courants qui ne sont pas causés par une défectuosité de main-d'œuvre ou matérielle de l'appareil. REMARQUE : Vous ne devez jamais tenter de réparer un appareil pour lequel vous n'êtes pas qualifié ou formé pour l'entretien.



Si vous avez besoin des services d'un technicien

Si, après avoir consulté la section relative au dépannage, vous êtes incapable de résoudre un problème vous-même, veuillez contacter notre centre de service au 1-800-26-DANBY (1-800-263-2629). Nous nous faisons un plaisir de répondre à vos questions le lundi au jeudi de 8 h 30 à 5 h et le vendredi de 8 h 30 à 4 h (Heure de l'Est).

Instructions d'utilisation

| | |
|---|------|
| Tableau de commande..... | 2 |
| Caractéristiques du lave-vaisselle..... | 2 |
| Tableau des cycles de lavage..... | 3 |
| Adoucisseur d'eau..... | 4 |
| Distributeur de détergent..... | 5 |
| Distributeur de produit de rinçage..... | 5 |
| Chargement des paniers du lave-vaisselle..... | 6, 7 |
| Mise en marche de l'appareil..... | 7 |
| Système de filtrage..... | 8 |
| Entretien du lave-vaisselle..... | 8, 9 |

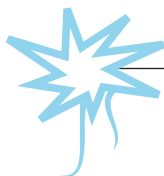
Conseils pour le dépannage

| | |
|---|--------|
| Avant d'appeler un technicien de service..... | 10, 11 |
|---|--------|

INSTRUCTIONS DE SÉCURITÉ IMPORTANTES - VEUILLEZ LIRE TOUTES LES INSTRUCTIONS AVANT D'UTILISER VOTRE LAVE-VAISSELLE

⚠ AVERTISSEMENT !

Vous devez respecter les précautions de base suivantes lorsque vous utilisez votre lave-vaisselle.



⚠ AVERTISSEMENT ! L'HYDROGÈNE EST UN GAZ EXPLOSIF

Dans certaines conditions, de l'hydrogène peut se développer dans un circuit d'eau chaude qui n'est pas utilisé pendant deux semaines ou plus. L'HYDROGÈNE EST UN GAZ EXPLOSIF.

Lorsque le circuit d'eau chaude n'a pas été utilisé depuis un certain temps, ouvrez tous les robinets d'eau chaude et laissez couler l'eau pendant plusieurs minutes avant de mettre le lave-vaisselle en marche. Toute accumulation d'hydrogène pourra ainsi être évacuée. Le gaz étant une matière inflammable, vous ne devez pas fumer ou utiliser une flamme nue au cours de cette opération.



INSTRUCTIONS RELATIVES À LA MISE À LA TERRE

Modèles à cordon d'alimentation

Cet appareil doit être mis à la terre. En cas de mauvais fonctionnement ou de panne, la mise à la terre réduit les risques de choc électrique en fournissant un trajet de moindre résistance au courant électrique. Cet appareil est équipé d'un cordon d'alimentation avec conducteur de mise à la terre de l'équipement et une fiche de mise à la terre. Cette fiche doit être branchée dans une prise appropriée, installée conformément aux codes et règlements locaux.

⚠ AVERTISSEMENT !

Un mauvais raccordement du cordon d'alimentation présente des risques de choc électrique. En cas de doute, vérifiez avec un électricien ou un technicien de service qualifié si l'appareil est bien mis à la terre. Ne pas modifier la fiche fournie avec le lave-vaisselle. Si elle n'entre pas dans la prise, faites installer une nouvelle prise par un électricien qualifié.

Câblage direct

Cet appareil doit être branché à un système de câblage permanent en métal mis à la terre, ou un conducteur de mise à la terre de l'équipement doit être acheminé avec les conducteurs du circuit et branché à la borne de mise à la terre de l'équipement ou au conducteur de l'appareil.



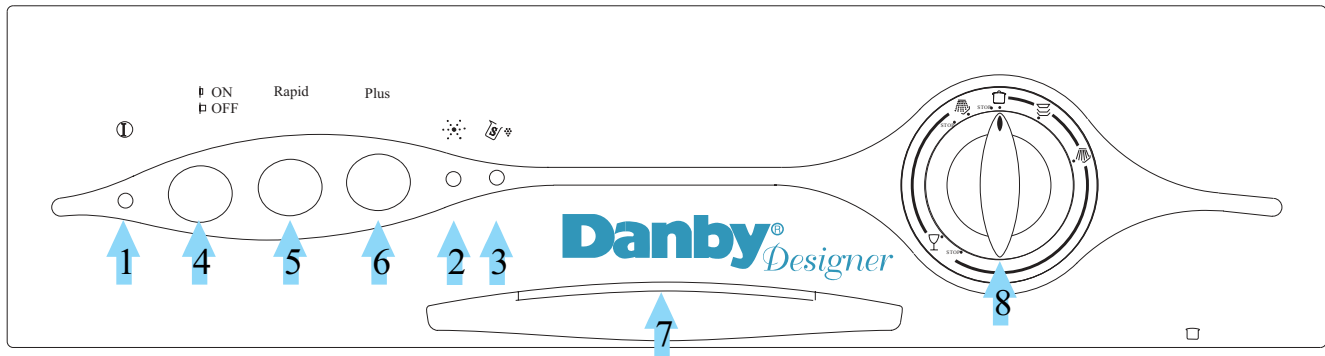
⚠ AVERTISSEMENT ! UTILISATION APPROPRIÉE

- Ne pas s'asseoir ou se tenir debout sur la porte ou les paniers du lave-vaisselle, et ne pas les manipuler brusquement.
- Ne pas toucher l'élément chauffant pendant ou immédiatement après son fonctionnement.
- Ne pas laver d'articles en plastique sauf s'ils portent la mention « Lavable au lave-vaisselle » ou une mention équivalente. S'il n'y a rien d'indiqué sur les articles en plastique, vérifiez les recommandations du fabricant.
- Utilisez uniquement des détergents et produits de rinçage conçus pour les lave-vaisselle automatiques. Ne pas utiliser des savons, des détergents à lessive ou des détergents pour le lavage des mains dans votre lave-vaisselle. Conservez ces produits hors de la portée des enfants.
- Conservez les détergents et les produits de rinçage hors de la portée des enfants. Conservez également les enfants à l'écart de la porte ouverte du lave-vaisselle car il se peut qu'il y ait toujours du détergent à l'intérieur.
- La porte ne doit pas être laissée en position ouverte car il y a danger de trébucher sur celle-ci.
- Lors de l'installation, veillez à ce que le câble d'alimentation ne soit pas excessivement tordu ou aplati, de façon à éviter tout danger.
- Pour éviter le risque de blessures, ne laissez aucun enfant jouer dans ou sur un lave-vaisselle.
- Ne pas faire fonctionner le lave-vaisselle lorsque tous les panneaux ne sont correctement mis en place. Si le lave-vaisselle est en opération, usez de prudence pour ouvrir la porte. Il y a risque d'être aspergé par l'eau chaude.
- Ne pas placer des objets lourds sur le lave-vaisselle ou grimper sur la porte du lave-vaisselle lorsque celle-ci est ouverte. L'appareil peut basculer vers l'avant.
- Lorsque vous mettez des articles dans le lave-vaisselle :
 - 1) Placez les articles tranchants de façon à ce qu'ils n'endommagent pas le joint d'étanchéité de la porte ;
 - 2) Placez les couteaux pointe vers le bas pour éviter les blessures par coupure.
- Lorsque vous utilisez le lave-vaisselle, les articles en plastique ne doivent pas être en contact avec l'élément chauffant.
- Si le cordon d'alimentation est endommagé, il doit être remplacé par le fabricant ou un technicien de service ou une personne possédant des qualifications similaires pour éviter tout danger.
- Disposez des matériaux d'emballage de manière appropriée.
- Utilisez le lave-vaisselle uniquement pour la fonction pour laquelle il a été conçu.
- Enlevez la porte du compartiment de lavage lorsqu'un vieux lave-vaisselle ne sera plus utilisé ou lorsqu'il est mis au rebut.
- Ne pas tenter de modifier les boutons de commande.

**LISEZ ET SUIVEZ ATTENTIVEMENT CES INSTRUCTIONS DE SÉCURITÉ
CONSERVEZ CES INSTRUCTIONS**

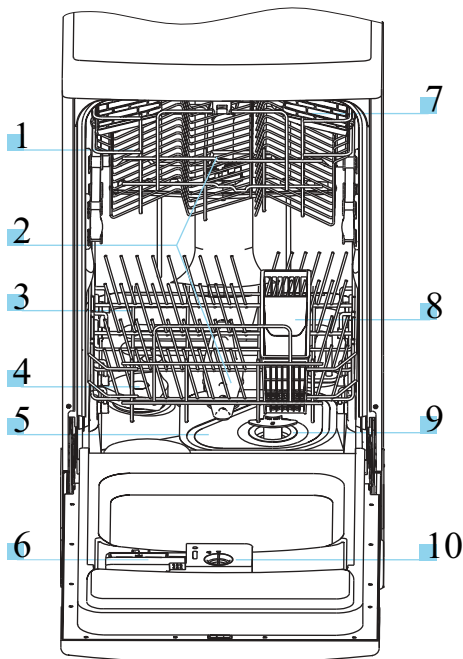
TABLEAU DE COMMANDE

Modèles: DDW1805W

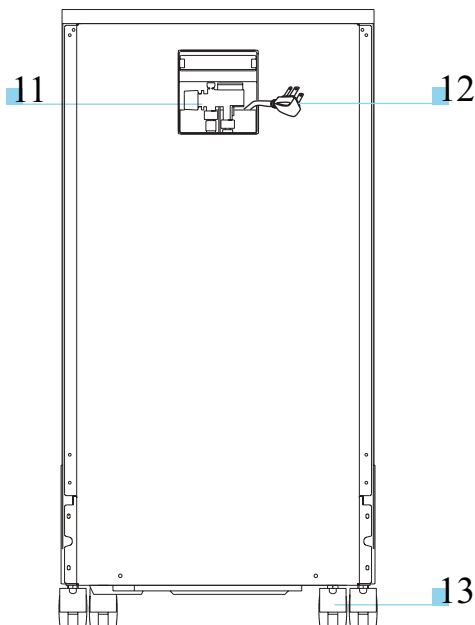


- 1** Voyant indicateur de mise sous tension : s'allume lorsque le bouton marche/arrêt (ON/OFF) est enfoncé.
- 2** Voyant indicateur de produit de rinçage : s'allume lorsqu'il faut ajouter du produit de rinçage au distributeur.
- 3** Voyant indicateur de sel : s'allume lorsqu'il faut ajouter de l'adoucisseur d'eau.
- 4** Bouton marche/arrêt (ON/OFF) : pour activer ou couper l'alimentation électrique.
- 5** Bouton « Rapide » : utilisé seulement avec le cycle "☒".
- 6** Bouton « Plus » : utilisé seulement avec le cycle "☐".
- 7** Poignée de la porte : tirez-le pour ouvrir la porte.
- 8** Sélecteur de programme de lavage : tournez le bouton dans le sens des aiguilles d'une montre pour choisir le cycle de lavage.

CARACTÉRISTIQUES DU LAVE-VAISSELLE










Vue frontale
(porte en position ouverte)



Vue arrière

- | | | | |
|---------------------------|------------------------------------|-------------------------------|--|
| 1 Panier supérieur | 4 Adoucisseur d'eau | 7 Tablette à tasses | 10 Distributeur de produit de rinçage |
| 2 Bras gicleurs | 5 Filtre principal | 8 Panier à couverts | 11 Adaptateur de robinet pour lave-vaisselle mobile |
| 3 Panier inférieur | 6 Distributeur de détergent | 9 Filtre dégrossisseur | 12 Cordon d'alimentation |
| | | | 13 Roulettes |

TABLEAU DES CYCLES DE LAVAGE (DDW1805W)

| Programme | Cycle | Bouton « Plus » | Bouton « Rapide » | Renseignements sur le choix du cycle | Description du cycle | Détergent rinçage/lavage | Produit de rinçage |
|-------------------|--|-----------------|-------------------|--|--|--------------------------|--------------------|
| Normal |  Lavage normal | | | Pour la vaisselle normalement sale telle que casseroles, assiettes, verres et poêles à frire légèrement sales. Cycle de lavage quotidien régulier. | Pré-rinçage Lavage (60° C) Rinçage Rinçage (72° C) Séchage | 4/20 gr. | ★ |
| Intense |  Lavage normal | ★ | | Pour la vaisselle, les casseroles et les poêles à frire très sales sur lesquelles les aliments ont séché. | Pré-rinçage (50° C) Lavage (60° C) Rinçage Rinçage (72° C) Séchage | 4/20 gr. | ★ |
| Économique |  Lavage léger | | | Pour la vaisselle légèrement sale telle que verres, assiettes, bols et poêles à frire légèrement sales. | Lavage (60° C) Rinçage Rinçage (72° C) Séchage | 20 gr. | ★ |
| Rinçage |  Rinçage | | | Pour la vaisselle qui nécessite uniquement un rinçage et un séchage. | Rinçage Rinçage (68° C) Séchage | | ★ |
| Verres |  Verres | | | Pour la vaisselle légèrement sale telle que verres, verres de cristal et porcelaine chinoise. | Rinçage (45° C) Rinçage (72° C) Séchage | 15 gr. | |
| Rapide |  Verres | | ★ | Un cycle de lavage plus court pour la vaisselle légèrement sale qui ne nécessite pas de séchage. | Rinçage (45° C) Rinçage (50° C) Séchage | 15 gr. | |
| Rinçage d'attente |  Rinçage d'attente | | | Rinçage de vaisselle qui sera lavée plus tard dans la journée. | Rinçage d'attente | | |

BOUTONS DE RÉGLAGE DU CYCLE DE LAVAGE

Bouton « Plus »

Ce bouton (voir « tableau de commande ») est utilisé avec le cycle de lavage normal lorsque les casseroles et les poêles à frire, sur lesquelles les aliments ont séché, doivent être lavés.

Ceci n'est pas recommandé pour les articles délicats parce que les températures élevées peuvent rendre leurs surfaces opaques ou rendre les couleurs décoratives plus pales après plusieurs lavages.

Bouton « Rapide »

Lorsque ce bouton (voir « tableau de commande ») est enfoncé avec le cycle de lavage n° 4 (Verres), le cycle de lavage est effectué à une température moins élevée (50° C) et sans la phase de séchage.

ADOUCCISSEUR D'EAU

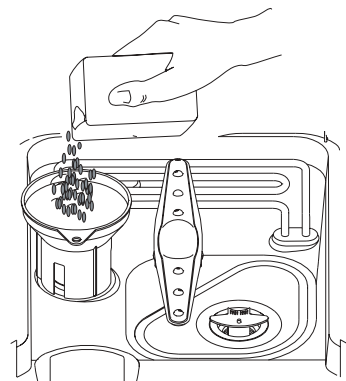
Il existe deux méthodes de réduire la dureté de l'eau : la première méthode est d'utiliser un adoucisseur d'eau ; l'autre méthode est d'utiliser un détergent approprié.

La dureté de l'eau varie d'un endroit à l'autre. Lorsque de l'eau dure est utilisée dans le lave-vaisselle, des dépôts se forment sur la vaisselle.

L'appareil est doté d'un adoucisseur d'eau spécial qui utilise un sel spécialement conçu pour éliminer de l'eau le calcium et d'autres minéraux.

Pour remplir de sel l'adoucisseur d'eau

Utilisez toujours du sel conçu pour être utilisé dans les lave-vaisselle uniquement.
Le contenant de sel est situé sous le panier inférieur et doit être rempli comme suit :



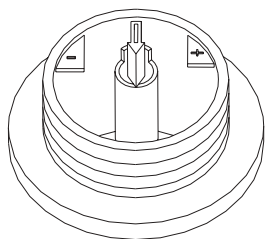
- 1 Enlevez le panier inférieur, puis dévissez et enlevez le bouchon du contenant de sel.
- 2 Si c'est la première fois que vous remplissez le contenant, remplissez-le d'eau au 2/3.
- 3 Placez le bout du filtre de sel (fourni) dans le trou et remplissez avec 2 kg de sel environ. Il est normal qu'une petite quantité d'eau sorte du contenant de sel.
- 4 Revissez le bouchon avec soin.

REMARQUE :

1. Le contenant de sel doit être rempli lorsque le voyant indicateur de sel s'allume. Même si le contenant de sel est plein, le voyant indicateur peut rester allumé tant que le sel n'est pas entièrement dissous.
2. Si un déversement de sel survient, exécutez un programme de rinçage d'attente pour dissoudre les cristaux de sel.

Ajustement du niveau de consommation de sel

Le lave-vaisselle est conçu pour permettre l'ajustement du niveau de sel consommé selon la dureté de l'eau utilisée. Cet élément optimise et personnalise le niveau de consommation de sel. Pour ajuster le niveau de consommation de sel, procédez comme suit :



- 1 Dévissez le bouchon du contenant de sel.
- 2 Sur le contenant, il y a un anneau avec une flèche (voir la figure à gauche). Au besoin, tournez l'anneau dans le sens contraire des aiguilles d'une montre, du signe « - » vers le signe « + », selon la dureté de l'eau utilisée. Il est recommandé d'effectuer les ajustements selon le tableau suivant :

| DURETÉ DE L'EAU | | | Position du sélecteur | Consommation de sel (grammes/cycle) | Autonomie (cycles/2 kg) |
|-----------------|-------|---------|-----------------------|-------------------------------------|-------------------------|
| Degrés Clarke | *dH, | mmol/l | | | |
| 0~14 | 0~10 | 0~1,7 | - | 0 | / |
| 14~36 | 18~44 | 1,8~4,4 | / | 20 | 60 |
| 36~71 | 45~89 | 4,5~8,9 | MED | 40 | 40 |
| 71 | 89 | 8,9 | + | 60 | 25 |

Contactez votre Office des eaux régionale pour obtenir les renseignements sur la dureté de l'eau de votre source d'approvisionnement.

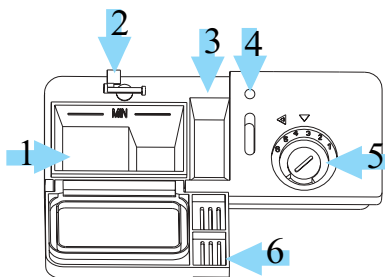
DISTRIBUTEUR DE DÉTERGENT

Le distributeur doit être rempli avant le début de chaque cycle de lavage, selon les instructions fournies dans le « Tableau des cycles de lavage ». Comparativement aux lave-vaisselle conventionnels, nos lave-vaisselle utilisent une quantité moindre de détergent et de produit de rinçage. En règle générale, une seule cuillerée à soupe de détergent suffit pour le lavage d'une charge normale. De même, des articles plus sales nécessitent davantage de détergent. Vous devez toujours ajouter le détergent juste avant de mettre en marche le lave-vaisselle, autrement le savon peut s'humidifier et sera plus difficile à dissoudre de façon uniforme.

Quantité de détergent à utiliser

SI L'EAU N'EST PAS TROP DURE, VOUS POUVEZ ÉGALEMENT EMPÊCHER LA FORMATION DE DÉPÔTS EN AJOUTANT DU DÉTERGENT.

La quantité de détergent nécessaire peut varier selon la dureté de l'eau. Pour déterminer le niveau de dureté de l'eau dans votre région, contactez votre service d'approvisionnement en eau ou un service d'adoucissement d'eau local. Plus le niveau de dureté de l'eau est élevé, plus grande sera la quantité de détergent que vous devrez utiliser. Souvenez-vous, vous devrez graduellement ajuster la quantité de détergent utilisée jusqu'à ce que vous ayez trouvé la bonne quantité.



- 1 Compartiment à détergent pour le lavage principal
- 2 Levier du couvercle du distributeur
- 3 Compartiment à détergent pour le pré-lavage
- 4 Voyant indicateur de niveau de produit de rinçage
- 5 Compartiment à produit de rinçage
- 6 Couvercle du compartiment à détergent

⚠ AVERTISSEMENT !

Le détergent pour lave-vaisselle est corrosif. Assurez-vous de le placer hors de la portée des enfants.

Pour éliminer les taches dues à l'eau dure

Pour éliminer les taches dues à l'eau dure, procédez comme suit :

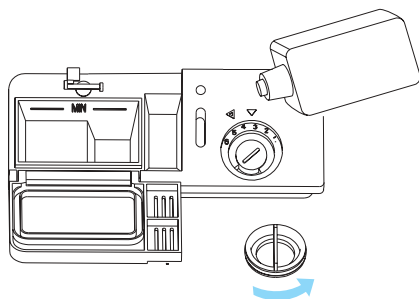
- Soumettez la vaisselle à un programme de lavage normal.
- Retirez du lave-vaisselle tout article en métal, tel que la cutellerie et les chaudrons.
- N'ajoutez pas de détergent.
- Versez deux tasses de vinaigre dans un bol et placez le bol avec l'ouverture vers le haut sur le panier inférieur du lave-vaisselle.
- Soumettez la vaisselle à un programme de lavage normal.

Si vous n'obtenez pas le résultat attendu, essayez le même procédé, mais remplacez le vinaigre par 1/4 de tasse de cristaux d'acide citrique.

Utilisation d'un détergent approprié

N'utilisez qu'un détergent spécifiquement conçu pour les lave-vaisselle. Conservez votre détergent dans un endroit frais et sec. Ne déposez pas de détergent en poudre dans le distributeur avant d'être prêt à procéder au lavage de la vaisselle.

DISTRIBUTEUR DE PRODUIT DE RINÇAGE



- Pour ouvrir le distributeur, tournez le bouchon dans le sens de la flèche « ouvrir » (vers la gauche) et retirez-le.
- Versez le produit de rinçage dans le distributeur, en prenant soin de ne pas le remplir en excès.
- Insérez le bouchon en l'alignant avec la flèche « ouvrir » et en tournant vers la flèche « fermer » (vers la droite).

Le produit de rinçage est libéré au cours du cycle de rinçage final pour empêcher que des gouttes d'eau ne se forment sur votre vaisselle, laissant la vaisselle tachée et rayée. Le produit de rinçage accélère également la durée de séchage en déposant une pellicule de protection sur la vaisselle.

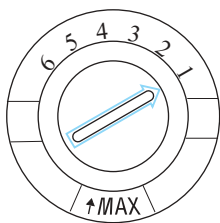
Nos lave-vaisselle sont conçus pour utiliser des produits de rinçage sous forme de liquides. Le distributeur de produit de rinçage est situé dans la porte, à côté du distributeur de détergent. Pour remplir le distributeur, ouvrez le bouchon et versez le produit de rinçage dans le distributeur jusqu'à ce que l'indicateur de niveau devienne complètement noir. Le distributeur peut contenir environ 100 ml de produit de rinçage liquide.

Attention de ne pas surcharger le distributeur car cela pourrait causer une eau trop savonneuse. Essayez tout déversement avec un linge humide.

N'oubliez pas de replacer le bouchon avant de refermer la porte du lave-vaisselle.

Si votre eau est douce, vous n'aurez peut-être pas besoin d'ajouter un produit de rinçage car cela produira une pellicule blanchâtre sur votre vaisselle.

Ajustement du distributeur de produit de rinçage

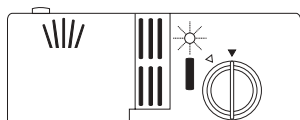


Une quantité mesurée de produit de rinçage est libérée lors du rinçage final. Tout comme pour le détergent, la quantité de produit de rinçage nécessaire pour rincer votre vaisselle dépend de la dureté de l'eau dans votre région. Trop de produit de rinçage peut résulter en une eau trop savonneuse et causer des turbidités ou rayures sur votre vaisselle. Si l'eau est très douce dans votre région, vous n'avez peut-être pas besoin de produit de rinçage. Si vous en avez besoin, vous pouvez diluer le produit de rinçage avec une quantité égale d'eau.

Le distributeur de produit de rinçage a six réglages. Commencez toujours par régler le cadran du distributeur sur la position « 1 ». Si les taches et un séchage inadéquat présentent un problème, augmentez la quantité de produit de rinçage libéré en retirant le couvercle du distributeur et en tournant la cadran sur la position « 2 ». Si le séchage de la vaisselle n'est toujours pas adéquat ou si elle est tachée, ajustez le cadran sur le prochain réglage jusqu'à ce que la vaisselle ne soit plus tachée. Nous vous suggérons de régler le cadran à la position 4.

Quand devez-vous remplir le distributeur de produit de rinçage

Quand le distributeur est vide, le témoin lumineux (sur le tableau de commande) illuminera, indiquant le distributeur doit être rempli à nouveau. Le point noir sur le distributeur de produit de rinçage indique le niveau de produit de rinçage dans le distributeur. À mesure que la quantité de produit de rinçage diminue, la taille du point noir diminue aussi. Vous ne devez jamais laisser le niveau tomber au-dessous de 1/4 rempli.



À mesure que la quantité de produit de rinçage diminue, la taille du point noir sur l'indicateur de niveau de produit de rinçage diminue aussi, tel qu'indiqué ci-dessous :

- Plein
- 3/4 rempli
- 1/2 rempli
- 1/4 rempli – remplissez le distributeur pour éviter des taches
- Vide

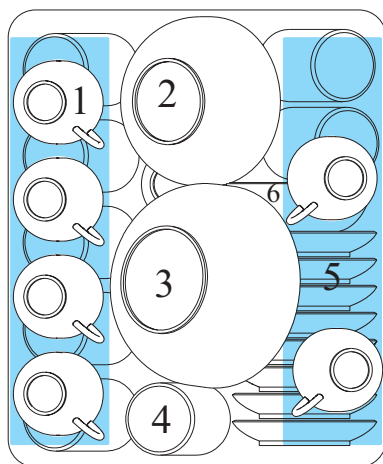
Chargement des paniers du lave-vaisselle

Pour obtenir une meilleure performance du lave-vaisselle, suivez ces directives de chargement. Les caractéristiques et l'apparence des paniers de lavage et du panier à couverts de votre modèle peuvent varier.

Comment utiliser le panier supérieur

Le panier supérieur est conçu pour loger la vaisselle plus fragile et plus légère, tels les verres, les tasses et les soucoupes, ainsi que les assiettes, petits bols et chaudrons peu profonds (s'ils ne sont pas trop sales).

Placez la vaisselle et les chaudrons de manière à ce qu'ils ne se déplacent pas sous la pression des jets d'eau. La hauteur du panier supérieur peut être ajustée en plaçant des roulettes de différentes hauteurs sur les rails.

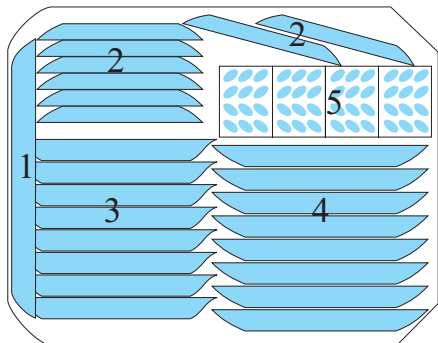


- 1 Tasses
- 2 Petits bols de service
- 3 Grands bols de service
- 4 Verres
- 5 Soucoupes
- 6 Vaisselle
- 7 Assiettes

Comment utiliser le panier inférieur

Nous recommandons de placer sur le panier inférieur les gros articles qui sont plus difficile à nettoyer : chaudrons, couvercles, assiettes et bols de service, tel qu'illustré dans la figure ci-dessous. Pour éviter de bloquer l'action du bras gicleur supérieur, il est préférable de placer les assiettes de service et les couvercles sur les côtés du panier.

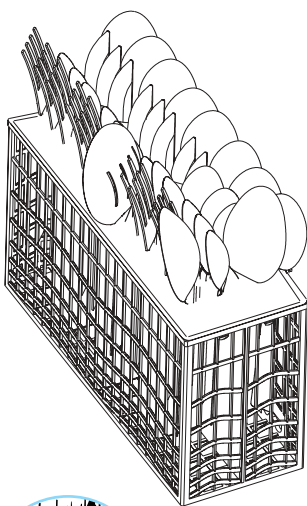
- Les chaudrons, bols de service, etc., doivent toujours être placés ouverture vers le bas.
- Les chaudrons profonds doivent être orientés de manière à ce que l'eau puisse s'en écouler.
- Le panier inférieur est muni de tablettes rabattables pour permettre le chargement de plus de chaudrons ou de chaudrons plus gros.



- 1 Assiette ovale
- 2 Assiettes à repas
- 3 Assiettes creuses
- 4 Assiettes à dessert
- 5 Panier à couverts

PANIER À COUVERTS

Les couverts doivent être placés dans le panier à couverts, avec les manches vers le bas : Si le panier est doté de paniers latéraux, les cuillères doivent être placés individuellement dans les fentes appropriées. Les ustensiles particulièrement longs doivent être placés en position horizontale à l'avant du panier supérieur.



| | | | |
|---|---|---|---|
| 1 | 4 | 5 | 2 |
| 1 | 4 | 5 | |
| 1 | 4 | 5 | 2 |
| 1 | 4 | 5 | 2 |
| 1 | 4 | 5 | 2 |
| 4 | 4 | 5 | 2 |
| 7 | 4 | 5 | 2 |
| 8 | 3 | 5 | |
| 1 | 3 | 3 | 2 |
| 1 | 3 | 3 | 2 |
| 1 | 3 | 3 | |
| 6 | 3 | 6 | 2 |

- 1 Fourchettes
- 2 Cuillères à soupe
- 3 Cuillères à dessert
- 4 Cuillères à thé
- 5 Couteaux
- 6 Cuillère de service
- 7 Louche à sauce
- 8 Fourchette de service



▲ AVERTISSEMENT !

Veillez à ce qu'aucun objet ne dépasse des trous du panier.

MISE EN MARCHE DE L'APPAREIL

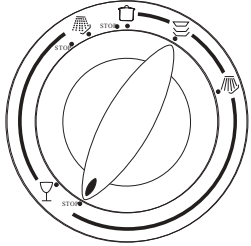
Pour débiter un cycle de lavage...

- 1 Assurez-vous que la fiche de l'appareil est insérée dans la prise de courant.
- 2 Assurez-vous que la source d'approvisionnement d'eau est complètement ouverte.
- 3 Chargez le lave-vaisselle (voir la section intitulée « Chargement des paniers du lave-vaisselle »).
- 4 Ajoutez le détergent (voir la section intitulée « Sel, détergent et produit de rinçage »).
- 5 Tournez le bouton situé à droite du tableau de commande dans le sens des aiguilles d'une montre jusqu'à ce que le numéro ou le symbole pour le cycle de lavage désiré est aligné avec la marque de repère (voir la section intitulée « Tableau des cycles de lavage »).
- 6 Appuyez sur le bouton marche/arrêt (ON/OFF). Le voyant indicateur de mise sous tension (ON/OFF) s'allumera. Le programme de lavage commencera ensuite.

Annulation ou modification d'un cycle de lavage...

Prémisse : Un cycle qui a déjà commencé peut seulement être modifié s'il n'a été en cours que depuis une courte période de temps. Autrement, il se peut que le détergent ait déjà été libéré et l'appareil peut déjà avoir purgé l'eau de lavage. Dans ce cas, le distributeur de détergent doit être rempli de nouveau (voir le paragraphe intitulé « Distributeur de détergent »). Appuyez sur le bouton marche/arrêt (ON/OFF) et le voyant indicateur de marche s'éteindra. Tournez le bouton dans le sens des aiguilles d'une montre pour le régler au cycle désiré (voir la section intitulée « Pour débiter un cycle de lavage... »). Redémarrez le lave-vaisselle en appuyant sur le bouton marche/arrêt (ON/OFF).

À la fin du programme de lavage



Lorsque le bouton arrête de tourner et qu'il est aligné avec la marque « STOP » (voir la figure), le cycle est terminé. Arrêtez l'appareil en appuyant sur le bouton marche/arrêt (ON/OFF), fermez la source d'approvisionnement en eau et ouvrez la porte du lave-vaisselle. Attendez quelques minutes avant de décharger le lave-vaisselle pour éviter de toucher la vaisselle et les ustensils lorsqu'ils sont encore chauds et plus susceptibles à casser. Ceci améliore également le séchage de la vaisselle.

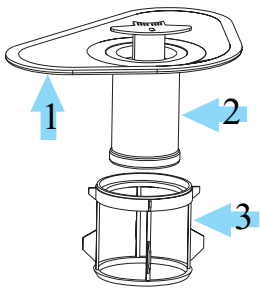
Avez-vous oublié une assiette?

Si vous avez oublié d'ajouter une assiette, vous pouvez l'ajouter avant que le distributeur de détergent ne s'ouvre.

- 1 Tirez sur la poignée du lave-vaisselle.
- 2 Ne pas ouvrir la porte avant que l'action de vaporisation de l'eau ne s'est arrêtée.
- 3 Ajoutez l'assiette oubliée.
- 4 Fermez bien la porte. Un déclic est émis lorsque la porte est bien fermée.

SYSTÈME DE FILTRAGE

Pour votre commodité, nous avons placé la pompe de vidange et le système de filtrage dans la cuve de lavage, de manière à en faciliter l'accès. Le système de filtrage est composé de trois éléments : le filtre principal, le filtre dégrossisseur et le filtre fin.



- 1 **Filtre principal**
Les particules de nourriture et les saletés captées par ce filtre sont pulvérisés par un jet spécial situé sur le bras gicleur inférieur et sont acheminés dans le drain.
- 2 **Filtre dégrossisseur**
Les éléments plus gros qui risquent d'engorger le drain, tels les morceaux d'os ou le verre, sont captés par le filtre dégrossisseur. Pour enlever un élément capté par ce filtre, tirez doucement les taquets situés sur le dessus du filtre pour le retirer.
- 3 **Filtre fin**
Ce filtre retient les résidus de nourriture et les saletés dans le bac de décantation et empêche qu'ils ne se déposent à nouveau sur la vaisselle durant un cycle.

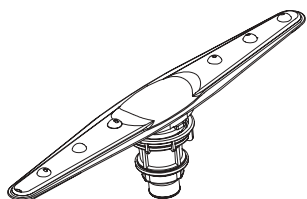
ENTRETIEN DU LAVE-VAISSELLE

Pour nettoyer le tableau de commande, utilisez un linge légèrement humide, puis asséchez complètement le tableau. Pour nettoyer l'extérieur, utilisez une cire à polir de qualité pour appareils ménagers.

N'utilisez jamais un objet pointu, un tampon à récurer ou des produits de nettoyage abrasifs pour nettoyer toute partie du lave-vaisselle.

Protection contre le gel

Si votre lave-vaisselle est entreposé dans un endroit non chauffé durant l'hiver, demandez à un technicien d'effectuer les opérations suivantes :

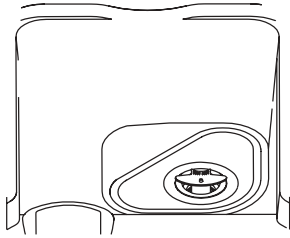


- 1 Couper l'alimentation électrique au lave-vaisselle. Enlever les fusibles ou couper le disjoncteur du circuit.
- 2 Couper l'approvisionnement en eau et débrancher le tuyau de prise d'eau de la soupape d'eau.
- 3 Vidanger l'eau présente dans le tuyau de prise d'eau et la soupape d'eau. (utilisez un récipient pour récupérer l'eau.)
- 4 Rebrancher le tuyau de prise d'eau à la soupape d'eau.
- 5 Enlever le couvercle en plastique dans le bas de la cuve et utiliser une éponge pour éponger l'eau dans le soufflet en caoutchouc.

Nettoyage des bras gicleurs

Pour éviter que les produits chimiques contenus dans l'eau dure ne bloquent les jets et les roulements des bras gicleurs, il est nécessaire de nettoyer régulièrement les bras gicleurs. Pour enlever le bras gicleur, dévissez l'écrou situé sur le dessus du bras gicleur pour enlever la rondelle et sortir le bras. Lavez les bras gicleurs dans de l'eau chaude savonneuse et utilisez une brosse douce pour nettoyer les orifices des jets. Remplacez les bras après les avoir asséchés complètement.

Nettoyage des filtres



Ensemble de filtres

Pour obtenir une meilleure performance et de meilleurs résultats, le filtre doit être nettoyé. Le filtre élimine efficacement les particules de nourriture de l'eau de lavage, ce qui permet la recirculation de l'eau durant le cycle. Il importe donc d'enlever les plus grosses particules de nourriture emprisonnées dans le filtre après chaque cycle de lavage en rinçant le filtre demi-circulaire et la coupole sous l'eau courante.

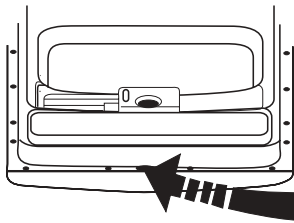
Pour enlever l'ensemble de filtres, tirez vers le haut le manche de la coupole. L'ensemble de filtres doit être nettoyé au moins une fois par mois.

Pour nettoyer le filtre dégrossisseur et le filtre fin, utilisez une brosse. Puis, assemblez les pièces du filtre et réinsérez l'ensemble de filtres dans le lave-vaisselle en le positionnant sur son emplacement et en poussant vers le bas.

Le lave-vaisselle ne doit jamais être utilisé sans les filtres. Un remplacement inapproprié des filtres peut nuire à la performance de l'appareil et endommager la vaisselle et les ustensiles.

⚠ AVERTISSEMENT !

Ne jamais utiliser le lave-vaisselle sans que les filtres ne soient en place.

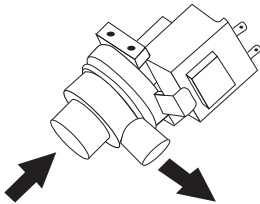


Nettoyage de la porte

Pour nettoyer les contours de la porte, vous devez utiliser un linge doux humide seulement. Pour empêcher que l'eau ne pénètre dans le dispositif de verrouillage et les composants électriques, aucun produit de nettoyage en aérosol ne doit être utilisé.

De plus, vous ne devez jamais utiliser un produit de nettoyage abrasif ou un tampon à récurer sur les surfaces externes car ceux-ci égratigneront la fini. Certains essuie-tout en papier peuvent également égratigner les surfaces ou laisser des rayures.

Nettoyage de la pompe de vidange



Parfois, certains éléments peuvent se bloquer dans les filtres ou la pompe de vidange. Si c'est le cas, les pompes de vidange utilisées dans nos lave-vaisselle sont conçues pour s'inverser automatiquement, éjectant l'élément vers le bac de décantation et dans le drain. Si vous devez retirer un obstacle de la pompe de vidange, vous devez couper l'alimentation électrique avant d'enlever les filtres ; puis, enlevez le petit insert noir du bac de décantation. (Vous pouvez enlever toute l'eau restante avant de procéder). Retirez l'élément causant l'obstruction, sans doute localisé dans le bac de décantation. Souvenez-vous que vous devez replacer l'insert noir avant de remettre les filtres en place.

Comment protéger le bon fonctionnement de votre lave-vaisselle

■ Après chaque lavage

Après chaque lavage, coupez l'approvisionnement en eau de l'appareil et laissez la porte légèrement entrouverte afin que l'humidité et les odeurs ne soient pas emprisonnées à l'intérieur.

■ Aucun solvant ou produit de nettoyage abrasif

Pour nettoyer l'extérieur et les pièces en caoutchouc du lave-vaisselle, vous ne devez pas utiliser des solvants ou des produits de nettoyage abrasifs. Utilisez plutôt un chiffon et de l'eau chaude savonneuse.

Pour enlever les taches de la surface intérieure, utilisez un linge humide avec de l'eau additionnée d'un peu de vinaigre blanc ou un produit de nettoyage spécifiquement conçu pour les lave-vaisselle.

■ Partez en vacances

Lorsque vous partez en vacances, il est recommandé d'effectuer un cycle de lavage avec le lave-vaisselle vide. Débranchez la fiche électrique de la prise murale, coupez l'approvisionnement en eau et laissez la porte légèrement entrouverte. Ceci aidera à préserver la durée de vie des joints d'étanchéité et empêchera que des odeurs ne se forment à l'intérieur de l'appareil.

■ Joints d'étanchéité

Un des facteurs qui causent la formation d'odeurs dans le lave-vaisselle est la nourriture qui reste coincée dans les joints d'étanchéité. Un nettoyage périodique avec une éponge humide empêchera la formation d'odeurs.

CONDITIONS DE TROP-PLEIN :

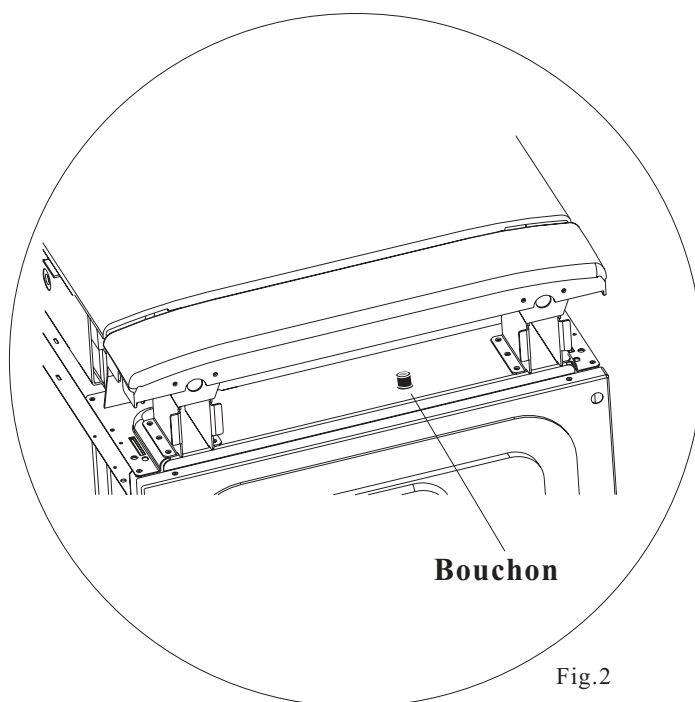
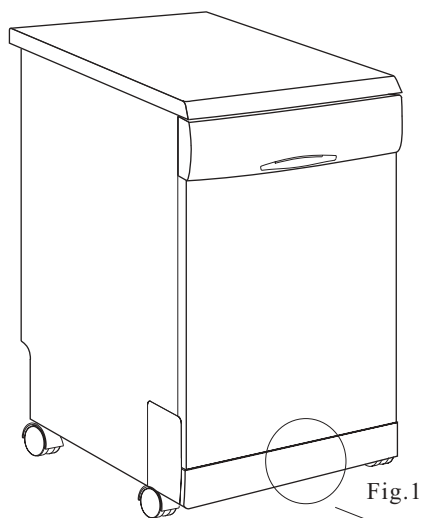
Le lave-vaisselle est conçu pour détecter et contrôler les conditions de trop-plein d'eau. Le tube de trop-plein est situé dans la section inférieure (puits) du revêtement intérieur de la porte. Ce tube doit être protégé contre les obstructions et les débris. Si une condition de trop-plein survient, le niveau de l'eau s'élève au-dessus du niveau du tube de trop-plein, et celle-ci est dirigée vers le contenant de trop-plein (situé à l'arrière de la plaque de bas de porte inférieure)

Lorsque l'eau atteint une hauteur prédéterminée, l'interrupteur à flotteur s'active, coupant l'alimentation au niveau du robinet de prise d'eau et alimentant automatiquement la pompe pour évacuer l'eau contenue à l'intérieur de la cuve uniquement. L'eau accumulée à l'intérieur du contenant à flotteur doit être vidée manuellement avant de remettre en marche le lave-vaisselle. Pour vider le contenant à flotteur, suivez les instructions ci-dessous :

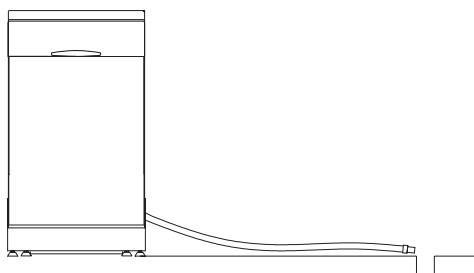
LAVE-VAISSELLE MOBILE (MODÈLE) :

- Débranchez le lave-vaisselle de la source d'alimentation électrique.
- Déconnectez l'assemblage de boyau du robinet d'eau (approvisionnement en eau).
- Gardez le lave-vaisselle en position verticale en tout temps.
- Le contenant de trop-plein est situé à l'arrière de la plaque de bas de porte inférieure. (Voir Figure 1)
- Retirez les 4 vis de la face inférieure de la plaque de bas de porte.
- Tirez la plaque de bas de porte vers vous. Vous devrez appliquer une légère force.
- Retirez le bouchon de caoutchouc situé sous le contenant à flotteur. (Voir Figure 2)
- Laissez l'eau s'écouler dans un contenant.
- Remplacez le bouchon de caoutchouc en vous assurant qu'il est bien fixé.
- Remplacez la plaque de bas de porte inférieure.
- Remplacez les 4 vis.

Le lave-vaisselle est prêt à être utilisé.

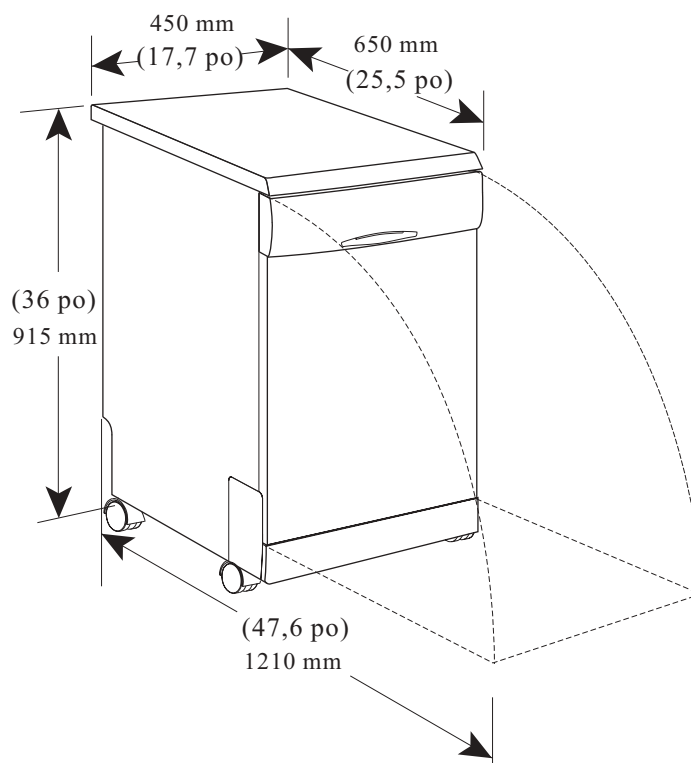


Comment vidanger l'excès d'eau



Si l'évier est situé à 864 mm (34 pouces) ou plus au-dessus du niveau du plancher, l'excès d'eau dans les boyaux du raccord ne peut être vidangé directement dans l'évier. Il sera nécessaire de vidanger l'excès d'eau présent dans les boyaux dans un bol ou autre contenant approprié à l'extérieur et sous le niveau de l'évier.

DIMENSIONS mm / (po)



AVANT D'APPELER UN TECHNICIEN DE SERVICE. . .

Conseils relatifs au dépannage :

En consultant les tableaux des pages suivantes, vous économiserez temps et argent.



Problème

Le lave-vaisselle ne démarre pas

Causes possibles

Fusible grillé ou disjoncteur coupé.

Solution

Remplacez le fusible ou réenclenchez le disjoncteur. Débranchez tout autre appareil qui partage le même circuit électrique que le lave-vaisselle.

Alimentation électrique désactivée

Assurez-vous que le lave-vaisselle est en position de marche et que la porte est bien fermée.

Assurez-vous que le cordon d'alimentation est bien branché dans la prise murale.

Le bouton de démarrage n'a pas été enclenché

Enclenchez le bouton de démarrage.

La pompe de vidange ne s'arrête pas

Trop-plein

Le système est conçu pour détecter un trop-plein. Lorsqu'un trop-plein est détecté, la pompe circulatrice s'arrête et la pompe de vidange se met en marche.

Bruit

Il est normal d'entendre certains sons

Sons émis par l'action de déchiquetage des résidus de nourriture et par l'ouverture de la coupole de détergent.

Les ustensiles sont mal placés dans les paniers ou un petit article est tombé dans le panier.

Assurez-vous que tous les articles dans le panier sont bien placés.

Ronflement du moteur

Le lave-vaisselle n'a pas été utilisé régulièrement. Si vous ne l'utilisez pas souvent, souvenez-vous de programmer un remplissage et une vidange une fois par semaine. Ceci aidera à conserver les joints humides.

Mousse dans la cuve

Détergent inapproprié

Pour éviter le moussage, utilisez un détergent pour lave-vaisselle seulement.

Si cela se produit, ouvrez le lave-vaisselle et laissez s'évaporer la mousse.

Ajoutez 3,8 litres (1 gallon) d'eau froide dans la cuve. Refermez et verrouillez le lave-vaisselle, puis faites vidanger l'eau en tournant doucement le cadran jusqu'à l'atteinte d'un cycle de vidange. Répétez, au besoin.

Déversement de produit de rinçage

Vous devez toujours essuyer immédiatement les déversements de produit de rinçage

Formation de taches à l'intérieur de la cuve

Un détergent à base de colorant a été utilisé.

Assurez-vous que le détergent utilisé ne contient pas de colorant.

La vaisselle ne sèche pas.

Le distributeur de produit de rinçage est vide.

Assurez-vous que le distributeur de produit de rinçage est rempli.

La vaisselle et les couverts ne sont pas propres

Mauvais chargement

Assurez-vous que l'action du distributeur de détergent et des bras gicleurs n'est pas obstruée par de grands plats.


Taches et voile sur les verres et les couverts

Eau très dure
Température trop froide
Surcharge du lave-vaisselle
Chargement inadéquat
Le détergent n'est plus frais ou il est humide
Le distributeur de produit de rinçage est vide
Mauvais dosage de détergent

Pour enlever les taches sur les verres :

- 1 Sortez tous les ustensiles en métal du lave-vaisselle.
- 2 N'ajoutez pas de détergent.
- 3 Choisissez le cycle le plus long.
- 4 Démarrez le lave-vaisselle et laissez-le fonctionner durant 18 à 22 minutes. Il sera alors dans le cycle de lavage principal.
- 5 Ouvrez la porte et versez 2 tasses de vinaigre blanc dans le fond de la cuve du lave-vaisselle.
- 6 Refermez la porte et laissez le lave-vaisselle terminer son cycle. Si le vinaigre ne produit pas le résultat attendu, répétez les étapes ci-dessus, mais cette fois-ci, utilisez 1/4 de tasse (60 ml) de cristaux d'acide citrique au lieu du vinaigre.

AVANT D'APPELER UN TECHNICIEN DE SERVICE. . . (suite)

| Problème | Causes possibles | Solution |
|--|--|---|
|  <i>Voile sur les verres</i> | Combinaison d'eau douce et trop de détergent | Si votre eau est douce, utilisez moins de détergent, et choisissez un cycle de lavage plus court pour obtenir des verres propres. |
| | <i>Les surfaces internes du lave-vaisselle sont brunes ou jaunes</i> | Taches de café ou de thé La présence de dépôts ferreux dans l'eau peut causer l'apparition d'une pellicule |
| <i>Pellicule blanche sur la surface interne</i> | Minéraux provenant de l'eau dure | Pour nettoyer l'intérieur, utilisez une éponge humide additionnée de détergent pour lave-vaisselle, et portez des gants en caoutchouc. Vous ne devez jamais utiliser un produit nettoyant autre que le détergent pour lave-vaisselle en raison du risque de moussage. |
| <i>Il reste du détergent dans le distributeur</i> | La vaisselle obstrue la coupole de détergent | Remplacez la vaisselle de manière appropriée. |
| <i>Vapeur</i> | Phénomène normal | Durant le séchage et la vidange de l'eau, il est normal que de la vapeur sorte des ouvertures situées près du dispositif de verrouillage de la porte. |
| <i>Marques noires ou grises sur la vaisselle</i> | Des ustensiles en aluminium frottent contre la vaisselle | Utilisez un nettoyeur abrasif doux pour éliminer ces marques. |
| <i>Il reste de l'eau dans le fond de la cuve</i> | Ceci est normal | Il est normal qu'une petite quantité d'eau propre reste au fond de la cuve à l'arrière. Cela aide à conserver les joints d'étanchéité lubrifiés. |
| <i>L'eau n'est pas vidangée de la cuve</i> | Le drain est bouché | Assurez-vous que le drain de l'évier fonctionne bien. Si le lave-vaisselle vidange dans un dispositif d'évacuation, videz-le. |
| <i>Le lave-vaisselle fuit</i> | Fuite au niveau du dispositif d'évacuation de trop-plein ou du distributeur de produit de rinçage. | Assurez-vous de ne pas trop remplir le distributeur de produit de rinçage. Un déversement de produit de rinçage peut causer un moussage et mener à un trop-plein. Essayez tout déversement avec un linge humide. |
| | Le lave-vaisselle n'est pas au niveau | Assurez-vous que le lave-vaisselle est au niveau |

REMARQUE :

La recherche ensuit toujours des améliorations. Par conséquent, ces informations et spécifications peuvent changer sans préavis.

Le fabricant certifie que ce produit de qualité est exempt de tout défaut de matériel et de main-d'œuvre, à condition qu'il soit installé et utilisé conformément aux conditions d'installation et de fonctionnement prévues par le fabricant.

Cette garantie est seulement offerte à la personne à qui Danby ou un concessionnaire autorisé de Danby a initialement vendu l'appareil, elle n'est pas transférable.

MODALITÉS DE LA GARANTIE

Première année de garantie Au cours de la première année (année 1), commençant à la date d'achat initiale, toute pièce électrique sur ce produit présentant un défaut de matériel ou de main-d'œuvre sera réparée ou remplacée, au gré du garant, sans frais pour l'acheteur INITIAL.

Deuxième année de la garantie limitée Au cours de la deuxième année (année 2), commençant à la date d'achat initiale, toute pièce, y compris le moteur, la pompe de vidange, les bras gicleurs (excluant les tuyaux et les colliers) et les paniers à vaisselle, présentant un défaut de matériel ou de main-d'œuvre sera réparée ou remplacée, au gré du garant, sans frais pour l'acheteur INITIAL.

Garantie limitée de dix ans sur la cuve et la contre-porte en acier inoxydable De la troisième à la dixième année, commençant à la date d'achat initiale, tout défaut de matériel ou de main-d'œuvre sur la cuve ou la contre-porte en acier inoxydable (causant des fuites d'eau) sera réparé ou la pièce sera remplacée, au gré du garant. Cette garantie se limite aux coûts de remplacement des composantes seulement.

REMARQUE : Le client est responsable de tous les frais engagés reliés au coût de la main-d'œuvre (réparation) et/ou aux frais de transport (ramassage et livraison) associés à la réparation et/ou au remplacement de la cuve et/ou de la contre-porte en acier inoxydable.

Cette garantie ne laisse aucunement entendre que Danby est responsable des dommages causés à des articles placés à l'intérieur de l'appareil, en raison soit d'un défaut de l'appareil, soit de son utilisation, adéquate ou non.

EXCLUSIONS

Sauf dispositions contraires ci-après, Danby, il n'existe aucune autre condition, représentation ou garantie, expresse ou implicite, accordée ou prévue par Danby ou ses concessionnaires autorisés et toutes les autres conditions, représentations ou garanties, y compris les conditions, représentations ou garanties accordées en vertu d'une Loi sur la vente d'objets ou de toute autre loi ou prescription similaire sont par la présente expressément exclus. Sauf dispositions contraires ci-après, Danby ne sera pas tenu responsable des dommages causés à des individus ou des biens, y compris à l'appareil lui-même, de quelque façon que ce soit, ou de tout dommage indirect résultant du mauvais fonctionnement de l'appareil, et, par l'achat de cet appareil, l'acheteur accepte d'indemniser Danby contre toute responsabilité pouvant entraîner des réclamations pour des dommages causés par l'appareil à des personnes ou des biens.

CONDITIONS GÉNÉRALES

Aucune garantie ou assurance contenue ou exposée dans les présentes ne s'applique lorsque des dommages sont causés ou des réparations sont nécessaires suite à une des situations suivantes :

- 1) Installation inadéquate;
- 2) Panne de courant;
- 3) Dommage encouru durant le transport ou le déplacement de l'appareil;
- 4) Alimentation en électricité inadéquate comme basse tension, câblage défectueux ou fusibles inadéquats;
- 5) Accident, altération, abus ou mauvaise utilisation de l'appareil comme une mauvaise circulation d'air dans la pièce ou des conditions de fonctionnement anormales;
- 6) Utilisation à des fins commerciales ou industrielles;
- 7) Incendie, dégâts d'eau, vol, guerre, émeute, hostilités, catastrophes naturelles comme des ouragans, des inondations, etc.;
- 8) Visites de réparateur ayant pour but d'informer le client.

Une preuve de la date d'achat sera exigée dans les cas de demandes de réclamation; veuillez conserver les reçus. Dans le cas où un service couvert par la garantie est nécessaire, présentez ce document à l'AGENT DE SERVICE AUTORISÉ.