

MICROWAVE HOOD COMBINATION INSTALLATION INSTRUCTIONS

This product is suitable for use above electric or gas cooking products up to and including 36" (91.4 cm) wide. See "Installation Requirements" section for further notes.

These installation instructions cover different models. The appearance of your particular model may differ slightly from the illustration in these installation instructions.

Table of Contents

MICROWAVE HOOD COMBINATION SAFETY	1
INSTALLATION REQUIREMENTS	2
Tools and Parts	2
Location Requirements	2
Product Dimensions	3
Electrical Requirements	3
INSTALLATION INSTRUCTIONS	4
Remove Mounting Plate	4
Rotate Blower Motor	4
Locate Wall Stud(s)	6
Mark Rear Wall	6
Drill Holes in Rear Wall	7
Attach Mounting Plate to Wall	7
Prepare Upper Cabinet	8
Install the Microwave Oven	8
Complete Installation	9
VENTING DESIGN SPECIFICATIONS	10
ASSISTANCE	11
Replacement Parts	11
Accessories	11

MICROWAVE HOOD COMBINATION SAFETY

Your safety and the safety of others are very important.

We have provided many important safety messages in this manual and on your appliance. Always read and obey all safety messages.



This is the safety alert symbol.

This symbol alerts you to potential hazards that can kill or hurt you and others.

All safety messages will follow the safety alert symbol and either the word "DANGER" or "WARNING."

These words mean:

⚠ DANGER

You can be killed or seriously injured if you don't immediately follow instructions.

⚠ WARNING

You can be killed or seriously injured if you don't follow instructions.

All safety messages will tell you what the potential hazard is, tell you how to reduce the chance of injury, and tell you what can happen if the instructions are not followed.

INSTALLATION REQUIREMENTS

Tools and Parts

Tools Needed

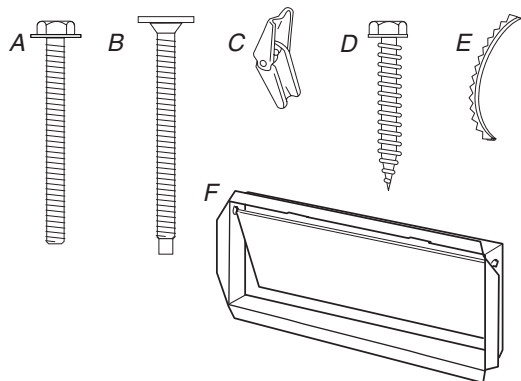
Gather the required tools and parts before starting installation. Read and follow the instructions provided with any tools listed here.

- Measuring tape
- Straightedge
- Pencil
- Masking tape or thumbtacks
- Scissors
- No. 2 Phillips screwdriver
- No. 3 Phillips screwdriver
- Electric drill
- 1/8" (3 mm), 1/2" (13 mm) and 5/8" (16 mm) drill bits
- Stud finder
- 1½" (3.8 cm) diam. hole drill bit for wood or metal cabinet
- Keyhole saw
- Level
- Caulking gun and weatherproof caulking compound
- Duct tape

Parts Supplied

For reorder information, see "Replacement Parts" section.

NOTE: The hardware items listed here are for wood studs. For other types of wall structures, be sure to use appropriate fasteners.



- A. 3/16-20 x 3" hex-head bolts (2)
- B. 1/4-28 x 3 ¼" flat-head bolts (2)
- C. Toggle nuts (2)
- D. 3/16" x 2" lag screw (1)
- E. Power supply cord bushing (1)
- F. Damper assembly (for wall or roof venting)

Not Shown:

Upper cabinet template
Mounting plate (attached to back of microwave oven)
Aluminum grease filters
Charcoal filters (Depending on model, charcoal filters may not be included. See User Instructions.)

NOTE: Depending on model, aluminum grease filter and charcoal filter may be combined.

Materials needed

- Standard fittings for wall or roof venting. See "Venting Design Specifications" section.

Location Requirements

Check the opening where the microwave oven will be installed. The location must provide:

- Minimum installation dimensions. See "Installation Dimensions" illustration.
- Minimum one 2" x 4" (50.8 x 101.6 mm) wood wall stud and minimum 3/8" (9.5 mm) thickness drywall or plaster/lath within cabinet opening.
- Support for weight of 150 lbs (68 kg), which includes microwave oven and items placed inside the microwave oven and upper cabinet.
- Grounded electrical outlet inside upper cabinet. See "Electrical Requirements" section.

NOTES:

- If installing the microwave oven near a left sidewall, make sure there is at least 6" (15.2 cm) of clearance between the wall and the microwave oven, so that the door can open fully.
- Some cabinet and building materials are not designed to withstand the heat produced by the microwave oven for cooking. Check with your builder or cabinet supplier to make sure that the materials used will not discolor, delaminate or sustain other damages.

Special Requirements

For Wall Venting Installation Only:

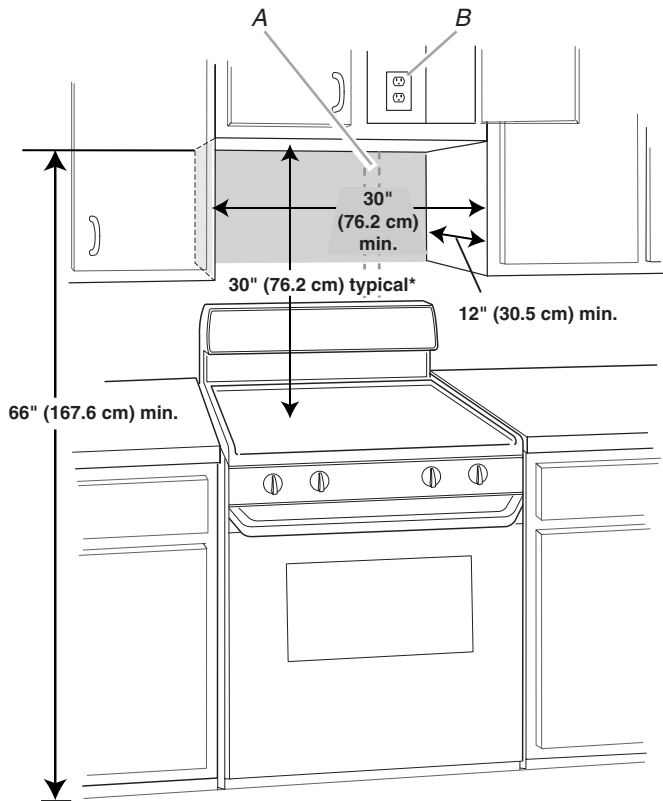
- Cutout must be free of any obstructions so that the vent fits properly, and the damper blade opens freely and fully.

For Roof Venting Installation Only:

- If you are using a rectangular to round transition piece, the 3" (7.6 cm) clearance needs to exist above the microwave oven so that the damper blade can open freely and fully. See "Rectangular to Round Transition" illustration in "Venting Design Specifications" section.

Installation Dimensions

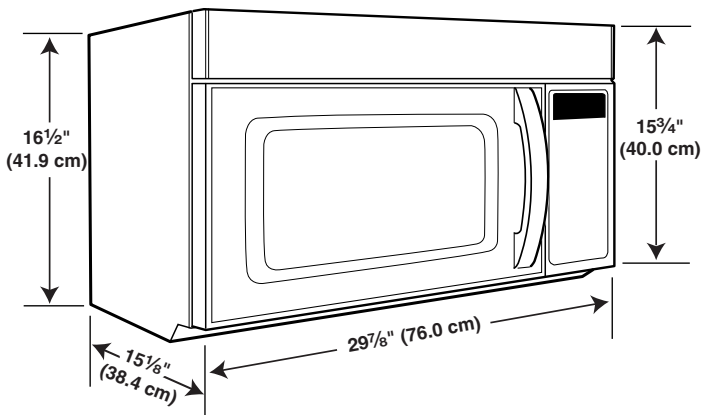
NOTE: The grounded 3 prong outlet must be inside the upper cabinet. See "Electrical Requirements" section.



A. 2" x 4" wall stud
B. Grounded 3 prong outlet

*30" (76.2 cm) is typical for 66" (167.6 cm) installation height. Exact dimensions may vary depending on type of range/cooktop below.

Product Dimensions



Electrical Requirements

! WARNING



Electrical Shock Hazard

Plug into a grounded 3 prong outlet.

Do not remove ground prong.

Do not use an adapter.

Do not use an extension cord.

Failure to follow these instructions can result in death, fire, or electrical shock.

Observe all governing codes and ordinances.

Required:

- A 120 Volt, 60 Hz, AC only, 15- or 20-amp electrical supply with a fuse or circuit breaker.

Recommended:

- A time-delay fuse or time-delay circuit breaker.
- A separate circuit serving only this microwave oven.

GROUNDING INSTRUCTIONS

■ For all cord connected appliances:

The microwave oven must be grounded. In the event of an electrical short circuit, grounding reduces the risk of electric shock by providing an escape wire for the electric current. The microwave oven is equipped with a cord having a grounding wire with a grounding plug. The plug must be plugged into an outlet that is properly installed and grounded.

WARNING: Improper use of the grounding plug can result in a risk of electric shock. Consult a qualified electrician or serviceman if the grounding instructions are not completely understood, or if doubt exists as to whether the microwave oven is properly grounded.

Do not use an extension cord. If the power supply cord is too short, have a qualified electrician or serviceman install an outlet near the microwave oven.

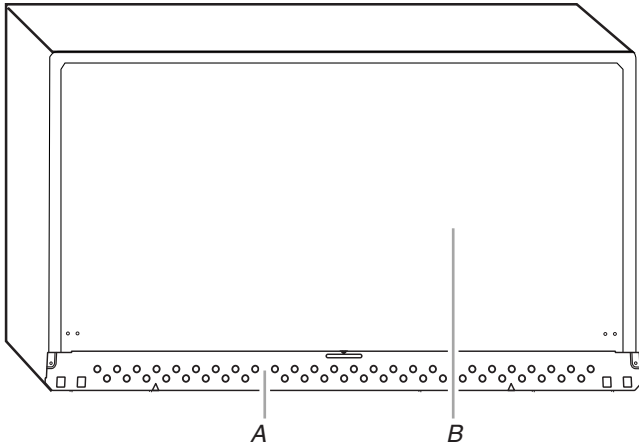
SAVE THESE INSTRUCTIONS

INSTALLATION INSTRUCTIONS

Remove Mounting Plate

NOTE: To avoid possible damage to the work surface, cover the work surface.

1. Remove any remaining contents from the microwave oven cavity.
2. Remove the 2 screws that attach the mounting plate to the back of the microwave oven, then remove mounting plate and set aside.



A. Mounting plate
B. Back of microwave oven

3. Reattach the 2 screws.
4. Tape the microwave oven door closed so that door does not swing open while the microwave oven is being handled.

NOTE: To avoid damage to the microwave oven, do not grip or use the door or door handle while the microwave oven is being handled.

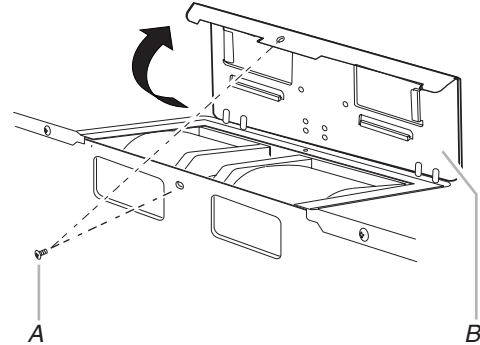
Rotate Blower Motor

The microwave oven is set for recirculation installation. For wall or roof venting, changes must be made to the venting system.

NOTE: Skip this section if you are using recirculation installation. Keep the damper assembly in case the venting method is changed, or the microwave oven is reinstalled in another location where wall or roof venting may be used.

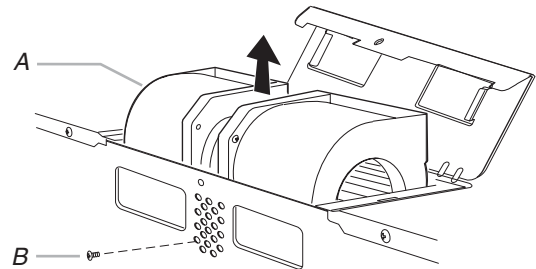
Wall Venting Installation Only

1. Remove screw attaching damper plate to top of microwave oven exterior. Lift up damper plate.



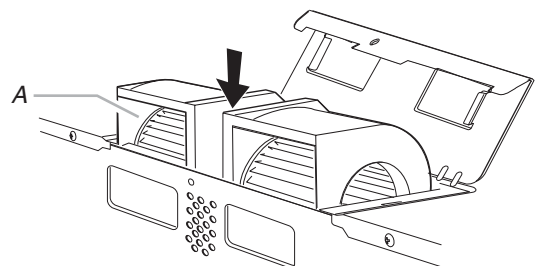
A. Screw
B. Damper plate

2. Remove the blower motor screw from the back of the microwave oven, then lift out blower motor.



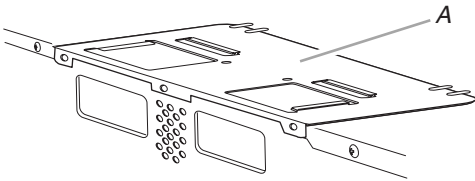
A. Blower motor
B. Blower motor screw

3. Rotate blower motor 180° so that exhaust ports face the back of microwave oven, and lower blower motor back into the microwave oven.



A. Exhaust port

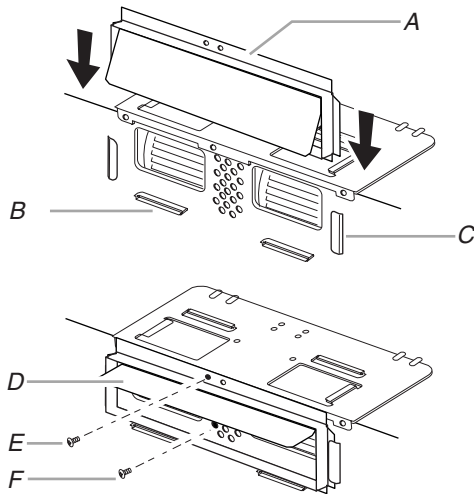
4. Close damper plate.



A. Damper plate (closed)

5. Attach damper assembly to the rear exhaust vent opening by sliding it down into the guides on both sides of the opening, and pushing it into the lower locking tabs.

NOTE: Make sure the assembly is oriented correctly, with the hinge at the top, and the blade opening away from the microwave oven.

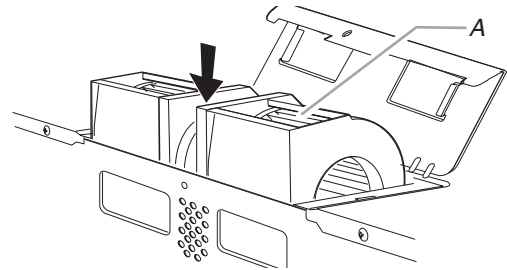


A. Damper assembly
 B. Lower locking tabs
 C. Guides
 D. Damper blade (open)
 E. Screw from damper plate
 F. Blower motor screw

6. Secure damper plate through damper assembly frame with the screw removed in Step 1.
7. Open the damper blade, and reinsert the blower motor screw removed in Step 2.

Roof Venting Installation Only

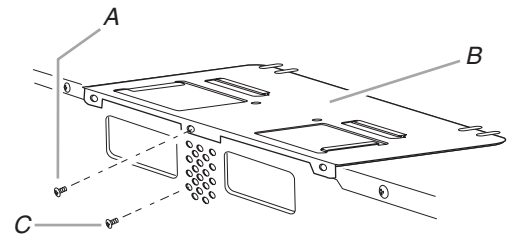
1. Repeat Step 1 from "Wall Venting Installation Only."
2. Repeat Step 2 from "Wall Venting Installation Only."
3. Rotate blower motor so that exhaust ports face the top of microwave oven, and flat sides of blower motor face back of microwave oven. Lower blower motor back into microwave oven.



A. Exhaust port

IMPORTANT: If blower motor is not positioned with flat sides facing the back of the microwave oven (as shown), performance will be poor.

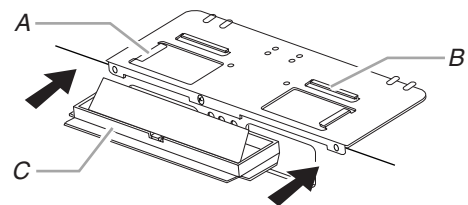
4. Close damper plate and secure it with screw removed in Step 1 of "Wall Venting Installation Only."



A. Screw from damper plate
 B. Damper plate
 C. Blower motor screw

5. Reinsert blower motor screw removed in Step 2 of "Wall Venting Installation Only."
6. Attach damper assembly to damper plate by sliding it into the guides on both sides of the damper plate's exhaust vent opening, and pushing it onto the locking tabs.

NOTE: Make sure the assembly is oriented correctly, with the hinge at the back, and the blade opening upward.



A. Guides
 B. Locking tabs
 C. Damper assembly

Locate Wall Stud(s)

NOTE: If no wall studs exist within the cabinet opening, do not install the microwave oven.

See illustrations in “Possible Wall Stud Configurations.”

1. Using a stud finder, locate the edges of the wall stud(s) within the opening.
2. Mark the center of each stud, and draw a plumb line down each stud center. See illustrations in “Possible Wall Stud Configurations.”

Possible Wall Stud Configurations

These depictions show examples of preferred installation configurations with the mounting plate.

NOTE: If wall stud is within 6" (15.2 cm) of the vertical centerline (see “Mark Rear Wall” section), only recirculation or roof venting installation can be done.

Figure 1 - One Wall Stud

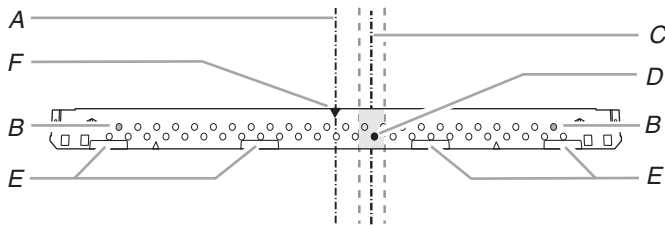
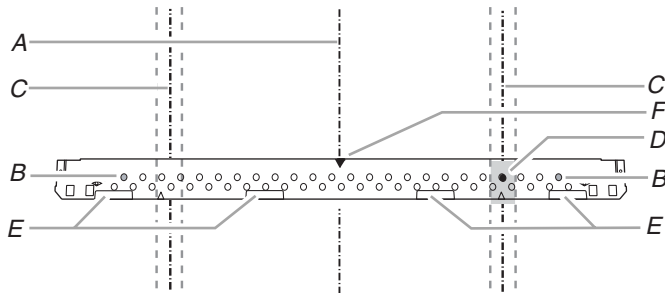


Figure 2 - Two Wall Studs



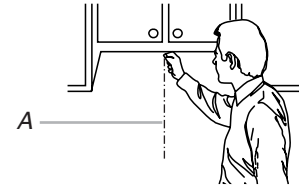
- A. Cabinet opening vertical centerline
- B. Holes for toggle bolts
- C. Wall stud centerlines
- D. Hole for lag screw
- E. Support tabs
- F. Mounting plate center marker

NOTE: Holes are for installation with 1 lag screw into the wall stud and 2 toggle bolts through the drywall.

Mark Rear Wall

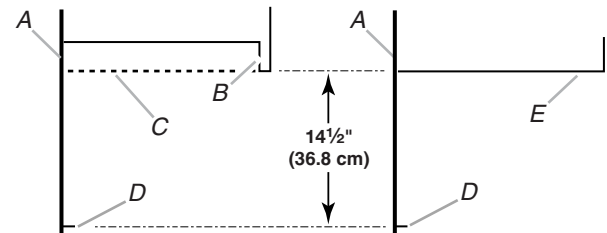
The microwave oven must be installed on a wall stud using a lag screw, plus 2 toggle bolts through the drywall.

1. Using measuring tape, find and clearly mark the vertical centerline of the opening.



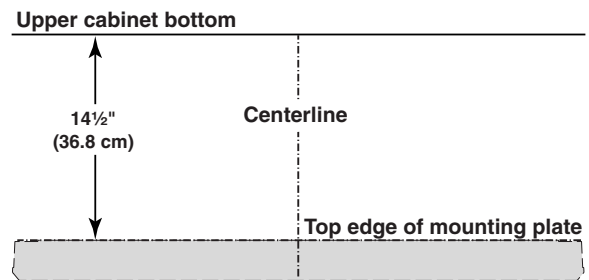
A. Centerline

2. Mark the centerline 14½" (36.8 cm) down from bottom edge of the upper cabinet (or flush line, if upper cabinet has a hanging front edge – see illustration).



- A. Rear wall
- B. Hanging front edge of upper cabinet
- C. Flush line
- D. Mark for top edge of mounting plate
- E. Bottom of smooth bottom upper cabinet

3. Using a straightedge, draw a level, horizontal line through the mark made in Step 2. This represents the top edge of the mounting plate.
4. Remove the mounting plate and check the markings:



The top edge line must be 14½" (36.8 cm) from the bottom of the upper cabinet, and must be level.

5. With the support tabs facing forward (see illustrations in “Locate Wall Stud(s)” section), align the mounting plate center marker to the centerline on the wall, making sure its top edge is aligned with the horizontal line drawn in Step 3. Make sure the mounting plate is level.
6. Through the mounting plate, mark a hole at each end of the mounting plate. These are the mounting holes.

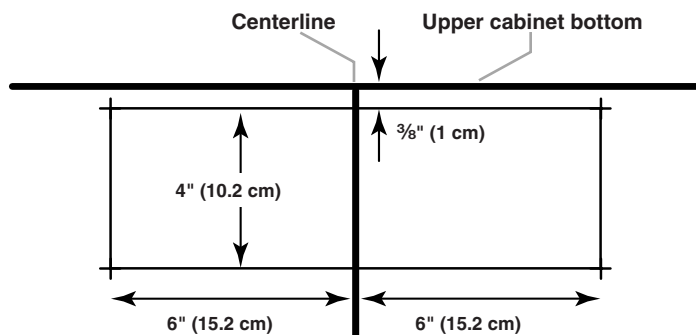
NOTE: If both mounting holes are over wall studs, mark another hole that is not over the wall stud near the left end of the mounting plate. This is the new mounting hole for the left side.

7. Holding the mounting plate in place, and making sure it is aligned with the top edge line, centerline and the mounting holes, find the wall stud centerline(s) drawn in Step 2 of "Locate Wall Stud(s)." Mark 1 hole through the mounting plate, closest to the wall stud centerline. See illustrations in "Locate Wall Stud(s)" section. The blackened holes in the shaded areas are ideal hole locations.

NOTE: If there are 2 wall studs in the opening, mark the hole over the wall stud to the right of the opening's centerline, as the microwave oven is heavier on its right-hand side. See Figure 2 in "Locate Wall Stud(s)" section.

8. Set the mounting plate aside.

Wall Venting Installation Only



9. Mark the centerline $\frac{3}{8}$ " (1 cm) down from the bottom edge of the upper cabinet.
10. Using measuring tape, measure out 6" (15.2 cm) on both sides of the centerline, and mark.
11. Measure down 4" (10.2 cm) from the mark made in Step 9, and mark.
12. Using a straightedge, draw the 2 horizontal, level lines through the marks made in steps 9 and 11.
13. Draw the 2 vertical, plumb lines down from the marks made in Step 7 to complete the 12" x 4" (30.5 x 10.2 cm) rectangle. This is the venting cutout area.
14. Cut a $\frac{3}{4}$ " (19 mm) hole in one corner of the cutout area.
15. Using a keyhole saw, cut out the venting cutout area.

Drill Holes in Rear Wall

In addition to being installed on a wall stud, the mounting plate must attach to the wall through mounting holes on both ends. If the mounting holes are not over wall studs, use two $\frac{3}{16}$ -20 x 3" hex-head bolts with toggle nuts. If 1 hole is over a wall stud, use 1 lag screw and one $\frac{3}{16}$ -20 x 3" hex-head bolt with toggle nut. If both end mounting holes are over wall studs, use a lag screw at the right side mounting hole, and use one $\frac{3}{16}$ -20 x 3" hex-head bolt with toggle nut at the new mounting hole marked in Step 6 of "Mark Rear Wall."

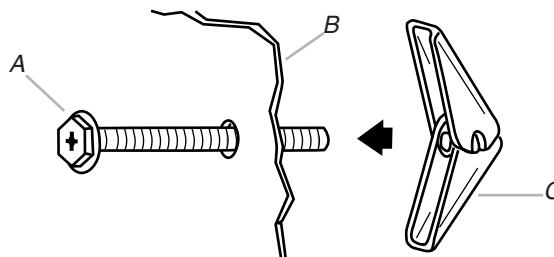
1. Drill $\frac{5}{8}$ " (16 mm) hole(s) through the wall at holes marked for $\frac{3}{16}$ -20 x 3" hex-head bolt(s) with toggle nut(s).
2. Drill $\frac{1}{8}$ " (3 mm) hole into the wall stud at the hole marked in Step 7 of "Mark Rear Wall." Refer to illustrations in "Locate Wall Stud(s)" section.

Attach Mounting Plate to Wall

NOTE: Secure the mounting plate to the wall at both end mounting holes drilled into the wall studs and/or drywall using either two $\frac{3}{16}$ -20 x 3" hex-head bolts with toggle nuts, or one $\frac{3}{16}$ -20 x 3" hex-head bolt with toggle nut and one $\frac{3}{16}$ x 2" lag screw.

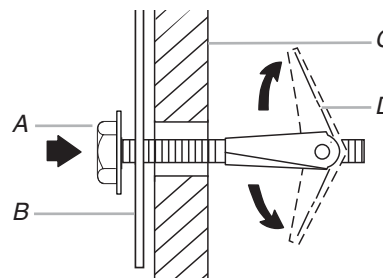
Refer to illustrations in "Locate Wall Stud(s)" section.

1. With the support tabs of the mounting plate facing forward, insert $\frac{3}{16}$ -20 x 3" hex-head bolt(s) through end mounting hole(s) that is(are) not over wall stud(s). Start toggle nut(s) on bolt(s) from the back of the mounting plate. Leave enough space for the toggle nut(s) to go through the wall and to open.



A. $\frac{3}{16}$ -20 x 3" hex-head bolt
B. Mounting plate
C. Spring toggle nut

2. Position mounting plate on the wall.
3. Push the bolt(s) with toggle nut(s) through the drywall, and finger tighten the bolt(s) to make sure toggle nut(s) has(have) opened against drywall.



A. $\frac{3}{16}$ -20 x 3" hex-head bolt
B. Mounting plate
C. Drywall
D. Spring toggle nut

4. Insert lag screw into the hole drilled into wall stud in Step 2 of "Drill Holes in Rear Wall."
5. Check alignment of mounting plate, making sure it is level.
6. Securely tighten lag screw and bolts.

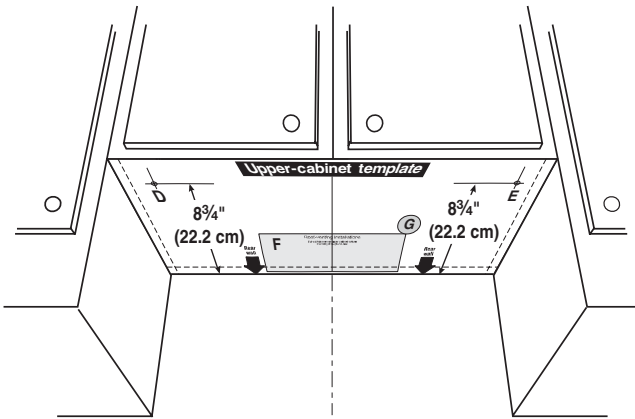
Prepare Upper Cabinet

1. Disconnect power to outlet.
2. Remove all contents from upper cabinet.
3. Place Upper Cabinet Template against the bottom of the upper cabinet, and attach with tape or thumbtacks. Make sure the template centerline aligns with the vertical centerline on the rear wall.

The "rear wall" arrows must be against the rear wall so that the holes cut into the upper cabinet align with the holes in the top of the microwave oven.

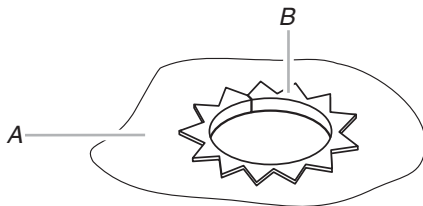
NOTE: If the upper cabinet has a frame around it, trim the template edges so that it fits inside the frame, against the upper cabinet bottom. The template has trim lines to use as guides.

4. Make sure the 8 $\frac{3}{4}$ " (22.2 cm) dimension from the rear wall to points "D" and "E" on the template is maintained.



5. Cut the 1 $\frac{1}{2}$ " (3.8 cm) diameter hole at the circular shaded area "G" on the template. This hole is for the power supply cord.

NOTE: If upper cabinet is metal, the supply cord bushing needs to be installed around the supply cord hole, as shown.



A. Metal cabinet
B. Power supply cord bushing

6. Drill 1/2" (13 mm) holes at points "D" and "E" on the template. These are for two 1/4-20 x 3" bolts used to secure the microwave oven to the upper cabinet.

For Roof Venting Installation Only

7. Cut 3/4" (19 mm) hole at one corner of the shaded rectangular area "F" on Upper Cabinet Template.
8. Using a keyhole saw, cut out the rectangular area.

Install the Microwave Oven

! WARNING

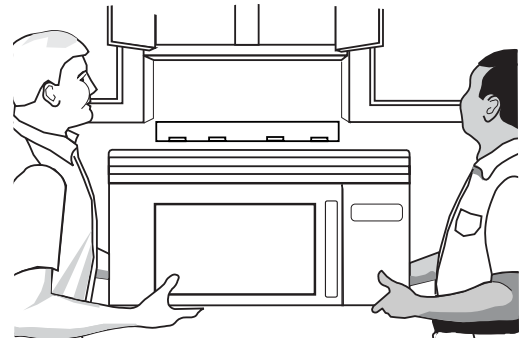
Excessive Weight Hazard

Use two or more people to move and install microwave oven.

Failure to do so can result in back or other injury.

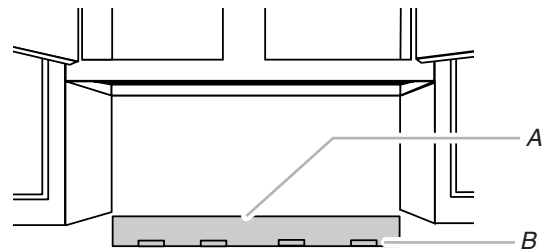
IMPORTANT: The control side of the microwave oven is the heavy side. Handle the microwave oven gently.

1. Place the 1/4-28 x 3 $\frac{1}{4}$ " flat-head bolts inside upper cabinet near the 1/2" (13 mm) holes.
2. Make sure the microwave oven door is closed and taped shut.



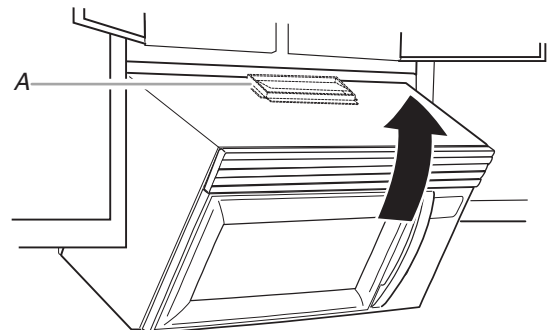
3. Using 2 or more people, lift microwave oven and hang it on support tabs at the bottom of mounting plate.

NOTE: To avoid damage to the microwave oven, do not grip or use the door or door handle while the microwave oven is being handled.



A. Mounting plate
B. Support tabs

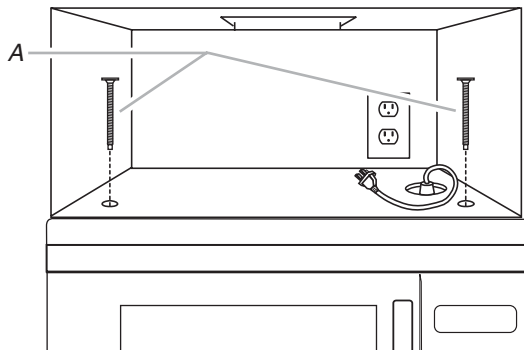
4. With front of microwave oven still tilted, thread power supply cord through the power supply cord hole in the bottom of the upper cabinet.
5. Rotate microwave oven up toward upper cabinet.



A. Damper assembly (roof venting installation only)

NOTE: If venting through the wall, make sure the damper assembly fits easily into the vent in the wall cutout.

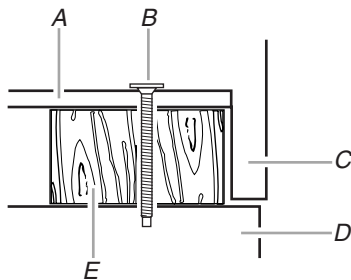
6. Push microwave oven against mounting plate and hold in place.
- NOTE:** If microwave oven does not need to be adjusted, skip steps 7-9.
7. If adjustment is required, rotate microwave oven downward. Using 2 or more people, lift microwave oven off of mounting plate, and set aside on a covered surface.
 8. Loosen mounting plate screws. Adjust mounting plate and retighten screws.
 9. Repeat steps 3-6.
 10. With the microwave oven centered, and with at least one person holding it in place, insert bolts through upper cabinet into microwave oven. Tighten bolts until there is no gap between upper cabinet and microwave oven.



A. Bolts

NOTES:

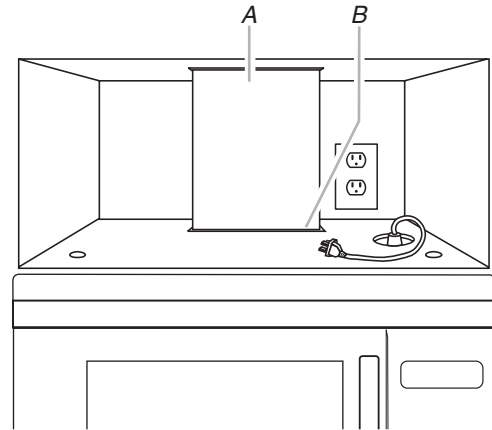
- Some upper cabinets may require bolts longer or shorter than 3¼" (8.3 cm). Longer or shorter bolts are available at most hardware stores.
- Overtightening bolts may warp the top of the microwave oven. To avoid warping, wood filler blocks (installer to provide) may be added. The blocks must be the same thickness as the space between the upper cabinet bottom and the microwave oven.



A. Upper cabinet bottom
 B. Bolt
 C. Hanging front edge
 D. Microwave oven
 E. Wood filler block

For Roof Venting Installation Only

11. Connect vent to damper assembly.



A. Vent
 B. Damper assembly (under vent)

Complete Installation

1. Install filters. Refer to the User Instructions for filter placement.

⚠ WARNING



Electrical Shock Hazard

Plug into a grounded 3 prong outlet.

Do not remove ground prong.

Do not use an adapter.

Do not use an extension cord.

Failure to follow these instructions can result in death, fire, or electrical shock.

2. Plug microwave oven into grounded 3 prong outlet.
3. Reconnect power.
4. Check the operation of microwave oven by placing 1 cup (250 mL) of water on the turntable, and programming a cook time of 1 minute at 100% power. Test vent fan and exhaust by operating the vent fan.
5. If the microwave oven does not operate:
 - Check that a household fuse has not blown, or that a circuit breaker has not tripped. Replace the fuse or reset the circuit breaker. If the problem continues, call an electrician.
 - Check that the power supply cord is plugged into a grounded 3 prong outlet.
 - See the User Instructions for troubleshooting information.

Installation is now complete.
 Save Installation Instructions for future use.

VENTING DESIGN SPECIFICATIONS

This section is intended for architectural designer and builder/contractor reference only.

NOTES:

- Vent materials needed for installation are not provided with microwave hood.
- We do not recommend using a flexible metal vent.
- To avoid possible product damage, be sure to vent air outside, unless using recirculation installation. Do not vent exhaust air into concealed spaces, such as spaces within walls or ceilings, attics, crawl spaces or garages.

For optimal venting installation, we recommend:

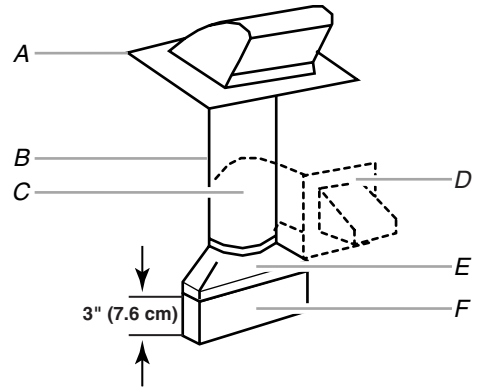
- using roof or wall caps that have back draft dampers
- using a rigid metal vent
- using the most direct route by minimizing the length of the vent and number of elbows to provide efficient performance
- using uniformly sized vents
- using duct tape to seal all joints in the vent system
- using caulking compound to seal exterior wall or roof opening around cap
- not installing 2 elbows together, for optimal hood performance

If venting through the wall, be sure that there is proper clearance within the wall for the damper to open fully.

If venting through the roof, and rectangular to round transition is used, be sure there is at least 3" (7.6 cm) of clearance between the top of the microwave oven and the transition piece. See "Rectangular to Round Transition" illustration.

Rectangular to Round Transition

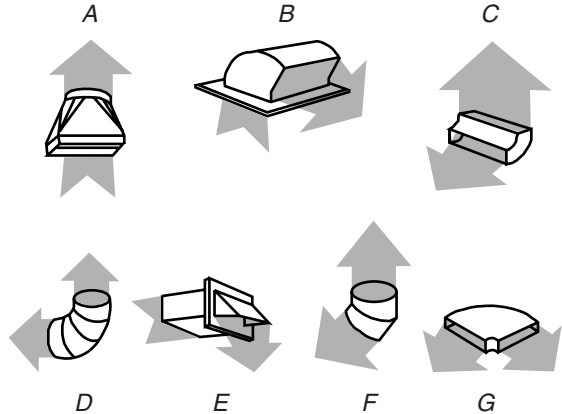
NOTE: The minimum 3" (7.6 cm) clearance must exist between the top of the microwave oven and the rectangular to round transition piece so that the damper can open freely and fully.



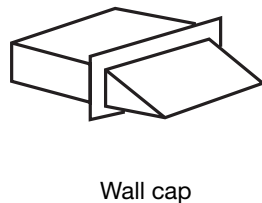
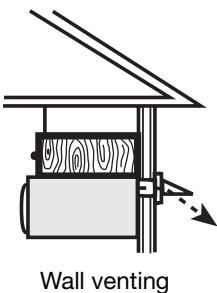
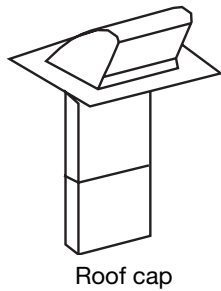
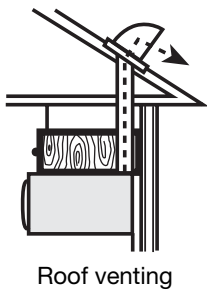
- A. Roof cap
- B. 6" (15.2 cm) min. diameter round vent
- C. Elbow (for wall venting only)
- D. Wall cap
- E. 3 1/4" x 10" to 6" (8.3 x 25.4 cm to 15.2 cm) rectangular to round transition piece
- F. Vent extension piece, at least 3" (7.6 cm) high

Recommended Standard Fittings

The following length equivalents are for use when figuring vent length. See the examples in "Recommended Vent Length."



- A. Rectangular to round transition piece: 3 1/4" x 10" to 6" = 5 ft (8.3 x 25.4 cm to 15.2 cm = 1.5 m)
- B. Roof cap: 3 1/4" x 10" = 24 ft (8.3 x 25.4 cm = 7.3 m)
- C. 90° elbow: 3 1/4" x 10" = 25 ft (8.3 x 25.4 cm = 7.6 m)
- D. 90° elbow: 6" = 10 ft (15.2 cm = 3 m)
- E. Wall cap: 3 1/4" x 10" = 40 ft (8.3 x 25.4 cm = 12.2 m)
- F. 45° elbow: 6" = 5 ft (15.2 cm = 1.5 m)
- G. 90° flat elbow: 3 1/4" x 10" = 10 ft (8.3 x 25.4 cm = 3 m)



Recommended Vent Length

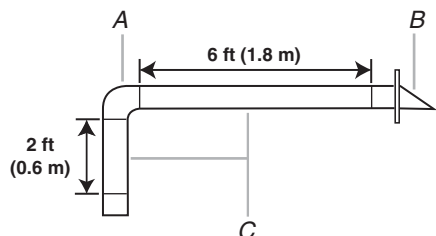
A 3¼" x 10" (8.3 x 25.4 cm) rectangular or 6" (15.2 cm) round vent should be used.

The total length of the vent system including straight vent, elbow(s), transitions and wall or roof caps must not exceed the equivalent of 140 ft (42.7 m) for either type of vent. See "Recommended Standard Fittings" section for equivalent lengths.

For best performance, use no more than three 90° elbows.

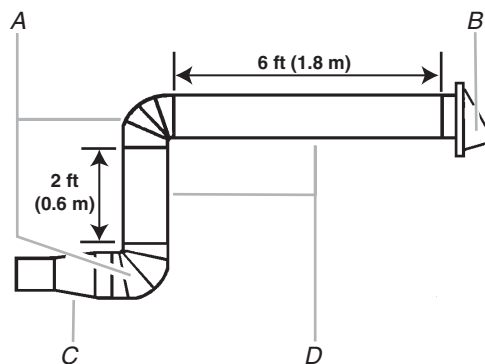
To calculate the length of the system you need, add the equivalent lengths of each vent piece used in the system. See the following examples:

3¼" x 10" (8.3 x 25.4 cm) vent system = 73 ft (22.2 m) total



- A. One 3¼" x 10" (8.3 x 25.4 cm) 90° elbow = 25 ft (7.6 m)
- B. 1 wall cap = 40 ft (12.2 m)
- C. 2 ft (0.6 m) + 6 ft (1.8 m) straight = 8 ft (2.4 m)

6" (15.2 cm) vent system = 73 ft (22.2 m) total



- A. Two 90° elbows = 20 ft (6.1 m)
- B. 1 wall cap = 40 ft (12.2 m)
- C. 1 rectangular to round transition piece = 5 ft (1.5 m)
- D. 2 ft (0.6 m) + 6 ft (1.8 m) straight = 8 ft (2.4 m)

If the existing vent is round, a rectangular to round transition piece must be used. In addition, a rectangular 3" (7.6 cm) extension vent between the damper assembly and rectangular to round transition piece must be installed to keep the damper from sticking.

ASSISTANCE

Call your authorized dealer or service center. When you call, you will need the microwave oven model number and serial number. Both numbers can be found on the model and serial number plate, which is located behind the microwave oven door on the front frame of the microwave oven.

If you need additional assistance, call us at our toll free number or visit our website listed in the User Instructions.

Replacement Parts

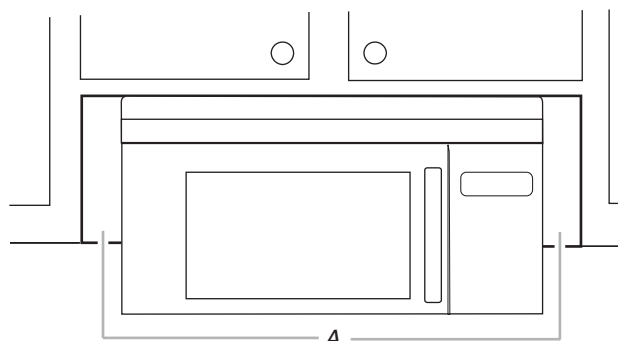
If any of the installation hardware needs to be replaced, call us at our toll free number listed in the User Instructions.

Following is a list of available replacement parts. You will need your model number located on the front facing of the microwave oven opening, behind the door.

- Damper Assembly
- Mounting Plate
- Upper Cabinet Template
- Mounting Screw Kit (includes parts A-E in "Parts Supplied" in the "Tools and Parts" section)

Accessories

Filler Panel Kits are available from your dealer to use when installing this microwave oven in a 36" (91.4 cm) or 42" (106.7 cm) wide opening. The filler panels come in pairs. Each panel is 3" (7.6 cm) wide.



A. Filler panels

Filler Panel Kit Number	8171336	White
	8171337	Black
	8171338	Biscuit
	8171339	Stainless Steel

See your authorized dealer or service center for details.

