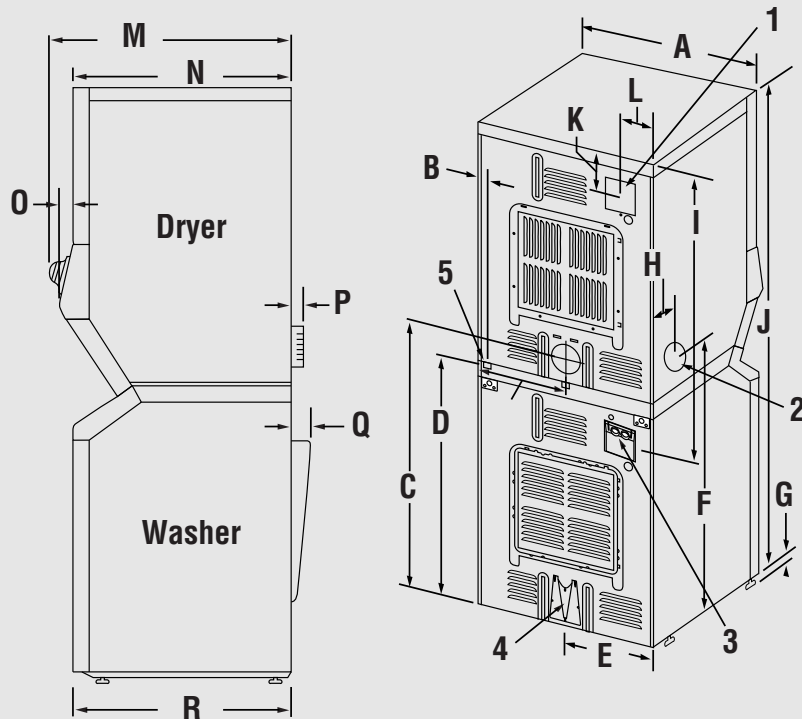


WASHER AND DRYER

Neptune Super Stack



Dimensions		
■	Inches	Centimeters
A	27	68.6
B	15/16	2.4
C	39 5/32	99.5
D	35 1/16	89.1
E	13 1/2	34.3
F	39 11/32	79.9
G	3/8 minimum	.95 minimum
H	6 27/32	17.4
I	41	104.2
J	71 7/8	182.6
K	5 1/2	14
L	5	12.7
M ⁶	29	73.7
N	27 1/2	69.9
O	5/8	1.6
P	3/4	1.9
Q	1 1/8	2.9
R	27 1/2	69.9

Notes:

1. Location of terminal block on electric models (cord supplied on Canadian models) and power supply cord on gas models.
2. Optional side vent location (kit required).
3. Location of washer water valve connections.
4. Exit location of washer drain hose.
5. Connection Gas Manifold.
6. To timer dial. Additional depth with venting will take from 1 1/4" to 7" (2.9 cm to 17.9 cm) of depth depending on the vent method used.

Important: Because of continuing product improvements, Maytag reserves the right to change specifications without notice. Dimensional specifications are provided for planning purposes only. For complete details see installation instructions that accompany each product before selecting cabinetry, making cutouts or beginning installation.