



FRENCH DOOR REFRIGERATOR

USER'S GUIDE & INSTALLATION INSTRUCTIONS

Please read this guide
thoroughly before
operating and keep it handy
for reference at all times.

RÉFRIGÉRATEUR À PORTES FRANÇAISES

GUIDE D'UTILISATION ET INSTRUCTIONS D'INSTALLATION

Veuillez lire ce guide attentivement
avant la mise en service de l'appareil
et gardez-le à portée de main
pour le consulter en cas de besoin.

REFRIGERADOR DE PUERTA FRANCES

GUÍA PARA EL USO E INSTRUCCIONES DE INSTALACIÓN

Lea detenidamente estas
instrucciones antes utilizar
el frigorífico y guárdelas como
referencia para el futuro.

Models/Modelos/Modèles

LFX25961**

To contact LG Electronics, 24 hours a day,
7 days a week:

1-800-243-0000

Or visit us on the Web at: us.lge.com

Pour contacter LG Electronics, 24 heures par
jour, 7 jours par semaine:

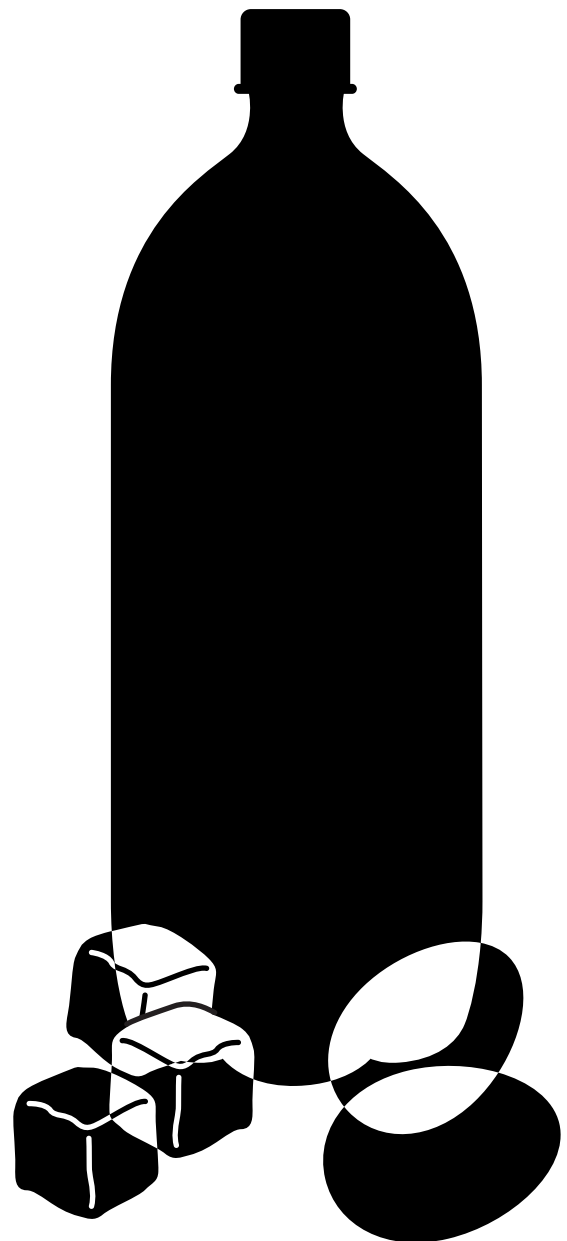
1-800-243-0000

Ou visitez notre site Web à l'adresse: us.lge.com

Para comunicarse con LG Electronics,
24 horas al día, 7 días a la semana:

1-800-243-0000

O visítenos en la Web en: us.lge.com



INTRODUCTION

IMPORTANT SAFETY INFORMATION

Basic Safety Precautions	3
CFC Disposal	4
How to Connect Electricity	5

PARTS AND FEATURES

Special Features	6
Key Parts and Components	7

INSTALLATION

Choose the Proper Location	8
Clearances	8
Flooring	9
Handle Removal.....	9
Door and Drawer Removal.....	10
Connecting the Water Supply	16
Connecting the Water Lines.....	16
Leveling the Refrigerator Doors	18
Starting.....	19

HOW TO USE

Control Panel Features	20
The LED Display	21
Adjusting the Temperatures and Display	22
Operating the Dispenser	23
Setting the Functions	24
In-Door Ice Bin	25
Automatic Icemaker	26
Storing Foods	27
Location of Foods	28
Shelf Height Adjustment	29

CARE AND CLEANING

Replacing Light Bulbs	30
Removing and Replacing Components	31
Cleaning the Refrigerator	35
General Information	35
Replacing the Water Filter.....	36

TROUBLESHOOTING

Before Calling for Service	37
----------------------------------	----

SPECIFICATIONS

Key Dimensions and Specifications	41
---	----

WARRANTY

Product Registration Information	42
--	----

THANK YOU!

Congratulations on your purchase
and welcome to the LG family.

Your new LG French Door

Refrigerator combines

advanced cooling technology

with simple operation and high

efficiency. Follow the operating

and care instructions in this

manual and your refrigerator


will provide you with many years


of reliable service.


IMPORTANT SAFETY INFORMATION


BASIC SAFETY PRECAUTIONS

This guide contains many important safety messages. Always read and obey all safety messages.

 This is the safety alert symbol. It alerts you to safety messages that inform you of hazards that can kill or hurt you or others or cause damage to the product. All safety messages will be preceded by the safety alert symbol and the hazard signal word DANGER, WARNING, or CAUTION. These words mean:

 **DANGER** You **might** be killed or seriously injured if you don't follow instructions.

 **WARNING** You **can** be killed or seriously injured if you don't follow instructions.

 **CAUTION** Indicates an imminently hazardous situation which, if not avoided, **may** result in minor or moderate injury, or product damage.

All safety messages will identify the hazard, tell you how to reduce the chance of injury, and tell you what can happen if the instructions are not followed.

WARNING

To reduce the risk of fire, electric shock, or injury to persons when using your product, basic safety precautions should be followed, including the following.

Read all instructions before using this appliance.

- NEVER unplug your refrigerator by pulling on the power cord. Always grip the plug firmly and pull it straight out from the outlet.
- Repair or replace immediately all electric service cords that have become frayed or otherwise damaged. Do not use a cord that shows cracks or abrasion damage along its length or at either the plug or connector end.
- When moving your refrigerator away from the wall, be careful not to roll over or damage the power cord.
- DO NOT store or use gasoline or other flammable vapors and liquids in the vicinity of this or any other appliance.
- DO NOT allow children to climb, stand, or hang on the refrigerator doors or shelves in the refrigerator. They could damage the refrigerator and seriously injure themselves.
- Keep fingers out of pinch point areas; clearances between the doors and cabinet are necessarily small. Be careful closing doors when children are in the area.
- Unplug your refrigerator before cleaning or making any repairs.
NOTE: Service should be performed by a qualified technician.
- Before replacing a burned-out light bulb, unplug the refrigerator or turn off power at the circuit breaker or fuse box in order to avoid contact with a live wire filament. (A burned-out light bulb may break when being replaced.)
NOTE: Some models have LED interior lighting and service should be performed by a qualified technician.
NOTE: Setting either or both controls to the OFF position does not remove power to the light circuit.
- When you are finished, reconnect the refrigerator to the electrical source and reset the control (Thermostat Refrigerator Control, or Freezer Control, or Freezer Control, depending on the model) to the desired setting.
- This refrigerator must be properly installed in accordance with the **Installer Instructions** that were taped to the front of the refrigerator.
- After your refrigerator is in operation, do not touch the cold surfaces in the freezer compartment when hands are damp or wet. Skin may adhere to the extremely cold surfaces.
- In refrigerators with automatic icemakers, avoid contact with the moving parts of the ejector mechanism or with the heating element that releases the cubes. DO NOT place fingers or hands on the automatic icemaking mechanism while the refrigerator is plugged in.
- **Do not modify or extend the power cord length.** It will cause electric shock or fire.

IMPORTANT SAFETY INFORMATION

BASIC SAFETY PRECAUTIONS (CONT.)

- DO NOT refreeze frozen foods which have thawed completely. The United States Department of Agriculture in Home and Garden Bulletin No. 69 says:
...You may safely refreeze frozen foods that have thawed if they still contain ice crystals or if they are still cold—below 40°F (4°C).
...Thawed ground meats, poultry, or fish that have any off-odor or off-color should not be refrozen and should not be eaten. Thawed ice cream should be discarded. If the odor or color of any food is poor or questionable, dispose of it. The food may be dangerous to eat.

Even partial thawing and refreezing reduces the quality of foods, particularly fruits, vegetables, and prepared foods. The eating quality of red meats is affected less than that of many other foods. Use refrozen foods as soon as possible to save as much of their quality as you can.

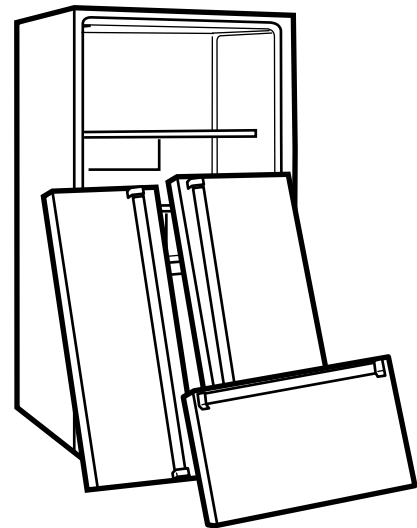
⚠️ DANGER

Risk of Child Entrapment

Discarded or abandoned refrigerators are dangerous, even if they will sit for just a few days. If you are disposing of your old refrigerator, please follow the instructions below to help prevent accidents.

Before you throw away your old refrigerator or freezer:

- Take off the doors.
- Leave the shelves in place so that children may not easily climb inside.



CFC DISPOSAL

Your old refrigerator may have a cooling system that used CFCs (chlorofluorocarbons). CFCs are believed to harm stratospheric ozone.

If you are throwing away your old refrigerator, make sure the CFC refrigerant is removed for proper disposal by a qualified servicer. If you intentionally release this CFC refrigerant, you can be subject to fines and imprisonment under provisions of environmental legislation.

IMPORTANT SAFETY INFORMATION

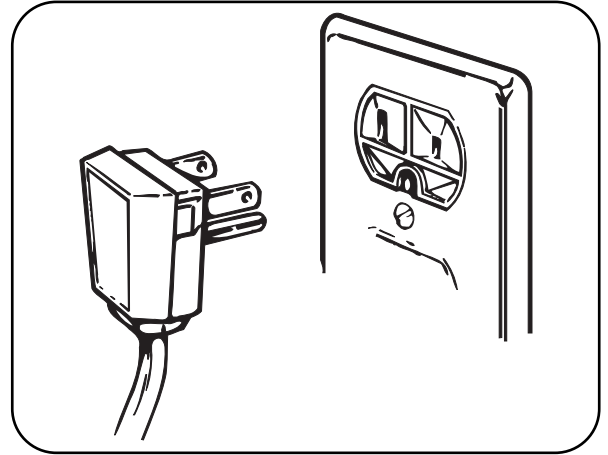
HOW TO CONNECT ELECTRICITY

IMPORTANT: Please read carefully.

⚠️ WARNING

Electrical Shock Hazard

For personal safety, this appliance must be properly grounded. Have the wall outlet and the circuit checked by a qualified electrician to make sure the outlet is properly grounded.



RECOMMENDED GROUNDING METHOD

The refrigerator should always be plugged into its own individual properly grounded electrical outlet rated for 120 volts, 60 Hz, AC only, and fused at 20 amperes. This provides the best performance and also prevents overloading house wiring circuits which could cause a fire hazard from overheated wires. It is recommended that a separate circuit serving only this appliance be provided.

Use a receptacle which cannot be turned off with a switch or pull chain. Do not use an extension cord. Where a standard two-prong wall outlet is encountered, it is your personal responsibility and obligation to have it replaced with a properly grounded three-prong wall outlet.

Do not, under any circumstances, cut or remove the third (ground) prong from the power cord.

Do not use an adapter plug.

NOTE: Some models have LED interior lighting and service should be performed by a qualified technician.

When you are finished, reconnect the refrigerator to the electrical source and reset the control (Thermostat, Refrigerator Control, or Freezer Control, depending on the model) to the desired setting.

USE OF EXTENSION CORDS

Because of potential safety hazards under certain conditions, we strongly recommend against the use of an extension cord.

However, if you still elect to use an extension cord, it is absolutely necessary that it be a UL-listed (USA), 3-wire grounding-type appliance extension cord having a grounding-type plug and outlet and that the electrical rating of the cord be 20 amperes (minimum) and 120 volts.

Use of an extension cord will increase the clearance needed for the back of the refrigerator.

SAVE THESE INSTRUCTIONS

PARTS AND FEATURES

SPECIAL FEATURES

1 CONTROL PANEL LED DISPLAY SCREEN

Simple electronic controls are user-friendly. The LED screen shows refrigerator and freezer temperatures, displays water filter status, dispenser information, and more.

2 ICE PLUS

When this feature is activated, the freezer section will run at the coldest temperature for a 24-hour period to increase ice production by about 20 percent.

3 FILTERED WATER AND ICE DISPENSER

The water dispenser offers fresh, chilled, filtered water through the door. The ice dispenser offers cubed or crushed ice.

4 DOOR ALARM

A warning alarm sounds at 30-second intervals when the refrigerator or freezer door is left open for more than 60 seconds.

5 IN-DOOR ICE BIN

The icemaker automatically produces 80–130 ice cubes in a 24-hour period to keep the ice dispenser fully supplied. The in-door design creates more shelf space.

6 CRISPERS

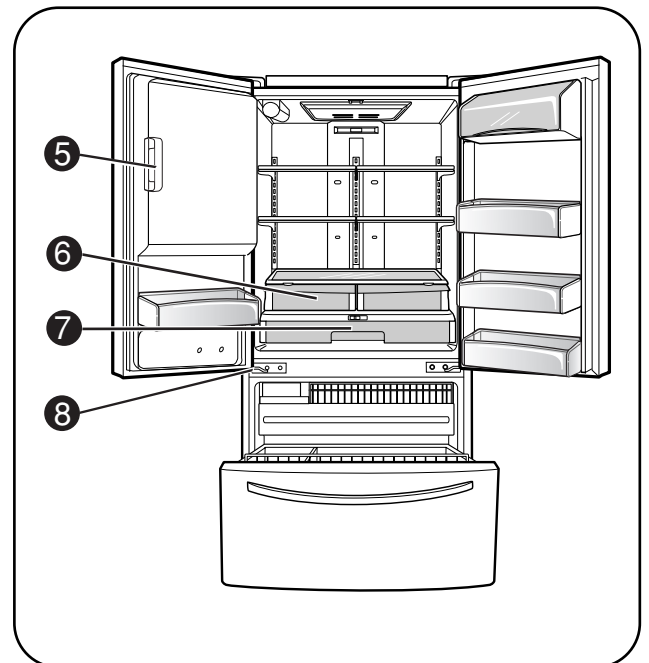
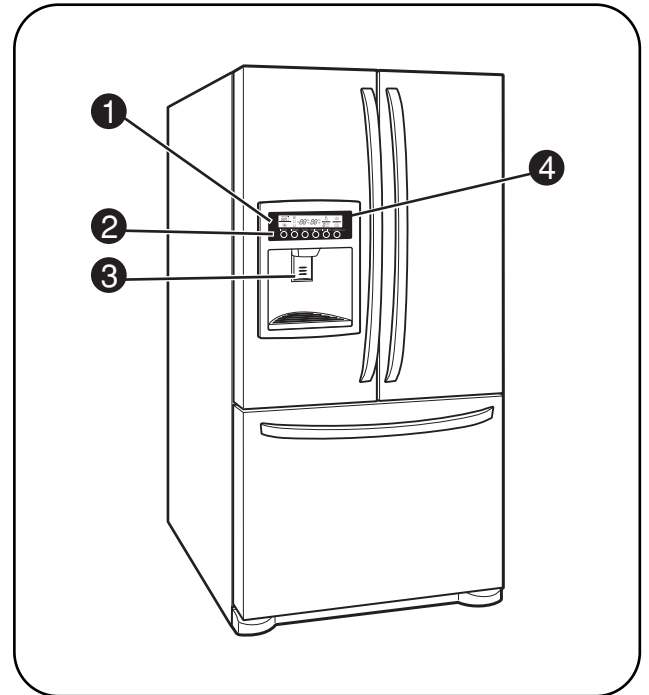
LG's crispers preserve humidity and help vegetables stay crisp.

7 GLIDE'N'SERVE

Provides storage space with a variable temperature control that keeps the compartment colder than refrigerator.

8 AUTO CLOSING HINGE

When you slightly push the door of the refrigerator, it is automatically closed. (The door is automatically closed within 30° of the opening angle.)



NOTE: This guide covers several different models. The refrigerator you have purchased may have some or all of the items listed below. The locations of the features shown below may not match your model.

PARTS AND FEATURES

KEY PARTS AND COMPONENTS

In addition to the special features and components outlined in the **Special Features** section, there are several other important components that are referenced in this manual.

1 ADJUSTABLE REFRIGERATOR SHELVING

The refrigerator compartment shelves are adjustable to allow flexibility for storage needs.

2 MODULAR DOOR BINS

Three interchangeable bins can be arranged to suit your storage needs.

3 REMOVABLE ICE STORAGE BIN

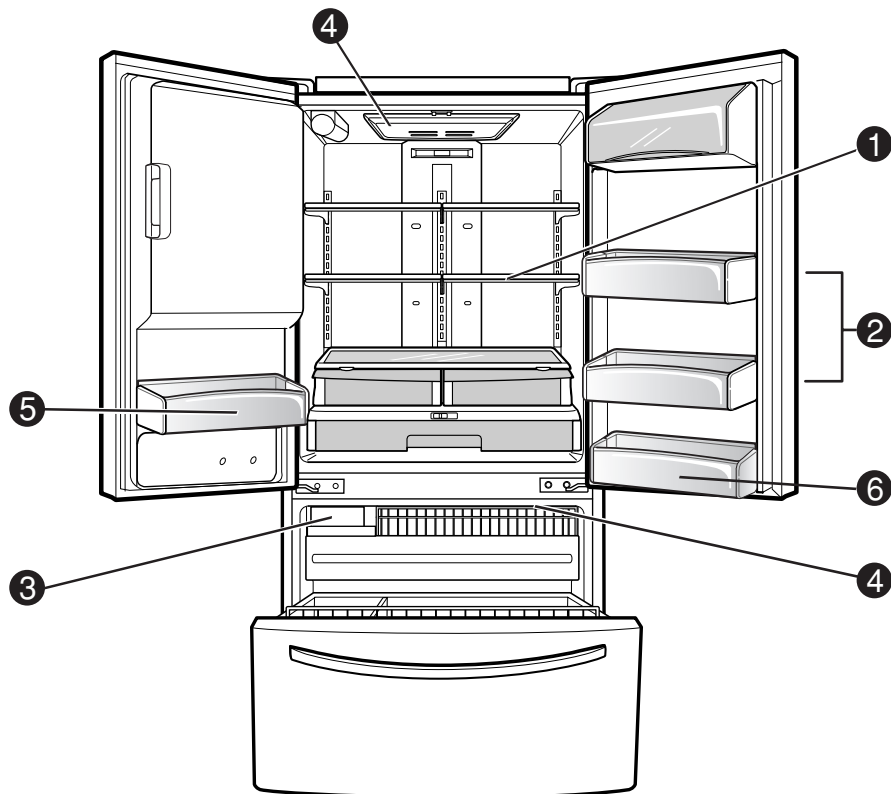
The ice storage bin can be removed to fill ice buckets, coolers, or pitchers.

4 INTERIOR LAMPS

Two separate lamps light the freezer and refrigerator interiors.

5 FIXED DOOR BIN

6 FIXED DOOR BIN



INSTALLATION

CHOOSE THE PROPER LOCATION

⚠️ WARNING

Excessive Weight Hazard

Two or more people are required when moving and unpacking the appliance.

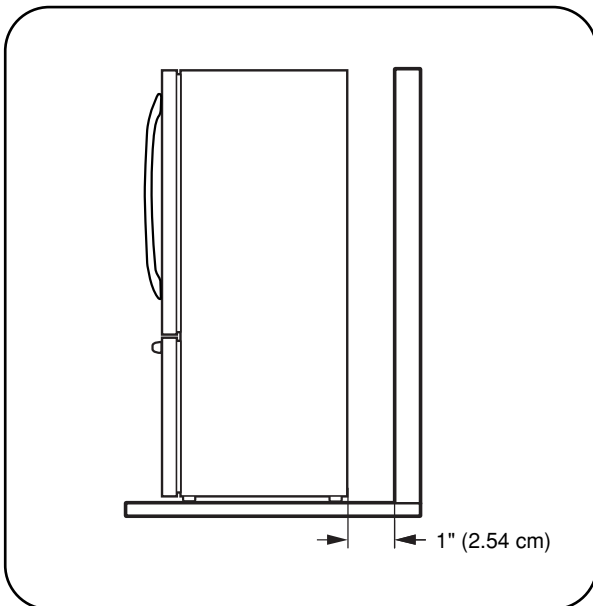
- Store and install the refrigerator where it will not be exposed to temperatures below freezing or exposed to outdoor weather conditions.
- Install this appliance in an area where the temperature is between 55°F (13°C) and 110°F (43°C). If the temperature around the appliance is too low or too high, cooling ability may be adversely affected.
- If this refrigerator is installed where the temperature is above 110°F (43°C), the freezing capacity is compromised and the cost of electricity used increases.

- To reduce the risk of electric shock, do not install the refrigerator in a wet or damp area.
- Select a place where a water supply can be easily connected for the automatic icemaker and dispenser.
- Unstable installation may cause vibration and noise. If the floor is not even, make the refrigerator level by rotating the height adjusting screws.
- Properly ground the refrigerator to conform with all governing codes and ordinances.

⚠️ CAUTION

Avoid placing the unit near heat sources, direct sunlight, or moisture.

CLEARANCES



- Too small a distance from adjacent items may result in lowered freezing capability and increased electricity consumption charges. Allow at least 24 in. (61 cm) in front of the refrigerator to open the doors.

NOTE: For complete dimensions and specifications, see page 40.

FLOORING

- To minimize noise and vibration, the refrigerator **MUST** be installed on a solidly constructed floor.
- To avoid vibration, the unit must be level. If required, adjust the leveling legs to compensate for unevenness of the floor. The front should be slightly higher than the rear to aid in door closing. The leveling legs can be turned easily by pushing against the top of the refrigerator to take the weight off the feet. Turn the leveling legs clockwise to raise the unit or counterclockwise to lower it.

- Carpeting and soft tile surfaces are not recommended.
- Never install the refrigerator on a platform or weakly supported structure.

NOTE: When moving the refrigerator for cleaning or service, be sure to protect the floor. Always pull the refrigerator straight out when moving it. Do not wiggle or walk the refrigerator when trying to move it; floor damage could occur.

NOTE: It is recommend that the doors be removed when it is necessary to move the refrigerator through a narrow opening.

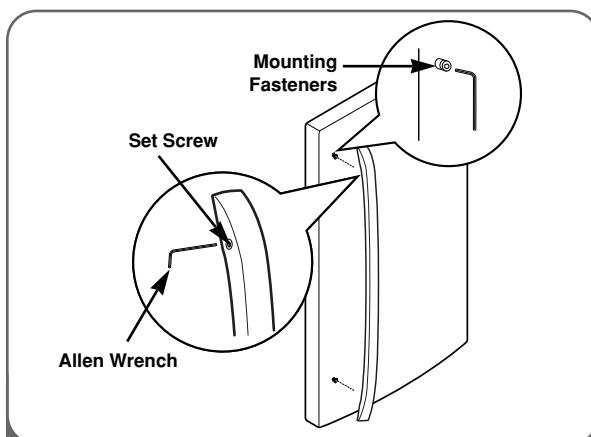
HANDLE REMOVAL

To move the refrigerator through a house door, it may be necessary to remove the refrigerator door handles.

NOTE: Handle appearance may vary from illustrations on this page.

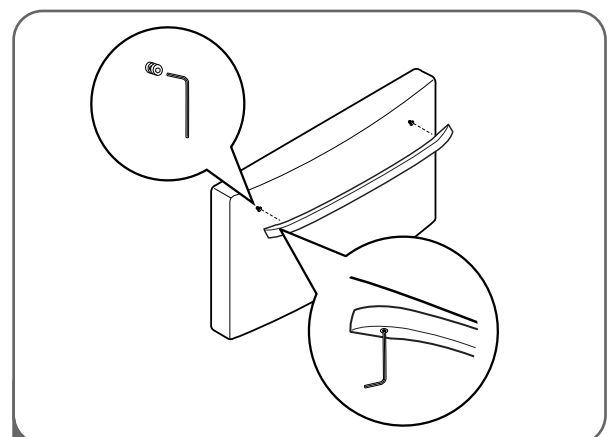
⚠ CAUTION

- Use special care when removing handles to prevent scratching the doors.
- The handle could be damaged if you hit it with a hammer while removing or attaching.
- When you assemble or disassemble a handle, you must push or pull with reasonable force.



- 1 Loosen the set screws with a 2.5 mm (3/32") Allen wrench and remove the handle.

NOTE: If the handle mounting fasteners need to be tightened or removed, use a 1/4" Allen wrench.



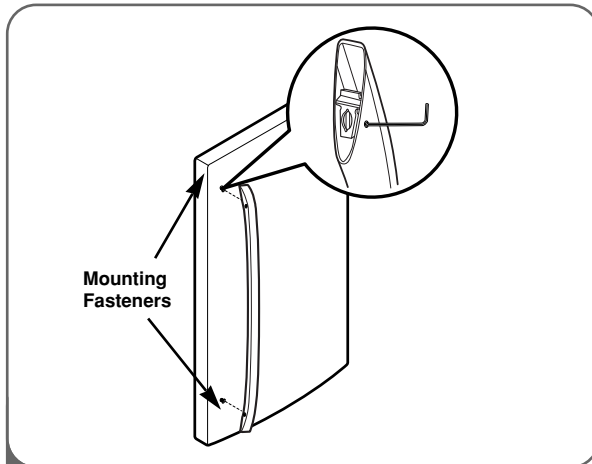
- 2 Loosen the set screws located on the lower side of the handle with a 2.5 mm (3/32") Allen wrench and remove the handle.

NOTE: If the handle mounting fasteners need to be tightened or removed, use a 1/4" Allen wrench.

INSTALLATION

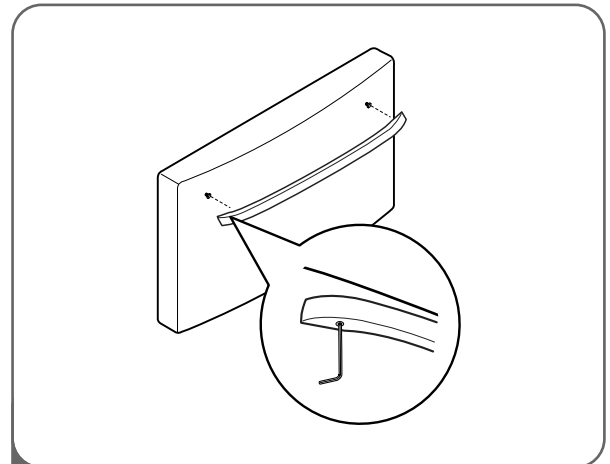
HANDLE REMOVAL (CONT.)

HANDLE REINSTALLATION



- 1 Place the handle on the door by aligning handle footprints to fit mounting fasteners and tighten the set screws with a 2.5 mm (3/32") Allen wrench.

NOTE: If the handle mounting fasteners need to be tightened or removed use a 1/4" Allen wrench



- 2 Place the handle on the door by aligning handle footprints to fit mounting fasteners and tighten the set screws on the bottom of the handle with a 2.5 mm (3/32") Allen wrench.

NOTE: If the handle mounting fasteners need to be tightened or removed use a 1/4" Allen wrench.

DOOR AND DRAWER REMOVAL

DOOR REMOVAL

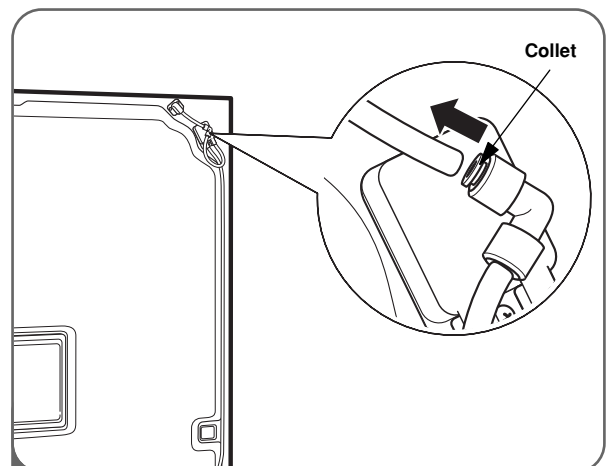
⚠ WARNING

Electric Shock Hazard

- Disconnect electrical supply to the refrigerator before installing. Failure to do so could result in death or serious injury.
- Do not put hands or feet or metal sticks into the air vents, base grille, or bottom of the refrigerator. You may be injured or receive an electrical shock.
- Be careful when you work with the hinge, base grille, and stopper. You may be injured.

Before you begin, remove food and bins from the doors.

If your entrance door is too narrow for the refrigerator to pass through, remove the refrigerator door and move the refrigerator sideways through the doorway.



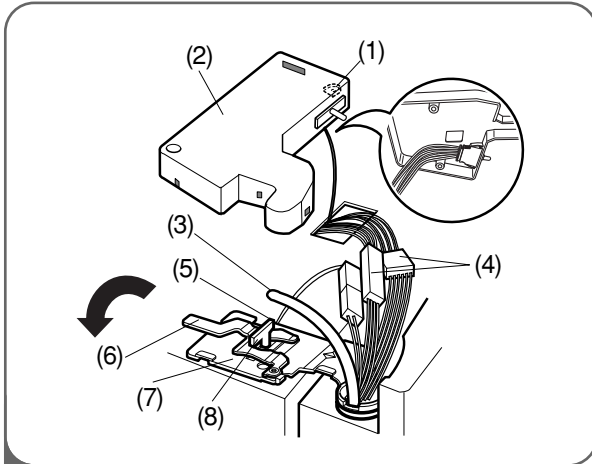
- 1 **To remove the left refrigerator door:**

Pull the water tube out of the fitting while pressing the release ring on the fitting.

NOTE : When you pull out the tube, first you have to push the collet by opposite direction of arrow in the upper picture and pull the tube out by direction of arrow.

DOOR AND DRAWER REMOVAL (CONT.)

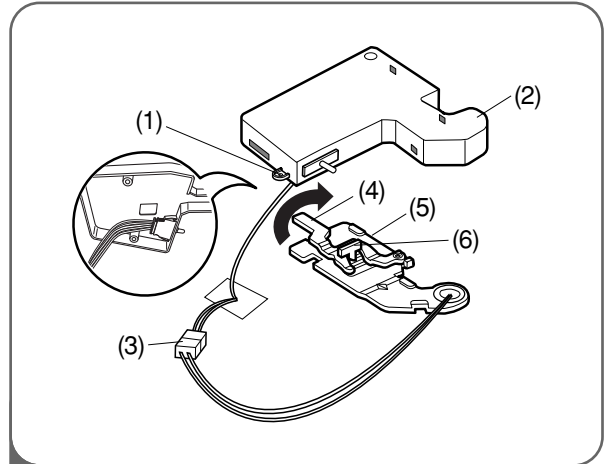
DOOR REMOVAL (CONT.)



- 2**
- Open the door. Remove the top hinge cover screw (1).
 - Use a flat-head screwdriver to pry back the hooks (not shown) on the front underside of the cover (2). Lift up the cover.
 - Remove the cover. Pull out the tube (3).
 - Disconnect all the wire harnesses (4).
 - Remove the grounding screw (5)
 - Rotate hinge lever (6) counterclockwise. Lift the top hinge (7) free of the hinge lever latch (8).

IMPORTANT: When lifting the hinge free of the latch, be careful that the door does not fall forward.

- Lift the door from the middle hinge pin and remove the door.
- Place the door, inside facing up, on a non-scratching surface.



- 3**
- To remove the right refrigerator door:**
- Open the door. Remove the top hinge cover screw (1). Lift up the cover (2).
 - Remove the cover.
 - Disconnect the wire harness (3).
 - Rotate the hinge lever (4) clockwise. Lift the top hinge (5) free of the hinge lever latch (6).

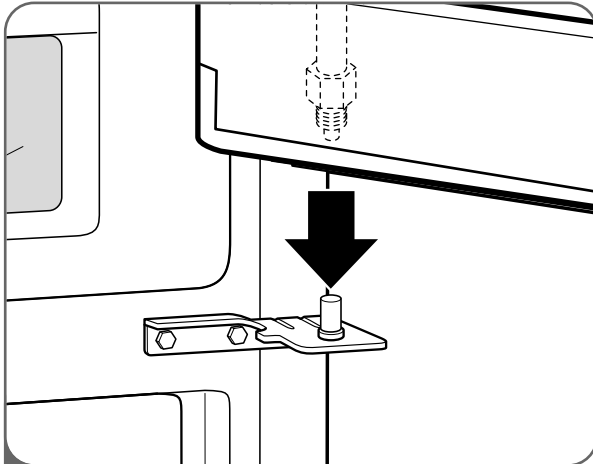
IMPORTANT: When lifting the hinge free of the latch, be careful that the door does not fall forward.

- Lift the door from the middle hinge pin and remove the door.
- Place the door, inside facing up, on a non-scratching surface.

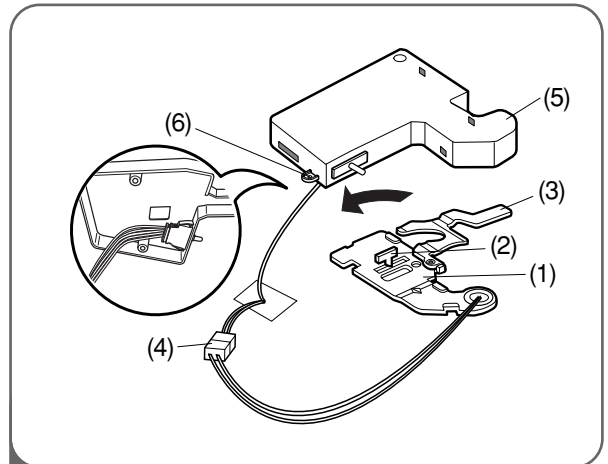
INSTALLATION

DOOR AND DRAWER REMOVAL (CONT.)

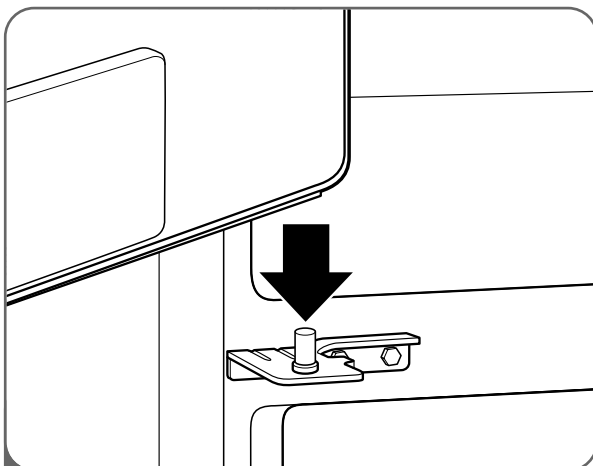
DOOR REINSTALLATION



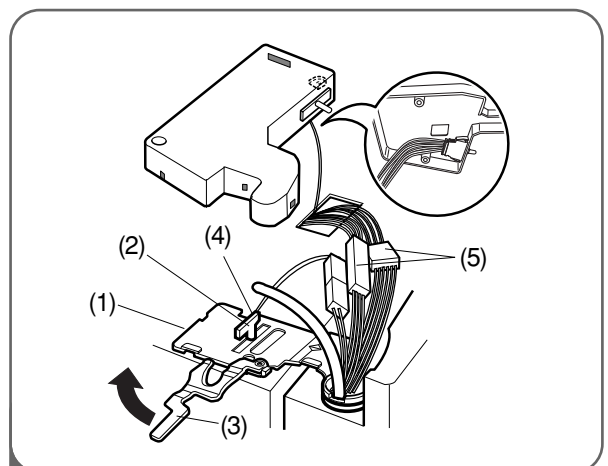
- 1 Install the right-side door first.
- Lower the door onto the middle hinge pin as shown.
 - Make sure the plastic sleeve is inserted in the bottom of the door.



- 2
- Fit the top hinge (1) over the hinge lever latch (2) and into place. Rotate the lever (3) counterclockwise to secure the hinge.
 - Connect the wire harness (4).
 - Hook the tab on the door-switch side of the cover (5) under the edge of the wire opening in the cabinet top. Position the cover into place. Insert and tighten the cover screw (6).



- 3 Install the left-side door.
- Lower the door onto middle hinge pin.

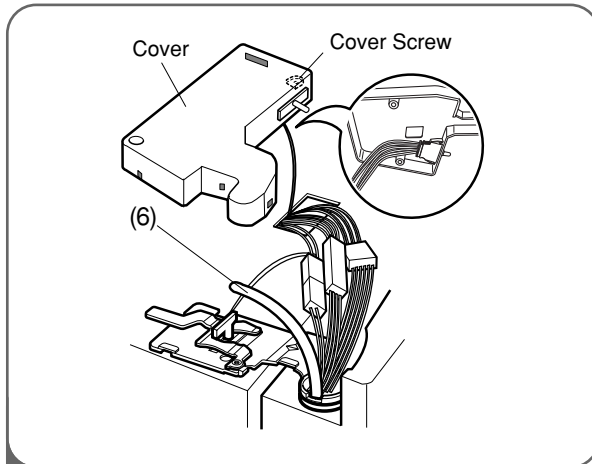


- 4
- Fit the top hinge (1) over the hinge lever latch (2) and into place. Rotate the lever (3) clockwise to secure the hinge.
 - Install the grounding screw (4) and connect all the wire harnesses (5).

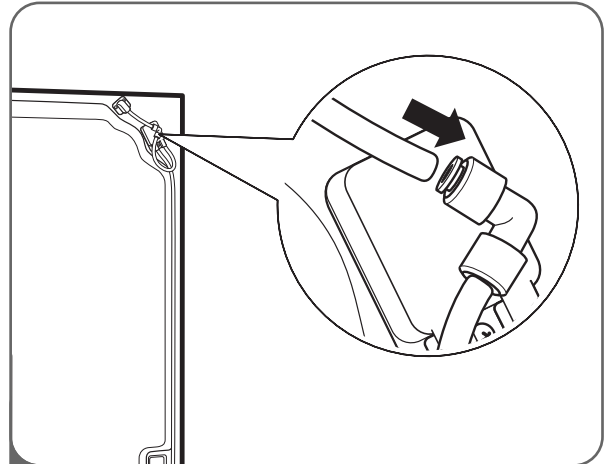
INSTALLATION

DOOR AND DRAWER REMOVAL (CONT.)

DOOR REINSTALLATION (CONT.)

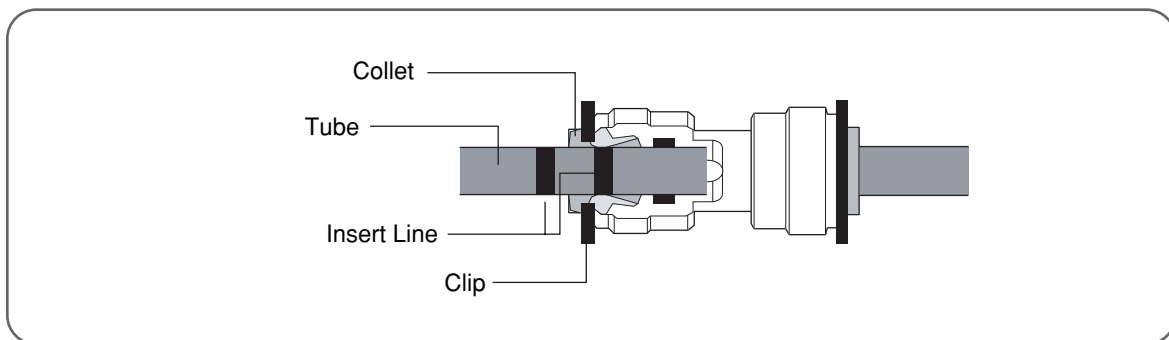


- 5 • Push the water supply tube (6) into the hole on the top case and pull it through the backplate.

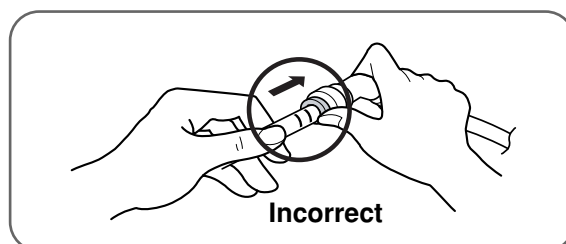
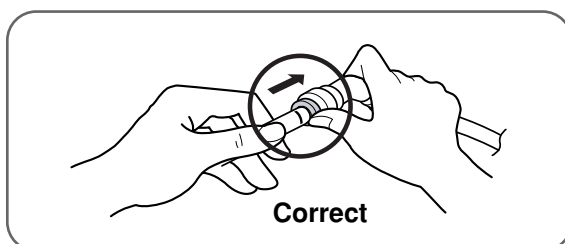


- 6 Insert the water supply tube into the connector.
- Insert the tube at least 5/8 in. (15 mm) into the connector.
 - Hook the tab on the door-switch side of the cover under the edge of the wire opening in the cabinet top. Position the cover into place. Insert and tighten the cover screw.

⚠ CAUTION



1. Insert the tube until you can see only one of the lines printed on the tube.
2. After inserting, pull the tube to ascertain that it is secure.
3. Assemble the clip.



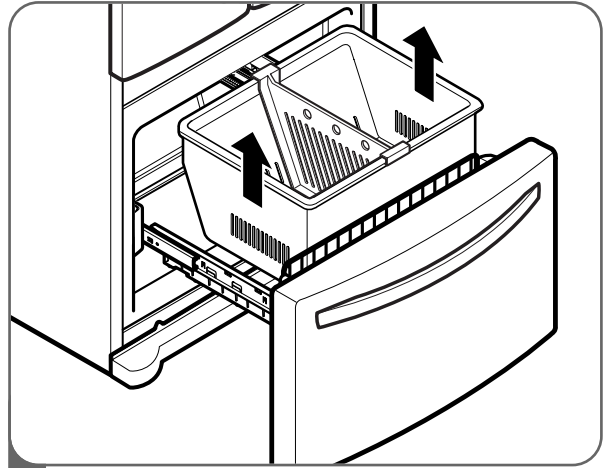
INSTALLATION

DOOR AND DRAWER REMOVAL (CONT.)

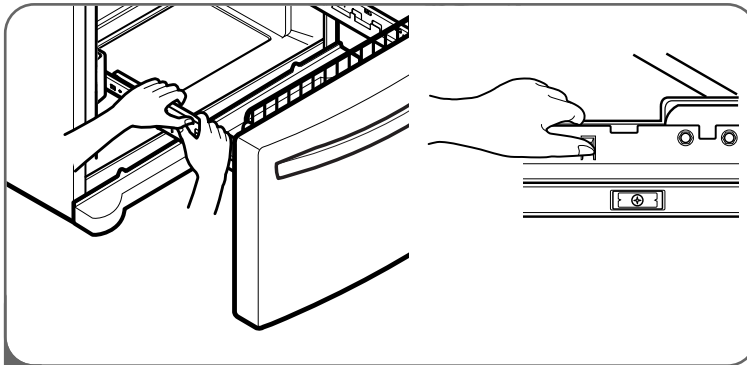
FREEZER DRAWER REMOVAL

⚠ CAUTION

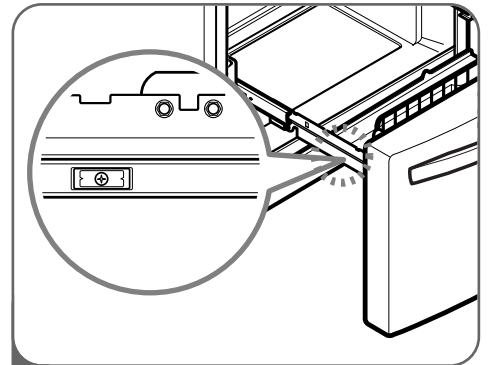
- To avoid possible injury or product or property damage, you will need two people to perform the following instructions.
- When you remove the drawer, do not hold the handle. It may come off and could cause injury.
- When laying the drawer down, be careful not to damage the floor or hurt your feet with the sharp edges on the hinge side.



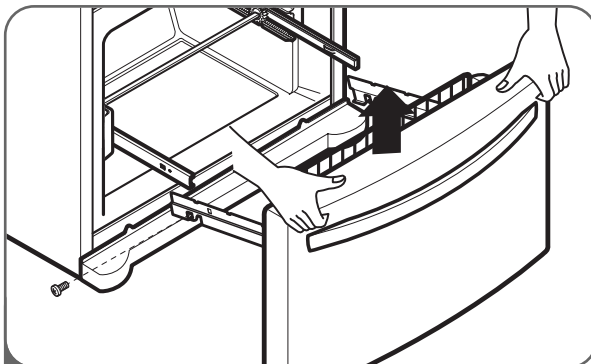
- 1 To remove the freezer drawer, pull the drawer open to full extension. Remove the lower DuraBase® basket by lifting the basket from the rail system.



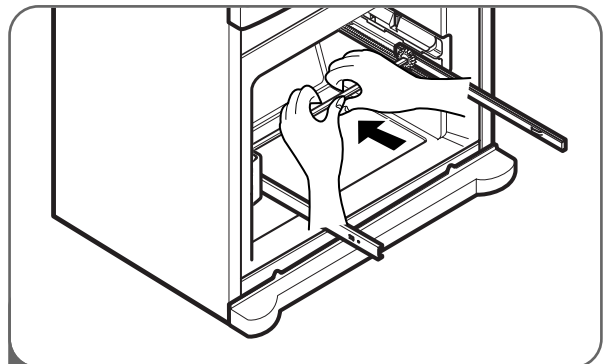
- 2 Separate the left and right rail cover



- 3 Remove the screws of the rail on both sides.



- 4 With both hands, hold both sides of the door and pull it up to separate it from the rails.



- 5 With both hands, flex the center bar enough to allow the gears on both ends to release from the track.

⚠ CAUTION: When you remove the drawer, do not hold the handle. If it may come off and it could cause personal injury.

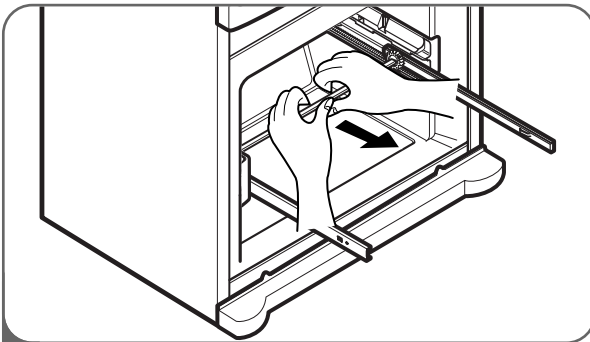
⚠ CAUTION: When laying the drawer down, be careful not to damage the floor or hurt your feet by the sharp edges on hinge side.

DOOR AND DRAWER REMOVAL (CONT.)

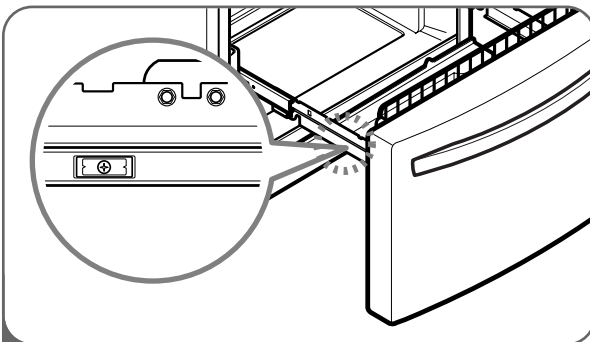
FREEZER DRAWER REINSTALLATION

⚠ CAUTION

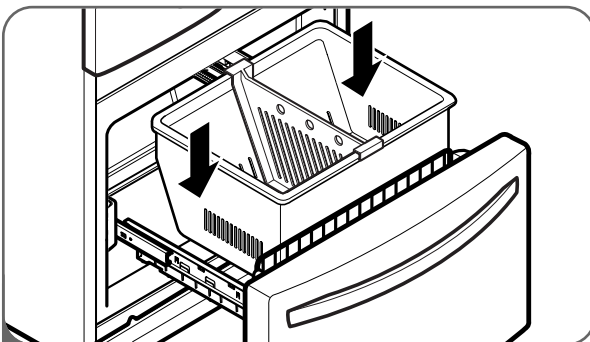
- To avoid possible injury or product or property damage, you will need two people to perform the following instructions.



- 1 To reinstall the freezer drawer, hold the center bar with both hands and pull it out until both rails are fully extended.



- 3 Lower door into final position and tighten the screws (3). Make sure you have a right rail cover for each side.

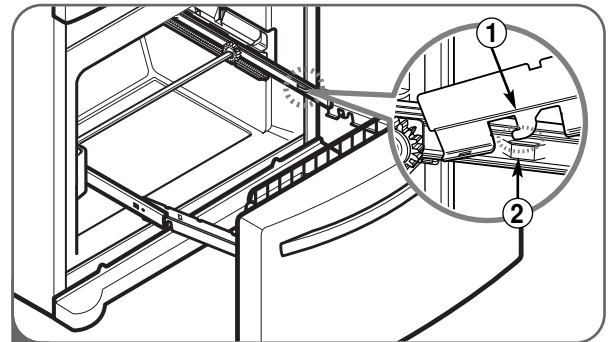


- 5 With the drawer pulled out to full extension, insert the lower basket in the rail assembly.

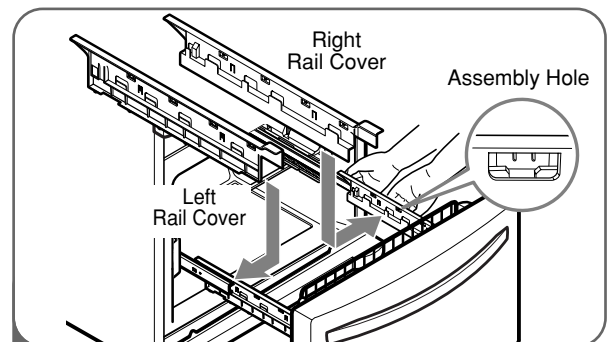
⚠ DANGER

Risk of Child Entrapment

- To prevent accidental child and pet entrapment or suffocation risk, DO NOT allow them to play inside of the freezer drawer.
- DO NOT step or sit on the freezer drawer.



- 2 Hook door supports (1) into rail tabs (2).



- 4 Align the top holes of the rail cover with the top holes of the door supports to assemble the rail covers.

⚠ WARNING: To prevent accidental child and pet entrapment or suffocation risk, DO NOT allow them to play inside of drawer.

⚠ WARNING: DO NOT step or sit down on freezer.

INSTALLATION

CONNECTING THE WATER SUPPLY

⚠ WARNING

Connect to safe drinking water supply only.

- The water pressure must be between 21 and 121 p.s.i. (1.5~8.5 kgf/cm²) on models without a water filter and between 43 and 121 p.s.i. (3~8.5 kgf/cm²) on models with a water filter.
- If water pressure does not reach 21 psi (1.5kgf/cm²) or falls below, it is necessary to purchase a separate pressure pump for normal automatic icemaker and water dispensing operation.
- It is recommended that the total length of the water feed tube does not exceed 26 ft. (8 m).
- Install the water supply line where it will not be affected by heat.

IMPORTANT: Read all directions thoroughly before you begin.

- If operating the refrigerator before installing the water connection, turn the icemaker to the OFF position to prevent operation without water.
- All installations must be in accordance with local plumbing code requirements.
- Use copper tubing and check for leaks.
- Install tubing only in areas where temperatures will remain above freezing.
- It may take up to 24 hours for the icemaker to begin producing ice.

Tools Required

- Standard screwdriver
- 7/16-in. and 1/2-in. open-end wrenches or two adjustable wrenches
- 1/4-in. nut driver
- 1/4-in. drill bit
- Hand drill or electric drill (properly grounded)

NOTE: Refrigerator dealers offer a kit with a 1/4-in. saddle-type shutoff valve, a union, and copper tubing. Before purchasing, make sure a saddle-type valve complies with local plumbing codes.

Do not use a piercing-type or 3/16-in. saddle valve which reduces water flow and clogs more easily.

NOTE: The Commonwealth of Massachusetts Plumbing Code 248CMR shall be adhered to.

Saddle valves are illegal and use is not permitted in Massachusetts. Consult with your licensed plumber.

Cold Water Supply

- The icemaker water valve contains a flow washer which is used as a water pressure regulator.
- The icemaker needs to be connected to a cold water line with water pressure between 21~121 psi (1.5~8.5 kgf/cm²) on models without a water filter and between 43 and 121 p.s.i. (3~8.5kgf/cm²) on models with a water filter.

CONNECTING THE WATER LINES

IMPORTANT: Before connecting the tubing to the water line, unplug the refrigerator or disconnect the power.

- Turn off the main water supply and open the nearest faucet to relieve pressure in the line. Opening an outside faucet may help drain water from the line in the house.
- Find a 1/2-in. vertical COLD water pipe near the refrigerator.

NOTE: A horizontal pipe will work, but the following precaution must be taken: drill on the top of the pipe, not the bottom. This will help keep water away from the drill and also keep normal sediment from collecting in the valve.

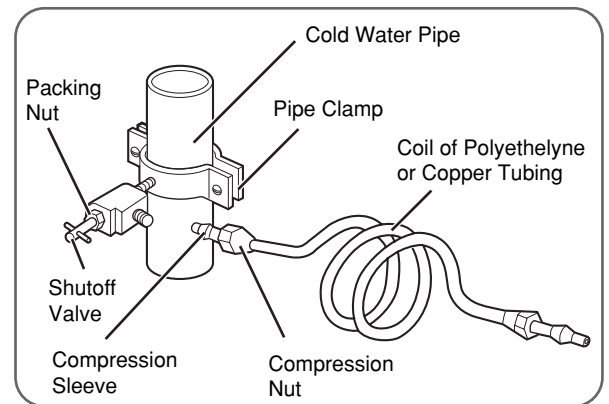
- To determine the length of copper tubing you will need, measure from the connection on the lower left rear of the refrigerator to the water pipe. Add 7 ft. (2.1 m) to allow for moving the refrigerator for cleaning. Use 1/4-in. O.D. (outside diameter) copper tubing. Be sure both ends of the copper tubing are cut square.
- Using a drill, drill a 1/4-in. hole in the cold water pipe you have selected.

INSTALLATION

CONNECTING THE WATER LINES (CONT.)

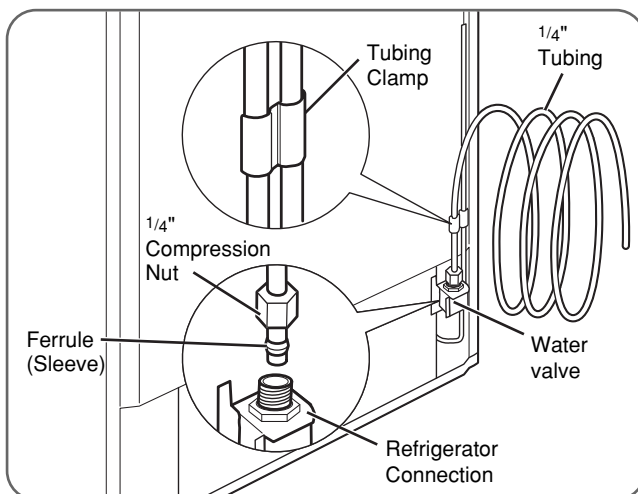
- Fasten the shutoff valve to the cold water pipe with the pipe clamp. Be sure the outlet end is solidly in the 1/4-in. drilled hole in the water pipe and the washer is under the pipe clamp. Tighten the packing nut. Tighten the pipe clamp screws carefully and evenly so the washer makes a watertight seal. Do not overtighten or you may crush the copper tubing, especially if soft (coiled) copper tubing is used. Now you are ready to connect the copper tubing.
- Slip the compression sleeve and the compression nut onto the copper tubing as shown. Insert the end of the tubing into the outlet end squarely as far as it will go. Screw the compression nut onto the outlet end with a wrench. A flare nut wrench works best, but an open-end wrench will suffice. Do not overtighten.

- Place the free end of the tubing into a container or sink, and turn on the main water supply. Flush out the tubing until the water is clear. Turn off the shutoff valve on the water pipe. Coil the copper tubing as shown below.



IMPORTANT: Before connecting the tubing to the refrigerator, be sure the refrigerator power cord is not plugged into the wall outlet.

NOTE: If your refrigerator is equipped with an internal water filter, an external in-line water filter should not be used.



- Remove the plastic flexible cap from the water valve.
- Place the compression nut and ferrule (sleeve) onto the end of the tubing as shown.

- Insert the end of the copper tubing into the connection as far as possible. While holding the tubing, tighten the fitting.

IMPORTANT: Tighten any connections that leak. Open the water at the shutoff valve.

- Plug in the refrigerator.
- Arrange the coil of copper tubing behind the refrigerator so it does not vibrate against the back of the refrigerator or against the wall.
- Check for leaks.
- Before connecting the water line to house, purge house line for 2 minute.

NOTE: It may take a few seconds for water to begin to flow as the internal tank fills and air clears from the lines.

- Push the refrigerator back to the wall.
- Set the icemaker switch to the ON position.

NOTE: The icemaker will not begin to operate until it reaches its operating temperature of 15°F (-9°C). It will then begin operation automatically.

NOTE: Throw away the first few batches of ice (about 20 pieces).

INSTALLATION

LEVELING THE REFRIGERATOR DOORS

⚠️ WARNING

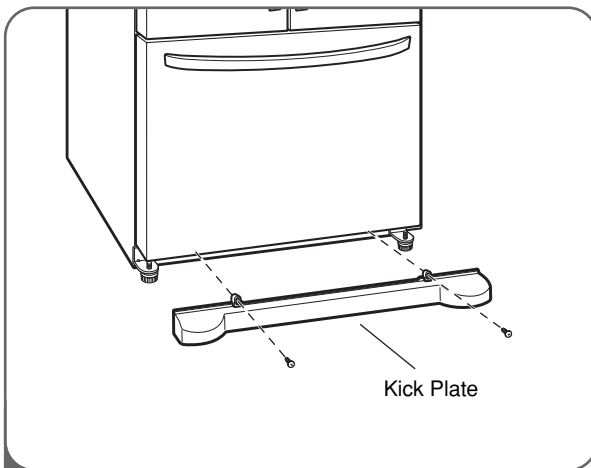
Electrical Shock Hazard

- Be careful when you work with the hinges, base grille, and stopper. You may be injured.
- Do not put hands, feet, or metal items into the air vents, base grille, or the bottom of the refrigerator. You may be injured or receive an electrical shock.

Leveling

After installing, secure the product with the LEG not to move left or right.

Your refrigerator has two front leveling legs—one on the right and one on the left. Adjust the legs to alter the tilt from front to back or side to side. If your refrigerator seems unsteady or you want the doors to close more easily, adjust the refrigerator's tilt using the following instructions:



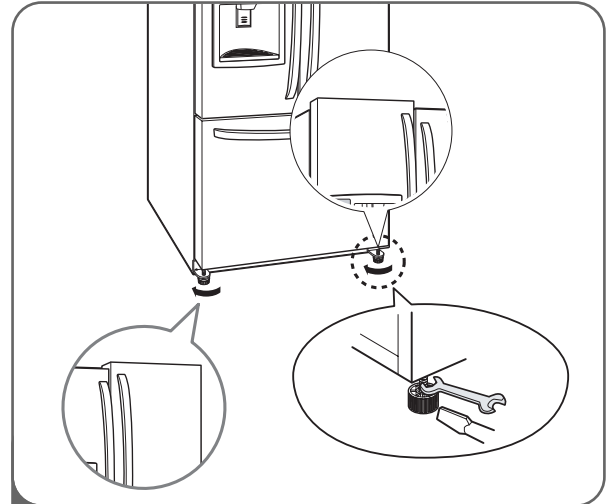
- 1 Plug the power cord into a 3-prong grounded outlet, and move the refrigerator into its final position. Remove the kick plate screws and then the kick plate.

- Open the Freezer Drawer.
- Once the drawer is open, there is sufficient clearance to remove the screws on top of the kick plate.

NOTE: To replace the kick plate, place it into position, and then insert and tighten the screws.

⚠️ CAUTION

- To avoid possible injury or product or property damage, you will need two people to perform the following instructions.



- 2 Level the refrigerator by using an 11/16 inch (18mm) wrench or a flat blade screw driver. Turn the leveling legs (CCW) to raise or (CW) to lower the height of the front of the refrigerator.

NOTE: The front of the refrigerator should be slightly higher than the back.

NOTE: If someone pushes backward against the top of the refrigerator, weight is lifted off of the leveling legs, which makes adjustment easier.

Open both doors to make sure they close easily. If not, raise the leveling legs higher by turning both clockwise the same amount.

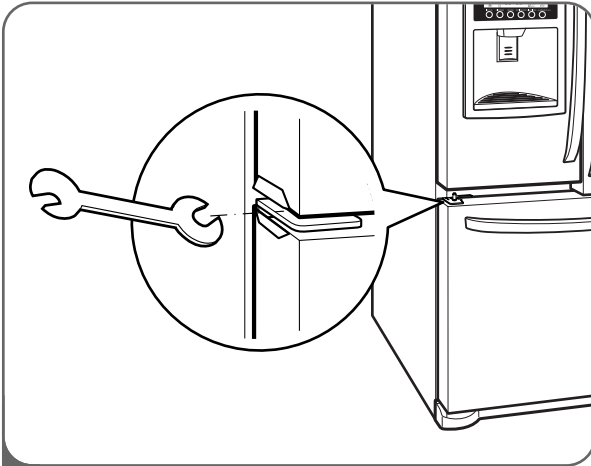
Once the refrigerator is level, replace the kick-plate.

NOTE: Your new refrigerator is uniquely designed with two fresh food doors. Either door can be independently opened or closed. You will have to exert slight pressure on the doors to close them completely.

NOTE: In order not to move the refrigerator back and forth, fix it with the 'Adjust' to the floor to install and use.

LEVELING THE REFRIGERATOR DOORS (CONT.)

DOOR ALIGNMENT



- 1 • Remove the Base Grillie.
 - Turn the leveling legs (CCW) to raise or (CW) to lower the height of the front of the refrigerator by using flat blade screw driver or 11/32" wrench.
 - Use the wrench (Included with the User Manual) to adjust the bolt in the door hinge to adjust the height. (CCW to raise or CW to lower the height.)

STARTING

Before loading your refrigerator with fresh foods:

- Remove tape and any temporary labels from your refrigerator before using. To remove any remaining adhesive residue, rub the area briskly with your thumb, or rub a small amount of liquid dish soap over the adhesive with your fingers. Wipe with warm water and dry. Do not use sharp instruments, rubbing alcohol, flammable fluids, or abrasive cleaners to remove tape or glue.

NOTE: Do not remove any warning-type labels, the model and serial number label, or the tech sheet that is taped to the back of the refrigerator.

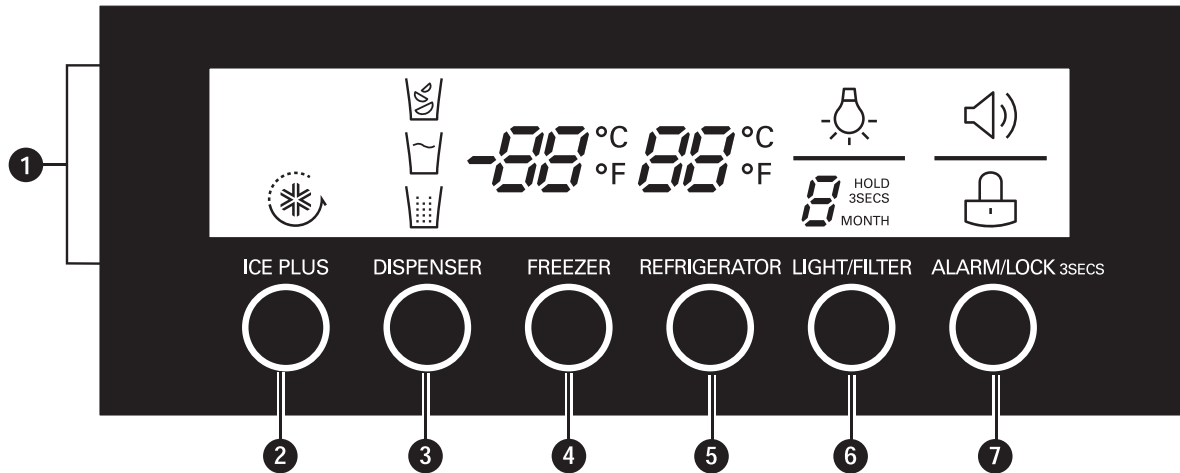
- Thoroughly clean your refrigerator and wipe off all dust that may have accumulated during shipping.

- Install accessories such as the ice cube bin, drawers, and shelves, in their proper places. They are packed together to prevent possible damage during shipment.
- Adjust the desired temperature for the refrigerator and freezer (see Adjusting the Temperature and Functions).
- Let your refrigerator run for at least 2 or 3 hours before putting food in it. Check the flow of cold air in the freezer compartment to ensure proper cooling. Your refrigerator is now ready for use.

HOW TO USE

CONTROL PANEL FEATURES

For complete details on button functions, see pages 22–24.



1 LED DISPLAY

The LCD/LED display shows the temperature settings, dispenser options, and the water filter, door alarm, and locking status messages.

2 ICE PLUS BUTTON

Press this button to turn on the ICE PLUS feature, which increases icemaking capabilities up to about 20 percent.

NOTE: When pressed simultaneously with the FREEZER button for five seconds, the Display Power-Saving Mode will toggle this function on and off.

3 DISPENSER BUTTON

The DISPENSER button is used to select Cubed Ice, Water, or Crushed Ice.

4 FREEZER BUTTON

Press the FREEZER button to adjust the temperature in the freezer compartment.

NOTE: When pressed simultaneously with the REFRIGERATOR button for more than five seconds, the temperature display will change from Fahrenheit to Celsius or vice versa. When pressed simultaneously with the ICE PLUS button for five seconds, the Display Power Saving Mode will toggle on and off.

5 REFRIGERATOR BUTTON

Press the REFRIGERATOR button to adjust the temperature in the refrigerator compartment. **NOTE:** When pressed simultaneously with the FREEZER button for more than five seconds, the temperature display will change from Fahrenheit to Celsius or vice versa.

6 LIGHT/FILTER BUTTON

The LIGHT/FILTER button controls the lamp in the dispenser and resets the water filter replacement indicator when the water filter has been replaced.

7 ALARM/LOCK BUTTON

Press this button to control the door-open alarm or to lock or unlock all the other function buttons on the control panel, including operation of the dispenser.

THE LED DISPLAY

The LED display shows the temperature settings, dispenser options, water filter, door alarm, and locking status messages.

1 ICE PLUS STATUS

When the ICE PLUS button is pressed, the display will indicate the selected function has been activated.

2 DISPENSER SELECTION INDICATORS

Shows Crushed Ice, Water, or Cubed Ice selection that will be dispensed when the push switch is pressed.

3 FREEZER TEMPERATURE

Indicates the set temperature of the freezer compartment in Celsius or Fahrenheit.

4 REFRIGERATOR TEMPERATURE

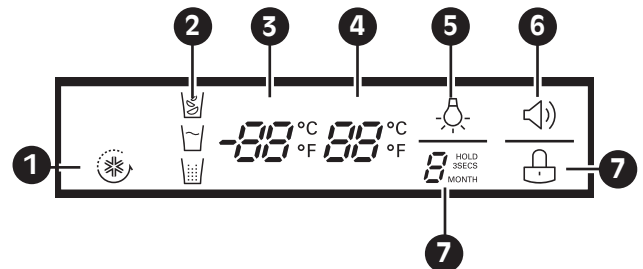
Indicates the set temperature of the refrigerator compartment in Celsius or Fahrenheit.

5 DISPENSER LIGHT INDICATOR

When the dispenser light is on, or set to turn on automatically (on some models), this indicator will appear on the display panel.

6 DOOR ALARM INDICATOR

This indicator shows that the door-open warning alarm is activated.



7 LOCK STATUS

This indicator shows the current status for the control panel functions is set to LOCK.

8 WATER FILTER STATUS

This indicator shows the current status for the water filter. See Resetting the Filter Indicator.

HOW TO USE

ADJUSTING THE TEMPERATURES AND DISPLAY

Adjust Refrigerator Temperature

To adjust the temperature in the refrigerator compartment, press the REFRIGERATOR button to cycle through the range of available settings.



NOTE: The actual inner temperature varies depending on the food status, since the indicated temperature setting is the target temperature and not the actual temperature within the refrigerator. Initially set the REFRIGERATOR CONTROL at 37°F (3°C). Leave it at this setting for 24 hours (one day) to stabilize. Then adjust the compartment temperature as illustrated above.

Display Power-Saving Mode

This function places the display into the Power-Saving Mode.



- Simultaneously press the FREEZER and ICE PLUS buttons and hold them for 5 seconds until a tone sounds.
- All LED lights will turn on and then off.
- When the Power-Saving Mode is activated, the display will remain off until the next time the door is opened. The display will also turn on when any button is pressed, and it will remain on for 20 seconds after the last door opening or button selection.
- To deactivate the Power-Saving Mode, press the FREEZER and ICE PLUS buttons simultaneously and hold them for 5 seconds until the tone sounds.

Adjust Freezer Temperature

To adjust the temperature in the freezer compartment, press the FREEZER button to cycle through the the range of available settings.



Initially set the FREEZER CONTROL at 0°F (-18°C). Leave it at this setting for 24 hours (one day) to stabilize. Then adjust the compartment temperature as illustrated above.

Temperature Display

To change the temperature display from Fahrenheit to Celsius:



- Simultaneously press and hold the FREEZER and REFRIGERATOR buttons for more than 5 seconds.
- Do the same to convert back to Fahrenheit.

OPERATING THE DISPENSER

Select Cubed Ice, Water, or Crushed Ice, and press the push switch with a glass or other container:

DISPENSING CRUSHED ICE



Press the DISPENSER button to illuminate the Crushed Ice icon.

Press the push switch with a glass or other container and crushed ice will be dispensed.



CONTROLLING THE DISPENSER LIGHT



Press the LIGHT/FILTER button to turn the dispenser light on and off.



DISPENSING WATER



Press the DISPENSER button to illuminate the Water icon. Press the push switch with a glass or other container and chilled water will be dispensed.



DISPENSING CUBED ICE



Press the DISPENSER button to illuminate the Cubed Ice icon.

Press the push switch with a glass or other container and cubed ice will be dispensed.



NOTE: Hold the glass or other container in place for a couple of seconds after dispensing ice or water to catch the last few cubes or drops. The dispenser is designed to not operate while either refrigerator door is open.

HOW TO USE

SETTING THE FUNCTIONS

Press the button for the desired function to view and select other settings.

NOTE: Some functions are only available on select models.

SETTING THE DISPENSER LOCK



Press and hold the ALARM/LOCK button for three seconds to lock the dispenser and all of the other control panel functions. Press and hold again for 3 seconds to unlock.



SETTING THE DOOR ALARM



The ALARM/LOCK button also controls the door alarm that sounds three times in 30-second intervals when a compartment door is left open for more than 60 seconds. The alarm stops sounding when the door is closed. Press the ALARM/LOCK button once to activate and deactivate the door alarm function.



NOTE: Contact your local service center if the alarm continues to sound after the doors are closed.

RESETTING THE FILTER INDICATOR



Press and hold the LIGHT/FILTER button for more than 3 seconds to reset the filter indicator after the water filter has been replaced.



NOTE: It is recommended that you replace the filter when the water filter indicator light reaches 0 or the water dispenser or icemaker noticeably decreases production.

ACTIVATING ICE PLUS



Press the ICE PLUS button once to activate the Ice Plus function. The ICE PLUS icon on the display panel will illuminate when activated. The Ice Plus function runs the freezer compartment at the coldest setting for a 24-hour period to increase icemaking up to about 20%, and then turns off automatically.



NOTE: Press the button a second time to cancel the Ice Plus function.

DIAGNOSTIC FAILURE DETECTION

The diagnostic function automatically detects problems with your refrigerator, and a diagnostic code will appear in the display.

NOTE: If a diagnostic code appears in the display during use, note the code and then call **1-800-243-0000** (24 hours per day/7 days per week) and select the option to locate an authorized servicer.

IN-DOOR ICE BIN

⚠ CAUTION

- Keep hands and tools out of the ice bin door and dispenser chute. You could break something or injure yourself.

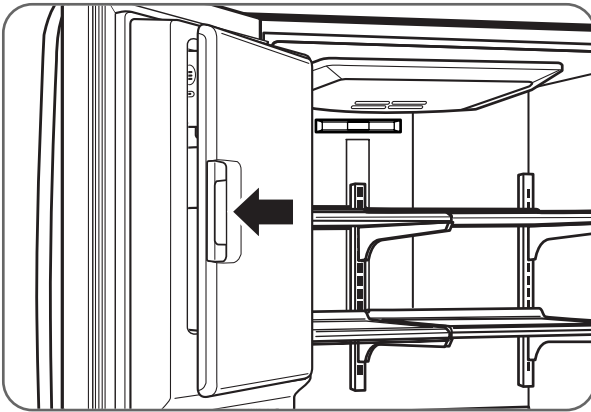
The icemaker will stop producing ice when the ice bin is full. If you need more ice, empty the ice bin into the extra ice bin in the freezer compartment so the icemaker can keep producing ice.

Shake the ice bin occasionally to level the ice in it. Sometimes the ice piles up near the icemaker, causing the icemaker to misread the amount of ice cubes and stop producing ice.

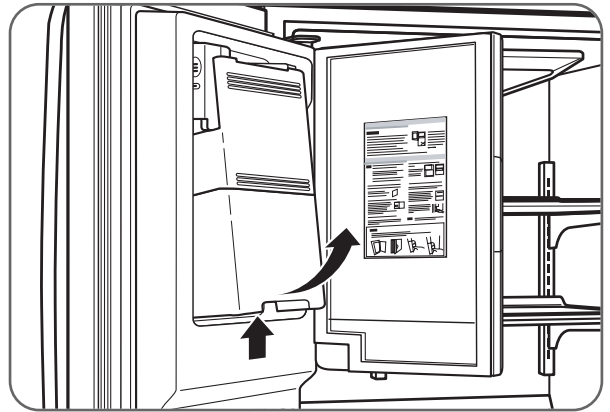
NOTE: Storing cans or other items in the ice bin may damage the icemaker.

Keep the ice bin door closed tightly. If the ice bin door is not closed tightly, the cold air in the ice bin will freeze food in the refrigerator compartment. This could also cause the icemaker to not produce ice.

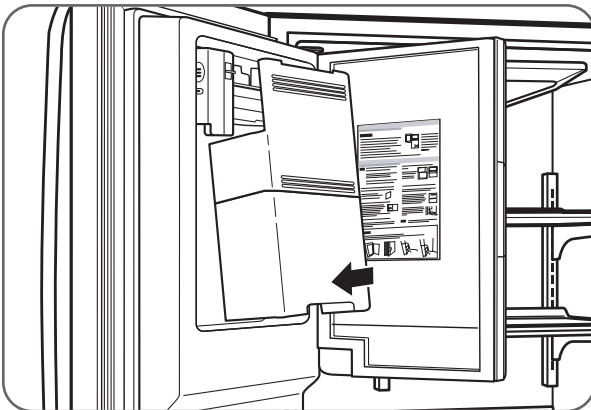
NOTE: To prevent icemaker from not working, Empty the ice bin when the icemaker is set to Off for more than a few hours.



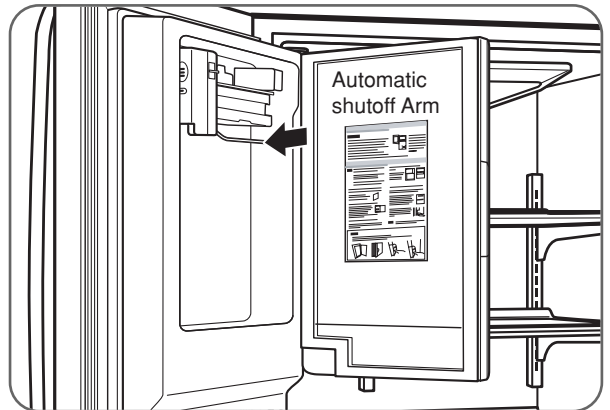
Push on the latch firmly where noted to close the ice bin door; it will make a clicking sound when it is closed completely.



To remove the in-door ice bin, grip the front handle, slightly lift the lower part, and slowly pull out the bin as shown.



To reinstall the in-door ice bin, slightly slant the bin during replacement to avoid contact with the icemaker.



Avoid touching the automatic shutoff arm when replacing the ice bin. See the label on the ice bin door for details.

HOW TO USE

AUTOMATIC ICEMAKER

Ice is made in the automatic icemaker and sent to the dispenser. The automatic icemaker can make 6 ice cubes at a time, 80–130 cubes per 24-hour period. This quantity may vary by circumstance, including freezer compartment temperature, room temperature, number of door openings, freezer load, and other operating conditions.

- It takes about 12 to 24 hours for a newly installed refrigerator to make ice.
- Icemaking stops when the ice storage bin is full.
- To turn off the automatic icemaker, set the icemaker switch to OFF (O). To turn on the automatic icemaker, set the switch to ON (I).
- The cube size will vary depending on the Water Amount Selection Setting, as well as the water pressure of the connected water line.
- You can regulate the cube size by pressing the Water Amount Selection Button.

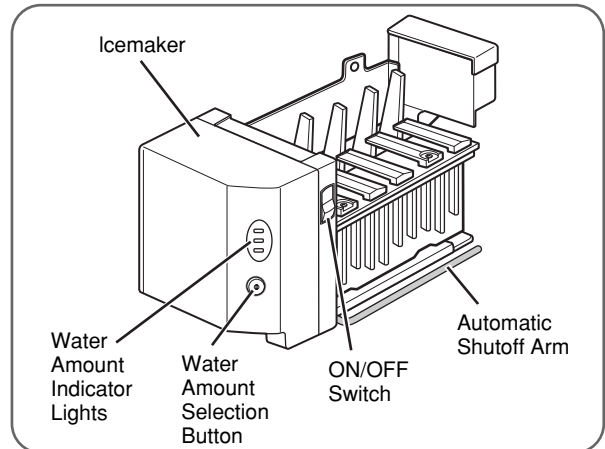
NOTE: It is normal that a noise is produced when ice drops into the ice storage bin.

- Even when the water pipe is not connected and the Ice Maker is turned on, the water valve operates. The noise is generated because the water pipe is not connected, which does not mean the icemaker is defective.

⚠ WARNING

Personal Injury Hazard

- Avoid contact with the moving parts of the ejector mechanism or with the heating element that releases the cubes.
- DO NOT place fingers or hands on the automatic icemaking mechanism while the refrigerator is plugged in.



NOTE: Raising the automatic shutoff arm does not turn off the icemaker.

⚠ CAUTION

- The first ice and water may include particles or odor from the water supply line or the water tank.
- Throw away the first few batches of ice (about 20 pieces) and purge the water line for 2 minutes after installation to eliminate air and odd tastes.
- This is also necessary if the refrigerator has not been used for a long time.
- Never store beverage cans or other foods in the ice bin for the purpose of rapid cooling. Doing so may damage the icemaker or the containers may burst.
- If discolored ice is dispensed, check the water filter and water supply. If the problem continues, contact an Authorized Service Center. Do not use the ice or water until the problem is corrected.
- Keep children away from the dispenser. Do not allow children to play in or around dispenser.
- The ice passage may also become blocked with frost if only crushed ice is used. Remove the frost that accumulates.
- Never use thin crystal glass or crockery to collect ice. Such glasses or containers may break, and glass fragments could be in the ice.
- Dispense ice into a glass before filling it with water or other beverages. Splashing may occur if ice is dispensed into a glass that already contains liquid.
- Never use a glass that is exceptionally narrow or deep. Ice may jam in the ice passage and refrigerator performance may be affected.
- Keep the glass at a proper distance from the ice outlet. A glass held too close to the outlet may prevent ice from dispensing.
- To avoid personal injury, keep hands out of the ice door and passage.
- Never remove the icemaker cover.
- If you find ice or water dispensed unexpectedly, turn off the water supply and contact an Authorized Service Center. Call **1-800-243-0000** (24 hours a day, 365 days a year) and select the option to locate an authorized servicer.

STORING FOODS

- Store fresh food in the refrigerator compartment.
- How food is frozen and thawed is an important factor in maintaining freshness and flavor.
- Do not store food that spoils easily, such as bananas and melons, at low temperatures.
- Allow hot food to cool prior to storing; placing hot food in the refrigerator could spoil other food and lead to higher energy consumption.
- When storing food, cover it with vinyl wrap or store in a container with a lid. This prevents moisture from evaporating and helps food to keep its flavor and nutrition.
- Do not block air vents with food or containers. Smooth circulation of chilled air keeps the refrigerator temperatures even.
- Do not open the doors frequently. Opening the doors allows warm air to enter the refrigerator and freezer compartments, which causes temperatures to rise.
- Never overload the door racks; overloading may push against the inner racks and prevent the doors from closing correctly.

Freezer compartment

- Do not store glass bottles in the freezer compartment; glass may break when the contents are frozen.
- Do not refreeze food that has been thawed. This causes loss of flavor and nutrition.
- Do not touch cold foods or containers, especially those made of metal, with wet hands or place glass products in the freezer compartment.
- Do not use the egg box as an ice bin in the freezer. The egg box will break easily if it freezes.

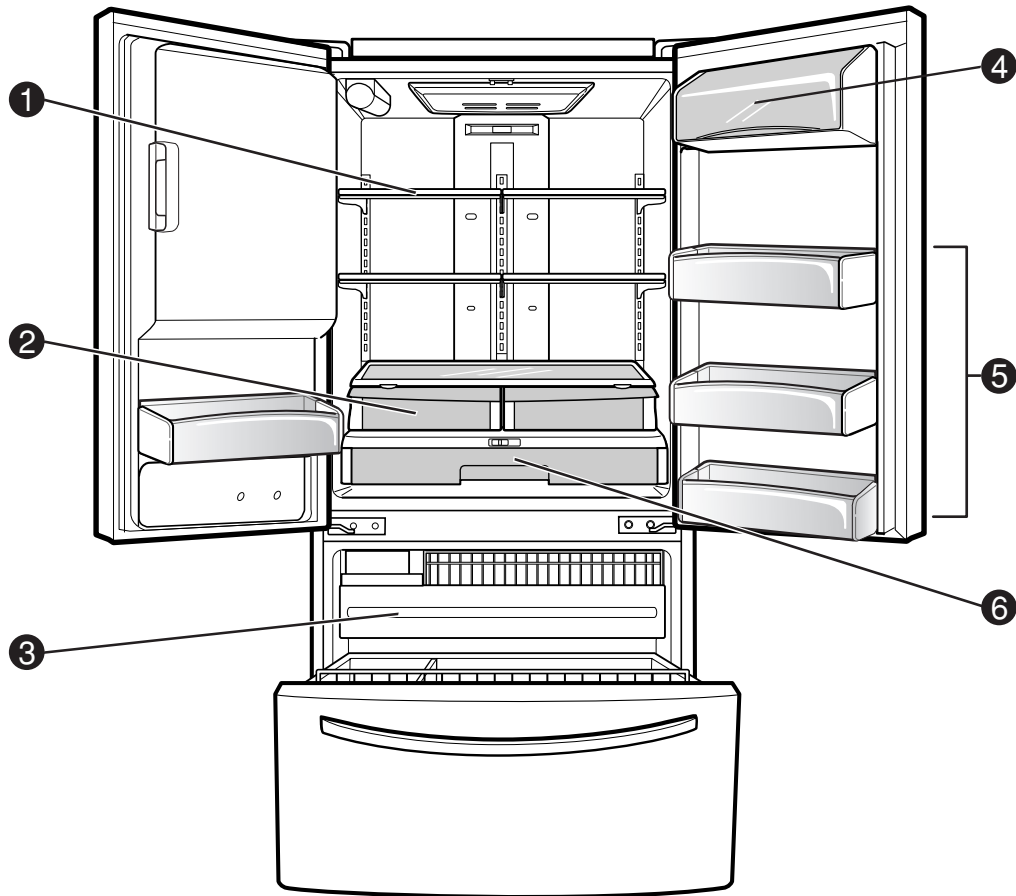
Refrigerator compartment

- Avoid placing moist food on the top refrigerator shelves; it could freeze from direct contact with chilled air.
- Always clean food prior to refrigeration. Vegetables and fruits should be washed and wiped and packed food should be wiped to prevent adjacent food from spoiling.

NOTE: If you keep the refrigerator in a hot and humid place, frequent opening of the door or storing a lot of vegetables in the refrigerator may cause condensation to form. Wipe the condensation with a clean cloth or a paper towel.

HOW TO USE

LOCATION OF FOODS



1 REFRIGERATOR COMPARTMENT SHELVES

Store larger food items, platters, and containers on the expansive refrigerator compartment shelves.

2 CRISPERS

Store vegetables or fruits with humidity control.

3 FREEZER PULL-OUT DRAWER

Store small packed frozen food, or store meat, fish, and chicken after wrapping them with thin foil. Store dry.

4 DAIRY CORNER

Store milk products such as butter and cheese.

5 MODULAR REFRIGERATOR DOOR BINS

Store small packed food or beverages such as condiments, salad dressings, baby foods, milk, or juice.

6 GLIDE 'N' SERVE

Provides storage space with a variable temperature control that keeps the compartment colder than refrigerator.

SHELF HEIGHT ADJUSTMENT

The shelves in your refrigerator are adjustable to meet your individual storage needs.

Storing similar food items together in your refrigerator and adjusting the shelves to fit different heights of items will make finding the exact item you want easier; it will also reduce the amount of time the refrigerator door is open, saving energy.

IMPORTANT: Do not clean glass shelves with warm water when they are cold. Shelves may break if exposed to sudden temperature changes or impact, such as bumping. For your protection, glass shelves are made with tempered glass, which will shatter into small, pebble-sized pieces.

NOTE: Glass shelves are heavy. Use special care when removing them to avoid dropping them.

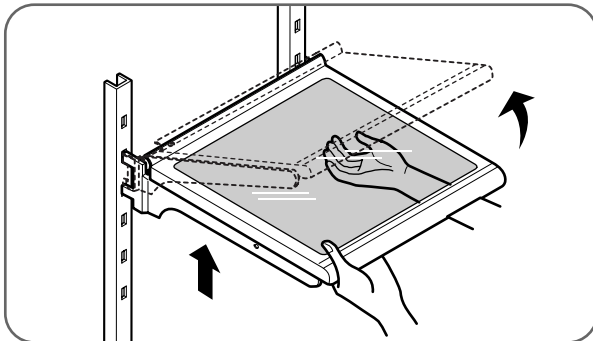
Adjusting Shelves

Remove shelves from the shipping position and place shelves in the position you want.

⚠ CAUTION

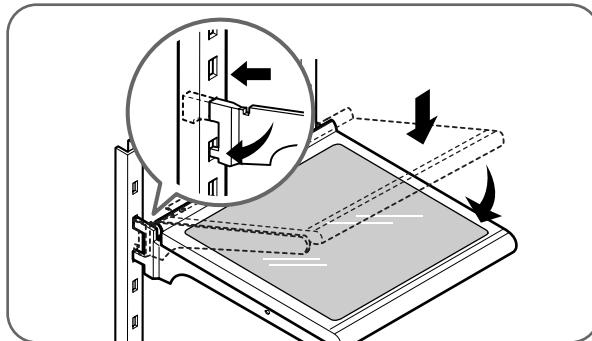
Make sure that shelves are level from one side to the other. Failure to do so may result in the shelf's falling or spilling food.

Remove Shelf



Tilt up the front of the shelf. Lift up the back and pull out the shelf.

Reinstall Shelf



Tilt up the front of the shelf and guide the shelf hooks into the slots at a desired height. Then lower the front of the shelf so that the hooks drop into the slots.

CARE AND CLEANING

REPLACING LIGHT BULBS

⚠️ WARNING

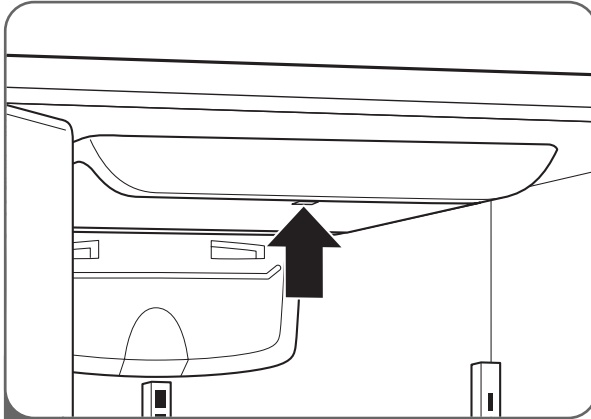
Electrical Shock Hazard

- Before replacing a burned-out light bulb, either unplug the refrigerator or turn off the power at the circuit breaker or fuse box.

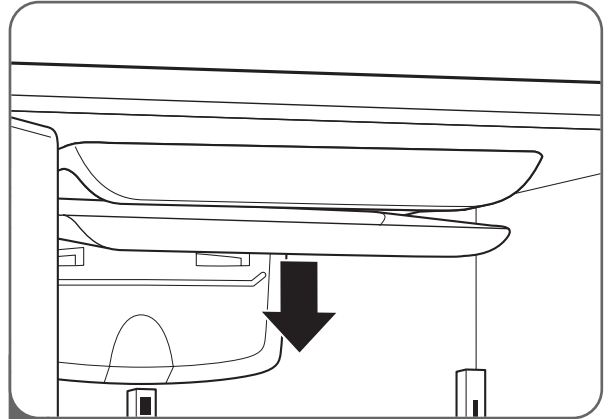
NOTE: Moving the control to the OFF position does not remove power to the light circuit.

NOTE: Not all appliance bulbs will fit your refrigerator. Be sure to replace the bulb with one of the same size, shape, and wattage.

To Change the Refrigerator Light Bulbs

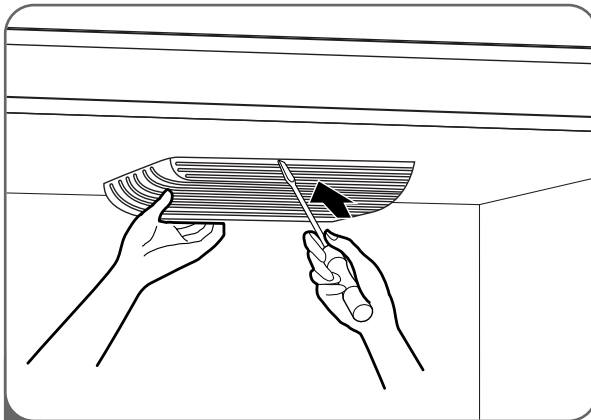


- 1 To remove the lamp cover, remove the top shelf or shelves. Use a flat instrument to gently pry the lamp cover loose in the front.

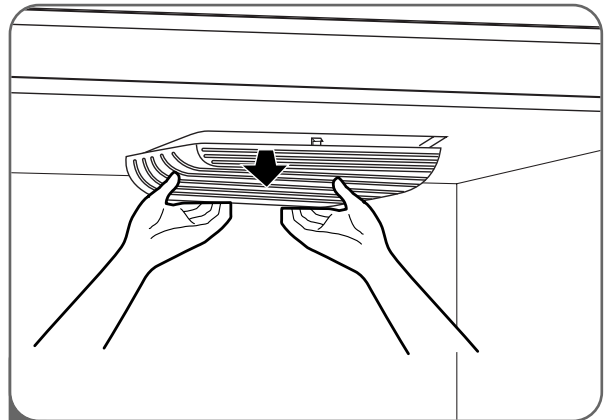


- 2 Rotate the lamp cover downward to remove the rear tabs. Make sure bulbs are cool. Turn the bulbs counterclockwise to remove. Insert new bulbs. Assemble in reverse order by engaging the rear tabs of the lamp cover first, followed by the front tabs.

To Change the Freezer Light Bulb



- 1 Use a flat instrument to gently pry the lamp cover loose in the front.
- NOTE:** It may be necessary to remove the top rack to provide access to the lamp cover.



- 2 Rotate the lamp cover downward to remove the rear tabs. Make sure the bulb is cool. Turn the bulb counterclockwise to remove. Replace with a new 60-watt appliance bulb. Insert tabs on the back of the cover into the slots in the freezer ceiling. Push the cover upward to snap the front into place.

CARE AND CLEANING

REMOVING AND REPLACING COMPONENTS

NOTE: When reinstalling components, reverse the order of steps for removal. To prevent damage, never use excessive force when removing or reinstalling components.

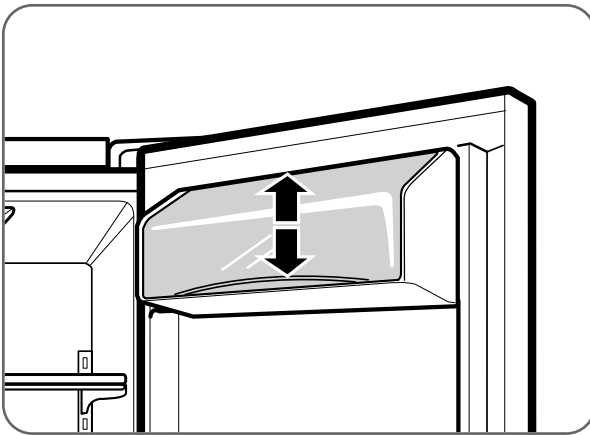
⚠ CAUTION

• Personal injury can occur if the door bins are not firmly assembled.

NOTE: DO NOT adjust a loaded bin.

• DO NOT allow children to play with baskets. The sharp corners on the baskets could cause injury.

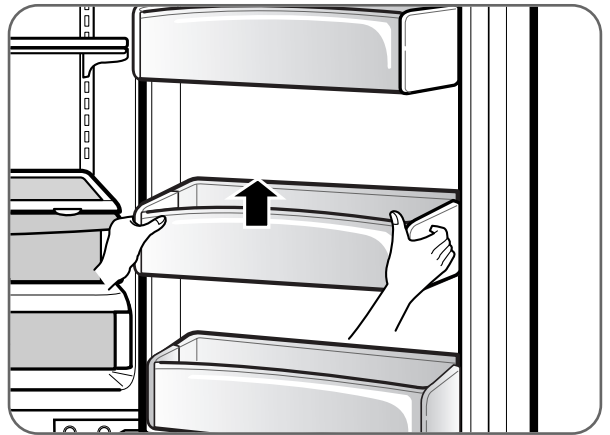
Dairy Bin



To remove the dairy bin, simply lift it and pull straight out. To replace the dairy bin, slide it into place and push down until it stops.

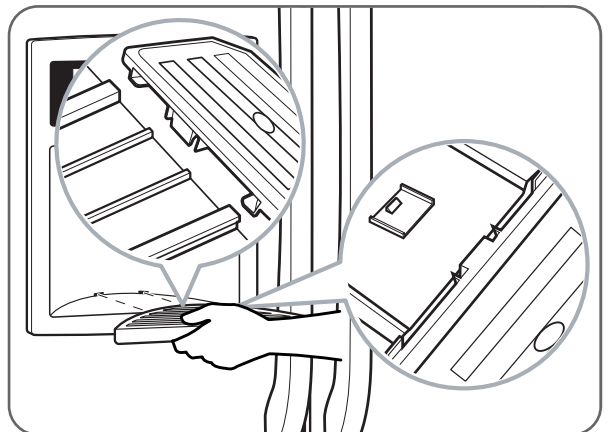
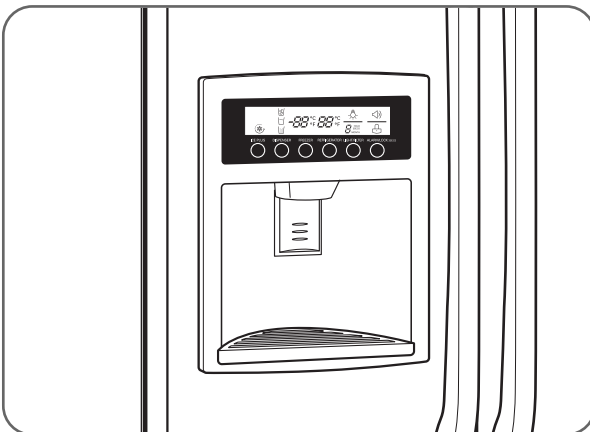
NOTE: The dairy bin will only fit in the top space on the right-hand door.

Modular Door Bin



The door bins are removable for easy cleaning and adjusting. Simply lift the bin and pull it straight out to remove it. To replace the bin, slide it in above the desired support button and push down until it stops.

Dispenser Drip Tray

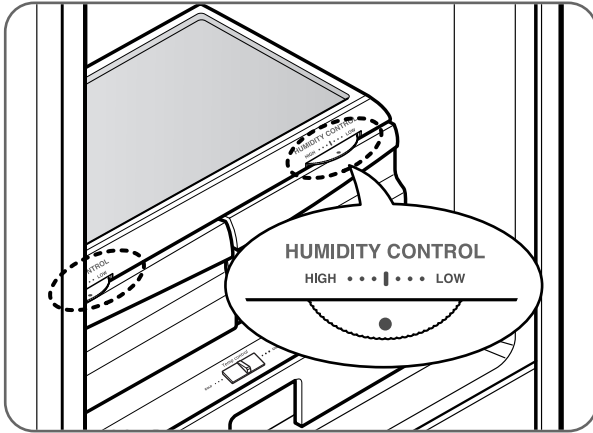


The dispenser drip tray has no self-draining function. It should be cleaned regularly. Remove the cover by pressing and pulling the tray. Dry it with a cloth. To reinstall the tray, slightly tilt the front of the tray and snap the ribs into the holes.

CARE AND CLEANING

REMOVING AND REPLACING COMPONENTS (CONT.)

Crisper humidity control

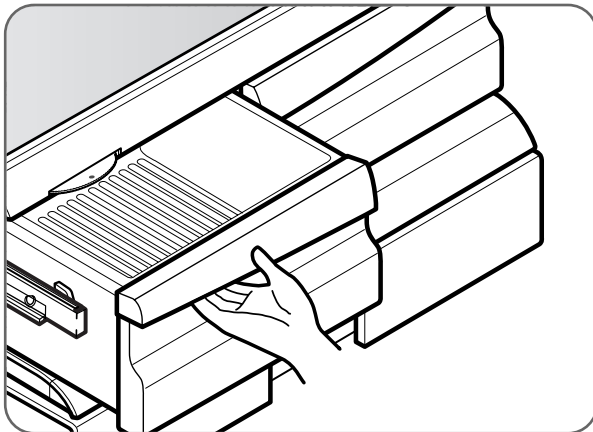


You can control the amount of humidity in the moisture-sealed crispers. Store vegetables or fruits requiring more or less humidity in separate crispers. Adjust the control to any setting between HIGH and LOW.

- LOW lets moist air out of the crisper for best storage of fruits.
- HIGH keeps moist air in the crisper for best storage of fresh, leafy vegetables.

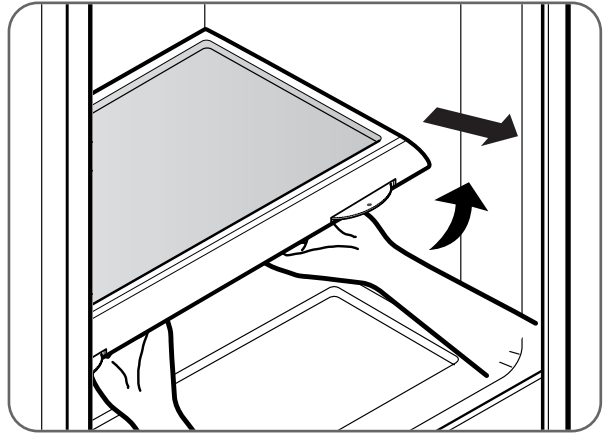
CAUTION : The glass shelf over the crisper is not firmly secured. Be careful when tilting.

Removing crisper



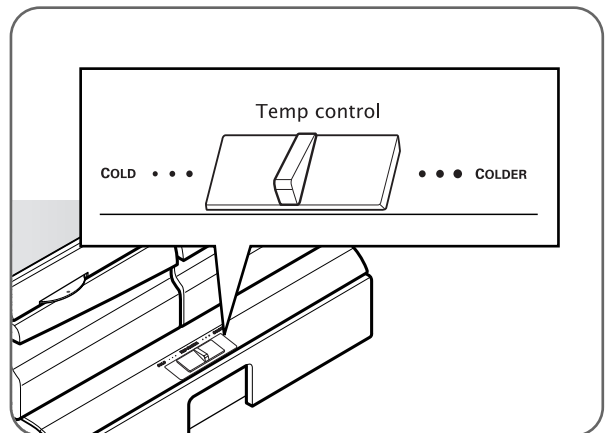
- To remove, pull the drawer out to full extension.
- Lift the front of the crisper up, then pull it straight out.
- To install, slightly tilt up the front and insert the drawer into the frame and push it back into place.

To remove the glass



- Lift up the glass under the crisper cover.
- Pull the glass up and out.

Glide'N'Serve



The Glide'N'Serve provides storage space with a variable temperature control that keeps the compartment colder than refrigerator.

This drawer can be used for large party trays, deli items, or beverages. (but this drawer can't be used for vegetable.)

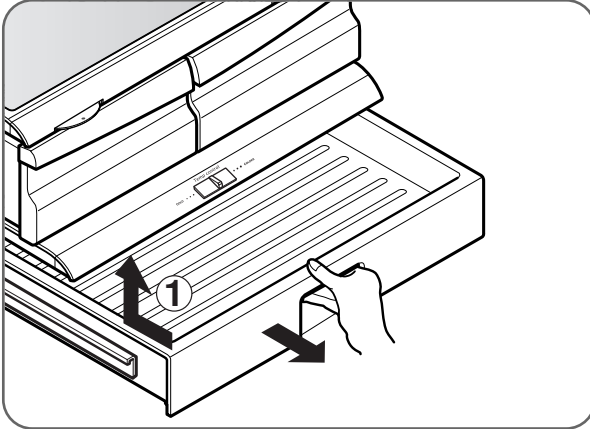
Controls

The control regulates the air temperature in the drawer. Set control level to COLD (print on surface) to provide normal refrigerator temperature. Use the COLDER (print on surface) setting for meats or other deli items.

NOTE: Cold air directed to the Glide'N'Serve can decrease refrigerator temperature. Refrigerator control may need to be adjusted.

REMOVING AND REPLACING COMPONENTS (CONT.)

To replace Glide'N'Serve



- To remove, pull the drawer out to full extension.
- Lift the front of the drawer up, then pull it straight out.
- To install, slightly tilt up the front and insert the drawer into the frame and push it back into place.

⚠ CAUTION

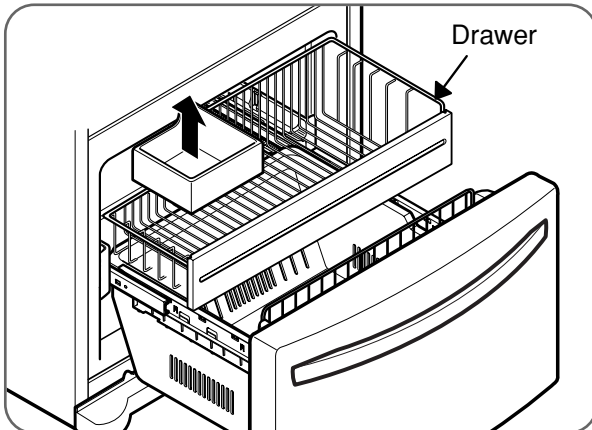
- Pinch hazard! Keep hands and feet clear of the bottom of the door when opening and closing.

⚠ WARNING

Child Entrapment Hazard

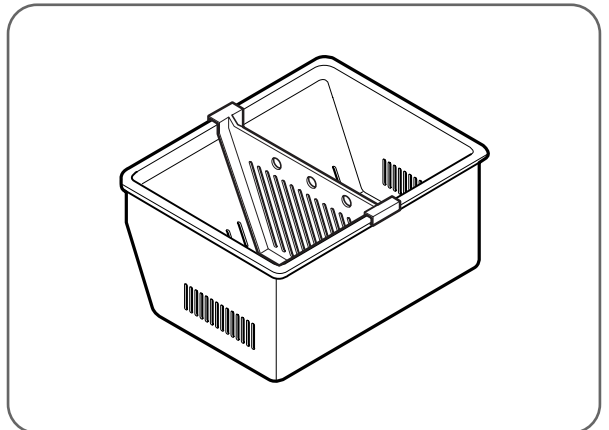
- If the DuraBase divider is removed, there is enough open space for children or pets to crawl inside. To prevent accidental child and pet entrapment or suffocation risk, DO NOT allow them to play inside of drawer.

Ice Bin



To separate the ice bin, pull out the drawer to full extension. Gently lift and pull out the ice bin. To reinstall, simply set the ice bin in its correct position.

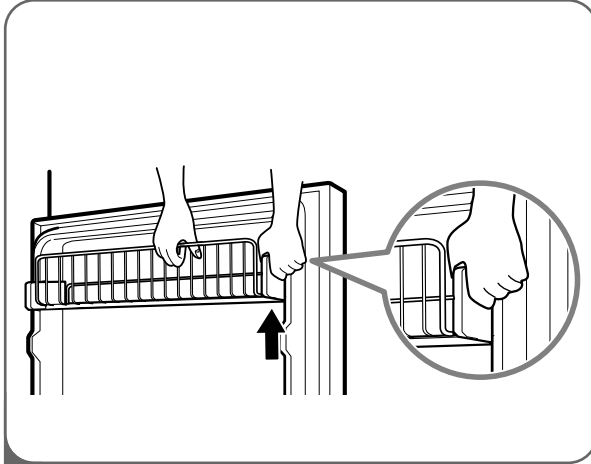
DuraBase® Divider



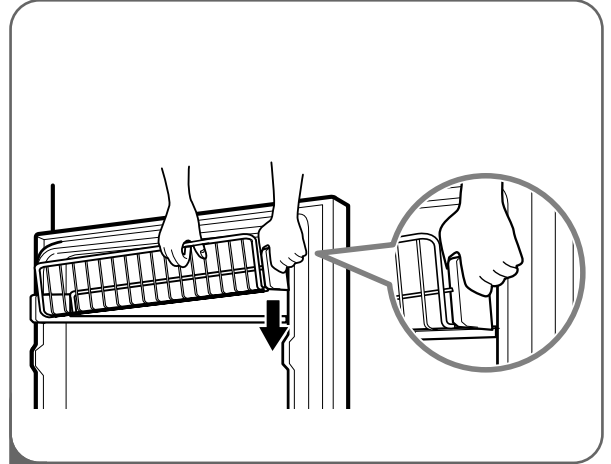
CARE AND CLEANING

REMOVING AND REPLACING COMPONENTS (CONT.)

Tilt-Out Door Basket



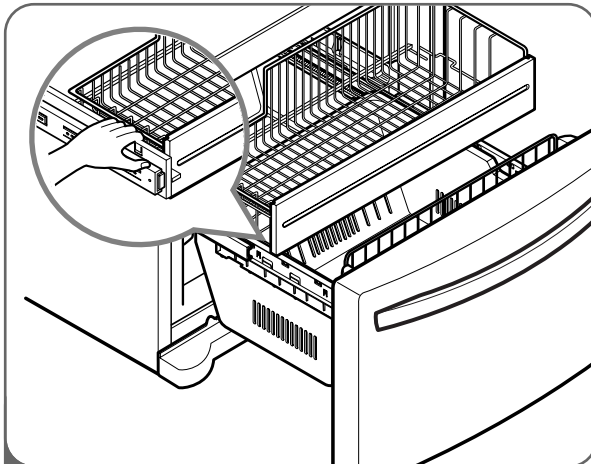
- 1 To remove the tilt-out door basket, press in on the end bracket, then pull up on the end of the basket to remove.



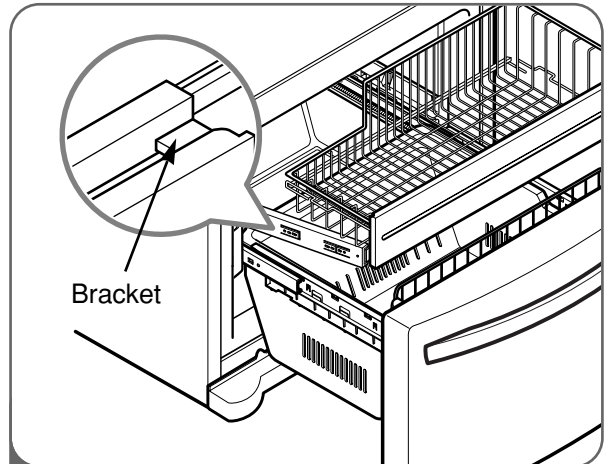
- 2 To replace the tilt-out door basket, insert the bracket into one side and hook one end of the basket into the bracket. Next, hook the other basket end into the other bracket and push the bracket downward into place.

NOTE: Be sure the back of the basket is positioned behind the retention tab on each bracket.

Pull-Out Drawer



- 1 To remove the drawer, push the tabs located on the front inside surface of each rail. Next, gently lift the rear left and right sides of the drawer and pull it out.



- 2 To reinstall, pull out both rails to full extension. Insert the end of rib in the bracket at left and right. Making sure that the guides at the front are lined up properly, gently push down on both sides.

CLEANING THE REFRIGERATOR

WARNING

Explosion Hazard

- Use nonflammable cleaner.
- Failure to do so can result in death, explosion, or fire.

Both the refrigerator and freezer sections defrost automatically. However, clean both sections about once a month to prevent odors. Wipe up spills immediately.

- Unplug the refrigerator.
- Remove all removable parts, such as shelves and crispers.
- Use a clean sponge or soft cloth and a mild detergent in warm water. Do not use abrasive or harsh cleaners.
- Hand wash, rinse, and thoroughly dry all surfaces.
- Plug in the refrigerator.

NOTE: Window sprays, abrasive cleaners, or flammable fluids can scratch or damage plastic covers or panels.

Cleaning the Exterior

For models with a stainless steel exterior, use a commercially available stainless steel cleaner in accordance with the manufacturer's instructions.

You may also use a clean sponge or soft cloth and a mild detergent in warm water. Do not use abrasive or harsh cleaners. Dry thoroughly with a soft cloth.

IMPORTANT: Do not use cleaning waxes, concentrated detergents, or cleaners containing petroleum on plastic refrigerator parts such as door liners or gaskets.

Care and Cleaning of the Interior

NOTE: Allow the freezer to warm so the cleaning cloth will not stick.

To help remove odors, you can wash the inside of the refrigerator with a mixture of baking soda and warm water. Mix 2 tbsp. baking soda to 1 qt. of water (26 g soda to 1 L of water). Be sure the baking soda dissolves completely so it does not scratch the surfaces of the refrigerator.

IMPORTANT: Do not use a spray nozzle to clean the interior.

GENERAL INFORMATION

Storage

During average-length vacations, you will probably find it best to leave the refrigerator in operation. Place freezable items in the freezer for longer life.

When you plan to store the refrigerator, remove all food, disconnect the power cord, clean the interior thoroughly, and block the doors open to prevent mold and mildew. Be certain the stored refrigerator does not present a child entrapment danger.

Moving

Unload the refrigerator to move it. (This is probably not necessary when pulling it out to clean behind it.) Be sure to let the refrigerator warm up to room temperature, and dry the inside before closing the doors to pack it for moving. To avoid damaging the height-adjusting screws, turn them all the way into the base.

Power Failure

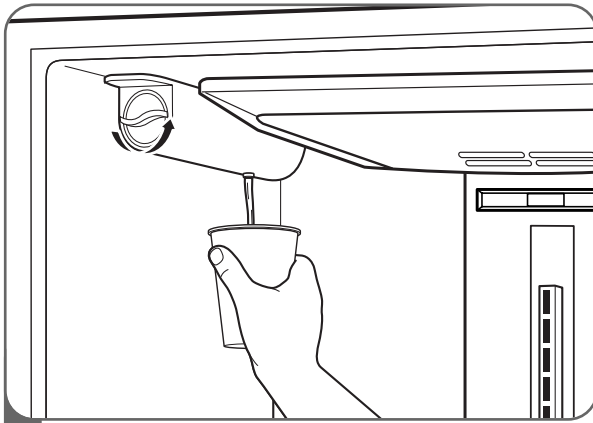
Most power failures that are corrected within an hour or two will not affect your refrigerator temperatures. However, you should minimize the number of door openings while the power is off.

Water may drip from the ice bin during a power outage. To prevent this, remove the ice bin, discard all of the ice, towel dry, and replace.

CARE AND CLEANING

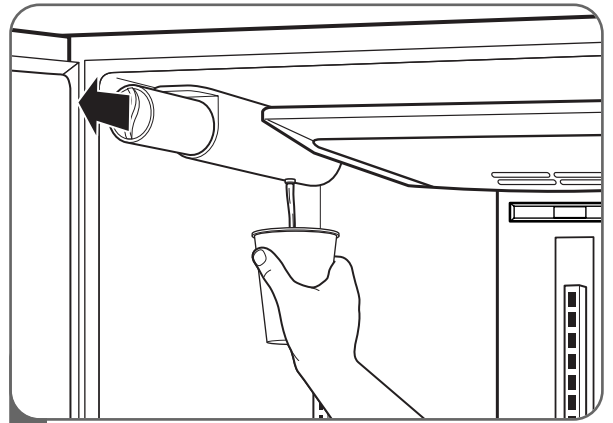
REPLACING THE WATER FILTER

It is recommended that you replace the filter when the water filter indicator reaches **0** or the water dispenser or icemaker noticeably decreases production.

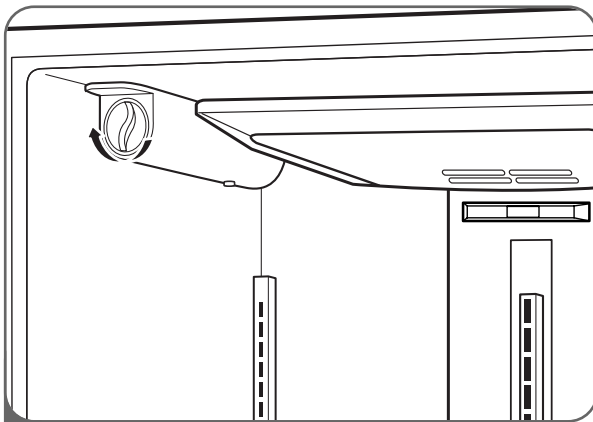


1 Rotate the knob of the old cartridge counterclockwise. When the cartridge is released, you will feel it click out of place.

NOTE: Replacing the filter causes a small amount of water (around 1 oz. or 25 cc) to drain. Place a cup under the filter hole to contain it.



2 Remove the old cartridge. Take the new cartridge out of its packaging, and remove the protective cover from the o-rings. Hold the cartridge handle in its vertical position, and firmly push the new filter cartridge into place until it stops.



1 Use the handle to twist the cartridge clockwise about one turn, until the handle is in a horizontal position. You will feel the filter click into place.

NOTE: If the filter will not turn from side to side, it isn't fully inserted.

After replacing the filter, dispense for 2 minutes from the water dispenser to purge the water system. Check the filter for leaks.



When the water filter indicator displays the message **0 Filter Month, Hold 3 Seconds**, reset the water filter status display and indicator light by pressing and holding the LIGHT/FILTER button for more than 3 seconds.

To purchase replacement water filter cartridges, visit your local appliance dealer or parts distributor. You can also call 1-877-714-7486.

The replacement water filter cartridge's part number is **5231JA2006A**.

TROUBLESHOOTING

BEFORE CALLING FOR SERVICE

Before calling for service, review this list. It may save you both time and expense. This list includes common occurrences that are not the result of defective workmanship or materials in this appliance.

Problem	Possible Causes	Solutions
Refrigerator compressor does not run.	<ul style="list-style-type: none"> • Refrigerator control is off. • Refrigerator is in defrost cycle. • Plug at the wall outlet is disconnected. • Power outage. Check house lights. 	<ul style="list-style-type: none"> • Set the refrigerator control. • This is normal for a fully automatic defrosting refrigerator. The defrost cycle occurs periodically. • Make sure the plug is tightly pushed into the outlet. • Call the local electric company.
Refrigerator runs too frequently or too long.	<ul style="list-style-type: none"> • Refrigerator is larger than the previous one you owned. • The room or the outdoor weather is hot. • Refrigerator was recently disconnected for a while. • Large amounts of warm or hot food may have been stored recently. • Doors are opened too frequently or for too long. • Refrigerator or freezer door may be slightly open. • Refrigerator control is set too cold. • Refrigerator or freezer gasket is dirty, worn, cracked, or poorly fitted. 	<ul style="list-style-type: none"> • This is normal. Larger, more efficient units run longer. • It is normal for the refrigerator to work longer under these conditions. • It takes a few hours for the refrigerator to reach cooling temperatures. • Warm food will cause the refrigerator to run longer until the desired temperature is reached. • Warm air entering the refrigerator causes it to run more. Open the door less often. • Make sure the refrigerator is level. Keep food and containers from blocking the door. • Adjust the refrigerator control to a warmer setting until the refrigerator temperature is satisfactory. • Clean or change the gasket. Leaks in the door seal will cause the refrigerator to run longer in order to maintain desired temperatures.
Refrigerator compressor cycles on and off.	<ul style="list-style-type: none"> • The thermostat is keeping the refrigerator at a constant temperature. 	<ul style="list-style-type: none"> • This is normal. The refrigerator cycles on and off to keep the temperature constant.
Temperature in the freezer is too cold, but the refrigerator temperature is satisfactory.	<ul style="list-style-type: none"> • Freezer control is set too cold. 	<ul style="list-style-type: none"> • Adjust the freezer control to a warmer setting until the freezer temperature is satisfactory.
Temperature in the refrigerator is too cold, but the freezer temperature is satisfactory.	<ul style="list-style-type: none"> • Refrigerator control is set too cold. 	<ul style="list-style-type: none"> • Adjust the refrigerator control to a warmer setting.

TROUBLESHOOTING

BEFORE CALLING FOR SERVICE (CONT.)

Problem	Possible Causes	Solutions
Food stored in refrigerator drawers freezes.	<ul style="list-style-type: none"> • Refrigerator control is set too cold. 	<ul style="list-style-type: none"> • Adjust the refrigerator to a warmer setting.
Temperatures in the refrigerator or freezer are too warm.	<ul style="list-style-type: none"> • Freezer or refrigerator control is set too warm. • Doors are opened too frequently or for too long. • Door is slightly open. • Large amounts of warm or hot food may have been stored recently. • Refrigerator has recently been disconnected for a period of time. 	<ul style="list-style-type: none"> • Adjust the freezer or refrigerator control to a colder setting until the freezer or refrigerator temperature is satisfactory. • Warm air enters the refrigerator/freezer whenever the door is opened. Open the door less often. • Close the door completely. • Wait until the refrigerator or freezer has had a chance to cool food to the set temperature. • It takes a few hours for the refrigerator to reach the set temperatures.
Temperature in the refrigerator is too warm, but the freezer temperature is satisfactory.	<ul style="list-style-type: none"> • Refrigerator control is set too warm. 	<ul style="list-style-type: none"> • Adjust the refrigerator control to a colder setting.
Louder sound levels when compressor comes on.	<ul style="list-style-type: none"> • Refrigerator operates at higher pressures during the start of the ON cycle. 	<ul style="list-style-type: none"> • This is normal.
Vibrating or rattling noise.	<ul style="list-style-type: none"> • Floor is uneven or weak. The refrigerator rocks on the floor when it is moved slightly. • Items placed on the top of the refrigerator are vibrating. • Dishes are vibrating on the shelves in the refrigerator. • The refrigerator is touching the wall or cabinets. 	<ul style="list-style-type: none"> • Be sure floor is level and solid and can adequately support the refrigerator. • Remove items. • It is normal for dishes to vibrate slightly. Move dishes slightly. Make sure refrigerator is level and firmly set on floor. • Move the refrigerator so that it does not touch the wall.
Moisture collects on the inside walls of the refrigerator.	<ul style="list-style-type: none"> • The weather is hot and humid which increases the rate of frost buildup and internal sweating. • Door is slightly open. • Door is opened too often or for too long. 	<ul style="list-style-type: none"> • This is normal. • Close the door. • Open the door less often.
Moisture forms on the outside of the refrigerator or between the doors.	<ul style="list-style-type: none"> • Weather is humid. • Door is slightly open. 	<ul style="list-style-type: none"> • This is normal in humid weather. When humidity is lower, the moisture should disappear. • Close the door completely.

TROUBLESHOOTING

BEFORE CALLING FOR SERVICE (CONT.)

Problem	Possible Causes	Solutions
Moisture forms on the dispenser.	<ul style="list-style-type: none"> Moisture may form when the temperature or humidity are high. 	<ul style="list-style-type: none"> Wipe off the moisture.
Odors in the refrigerator.	<ul style="list-style-type: none"> Interior needs to be cleaned. Food with strong odor is in the refrigerator. Some containers and wrapping materials produce odors. 	<ul style="list-style-type: none"> Clean interior with sponge, warm water, and baking soda. Be sure the soda is completely dissolved so it will not act as an abrasive compound. Cover food completely. Use a different container or brand of wrapping materials.
The door(s) will not close.	<ul style="list-style-type: none"> Food package is keeping the door open. Door was closed too hard, causing other door to open slightly. Refrigerator is not level. It rocks on the floor when it is moved slightly. Floor is uneven or weak. The refrigerator rocks on the floor when it is moved slightly. Refrigerator is touching the wall or the cabinets. 	<ul style="list-style-type: none"> Move the packages that keep the door from closing. Gently close both doors. Adjust the height-adjusting screw. Be sure the floor is level and can adequately support the refrigerator. Contact a carpenter to correct sagging or sloping floor. Move the refrigerator.
Drawers are difficult to move.	<ul style="list-style-type: none"> Food is touching the shelf on top of the drawer. The drawer track is dirty. 	<ul style="list-style-type: none"> Keep less food in the drawer. Clean the drawer and the track.
The dispenser will not dispense water.	<ul style="list-style-type: none"> The household water-line valve is not open. The refrigerator or freezer door is not closed. When a installed tube is bent. When a filter is old. 	<ul style="list-style-type: none"> Open the household water-line valve. Be sure both doors are closed. Check the installed tube. Replace with a new filter.
Water has an odd taste and/or odor.	<ul style="list-style-type: none"> The water has been in the tank for too long. The unit is not properly connected to cold water line. When a filter is old. 	<ul style="list-style-type: none"> Dispense for 2 minutes and discard to freshen the supply. Dispense and discard for an additional 2 minutes to rinse the tank completely. Connect the unit to a cold water line that supplies water to the kitchen faucet. Replace with a new filter.

TROUBLESHOOTING

BEFORE CALLING FOR SERVICE (CONT.)

Problem	Possible Causes	Solutions
<p>The dispenser will not dispense ice.</p>	<ul style="list-style-type: none"> • The ice storage bin is empty. • The household water line valve is not open. • The refrigerator or freezer door is not closed. • Ice has melted and frozen around the auger due to infrequent use, temperature fluctuations, and/or power outages. • Ice cubes are jammed between the icemaker arm and the back of the bin. • Ice cubes are frozen together. • Ice cubes that have been purchased or made in some other way have been used in the dispenser. • Water input tube is bent. • Filter is old or needs changing 	<ul style="list-style-type: none"> • When the first supply of ice is dropped into the bin, the dispenser should operate. • Open the household water line valve and allow sufficient time for ice to be made. When ice is made, the dispenser should operate. • Be sure both of the doors are closed. • Remove the ice storage bin and thaw the contents. Clean the bin, wipe it dry, and replace it in its proper position. When new ice is made, the dispenser should operate. • Remove the ice cubes that are jamming the dispenser. • Use the dispenser often to prevent the cubes from freezing together. • Only the ice cubes made by the icemaker should be used with the dispenser. • Check the installed tube • Replace with a new filter.
<p>Sound of ice dropping.</p>	<ul style="list-style-type: none"> • A batch of ice has been released into the ice bin. 	<ul style="list-style-type: none"> • This sound is made when automatically made ice is dropped into the ice storage bin. The volume may vary according to the location of the refrigerator.
<p>Sound of water trickling.</p>	<ul style="list-style-type: none"> • The icemaker is being supplied with water. 	<ul style="list-style-type: none"> • This sound is normally made when the icemaker is supplied with water after dropping the automatically made ice. • If this sound lasts more than 10 seconds, check for a leak.
<p>Other</p>	<p>Please thoroughly read the Automatic Icemaker and Operating the Dispenser sections in this manual.</p>	

SPECIFICATIONS

KEY DIMENSIONS AND SPECIFICATIONS

The appearance and specifications listed in this guide may vary due to constant product improvements.

Bottom-Freezer Refrigerator Models LFX25961	
Description	French Door Refrigerator
Electrical Requirements	115 VAC @ 60 Hz
Min. / Max. Water Pressure	21~121 PSI (1.5~8.5 kgf/cm ²)
Dimensions	35 3/4" (W) X 34 1/4" (D) X 69 3/4" (H), 46 1/2" (D w/ door open) 908 mm (W) X 870 mm (D) X 1772 mm (H), 1181 mm (D w/ door open)
Net Weight	324 lb. (147 kg)
Refrigerator Storage Capacity	17.6 cu. ft.
Freezer Storage Capacity	7.1 cu. ft.

LG ELECTRONICS, INC.

LG REFRIGERATOR LIMITED WARRANTY - USA

Should your LG Refrigerator ("Product") fail due to a defect in materials or workmanship under normal home use, during the warranty period set forth below, LG will at its option repair or replace the product. This limited warranty is valid only to the original retail purchaser of the product and applies only when purchased and used within the United States including U.S. Territories. Proof of original retail purchase is required to obtain warranty service under this limited warranty.

WARRANTY PERIOD		
Refrigerator	Sealed System (Compressor, Condenser, and Evaporator only)	
One (1) year from the date of original retail purchase	One (1) year from the date of original retail purchase	Seven (7) years from the date of original retail purchase
Parts and Labor (internal/functional parts only)	Parts and Labor	Parts only (Consumer will be charged for labor)

- ▶ Replacement products and parts are warranted for the remaining portion of the original warranty period or ninety (90) days, whichever is greater.
- ▶ Replacement products and parts may be new or remanufactured.

THIS WARRANTY IS IN LIEU OF ANY OTHER WARRANTY, EXPRESS OR IMPLIED, INCLUDING WITHOUT LIMITATION, ANY WARRANTY OF MERCHANTABILITY OR FITNESS FOR A PARTICULAR PURPOSE. TO THE EXTENT ANY IMPLIED WARRANTY IS REQUIRED BY LAW, IT IS LIMITED IN DURATION TO THE EXPRESS WARRANTY PERIOD ABOVE. NEITHER THE MANUFACTURER NOR ITS U.S. DISTRIBUTOR SHALL BE LIABLE FOR ANY INCIDENTAL, CONSEQUENTIAL, INDIRECT, SPECIAL, OR PUNITIVE DAMAGES OF ANY NATURE, INCLUDING WITHOUT LIMITATION, LOST REVENUES OR PROFITS, OR ANY OTHER DAMAGE WHETHER BASED IN CONTRACT, TORT, OR OTHERWISE. Some states do not allow the exclusion or limitation of incidental or consequential damages or limitations on how long an implied warranty lasts, so the above exclusion or limitation may not apply to you. This warranty gives you specific legal rights and you may also have other rights that vary from state to state.

THIS LIMITED WARRANTY DOES NOT COVER:

1. Service trips to deliver, pick up, install, or repair the product; instruct the customer on operation of the product; repair or replace fuses or correct wiring or plumbing, or correction of unauthorized repairs/installation.
2. Failure of product to perform during power failures and interruptions or inadequate electrical service.
3. Damage caused by leaky or broken water pipes, frozen water pipes, restricted drain lines, inadequate or interrupted water supply or inadequate supply of air.
4. Damage resulting from operating the product in a corrosive atmosphere or contrary to the instructions outlined in the product owner's manual.
5. Damage to the product caused by accidents, pests and vermin, lightning, wind, fire, floods, or acts of God.
6. Damage resulting from misuse, abuse, improper installation, repair, or maintenance. Improper repair includes use of parts not approved or specified by LG.
7. Damage or failure caused by unauthorized modification or alteration, or if it is used for other than the intended purpose, or any water leakage where the unit was not properly installed.
8. Damage or failure caused by incorrect electrical current, voltage, or plumbing codes, commercial or industrial use, or use of accessories, components, or consumable cleaning products that are not approved by LG.
9. Damage caused by transportation and handling, including scratches, dents, chips, and/or other damage to the finish of your product, unless such damage results from defects in materials or workmanship and is reported within one (1) week of delivery (Call: 1-800-243-0000).
10. Damage or missing items to any display, open box, discounted, or refurbished product.
11. Products with original serial numbers that have been removed, altered, or can not be readily determined. Model and Serial numbers, along with original retail sales receipt, are required for warranty validation.
12. Increases in utility costs and additional utility expenses.
13. Replacement of light bulbs, filters, or any consumable parts.
14. Repairs when your product is used in other than normal and usual household use (e.g. commercial use, offices, and recreational facilities) or contrary to the instructions outlined in the product owner's manual.
15. Costs associated with removal of your product from your home for repairs.
16. The removal and reinstallation of the product if it is installed in an inaccessible location or is not installed in accordance with published installation instructions, including LG's owner's and installation manuals.
17. Shelves, door bins, drawers, handles, accessories, and other parts besides those that were originally included with this particular model.

The cost of repair or replacement under these excluded circumstances shall be borne by the consumer.

For complete warranty details and customer assistance, please call or visit our website:
 Call 1-800-243-0000 (24 hours a day, 365 days a year) and select the appropriate option from the menu, or visit our website at <http://us.lgservice.com>
 Or by mail: LG Customer Information Center:
 P. O. Box 240007, 201 James Record Road Huntsville, Alabama 35813
 ATTN: CIC

Write your warranty information below:

Product Registration Information:

Model: _____
Serial Number: _____
Date of Purchase: _____

LG ELECTRONICS CANADA, INC.

LG REFRIGERATOR LIMITED WARRANTY - Canada

WARRANTY: Should your LG Refrigerator ("**Product**") fail due to a defect in material or workmanship under normal home use during the warranty period set forth below, LG Canada will at its option repair or replace the Product upon receipt of proof of original retail purchase. This warranty is valid only to the original retail purchaser of the product and applies only to a Product distributed in Canada by LG Canada or an authorized Canadian distributor thereof. The warranty only applies to Products located and used within Canada.

WARRANTY PERIOD: (Note: If the original date of purchase can not be verified, the warranty will begin sixty (60) days from the date of manufacture)		
Refrigerator/Freezer	Sealed System (Compressor, Condenser, and Evaporator only)	
One (1) year from the date of original retail purchase	One (1) year from the date of original retail purchase	Seven (7) years from the date of original retail purchase
Parts and Labor (internal/functional parts only)	Parts and Labor	Parts only (Consumer will be charged for labor)

- ▶ Replacement products and parts are warranted for the remaining portion of the original warranty period or ninety (90) days, whichever is greater.
- ▶ Replacement products and parts may be new or remanufactured.
- ▶ LG Authorized Service Center warranties their repair work for thirty (30) days.

LG CANADA'S SOLE LIABILITY IS LIMITED TO THE WARRANTY SET OUT ABOVE. EXCEPT AS EXPRESSLY PROVIDED ABOVE, LG CANADA MAKES NO AND HEREBY DISCLAIMS ALL OTHER WARRANTIES AND CONDITIONS RESPECTING THE PRODUCT, WHETHER EXPRESS OR IMPLIED, INCLUDING, BUT NOT LIMITED TO, ANY IMPLIED WARRANTY OR CONDITION OF MERCHANTABILITY OR FITNESS FOR A PARTICULAR PURPOSE, AND NO REPRESENTATIONS SHALL BE BINDING ON LG CANADA. LG CANADA DOES NOT AUTHORIZE ANY PERSON TO CREATE OR ASSUME FOR IT ANY OTHER WARRANTY OBLIGATION OR LIABILITY IN CONNECTION WITH THE PRODUCT. TO THE EXTENT THAT ANY WARRANTY OR CONDITION IS IMPLIED BY LAW, IT IS LIMITED TO THE EXPRESS WARRANTY PERIOD ABOVE. LG CANADA, THE MANUFACTURER OR DISTRIBUTOR SHALL NOT BE LIABLE FOR ANY INCIDENTAL, CONSEQUENTIAL, SPECIAL, DIRECT OR INDIRECT DAMAGES, LOSS OF GOODWILL, LOST PROFITS, PUNITIVE OR EXEMPLARY DAMAGES OR ANY OTHER DAMAGE, WHETHER ARISING DIRECTLY OR INDIRECTLY FROM ANY CONTRACTUAL BREACH, FUNDAMENTAL OR OTHERWISE, OR FROM ANY ACTS OR OMISSIONS, TORT, OR OTHERWISE. This warranty gives you specific legal rights. You may have other rights which may vary from province to province depending on applicable provincial laws. Any term of this warranty that negates or varies any implied condition or warranty under provincial law is severable where it conflicts with provincial law without affecting the remainder of this warranty's terms.

THIS LIMITED WARRANTY DOES NOT COVER:

1. Service trips to deliver, pick up, or install the product; instructing a customer on operation of the product; repair or replacement of fuses or correction of wiring or plumbing, or correction of unauthorized repairs/installation.
2. Failure of the product to perform during power failures and interruptions or inadequate electrical service.
3. Damage caused by leaky or broken water pipes, frozen water pipes, restricted drain lines, inadequate or interrupted water supply or inadequate supply of air.
4. Damage resulting from operating the Product in a corrosive atmosphere or contrary to the instructions outlined in the Product owner's manual.
5. Damage to the Product caused by accidents, pests and vermin, lightning, wind, fire, floods, or acts of God.
6. Damage resulting from the misuse, abuse, improper installation, repair, or maintenance of the Product. Improper repair includes use of parts not approved or specified by LG Canada.
7. Damage or product failure caused by unauthorized modification or alteration, or use for other than its intended purpose, or resulting from any water leakage due to improper installation.
8. Damage or Product failure caused by incorrect electrical current, voltage, or plumbing codes, commercial or industrial use, or use of accessories, components, or cleaning products that are not approved by LG Canada.
9. Damage caused by transportation and handling, including scratches, dents, chips, and/or other damage to the finish of your product, unless such damage results from defects in materials or workmanship and is reported within one (1) week of delivery.
10. Damage or missing items to any display, open box, discounted, or refurbished Product.
11. Products with original serial numbers that have been removed, altered, or cannot be readily determined. Model and Serial numbers, along with original retail sales receipt, are required for warranty validation.
12. Increases in utility costs and additional utility expenses.
13. Replacement of light bulbs, filters, or any consumable parts.
14. Repairs when your Product is used in other than normal and usual household use (including, without limitation, commercial use, in offices or recreational facilities) or contrary to the instructions outlined in the Product owner's manual.
15. Costs associated with removal of the Product from your home for repairs.
16. The removal and reinstallation of the Product if it is installed in an inaccessible location or is not installed in accordance with published installation instructions, including the Product owner's and installation manuals.
17. Shelves, door bins, drawers, handles, and accessories to the Product. Also excluded are parts besides those that were originally included with the Product.

All costs associated with the above excluded circumstances shall be borne by the consumer.

For complete warranty details and customer assistance, please call or visit our website: Call 1-888-542-2623 (24 hours a day, 365 days a year) and select the appropriate option from the menu, or visit our website at <http://www.lg.ca>

Write your warranty information below: _____
Product Registration Information: _____
Model: _____ **Serial Number:** _____
Date of Purchase: _____

INTRODUCTION

CONSIGNES DE SÉCURITÉ IMPORTANTES

Mesures de sécurité fondamentales	45
Élimination des CFC	46
Raccordement à l'alimentation électrique	47

COMPOSANTS ET FONCTIONS

Fonctions spéciales	48
Pièces et composants principaux	49

INSTALLATION

Choisir l'emplacement approprié	50
Dégagements	50
Revêtement de sol	51
Enlèvement des poignées	51
Enlèvement des portes et du tiroir	52
Raccordement à l'alimentation d'eau	58
Raccordement des conduites d'eau	58
Mise à niveau des portes du réfrigérateur	60
Démarrage	61

UTILISATION DU RÉFRIGÉRATEUR

Fonctions du panneau de commande	62
L'afficheur DEL	63
Réglage des températures et de l'affichage	64
Fonctionnement du distributeur	65
Réglage des fonctions	66
Bac à glace de porte	67
Machine à glaçons automatique	68
Conservation des aliments	69
Rangement des aliments	70
Réglage de la hauteur des clayettes	71

ENTRETIEN ET NETTOYAGE

Remplacement des ampoules de lampe	72
Enlèvement et remise en place des composants	73
Nettoyage du réfrigérateur	77
Renseignements généraux	77
Remplacement du filtre à eau	78

DÉPANNAGE

Avant de faire un appel de service	79
--	----

CARACTÉRISTIQUES TECHNIQUES

Dimensions et caractéristiques principales	83
--	----

GARANTIE

Enregistrement du produit	84
---------------------------------	----

MERCI!

Félicitations pour votre achat et
bienvenue dans la famille LG.

Votre nouveau réfrigérateur à
portes françaises combine la
technologie de réfrigération

la plus évoluée à une utilisation
simple et une grande efficacité


En respectant les instructions
d'utilisation et d'entretien

de ce manuel, votre réfrigérateur
vous apportera de nombreuses
années de service fiable.

CONSIGNES DE SÉCURITÉ IMPORTANTES

MESURES DE SÉCURITÉ FONDAMENTALES

Ce manuel contient plusieurs messages de sécurité importants. Lisez ces messages de sécurité et observez-les en tout temps.

 Ceci est un symbole d'avis de sécurité. Le message de sécurité qu'il signale vous renseigne sur un risque pouvant entraîner la mort, des blessures corporelles ou l'endommagement du produit. Tous les messages de sécurité sont précédés de ce symbole et des mots DANGER, AVERTISSEMENT, ou MISE EN GARDE. La signification de ces mots est la suivante :

DANGER

Vous **prenez** un risque de mort ou de blessure grave si vous ne respectez pas les instructions.

AVERTISSEMENT

Vous **pouvez** perdre la vie ou être sévèrement blessé si vous n'observez pas les instructions.

MISE EN GARDE

Indique une situation de risque imminente qui, si elle n'est pas évitée, **peut** entraîner une blessure mineure ou modérée, ou endommager le produit.

Tous les messages de sécurité identifient les risques, indiquent la façon de les réduire, et décrivent les conséquences susceptibles de se produire si l'on ne se conforme pas aux instructions.

AVERTISSEMENT

Afin de réduire les risques d'incendie, d'électrocution, ou de blessures lors de l'utilisation du produit, des mesures de sécurité fondamentales doivent être prises, y compris celles qui suivent.

Lisez toutes les instructions avant d'utiliser cet appareil.

- Ne débranchez jamais le réfrigérateur en tirant sur le cordon d'alimentation. Saisissez toujours la fiche fermement et retirez-la de la prise en droite ligne.
- Réparez ou remplacez immédiatement les cordons électriques effilochés ou autrement endommagés. N'utilisez pas un cordon qui montre des signes de craquelures ou d'abrasion, que ce soit sur sa longueur, sa fiche ou une autre extrémité.
- Veillez à ne pas endommager le cordon lorsque vous éloignez le réfrigérateur du mur.
- Ne rangez ni n'utilisez d'essence ou autres vapeurs ou liquides inflammables à proximité de cet appareil ou de n'importe quel autre appareil.
- Ne permettez pas aux enfants de grimper, se pendre, ou se tenir sur les portes ou les clayettes du réfrigérateur. Ils risqueraient d'endommager celui-ci ou de se blesser sérieusement.
- Gardez vos doigts à l'écart des zones de coincement, l'espace entre les portes et la carrosserie étant nécessairement restreint. Fermez les portes avec précaution lorsque des enfants se trouvent à proximité.
- Débranchez le réfrigérateur avant de procéder au nettoyage ou à toute réparation.

REMARQUE : Les réparations doivent être effectuées par un technicien agréé.

- Avant de remplacer une ampoule grillée, débranchez le réfrigérateur ou coupez l'alimentation au niveau du disjoncteur ou de la boîte de fusible afin d'éviter tout contact avec un fil sous tension. (Une ampoule grillée peut se briser lors de son remplacement.)

REMARQUE : Certains modèles sont munis d'un éclairage LED intérieur et leur entretien doit être effectué par un technicien qualifié.

REMARQUE : Le fait de mettre les deux ou l'une des commandes à la position OFF (Arrêt) ne coupe pas l'alimentation du circuit de la lumière.

- Lorsque vous avez terminé, rebranchez le réfrigérateur à la source électrique et réinitialisez la commande (thermostat, commande du réfrigérateur ou du congélateur, dépendant du modèle) au réglage souhaité
- Ce réfrigérateur doit être correctement installé, conformément aux **instructions d'installation** indiquées à l'avant du réfrigérateur.
- Lorsque le réfrigérateur est en marche, ne touchez pas aux surfaces froides du compartiment congélation si vos mains sont moites ou mouillées. La peau risque d'adhérer aux surfaces très froides.
- Évitez de toucher à l'élément chauffant ou aux pièces mobiles du mécanisme d'éjection de la machine à glaçons d'un réfrigérateur qui en est équipé. Ne mettez PAS les doigts ou les mains dans la machine à glaçons automatique si le réfrigérateur est branché.
- **Ne modifiez ni n'allongez le cordon électrique.** Une électrocution ou un incendie en résulterait.

CONSIGNES DE SÉCURITÉ IMPORTANTES

MESURES DE SÉCURITÉ FONDAMENTALES (SUITE)

- Ne congelez pas de nouveau les aliments qui se sont complètement décongelés. Le Ministère de l'Agriculture des États-Unis stipule dans son bulletin Home and Garden n o 69 :
...Vous pouvez, en toute sécurité, congeler de nouveau des aliments décongelés s'ils contiennent encore des cristaux de glace ou sont encore froids—au-dessous de 40°F (4°C).
...La viande hachée, la volaille, ou le poisson décongelés ayant une odeur ou une couleur anormales ne doivent être ni recongelés ni mangés. La crème glacée fondue doit être jetée.

Débarrassez-vous de tout aliment dont l'odeur ou la couleur est mauvaise ou douteuse. Il pourrait être dangereux de manger de tels aliments.

Une décongélation même partielle suivie d'une recongélation altère la qualité des aliments, particulièrement les fruits, les légumes et les plats préparés. La qualité des viandes rouges est moins affectée que celle de la plupart des autres aliments. Utilisez les aliments recongelés dès que possible pour une préservation optimale de leur qualité.

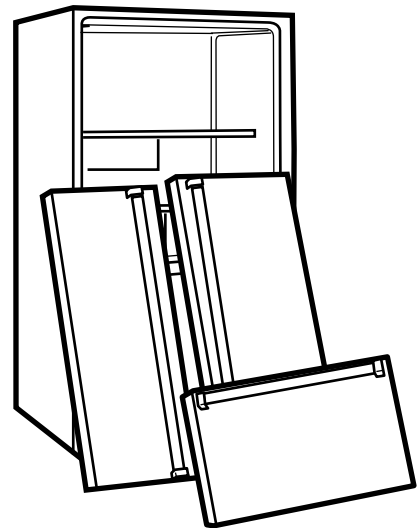
⚠ DANGER

Risque de piégeage des enfants

Les réfrigérateurs jetés ou abandonnés sont dangereux, même s'ils ne restent que quelques jours. Si vous vous départissez de votre vieux réfrigérateur, veuillez suivre les instructions ci-dessous afin de prévenir les accidents :

Avant de jeter votre vieux réfrigérateur ou congélateur :

- Enlevez les portes.
- Laissez les clayettes en place de sorte que les enfants ne puissent entrer facilement à l'intérieur.



ÉLIMINATION DES CFC

Votre vieux réfrigérateur est peut-être équipé d'un système de refroidissement qui contient des CFC (chlorofluorocarbures). Or ceux-ci sont considérés comme dommageables pour la couche d'ozone.

Si vous jetez votre vieux réfrigérateur, assurez-vous qu'un technicien qualifié mettra correctement au rebut le frigorigène qui contient des CFC. Si vous libérez intentionnellement ce frigorigène dans l'atmosphère, vous encourez une amende ou l'emprisonnement en vertu des lois sur l'environnement.

CONSIGNES DE SÉCURITÉ IMPORTANTES

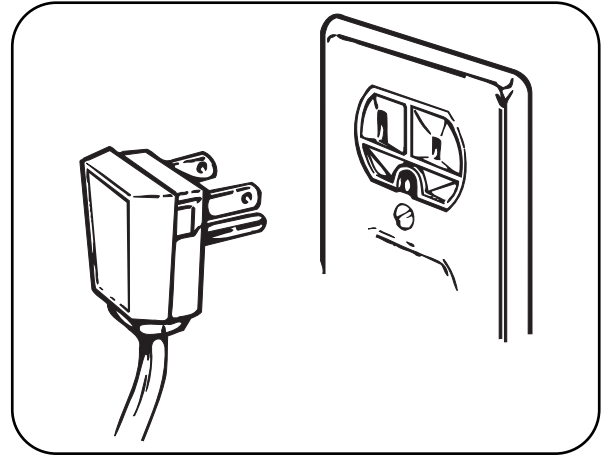
RACCORDEMENT À L'ALIMENTATION ÉLECTRIQUE

IMPORTANT: Veuillez lire cette section attentivement.

⚠️ AVERTISSEMENT

Risque d'électrocution

Pour la sécurité des personnes, cet appareil doit être correctement mis à la terre. Demandez à un électricien agréé de vérifier l'exactitude de la mise à la terre de la prise murale et du circuit.



MÉTHODE DE MISE À LA TERRE RECOMMANDÉE

Le réfrigérateur doit toujours être branché dans une prise électrique dédiée et correctement mise à la terre, classée pour une alimentation de 120 V, 60 Hz, uniquement à c.a. et munie d'un fusible de 20 ampères. Ces caractéristiques procurent le meilleur rendement et préviennent la surcharge du circuit de câblage domestique qui peut entraîner un risque d'incendie. Il est recommandé d'affecter un circuit particulier à l'alimentation de cet appareil.

Utilisez une prise de courant dont la mise hors tension par un interrupteur ou une chaîne est impossible. N'utilisez pas de cordon rallonge. Si vous êtes en présence d'une prise de courant bipolaire standard (deux trous), vous avez la responsabilité et l'obligation de la faire remplacer par une prise tripolaire (trois trous) correctement mise à la terre.

En aucun cas vous ne devez couper ou enlever la troisième broche (mise à la terre) de la fiche du cordon.

N'utilisez pas une fiche adaptatrice.

REMARQUE : Certains modèles sont munis d'un éclairage LED intérieur et leur entretien doit être effectué par un technicien qualifié.

Quand vous avez terminé, rebranchez le réfrigérateur dans la prise électrique et remettez la commande (thermostat, commande du réfrigérateur, ou du congélateur, selon le modèle) au réglage voulu.

UTILISATION DE CORDONS RALLONGES

Étant donné les risques potentiels pour la sécurité, nous recommandons vivement de ne pas utiliser un cordon rallonge. Si vous tenez cependant à en utiliser un, le cordon rallonge doit absolument être doté des caractéristiques suivantes : trifilaire, certifié UL (États-Unis), classé 20 ampères minimum pour 120V, avec fiche et prise murale mises à la terre.

L'utilisation d'un cordon rallonge augmentera l'espace libre requis à l'arrière du réfrigérateur.

CONSERVEZ CES INSTRUCTIONS

COMPOSANTS ET FONCTIONS

FONCTIONS SPÉCIALES

1 AFFICHEUR DEL DU PANNEAU DE COMMANDE

Les commandes électroniques simples sont conviviales. L'afficheur DEL indique les températures du réfrigérateur et du congélateur, affiche l'état du filtre à eau, des données sur le distributeur et d'autres renseignements.

2 ICE PLUS (GLACE PLUS)

Quand ce dispositif est activé, la section congélateur fonctionnera à la température la plus froide pendant une période de 24 heures pour augmenter la production de glace d'environ 20 pour cent.

3 DISTRIBUTEURS D'EAU FILTRÉE ET DE GLAÇONS

Le refroidisseur d'eau fournit de l'eau fraîche, glacée et filtrée à travers la porte. Le distributeur de glaçons fournit de la glace en cubes ou broyée.

4 ALARME DE PORTE

Une alarme retentit à des intervalles de 30 secondes si une porte du réfrigérateur ou du congélateur est laissée ouverte pour plus de 60 secondes.

5 BAC A GLACE DE PORTE

La machine à glaçons automatique produit de 80 à 130 glaçons sur une période de 24 heures afin de maintenir le distributeur de glace à pleine capacité. Le design de la contre-porte libère de l'espace pour les clayettes.

6 BAC À LÉGUMES

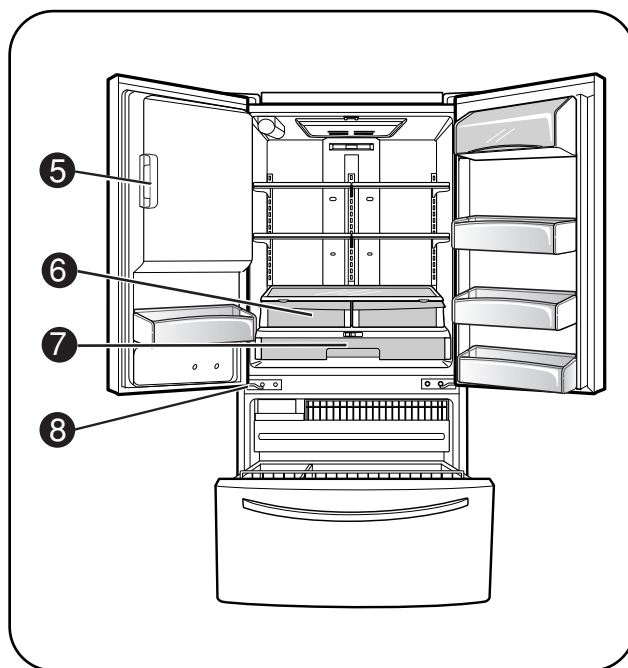
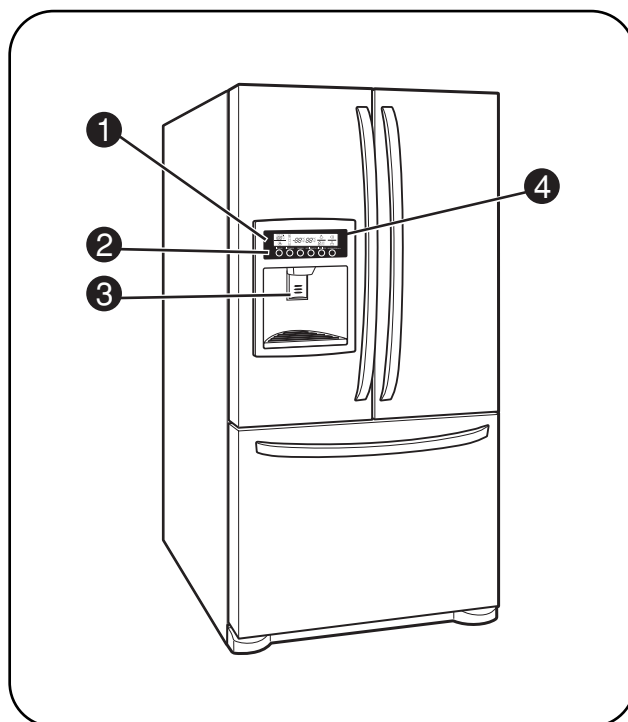
Les bacs à légumes LG's préservent de l'humidité et aident à conserver les légumes sèches.

7 GLIDE'N'SERVE (GLISSEZ ET SERVEZ)

Fournit un espace de stockage avec un contrôle de température variable qui permet de disposer d'un compartiment plus froid que le reste du réfrigérateur.

8 CHARNIÈRE DE FERMETURE AUTOMATIQUE

La porte du réfrigérateur se ferme automatiquement lorsque vous la repoussez tout doucement. (La porte se referme automatiquement si l'angle d'ouverture est inférieur à 30°C.)



REMARQUE : Ce guide concerne plusieurs modèles. Le réfrigérateur que vous avez acheté peut se composer de tout ou partie des éléments répertoriés ci-dessous. L'emplacement des fonctionnalités représenté ci-dessous peut correspondre à votre modèle.

COMPOSANTS ET FONCTIONS

PIÈCES ET COMPOSANTS PRINCIPAUX

En plus des fonctions et composants spéciaux décrits dans la section **Fonctions Spéciales**, de nombreux autres composants importants sont mentionnés dans ce guide.

1 RAYONNAGE DU REFRIGERATEUR AJUSTABLE

Les clayettes du compartiment réfrigérateur sont réglables pour permettre un rangement polyvalent.

2 PORTE-BOUTEILLES

Vous pouvez arranger trois bacs interchangeables pour satisfaire vos besoins de stockage.

3 BAC À COLLATIONS

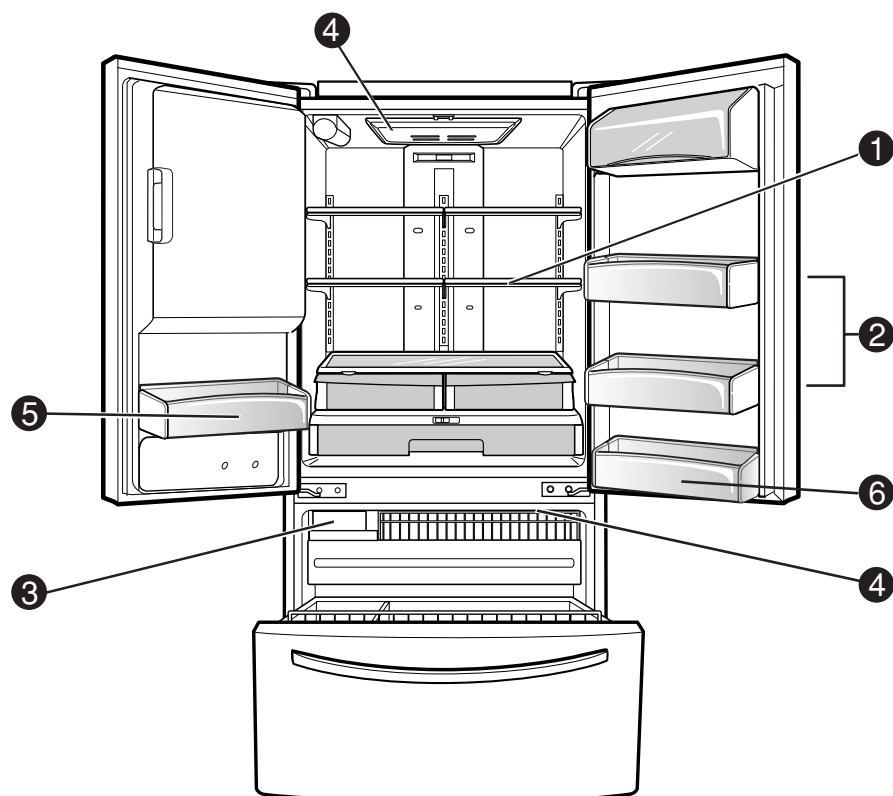
Le bac à collations est idéal pour ranger le pain, les viandes froides, et les grignotines.

4 ÉCLAIRAGE INTÉRIEUR

Deux lampes distinctes éclairent l'intérieur du congélateur et du réfrigérateur.

5 CASIER DE PORTE FIXE

6 CASIER DE PORTE FIXE



INSTALLATION

CHOISIR L'EMPLACEMENT APPROPRIÉ

⚠ AVERTISSEMENT

Risque de poids excessif

Au moins deux personnes sont nécessaires pour déplacer et déballer l'appareil.

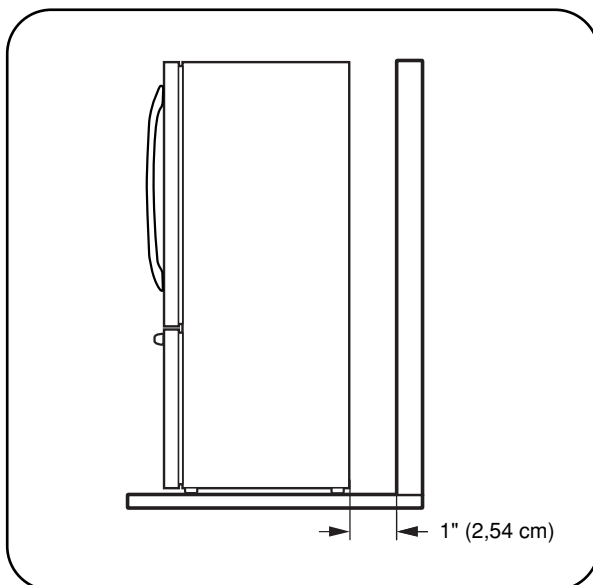
- Rangez et installez le réfrigérateur dans un endroit où il ne sera pas exposé aux intempéries ou à des températures sous le point de congélation.
- Installez cet appareil dans un endroit où la température se maintient entre 55°F (13°C) et 110°F (43°C). Si la température autour de l'appareil est trop basse ou trop élevée, la capacité de congélation peut être compromise.
- Si le réfrigérateur est installé dans un endroit où la température s'élève au-dessus de 110°F (43°C), la capacité de congélation sera compromise et les coûts d'électricité augmenteront.

- Pour réduire le risque d'électrocution, n'installez pas le réfrigérateur dans un endroit mouillé ou humide.
- Sélectionnez un endroit où il soit facile de connecter l'arrivée d'eau pour la machine à glaçons et le distributeur automatique.
- Une installation instable peut engendrer des vibrations et du bruit. Si le plancher n'est pas nivelé, nivelez le réfrigérateur en tournant les vis d'ajustement de hauteur.
- Mettez le réfrigérateur à la terre conformément aux codes et règlements en vigueur.

⚠ MISE EN GARDE

N'installez pas votre réfrigérateur en proximité des sources de chaleur, en la lumière du soleil, ou de humidité.

DÉGAGEMENTS



- Une distance trop courte par rapport aux objets adjacents peut réduire la capacité de congélation et augmenter les frais de consommation d'électricité.
Laissez au moins 24 po (61 cm) devant le réfrigérateur pour ouvrir les portes.
- REMARQUE :** Reportez-vous à la page 82 pour les dimensions et les caractéristiques complètes.

REVÊTEMENT DE SOL

- Pour réduire le bruit et les vibrations au minimum, le réfrigérateur DOIT reposer sur un plancher solidement construit.
- Pour éviter les vibrations, l'appareil doit être de niveau. Au besoin, réglez les pattes de nivellement pour compenser les inégalités du plancher. Le devant doit être légèrement plus haut que l'arrière pour faciliter la fermeture des portes. Les pieds de mise à niveau peuvent être tournés facilement en repoussant le haut du réfrigérateur pour soulager les pieds du poids du réfrigérateur. Vissez les pattes dans le sens horaire pour remonter l'appareil et dans le sens antihoraire pour l'abaisser.

- Un revêtement de tapis ou de tuiles souples n'est pas recommandé.
- N'installez jamais le réfrigérateur sur une plateforme ou une structure faiblement soutenue.

REMARQUE : Assurez-vous de protéger le plancher lorsque vous déplacez le réfrigérateur pour le nettoyage ou une réparation. Tirez toujours sur le réfrigérateur en ligne droite pour le déplacer. Évitez de le branler ou le faire pivoter pour éviter d'endommager le plancher.

REMARQUE : il est recommandé de démonter les portes s'il est nécessaire de passer le réfrigérateur dans une ouverture étroite.

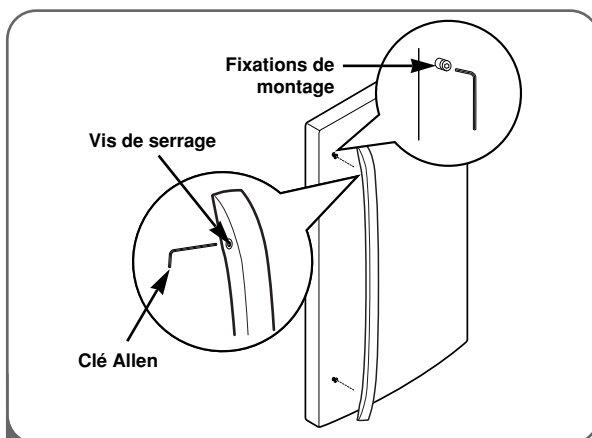
ENLÈVEMENT DES POIGNÉES

Pour déplacer le réfrigérateur à travers l'embrasure d'une porte, il peut s'avérer nécessaire d'enlever les poignées des portes du réfrigérateur.

REMARQUE : L'aspect des poignées peut différer des illustrations de cette page.

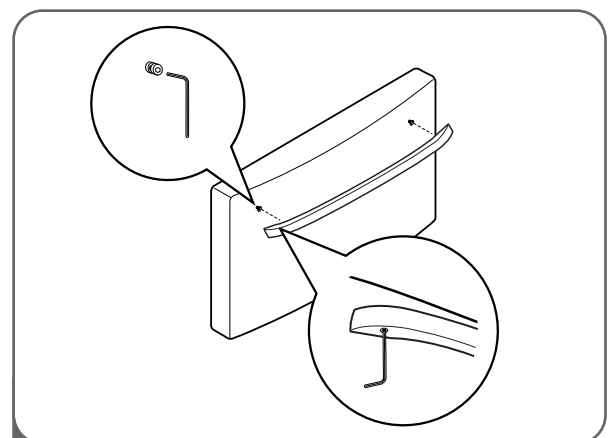
⚠ MISE EN GARDE

- Enlevez les poignées avec précaution pour éviter d'écarter les portes.
- Vous risquez d'endommager la poignée si vous la frappez avec un marteau lors de son enlèvement ou de sa fixation.
- En enlevant ou fixant la poignée, tirez ou poussez avec une force raisonnable.



- 1 Desserrez les vis de l'ensemble à l'aide d'une clé Allen de 2,5 mm (3/32 po.) et enlevez la poignée.

REMARQUE : Si vous devez resserrer ou enlever les fixations de montage de la poignée, utilisez la clé Allen de 1/4 po.



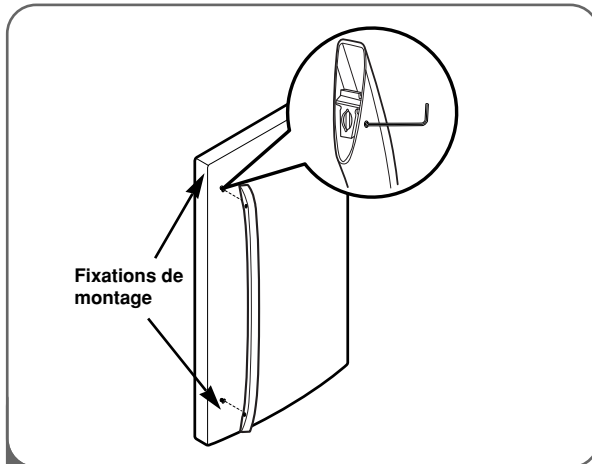
- 2 Desserrez les vis de l'ensemble situées en bas de la poignée à l'aide de la clé Allen de 2,5 mm (3/32 po.) et enlevez la poignée.

REMARQUE : Si vous devez resserrer ou enlever les fixations de montage de la poignée, utilisez la clé Allen de 1/4 po.

INSTALLATION

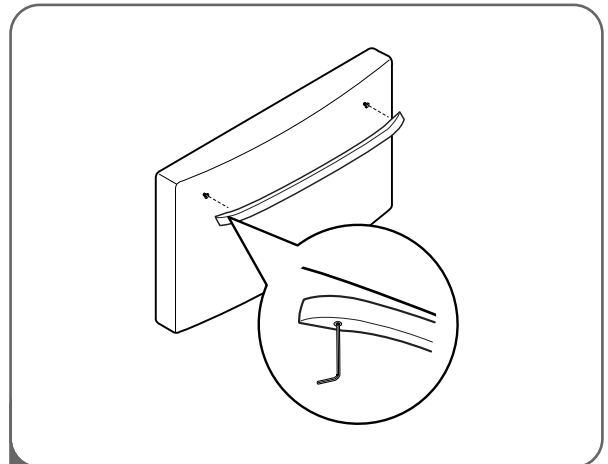
ENLÈVEMENT DES POIGNÉES (SUITE)

RÉINSTALLATION DES POIGNÉES



- 1 Placez la poignée sur la porte en alignant les empreintes de la poignée pour les adapter aux attaches de montage et serrez les vis de fixation à l'aide d'une clé Allen 2,5 mm (3/32 po)

REMARQUE: Si vous devez resserrer ou enlever les fixations de montage de la poignée, utilisez la clé Allen de 1/4 po.



- 2 Placez la poignée sur la porte en alignant les empreintes de la poignée pour les adapter aux attaches de montage et serrez les vis de fixation au bas de la poignée à l'aide d'une clé Allen 2,5 mm (3/32 po)

REMARQUE: Si vous devez resserrer ou enlever les fixations de montage de la poignée, utilisez la clé Allen de 1/4 po.

ENLÈVEMENT DES PORTES ET DU TIROIR

ENLÈVEMENT DES PORTES

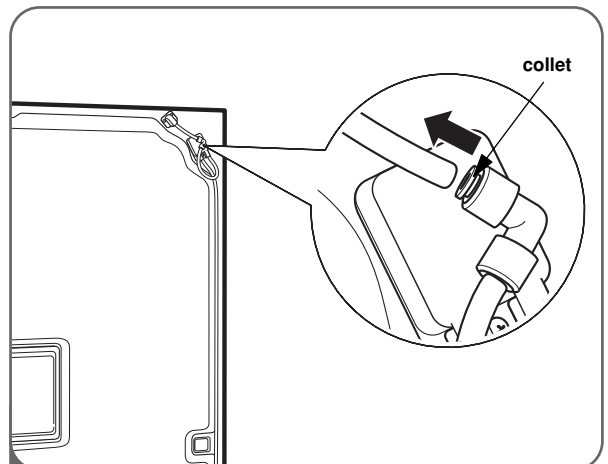
⚠ AVERTISSEMENT

Risque d'électrocution

- Débranchez l'alimentation électrique vers le réfrigérateur avant d'installer. Négliger de le faire pourrait occasionner des blessures fatales ou graves.
- Ne pas placer les mains ou les pieds ou des bâtons en métal dans les grilles d'aération, la grille de la base ou à la base du réfrigérateur. Vous pouvez vous blesser ou recevoir un choc électrique.
- Soyez prudent lorsque vous travaillez avec la charnière, la grille basale, ou la butée. Vous pourriez vous blesser.

Avant de commencer, retirez les aliments et les bacs des contre-portes.

Si votre porte d'entrée est trop étroite pour laisser passer le réfrigérateur, enlevez la porte du réfrigérateur, puis faites passer le réfrigérateur sur le côté dans l'embrasure.



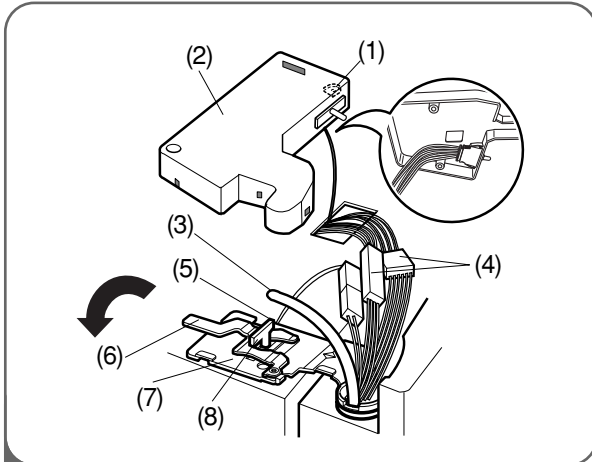
- 1 **Pour enlever la porte de réfrigérateur gauche :**

Sortez le tube du raccord tout en pressant l'anneau de dégagement sur le raccord.

REMARQUE: Pour retirer le tube, vous devez pousser le collier dans la direction opposée à la flèche dans l'image supérieure, et tirer le tube dans la direction de la flèche.

ENLÈVEMENT DES PORTES ET DU TIROIR (SUITE)

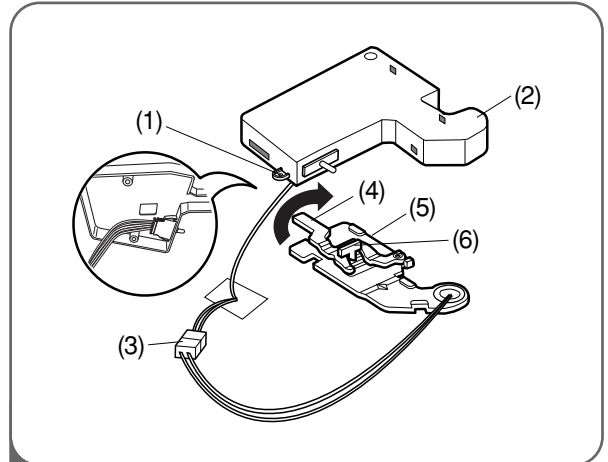
ENLÈVEMENT DES PORTES (SUITE)



- 2**
- Ouvrez la porte. Enlevez la vis supérieure de couverture de charnière (1).
 - Utilisez un tournevis à lame plate pour dégager les crochets (non illustrés) sur le devant de la face inférieure du couvercle (2). Soulevez le couvercle.
 - Retirez le couvercle. Dégagez le tube (3).
 - Débranchez tous les faisceaux de fils (4).
 - Retirez la vis de mise à la terre (5).
 - Faites pivoter le levier de la charnière (6) dans le sens contraire des aiguilles d'une montre. Soulevez la charnière supérieure (7) pour la dégager du loquet du levier (8).

IMPORTANT : En soulevant la charnière pour la dégager, veillez à ce que la porte ne tombe pas par en avant.

- Soulevez la porte par la tige de charnière centrale et enlevez la porte.
- Placez la porte, face intérieure vers le haut, sur une surface non abrasive.



3 Pour enlever la porte de réfrigérateur droite :

- Ouvrez la porte. Enlevez la vis supérieure de couverture de charnière (1). Soulevez le couvercle (2).
- Retirez le couvercle.
- Débranchez le faisceau de fils (3).
- Faites pivoter le levier de la charnière (4) dans le sens des aiguilles d'une montre. Soulevez la charnière supérieure (5) pour la dégager du loquet du levier (6).

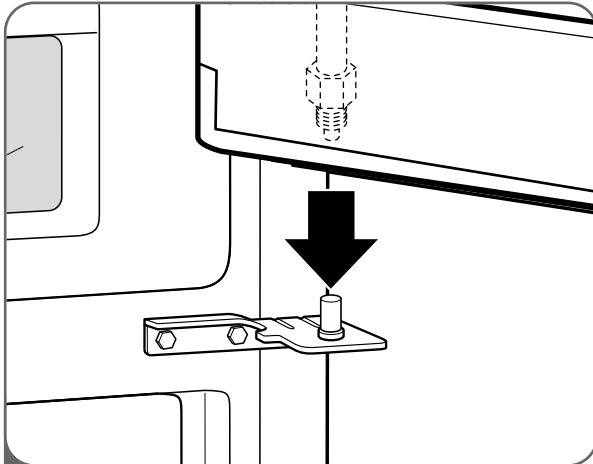
IMPORTANT : En soulevant la charnière pour la dégager, veillez à ce que la porte ne tombe pas par en avant.

- Soulevez la porte à partir de la tige de charnière centrale et enlevez la porte.
- Placez la porte, face intérieure vers le haut, sur une surface non abrasive.

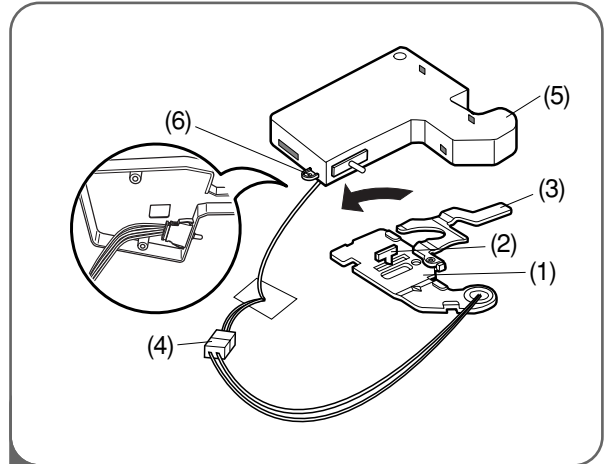
INSTALLATION

ENLÈVEMENT DES PORTES ET DU TIROIR (SUITE)

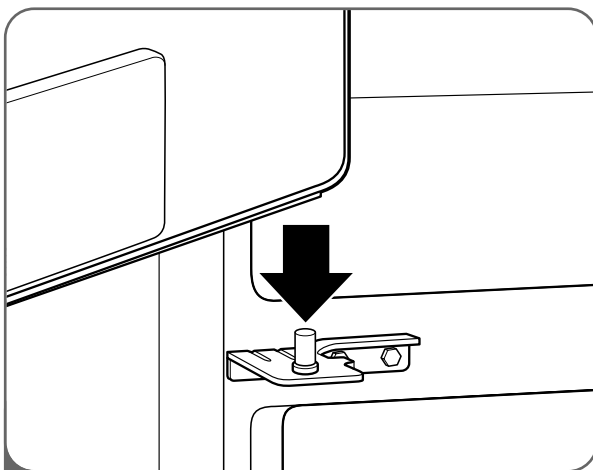
RÉINSTALLATION DES PORTES



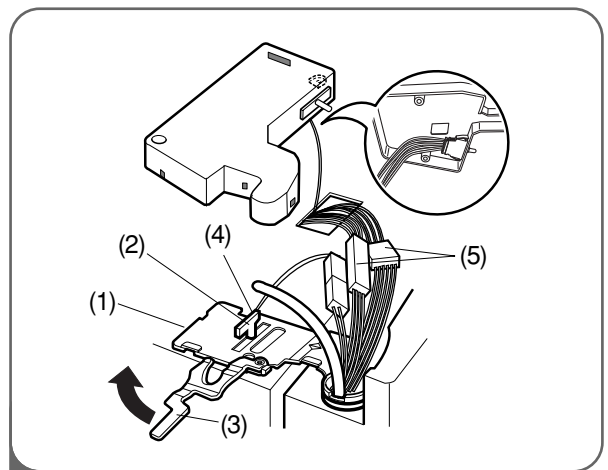
- 1 Commencez par installer la porte de droite.
- Abaissez la porte sur la tige de charnière centrale, comme illustré.
 - Assurez-vous que le manchon en plastique est inséré dans le bas de la porte.



- 2
- Placez la charnière supérieure (1) au dessus du loquet du levier de charnière (2) puis mettez-la en place. Tournez le levier (3) dans le sens antihoraire pour fixer la charnière.
 - Branchez le faisceau de fils (4).
 - Accrochez la languette du couvercle située côté interrupteur (5) sous le bord de l'orifi ce des fils dans le haut de la carrosserie. Mettez le couvercle en place. Insérez la vis du couvercle et serrez (6).



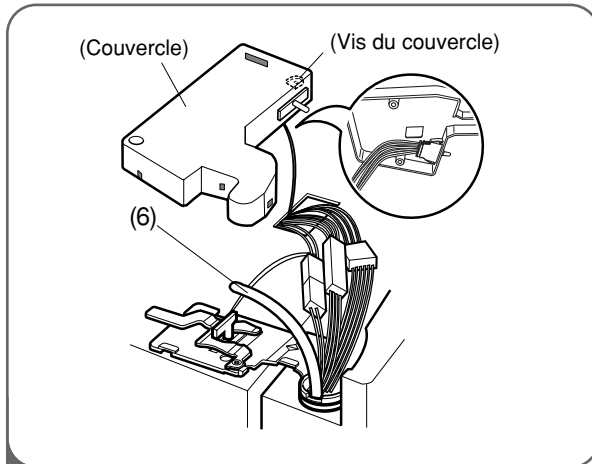
- 3 Installez la porte de gauche.
- Abaissez la porte sur la tige de charnière centrale.



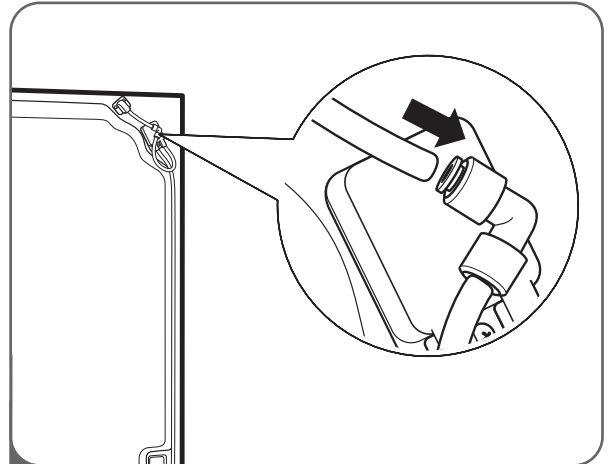
- 4
- Placez la charnière supérieure (1) au dessus du loquet du levier de charnière (2) puis mettez-la en place. Tournez le levier (3) dans le sens horaire pour fixer la charnière.
 - Installez la vis de mise à la terre (4) et reliez tous les harnais (5).

ENLÈVEMENT DES PORTES ET DU TIROIR (SUITE)

RÉINSTALLATION DES PORTES (CONT.)

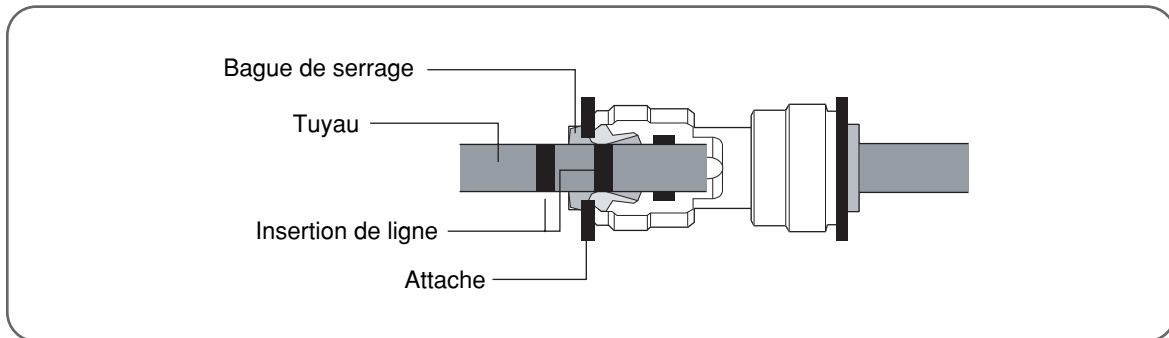


- 5 • Poussez le tube d'approvisionnement en eau (6) dans le trou sur le bac supérieur et tirez-le par la plaque arrière.

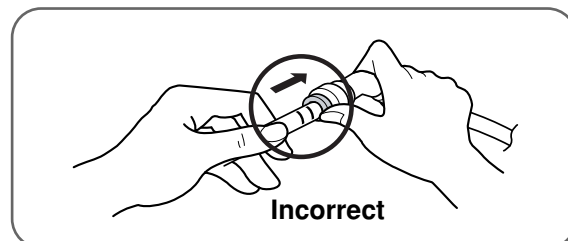
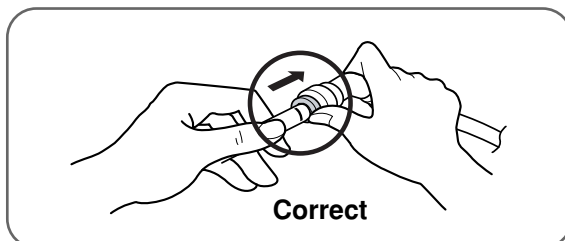


- 6 Insérez le tube d'alimentation d'eau dans le connecteur.
- Insérez le tube dans le connecteur sur une distance d'au moins 5/8 po (15 mm).
 - Accrochez la languette du couvercle située côté interrupteur sous le bord de l'orifi ce des fils dans le haut de la carrosserie. Mettez le couvercle en place. Insérez la vis du couvercle et serrez.

⚠ AVERTISSEMENT



1. Insérez le tuyau jusqu'à ce que vous ne voyiez qu'une seule ligne d'alimentation.
2. Ensuite, tirez du tuyau pour vérifier qu'il est correctement inséré.
3. Montez l'attache.



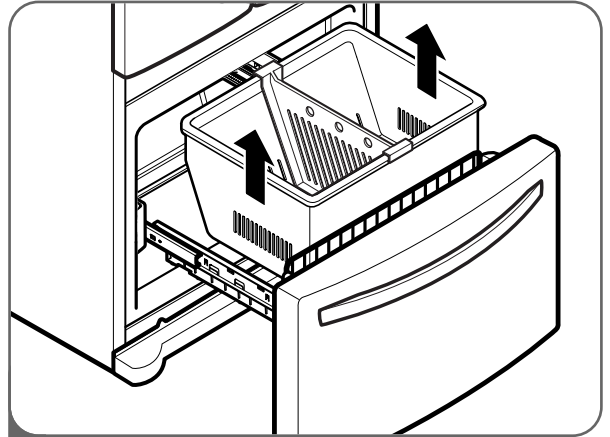
INSTALLATION

ENLÈVEMENT DES PORTES ET DU TIROIR (SUITE)

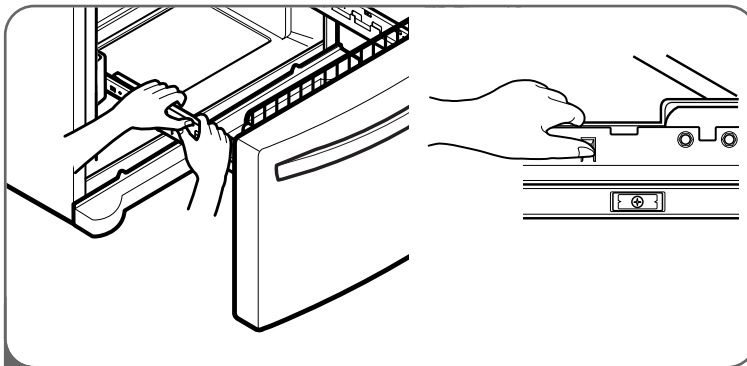
ENLÈVEMENT DU TIROIR DU CONGÉLATEUR

⚠ MISE EN GARDE

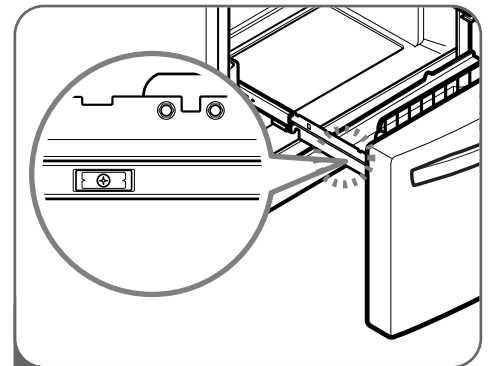
- Afin d'éviter tout risque de blessures ou de dommages au produit ou à la propriété, deux personnes seront nécessaires pour exécuter les instructions suivantes.
- Lorsque vous démontez le tiroir, ne le tenez pas par la poignée. Elle pourrait se casser et provoquer des blessures.
- En déposant le tiroir, veillez à ne pas endommager le plancher ni heurter vos pieds sur les bords coupants du côté charnière.



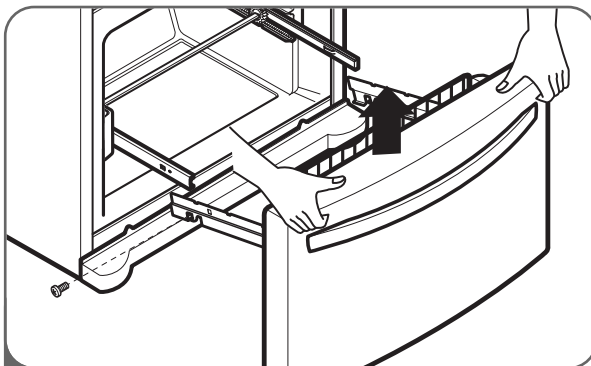
- 1 Pour enlever le tiroir du congélateur, ouvrez-le jusqu'au bout. Retirez le panier inférieur DuraBase® en le soulevant pour le dégager des rails.



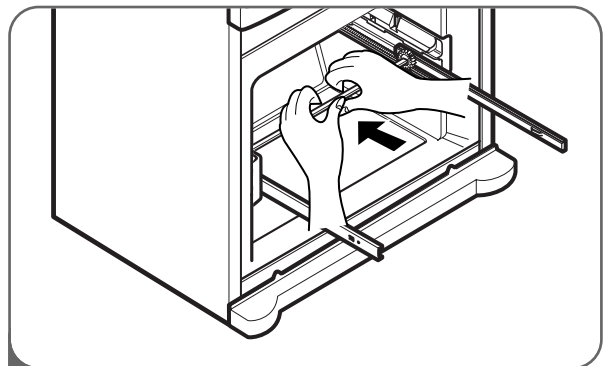
- 2 Séparez les rails gauche et droit du couvercle.



- 3 Retirez les vis du rail des deux côtés.



- 4 Avec les deux mains, maintenez les deux côtés de la porte et tirez pour les séparer.



- 5 Avec les deux mains, tordez la barre centrale suffisamment pour déverrouiller du chariot les deux extrémités.

⚠ ATTENTION: Lorsque vous enlevez le tiroir, ne saisissez pas la poignée. Si elle est enlevée, vous pourriez subir des blessures.

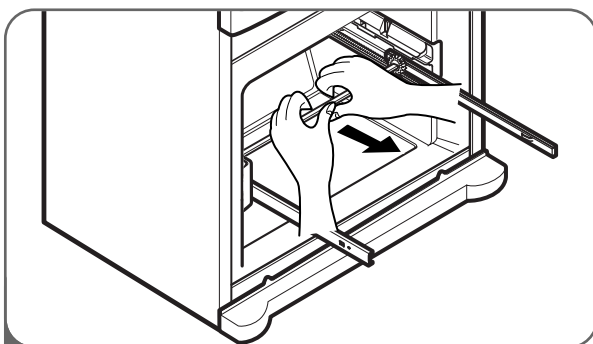
⚠ ATTENTION: Lorsque vous déposez le tiroir sur le plancher, veillez à ne pas endommager le plancher et à ne pas vous faire mal au pied avec les bords affilés du côté de la charnière.

ENLÈVEMENT DES PORTES ET DU TIROIR (SUITE)

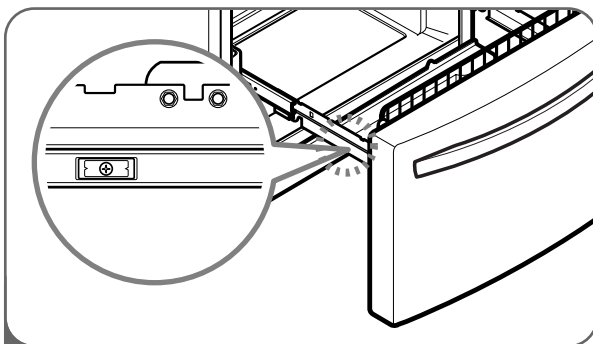
RÉINSTALLATION DU TIROIR DU CONGÉLATEUR

⚠ MISE EN GARDE

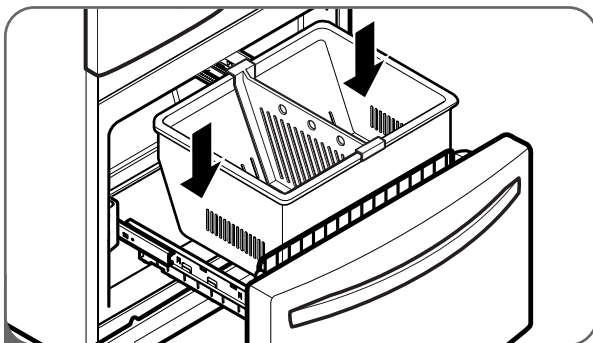
- Afin d'éviter tout risque de blessures ou de dommages au produit ou à la propriété, deux personnes seront nécessaires pour exécuter les instructions suivantes.



- 1 Pour remettre le tiroir en place, tenez la barre centrale avec les deux mains et tirez-la jusqu'à la pleine extension des rails.



- 3 Vérifiez la forme de gauche et droite du rail du couvercle.

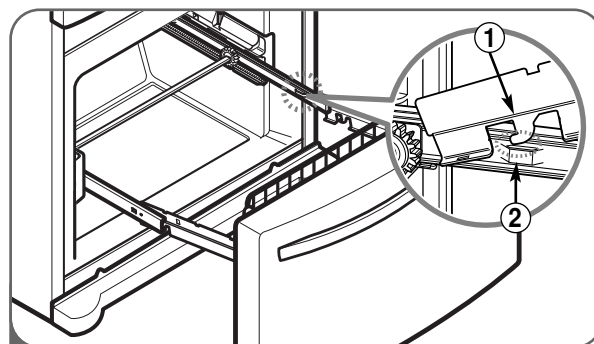


- 5 Avec le tiroir étendu à son extension totale, insérez le panier inférieur dans le système de guidage jusqu'à ce qu'il se déplace pas en avant.

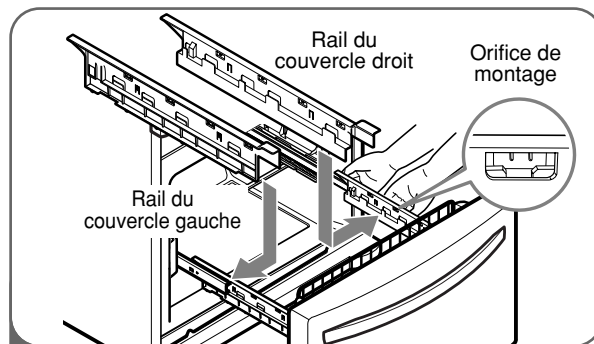
⚠ DANGER

Risque de piégeage des enfants

- Pour éviter le piégeage accidentel des enfants ou des animaux domestiques et les risques de suffocation, NE leur permettez PAS de jouer à l'intérieur du tiroir du congélateur.
- ÉVITEZ de mettre le pied ou de vous asseoir sur le tiroir.



- 2 Montez le connecteur de la porte (1) sur le bras du rail (2).



- 4 Alignez les orifices du haut du rail du couvercle avec ceux du bas du connecteur de la porte pour monter le rail du couvercle.

⚠ AVERTISSEMENT: Pour éviter que les enfants ou les animaux domestiques puissent rester attrapés ou suffoqués dedans, ne leur permettez pas de jouer dans l'intérieur du tiroir.

⚠ AVERTISSEMENT: Ne marchez ni ne vous asseyez sur la porte du congélateur.

RACCORDEMENT À L'ALIMENTATION D'EAU

⚠️ AVERTISSEMENT

Raccordez-vous à une alimentation d'eau potable seulement.

- La machine à glaçons automatique nécessite une pression d'eau de 21 à 121 psi (1,5 à 8,5 kgf/cm²) sur les modèles sans filtre à eau, et de 43 à 121 psi (3 à 8,5 kgf/cm²) sur les modèles avec filtre à eau.
- Si la pression d'eau n'atteint pas 21 psi (1,5 kgf/cm²) ou tombe sous cette valeur, la machine à glaçons et le distributeur d'eau doivent chacun être dotés d'une pompe de pression distincte pour fonctionner normalement.
- Il est recommandé que la longueur totale du tube d'alimentation d'eau ne dépasse pas 26 pi (8 m).
- Installez la conduite d'eau à un endroit où elle ne sera pas affectée par la chaleur.

IMPORTANT : Lisez toutes les directives attentivement avant de commencer.

- Si le réfrigérateur doit fonctionner avant d'effectuer le raccordement à l'alimentation d'eau, mettez la machine à glaçons à la position OFF (Arrêt) pour empêcher son fonctionnement à vide.
- Toutes les installations doivent se conformer aux codes locaux qui régissent les travaux de plomberie.
- Utilisez des conduites en cuivre et vérifiez les fuites.
- Installez les conduites uniquement dans des endroits où la température se maintiendra au-dessus du point de congélation.
- La machine à glaçons peut prendre jusqu'à 24 heures pour commencer à produire de la glace.

Outils requis

- Tournevis standard
- Clés à fourche de 7/16 et 1/2 po ou deux clés réglables
- Tournevis à douille de 1/4 po
- Mèche de 1/4 po
- Perceuse manuelle ou électrique (correctement mise à la terre)

REMARQUE : Les concessionnaires de réfrigérateurs offrent une trousse qui comprend un robinet d'arrêt à étrier de 1/4 po, un raccord, et une conduite en cuivre. Avant de vous la procurer, assurez-vous de la conformité du robinet d'arrêt à étrier aux codes locaux qui régissent les travaux de plomberie. N'utilisez pas un robinet de type perforant ou un robinet d'arrêt à étrier de 3/16 po car ceux-ci réduisent le débit d'eau et s'obstruent plus facilement.

Alimentation d'eau froide

- Le robinet d'adduction d'eau de la machine à glaçons est doté d'une électrovanne qui sert de régulateur de pression.
- La machine à glaçons doit être raccordée à une conduite d'eau froide dont la pression est de 21 à 121 psi (1,5 à 8,5 kgf/cm²) sur les modèles sans filtre à eau, et de 43 à 121 psi (3 à 8,5 kgf/cm²) sur les modèles avec filtre à eau.

RACCORDEMENT DES CONDUITES D'EAU

IMPORTANT : Avant de raccorder les tubes à la conduite d'eau, débranchez le réfrigérateur de la prise ou coupez l'alimentation électrique.

- Coupez la conduite d'eau principale et ouvrez le robinet le plus proche afin de libérer la pression dans la conduite. L'ouverture d'un robinet extérieur peut faciliter le drainage de l'eau de la conduite de la maison.
- Repérez une conduite d'eau FROIDE verticale de 1/2 po à proximité du réfrigérateur.

REMARQUE : Une conduite horizontale fera aussi l'affaire, à condition cependant de prendre la précaution suivante : percez sur le dessus de la conduite et non en dessous. Ceci contribuera à éloigner l'eau de la perceuse et à empêcher les sédiments de s'accumuler dans le robinet d'arrêt.

- Pour déterminer la longueur du tube de cuivre qu'il vous faut, mesurez la distance entre le raccord du réfrigérateur (situé dans la partie inférieure gauche à l'arrière du réfrigérateur) et la conduite d'eau. Ajoutez 7 pi (2,1 m) pour être en mesure de déplacer le réfrigérateur lors du nettoyage. Utilisez un tube de cuivre d'un diamètre extérieur de 1/4 po. Assurez-vous que les deux extrémités du tube sont coupées à angle droit.
- À l'aide d'une perceuse, percez un trou de 1/4 po dans la conduite d'eau froide que vous avez repérée.

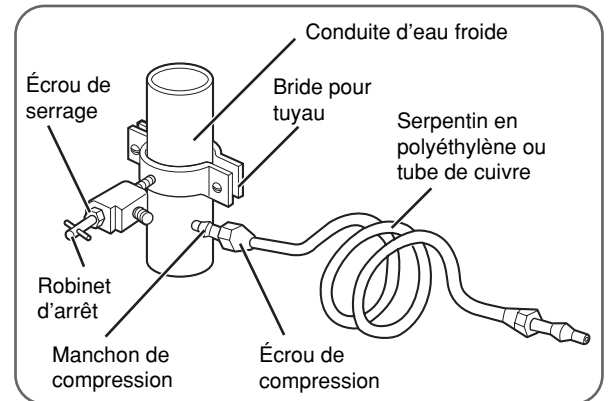
RACCORDEMENT DES CONDUITES D'EAU (SUITE)

- Fixez le robinet d'arrêt sur la conduite d'eau froide à l'aide de la bride pour tuyau. Assurez-vous que le raccord du robinet est bien inséré dans le trou de 1/4 po qui a été percé dans la conduite d'eau et que la rondelle d'étanchéité se trouve sous la bride. Serrez l'é crou de serrage.

Ensuite, serrez uniformément et avec soin les vis de la bride afin que la rondelle forme un joint bien étanche. Ne serrez pas trop car vous pourriez écraser le tube de cuivre, en particulier s'il s'agit d'un serpentin souple. Vous êtes maintenant prêt à raccorder le tube de cuivre.

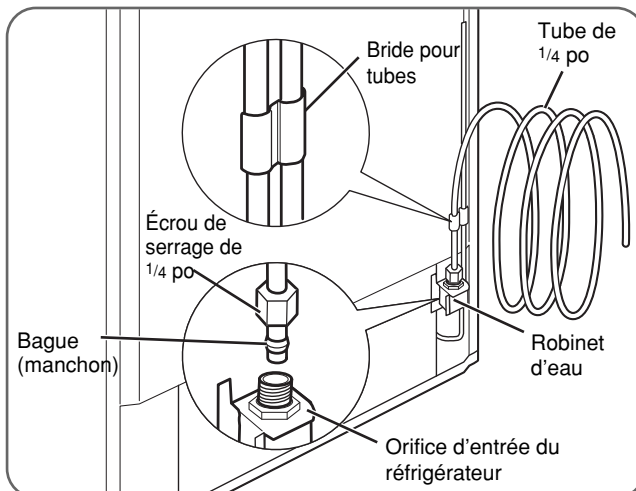
- Glissez le manchon et l'é crou à compression sur le tube de cuivre, comme illustré. Insérez en ligne droite et aussi loin que possible l'extrémité du tube dans l'orifice de sortie du robinet. À l'aide d'une clé, vissez l'é crou de compression sur l'orifice de sortie. Une clé polygonale ouverte est l'idéal, mais une clé à fourche fera l'affaire. Ne serrez pas à l'excès.

- Placez l'extrémité libre du tube dans un contenant ou un évier, puis rétablissez l'alimentation d'eau dans la conduite principale. Rincez le tube jusqu'à l'obtention d'une eau claire. Fermez le robinet d'arrêt sur la conduite d'eau. Enroulez le tube de cuivre comme illustré ci-dessous.



IMPORTANT : Avant de raccorder le tube au réfrigérateur, assurez-vous que le cordon du réfrigérateur n'est pas branché dans la prise murale.

REMARQUE : Un filtre externe est proscrit si votre réfrigérateur est déjà équipé d'un filtre intégré.



- Retirez le capuchon flexible en plastique du robinet d'eau.
- Placez l'é crou de serrage et la bague sur l'extrémité du tube, comme illustré.

- Insérez aussi loin que possible l'extrémité du tube de cuivre dans l'orifice de sortie. Serrez le raccord tout en tenant le tube.

IMPORTANT : Serrez tout raccordement où une fuite est détectée. Ouvrez l'eau au niveau du robinet d'arrêt.

- Branchez le réfrigérateur dans la prise.
- Disposez le tube de cuivre à l'arrière du réfrigérateur de manière à ce qu'il ne vibre pas contre le mur ou le réfrigérateur.
- Vérifiez la présence de fuites.
- Avant de raccorder la conduite d'eau sur la maison, vidanger la conduite d'eau pendant deux minutes.

REMARQUE : L'écoulement de l'eau peut prendre quelques secondes pour laisser le réservoir se remplir et l'air s'expulser des conduites.

- Poussez le réfrigérateur contre le mur.
- Mettre l'interrupteur de la machine à glaçons à la position ON (Marche).

REMARQUE : La machine à glaçons devra atteindre 15°F (-9°C) pour commencer à fonctionner. Le démarrage se fera alors automatiquement.

REMARQUE : Jetez les premiers lots de glaçons (environ 20 glaçons).

MISE À NIVEAU DES PORTES DU RÉFRIGÉRATEUR

⚠️ AVERTISSEMENT

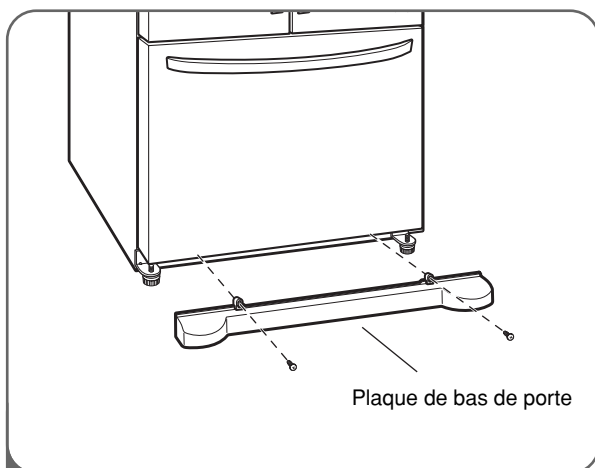
Risque d'électrocution

- Soyez prudent lorsque vous travaillez avec la charnière, la grille basale, ou la butée. Vous pourriez vous blesser.
- Ne mettez pas les mains, les pieds ni de pièces métalliques dans les événements, dans la grille, ou dans le bas du réfrigérateur. Vous pourriez vous blesser ou subir un choc électrique.

Nivellement

Une fois installé, sécurisez l'appareil à l'aide de la JAMBE pour éviter qu'il ne bouge.

Votre réfrigérateur est doté de deux pattes de nivellement frontales, l'une à gauche et l'autre à droite. Réglez les pattes pour corriger le balancement d'avant en arrière ou d'un côté à l'autre. Si votre réfrigérateur semble instable ou si vous voulez que les portes ferment plus facilement, ajustez l'inclinaison du réfrigérateur en utilisant les instructions suivantes:



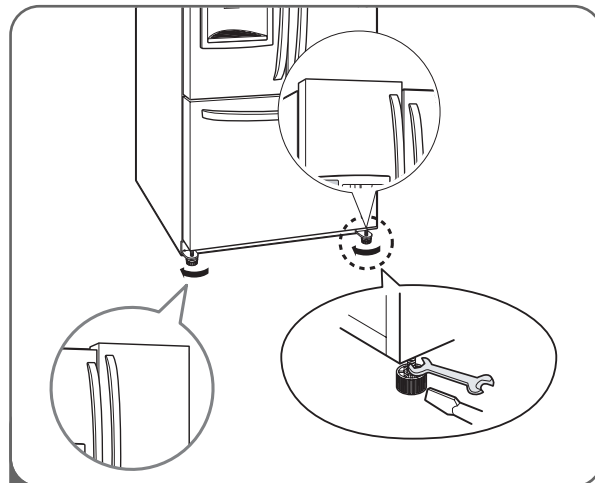
- 1 Branchez le cordon électrique dans une prise trifilaire à contact de mise à la terre et déplacez le réfrigérateur à sa position finale. Enlevez les vis de la plaque de bas de porte, puis la plaque.

- Ouvrez le tiroir du congélateur.
- Une fois ouvert, vous disposez de suffisamment d'espace pour enlever les vis sur le dessus de la plaque de bas de porte.

REMARQUE : Pour replacer la plaque, mettez-la en position, insérez les vis puis serrez.

⚠️ MISE EN GARDE

- Afin d'éviter tout risque de blessures ou de dommages au produit ou à la propriété, deux personnes seront nécessaires pour exécuter les instructions suivantes.



- 2 Nivelez le réfrigérateur en employant une clé, 11/16 pouces (18mm) ou un tournevis plat, augmentez (dans le sens des aiguilles d'une montre) ou diminuez (dans le sens contraire aux aiguilles d'une montre) la hauteur du pied de nivellement gauche/droit pour niveler le réfrigérateur.

REMARQUE : Une poussée vers l'arrière sur le dessus du réfrigérateur enlève du poids sur les pattes de nivellement et facilite ainsi leur réglage.

REMARQUE : Ouvrez les deux portes pour vous assurer qu'elles se referment aisément. Sinon, vissez encore les deux pattes de nivellement dans la même proportion et dans le sens horaire pour accroître la hauteur.

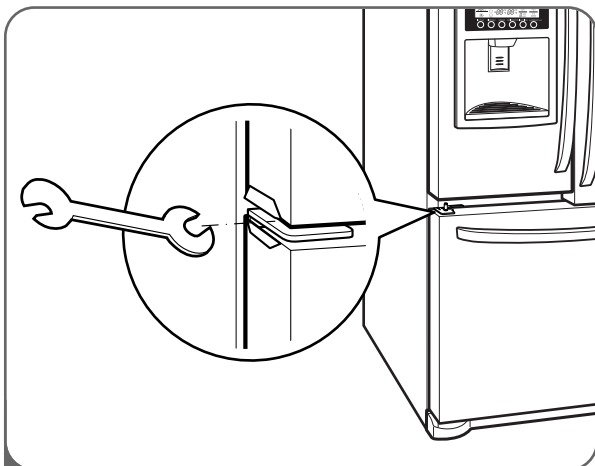
Une fois le réfrigérateur de niveau, remplacez la plaque de bas de porte.

REMARQUE : Le compartiment réfrigérateur de votre nouvel électroménager présente un design exclusif à deux portes. Chacune peut s'ouvrir ou se fermer indépendamment. Vous devrez exercer une légère pression sur les portes pour les fermer complètement.

REMARQUE : Pour éviter que le réfrigérateur ne bouge, fixez-le au sol en vissant ou en dévissant les pieds avant de l'utiliser.

NIVELLEMENT DES PORTES DU RÉFRIGÉRATEUR (SUITE)

ALIGNEMENT DES PORTES



- 1 • Enlevez la grille inférieure.
 - À l'aide d'un tournevis plat ou bien une pince de 11/32", dévissez les pieds de mise à niveau pour soulever l'avant de l'appareil ou bien vissez-les pour abaisser l'avant du réfrigérateur
 - Utilisez une clé (rattachée au Mode d'emploi) pour ajuster le boulon dans la charnière de la porte pour ajuster la hauteur. (CCW pour rehausser ou CW pour baisser la hauteur)

DÉMARRAGE

Avant de placer des aliments frais dans votre réfrigérateur :

- Enlevez le ruban adhésif et toute étiquette temporaire avant d'utiliser le réfrigérateur. Pour faire partir les résidus de colle, frottez vivement la surface collante avec le pouce, ou frottez avec les doigts en ajoutant du liquide à vaisselle. Essuyez ensuite avec de l'eau chaude puis asséchez. N'utilisez pas d'outils coupants, d'alcool à friction, de liquides inflammables, ni de nettoyants abrasifs pour enlever le ruban adhésif ou la colle.

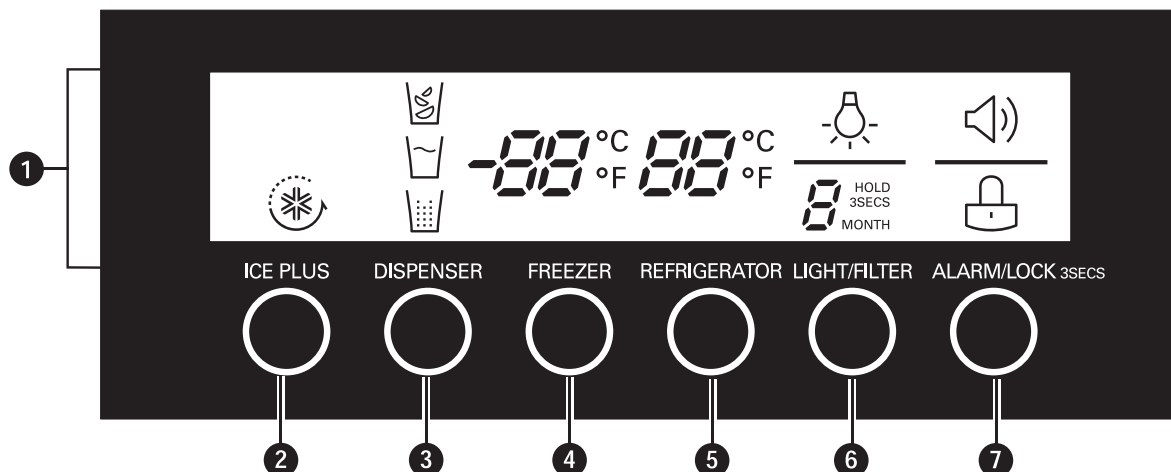
REMARQUE : N'enlevez pas les étiquettes d'avertissement ou de mise en garde, celles qui affichent les numéros de modèle et de série, ni les fiches techniques fixées à l'arrière du réfrigérateur.

- Nettoyez votre réfrigérateur à fond et essuyez toute la poussière qui a pu se déposer pendant le transport.
- Installez les accessoires comme le bac à glaçons, les tiroirs et les étagères à leurs emplacements prévus. Ils sont emballés ensemble pour prévenir les dommages durant le transport.
- Réglez selon vos besoins les températures du réfrigérateur et du congélateur (voir la section Réglage des températures et des fonctions).
- Laissez votre réfrigérateur fonctionner pendant au moins 2 ou 3 heures avant d'y placer des aliments. Vérifiez la circulation d'air froid dans le compartiment congélateur pour vous assurer que le refroidissement est adéquat. Votre réfrigérateur est maintenant prêt à servir.

UTILISATION DU RÉFRIGÉRATEUR

FONCTIONS DU PANNEAU DE COMMANDE

Pour une description détaillée des fonctions des touches, consultez les pages 66 à 68.



1 AFFICHEUR DEL

L'afficheur ACL/DEL indique les réglages de température, les options du distributeur, ainsi que les messages d'état du filtre à eau, de l'alarme porte, et du dispositif de verrouillage.

2 TOUCHE ICE PLUS (GLACE PLUS)

Appuyez sur ce bouton pour activer la fonction ICE PLUS qui augmente la capacité de création de glace d'environ 20%.

REMARQUE : Lorsque cette touche est enfoncée simultanément avec la touche FREEZER (Congélateur) pendant cinq secondes, le mode d'économie d'énergie de l'afficheur allume puis éteint cette fonction en alternance.

3 TOUCHE DISPENSER (DISTRIBUTEUR)

La touche DISPENSER (Distributeur) sert à sélectionner l'une des options suivantes : Cubed Ice (Glaçons), Water (Eau), ou Crushed Ice (Glace broyée).

4 TOUCHE FREEZER (CONGÉLATEUR)

Appuyez sur le bouton FREEZER pour régler la température du compartiment réfrigération.

REMARQUE : Lorsque cette touche est enfoncée simultanément avec la touche REFRIGERATOR (Réfrigérateur) pendant plus de cinq secondes, l'affichage de la température passe de Fahrenheit à Celsius ou inversement. Lorsque cette touche est enfoncée simultanément avec la touche ICE PLUS (Glace plus) pendant cinq secondes, le mode d'é

conomie d'énergie de l'afficheur s'allume puis s'éteint en alternance.

5 TOUCHE REFRIGERATOR (RÉFRIGÉRATEUR)

Pressez la touche REFRIGERATOR (Réfrigérateur) pour régler la température du compartiment réfrigérateur.

REMARQUE : Lorsque cette touche est enfoncée simultanément avec la touche FREEZER (Congélateur) pendant plus de cinq secondes, l'affichage de la température passe de Fahrenheit à Celsius ou inversement.

6 TOUCHE LIGHT/FILTER (LAMPE/FILTRE)

La touche LIGHT/FILTER (Lampe/Filtre) contrôle la lampe du distributeur et réinitialise l'indicateur de remplacement du filtre à eau quand le filtre est remplacé.

7 TOUCHE ALARM/LOCK (ALARME/VERROUILLAGE)

Pressez cette touche pour contrôler l'alarme d'ouverture de porte ou pour verrouiller ou déverrouiller toutes les autres touches de fonction du panneau de commande, y compris la commande du distributeur.

UTILISATION DU RÉFRIGÉRATEUR

L'AFFICHEUR DEL

L'afficheur DEL indique les réglages de température, les options du distributeur, ainsi que les messages d'état du filtre à eau, de l'alarme de porte, et du dispositif de verrouillage.

1 FONCTION ICE PLUS (GLACE PLUS)

L'enfoncement de la touche ICE PLUS (Glace plus) signale sur l'afficheur l'activation de la fonction sélectionnée.

2 INDICATEURS DE SÉLECTION DU DISTRIBUTEUR

Affiche l'élément qui sera distribué lorsque l'interrupteur à poussoir sera enfoncé: Crushed Ice (Glace broyée), Water (Eau), ou Cubed Ice (Glaçons).

3 TEMPÉRATURE DU CONGÉLATEUR

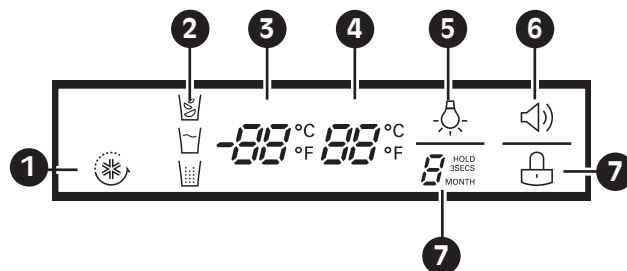
Indique le réglage de température du compartiment congélateur en Celsius ou Fahrenheit.

4 TEMPÉRATURE DU RÉFRIGÉRATEUR

Indique le réglage de température du compartiment réfrigérateur en Celsius ou Fahrenheit.

5 INDICATEUR DE LAMPE DU DISTRIBUTEUR

S'affiche quand la lampe du distributeur est allumée ou réglée pour l'allumage automatique (sur certains modèles).



6 INDICATEUR D'ALARME DE PORTE

Signale l'activation de l'alarme de porte ouverte.

7 ÉTAT DU VERROUILLAGE

Affiche le mot LOCK (Verrouillage) lorsque les fonctions du panneau de commande sont verrouillées.

8 ÉTAT DU FILTRE À EAU

Affiche l'état actuel du filtre à eau. Voir la section Réinitialisation de l'indicateur du filtre.

UTILISATION DU RÉFRIGÉRATEUR

RÉGLAGE DES TEMPÉRATURES ET DE L’AFFICHAGE

Réglage de la température du réfrigérateur

Pour régler la température du compartiment réfrigérateur, pressez la touche REFRIGERATOR (Réfrigérateur) pour faire défiler la plage des températures.



REMARQUE : La température interne réelle varie selon l'état des aliments, puisque c'est la température ciblée qui est affichée et non la température réelle à l'intérieur du réfrigérateur. Réglez d'abord la COMMANDE de température du compartiment RÉFRIGÉRATEUR à 37°F (3°C). Laissez le réfrigérateur se stabiliser à cette température pendant 24 heures (une journée). Puis réglez la température du compartiment réfrigérateur comme illustré ci-dessus.

Mode d'économie d'énergie de l'afficheur

Cette fonction fait passer l'afficheur en mode d'économie d'énergie.



- Pressez simultanément les touches FREEZER (Congélateur) et ICE PLUS (Glace plus) et maintenez la pression pendant 5 secondes jusqu'au retentissement d'un signal.
- Tous les indicateurs DEL vont s'allumer puis s'éteindre.
- Lorsque le mode d'économie d'énergie est activé, l'afficheur demeure éteint jusqu'à la prochaine ouverture de porte ou pression d'une touche quelconque, auxquels cas il demeurera allumé pendant 20 secondes avant de s'éteindre à nouveau.
- Pour désactiver le mode d'économie d'énergie, pressez les touches FREEZER (Congélateur) et ICE PLUS (Glace plus) simultanément et maintenez la pression pendant 5 secondes jusqu'au retentissement d'un signal.

Réglage de la température du congélateur

Pour régler la température du compartiment congélateur, pressez la touche FREEZER (Congélateur) pour faire défiler la plage des températures.



Réglez d'abord la COMMANDE de température du compartiment CONGÉLATEUR à 0°F (-18°C).

Laissez le congélateur se stabiliser à cette température pendant 24 heures (une journée).

Puis réglez la température du compartiment congélateur comme illustré ci-dessus.

Affichage de la température

Pour faire passer l'affichage des températures de Fahrenheit à Celsius :



- Maintenez simultanément la pression sur les touches FREEZER (Congélateur) et REFRIGERATOR (Réfrigérateur) pendant plus de 5 secondes.
- Faites de même pour revenir en Fahrenheit.

UTILISATION DU RÉFRIGÉRATEUR

FONCTIONNEMENT DU DISTRIBUTEUR

Sélectionnez Crushed Ice (Glace broyée), Water (Eau), ou Cubed Ice (Glaçons), puis pressez l'interrupteur à poussoir à l'aide d'un verre ou d'un autre contenant :

DISTRIBUTION DE GLACE BROYÉE



Pressez la touche DISPENSER (Distributeur) pour allumer l'icône de la glace broyée. Pressez l'interrupteur à poussoir avec un verre ou un autre contenant pour y verser la glace broyée.



COMMANDE DE LA LAMPE DU DISTRIBUTEUR



Pressez la touche LIGHT/FILTER (Lampe/Filtre) pour allumer ou éteindre la lampe du distributeur.



DISTRIBUTION D'EAU



Pressez la touche DISPENSER (Distributeur) pour allumer l'icône de l'eau. Pressez l'interrupteur à poussoir avec un verre ou un autre contenant pour y verser de l'eau froide.



DISTRIBUTION DE GLAÇONS



Pressez la touche DISPENSER (Distributeur) pour allumer l'icône des glaçons. Pressez l'interrupteur à poussoir avec un verre ou un autre contenant pour y verser des glaçons.



REMARQUE : Tenez le verre ou un autre contenant en place pendant quelques secondes après la distribution d'eau ou de glace pour récupérer les dernières gouttes ou glaçons. Le distributeur est conçu pour cesser de fonctionner lorsque la porte du réfrigérateur est ouverte.

UTILISATION DU RÉFRIGÉRATEUR

RÉGLAGE DES FONCTIONS

Pressez la touche de la fonction désirée pour afficher et sélectionner d'autres réglages.

REMARQUE : Certaines fonctions ne sont pas disponibles sur tous les modèles.

RÉGLAGE DU VERROUILLAGE DU DISTRIBUTEUR



Maintenez une pression sur la touche ALARM/LOCK (Alarme/Verrouillage) pendant 3 secondes pour verrouiller le distributeur et toutes les autres fonctions du panneau de commande. Maintenez à nouveau une pression pendant 3 secondes pour déverrouiller.



RÉGLAGE DE L'ALARME DE PORTE



La touche ALARM/LOCK (Alarme/Verrouillage) commande aussi l'alarme de porte qui se fait entendre trois fois à intervalles de 30 secondes lorsque la porte d'un compartiment reste ouverte pendant plus de 60 secondes. La sonnerie d'alarme arrête dès que la porte est refermée. Pressez la touche ALARM/LOCK (Alarme/Verrouillage) une fois pour activer ou désactiver la fonction d'alarme de porte.



REMARQUE : Communiquez avec votre centre de service local si la sonnerie d'alarme se poursuit malgré la fermeture des portes.

RÉGLAGE DE L'INDICATEUR DE FILTRE



Maintenez une pression sur la touche LIGHT/FILTER (Lampe/Filtre) pendant plus de 3 secondes pour réinitialiser l'indicateur de filtre après le remplacement du filtre à eau.



REMARQUE : Il est recommandé de remplacer le filtre lorsque l'indicateur de filtre atteint 0 ou lorsque le distributeur d'eau ou la machine à glaçons diminuent sensiblement leur production.

ACTIVATION DE LA FONCTION ICE PLUS (Glace plus)



Pressez la touche ICE PLUS (Glace plus) une fois pour activer cette fonction. L'icône de la fonction s'allumera alors sur l'afficheur. La fonction Ice Plus fait fonctionner le congélateur à sa température maximum pendant 24 heures pour augmenter jusqu'à 20% la production de glace. Cette fonction s'arrête automatiquement.



REMARQUE: Pressez la touche une deuxième fois pour annuler la fonction Ice Plus (Glace plus).

FONCTION DE DIAGNOSTIC DES PROBLÈMES

La fonction de diagnostic détecte automatiquement les problèmes de votre réfrigérateur en faisant apparaître un code de diagnostic sur l'afficheur.

REMARQUE : Si un code de diagnostic apparaît sur l'afficheur, prenez le code en note, composez le **1-800-243-0000** (24 heures par jour/7 jours par semaine), puis choisissez l'option de localisation d'un centre de service autorisé.

UTILISATION DU RÉFRIGÉRATEUR

BAC A GLACE DE PORTE

⚠ MISE EN GARDE

- Maintenez les mains et les outils à distance du bac à glace et de l'orifice du distributeur. Vous pourriez casser quelque chose ou vous blesser.

La machine à glace s'arrête de produire de la glace lorsque le bac à glace est plein.

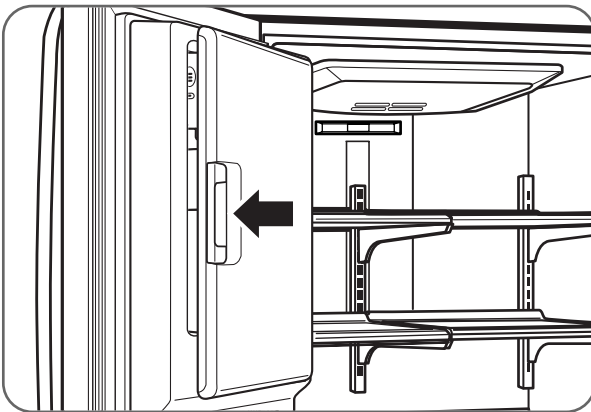
Si vous avez besoin de plus de glace, videz le bac à glace dans le bac à glace supplémentaire du compartiment du congélateur pour permettre à la machine à glace de produire plus de glace.

Secouez parfois le bac à glace pour égaliser le niveau. Parfois, la glace s'accumule dans la machine, et la quantité de glace produite est alors mal estimée et la production de glace s'arrête.

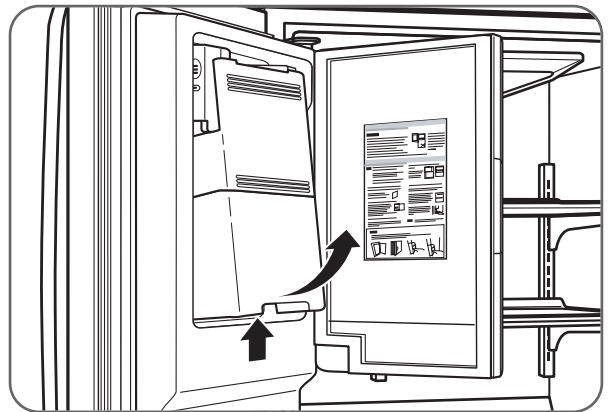
REMARQUE : Le stockage de canettes ou autre dans le bac à glace peut endommager la machine à glace.

Si la porte du bac à glace n'est pas fermée fermement, l'air froid dans le bac à glace pourrait geler dans le compartiment du réfrigérateur. En conséquence, la machine à glace pourrait ne pas produire de glace.

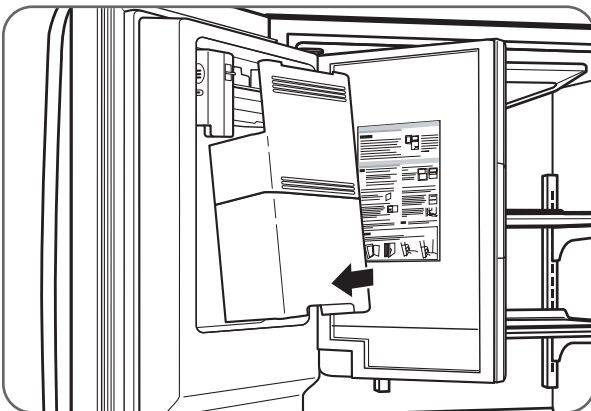
REMARQUE : Pour bien garder l'icemaker dans le cas d'une non utilisation, videz la boîte de glace quand l'icemaker est éteint pour plus que quelques heures.



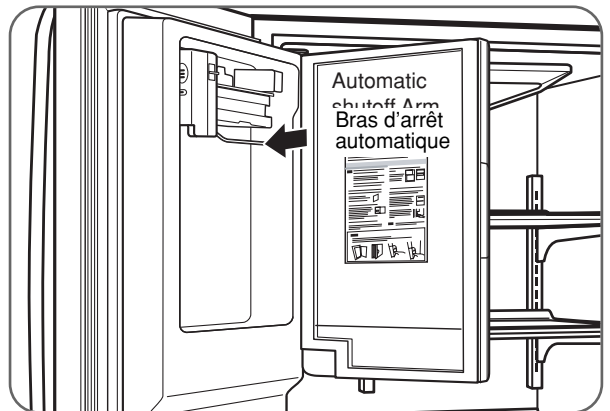
Poussez fermement le verrou à l'endroit indiqué pour fermer la porte du bac à glace ; il est complètement fermé au son clic.



Pour retirer le bac à glace de porte, agrippez la poignée avant, et tirez doucement sur le bac à glace comme indiqué.



Pour réinstaller le bac à glace de porte, inclinez légèrement le bac au cours du remplacement afin d'éviter tout contact avec la machine à glace.



Évitez de toucher le bras de fermeture automatique lors du remplacement du bac. Reportez-vous à l'étiquette située sur le bac à glace pour plus de détails.

UTILISATION DU RÉFRIGÉRATEUR

MACHINE À GLAÇONS AUTOMATIQUE

La glace est produite dans la machine à glaçons automatique puis acheminée au distributeur. La machine peut produire 6 glaçons à la fois et de 80 à 130 glaçons sur une période de 24 heures.

Cette quantité peut varier selon divers facteurs, notamment la température ambiante, l'ouverture des portes, le contenu du congélateur, et d'autres conditions de fonctionnement.

- Un réfrigérateur nouvellement installé prend de 12 à 24 heures pour produire de la glace.
- La production de glace cesse lorsque le bac à glace est plein.
- Pour éteindre cet appareil automatique à glaçons, mettre l'interrupteur sur OFF (O). Pour allumer cet appareil automatique à glaçons, mettre l'interrupteur sur ON (I).
- Vous pouvez régler la taille du glaçon en pressant le Bouton de sélection de quantité d'eau
- Vous pouvez choisir la taille en appuyant sur le bouton de sélection de la taille des glaçons.

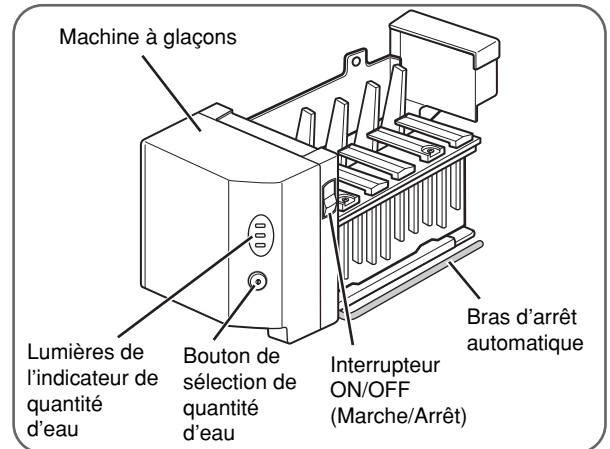
REMARQUE : Il est normal d'entendre un bruit lorsque les glaçons tombent dans le bac.

- La valve d'eau marche même si le tuyau d'eau n'est pas connecté et le Distributeur de glaçons est en marche. Le bruit est produit parce que le conduit d'eau n'est pas relié, ce qui ne signifie pas que la machine à glaçons est en panne.

⚠ AVERTISSEMENT

Risque de blessures corporelles

- Évitez de toucher à l'élément chauffant ou aux pièces mobiles du mécanisme d'éjection de la machine à glaçons.
- NE mettez PAS les doigts ou les mains dans le mécanisme de la machine à glaçons automatique si le réfrigérateur est branché.



REMARQUE : Le soulèvement du bras d'arrêt automatique n'interrompt pas le fonctionnement de la machine à glaçons.

⚠ MISE EN GARDE

- La première production de glace et d'eau peut contenir des particules ou des odeurs provenant de la conduite d'eau ou du réservoir.
- Jetez les premiers lots de glace (environ vingt glaçons) et purgez pendant 2 minutes après l'installation du réfrigérateur.
- Cette précaution s'impose également si le réfrigérateur n'a pas servi depuis longtemps.
- Ne stockez jamais de canettes ou autre nourriture dans le bac à glace afin de les refroidir plus rapidement. Vous endommageriez la machine à glace, ou les contenants pourraient éclater.
- Si la couleur de la glace est douteuse, vérifiez le filtre à eau et l'alimentation d'eau. Si le problème persiste, communiquez avec un centre de service autorisé. N'utilisez pas de glace ni d'eau tant que le problème n'est pas corrigé.
- Gardez les enfants à l'écart du distributeur. N'autorisez pas les enfants à jouer autour du distributeur.
- Le givre peut aussi obstruer le passage de la glace si l'on utilise uniquement de la glace broyée. Enlevez le givre qui s'accumule à cet endroit.
- N'utilisez jamais de la verrerie de cristal ou de la vaisselle fragiles pour recueillir la glace. Ces contenants sont susceptibles de se briser et des éclats peuvent se retrouver dans la glace.
- Mettez d'abord la glace dans le verre avant de le remplir d'eau ou d'une autre boisson. La glace risque de vous éclabousser si du liquide s'y trouve déjà.
- N'utilisez jamais un verre très étroit ou profond. La glace peut se coincer, obstruer le passage et affecter le fonctionnement du réfrigérateur.
- Gardez le verre à une distance saine du bec verseur. Une distance trop courte peut empêcher la glace de tomber.
- Pour prévenir les blessures corporelles, gardez les mains à l'écart de la porte et du passage de la glace.
- N'enlevez jamais le couvercle de la machine à glaçons.
- Si vous constatez que l'eau ou la glace est distribuée d'une façon imprévue, communiquez avec un centre de service autorisé. Composez le **1-800-243-0000** (24 heures par jour/7 jours par semaine), puis choisissez l'option de localisation d'un centre de service autorisé.

UTILISATION DU RÉFRIGÉRATEUR

CONSERVATION DES ALIMENTS

- Entrez les aliments frais dans le compartiment réfrigérateur.
- La façon dont les aliments sont congelés et décongelés constitue un facteur important de préservation de la fraîcheur et de la saveur.
- N'entrez pas les aliments qui se gâtent facilement, tels les bananes et melons, à de basses températures.
- Laissez refroidir les aliments chauds avant de les entreposer, sinon ils présentent un risque de gâter les autres aliments et d'augmenter la consommation d'électricité.
- Recouvrez les aliments que vous entreposez d'une pellicule de plastique ou placez-les dans un contenant muni d'un couvercle. En empêchant ainsi l'humidité de s'évaporer, les aliments conserveront davantage leur saveur et leur valeur nutritive.
- Ne bloquez pas les ouvertures d'aération avec des aliments ou des contenants. La libre circulation d'air froid contribue à uniformiser la température.
- N'ouvrez pas les portes trop fréquemment. L'ouverture des portes fait pénétrer de l'air chaud dans les compartiments réfrigérateur et congélateur et entraîne ainsi une élévation de la température.
- Ne surchargez jamais les balconnets de contre-porte, car les articles risquent de percuter les clayettes à l'intérieur et ainsi empêcher les portes de fermer correctement.

Compartiment congélateur

- N'entrez pas de bouteilles de verre dans le compartiment congélateur puisque le verre risque d'éclater quand le contenu gèle.
- Ne recongelez pas les aliments décongelés car une perte de saveur et de valeurs nutritives s'en suivrait.
- Ne touchez pas avec les mains mouillées aux contenants froids, en particulier s'ils sont faits de métal, ni aux aliments congelés; ne placez pas d'articles en verre dans le compartiment congélateur.
- Ne vous servez pas du casier à oeufs comme d'un bac à glace dans le congélateur, la boîte à oeufs casse facilement si elle gèle.

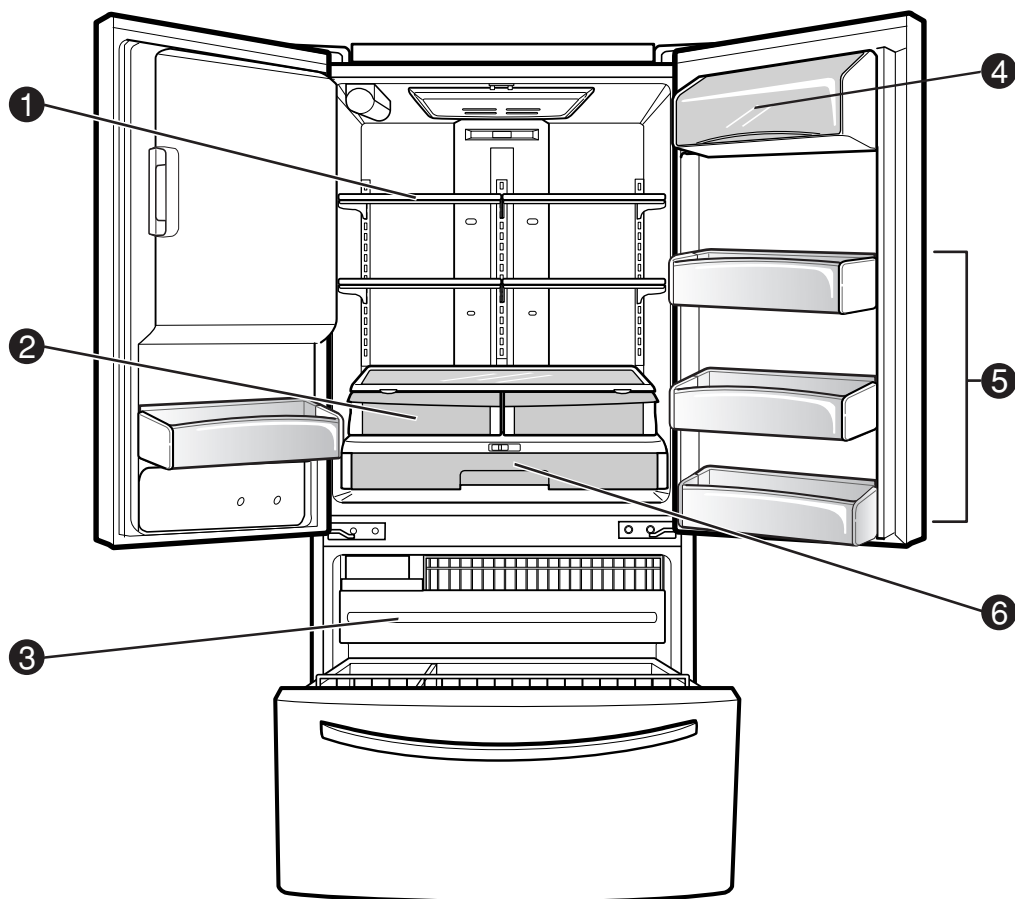
Compartiment réfrigérateur

- Évitez de placer des aliments humides sur les clayettes supérieures du réfrigérateur; ces aliments pourraient geler au contact direct de l'air froid.
- Lavez toujours les aliments avant de les réfrigérer. Lavez et essuyez les légumes et les fruits et essuyez les aliments emballés pour éviter de gâter les aliments adjacents.

REMARQUE : Si le réfrigérateur est situé dans un endroit chaud et humide, l'ouverture fréquente des portes ou l'entreposage d'une grande quantité de légumes entraînera la formation de condensation. Essuyez cette condensation à l'aide d'un linge propre ou d'une serviette de papier.

UTILISATION DU RÉFRIGÉRATEUR

RANGEMENT DES ALIMENTS



1 CLAYETTE DU COMPARTIMENT CONGÉLATEUR

Reçoit les aliments, plats, et contenants plus volumineux sur les clayettes réglables du compartiment réfrigérateur.

2 BAC À LÉGUMES

Reçoit des fruits et légumes, avec contrôle de l'humidité.

3 TIROIR DU COMPARTIMENT CONGÉLATEUR

Reçoit les aliments congelés en petits emballages ainsi que la viande, le poisson, et la volaille une fois qu'ils ont été enveloppés dans une mince feuille d'aluminium. Entrez-les à l'état sec.

4 BALCONNET DES PRODUITS LAITIERS

Reçoit des produits laitiers comme le beurre et le fromage.

5 BALCONNETS MODULAIRES DU COMPARTIMENT RÉFRIGÉRATEUR

Reçoivent des petits emballages et breuvages tels que condiments, sauces pour salade, aliments pour bébés, lait et jus.

6 GLIDE'N'SERVE (GLISSEZ ET SERVEZ)

Fournit un espace de stockage avec un contrôle de température variable qui permet de disposer d'un compartiment plus froid que le reste du réfrigérateur.

UTILISATION DU RÉFRIGÉRATEUR

RÉGLAGE DE LA HAUTEUR DES CLAYETTES

Les clayettes de votre réfrigérateur sont réglables afin de s'adapter à vos besoins.

Le rangement d'articles similaires au même endroit et le réglage en hauteur des clayettes faciliteront le repérage de l'article particulier dont vous avez besoin et réduiront le temps d'ouverture des portes, abaissant ainsi votre consommation d'énergie.

IMPORTANT : Ne nettoyez pas les clayettes en verre avec de l'eau chaude lorsqu'elles sont froides.

Elles pourraient se briser suite à un brusque changement de température ou un impact, par exemple en s'y cognant. Pour votre protection, ces clayettes sont faites de verre trempé qui se brisera en petits morceaux de la taille d'un caillou.

REMARQUE : Les clayettes en verre sont lourdes. Retirez-les avec précaution pour éviter de les échapper.

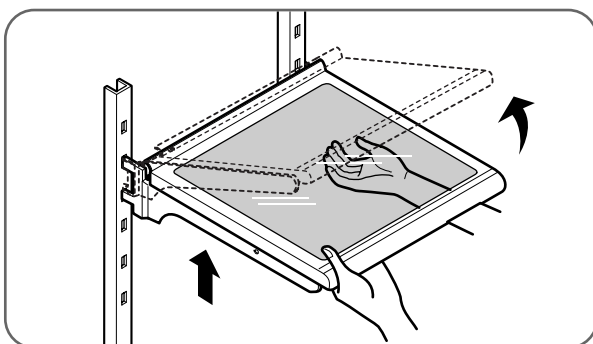
Positionnement des clayettes

Retirez les clayettes de leur position de transport et replacez-les à la position de votre choix.

⚠ MISE EN GARDE

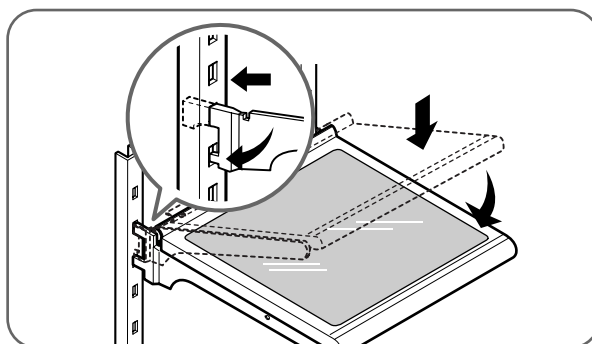
Assurez-vous que les clayettes sont à niveau d'un côté à l'autre. Négliger de le faire pourrait occasionner la chute des clayettes ou des aliments qui s'y trouvent.

Enlèvement d'une clayette



Soulevez l'avant de la clayette. Soulevez ensuite l'arrière et tirez pour la sortir.

Remise en place de la clayette



Soulevez l'avant de la clayette et placez ses crochets dans les fentes à la hauteur voulue. Abaissez ensuite l'avant de la clayette de façon à ce que les crochets tombent dans les fentes.

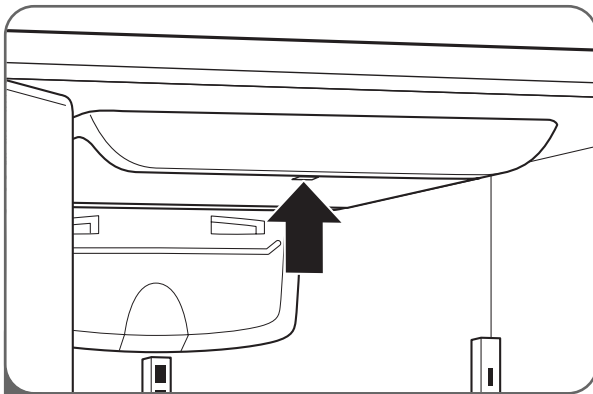
REPLACEMENT DES AMPOULES DE LAMPE

⚠ AVERTISSEMENT

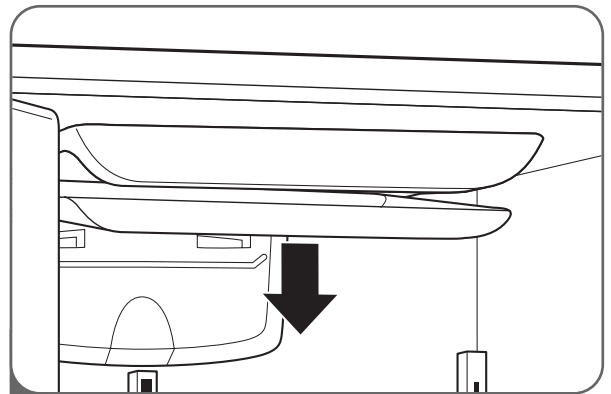
Risque d'électrocution

- Avant de remplacer une ampoule grillée, débranchez le réfrigérateur ou coupez l'alimentation au niveau du disjoncteur ou de la boîte de fusibles.

Changement des ampoules de lampe du réfrigérateur

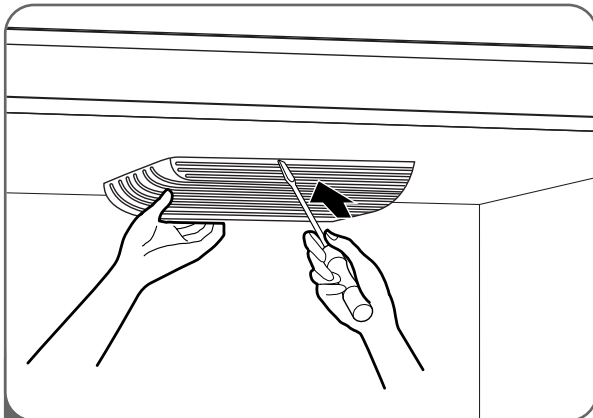


- 1 Pour enlever le couvercle de lampe, retirez la ou les clayettes supérieures. Utilisez un outil plat pour dégager délicatement le couvercle de lampe à l'avant.



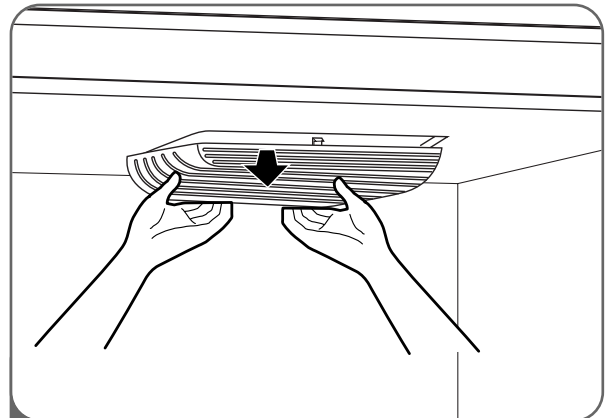
- 2 Tournez le couvercle vers le bas pour dégager les languettes arrière. Assurez-vous que les ampoules sont refroidies. Tournez les ampoules dans le sens antihoraire pour les retirer. Insérez les nouvelles ampoules. Réassemblez dans l'ordre inverse en engageant d'abord les languettes arrière du couvercle, suivies des languettes avant.

Changement de l'ampoule de lampe du congélateur



- 1 Utilisez un outil plat pour dégager délicatement le couvercle de lampe à l'avant.

REMARQUE : Il peut s'avérer nécessaire d'enlever la clayette supérieure pour accéder au couvercle de lampe.

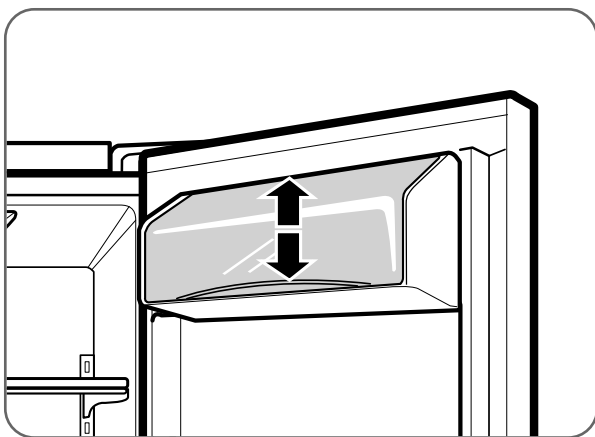


- 2 Tournez le couvercle de lampe vers le bas pour dégager les languettes arrière. Assurez-vous que l'ampoule est refroidie. Tournez l'ampoule dans le sens antihoraire pour la retirer. Insérez une nouvelle ampoule pour électroménager de 60 watts. Insérez les languettes de l'arrière du couvercle dans les fentes du plafond du congélateur. Poussez le couvercle vers le haut pour enclencher le devant en position.

ENLÈVEMENT ET REMISE EN PLACE DES COMPOSANTS

REMARQUE : Lors de la remise en place des composants, inversez l'ordre suivi pour l'enlèvement. Afin de prévenir les dommages, n'utilisez jamais de force excessive lors de l'enlèvement ou de la remise en place de composants.

Balconnet des produits laitiers



Pour enlever le balconnet des produits laitiers, vous n'avez qu'à le soulever et le tirer en ligne droite. Pour le replacer, glissez-le en place et poussez par en bas jusqu'à ce qu'il s'immobilise.

REMARQUE : Le balconnet des produits laitiers ne peut se placer que dans la zone supérieure de la contre-porte de droite.

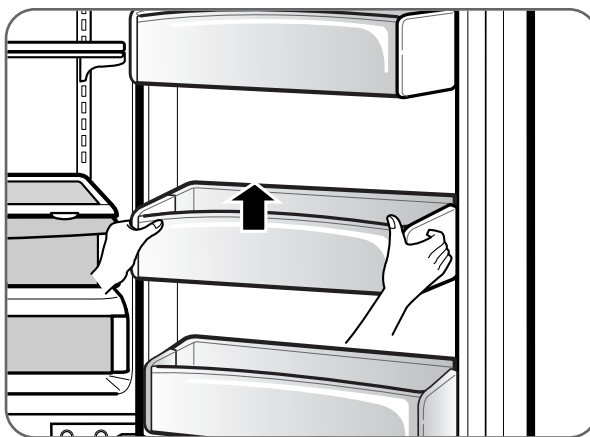
⚠ MISE EN GARDE

- Des blessures corporelles peuvent résulter de balconnets qui ne sont pas assemblés correctement.

REMARQUE : N'ajustez PAS un balconnet chargé.

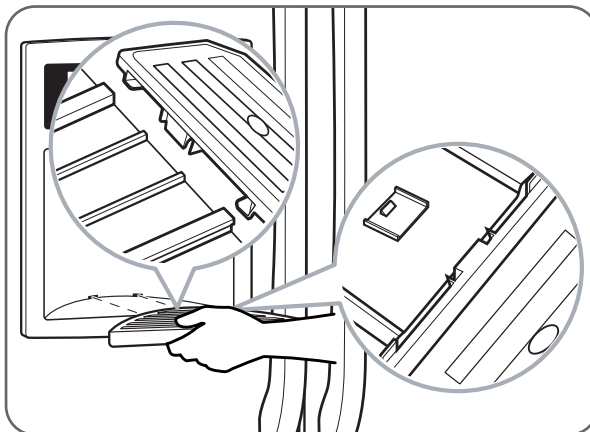
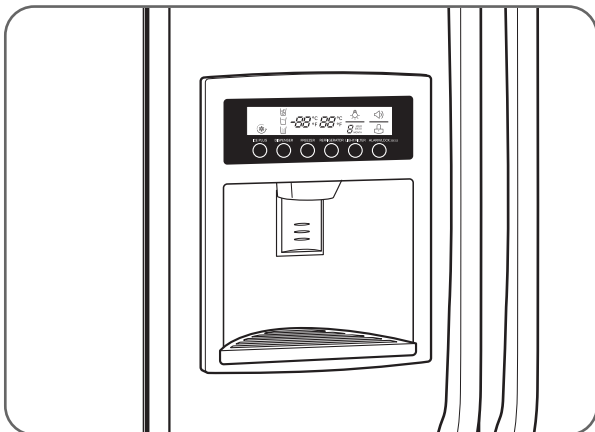
- NE permettez PAS aux enfants de jouer avec les paniers. Les coins pointus des paniers peuvent les blesser.

Balconnet modulaire



Les balconnets sont amovibles pour faciliter le nettoyage et l'ajustement. Soulevez simplement le balconnet et tirez-le en ligne droite pour l'enlever. Pour le replacer, glissez-le au-dessus du bouton de support voulu, puis poussez-le vers le bas jusqu'à ce qu'il s'immobilise.

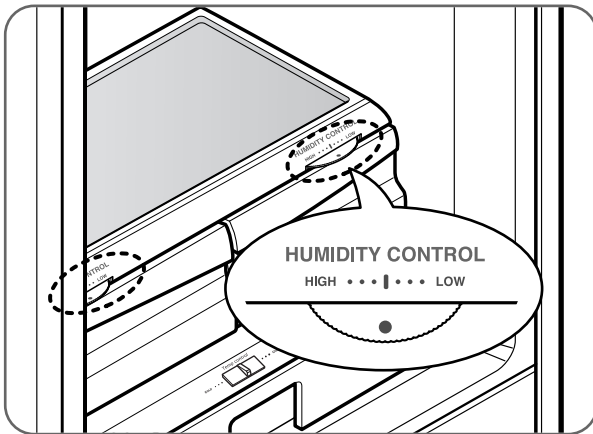
Plateau d'égouttage du distributeur



Le plateau d'é gouttage du distributeur ne se draine pas de lui-même. Il doit donc être nettoyé régulièrement. Retirez le couvercle en appuyant et tirant sur le plateau. Asséchez le plateau avec un chiffon. Pour remettre le plateau en place, penchez légèrement sa partie avant et engagez les nervures dans les orifices.

ENLÈVEMENT ET REMISE EN PLACE DES COMPOSANTS (SUITE)

Contrôle d'humidité des bacs à légumes

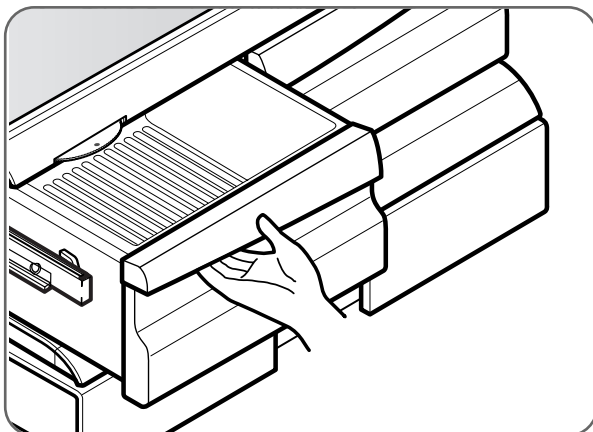


Vous pouvez contrôler le taux d'humidité dans les bacs à légumes protégés contre l'humidité. Stockez les fruits et les légumes nécessitant un taux d'humidité plus ou moins important dans des bacs à légumes séparés. Réglez le contrôle comme vous le souhaitez entre HIGH (élevé) et LOW (bas).

- LOW Enlève l'air humide du bac à légumes pour un meilleur stockage des fruits.
- HIGH Garde l'air humide dans le bac à légumes pour un meilleur stockage des légumes frais et feuillu.

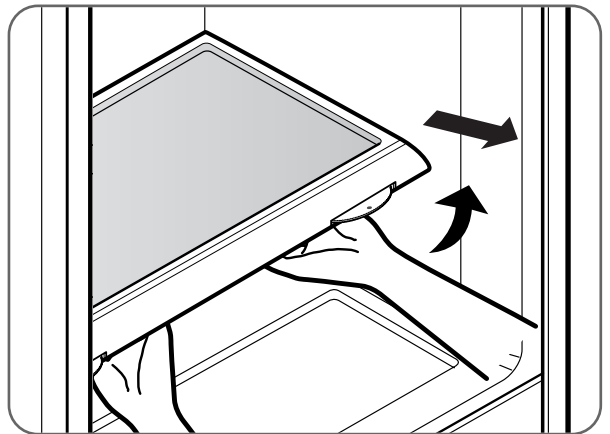
ATTENTION: La tablette de verre sur le bac à légumes n'est pas solidement installée. Faites attention au moment de l'incliner.

Enlèvement des bacs à légumes



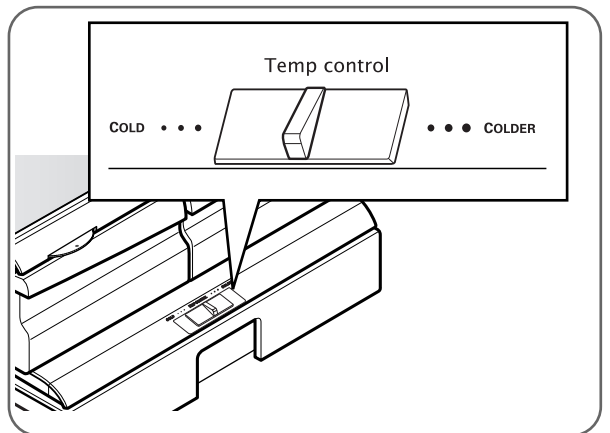
- Pour l'enlever, ouvrez complètement le tiroir.
- Levez le front du bac à légumes et retirez-le.
- Pour le replacer, inclinez à peine le front du bac à légumes, introduisez le tiroir dans le cadre et poussez-le jusqu'à la position originelle.

Pour enlever le verre



- Insérez un doigt dans le trou qui se trouve au-dessous du couvercle du bac à légumes, puis soulevez le verre.
- Tirez du verre en dehors vers le haut.

Glide'N'Serve (Glissez et servez)



Le Glide'N'Serve fournit un espace de stockage avec un contrôle de température variable qui permet de disposer d'un compartiment plus froid que le reste du réfrigérateur. Ce tiroir peut être utilisé pour les grands plateaux, la charcuterie ou les boissons. (mais ce tiroir n'est pas convenable pour les légumes.)

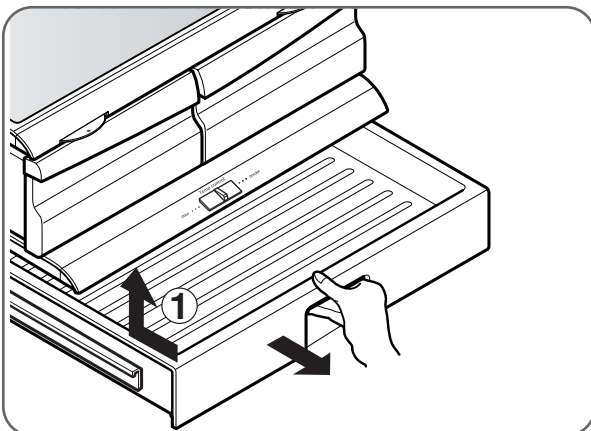
Commandes

La commande permet de régler la température d'air dans le tiroir. Réglez la commande sur COLD (imprimé sur la surface) pour obtenir une température normale, identique au réfrigérateur. Réglez sur COLDER (imprimé sur la surface) pour les viandes et autre charcuterie.

REMARQUE: L'air refroidi orienté vers le Glide'N'Serve (Glissez et servez) peut faire diminuer la température du réfrigérateur. Il pourrait alors être nécessaire de régler la commande du réfrigérateur.

ENLÈVEMENT ET REMISE EN PLACE DES COMPOSANTS (SUITE)

Pour réinstaller le Glide'N'Serve



- Pour le retirer, tirer le tiroir en totalité.
- Soulevez l'avant du tiroir, puis retirez-le tout droit.
- Pour le replacer, soulevez légèrement l'avant du tiroir et insérez-le dans l'encadrement, et poussez-le jusqu'à ce qu'il soit en place.

⚠ MISE EN GARDE

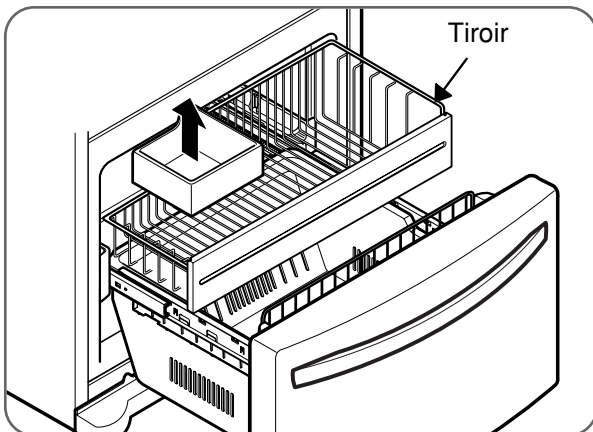
- Risque de coincement ! Gardez les mains et les pieds à l'écart du bas de la porte lors de l'ouverture et de la fermeture.

⚠ AVERTISSEMENT

Risque de piégeage des enfants

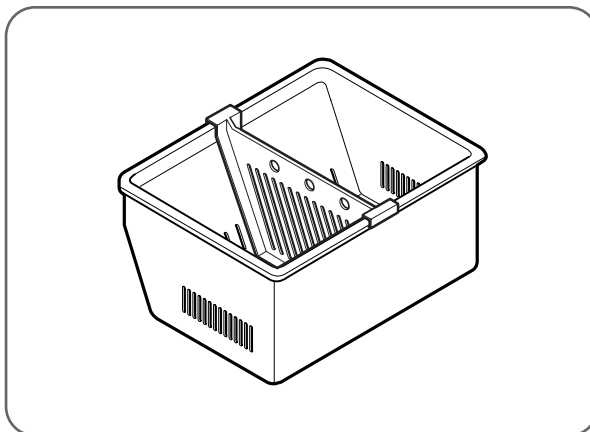
- Si le séparateur Durabase est retiré, il y a suffisamment d'espace ouvert à l'intérieur pour qu'un enfant ou des animaux se glissent à l'intérieur. Pour prévenir les risques qu'un enfant ou un animal soit coincé ou suffoque accidentellement, NE les laissez PAS jouer à l'intérieur du tiroir.

Bac à glace



Pour dégager le bac à glace, tirez le tiroir vers l'extérieur à sa pleine extension. En procédant délicatement, soulevez puis tirez le bac à glace pour le sortir. Pour le remettre en place, placez simplement le bac dans la position correcte.

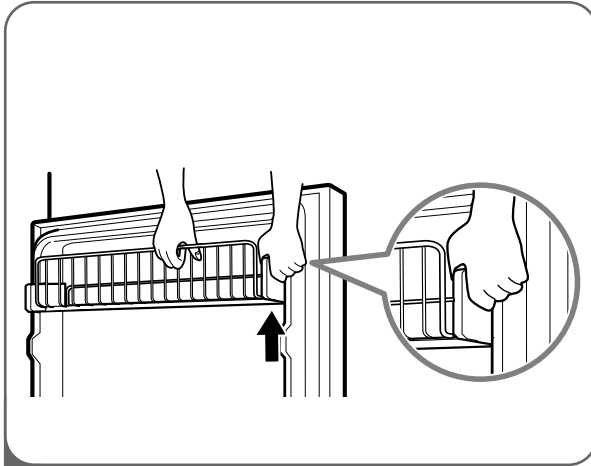
Diviseur DuraBase®



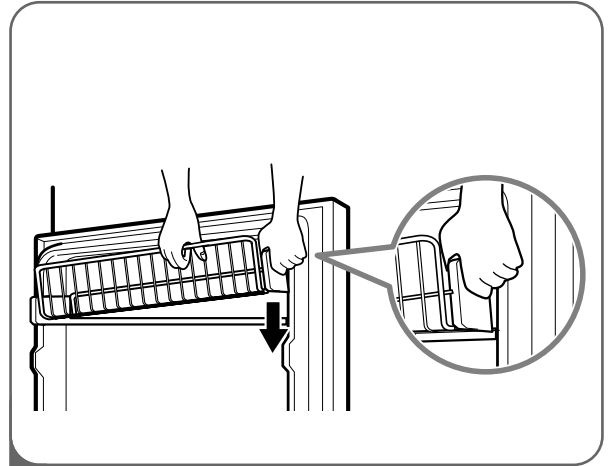
ENTRETIEN ET NETTOYAGE

ENLÈVEMENT ET REMISE EN PLACE DES COMPOSANTS (SUITE)

Panier à bascule de contre-porte



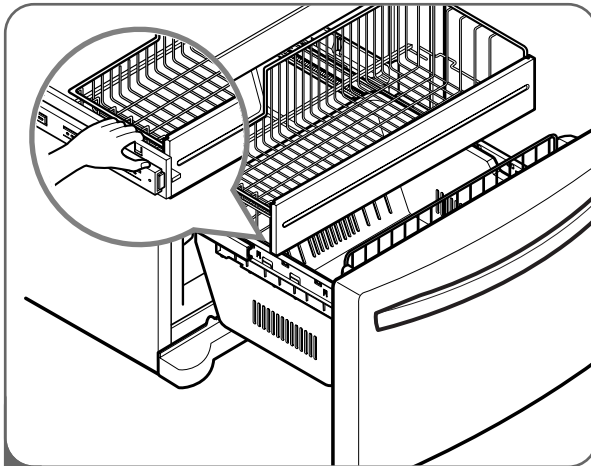
- 1 Pour enlever le panier à bascule de contre-porte, pressez le support d'extrémité vers l'intérieur, puis tirez sur le bord du panier vers le haut pour le sortir.



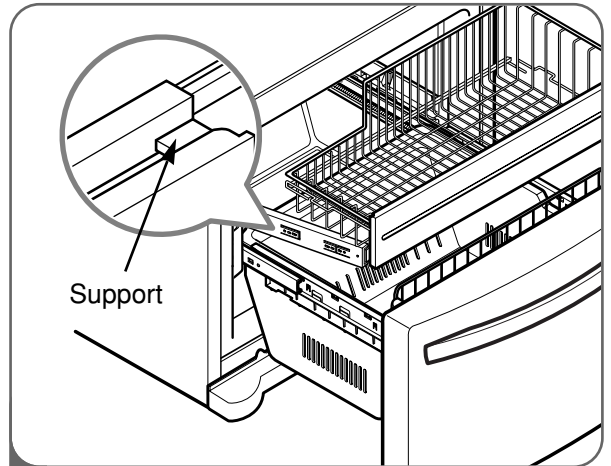
- 2 Pour replacer le panier à bascule, insérez le support sur un côté puis accrochez une extrémité du panier dans le support. Accrochez ensuite l'autre extrémité du panier dans l'autre support, puis poussez le support en place vers le bas.

REMARQUE : Assurez-vous que l'arrière du panier est placé derrière la languette de retenue de chaque support.

Tiroir amovible



- 1 Pour retirer le tiroir, poussez les loquets situés à l'avant de chaque rail. Puis, soulevez légèrement l'arrière du tiroir et retirez-le.



- 2 Pour le réinstaller, tirez les deux rails à fond. Insérez le bout de la nervure dans le bras gauche et droit.

Assurez-vous que les guides de l'avant sont correctement alignés, et poussez légèrement les deux côtés vers le bas.

NETTOYAGE DU RÉFRIGÉRATEUR

⚠️ AVERTISSEMENT

Risque d'explosion

- Utilisez un nettoyant qui n'est pas inflammable.
- L'omission d'observer cette directive peut entraîner le décès, une explosion, ou un incendie.

Les compartiments réfrigérateur et congélateur se dégivrent automatiquement. Cependant, nettoyez ces deux compartiments une fois par mois pour prévenir les odeurs. Nettoyez les déversements immédiatement.

- Débranchez le réfrigérateur.
- Enlevez les composants amovibles comme les clayettes et les bacs à légumes.
- Utilisez une éponge ou un linge doux propre imbibé d'un mélange d'eau chaude et de détergent doux. N'utilisez pas de nettoyants abrasifs ni corrosifs.
- Lavez à la main, rincez, puis asséchez complètement toutes les surfaces.
- Rebranchez le réfrigérateur.

REMARQUE : Les vaporisateurs pour fenêtres, les nettoyants abrasifs, ou les liquides inflammables peuvent égratigner ou endommager les couvercles et panneaux de plastique.

Nettoyage de l'extérieur

Dans le cas de modèles à carrosserie en acier inoxydable, procurez-vous dans le commerce un nettoyant spécialement conçu pour ce matériau et observez les directives du fabricant. Vous pouvez aussi utiliser une éponge ou un chiffon doux propre, imbibé d'un mélange d'eau chaude et de détergent doux. N'utilisez pas de nettoyants abrasifs ni corrosifs. Asséchez à fond à l'aide d'un chiffon doux.

IMPORTANT : N'utilisez pas de cires nettoyantes, de détergents concentrés, ni de produits nettoyants qui contiennent du pétrole sur les pièces en plastique du réfrigérateur comme les contre-portes ou les joints d'étanchéité.

Entretien et nettoyage de l'intérieur

REMARQUE : Laissez le congélateur se réchauffer pour éviter que le chiffon de nettoyage ne colle aux parois.

Pour éliminer les odeurs, vous pouvez laver l'intérieur du réfrigérateur à l'aide d'un mélange de bicarbonate de soude et d'eau chaude. Mélangez 2 cuillerées à table de bicarbonate de soude dans 1 pinte d'eau (26 g de bicarbonate de soude dans 1 L d'eau). Assurez-vous de dissoudre totalement le bicarbonate de soude pour éviter son action abrasive qui peut égratigner le réfrigérateur.

IMPORTANT : N'utilisez pas un pistolet arrosoir pour nettoyer l'intérieur.

RENSEIGNEMENTS GÉNÉRAUX

Remisage

Lors de vacances de moyenne durée, vous voudrez sans doute maintenir votre réfrigérateur en fonction. Placez les articles congelables dans le congélateur pour prolonger leur durée.

Si vous prévoyez remettre le réfrigérateur, retirez-en tous les aliments, débranchez le cordon d'alimentation, nettoyez l'intérieur à fond, et bloquez les portes en position ouverte pour prévenir les moisissures. Faites en sorte que le réfrigérateur ne présente pas un risque de piégeage des enfants.

Déplacement

Videz le réfrigérateur si vous devez le déplacer sur une bonne distance (généralement inutile s'il s'agit simplement de le tirer pour nettoyer l'arrière). Laissez le réfrigérateur atteindre la température ambiante, puis asséchez l'intérieur avant de fermer les portes en vue de le transporter. Vissez complètement les pattes de nivellement contre la base pour éviter de les endommager.

Pannes de courant

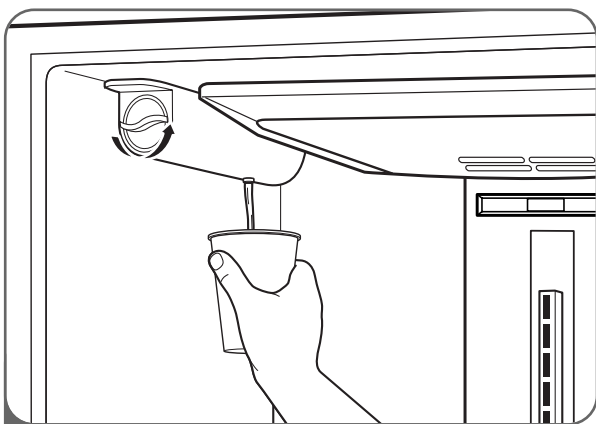
La plupart des pannes de courant qui ne durent qu'une heure ou deux n'affecteront pas les températures de votre réfrigérateur. Vous devriez cependant réduire la fréquence d'ouverture des portes au minimum durant ces événements.

De l'eau peut s'égoutter du bac à glace durant une panne d'électricité. Pour éviter ceci, retirez le bac à glace, jetez toute la glace, séchez avec une serviette et remplacez.

ENTRETIEN ET NETTOYAGE

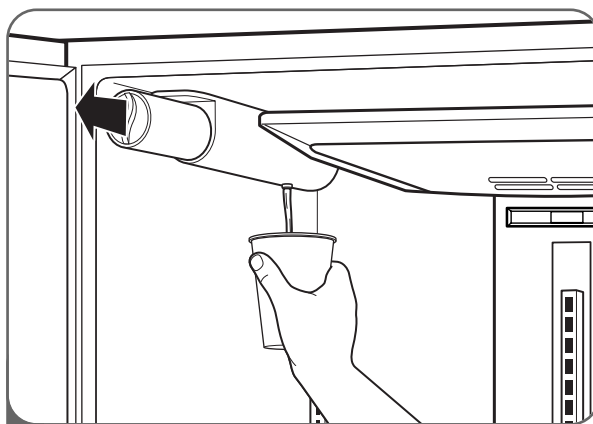
REPLACEMENT DU FILTRE À EAU

Il est recommandé de remplacer le filtre lorsque l'indicateur de filtre atteint **0** ou lorsque le distributeur d'eau ou la machine à glaçons diminuent sensiblement leur production.

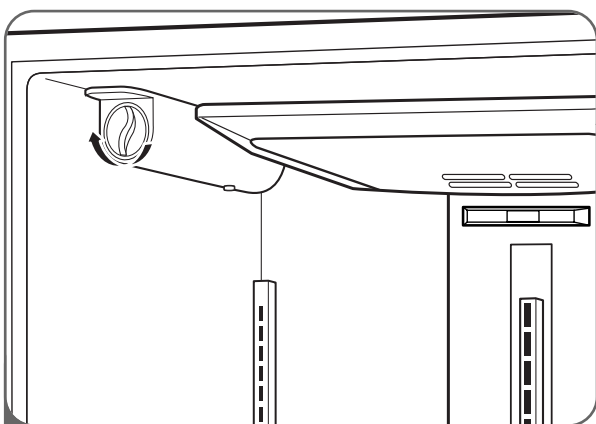


1 Tournez le bouton de la cartouche de filtre usée dans le sens antihoraire. Vous sentirez une détente lors du dégagement de la cartouche.

REMARQUE : Une petite quantité d'eau (environ 1 oz ou 25 cc) se drainera lors du remplacement du filtre. Placez une tasse sous le filtre pour recueillir cette eau.



2 Enlevez la cartouche usée. Déballez la nouvelle cartouche de filtre et retirez le capuchon protecteur des joints toriques. Tenez la poignée de la cartouche dans la position horizontale, puis poussez la nouvelle cartouche en place jusqu'à ce qu'elle s'immobilise.



1 Utilisez la poignée pour tourner la cartouche dans le sens des aiguilles d'une montre d'un tour environ, jusqu'à ce que la poignée soit en position horizontale. Vous sentirez le filtre s'encliqueter en place.

REMARQUE : Un filtre qui ne peut tourner d'un côté à l'autre n'est pas engagé à fond.

Une fois le filtre remplacé, laissez 2 minutes au distributeur d'eau afin qu'il vidange le circuit d'eau. Vérifier l'absence de fuite du filtre.



Lorsque l'indicateur du filtre à eau affiche le message "**0 Filter Month, Hold 3 Seconds**" (« 0 mois filtre, tenir 3 secondes », réinitialisez l'écran et la lampe témoin d'état du filtre à eau en appuyant sur la touche LIGHT/FILTER (TÉMOIN/FILTRE) et en la maintenant enfoncée durant plus de 3 secondes.

Pour vous procurer des cartouches de filtre à eau, rendez-vous chez votre concessionnaire d'électroménagers ou distributeur de pièces de rechange local.

Vous pouvez aussi composer le 1-877-714-7486.

Le numéro de pièce de la cartouche de filtre à eau de rechange est **5231JA2006A**.

AVANT DE FAIRE UN APPEL DE SERVICE

Avant de faire un appel de service, consultez cette liste. Vous pourriez ainsi économiser temps et argent. La liste énumère des situations fréquentes qui ne sont pas attribuables à des vices de matière ou de fabrication.

Problème	Causes probables	Solutions
Le compresseur du réfrigérateur ne fonctionne pas.	<ul style="list-style-type: none"> • La commande du réfrigérateur est à OFF (Arrêt). • Le réfrigérateur est dans un cycle de dégivrage. • La fiche n'est pas branchée dans la prise murale. • Panne de courant. Vérifiez l'éclairage du domicile. 	<ul style="list-style-type: none"> • Réglez la commande du réfrigérateur. • Ceci est normal pour un réfrigérateur doté d'une fonction de dégivrage entièrement automatique. • Assurez-vous que la fiche est insérée à fond dans la prise. • Communiquez avec la compagnie d'électricité.
Le réfrigérateur fonctionne trop fréquemment ou trop longtemps.	<ul style="list-style-type: none"> • Ce réfrigérateur est plus gros que celui que vous possédiez avant. • La température de la pièce ou extérieure est élevée. • Le réfrigérateur a récemment été débranché pendant un certain temps. • Une grande quantité d'aliments chauds a récemment été rangée. • Les portes ont été ouvertes trop fréquemment ou trop longtemps. • La porte du compartiment réfrigérateur ou congélateur est entrouverte. • Le réfrigérateur est réglé à une température trop froide. • Le joint d'étanchéité du réfrigérateur ou congélateur est sale, usé, craquelé, ou mal posé. 	<ul style="list-style-type: none"> • C'est normal. Les appareils plus volumineux, plus efficaces, fonctionnent plus longtemps. • Il est normal que le réfrigérateur fonctionne plus longtemps dans ces conditions. • Le réfrigérateur prend quelques heures pour atteindre les températures de refroidissement. • Les aliments chauds font que le réfrigérateur prend plus de temps pour atteindre la température choisie. • L'air chaud qui pénètre dans le réfrigérateur prolonge son fonctionnement. Ouvrez les portes moins souvent. • Assurez-vous que le réfrigérateur est de niveau. Ne laissez pas des aliments ou contenants bloquer les portes. • Réglez le réfrigérateur à une température plus basse jusqu'à obtenir satisfaction. • Nettoyez ou changez le joint d'étanchéité. Un joint qui fuit oblige le réfrigérateur à fonctionner plus longtemps pour maintenir la température voulue.
Le compresseur du réfrigérateur effectue des cycles d'arrêt et de redémarrage.	<ul style="list-style-type: none"> • Le thermostat garde constante la température du réfrigérateur. 	<ul style="list-style-type: none"> • Ceci est normal. Le réfrigérateur effectue des cycles d'arrêt et de redémarrage pour garder la température constante.
La température du congélateur est trop froide, mais celle du réfrigérateur est satisfaisante.	<ul style="list-style-type: none"> • La commande du congélateur est réglée à une température trop froide. 	<ul style="list-style-type: none"> • Réglez la commande du congélateur à une température plus chaude jusqu'à obtenir satisfaction.
La température du réfrigérateur est trop froide, mais celle du congélateur est satisfaisante.	<ul style="list-style-type: none"> • La commande du réfrigérateur est réglée à une température trop froide. 	<ul style="list-style-type: none"> • Réglez la commande du réfrigérateur à une température plus chaude.

AVANT DE FAIRE UN APPEL DE SERVICE (SUITE)

Problème	Causes probables	Solutions
La nourriture du réfrigérateur placée dans les tiroirs gèle.	<ul style="list-style-type: none"> • La commande du réfrigérateur est réglée à une température trop froide. 	<ul style="list-style-type: none"> • Réglez le réfrigérateur à une température plus basse.
La température du réfrigérateur ou du congélateur est trop chaude.	<ul style="list-style-type: none"> • La commande du réfrigérateur ou du congélateur est réglée à une température trop chaude. • Les portes sont ouvertes trop fréquemment ou trop longtemps. • La porte est entrouverte. • Une grande quantité d'aliments chauds a récemment été rangée. • Le réfrigérateur a récemment été débranché pendant un certain temps. 	<ul style="list-style-type: none"> • Réglez la commande du congélateur ou du réfrigérateur à une température plus froide jusqu'à obtenir satisfaction. • De l'air chaud pénètre dans le réfrigérateur ou le congélateur dès qu'une porte s'ouvre. Ouvrez les portes moins souvent. • Fermez la porte complètement. • Laissez au réfrigérateur ou congélateur le temps de refroidir les aliments à la température choisie. • Le réfrigérateur prend quelques heures pour atteindre les températures choisies.
La température du réfrigérateur est trop chaude, mais celle du congélateur est satisfaisante.	<ul style="list-style-type: none"> • La commande du réfrigérateur est réglée à une température trop chaude. 	<ul style="list-style-type: none"> • Réglez la commande du réfrigérateur à une température plus froide.
Le compresseur fait plus de bruit au démarrage.	<ul style="list-style-type: none"> • Le réfrigérateur fonctionne à des pressions plus élevées lors du démarrage. 	<ul style="list-style-type: none"> • Ceci est normal.
Des vibrations ou des cliquetis se font entendre.	<ul style="list-style-type: none"> • Le plancher n'est pas égal ou supporte mal la charge. Le réfrigérateur se balance contre le plancher quand on le pousse. • Les articles placés sur le dessus du réfrigérateur vibrent. • Les assiettes placées sur les clayettes du réfrigérateur vibrent. • Le réfrigérateur touche au mur ou aux armoires. 	<ul style="list-style-type: none"> • Assurez-vous que le plancher est de niveau et suffisamment solide pour supporter le réfrigérateur. • Retirez les articles. • Il est normal que les assiettes vibrent un peu. Déplacez-les légèrement. Assurez-vous que le réfrigérateur est de niveau et qu'il repose solidement sur le plancher. • Déplacez le réfrigérateur de façon à ce qu'il ne touche plus au mur.
De la condensation se forme sur les parois internes du réfrigérateur.	<ul style="list-style-type: none"> • Le temps est chaud et humide, ce qui accélère l'accumulation de givre et la condensation interne. • La porte est entrouverte. • La porte s'ouvre trop souvent ou trop longtemps. 	<ul style="list-style-type: none"> • Ceci est normal. • Fermez la porte. • Ouvrez la porte moins souvent.
De la condensation se forme sur les parois externes du réfrigérateur ou entre les portes.	<ul style="list-style-type: none"> • Le temps est humide. • La porte est entrouverte. 	<ul style="list-style-type: none"> • Ceci est normal lorsque le temps est humide. La condensation devrait disparaître à mesure que l'humidité se dissipe. • Fermez la porte complètement.

AVANT DE FAIRE UN APPEL DE SERVICE (SUITE)

Problème	Causes probables	Solutions
De la condensation se forme sur le distributeur.	<ul style="list-style-type: none"> • De la condensation peut se produire lorsque la température ou l'humidité est élevée. 	<ul style="list-style-type: none"> • Essuyez la condensation.
Des odeurs dans le réfrigérateur.	<ul style="list-style-type: none"> • L'intérieur a besoin d'être nettoyé. • Des aliments dégagant de fortes odeurs se trouvent dans le réfrigérateur. • Certains contenants ou emballages dégagent des odeurs. 	<ul style="list-style-type: none"> • Nettoyez l'intérieur avec une éponge, de l'eau chaude, et du bicarbonate de soude. Assurez-vous de dissoudre totalement le bicarbonate de soude pour éviter son action abrasive. • Enveloppez complètement les aliments. • Utilisez un autre contenant ou marque de pellicule d'emballage.
La ou les portes ne ferment pas.	<ul style="list-style-type: none"> • Un emballage d'aliment empêche la fermeture de la porte. • Une porte s'est entrouverte lorsqu'une autre a été fermée trop brusquement. • Le réfrigérateur n'est pas de niveau. Il se balance contre le plancher quand on le pousse. • Le plancher n'est pas égal ou supporte mal la charge. Le réfrigérateur se balance contre le plancher quand on le pousse. • Le réfrigérateur touche au mur ou aux armoires. 	<ul style="list-style-type: none"> • Déplacez les emballages qui nuisent à la fermeture de la porte. • Fermez les portes délicatement. • Réglez les vis de nivellement. • Assurez-vous que le plancher est égal et peut supporter le réfrigérateur. Contactez un menuisier pour corriger le fléchissement ou l'inclinaison du plancher. • Déplacez le réfrigérateur.
Les tiroirs sont difficiles à déplacer.	<ul style="list-style-type: none"> • Des aliments touchent à la clayette au-dessus du tiroir. • Les rails du tiroir sont encrassés. 	<ul style="list-style-type: none"> • Gardez moins d'aliments dans le tiroir. • Nettoyez le tiroir et les rails.
Le distributeur ne fournit pas d'eau.	<ul style="list-style-type: none"> • L'eau a séjourné trop longtemps dans le réservoir. • L'électroménager n'est pas correctement raccordé à la conduite d'eau froide. • Lorsqu'un tube installé est tordu. • Lorsqu'un filtre est vieux. 	<ul style="list-style-type: none"> • Ouvrez le robinet de la conduite d'eau du domicile. • Assurez-vous que les deux portes sont fermées. • Vérifier le tube installé. • Remplacer par un nouveau filtre.
Le goût et/ou l'odeur de l'eau est douteuse.	<ul style="list-style-type: none"> • Le robinet de la conduite d'eau du domicile n'est pas ouvert. • La porte du réfrigérateur ou du congélateur n'est pas fermée. • Lorsqu'un filtre est vieux. 	<ul style="list-style-type: none"> • Faites couler l'eau du distributeur d'eau pendant 2 minutes pour rafraîchir l'alimentation. Faites couler l'eau du distributeur d'eau pendant 2 minutes supplémentaires pour rincer complètement le réservoir. • Raccordez l'électroménager à la conduite d'eau froide qui alimente le robinet de la cuisine. • Remplacer par un nouveau filtre.

AVANT DE FAIRE UN APPEL DE SERVICE (SUITE)

Problème	Causes probables	Solutions
Le distributeur ne fournit pas de glace.	<ul style="list-style-type: none"> • Le bac à glace est vide. • Le robinet de la conduite d'eau du domicile n'est pas ouvert. • La porte du réfrigérateur ou du congélateur n'est pas fermée. • La glace a fondu puis regelé autour de la vis sans fin à cause de la fréquence d'utilisation, des variations de température, et/ou de pannes de courant. • Les glaçons sont bloqués entre le bras de la machine à glaçons et l'arrière du bac à glace. • Les glaçons sont soudés les uns aux autres. • Des glaçons provenant d'ailleurs ou fabriqués autrement ont été utilisés dans le distributeur. • Le tube d'arrivée d'eau est tordu. • Le filtre est ancien, ou nécessite son remplacement. 	<ul style="list-style-type: none"> • Le distributeur devrait fonctionner une fois que le premier lot de glace est tombé dans le bac. • Ouvrez le robinet de la conduite d'eau du domicile et laissez à la glace le temps de se former. Le distributeur devrait fonctionner lorsque la glace est prête. • Assurez-vous que les deux portes sont fermées. • Retirez le bac à glace et faites fondre son contenu. Nettoyez le bac, asséchez-le, puis remettez-le en place. Le distributeur devrait fonctionner dès que de la nouvelle glace est prête. • Retirez les glaçons qui bloquent le distributeur. • Utilisez le distributeur plus souvent pour éviter la fusion des glaçons. • Seuls les glaçons produits par la machine à glaçons doivent être utilisés. • Vérifier le tube installé. • Remplacer par un nouveau filtre.
Un son de glace qui tombe.	<ul style="list-style-type: none"> • Un lot de glace est tombé dans le bac à glace. 	<ul style="list-style-type: none"> • Ce son se fait entendre lorsque de la glace fabriquée automatiquement tombe dans le bac à glace. L'intensité du son variera selon l'emplacement du réfrigérateur.
Un son d'eau qui s'écoule.	<ul style="list-style-type: none"> • La machine à glaçons est alimentée en eau. 	<ul style="list-style-type: none"> • Ce son normal se fait entendre lorsque la machine à glaçons est alimentée en eau suite au dépôt automatique de glace dans le bac. • Si le bruit dure plus de 10 secondes, contrôler les fuites.
Autres	Veuillez lire attentivement les sections Machine à glaçons automatique et Fonctionnement du distributeur de ce guide.	

CARACTÉRISTIQUES TECHNIQUES

DIMENSIONS ET CARACTÉRISTIQUES PRINCIPALES

Les caractéristiques visuelles et techniques listées dans ce tableau peuvent varier en fonction de l'évolution qualitative du produit.

Réfrigérateur à congélateur au bas de modèles LFX25961	
Description	Réfrigérateur à portes françaises
Alimentation électrique	115 V c.a. à 60 Hz
Pression d'eau min. / max.	21 à 121 PSI (1,5 à 8,5 kgf/cm ²)
Dimensions	35 ³ / ₄ po(W) X 34 ¹ / ₄ po(D) X 69 ³ / ₄ po(H), 46 ¹ / ₂ po (P avec porte ouverte) 908 mm (W) X 870 mm (D) X 1772 mm (H), 1181 mm (P avec porte ouverte)
Poids net	324 lb. (147 kg)
Capacité de rangement du réfrigérateur	17,6 pi ³
Capacité de rangement du congélateur	7,1 pi ³

LG ELECTRONICS CANADA, INC.

GARANTIE LIMITÉE DES RÉFRIGÉRATEURS LG - Canada

GARANTIE : Si, au cours de la période de garantie indiquée ci-dessous, votre réfrigérateur LG ("**Produit**") tombe en panne suite à un défaut de fabrication ou de main d'œuvre dans le cadre d'une utilisation normale, LG Canada s'engage à réparer ou à remplacer le Produit à sa discrétion, sur présentation d'une preuve d'achat d'origine. Cette garantie ne s'applique qu'à l'acheteur initial du Produit et uniquement si celui-ci a été acheté au Canada auprès de LG Canada ou d'un distributeur agréé au Canada. La garantie ne s'applique que si le Produit est situé et utilisé au Canada.

PÉRIODE DE GARANTIE : (Remarque : dans le cas où la date d'achat initial ne peut pas être vérifiée, la garantie commence soixante (60) jours après la date de fabrication).		
Réfrigérateur/Congélateur	Système scellé (compresseur, condenseur et évaporateur uniquement)	
Un (1) an à compter de la date d'achat initial	Un (1) an à compter de la date d'achat initial	Sept (7) ans à compter de la date d'achat initial
Pièces et main-d'œuvre (pièces internes/fonctionnelles uniquement)	Pièces et main-d'œuvre	Pièces uniquement (la main-d'œuvre sera facturée au client)

- ▶ Les pièces et Produits de rechange sont garantis pour la durée restante de la garantie initiale ou quatre-vingt-dix (90) jours, la durée la plus longue prévalant.
- ▶ Les pièces et Produits de rechange peuvent être neufs ou réusinés.
- ▶ Le centre de réparation agréé LG garantit ses travaux de réparation trente (30) jours.

LA RESPONSABILITÉ DE LG CANADA SE LIMITE EXCLUSIVEMENT À LA GARANTIE EXPOSÉE CI-DESSUS. À L'EXCEPTION DE CE QUI EST EXPRESSÉMENT STIPULÉ CI-DESSUS, LG CANADA DÉCLINE TOUTE AUTRE GARANTIE ET CONDITION CONCERNANT LE PRODUIT, EXPLICITE OU IMPLICITE, Y COMPRIS, MAIS SANS S'Y LIMITER, TOUTE GARANTIE OU CONDITION IMPLICITE DE VALEUR COMMERCIALE OU DE COMPATIBILITÉ POUR UN BUT OU USAGE PARTICULIER. EN OUTRE, AUCUNE DÉCLARATION NE PEUT ENGAGER LG CANADA. LG CANADA N'AUTORISE AUCUNE PERSONNE À CRÉER OU ENDOSSER À SA PLACE AUCUNE AUTRE OBLIGATION DE GARANTIE OU DE RESPONSABILITÉ LIÉE AU PRODUIT. SAUF GARANTIE OU CONDITION RENDUE IMPLICITE PAR LA LOI, LA PÉRIODE DE GARANTIE EST LIMITÉE À LA PÉRIODE INDICUÉE CI-DESSUS. LG CANADA, LE FABRICANT OU LE DISTRIBUTEUR NE SAURONT ÊTRE TENUS RESPONSABLES EN CAS DE DOMMAGE ACCESSOIRE, IMMATÉRIEL, PARTICULIER, DIRECT OU INDIRECT, DE PERTE INCORPORELLE, DE PERTE DE PROFIT, DE DOMMAGE PUNITIF OU EXEMPLAIRE, OU TOUT AUTRE DOMMAGE, RÉSULTANT DIRECTEMENT OU INDIRECTEMENT D'UNE VIOLATION CONTRACTUELLE, FONDAMENTALE OU AUTRE, OU DE TOUT AUTRE ACTE OU OMISSION, DÉLICTEUX OU AUTRE. Cette garantie vous donne des droits juridiques spécifiques. Vous pouvez avoir d'autres droits, selon la législation provinciale qui s'applique pour la province concernée. Tout terme de cette garantie qui nierait ou modifierait une condition ou une garantie implicite selon la législation provinciale est séparable lorsqu'il contredit la législation provinciale sans affecter le reste des termes de cette garantie.

CETTE GARANTIE LIMITÉE NE COUVRE PAS :

1. Les déplacements des techniciens pour livrer, reprendre, ou installer le Produit, expliquer au client l'utilisation du Produit ; réparer ou remplacer les fusibles, corriger les branchements d'électricité ou de plomberie, ou corriger les réparations et installations non autorisées.
2. Le non-fonctionnement du Produit en cas de pannes ou coupures d'électricité, ou encore d'installation électrique inadaptée.
3. Les dégâts causés par une fuite, une rupture ou un gel des tuyaux d'arrivée d'eau, un encombrement du circuit d'évacuation, une alimentation en eau interrompue ou inadéquate, ou une arrivée d'air inadaptée.
4. Les dégâts résultant de l'utilisation du Produit dans une atmosphère corrosive ou contraire aux instructions détaillées dans le manuel d'utilisation du Produit
5. Les dégâts causés au Produit par des accidents, des insectes nuisibles, des orages, des tempêtes, des incendies, des inondations ou des catastrophes naturelles.
6. Les dégâts résultant d'une utilisation inappropriée, d'un usage abusif, ou d'une installation, réparation ou maintenance inadaptée du Produit. La réparation inadaptée inclut l'utilisation de pièces non approuvées ou spécifiées par LG Canada.
7. Les dégâts ou les pannes provoquées par une modification ou altération non autorisée, par une utilisation autre que pour l'objet prévu, ou par une fuite d'eau due à une mauvaise installation de l'appareil.
8. Les dégâts ou les pannes provoqués par un courant électrique, une tension ou des codes de plomberie incorrects, une utilisation commerciale ou industrielle, ou l'utilisation d'accessoires, de composants ou de Produits de nettoyage consommables qui ne sont pas approuvés par LG Canada.
9. Les dégâts provoqués par le transport et la manipulation, notamment les éraflures, bosses, entailles et/ou tout autre dommage causé à la finition du Produit, sauf si ces dommages sont dus à un défaut de fabrication ou de main-d'œuvre et sont signalés dans un délai d'une (1) semaine suivant la livraison.
10. Les dégâts ou pièces manquantes en cas de Produit d'exposition, déjà ouvert, faisant l'objet d'une remise ou réusiné.
11. Les Produits dont le numéro de série d'origine a été enlevé, modifié ou est illisible. Les numéros de modèle et de série, ainsi que la facture d'origine du Produit sont nécessaires pour valider la garantie.
12. L'augmentation du coût des services publics et des frais supplémentaires liés à ces derniers.
13. Le remplacement des ampoules, filtres ou de tout autre élément consommable.
14. Les réparations lorsque votre Produit est utilisé dans des conditions autres qu'une utilisation domestique normale et habituelle (y compris, mais sans se limiter à, une utilisation dans des commerces, des bureaux et des structures d'accueil) ou contraires aux instructions décrites dans le manuel d'utilisation du Produit.
15. Les coûts associés à l'enlèvement du Produit de votre domicile à des fins de réparation.
16. L'enlèvement et la réinstallation du Produit s'il est installé dans un endroit inaccessible ou s'il n'est pas installé conformément aux instructions d'installation publiées, notamment dans les manuels d'installation et d'utilisation.
17. Les clayettes, bacs, tiroirs, poignées, et accessoires du Produit. Sont également exclues les pièces autres que celles fournies d'origine avec le Produit.

Tous les coûts associés aux circonstances ci-dessus non couvertes par la garantie sont à la charge du consommateur.

Pour obtenir plus de détails sur la garantie ou une assistance : Appelez le 1-888-542-2623 (24 h/24, 7 j/7) et sélectionnez l'option appropriée dans le menu, ou visitez notre site web <http://www.lg.ca>

Inscrivez vos informations de garantie ci-dessous : _____

Numéro d'enregistrement du Produit : _____

Modèle : _____ Numéro de série : _____

Date d'achat : _____

INTRODUCCIÓN

INFORMACIÓN IMPORTANTE DE SEGURIDAD

Precauciones básicas de seguridad	87
Eliminación de CFC	88
Cómo conectar la electricidad	89

PIEZAS Y CARACTERÍSTICAS

Características especiales	90
Piezas y componentes importantes	91

INSTALACIÓN

Elija la ubicación adecuada	92
Espacios libres	92
Pisos	93
Cómo quitar la manija	93
Cómo quitar la puerta y el cajón	94
Cómo conectar el suministro de agua	100
Cómo conectar las líneas de agua	100
Cómo nivelar las puertas del refrigerador	102
Inicio	103

CÓMO UTILIZAR

Características del panel de control	104
Pantalla de LED	105
Cómo ajustar las temperaturas y las funciones	106
Cómo operar el dispensador	107
Configuración de las funciones	108
Depósito de hielo del interior de la puerta.....	109
Máquina automática para hacer hielo	110
Almacenamiento de alimentos	111
Ubicación de los alimentos	112
Ajuste de altura de los estantes	113

CUIDADO Y LIMPIEZA

Cómo cambiar las bombillas de luz	114
Cómo quitar y cambiar los componentes	115
Limpieza del refrigerador	119
Información general	119
Cómo cambiar el filtro de agua	120

DETECCIÓN DE PROBLEMAS

Antes de solicitar servicio técnico	121
---	-----

ESPECIFICACIONES

Dimensiones y especificaciones importantes ...	125
--	-----

GARANTÍA

Información sobre registro de producto	126
--	-----

¡GRACIAS!

Felicitaciones por su compra y bienvenido a la familia de LG.


Su nuevo refrigerador de doble puerta LG, combina la más avanzada tecnología de frío con un funcionamiento sencillo y un alto rendimiento.

Siga las instrucciones de funcionamiento y cuidados de este manual y su refrigerador le proporcionará un servicio eficaz durante muchos años.

INFORMACIÓN IMPORTANTE DE SEGURIDAD

PRECAUCIONES BÁSICAS DE SEGURIDAD

Esta guía contiene varios mensajes importantes de seguridad. Siempre lea y obedezca todos los mensajes de seguridad.

 Este es el símbolo de alerta de seguridad. Lo alerta sobre mensajes de seguridad que informan sobre peligros que pueden matarlo o lastimarlo a usted o a otros o provocar daños al producto. Todos los mensajes de seguridad serán precedidos por el símbolo de alerta de seguridad y las palabras PELIGRO, ADVERTENCIA, o PRECAUCIÓN. Estas palabras significan:

PELIGRO

Si no sigue las instrucciones descritas a continuación **podría** experimentar lesiones serias e incluso fatales.

ADVERTENCIA

El usuario **puede** morir o sufrir graves lesiones si no sigue las instrucciones.

PRECAUCIÓN

Indica una situación de riesgo inminente que, de no evitarse, **podría** ocasionar lesiones menores o moderadas o daños al producto.

Todos los mensajes identificarán el peligro, le señalarán cómo reducir las posibilidades de lesiones, y le explicarán qué puede suceder si no se siguen las instrucciones.

ADVERTENCIA

Para reducir el riesgo de incendio, descarga eléctrica, o lesiones a personas cuando utilice el producto, deben cumplirse precauciones básicas de seguridad, incluyendo las siguientes.

Lea todas las instrucciones antes de utilizar este artefacto.

- NUNCA desenchufe el refrigerador tirando del cable de energía. Siempre tome el enchufe con firmeza y quítelo del tomacorriente.
- Repare o reemplace de manera inmediata todos los cables eléctricos que se hayan desgastado o dañado. No utilice cables que den muestras de grietas o desgaste en su longitud o en el enchufe o extremo del conector.
- Cuando aleje el refrigerador de la pared, tenga cuidado de no aplastar o dañar el cable de energía.
- NO almacene o use gasolina u otros vapores o líquidos inflamables cerca de este o cualquier otro artefacto.
- NO permita que los niños se cuelguen, suban, o paren en las puertas o estantes del refrigerador. Podrían dañar el refrigerador y sufrir lesiones graves.
- Mantenga los dedos alejados de los puntos de pellizco; los espacios entre las puertas y armario son necesariamente pequeños. Tenga cuidado al cerrar puertas cuando hay niños en la cercanía.
- Desenchufe su refrigerador antes de limpiar o hacer reparaciones.

NOTA: Las reparaciones debe realizarlas un técnico calificado.

- Antes de reemplazar un bombilla de luz quemada, desenchufe el refrigerador o desconecte la electricidad del disyuntor o caja de fusibles para evitar contacto con un fiamento cargado (una bombilla quemada puede romperse al cambiarla).
NOTA: Algunos modelos tienen iluminación interior mediante LED y la reparación debe llevarse a cabo por personal técnico cualificado.
- **NOTA:** Confiar cualquier de los dos controles en la posición OFF (apagado) no elimina la corriente de electricidad dirigida al circuito de la luz.
- Una vez haya terminado, vuelva a enchufar la refrigeradora al suministro eléctrico y restablezca el control (dependiendo del modelo: termostato, control de la refrigeradora o la heladera) al ajuste deseado.
- Este refrigerador debe ser instalado correctamente de acuerdo con las **Instrucciones del instalador**, adjuntas en la parte frontal del refrigerador.
- Después de instalar su refrigerador, no toque las superficies frías del congelador con las manos mojadas o húmedas. La piel puede adherirse a las superficies muy frías.
- En refrigeradores con máquinas automáticas para hacer hielo, evite el contacto con las piezas en movimiento del mecanismo eyector o con el elemento calentador que libera los cubitos. NO coloque sus dedos o manos en el mecanismo de la máquina para hacer hielo mientras el refrigerador se encuentre enchufado.
- **No modifique o extienda la longitud del cable de energía.** Esto provocará una descarga eléctrica o un incendio.

INFORMACIÓN IMPORTANTE DE SEGURIDAD

PRECAUCIONES BÁSICAS DE SEGURIDAD (CONT.)

- NO vuelva a congelar alimentos que se hayan descongelado por completo. El Ministerio de Agricultura de los EE.UU., Boletín N° 69 sobre Hogares y Jardines señala:
 - ... Pueden volverse a congelar los alimentos que hayan sido descongelados si todavía contienen cristales de hielo o si todavía están fríos, por debajo de 40°F (4°C).
 - ... Las carnes rojas picadas, carnes de ave, o pescado que tengan olores o colores extraños no deben volver a congelarse y tampoco deben consumirse. Los helados descongelados deben eliminarse. Si el olor o color de cualquier alimento es pobre o dudoso, elimínelo.

Volver a congelar, incluso habiendo descongelado sólo parcialmente, reduce la calidad de los alimentos, particularmente en el caso de frutas, verduras y alimentos preparados.

La calidad comestible de las carnes rojas se ve menos afectada que la de otros alimentos. Utilice alimentos recongelados lo antes posible para preservar la mayor calidad posible.

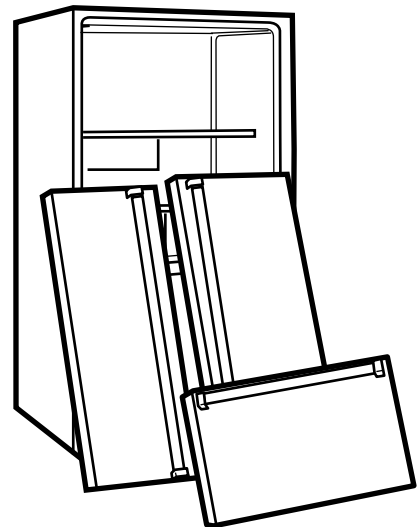
⚠ PELIGRO

Riesgo de encierro para niños

Los refrigeradores desechados o abandonados representan un gran peligro, aunque sólo permanezcan en la basura durante unos días. Si va a desechar su viejo refrigerador, siga las siguientes instrucciones para prevenir accidentes.

Antes de eliminar su viejo refrigerador o congelador:

- Quite las puertas.
- Deje los estantes en su lugar para que los niños no puedan subirse fácilmente.



ELIMINACIÓN DE CFC

Su viejo refrigerador puede tener un sistema de enfriamiento con CFC (clorofluorocarbonos). Se cree que los CFC son dañinos para el ozono estratosférico.

Si va a tirar su viejo refrigerador, asegúrese que quitar el refrigerante CFC para una eliminación adecuada por parte de un técnico calificado. Si libera este refrigerante de CFC de manera intencional, usted puede ser objeto de multas y de prisión según lo indicado por la legislación ambiental.

INFORMACIÓN IMPORTANTE DE SEGURIDAD

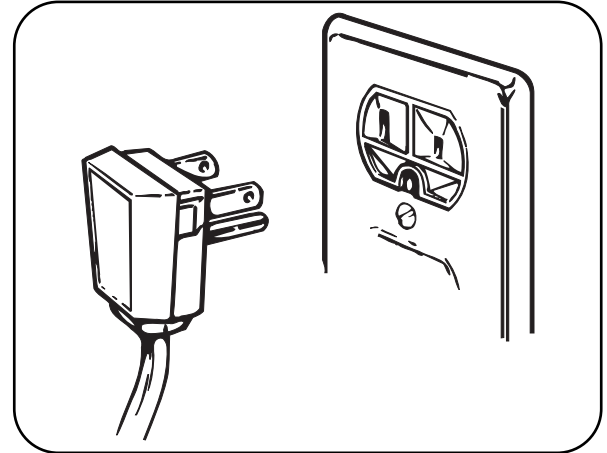
CÓMO CONECTAR LA ELECTRICIDAD

IMPORTANTE: Lea cuidadosamente.

⚠️ ADVERTENCIA

Peligro de descarga eléctrica

Para seguridad personal, este artefacto debe conectarse a tierra de manera adecuada. Haga que un técnico calificado verifique el tomacorriente de pared y el circuito para verificar que tengan una conexión a tierra adecuada.



MÉTODO DE CONEXIÓN A TIERRA RECOMENDADO

El refrigerador siempre debe estar conectado a un tomacorriente individual con conexión a tierra clasificado para 120 voltios, 60 Hz, sólo CA, y con fusibles de 20 amperes. Esto otorga un mejor desempeño y también evita la sobrecarga de los circuitos de cableado de la casa, lo que podría generar un peligro de incendio por sobrecarga. Se recomienda que este artefacto cuente con un circuito individual.

Utilice un tomacorriente que no pueda apagarse con un interruptor o cadena. No utilice un cable de extensión. Para el uso de este artefacto, es su responsabilidad y obligación cambiar un tomacorriente estándar de dos patas por uno de tres patas con adecuada conexión a tierra.

Bajo ninguna circunstancia corte o quite la tercera pata (a tierra) del cable de energía.

No utilice un enchufe adaptador.

NOTA: Algunos modelos tienen iluminación interior mediante LED y la reparación debe llevarse a cabo por personal técnico cualificado.

Cuando haya terminado, vuelva a conectar el refrigerador a la fuente de energía y cambie el control (termostato, control de refrigerador, o control de congelador, dependiendo del modelo) a la configuración deseada.

USO DE LOS CABLES DE EXTENSIÓN

Debido a peligros potenciales de seguridad en ciertas condiciones, recomendamos **enfáticamente no utilizar un cable de extensión**. Sin embargo, si aún así decide utilizar un cable de extensión, es absolutamente necesario que se trate de un cable de extensión de tres patas listado UL (EE.UU.) con enchufe y tomacorriente a tierra, y que la clasificación eléctrica del cable sea de 20 amperes (mínimo) y 120 voltios. El uso de un cable de extensión incrementará el espacio necesario en la parte trasera del refrigerador.

GUARDE ESTAS INSTRUCCIONES

PIEZAS Y CARACTERÍSTICAS

CARACTERÍSTICAS ESPECIALES

1 PANTALLA DE LED DEL PANEL DE CONTROL

Los simples controles electrónicos son fáciles de usar. La pantalla de LED indica temperaturas del refrigerador y del congelador, muestra el estado del filtro de agua, información sobre el dispensador, y más.

2 ICE PLUS

Si está activada esta función, la sección del refrigerador funcionará a la temperatura más baja posible durante 24 horas para aumentar la producción de hielo un 20 por cien.

3 DISPENSADOR DE AGUA FILTRADA Y HIELO

El dispensador ofrece agua fresca, fría y filtrada a través de la puerta. El dispensador ofrece hielo en cubitos o picado.

4 ALARMA DE LA PUERTA

Si la puerta del refrigerador o la heladera permaneciese abierta durante más de 60 segundos, la unidad emitiría avisos de alarma a intervalos de 30 segundos.

5 DEPÓSITO DE HIELO DEL INTERIOR DE LA PUERTA

La máquina para hacer hielo automáticamente produce 80-130 cubitos en un período de 24 horas para mantener el dispensador de hielo bien abastecido. El diseño dentro de la puerta crea más espacio en los estantes.

6 CAJONES DE VERDURAS Y FRUTAS

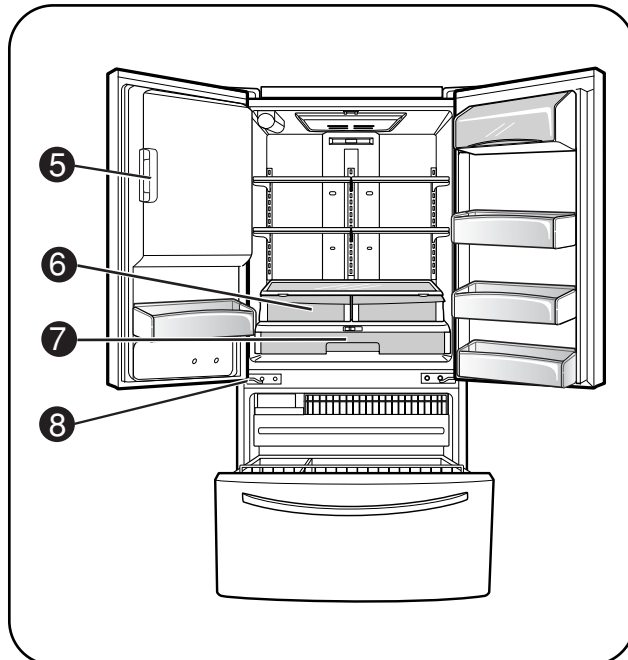
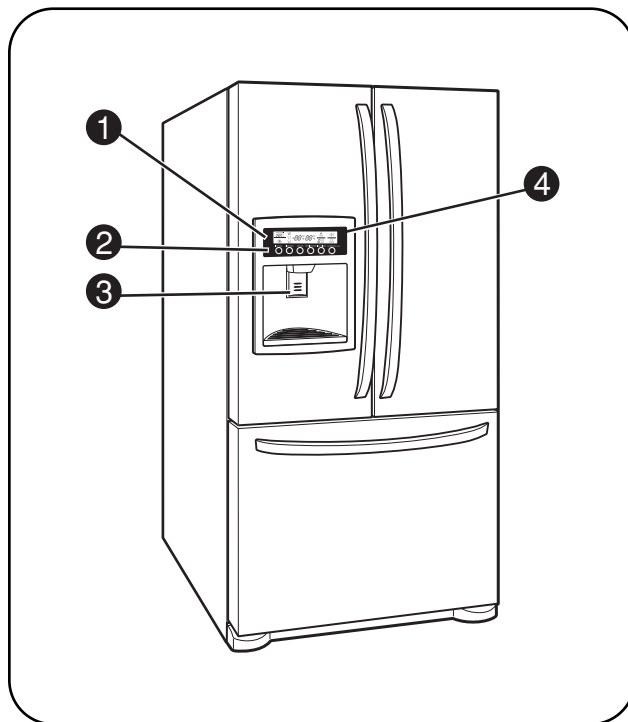
Los cajones de LG mantienen los vegetales frescos.

7 GLIDE'N'SERVE (CAJÓN DESLIZANTE)

Proporciona espacio de almacenamiento con un control de temperatura variable que mantiene el compartimento más frío que el refrigerador.

8 BISAGRA AUTOCIERRE

Al empujar ligeramente la puerta del refrigerador, ésta se cerrará automáticamente. (La puerta se cerrará automáticamente en un ángulo no superior a 30 grados).



NOTA: Esta guía recoge las instrucciones relativas a varios modelos distintos.

El refrigerador que ha adquirido puede contar con todos, o algunos, de los siguientes elementos. Los emplazamientos de las siguientes funciones pueden o no coincidir con las de su modelo.

PIEZAS Y CARACTERÍSTICAS

PIEZAS Y COMPONENTES IMPORTANTES

Además de las características y componentes especiales señalados en la sección **Características Especiales**, existen otros componentes importantes mencionados en este manual.

1 REPISA DEL CONGELADOR, REGULABLE.

Los estantes del refrigerador son ajustables para mayor flexibilidad en el almacenamiento.

2 RECIPIENTES DE PUERTA MODULARES

Tres cajones intercambiables que pueden disponerse para satisfacer las necesidades de almacenamiento.

3 RECIPIENTE DE ALMACENAMIENTO DE HIELO DESMONTABLE

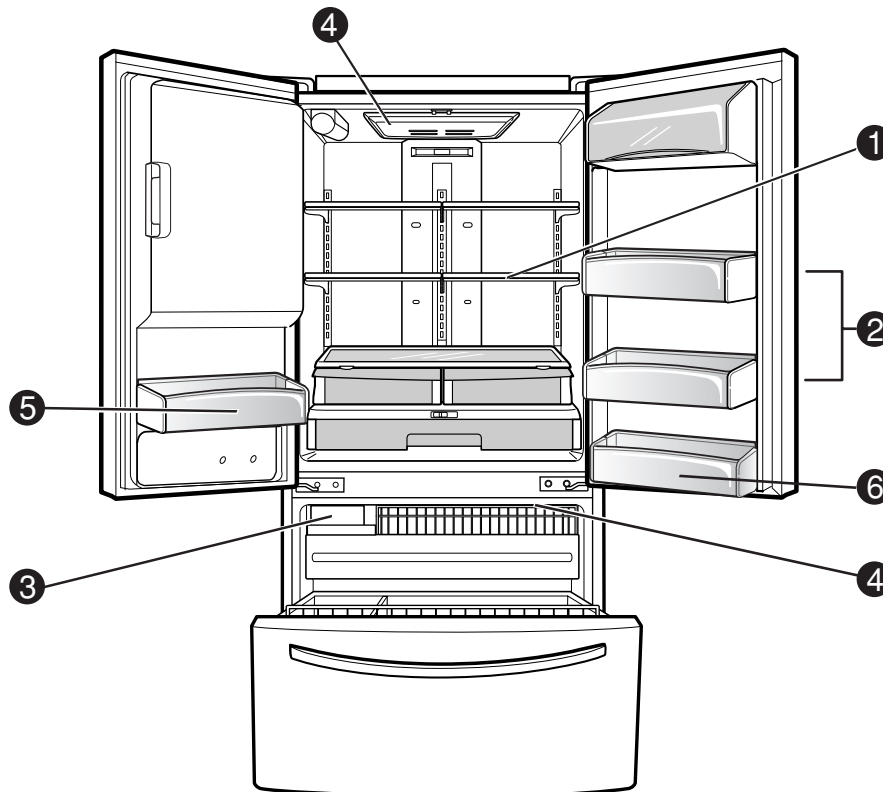
El recipiente de almacenamiento de hielo puede quitarse para llenar hieleras, heladeritas, o jarras.

4 LÁMPARAS INTERIORES

Dos lámparas individuales iluminan el congelador y la parte interna del refrigerador.

5 DEPÓSITO PARA PUERTA FIJO

6 DEPÓSITO PARA PUERTA FIJO



INSTALACIÓN

ELIJA LA UBICACIÓN ADECUADA

⚠️ ADVERTENCIA

Peligro de peso excesivo

Se necesitan dos o más personas para trasladar o desempacar el artefacto.

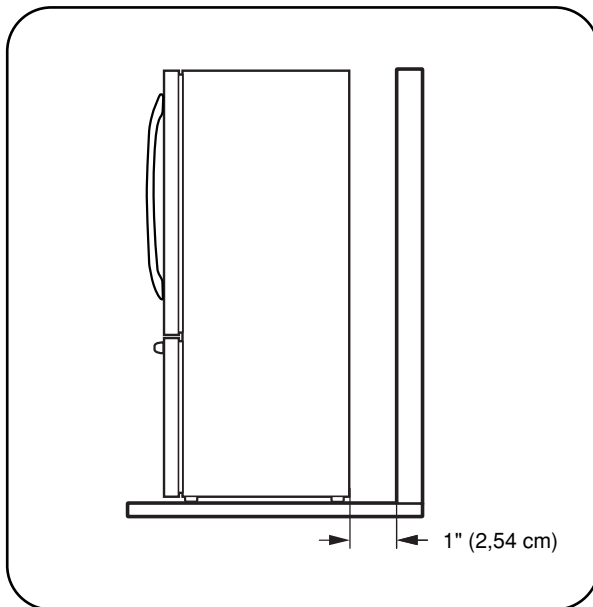
- Almacene e instale el refrigerador donde no vaya a sufrir temperaturas bajo cero o condiciones climáticas externas.
- Instale este artefacto en un área donde la temperatura se encuentre entre los 55°F (13°C) y 110°F (43°C). Si la temperatura alrededor del artefacto es demasiado alta o baja, la capacidad de enfriamiento puede verse afectada negativamente.
- Si este refrigerador se instala donde la temperatura supera los 110°F (43°C), la capacidad de congelado se ve comprometida y el costo de electricidad consumida se elevará.

- A fin de reducir el riesgo de una descarga eléctrica, no instale el refrigerador en un área húmeda o mojada.
- Seleccione una ubicación donde pueda conectar fácilmente el suministro de agua necesario para la máquina automática de hielo y el dispensador.
- Una instalación inestable puede provocar vibraciones y ruidos. Si el suelo no está nivelado, nivélelo haciendo rotar la altura de los tornillos de ajuste.
- Conecte a tierra el refrigerador para cumplir con los códigos y ordenanzas vigentes.

⚠️ PRECAUCIÓN

Evite ubicar la unidad cerca de fuentes de calor, luz directa del sol, o humedad.

ESPACIOS LIBRES



- Una distancia muy pequeña desde los elementos adyacentes puede disminuir la capacidad de enfriamiento y elevar el gasto de electricidad. Deje por lo menos 24 pul. (61 cm) frente al refrigerador para poder abrir las puertas.

NOTA: Para obtener información detallada acerca de las dimensiones y especificaciones de la unidad, consulte la página 124.

PISOS

- Para minimizar ruidos y vibraciones, el refrigerador DEBE estar instalado en un piso de construcción sólida.
- Para evitar vibraciones, la unidad debe estar nivelada. Si fuera necesario, ajuste las patas niveladoras para compensar el desequilibrio del piso. La parte delantera debe estar un poco más elevada que la trasera para facilitar el cierre de la puerta. Los pies de nivelación pueden girarse fácilmente empujando contra la parte superior del refrigerador para quitar el peso de los apoyos. Gire las patas de nivelación en sentido de las agujas del reloj para levantar la unidad o en sentido contrario a las agujas del reloj para bajarla.

- No se recomienda el uso de alfombras y de baldosas frágiles.
- Nunca instale el refrigerador en una plataforma o una estructura de apoyo débiles.

NOTA: Cuando desplace el refrigerador para realizar la limpieza o para efectuar un servicio, asegúrese de proteger el piso. Siempre tire del refrigerador hacia afuera cuando lo mueva. No menea o contonee el refrigerador cuando quiera desplazarlo, porque podría dañar el piso.

NOTA: Es recomendable desmontar las puertas cuando sea necesario desplazar el refrigerador a través de un hueco estrecho.

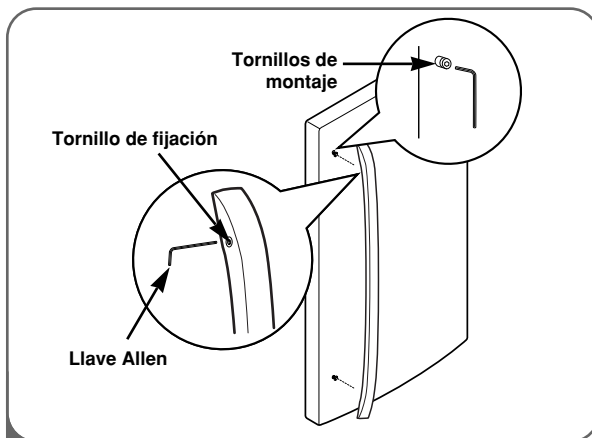
CÓMO QUITAR LA MANIJA

Para trasladar el refrigerador a través de una puerta, puede ser necesario quitar las manijas de la puerta del refrigerador.

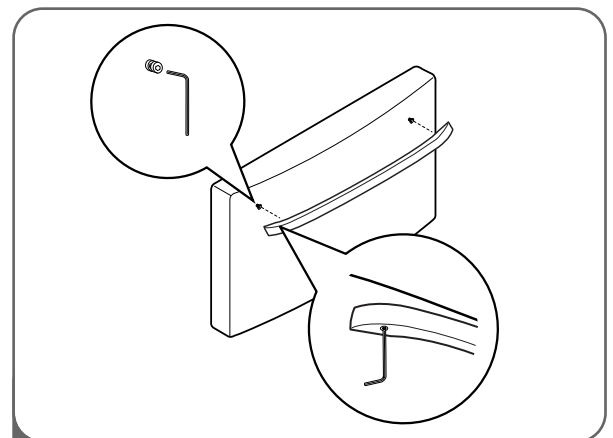
NOTA: La apariencia de las manijas puede diferir de las incluidas en la ilustración.

⚠ PRECAUCIÓN

- Tenga mucho cuidado al quitar las manijas para evitar rayar las puertas.
- La manija puede dañarse si la golpea con un martillo mientras la quita o coloca.
- Cuando coloque o quite una manija, usted debe empujar y tirar de ella con bastante fuerza.



- 1 Afloje los tornillos de fijación con una llave Allen de 2,5 mm (3/32") y retire la manija.
NOTA: Para ajustar o retirar los tornillos de montaje de la manija utilice una llave Allen de 1/4".

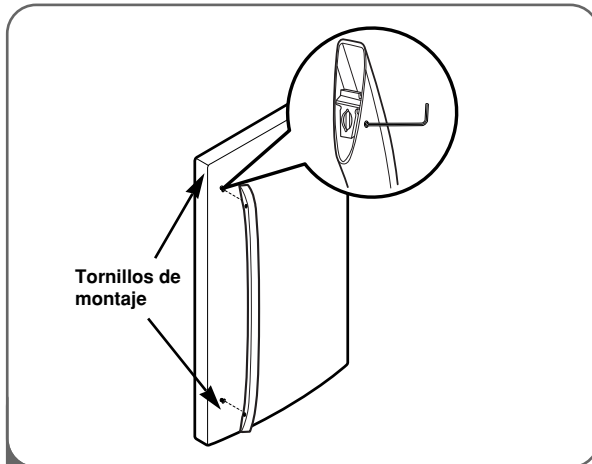


- 2 Afloje los tornillos de fijación ubicados en la parte inferior de la manija con una llave Allen de 2,5 mm (3/32") y retire la manija.
NOTA: Para ajustar o retirar los tornillos de montaje de la manija utilice una llave Allen de 1/4".

INSTALACIÓN

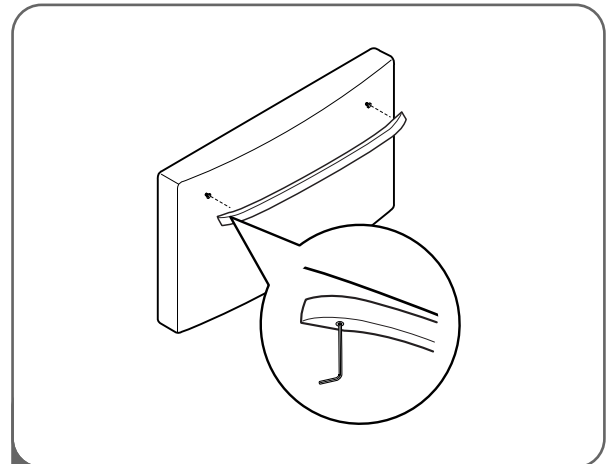
CÓMO QUITAR LA MANIJA (CONT.)

REINSTALACIÓN DE LA MANIJA



- 1 Coloque el tirador en la puerta, alineándolo según su plantilla, para fijar los pasadores de montaje y apriete los tornillos del conjunto con ayuda de una llave Allen de 2,5 mm (3/32").

NOTA: Para ajustar o retirar los tornillos de montaje de la manija utilice una llave Allen de 1/4".



- 2 Coloque el tirador en la puerta, alineándolo según su plantilla, para fijar los pasadores de montaje y apriete los tornillos del conjunto en la parte de abajo del tirador con ayuda de una llave Allen de 2,5 mm (3/32").

NOTA: Para ajustar o retirar los tornillos de montaje de la manija utilice una llave Allen de 1/4".

CÓMO QUITAR LA PUERTA Y EL CAJÓN

CÓMO QUITAR LA PUERTA

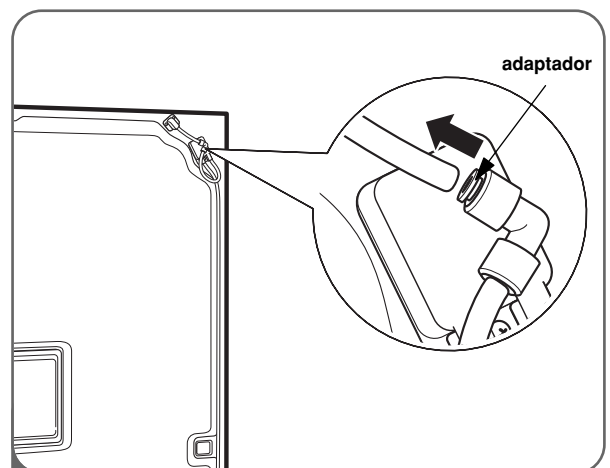
⚠ ADVERTENCIA

Peligro de descarga eléctrica

- Desconecte el suministro eléctrico de la refrigeradora antes de la instalación. No hacerlo podría causar lesiones graves o incluso la muerte.
- No introduzca sus manos o pies, ni objetos metálicos, en los conductos de ventilación, rejilla de la base o la parte inferior de la refrigeradora. Podría sufrir daños o recibir una descarga eléctrica.
- Tenga cuidado al trabajar con la bisagra, parrilla de la base y retén. Puede resultar herido.

Antes de comenzar, retire los alimentos y recipientes de las puertas.

Si la puerta de entrada de su hogar es demasiado angosta para que pase el refrigerador, quite la puerta del refrigerador y traslade el mismo de costado a través de la puerta.



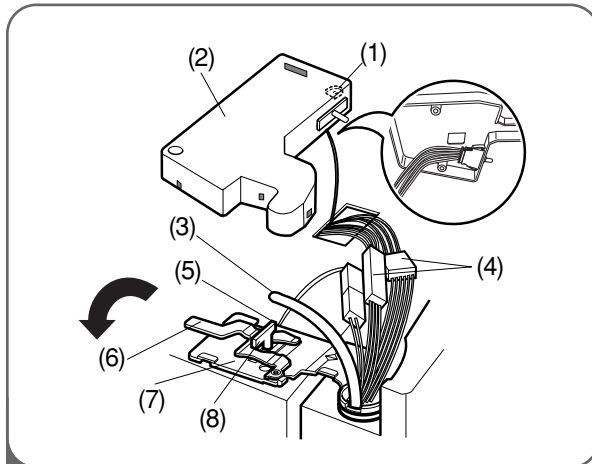
- 1 **Para quitar la puerta izquierda del refrigerador:**

Saque el tubo de agua del accesorio mientras presiona el anillo de liberación del mismo.

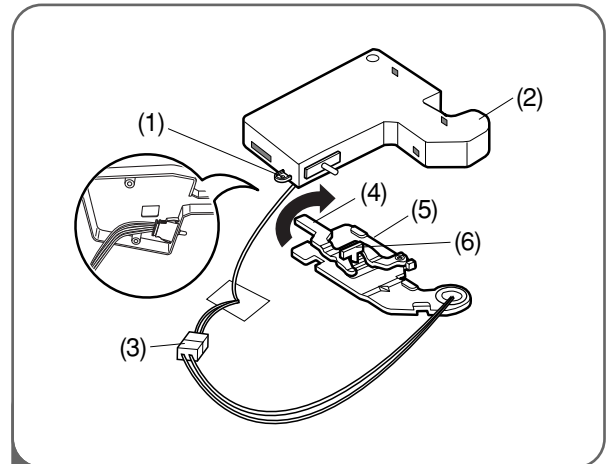
NOTA: Al extraer el tubo, primero deberá empujar el collar en la dirección opuesta a la flecha indicada en la imagen superior mientras tira del tubo en la dirección de la flecha.

CÓMO QUITAR LA PUERTA Y EL CAJÓN (CONT.)

CÓMO QUITAR LA PUERTA (CONT.)



- 2**
- Abra la puerta. Retire el tornillo de la tapa de la bisagra superior (1).
 - Use un destornillador de lados planos para destrabar los ganchos (no se muestran) en el lado inferior frontal de la tapa (2). Levante la tapa.
 - Retire la tapa. Quite el tubo (3).
 - Desconecte todos los arneses de cableado (4).
 - Quite el tornillo de conexión a tierra (5).
 - Gire la palanca de la bisagra (6) en el sentido contrario a las agujas del reloj. Levante la bisagra superior (7) separada del sujetador de la palanca de la bisagra (8).
- IMPORTANTE:** Cuando levante la bisagra separada del sujetador, tenga cuidado de que la puerta no caiga hacia delante.
- Levante la puerta desde la clavija de la bisagra del medio y quite la puerta.
 - Coloque la puerta, con la parte interna hacia arriba, sobre una superficie que no raye.

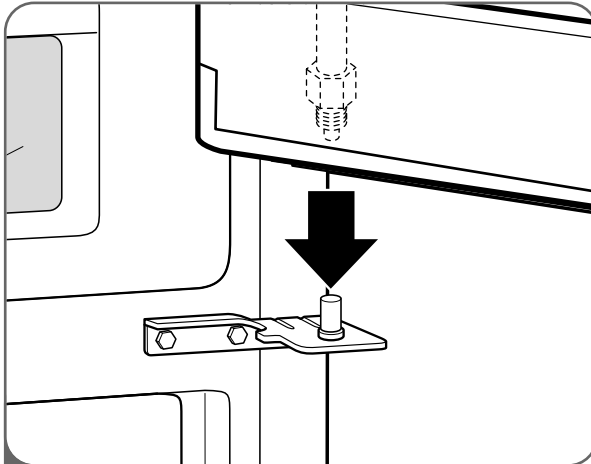


- 3**
- Para quitar la puerta derecha del refrigerador:**
- Abra la puerta. Retire el tornillo de la tapa de la bisagra superior (1). Levante la tapa (2).
 - Retire la tapa.
 - Desconecte el arnés de cableado (3).
 - Gire la palanca de la bisagra (4) en el sentido de las agujas del reloj. Levante la bisagra superior (5) separada del sujetador de la palanca de la bisagra (6).
- IMPORTANTE:** Cuando levante la bisagra separada del sujetador, tenga cuidado de que la puerta no caiga hacia delante.
- Levante la puerta desde la clavija de la bisagra del medio y quite la puerta.
 - Coloque la puerta, con la parte interna hacia arriba, sobre una superficie que no raye.

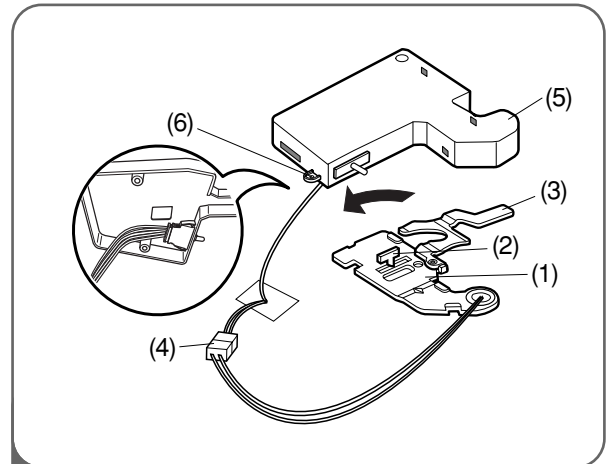
INSTALACIÓN

CÓMO QUITAR LA PUERTA Y EL CAJÓN (CONT.)

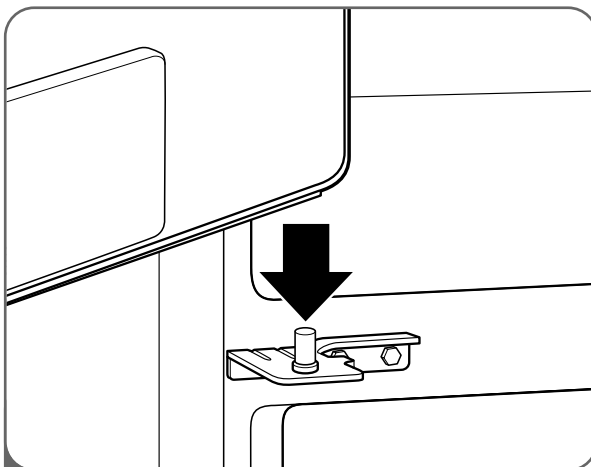
REINSTALACIÓN DE LA PUERTA



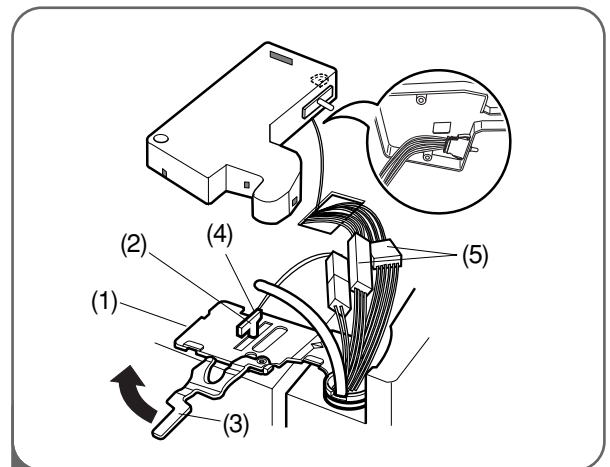
- 1 Instale primero la puerta derecha.
- Baje la puerta sobre la clavija de la bisagra del medio como puede verse.
 - Asegúrese de que el manguito de plástico esté insertado en la parte inferior de la puerta.



- 2
- Coloque la bisagra superior (1) sobre el sujetador de la palanca de la bisagra (2) y en su lugar. Gire la palanca en sentido contrario a las agujas del reloj y ajuste la bisagra (3).
 - Conecte el arnés de cableado (4).
 - Enganche la lengüeta sobre el lado del interruptor de la puerta de la tapa (5) bajo el extremo de la apertura del cableado en la parte superior del gabinete. Coloque la tapa en su lugar. Introduzca y ajuste el tornillo de la tapa (6).



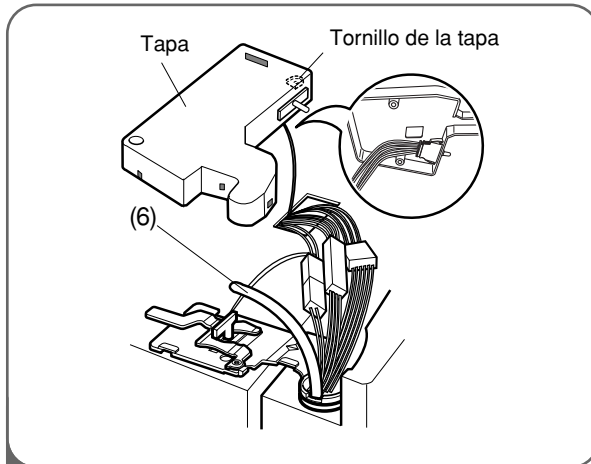
- 3 Instale la puerta izquierda.
- Baje la puerta sobre la clavija de la bisagra del medio.



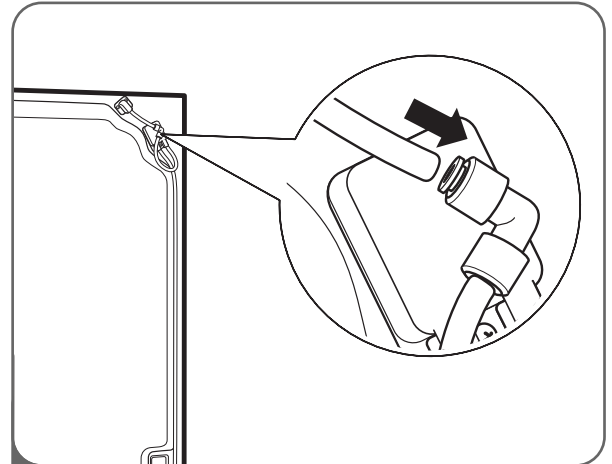
- 4
- Coloque la bisagra superior (1) sobre el sujetador de la palanca de la bisagra (2) y en su lugar. Gire la palanca en sentido de las agujas del reloj y ajuste la bisagra (3).
 - Instale el tornillo de toma a tierra (4) y conecte todos los arneses (5).

CÓMO QUITAR LA PUERTA Y EL CAJÓN (CONT.)

REINSTALACIÓN DE LA PUERTA (CONT.)

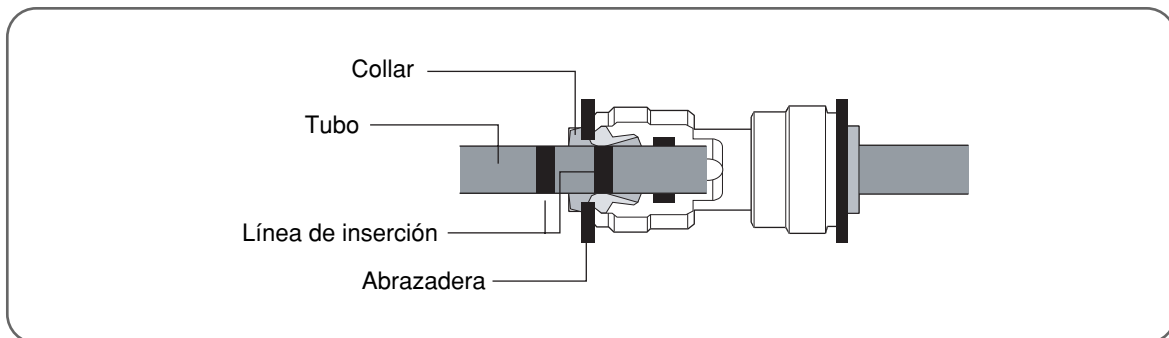


- 5 • Empuje el tubo de suministro de agua (6) por el orificio de la parte superior y sáquelo por la parte posterior.

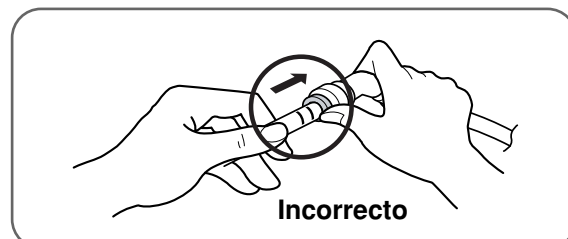
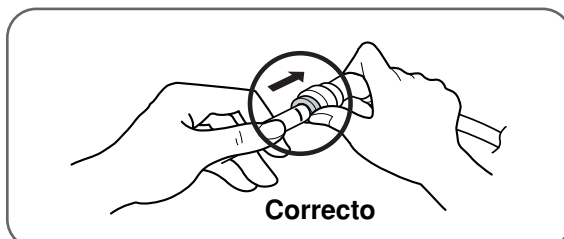


- 6 Introduzca el tubo de suministro de agua dentro del conector.
- Introduzca el tubo por lo menos 5/8 in. (15 mm) dentro del conector.
 - Enganche la lengüeta ubicada sobre el lado del interruptor de la puerta de la tapa bajo el extremo de la apertura del cableado en la parte superior del gabinete. Coloque la tapa en su lugar. Introduzca y ajuste el tornillo de la tapa.

⚠️ AVERTISSEMENT



1. Inserte el tubo hasta que sólo pueda ver una línea.
2. Tras insertarlo, extraiga el tubo para comprobar si ha sido insertado correctamente.
3. Abrazadera de montaje.



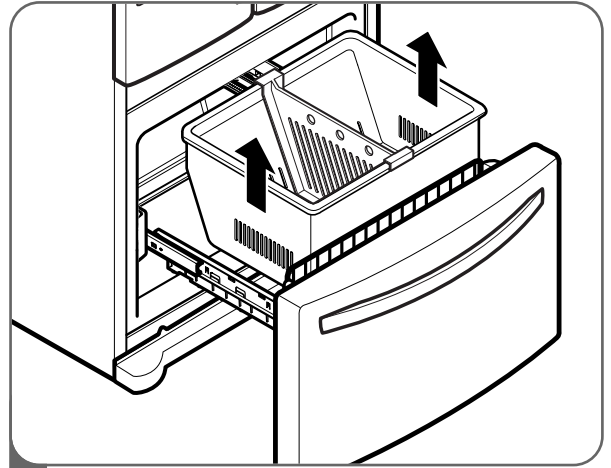
INSTALACIÓN

CÓMO QUITAR LA PUERTA Y EL CAJÓN (CONT.)

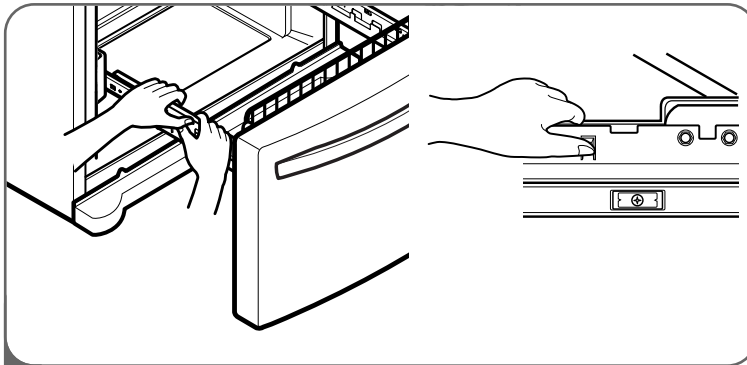
CÓMO QUITAR EL CAJÓN DEL CONGELADOR

⚠PRECAUCIÓN

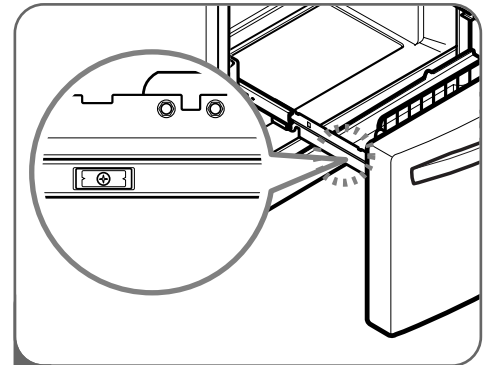
- A fin de evitar posibles lesiones o daños al producto y a la propiedad, harán falta dos personas para llevar a cabo las siguientes instrucciones.
- Al extraer el cajón, no sujete el tirador. Se podría desprender y ocasionar lesiones personales.
- Cuando deposite el cajón, tenga cuidado de no dañar el piso o lastimar sus pies con los extremos afilados del lado de la bisagra.



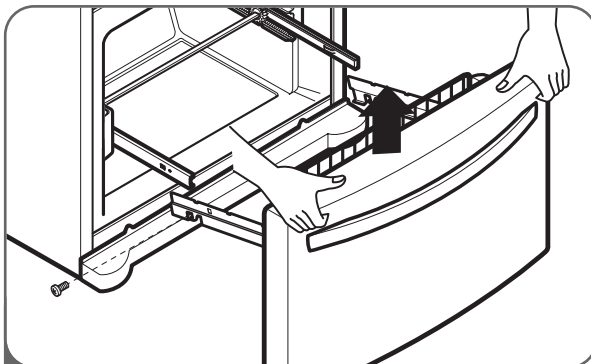
- 1 Para quitar el cajón del congelador, abra el cajón por completo. Quite la canasta inferior DuraBase® levantando la canasta desde el sistema de rieles.



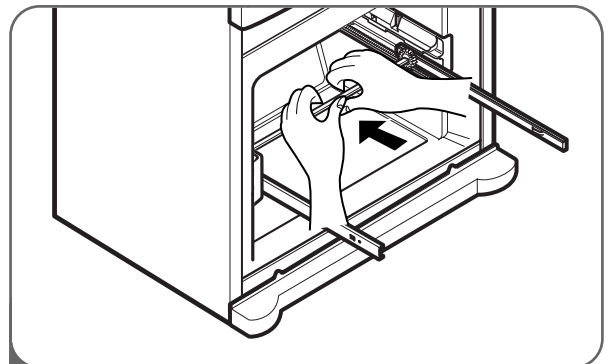
- 2 Separe la cubierta izquierda y derecha de la guía.



- 3 Retire los tornillos de ambos lados de la guía.



- 4 Con ambas manos, sujete los dos lados de la puerta y tire hacia arriba para separarla.



- 5 Con las dos manos, flexione el centro de la barra lo suficiente para permitir que los mecanismos de ambos extremos se suelten del riel.

⚠CUIDADO : Cuando Ud. quite el cajón, no sostenga la agarradera. Si se sale, podría causar lesiones personales.

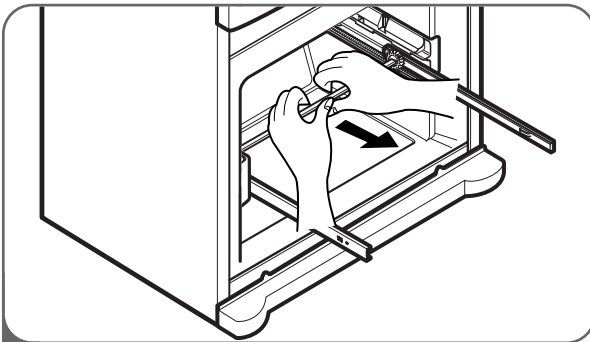
⚠CUIDADO : Al colocar el cajón en el piso, tenga cuidado de no dañar el piso y lesionarse el pie con las orillas afiladas en el lado de la bisagra.

CÓMO QUITAR LA PUERTA Y EL CAJÓN (CONT.)

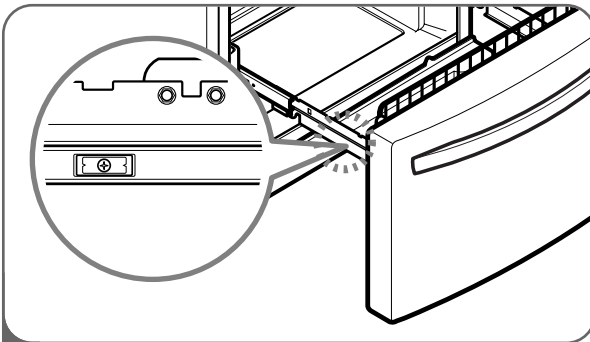
CÓMO REINSTALAR EL CAJÓN DEL CONGELADOR

⚠️ PRECAUCIÓN

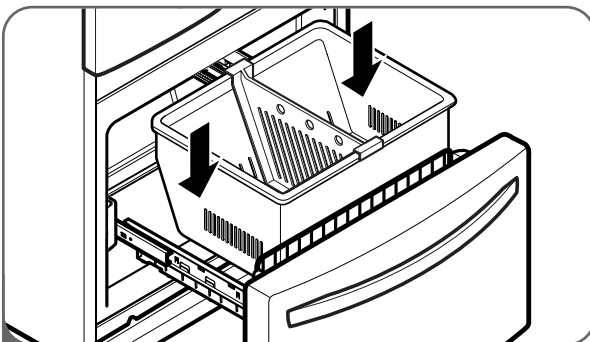
- A fin de evitar posibles lesiones o daños al producto y a la propiedad, harán falta dos personas para efectuar las siguientes instrucciones.



- 1 Para volver a instalar el cajón del freezer, sostenga la barra central con ambas manos y tire hacia afuera hasta que los dos rieles estén extendidos por completo.



- 3 Empuje hacia abajo y monte el conector de la puerta apretando los tornillos.

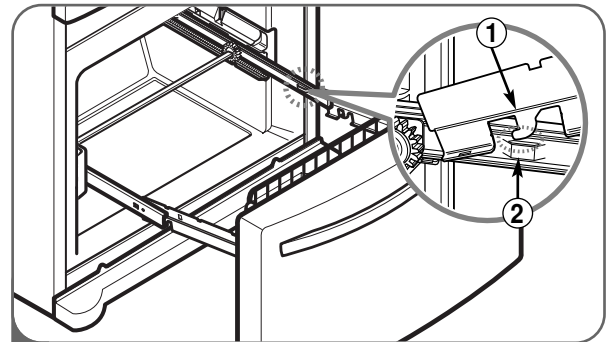


- 5 Con el cajón extraído en toda su extensión, inserte la canasta inferior en el ensamblaje del riel hasta que no se mueva hacia adelante.

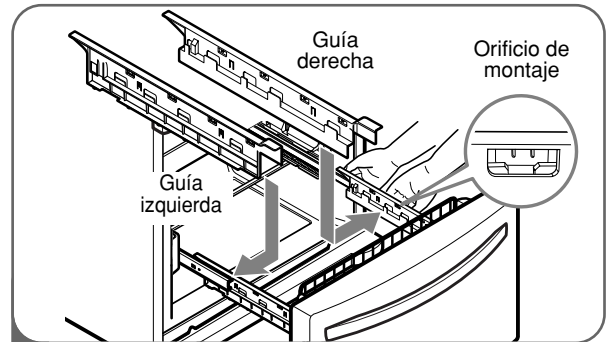
⚠️ PELIGRO

Riesgo de encierro para niños

- Para evitar el encierro accidental y riesgo de asfixia de niños y animales, NO permita que jueguen dentro del cajón del freezer.
- NO se pare o siente sobre el cajón del freezer.



- 2 Monte el conector de la puerta (1) a la percha de la guía (2).



- 4 Alinee los orificios superiores de la cubierta de la guía con los orificios superiores del conector de la puerta para montar la guía de la cubierta .

⚠️ **ADVERTENCIA:** Para prevenir riesgos de atrapamiento y sofocación accidental de niños y mascotas, NO les permita jugar dentro del cajón.

⚠️ **ADVERTENCIA:** NO se pare ni se siente sobre la puerta del congelador.

CÓMO CONECTAR EL SUMINISTRO DE AGUA

⚠️ ADVERTENCIA

Conecte solamente a una fuente segura de agua potable.

- La presión de agua debe ser de 21~121 psi (1,5~8,5 kgf/cm²) en modelos sin filtro de agua y entre 43 y 121 psi (3~8,5 kgf/cm²) en modelos con filtro de agua.
- Si la presión no alcanza los 21 psi (1,5 kgf/cm²) o cae debajo de la misma, resulta necesario comprar una bomba de presión separada para lograr un funcionamiento normal de la máquina automática de hielo y del dispensador de agua.
- Se recomienda que la longitud del tubo de suministro de agua no supere los 26 pies (8 m).
- Instale la línea de suministro de agua donde no se vea afectada por el calor.

IMPORTANTE: Lea todas las instrucciones por completo antes de comenzar.

- Si pone en funcionamiento el refrigerador antes de instalar la conexión de agua, gire la máquina de hielo a la posición OFF (apagado) para evitar el funcionamiento sin agua.
- Todas las instalaciones deben cumplir con requerimientos locales de códigos de plomería.
- Use tuberías de cobre y controle posibles pérdidas.
- Instale tuberías sólo en áreas en donde las temperaturas se mantengan por encima del punto de congelación.
- La máquina de hacer hielo puede tardar hasta 24 horas en comenzar a producir cubitos.

Herramientas necesarias

- Destornillador estándar
- Llave inglesa de extremo abierto de 7/16 pulg. y 1/2 pulg. o dos llaves ajustables
- Llave de tuercas de 1/4 pulg
- Broca de perforadora de 1/4 pulg
- Perforadora de mano o eléctrica (con conexión a tierra adecuada)

NOTA: Los vendedores de refrigeradores ofrecen un kit con una válvula de retención de tipo montura, una unión, y una tubería de cobre.

Antes de comprar, verifique que la válvula tipo montura cumpla con los códigos de plomería.

No utilice una válvula de montura del tipo perforadora o de 3/16 pulg., ya que reduce el flujo de agua y se tapa más fácilmente.

NOTA: Deberá cumplirse con el Código de Plomería de la Mancomunidad de Massachusetts 248CMR.

Las válvulas de montura son ilegales en Massachusetts y su uso no está permitido. Consulte con un plomero matriculado.

Suministro de agua fría

- La válvula de agua de la máquina de hielo contiene una arandela de fl ujo que se utiliza como un regulador de presión de agua.
- La máquina de hielo necesita estar conectada a una línea de agua fría con una presión de agua de 21~121 psi (1,5~8,5 kgf/cm²) en modelos sin fi ltro de agua y entre 43 y 121 psi (3~8,5 kgf/ cm²) en modelos con fi ltro de agua.

CÓMO CONECTAR LAS LÍNEAS DE AGUA

IMPORTANTE: Antes de conectar las tuberías a la línea de agua, desenchufe el refrigerador o desconecte la energía.

- Apague el suministro de agua principal y abra la canilla más cercana para liberar presión de la línea. Abrir una canilla externa puede ayudar a drenar agua de la línea del hogar.
- Busque una tubería vertical de agua FRÍA de 1/2 pulg. ubicada cerca del refrigerador.

NOTA: Puede utilizarse una tubería horizontal, pero debe tomarse la siguiente precaución:

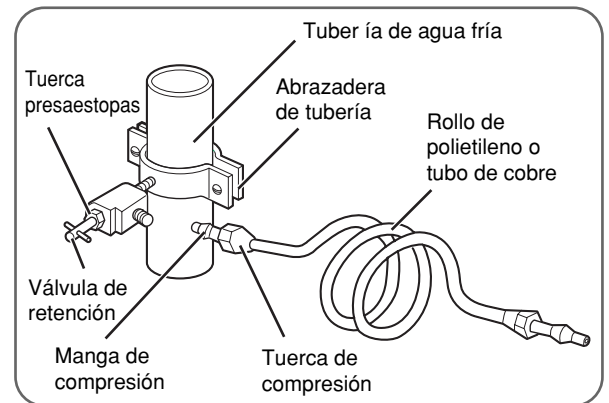
Perfore la parte superior de la tubería, no la inferior. Esto servirá para mantener el agua lejos de la perforadora y también evitará que se acumule sedimento en la válvula.

- Para determinar la longitud de la tubería de cobre que necesitará, mida la distancia desde la conexión de la parte inferior izquierda del refrigerador hasta la tubería de agua. Agregue 7 pies (2,1 m) para permitir el desplazamiento del refrigerador para la limpieza. Use tuberías de cobre de 1/4 pulg. de diámetro externo. Verifique que ambos lados de la tubería de cobre estén cortados en ángulo recto.
- Con una perforadora, realice un orificio de 1/4 pulg. en la tubería de agua fría.

CÓMO CONECTAR LAS LÍNEAS DE AGUA (CONT.)

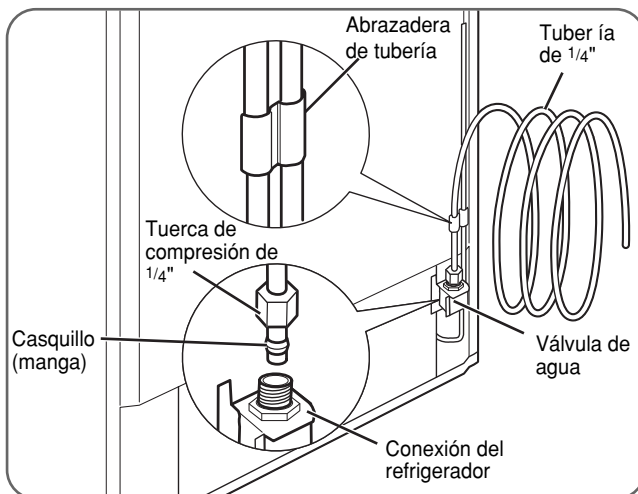
- Conecte la válvula de retención a la tubería de agua fría con la abrazadera. Asegúrese de que el extremo de la salida se encuentre bien colocado en el orificio de 1/4 pulg. de la tubería de agua y que la arandela esté bajo la abrazadera de la tubería. Ajuste la tuerca prensaestopas. Ajuste los tornillos de la abrazadera con cuidado y en forma pareja para que la arandela haga un sellado hermético. No ajuste de más ya que puede romper la tubería de cobre, especialmente si utiliza tubería de cobre blanda (enrollada). Ya está listo para conectar la tubería de cobre
- Deslice la manga de compresión y la tuerca de compresión en la tubería de cobre como puede verse. Introduzca el extremo de la tubería en la salida hasta donde sea posible. Atornille la tuerca de compresión en el extremo de la salida con una llave inglesa. Una llave para tuercas cónicas es lo mejor, pero es suficiente una llave de extremo abierto. No ajuste de más.

- Coloque el extremo libre de la tubería en el recipiente o fregadero, y abra el suministro de agua principal. Haga circular agua por la tubería hasta que el agua salga limpia. Cierre la válvula de retención de la tubería de agua. Enrosque la tubería de cobre como puede verse.



IMPORTANTE: Antes de conectar la tubería al refrigerador, asegúrese de que el cable de energía del refrigerador no esté enchufado en el tomacorriente.

NOTA: Si su refrigerador está equipado con un filtro de agua interno, no deberá utilizarse un filtro de agua externo en línea.



- Quite la tapa plástica flexible de la válvula de agua.
- Coloque la tuerca de compresión y casquillo (manga) en el extremo de la tubería como puede verse.

- Introduzca el extremo de la tubería de cobre en la conexión lo más adentro posible. Mientras sostiene la tubería, ajuste el accesorio.

IMPORTANTE: Ajuste las conexiones que tengan pérdidas. Abra el agua desde la válvula de retención.

- Enchufe el refrigerador.
- Coloque el rollo de tubería de cobre detrás del refrigerador de modo que no vibre contra la parte trasera del refrigerador o la pared.
- Controle la presencia de pérdidas.
- Antes de conectar la línea de agua en casa, purgue la línea de agua durante 2 minutos.

NOTA: El agua puede tardar unos segundos en comenzar a fluir hasta que el tanque interno se llene y el aire desaparezca de las líneas.

- Empuje el refrigerador contra la pared.
- Coloque el interruptor de la máquina de hacer hielo en la posición ON (encendido).

NOTA: La máquina de hielo comenzará a funcionar cuando alcance la temperatura de 15°F (-9°C). Comenzará a funcionar de manera automática.

NOTA: Deseche las primeras tandas de hielo (cerca de 20 cubitos).

CÓMO NIVELAR LAS PUERTAS DEL REFRIGERADOR

⚠️ ADVERTENCIA

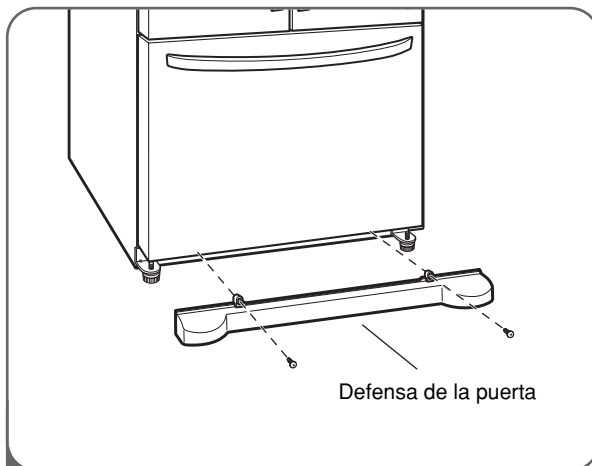
Peligro de descarga eléctrica

- Tenga cuidado al trabajar con las bisagras, parrilla de la base, y retén. Puede resultar herido.
- No introduzca manos o pies, u objetos metálicos, en los conductos de ventilación, rejilla de la base o en la parte inferior del refrigerador. Podría sufrir daños o recibir una descarga eléctrica.

Nivelación

Después de la instalación, fije el producto con el SOPORTE para evitar que se mueva hacia la izquierda o derecha.

Su refrigerador cuenta con dos patas niveladoras en el frente, una sobre la derecha y otra sobre la izquierda. Ajuste las patas para modificar la inclinación de frente a parte trasera o de lado a lado. Si su refrigerador no parece estable o si desea que las puertas se cierren más fácilmente, ajuste la inclinación del refrigerador siguiendo las siguientes instrucciones:



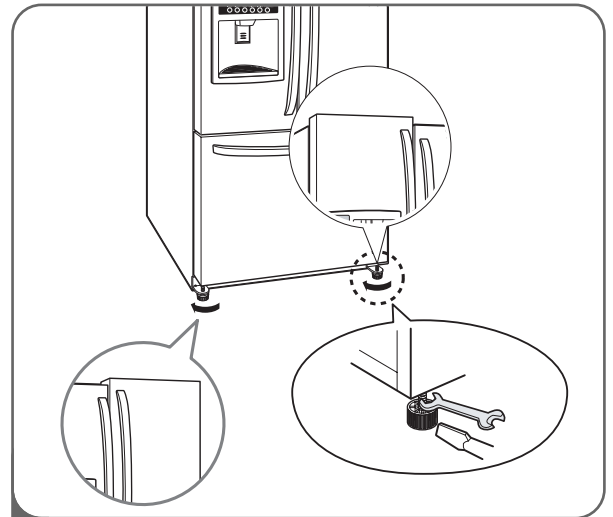
- 1 Enchufe el cable de energía en un tomacorriente de tres patas con conexión a tierra y desplace el refrigerador a su ubicación final. Quite los tornillos de la defensa de la puerta y luego la defensa de la puerta.

- Abra el cajón del congelador.
- Una vez abierto el cajón, queda suficiente espacio para quitar los tornillos ubicados sobre la defensa de la puerta.

NOTA: Para volver a instalar la defensa, colóquela en su lugar y luego introduzca los tornillos.

⚠️ PRECAUCIÓN

- A fin de evitar posibles lesiones o daños al producto y a la propiedad, harán falta dos personas para llevar a cabo las siguientes instrucciones.



- 2 Nivele el refrigerador mediante una llave de 18mm o un destornillador de punta plana.

Suba (en sentido horario) o baje (en sentido antihorario) la pata izquierda /derecha para nivelar el refrigerador.

NOTA: Si alguien empuja el refrigerador hacia atrás desde la parte superior, se quita peso sobre las patas de nivelación, lo que facilita el ajuste.

NOTA: Abra las dos puertas para verificar que cierren bien. Si no, eleve las patas niveladoras girando las dos en forma equitativa en sentido de las agujas del reloj.

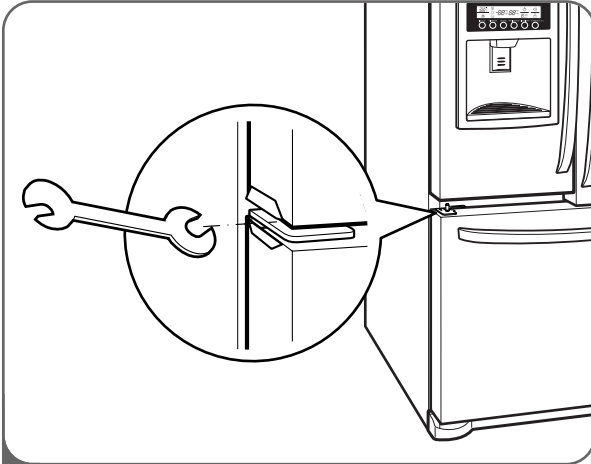
Una vez que el refrigerador esté nivelado, vuelva a colocar la defensa de la puerta.

NOTA: Su nuevo refrigerador tiene un diseño original de dos puertas para alimentos frescos. Las dos puertas pueden abrirse o cerrarse de manera independiente. Tendrá que ejercer un poco de presión sobre las puertas para cerrarlas por completo.

NOTA: Para evitar desplazar el refrigerador hacia delante y atrás, fíjelo al suelo mediante 'Ajuste' para su instalación y uso.

CÓMO NIVELAR LAS PUERTAS DEL REFRIGERADOR (CONT.)

ALINEACIÓN DE LAS PUERTAS



- 1 • Desmonte la rejilla base.
 - Gire los soportes niveladores para aumentar (CCW) o disminuir (CW) la altura de la parte frontal del frigorífico utilizando el destornillador de cabeza plana o la llave de 1 1/32" pulg.
 - Utilice la llave (incluida con el Manual de usuario) para ajustar el tornillo de la bisagra de la puerta y ajustar la altura. (En sentido contrario a las agujas del reloj para subir o en el sentido de las agujas del reloj para bajar)

INICIO

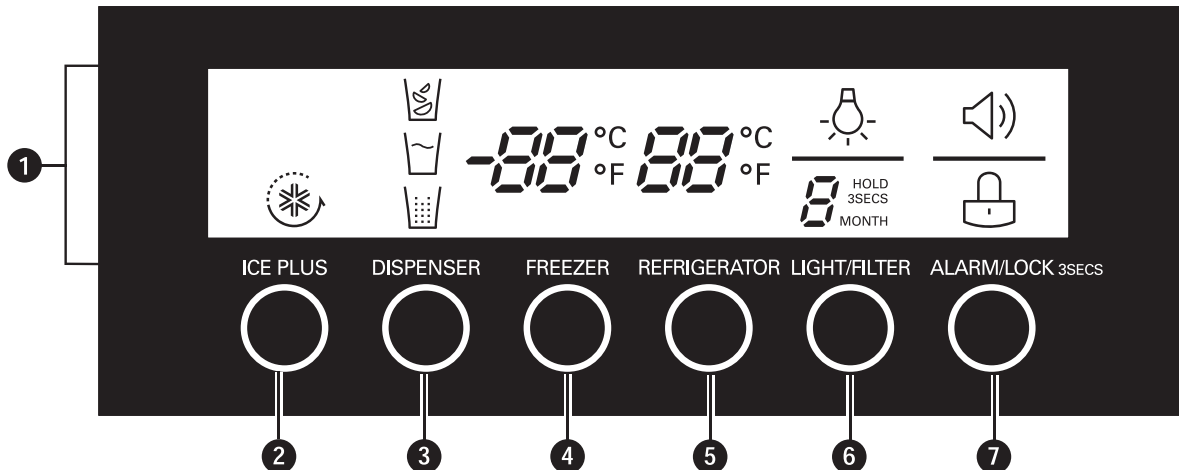
Antes de cargar su refrigerador con alimentos frescos:

- Quite cintas adhesivas o etiquetas temporarias de su refrigerador antes del uso. Para quitar restos de adhesivos, frote el área con el pulgar, o frote una pequeña cantidad de detergente de platos sobre el adhesivo con sus dedos. Limpie con agua tibia y seque. No utilice instrumentos filosos, alcohol, líquidos inflamables, o limpiadores abrasivos para quitar cinta adhesiva o pegamento.
NOTA: No quite etiquetas de advertencia, la etiqueta con el modelo y número de serie, o la planilla técnica adherida sobre la pared trasera del refrigerador.
- Limpie muy bien su refrigerador y elimine todo el polvo que se haya podido acumular durante el envío.
- Instale accesorios como el depósito de cubitos de hielo, cajones y baldas, en sus ubicaciones correspondientes. Están embalados juntos para evitar posibles daños durante el transporte.
- Ajuste la temperatura deseada para el refrigerador y congelador (ver Cómo ajustar la temperatura y las funciones).
- Deje funcionar su refrigerador por lo menos 2 o 3 horas antes de guardar alimentos. Verifique el flujo de aire frío en el congelador para garantizar un enfriamiento adecuado. Su refrigerador ya está listo para usar.

CÓMO UTILIZAR

CARACTERÍSTICAS DEL PANEL DE CONTROL

Para detalles completos sobre las funciones de los botones, ver páginas 108-110.



1 PANTALLA DE LED

La pantalla de LCD/LED muestra las configuraciones de temperatura, opciones del dispensador, y el filtro de agua, alarma de la puerta, y mensajes de estado de trabado.

2 BOTÓN ICE PLUS

Pulse este botón para activar la función ICE PLUS, la cual aumenta la producción de hielo en aprox. un 20 por ciento.

NOTA: Cuando se presiona simultáneamente con el botón FREEZER durante cinco segundos, la pantalla de Modo Ahorro Energía encenderá y apagará esta función.

3 BOTÓN DISPENSER

El botón DISPENSER (dispensador) se utiliza para seleccionar hielo en cubitos, agua, o hielo triturado.

4 BOTÓN FREEZER

Pulse el botón FREEZER (Congelador) para ajustar la temperatura del compartimento del frigorífico.

NOTA: Cuando lo presiona simultáneamente con el botón REFRIGERATOR (refrigerador) durante más de cinco segundos, la pantalla de temperatura cambiará de Fahrenheit a Celsius o viceversa. Cuando se presiona simultáneamente con el botón ICE PLUS durante cinco segundos, la pantalla de Modo Ahorro Energía encenderá y apagará esta función.

5 BOTÓN REFRIGERATOR

Presione el botón REFRIGERATOR (refrigerador) para ajustar la temperatura del refrigerador.

NOTA: Cuando lo presiona simultáneamente con el botón FREEZER durante más de cinco segundos, la pantalla de temperatura cambiará de Fahrenheit a Celsius o viceversa.

6 BOTÓN LIGHT/FILTER

El botón LIGHT/FILTER (luz/filtro) controla la lámpara del dispensador y reconfigura el indicador de cambio de filtro de agua cuando éste se ha reemplazado.

7 BOTÓN ALARM/LOCK (ALARMA/TRABA)

Presione este botón para controlar la alarma de apertura de puertas o para trabar o destrabar todos los demás botones de funciones del panel de control, incluyendo el funcionamiento del dispensador.

PANTALLA de LED

La pantalla de LED muestra las configuraciones de temperatura, opciones del dispensador, y el filtro de agua, alarma de la puerta, y mensajes de estado de trabado.

1 ESTADO DE ICE PLUS

Cuando se presiona el botón ICE PLUS, la pantalla indicará que la función seleccionada ha sido activada.

2 INDICADORES DE SELECCIÓN DEL DISPENSADOR

Muestra la selección de hielo triturado, agua, o cubitos que se servirá cuando se presione el interruptor.

3 TEMPERATURA DEL CONGELADOR

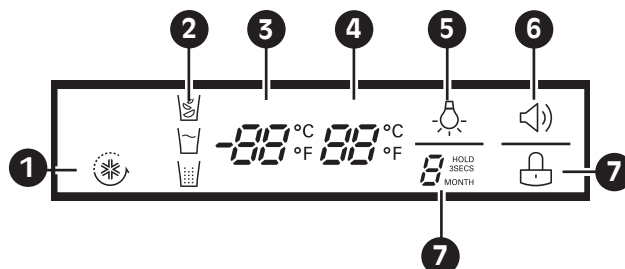
Indica la temperatura establecida del congelador en Celsius o Fahrenheit.

4 TEMPERATURA DEL REFRIGERADOR

Indica la temperatura establecida del refrigerador en Celsius o Fahrenheit.

5 INDICADOR DE LUZ DEL DISPENSADOR

Cuando la luz del dispensador está encendida o configurada para encenderse de forma automática (en algunos modelos), aparecerá este indicador en la pantalla.



6 INDICADOR DE ALARMA DE PUERTA

Este indicador señala que se ha activado la alarma de advertencia de apertura de puerta.

7 ESTADO DE TRABADO

Este indicador muestra que el estado actual de las funciones del panel de control se encuentra configurado en LOCK (trabado).

8 ESTADO DEL FILTRO DE AGUA

Este indicador muestra el estado actual del filtro de agua. Ver Reconfiguración del indicador del filtro.

CÓMO UTILIZAR

CÓMO AJUSTAR LAS TEMPERATURAS Y LA PANTALLA

Ajuste de la temperatura del refrigerador

Para ajustar la temperatura del refrigerador, presione el botón REFRIGERATOR para desplazarse a través de las opciones de configuración.



NOTA: La temperatura interna real varía en relación al estado de los alimentos, ya que la configuración de temperatura indicada es la temperatura objetivo y no la temperatura real dentro del refrigerador.

Inicialmente configure el CONTROL DEL REFRIGERADOR en 37°F (3°C). Deje esta configuración durante 24 horas (un día) para estabilizar. Luego ajuste la temperatura como se indica.

Pantalla Modo Ahorro de Energía

Esta función ubica la pantalla en el Modo Ahorro de Energía.



- Presione simultáneamente los botones FREEZER y ICE PLUS y sostenga durante 5 segundos hasta que suene un tono.
- Todas las luces LED se encenderán y luego apagarán.
- Cuando se active el Modo Ahorro de Energía, la pantalla permanecerá apagada hasta la próxima vez que se abra la puerta. La pantalla también se encenderá cuando se presione cualquier botón, y permanecerá encendida durante 20 segundos después de la última apertura de puerta o selección de botones.
- Para desactivar el Modo Ahorro de Energía, presione los botones FREEZER y ICE PLUS simultáneamente y sostenga durante 5 segundos hasta que suene un tono.

Ajuste de la temperatura del congelador

Para ajustar la temperatura del congelador, presione el botón FREEZER para desplazarse a través de las opciones de configuración.



Inicialmente configure el CONTROL DEL FREEZER en 0°F (-18°C). Deje esta configuración durante 24 horas (un día) para estabilizar. Luego ajuste la temperatura como se indica.

Visualización de temperatura

Para cambiar la visualización de temperatura de Fahrenheit a Celsius:



- Simultáneamente presione y sostenga los botones FREEZER y REFRIGERATOR durante más de 5 segundos.
- Realice los mismos pasos para convertir de vuelta a Fahrenheit.

CÓMO OPERAR EL DISPENSADOR

Seleccione cubitos de hielo, agua, o hielo triturado, y presione el interruptor de presión con un vaso u otro recipiente:

CÓMO DISPENSAR HIELO TRITURADO



Presione el botón DISPENSER para iluminar el ícono de hielo triturado. Presione el interruptor de presión con un vaso u otro recipiente y se expenderá hielo triturado.



CÓMO CONTROLAR LA LUZ DEL DISPENSADOR



Presione el botón LIGHT/FILTER (luz/filtro) para encender y apagar la luz del dispensador.



CÓMO DISPENSAR AGUA



Presione el botón DISPENSER para iluminar el ícono de agua. Presione el interruptor de presión con un vaso u otro recipiente y se expenderá agua bien fría.



CÓMO DISPENSAR CUBITOS DE HIELO



Presione el botón DISPENSER para iluminar el ícono de cubitos de hielo. Presione el interruptor de presión con un vaso u otro recipiente y se expenderán cubitos de hielo.



NOTA: Sostenga el vaso u otro recipiente en su lugar durante unos segundos después de servirse hielo o agua para retener los últimos cubitos o gotas. El dispensador está diseñado para no funcionar cuando las puertas del refrigerador están abiertas.

CÓMO UTILIZAR

CÓMO CONFIGURAR LAS FUNCIONES

Presione el botón de la función deseada para visualizar y seleccionar otras configuraciones.

NOTA: Algunas funciones están disponibles sólo en modelos selectos.

CÓMO CONFIGURAR LA TRABA DEL DISPENSADOR



Presione y sostenga el botón ALARM/LOCK (alarma/traba) durante tres segundos para trabar el dispensador y todas las otras funciones del panel de control. Presione y sostenga de nuevo por 3 segundos para destrabar.



CÓMO CONFIGURAR LA ALARMA DE LA PUERTA



El botón ALARM/LOCK también controla la alarma de puerta abierta que suena tres veces a intervalos de 30 segundos cuando se deja abierta una puerta por más de 60 segundos. La alarma deja de sonar cuando se cierra la puerta. Presione el botón ALARM/LOCK una vez para activar y desactivar la función de alarma de puerta.



NOTA: Contacte el centro de servicio local si la alarma sigue sonando después de cerradas las puertas.

CÓMO RECONFIGURAR EL INDICADOR DE FILTRO



Presione y sostenga el botón LIGHT/FILTER (luz/filtro) por más de 3 segundos para reconfigurar el indicador de filtro después de que haya sido cambiado el filtro de agua.



NOTA: Se recomienda que cambie el filtro cuando la luz del indicador del filtro de agua alcance 0 o el dispensador de agua o máquina de hielo bajen la producción notablemente.

CÓMO ACTIVAR LA FUNCIÓN ICE PLUS



Presione el botón ICE PLUS una vez para activar la función Ice Plus. El ícono ICE PLUS del panel de visualización se iluminará cuando se active. La función ICE PLUS activa el funcionamiento del congelador ofreciendo la temperatura más baja durante un período de 24 horas a fin de aumentar la producción de hielo en aprox. un 20%; después, se desactiva automáticamente.

NOTA: Presione el botón una segunda vez para cancelar la función Ice Plus.

DIAGNÓSTICO DE DETECCIÓN DE FALLAS

La función de diagnóstico automáticamente detecta problemas en su refrigerador. Cuando suceda, un código de diagnóstico aparecerá en la pantalla.

NOTA: Si un código de diagnóstico aparece en la pantalla durante el uso, registre el código y llame al **1-800-243-0000** (24 horas al día/7 días por semana) y seleccione la opción para ubicar un centro de reparación autorizado.

DEPÓSITO DE HIELO DEL INTERIOR DE LA PUERTA

⚠ PRECAUCIÓN

- Mantenga manos y herramientas fuera del depósito de hielo de la puerta y del conducto del dispensador. Podría estropear alguna pieza o sufrir lesiones.

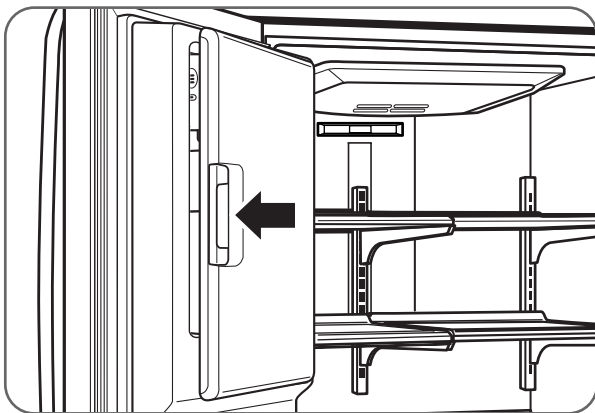
La máquina dejará de elaborar hielo cuando el depósito esté lleno. Si necesitase más hielo, vacíe los cubitos en el depósito de hielo extra situado en el compartimento de la heladera, para que la máquina de hielo pueda continuar su producción.

Agite de vez en cuando el depósito de hielo para nivelar los cubitos. En ocasiones, los cubitos tienden a apilarse cerca del mecanismo, provocando una lectura errónea del nivel de hielo y, consecuentemente, el cese de la elaboración de cubitos.

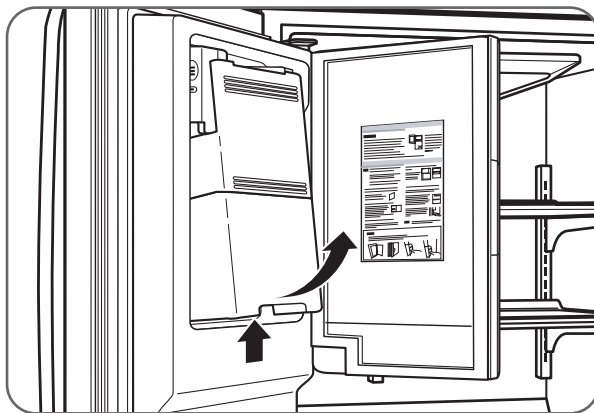
NOTA: Almacenar latas u otros elementos en este depósito podría dañar la máquina de hielo.

Mantenga el depósito de hielo herméticamente cerrado. Si no se cierra herméticamente, el aire frío procedente del depósito de hielo congelará los alimentos del compartimento del refrigerador. Esto podría provocar también que la máquina deje de producir hielo.

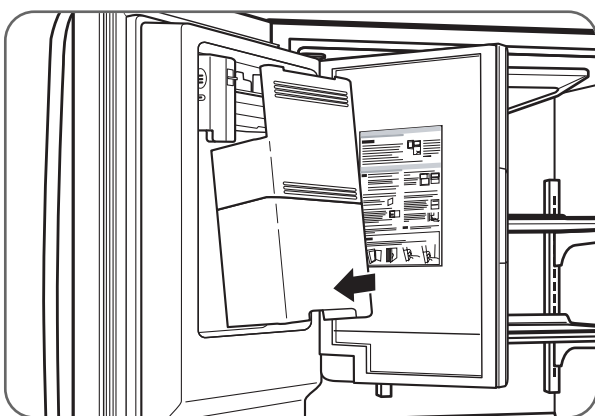
NOTA: Para evitar que la máquina de hielo entre en funcionamiento, vacíe el depósito de hielo antes de desactivar la máquina de cubitos durante varias horas.



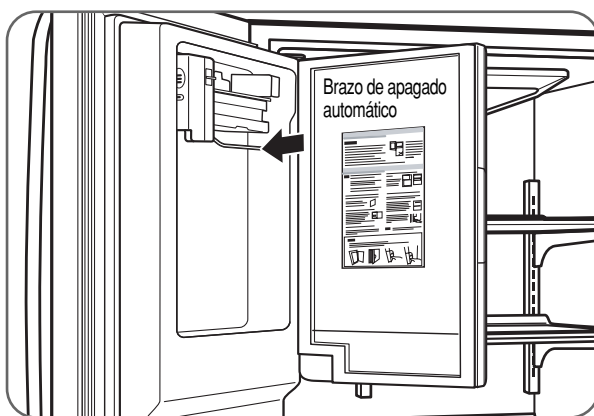
Empuje firmemente el pestillo hasta asegurarse de haber cerrado la puerta del depósito de hielo; sonará un "clic" al cerrarse por completo.



Para extraer el depósito de hielo del interior de la puerta, sujete la agarradera frontal, levante ligeramente la parte inferior y saque el depósito como indica la ilustración.



Para volver a colocar el tanque de hielo interno, incline ligeramente el depósito durante la operación para evitar el contacto con la máquina de hielo.



Evite tocar el brazo de apagado automático al reinstalar el depósito de hielo. Consulte la etiqueta situada en la puerta del depósito de hielo para obtener más detalles.

MÁQUINA AUTOMÁTICA PARA HACER HIELO

El hielo se fabrica en la máquina automática y se envía al dispensador. La máquina de hielo puede hacer 6 cubitos por vez, 80–130 unidades por período de 24 horas. Esta cantidad puede variar en diferentes circunstancias, como temperatura del congelador, temperatura ambiente, apertura de puertas y carga del congelador, y otras condiciones operativas.

- Un refrigerador recién instalado tarda 12–24 horas en hacer hielo.
- La fabricación de hielo se detiene cuando el recipiente de almacenamiento de hielo se llena.
- Para apagar la máquina automática de cubitos de hielo, coloque el interruptor en OFF (O). Para encender la máquina automática de cubitos de hielo, coloque el interruptor en ON (I).
- Puede ajustar el tamaño del cubo pulsando el Botón de selección de la cantidad de agua.
- El tamaño de los cubitos puede regularse presionando el Botón de Selección de Tamaño.

NOTA: Es normal que se produzcan ruidos cuando el hielo cae dentro del recipiente de almacenamiento.

- La llave de agua funciona incluso con la tubería de agua no conectada y la heladera activada. El ruido se debe a que la tubería de agua no está conectada y no indica un fallo en la heladera.

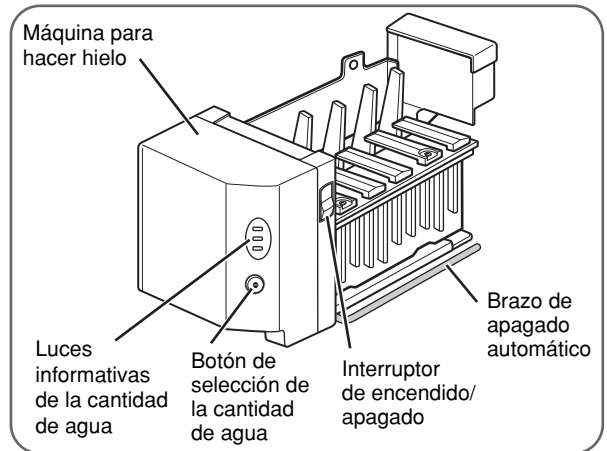
⚠️ PRECAUCIÓN

- Cuando se utiliza por primera vez, el hielo y el agua pueden incluir partículas u olores provenientes de la línea de suministro de agua o del tanque de agua.
- No utilice los primeros cubitos de hielo producidos (20 aproximadamente), y purgue el agua durante 2 minutos tras la instalación, para eliminar restos de aire y sabores extraños.
- Esto también es necesario si el refrigerador no ha sido usado durante un largo período.
- No almacene nunca latas de bebida u otros alimentos en el depósito de hielo con el fin de enfriarlos rápidamente. Hacerlo podría dañar la máquina de hielo o romper el depósito.
- Si se obtiene hielo descolorido, verifique que el filtro de agua y el suministro de agua. Si el problema continúa, comuníquese con un Centro de Atención Autorizado. No consuma el hielo o el agua hasta corregir el problema.
- Mantenga a los niños alejados del dispensador. No permita que los niños jueguen con el dispensador o cerca de este.
- El paso de hielo también puede bloquearse con escarcha si sólo se utiliza hielo triturado. Retire la escarcha que se acumula.

⚠️ ADVERTENCIA

Peligro de lesiones personales

- Evite el contacto con las piezas en movimiento del mecanismo eyector o con el elemento calentador que libera los cubitos.
- NO coloque sus dedos o manos en el mecanismo de la máquina para hacer hielo mientras el refrigerador se encuentre enchufado.



NOTA: Levantar el brazo de apagado automático no apaga la máquina de hacer hielo.

- Nunca utilice vasos de cristal delgado o vajilla de loza para recoger hielo. Dichos recipientes pueden romperse, y los fragmentos de vidrio pueden caer en el hielo.
- Recoja el hielo en un vaso antes de llenarlo con agua u otras bebidas. Pueden provocarse salpicaduras si se sirve hielo en un vaso que ya contiene líquido.
- Nunca utilice un vaso demasiado angosto o profundo. El hielo puede trabarse en el paso del hielo y puede afectar el funcionamiento del refrigerador.
- Mantenga el vaso a una distancia prudencial de la salida del hielo. Si sostiene el vaso demasiado cerca puede bloquear la salida del hielo.
- Para evitar lesiones personales, mantenga las manos lejos de la puerta y del paso del hielo.
- Nunca quite la tapa de la máquina de hielo.
- Si descubre que sale hielo o agua inesperadamente, cierre el suministro de agua y comuníquese con un Centro de Atención Autorizada. Llame al **1-800-243-0000** (24 horas al día, 365 días al año) y seleccione la opción para ubicar un técnico autorizado.

ALMACENAMIENTO DE ALIMENTOS

- Guarde los alimentos frescos en el refrigerador.
- La manera en que los alimentos se congelan y descongelan es un factor importante para mantener la frescura y el sabor.
- No almacene alimentos que se echan a perder con facilidad, como bananas y melones, a bajas temperaturas.
- Deje que los alimentos calientes se enfríen antes de almacenarlos; colocar alimentos calientes en el refrigerador puede arruinar otros alimentos y provocar un mayor consumo de energía.
- Al guardar alimentos, cúbralos con un envoltorio plástico o deposítelos en un recipiente con tapa. Esto evita que la humedad se evapore y ayuda a que los alimentos mantengan su sabor y nutrición.
- No bloquee las ventilaciones de aire con alimentos o contenedores. Una buena circulación de aire frío mantiene constantes las temperaturas del refrigerador.
- No abra las puertas con frecuencia. Cuando se abren las puertas del refrigerador y del freezer, ingresa aire caliente, lo que provoca un aumento de las temperaturas.
- Nunca sobrecargue los estantes de la puerta; si lo hace, los productos pueden golpear contra los estantes internos y evitar que las puertas se cierren correctamente.

Congelador

- No guarde botellas de vidrio en el congelador; el vidrio puede romperse cuando los contenidos se congelen.
- No vuelva a congelar alimentos que han sido descongelados. Esto provoca pérdida de sabor y de nutrición.
- No toque alimentos o recipientes fríos, en especial hechos de metal, con manos húmedas o coloque productos de vidrio en el congelador.
- No utilice la huevera como un recipiente para hielo en el congelador. La huevera se romperá fácilmente si se congela.

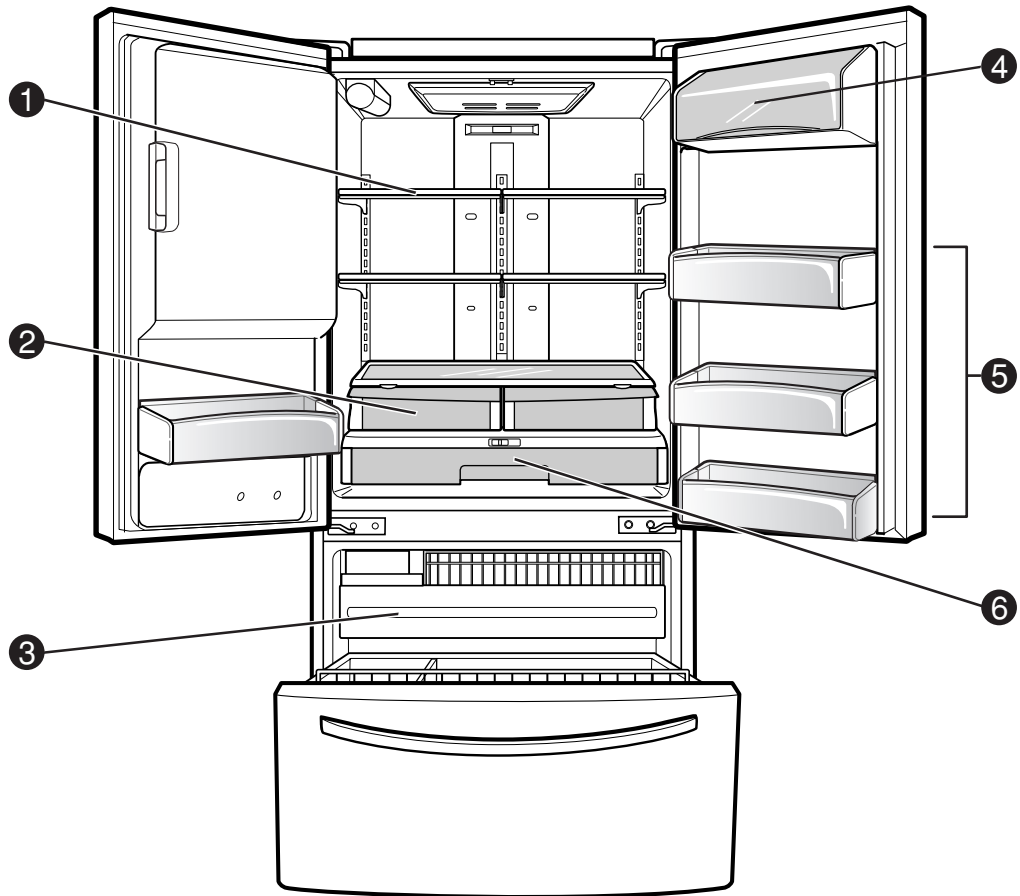
Refrigerador

- No coloque alimentos húmedos en los estantes superiores del refrigerador, ya que podrían congelarse por contacto directo con el aire frío.
- Siempre lave los alimentos antes de colocarlos en el refrigerador. Los vegetales y frutas deben lavarse y secarse, y los alimentos empaquetados deben secarse para evitar que los alimentos cercanos se echen a perder.

NOTA: Instalar el refrigerador en un lugar caliente y húmedo, la frecuente apertura de la puerta o guardar muchos vegetales en el refrigerador puede generar condensación. Limpie la condensación con un paño limpio o una toalla de papel.

CÓMO UTILIZAR

UBICACIÓN DE ALIMENTOS



1 ESTANTES DEL REFRIGERADOR

Guarde productos, fuentes, y recipientes más grandes en los estantes expansivos del refrigerador.

2 CAJONES

Conserve vegetales o frutas con control de humedad.

3 CAJÓN DEL FREEZER DESLIZABLE

Almacene pequeños alimentos congelados y empaquetados, o conserve carne, pescado, y pollo envueltos en papel metálico. Guarde los productos secos.

4 RINCÓN PARA LÁCTEOS

Conserve productos lácteos como manteca y queso.

5 RECIPIENTES DE PUERTA MODULARES

Almacene pequeños alimentos empaquetados y bebidas, como condimentos, condimentos para ensalada, alimentos para bebé, leche, o jugo.

6 GLIDE'N'SERVE (CAJÓN DESLIZANTE)

Proporciona espacio de almacenamiento con un control de temperatura variable que mantiene el compartimento más frío que el refrigerador.

AJUSTE DE LA ALTURA DE LOS ESTANTES

Los estantes del refrigerador son ajustables para satisfacer sus necesidades de almacenamiento.

Guardar alimentos similares juntos en su refrigerador y ajustar los estantes a diferentes alturas facilitarán el acceso al elementos buscado; también reducirá el tiempo en que la puerta del refrigerador queda abierta, y así se ahorrará energía.

IMPORTANTE: No limpie estantes de vidrio con agua tibia cuando están fríos. Los estantes pueden romperse si se los expone a cambios de temperatura o a impactos. Para su protección, los estantes de vidrio están hechos de vidrio templado, el que se rompe en pequeños pedazos del tamaño de guijarros.

NOTA: Los estantes de vidrio son pesados. Tenga mucho cuidado al quitarlos para evitar que caigan al suelo.

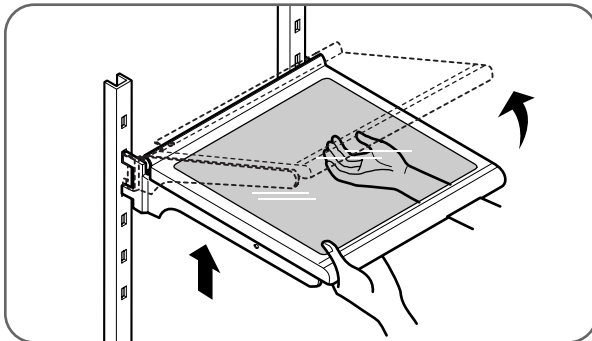
Estantes ajustables

Retire las baldas de su posición de transporte e instálelas en la posición deseada.

⚠ MISE EN GARDE

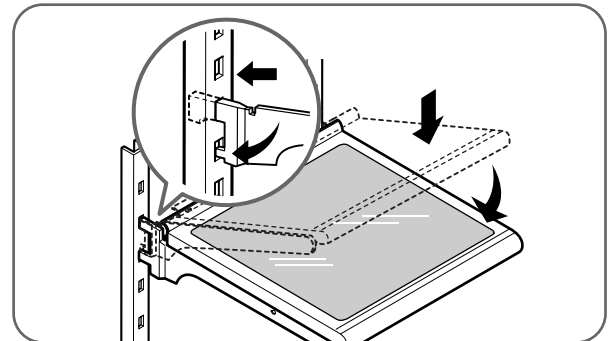
Asegúrese de que las baldas estén bien niveladas en ambos lados. Si no lo estuvieran, las baldas podrían caer o se podrían derramar líquidos y alimentos.

Quite el estante



Incline hacia arriba el frente del estante. Levante la parte trasera y quite el estante.

Reinstale el estante



Incline el frente del estante y guíe los ganchos del estante dentro de las ranuras a la altura deseada. Luego baje el frente del estante para que los ganchos encajen en las ranuras.

CÓMO CAMBIAR LAS BOMBILLAS DE LUZ

⚠️ ADVERTENCIA

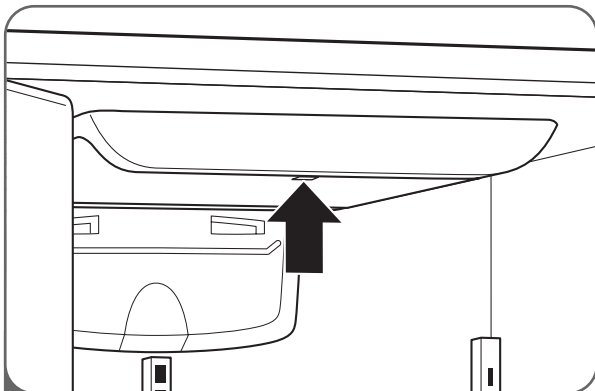
Peligro de descarga eléctrica

- Antes de reemplazar un bombilla de luz quemada, desenchufe el refrigerador o desconecte la electricidad del disyuntor o caja de fusibles.

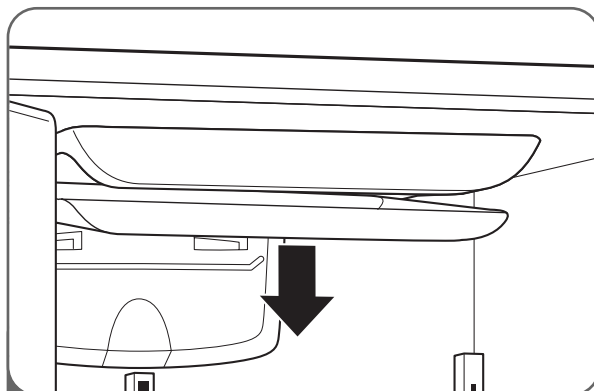
NOTA: Desplazar el control a la posición OFF (apagado) no elimina la corriente de electricidad dirigida al circuito de la luz

NOTA: No todas las bombillas son las adecuadas para el refrigerador. Asegúrese de cambiarla por una del mismo tamaño, forma, y vataje.

Para cambiar las bombillas de luz del refrigerador

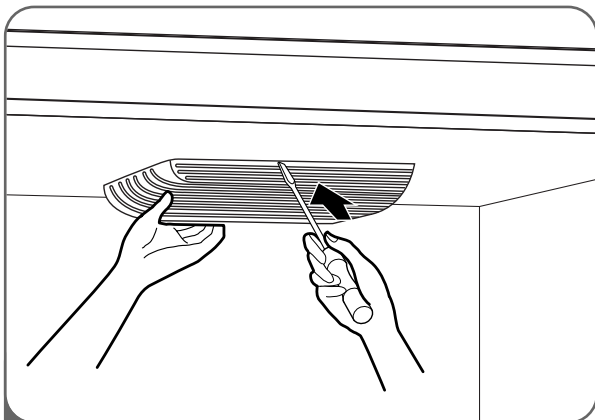


- 1 Para quitar la tapa de la lámpara, retire el estante o los estantes superiores. Utilice un instrumento plano para destrabar la tapa de la lámpara ubicada en el frente.



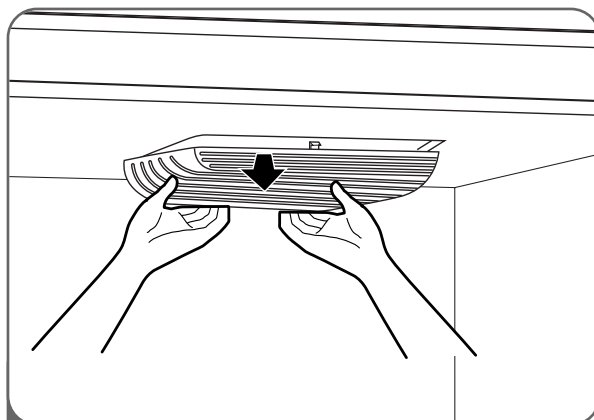
- 2 Gire la tapa de la lámpara hacia abajo para quitar las lengüetas traseras. Verifique que las bombillas estén frías. Gire las bombillas en sentido contrario a las agujas del reloj para quitarla. Coloque las nuevas bombillas. Coloque en el orden inverso enganchando las lengüetas traseras de la tapa de la lámpara primero, y las lengüetas frontales después.

Para cambiar la bombilla de la luz del congelador



- 1 Utilice un instrumento plano para destrabar la tapa de la lámpara ubicada en el frente.

NOTA: Puede hacer falta quitar el soporte superior para lograr acceso a la tapa de la lámpara.



- 2 Gire la tapa de la lámpara hacia abajo para quitar las lengüetas traseras. Verifique que la bombilla esté fría. Gire la bombilla en sentido contrario a las agujas del reloj para quitarla. Reemplace con una bombilla de 60 vatios. Introduzca las lengüetas de la parte trasera de la tapa en las ranuras del techo del congelador. Presione la tapa hacia arriba para trabar el frente en su lugar.

CÓMO QUITAR Y REINSTALAR COMPONENTES

NOTA: Cuando reinstale componentes, invierta el orden de los pasos tomados al quitarlos. A fin de evitar daños, nunca aplique demasiada fuerza al quitar o reinstalar componentes.

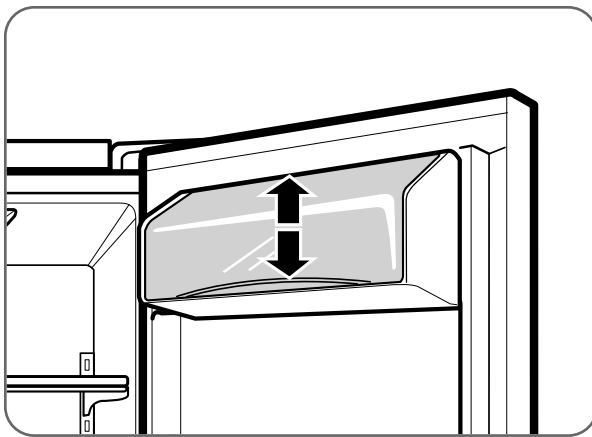
⚠ PRECAUCIÓN

- Pueden provocarse lesiones personales si los recipientes de la puerta no están bien colocados.

NOTA: NO ajuste un recipiente cargado.

- NO permita que los niños jueguen con los canastos. Los extremos afilados de los canastos pueden provocar lesiones.

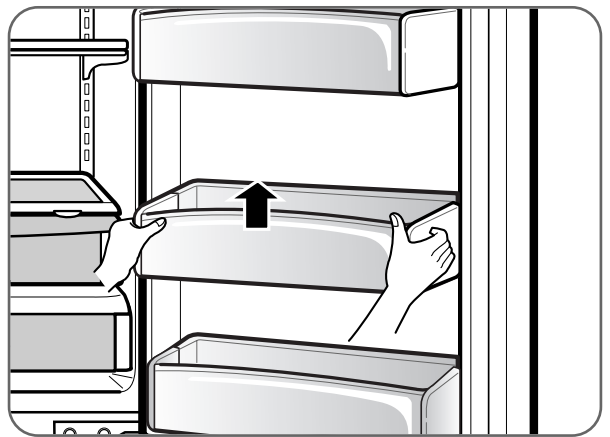
Recipiente de lácteos



Para quitar el recipiente de lácteos, sólo levántelo y sáquelo. Para volver a colocarlo, deslícelo en su lugar y presiónelo hacia abajo hasta que se detenga.

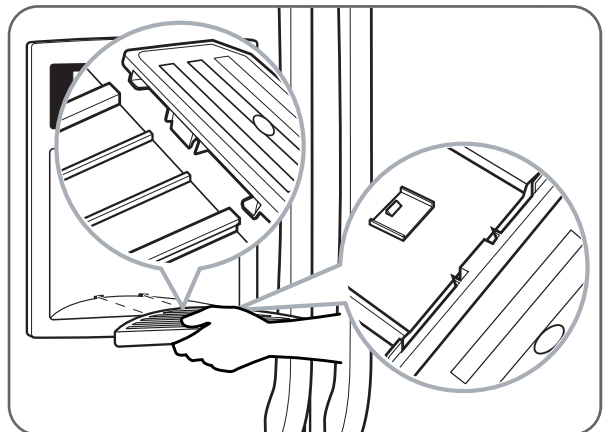
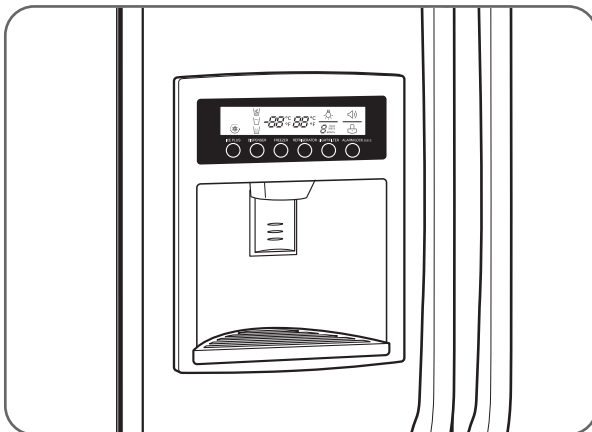
NOTA: El compartimento para lácteos sólo podrá instalarse en el espacio superior de la puerta derecha.

Recipiente de puerta modular



Los recipientes de la puerta son desmontables para una limpieza y ajuste sencillos. Sólo levante el recipiente y tire de él para retirarlo. Para volver a colocarlo, deslícelo sobre el soporte deseado y empújelo hacia abajo hasta que se detenga.

Bandeja de goteo del dispensador

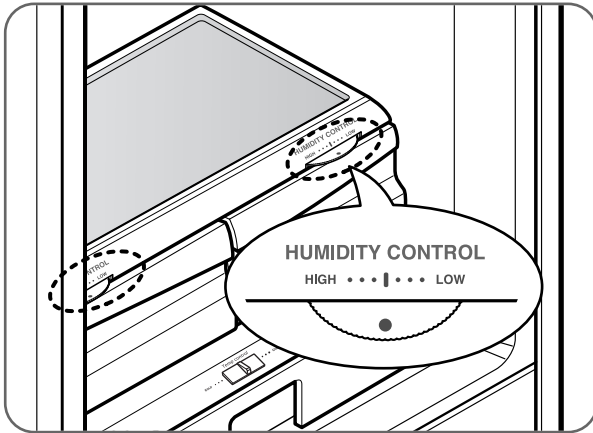


La bandeja de goteo del dispensador no tiene función autovaciante. Debe limpiarse de manera regular. Retire la tapa presionando y tirando de la bandeja. Séquela con un paño. Para reinstalar la bandeja, incline un poco el frente de la bandeja e introduzca los rebordes dentro de los orificios.

CUIDADO Y LIMPIEZA

CÓMO QUITAR Y REINSTALAR COMPONENTES (CONT.)

Control de la humedad del recipiente para hortalizas firmes

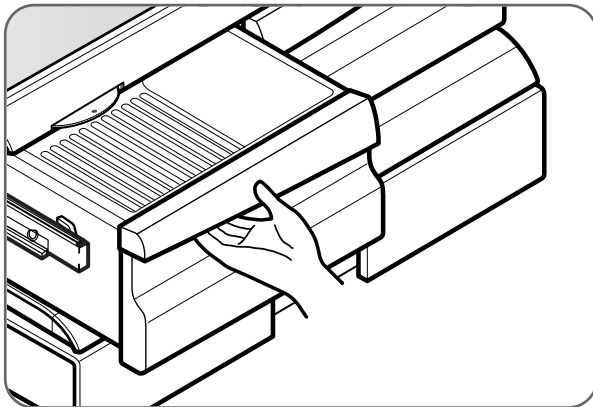


Es posible controlar el nivel de humedad de los cajones para fruta y verdura protegidos contra humedad. Almacene verduras o frutas, que necesiten más o menos humedad, en cajones diferenciados para fruta y verdura. Ajuste el control en cualquier punto entre ALTO (HIGH) y BAJO (LOW).

- LOW permite que el aire húmedo salga del accesorio para un mejor almacenamiento de frutas.
- HIGH mantiene aire húmedo en el accesorio para mejor almacenamiento de hortalizas de hoja, frescos.

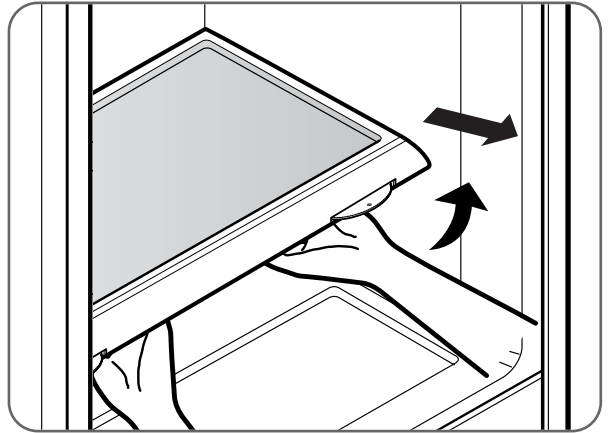
CUIDADO: El anaquel de cristal encima del recipiente para hortalizas no está asegurado firmemente. Tenga cuidado al inclinarlo.

Para retirar el recipiente para hortalizas



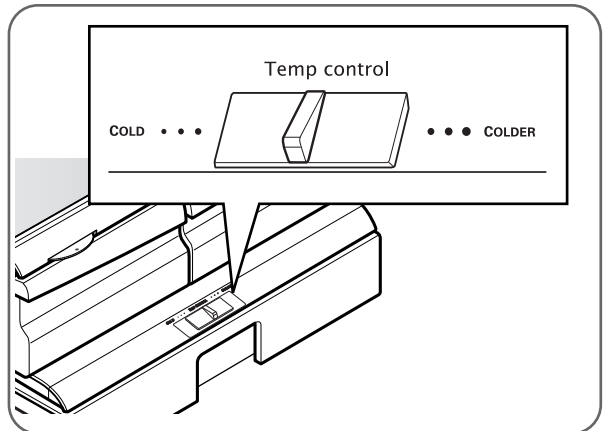
- Para retirar, jale el cajón hacia fuera a toda su extensión.
- Levante el frente del recipiente, luego jálelo derecho hacia afuera.
- Para instalar, incline hacia arriba ligeramente el frente e inserte el cajón en el bastidor y empuje hacia atrás para que quede en su lugar.

Para quitar el vidrio



- Levante el vidrio después de haber insertado un dedo en el agujero situado debajo de la cubierta del cajón.
- Levante el vidrio y sáquelo.

Glide'N'Serve (Cajón Deslizante)



El Glide'N'Serve (Cajón Deslizante) proporciona espacio de almacenamiento con un control de temperatura variable que mantiene el compartimento más frío que el refrigerador.

Este cajón puede utilizarse para charolas grandes, fiambre o bebidas. (Pero no debe usarse para verduras.)

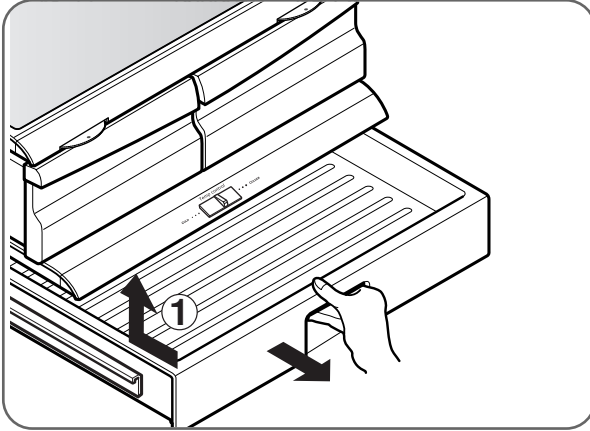
Controles

El control regula la temperatura del aire en el cajón. Utilice el ajuste COLD (impreso en la superficie) para una temperatura de refrigerador normal. Utilice el ajuste COLDER (impreso en la superficie) para carnes o fiambre.

NOTA: El aire frío dirigido al cajón deslizante puede disminuir la temperatura del refrigerador. Es posible que necesite ajustar el control del refrigerador.

CÓMO QUITAR Y REINSTALAR COMPONENTES (CONT.)

Para volver a colocar el cajón deslizante



- Para quitar, jale el cajón hacia afuera lo máximo posible.
- Levante la parte delantera del cajón y, a continuación, sáquelo.
- Para instalar, levante apenas la parte frontal e inserte el cajón en el bastidor empújelo hasta su posición.

⚠ PRECAUCIÓN

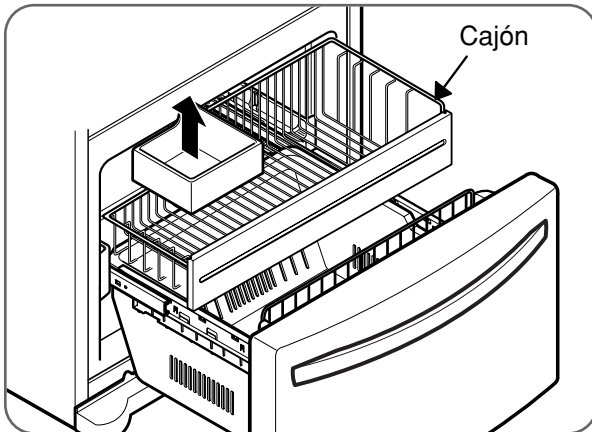
- Peligro de pellizco! Mantenga manos y pies lejos de la base de la puerta cuando la abra y cierra.

⚠ ADVERTENCIA

Peligro de encierro para niños

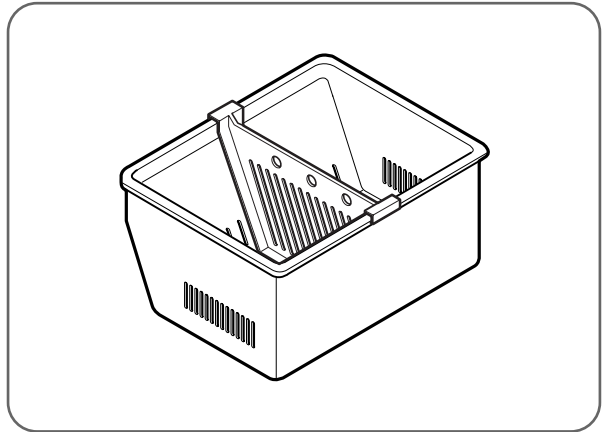
- Si retira el divisor Durabase, creará suficiente espacio como para que los niños, o mascotas, se introduzcan en el electrodoméstico. Para evitar el atrapamiento accidental de niños o mascotas, y para evitar el riesgo de asfixia, NO les permita jugar en el interior de la unidad.

Recipiente de hielo



Para separar el recipiente de hielo, extienda el cajón por completo. Con suavidad, levante y quite el recipiente de hielo. Para volver a instalar, coloque el recipiente de hielo en su posición correcta.

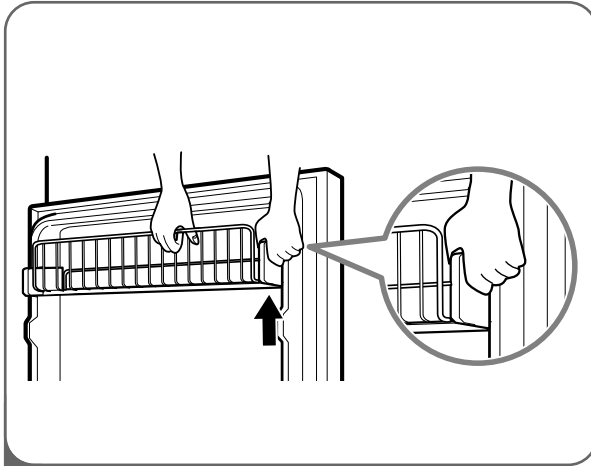
División DuraBase®



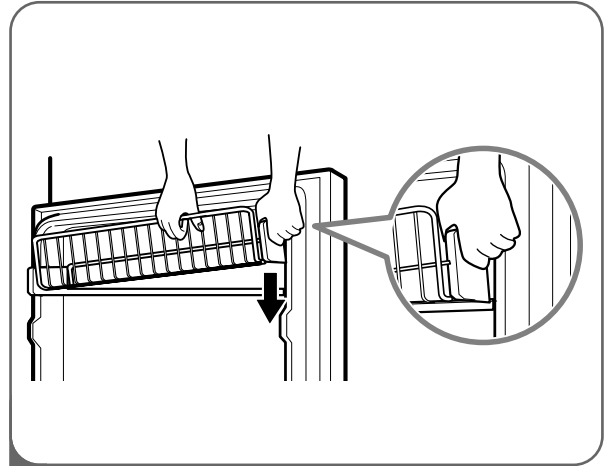
CUIDADO Y LIMPIEZA

CÓMO QUITAR Y REINSTALAR COMPONENTES (CONT.)

Canasto de la puerta inclinable



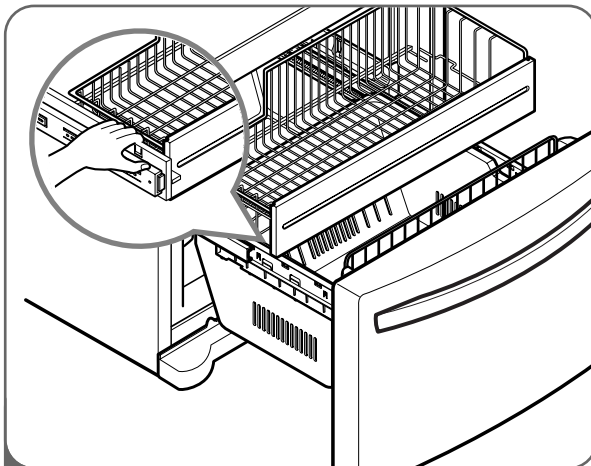
- 1 Para quitar el canasto de la puerta inclinable, presione sobre el soporte de extremo, luego tire del extremo del canasto para quitarlo.



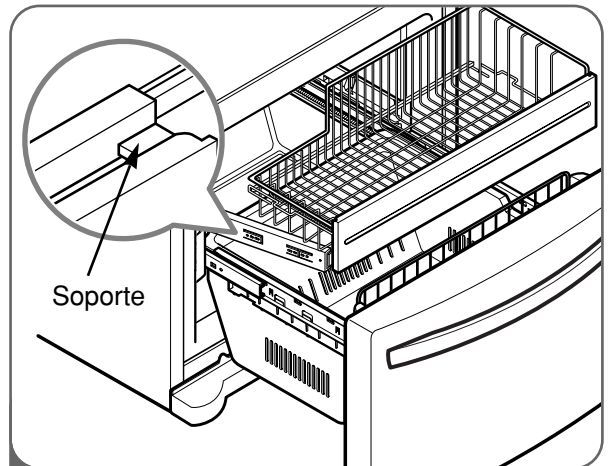
- 2 Para volver a colocar el cajón de la puerta inclinable, introduzca el soporte dentro de un lado y enganche un extremo del canasto al soporte. Luego, enganche el otro extremo del canasto en el otro soporte y empuje el soporte hacia abajo.

NOTA: Asegúrese de que la parte trasera del canasto esté ubicada detrás de la lengüeta de retención de cada soporte.

Cajón deslizable



- 1 Para sacar el cajón, empuje las lengüetas situadas en la superficie interior delantera de cada raíl.
A continuación, levante con cuidado los lados derecho e izquierdo posteriores del cajón y tire hacia afuera.



- 2 Para volver a colocarlo, saque totalmente los dos raíles. Inserte el extremo del saliente en la abrazadera a izquierda y derecha.
Asegúrese de que las guías de la parte delantera estén correctamente alineadas y empujelas con cuidado hacia los dos laterales.

CÓMO LIMPIAR EL REFRIGERADOR

ADVERTENCIA

Peligro de explosión

- Utilice limpiadores no inflamables.
- No hacerlo puede provocar la muerte, una explosión, o un incendio.

Las secciones del refrigerador y del congelador se descongelan de manera automática. Sin embargo, limpie las dos secciones una vez al mes para prevenir olores. Limpie derrames de alimentos de inmediato.

- Desenchufe el refrigerador.
- Quite todas las piezas desmontables, como estantes y cajones.
- Use una esponja limpia o un paño con detergente suave en agua tibia. No utilice productos de limpieza abrasivos o fuertes.
- Lave a mano, enjuague, y seque bien todas las superficies.
- Enchufe el refrigerador.

NOTA: Los pulverizadores para ventanas, limpiadores abrasivos, o los fluidos inflamables pueden rayar o dañar las tapas o paneles plásticos.

Cómo limpiar la parte externa

En modelos con exterior de acero inoxidable, use un limpiador de acero inoxidable disponible comercialmente de acuerdo con las instrucciones del fabricante. También puede usar una esponja limpia o un paño con detergente suave en agua tibia. No utilice productos de limpieza abrasivos o fuertes. Seque por completo con un paño suave.

IMPORTANTE: No use ceras de limpieza, detergentes concentrados, o limpiadores a base de petróleo en piezas plásticas del refrigerador como cubas interiores o juntas.

Cuidado y limpieza de la parte interna

NOTA: Espere a que el congelador suba la temperatura para que el paño de limpieza no se pegue. Para ayudar a quitar olores, limpie la parte interna del refrigerador con una mezcla de bicarbonato de sodio y agua tibia. Mezcle 1 cucharadita de bicarbonato de sodio en 1 cuarto de galón de agua (26 g de bicarbonato en 1 L de agua). Verifique que el bicarbonato de sodio se disuelva por completo para que no raye las superficies del refrigerador.

IMPORTANTE: No utilice una boquilla de pulverización para limpiar el interior.

INFORMACIÓN GENERAL

Almacenamiento

Durante vacaciones de una extensión promedio, probablemente sea mejor dejar el refrigerador en funcionamiento. Coloque los productos que requieren congelado en el congelador para lograr una mayor vida útil.

Cuando planee dejar de usar el refrigerador, quite todos los alimentos, desconecte el cable de energía, limpie el interior por completo, y deje las puertas abiertas para evitar la formación de moho. Asegúrese de que el refrigerador no presente un peligro de encierro para niños.

Traslado

Descargue el refrigerador para cambiar la ubicación. (Esto no es necesario cuando lo mueva para limpiar detrás). Verifique que el refrigerador alcance la temperatura ambiente, y seque la parte interna antes de cerrar las puertas para prepararlo para la mudanza. Para no dañar los tornillos de ajuste de altura, gírelos por completo dentro de la base.

Corte de energía

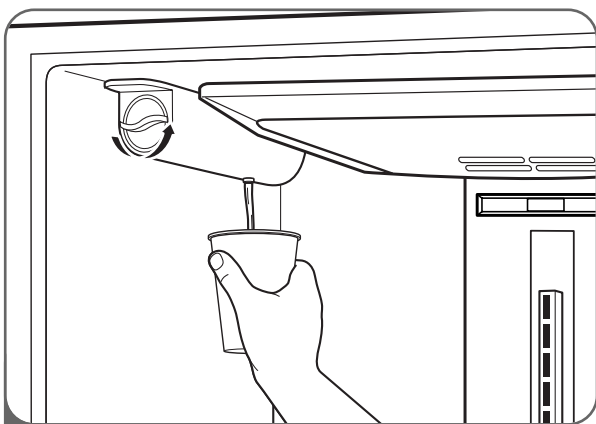
La mayoría de los cortes de energía que se corrigen en una o dos horas no afectarán las temperaturas del refrigerador. Sin embargo, usted debe minimizar la cantidad de veces que abra la puerta mientras no hay energía.

Durante un corte de luz, podría gotear agua del depósito de hielo. Para prevenir esto, retire el depósito de hielo, extraiga todo su contenido, séquelo con una toalla y vuelva a colocarlo.

CUIDADO Y LIMPIEZA

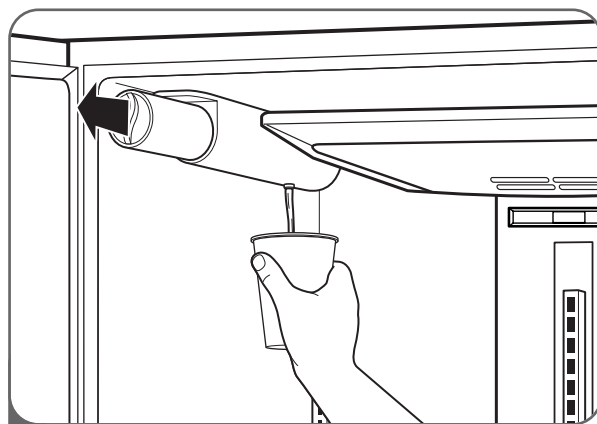
CÓMO CAMBIAR EL FILTRO DE AGUA

Se recomienda que cambie el filtro cuando el indicador del filtro de agua alcance **0** o el dispensador de agua o máquina de hielo baje la producción notablemente.

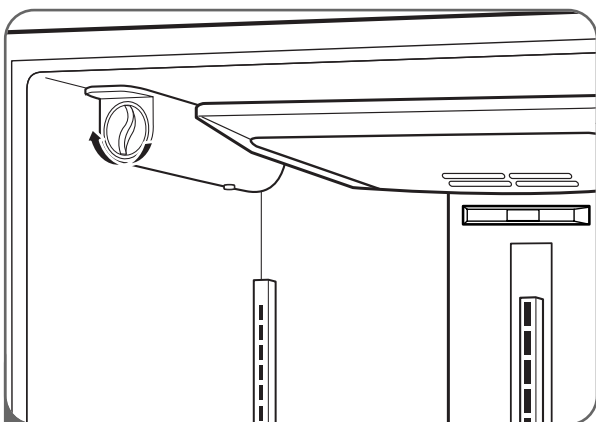


1 Gire la perilla del cartucho viejo en sentido contrario a las agujas del reloj. Cuando se haya liberado el cartucho, escuchará un "clic".

NOTA: Cuando se cambia el filtro, se pierde una pequeña cantidad de agua (alrededor de 1 oz o 25 cc). Coloque una taza bajo el filtro para recogerla.



2 Quite el cartucho usado. Saque el cartucho nuevo de su empaque y quite la tapa protectora de las juntas tóricas. Sostenga la manija del cartucho en posición vertical y con firmeza presione el cartucho del filtro nuevo en su lugar hasta que se detenga.



1 Utilice el mango para girar el cartucho en sentido horario (una vuelta aproximadamente), hasta que dicho mango se encuentre en posición horizontal.

Sentirá que el filtro encaja en su lugar con un "clic".

NOTA: Si el filtro no gira de lado a lado, no está bien colocado.

Después de sustituir el filtro, pulse durante unos 2 minutos el dispensador de agua para purgar el agua del sistema. Revise posibles fugas que pueda haber en el filtro.



Cuando el indicador del filtro de agua muestre el mensaje "**0 Filter Month**" ("0 Meses de filtro"); presiónelo 3 segundos para reiniciar la pantalla de estado del filtro de agua, y el indicador luminoso, manteniendo pulsado el botón LIGHT/FILTER durante más de 3 segundos.

Para comprar nuevos cartuchos de filtro de agua, visite a su distribuidor local de artefactos o piezas. También puede visitar llame al 1-877-714-7486.

El número de repuesto del cartucho de filtro de agua es **5231JA2006A**.

DETECCIÓN DE PROBLEMAS

ANTES DE LLAMAR AL SERVICIO TÉCNICO

Antes de llamar al servicio técnico, examine esta lista. Puede ahorrarle tiempo y dinero. La lista incluye situaciones comunes que no son el resultado de mano de obra o materiales defectuosos del artefacto.

Problema	Causas posibles	Soluciones
El compresor del refrigerador no funciona.	<ul style="list-style-type: none"> • El control del refrigerador está apagado • El refrigerador está en el ciclo de descongelado. • El enchufe del tomacorriente está desconectado. • Corte de energía. Verifique las luces de la casa. 	<ul style="list-style-type: none"> • Configure el control del refrigerador. • Esto es normal para un refrigerador de descongelado totalmente automático. El ciclo de descongelado ocurre en forma periódica. • Verifique que el enchufe esté bien colocado en el tomacorriente. • Llame a la compañía local de electricidad.
El refrigerador funciona muy a menudo o durante mucho tiempo.	<ul style="list-style-type: none"> • El refrigerador es más grande que su artefacto anterior. • La habitación o el clima externo son muy calurosos. • El refrigerador fue recientemente desconectado por un rato. • Se han guardado grandes cantidades de alimentos tibios o calientes. • Las puertas se abren muy a menudo o durante mucho tiempo. • Las puertas del refrigerador o congelador pueden estar apenas abiertas. • El control del refrigerador está configurado a una temperatura muy baja. • La junta del refrigerador o congelador está sucia, gastada, rota, o mal colocada. 	<ul style="list-style-type: none"> • Esto es normal. Las unidades más grandes y más eficientes funcionan durante más tiempo. • Es normal para el refrigerador funcionar bajo estas condiciones. • El refrigerador tarda unas horas en alcanzar temperaturas de enfriado. • Los alimentos tibios harán que el refrigerador funcione durante más tiempo hasta alcanzar la temperatura deseada. • El aire tibio que ingresa al refrigerador hace que funcione más. No abra las puertas tan seguido. • Verifique que el refrigerador no esté torcido. No permita que alimentos y recipientes bloqueen la puerta. • Ajuste el control del refrigerador a una configuración menos fría hasta que la temperatura sea satisfactoria. • Limpie o cambie la junta. Las filtraciones en el sellado de la puerta harán que el refrigerador funcione por más tiempo para mantener las temperaturas deseadas.
El compresor del refrigerador se enciende y apaga.	<ul style="list-style-type: none"> • El termostato está manteniendo el refrigerador a una temperatura constante. 	<ul style="list-style-type: none"> • Esto es normal. El refrigerador se enciende y apaga para mantener la temperatura constante.
La temperatura del refrigerador es muy baja, pero la del congelador es satisfactoria.	<ul style="list-style-type: none"> • El control del congelador está configurado en una temperatura demasiado baja. 	<ul style="list-style-type: none"> • Ajuste el control del congelador en una configuración menos fría hasta que la temperatura sea satisfactoria.
La temperatura del refrigerador es muy baja, pero la del congelador es satisfactoria.	<ul style="list-style-type: none"> • El control del refrigerador está configurado en una temperatura muy baja. 	<ul style="list-style-type: none"> • Ajuste el control del refrigerador a una configuración menos fría.

DETECCIÓN DE PROBLEMAS

ANTES DE LLAMAR AL SERVICIO TÉCNICO (CONT.)

Problema	Causas posibles	Soluciones
Los alimentos almacenados en los cajones del refrigerador se congelan.	<ul style="list-style-type: none"> • El control del refrigerador está configurado en una temperatura muy fría. 	<ul style="list-style-type: none"> • Ajuste el control del refrigerador a una configuración menos fría.
Las temperaturas del refrigerador o congelador están muy elevadas.	<ul style="list-style-type: none"> • El control del congelador o refrigerador está configurado en una temperatura muy elevada. • Las puertas se abren muy a menudo o durante mucho tiempo. • La puerta está apenas abierta. • Se han guardado grandes cantidades de alimentos tibios o calientes. • El refrigerador fue recientemente desconectado por un rato. 	<ul style="list-style-type: none"> • Ajuste el control del congelador o refrigerador a una configuración más fría hasta que la temperatura sea satisfactoria. • Aire caliente ingresa al refrigerador/congelador cuando se abre la puerta. No abra la puerta tan seguido. • Cierre la puerta por completo. • Espere a que el refrigerador o congelador haya tenido tiempo de enfriar los alimentos para configurar la temperatura. • El refrigerador tarda unas horas en alcanzar temperaturas configuradas.
La temperatura del refrigerador es muy elevada, pero la del congelador es satisfactoria.	<ul style="list-style-type: none"> • El control del refrigerador está configurado a una temperatura muy elevada. 	<ul style="list-style-type: none"> • Ajuste el control del refrigerador a una configuración más fría.
Los niveles de sonido son mayores cuando se enciende el compresor.	<ul style="list-style-type: none"> • El refrigerador funciona a presiones más altas durante el inicio del ciclo ON (encendido). 	<ul style="list-style-type: none"> • Esto es normal.
Hay vibraciones o golpeteos.	<ul style="list-style-type: none"> • El piso está desparejo o débil. El refrigerador se tambalea sobre el piso cuando se lo mueve un poco. • Los productos colocados sobre el refrigerador vibran. • Vibran los platos ubicados en los estantes del refrigerador. • El refrigerador roza la pared o los armarios. 	<ul style="list-style-type: none"> • Asegúrese de que el piso esté nivelado y sólido y que pueda dar soporte adecuado al refrigerador. • Quite los productos. • Es normal que los platos vibren un poco. Mueva los platos ligeramente. Asegúrese de que el refrigerador esté nivelado y firmemente asentado sobre el piso. • Mueva el refrigerador para que no toque la pared.
Se acumula humedad en las paredes internas del refrigerador.	<ul style="list-style-type: none"> • El clima es caluroso y húmedo, lo que eleva la formación de escarcha y condensación interna. • La puerta está apenas abierta. • La puerta se abre muy a menudo o por mucho tiempo. 	<ul style="list-style-type: none"> • Esto es normal. • Cierre la puerta. • No abra la puerta tan seguido.
Se acumula humedad en la parte externa del refrigerador o entre las puertas.	<ul style="list-style-type: none"> • El clima es muy húmedo. • La puerta está apenas abierta. 	<ul style="list-style-type: none"> • Esto es normal en climas húmedos. Cuando la humedad ambiente baje, la humedad del refrigerador debe desaparecer. • Cierre la puerta por completo.

DETECCIÓN DE PROBLEMAS

ANTES DE LLAMAR AL SERVICIO TÉCNICO (CONT.)

Problema	Causas posibles	Soluciones
Se acumula humedad en el dispensador.	<ul style="list-style-type: none"> • Puede formarse humedad cuando la temperatura o la humedad son elevadas. 	<ul style="list-style-type: none"> • Limpie la humedad con un paño.
Hay olores en el refrigerador.	<ul style="list-style-type: none"> • Debe limpiarse la parte interna. • Hay alimentos con olor fuerte en el refrigerador. • Algunos recipientes y envoltorios producen olores. 	<ul style="list-style-type: none"> • Limpie el interior con una esponja, agua tibia, y bicarbonato de sodio. Asegúrese de que el bicarbonato de sodio se disuelva por completo para que no actúe como un compuesto abrasivo. • Cubra los alimentos por completo. • Use otros recipientes u otra marca de envoltorio.
Las puertas no cierran.	<ul style="list-style-type: none"> • Los paquetes de alimentos no dejan cerrar las puertas. • La puerta se cerró con mucha fuerza, lo que provocó que la otra se abra un poco. • El refrigerador no está nivelado. Se tambalea sobre el piso cuando se lo mueve un poco. • El piso está desparejo o débil. El refrigerador se tambalea sobre el piso cuando se lo mueve un poco. • El refrigerador toca la pared o los armarios. 	<ul style="list-style-type: none"> • Mueva los paquetes que no dejan cerrar la puerta. • Cierre las dos puertas con suavidad. • Modifi que el tornillo de ajuste de altura. • Asegúrese de que el piso esté nivelado y que pueda brindar apoyo adecuado al refrigerador. Comuníquese con un carpintero para corregir pisos hundidos o combados. • Mueva el refrigerador.
Es difícil mover los cajones.	<ul style="list-style-type: none"> • Hay alimentos que tocan el estante en la parte superior del cajón. • La guía del cajón está sucia. 	<ul style="list-style-type: none"> • Conserve menos alimentos en el cajón. • Limpie el cajón y la guía.
No sale agua del dispensador.	<ul style="list-style-type: none"> • La válvula de la línea de agua doméstica no está abierta. • La puerta del refrigerador o congelador no está cerrada. • Cuando el tubo instalado se ha curvado. • Cuando el filtro es viejo. 	<ul style="list-style-type: none"> • Abra la válvula de la línea de agua doméstica. • Verifi que que ambas puertas estén cerradas. • Revise el tubo instalado. • Sustituya el filtro por uno nuevo.
El agua tiene sabor y/o olor extraño.	<ul style="list-style-type: none"> • El agua ha estado en el tanque durante mucho tiempo. • La unidad no está bien conectada a la línea de agua fría. • Cuando el filtro ya es viejo. 	<ul style="list-style-type: none"> • Dispense agua durante 2 minutos y deséchela para refrescar el suministro. Dispense durante otros 2 minutos adicionales para vaciar el tanque por completo. • Conecte la unidad a la línea de agua fría que suministra agua a la canilla de la cocina. • Sustituya el filtro por uno nuevo.

DETECCIÓN DE PROBLEMAS

ANTES DE LLAMAR AL SERVICIO TÉCNICO (CONT.)

Problema	Causas posibles	Soluciones
No sale hielo del dispensador.	<ul style="list-style-type: none"> • El recipiente de almacenamiento de hielo está vacío. • La válvula de la línea de agua doméstica no está abierta. • La puerta del refrigerador o freezer no está cerrada. • El hielo se ha derretido y congelado alrededor de la barrena debido a un uso poco frecuente, fluctuaciones de temperatura y/o cortes de energía. • Los cubitos de hielo se han trabado entre el brazo de la máquina de hacer hielo y la parte trasera del recipiente. • Los cubitos de hielo están pegados. • Cubitos de hielo que fueron comprados o fabricados de otra manera han sido utilizados en el dispensador. • El tubo de entrada de agua está doblado. • El filtro es antiguo o necesita ser sustituido 	<ul style="list-style-type: none"> • Cuando el primer suministro de hielo cae en el recipiente, el dispensador debería funcionar. • Abra la válvula de la línea de agua doméstica y espere el tiempo necesario para que se haga el hielo. Cuando se haga el hielo, el dispensador debe funcionar. • Verifi que que ambas puertas estén cerradas. • Quite el recipiente de almacenamiento de hielo y descongele el contenido. Limpie el recipiente, séquelo con un paño y vuelva a colocarlo en su lugar. Cuando se fabrique el hielo, el dispensador debe funcionar. • Quite los cubitos de hielo que están trabando el dispensador. • Use el dispensador a menudo para evitar que los cubitos se peguen entre sí. • Con el dispensador deben utilizarse sólo los cubitos hechos en la máquina de hacer hielo. • Revise el tubo instalado. • Sustituya el filtro por uno nuevo.
Ruido a caída de hielo.	<ul style="list-style-type: none"> • Ha caído una tanda de hielo en el recipiente. 	<ul style="list-style-type: none"> • Este sonido se produce cuando el hielo fabricado automáticamente cae en el recipiente de almacenamiento de hielo. El volumen puede variar según la ubicación del refrigerador.
Ruido a agua corriendo.	<ul style="list-style-type: none"> • La máquina de hacer hielo está recibiendo agua. 	<ul style="list-style-type: none"> • Este sonido se escucha normalmente cuando la máquina de hielo recibe agua después de liberar el hielo fabricado automáticamente. • Si este sonido dura más de 10 segundos, compruebe si existen fugas.
Otros	Tenga a bien leer detenidamente las secciones Máquina Automática para Hacer Hielo y Cómo Operar el Dispensador de este manual.	

DIMENSIONES Y ESPECIFICACIONES IMPORTANTES

La apariencia y especificaciones listadas en esta guía pueden variar debido a mejoras constantes del producto.

Refrigerador con congelador inferior modelos LFX25961	
Descripción	Réfrigérateur à portes françaises
Requerimientos eléctricos	115 VAC @ 60 Hz
Presión de agua mín. / máx.	21~121 PSI (1,5~8,5 kgf/cm ²)
Dimensiones	35 3/4" (W) X 34 1/4" (D) X 69 3/4" (H), 46 1/2" (P con puerta la abierta) 908 mm (W) X 870 mm (D) X 1772 mm (H), 1181 mm (P con puerta la abierta)
Peso neto	324 lb. (147 kg)
Capacidad de almacenamiento del refrigerador	17,6 pies cúbicos
Capacidad de almacenamiento del congelador	7,1 pies cúbicos

LG ELECTRONICS, INC.

FRIGORÍFICO LG GARANTÍA LIMITADA - USA

En caso de que su Frigorífico LG ("Producto") falle por defectos de material o mano de obra bajo circunstancias de uso doméstico normal durante el período de garantía descrito a continuación, LG, a su criterio, reparará o reemplazará el producto. Esta garantía limitada es sólo válida para el comprador original del producto y se aplicará sólo cuando la compra y el uso se haya realizado dentro de los Estados Unidos, incluyendo los territorios de EE.UU. Para solicitar un servicio cubierto por esta garantía limitada, será necesario presentar el comprobante de compra original.

PERÍODO DE GARANTÍA		
Frigorífico	Sistema Cerrado (Sólo compresor, condensador, y evaporador)	
Un (1) año a partir de la fecha original de compra	Un (1) año a partir de la fecha original de compra	Siete (7) años a partir de la fecha original de compra
Piezas y mano de obra (sólo piezas internas funcionales)	Piezas y mano de obra	Sólo piezas (Se le cobrará mano de obra al consumidor)

- ▶ Los productos y piezas reemplazados están garantizados por la parte que reste del período original de la garantía o por noventa (90) días, el período que sea más largo de los dos.
- ▶ Los productos y piezas reemplazados pueden ser nuevos o reacondicionados.

ESTA GARANTÍA SUSTITUYE A CUALQUIER OTRA GARANTÍA, EXPRESA O IMPLÍCITA, INCLUYENDO, SIN LIMITACIONES, CUALQUIER GARANTÍA DE COMERCIABILIDAD O ADECUACIÓN A UN FIN PARTICULAR. HASTA EL EXTREMO PERMITIDO POR LA LEY PARA UNA GARANTÍA IMPLÍCITA, LA DURACIÓN SE LIMITA AL PERÍODO DE GARANTÍA EXPRESA INDICADO ANTERIORMENTE. NI EL FABRICANTE NI EL DISTRIBUIDOR DE EE.UU. SERÁN RESPONSABLES DE CUALQUIER DAÑO EXTRAORDINARIO POR MOTIVOS AJENOS, INDIRECTOS, ESPECIALES, O DAÑOS PUNITIVOS DE CUALQUIER NATURALEZA, INCLUYENDO SIN LIMITACIONES, PÉRDIDAS DE BENEFICIOS, O CUALQUIER OTRO DAÑO YA SEA MENCIONADO EN EL CONTRATO, ACUERDO, O CUALQUIER OTRO SUPUESTO. Algunos estados no permiten la exclusión o limitación de daños extraordinarios o ajenos o limitaciones sobre la duración de una garantía implícita, por lo tanto la exclusión o limitación citada arriba puede que no se le aplique a usted. Esta garantía le otorga derechos legales específicos y podría tener otros derechos que variarán dependiendo del estado.

ESTA GARANTÍA LIMITADA NO CUBRE:

1. Desplazamientos del servicio para entregar, recoger, instalar o reparar el producto, instruir al cliente en el funcionamiento del producto, reparar o reemplazar fusibles o corregir cableados o fontanería o para realizar correcciones de reparaciones o instalaciones no autorizadas.
2. Averías de funcionamiento del producto durante cortes eléctricos e interrupciones del servicio eléctrico.
3. Daños causados por tuberías de agua con fugas o rotas, tuberías de agua congeladas, conductos de drenaje bloqueados, suministros de agua inapropiados o interrumpidos o suministros de aire inadecuados.
4. Daños provocados por un uso del producto en una atmósfera corrosiva o contraria a las instrucciones enmarcadas en el manual del propietario del producto.
5. Daños al producto provocados por accidentes, plagas y parásitos, rayos, viento, fuego, inundaciones o actos de la Naturaleza.
6. Daños provocados por un uso indebido, abuso, instalación, reparación o mantenimiento inadecuados. Una reparación inadecuada que incluya piezas no aprobadas o especificadas por LG.
7. Daños o fallos provocados por una modificación o alteración no autorizada, o por un uso más allá de su propósito o cualquier fuga de agua causada por una incorrecta instalación de la unidad.
8. Daños o fallos provocados por una incorrecta corriente eléctrica, voltaje, normativas de fontanería, uso comercial o industrial, o uso de accesorios, componentes, o productos de limpieza desechables que no estén aprobados por LG.
9. Daños provocados por transporte y manipulación, incluyendo arañazos, limaduras, astillados y/o cualquier otro daño al acabado de su producto, a menos que tales daños sean producto de defectos en los materiales o en la fabricación y sea informado en el plazo de una (1) semana desde su entrega (Llame al: 1-800-243-0000).
10. Daños u objetos desaparecidos de cualquier producto de presentación, con la caja abierta o productos rebajados o reacondicionados.
11. Productos cuyo número de serie original haya sido retirado, alterado o no sea legible con claridad. Para la validación de la garantía serán necesarios el recibo de compra original, el número de serie y el número del modelo.
12. Incrementos de los costes de utilidad y gastos de utilidad adicionales.
13. Sustitución de bombillas, filtros o cualquier otra pieza desechable.
14. Reparaciones cuando su producto haya sido usado de forma diferente al uso doméstico normal (p.ej. uso comercial, en oficinas y lugares de ocio) o contrario a las instrucciones enmarcadas en el manual del propietario del producto.
15. Costes asociados a la retirada del producto de su hogar para reparaciones.
16. La retirada y reinstalación del producto si se encuentra instalado en un lugar inaccesible o no está instalado de acuerdo con lo publicado en el manual de instalación del producto, incluyendo los manuales LG del propietario y de instalación.
17. Las estanterías, cestas de las puertas, cajones, manillas, y otras piezas a parte de aquellas que venían incluidas con este modelo en particular.

El coste de la reparación o sustitución bajo estas circunstancias excluidas será asumido por el cliente.

Para obtener una información más detallada de la garantía y asistencia al cliente, Por favor llame o visite nuestra página web:

Llame al 1-800-243-0000 (24 horas al día, 365 días al año) y seleccione la opción apropiada del menú o visite nuestra página web en: <http://us.lgservice.com>

O por correo: Centro de información al cliente LG:

P. O. Box 240007, 201 James Record Road Huntsville, Alabama 35813
ATTN: CIC

Escriba la información de su garantía debajo:

Información de registro del producto:

Modelo: _____

Número de serie: _____

Fecha de la compra: _____

NOTAS

NOTAS

