

SHE6AP05UC

24" Ascenta Dishwasher

Dishwasher



Features and Benefits

Appearance

- Stainless Steel TallTub w/ *PP - Lifetime Warranty on Rust-Through
- 6 Wash Cycles and 2 Options

Quietness

- Virtually Silent: 50 dBA
- Two Pumps Minimize Noise & Vibration

Efficiency

- 300 kwh/yr - Energy Star®
- EcoSense™ Reduces Energy Usage by up to 20%
- Half Load Option for Small Loads
- SaniDry™ Hygienic Condensation Drying
- Flow-Through Water Heater™
- Triple Filtration System

Safety

- Bosch Exclusive 24/7 Overflow Leak Protection
- ChildLock Prevents Unwanted Cycle Changes
- NSF Certified - Eliminates 99.9% of Bacteria
- Concealed Heating Element - No Melting of Plastics

Capacity

- 14 Place Setting Capacity
- 300 Series Racks with Flexible Silverware Basket and 2 Cup Shelves
- Manual Height Adjustment Allows You to Raise or Lower the Upper Rack

Convenience

- Multi-Function LED with Remaining Time
- Quick Wash - In 30 Minutes or Less



Notes: All height, width and depth dimensions are shown in inches. *Please refer to installation instructions prior to making cutout. BSH reserves the absolute and unrestricted right to change product materials and specifications, at any time, without notice. Consult the product's installation instructions for final dimensional data and other details. Applicable product warranty can be found in a accompanying product literature or you may contact your account manager for further details.

For more information on our entire line of products, go to boschappliances.com or call 1-800-944-2904.
Copyright ©2009 BSH Home Appliances Corporation. All rights reserved. Bosch is a registered trademark of Robert Bosch GmbH.

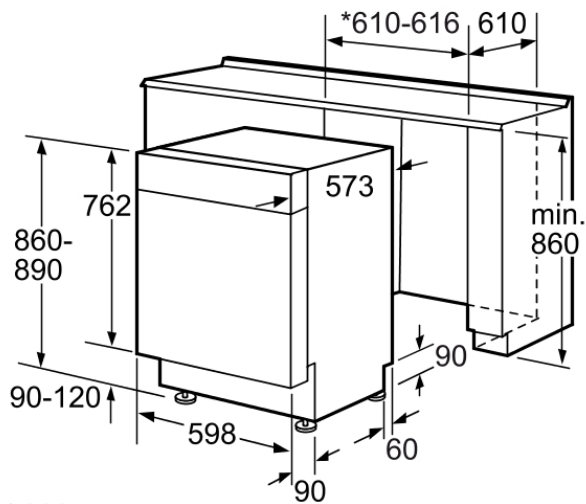
Litho Date: 10/2009



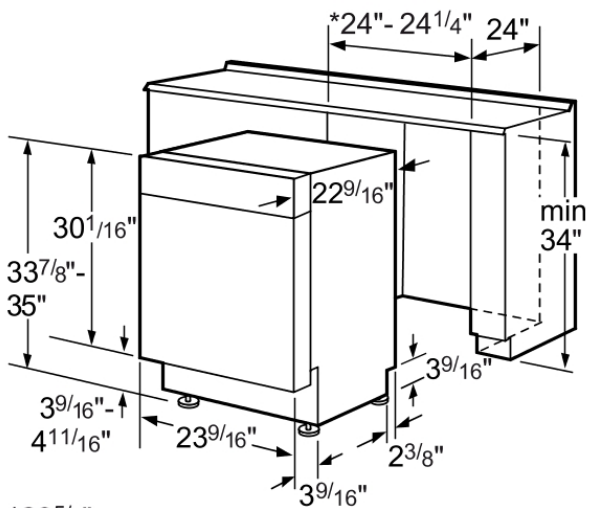
SHE6AP05UC

24" Ascenta Dishwasher

Dishwasher



* 600
without decor strips Measurements in mm



* 23 5/8"
without decor strips in inch

Features

UPC code	825225878704
Main color of product	Stainless steel
Installation Type	Build-under
Panel ready	Not possible
Alternative colors available	SHE6AP02UC, SHE6AP06UC
Silence level (dBA)	50
Watts (W)	1400
Current (A)	12
Volts (V)	120
Frequency (Hz)	60
Total annual energy consumption (kWh)	300
Energy Star® qualified	Yes
Plug type	Fixed connection
Power cord length (in)	
Length outlet hose (in)	90 1/2 "
Length inlet hose (in)	
Required cutout size (HxWxD) (in)	33 15/16" - 35" x 24 " x 24 "
Overall appliance dimensions (HxWxD) (in)	33 7/8 " x 23 9/16 " x 22 9/16 "
Product packaging dimensions (HxWxD) (in)	36.61 x 26.37 x 25.98
Net weight (lbs)	94
Gross weight (lbs)	105
Adjustable feet	No
Tub material	Stainless steel/Polinox
Tub type	TALLTUB
ADA Compliant	No
Number of place settings	14

Technical Specification

Leak Protection System	AQUASTOP
ChildLock	Button suspension
Water softener	No
Top basket type	300
Adjustable upper rack	Single
Shelf Racks in Top Basket	
Upper rack cup shelf	2 x simple
Bottom basket type	300
Bottom basket Inserts	0
3rd Rack	no
Silverware basket	Standard
Optional accessories	SGZ1010UC, SGZ1052UC,

Notes: All height, width and depth dimensions are shown in inches. *Please refer to installation instructions prior to making cutout. BSH reserves the absolute and unrestricted right to change product materials and specifications, at any time, without notice. Consult the product's installation instructions for final dimensional data and other details. Applicable product warranty can be found in a accompanying product literature or you may contact your account manager for further details.

For more information on our entire line of products, go to boschappliances.com or call 1-800-944-2904.
Copyright ©2009 BSH Home Appliances Corporation. All rights reserved. Bosch is a registered trademark of Robert Bosch GmbH.

Litho Date: 10/2009

