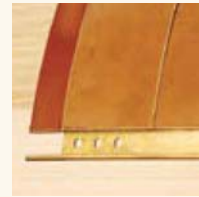


CHENG COLLECTION

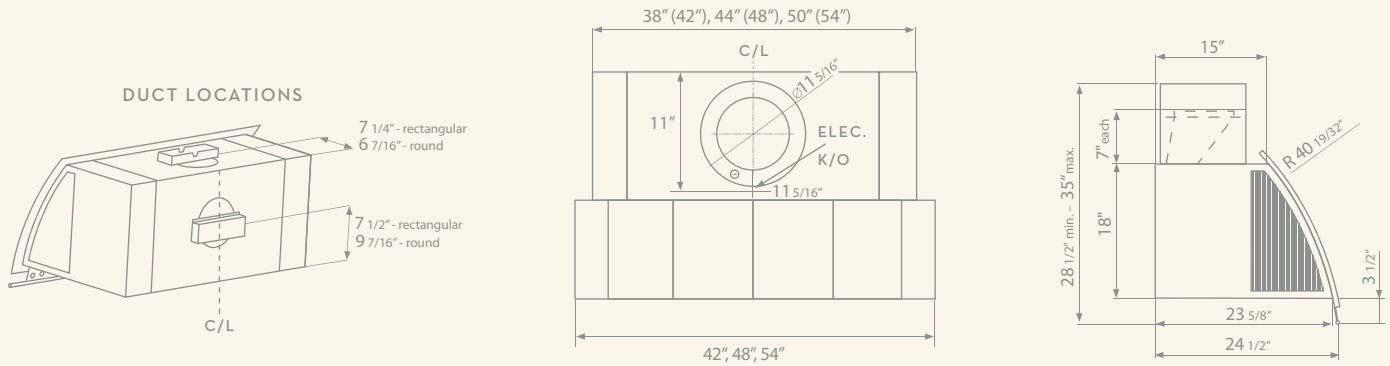


PADOVA

Inspired by Italy's timeless architectural aesthetic, the Padova invites your originality and vision. This new concept from Cheng is designed to be customized with the materials of your choice. So whether you prefer mosaic tile, ribbed glass, or the many possibilities of Italian Marmorino plaster, you will have a hand in making Padova a signature addition to your home.



CHENG COLLECTION



PADOVA

WALL

MODEL	CPA-E42ASX	CPA-E48ASX	CPA-E54ASX
SIZE	42"	48"	54"
NET WIDTH	42"	48"	54"
PERFORMANCE*			
Internal Blower (EBI-600B)	600 cfm	600 cfm	600 cfm
External Blower (CBE-1000)	1000 cfm	1000 cfm	1000 cfm
Internal Blower Sones (max.)	9	9	9
BODY COLOR			
Stainless Steel	SS	SS	SS
CANOPY COLOR			
Stainless Steel	CPC-0012	CPC-0018	CPC-0015
Brass	CPC-0112	CPC-0118	CPC-0115
FEATURES			
Controls	Electronic Touch	Electronic Touch	Electronic Touch
Speed Levels	3	3	3
Lighting	Halogen, 50W x 2 Incandescent 40W x 2	Halogen, 50W x 2 Incandescent 40W x 2	Halogen, 50W x 2 Incandescent 40W x 2
Dual Level Lighting (Halogen)	Yes	Yes	Yes
Filters	Baffle x 2	Baffle x 3	Baffle x 3
Recirculating	No	No	No
Duct Cover Extension	No	No	No
DUCT SPECIFICATIONS			
Internal Blower - Vertical	8"	8"	8"
Internal Blower - Horizontal	3-1/4"x10"	3-1/4"x10"	3-1/4"x10"
External Blower - Vertical	8" - 10"***	8" - 10"***	8" - 10"***
External Blower - Horizontal	8" - 10"***	8" - 10"***	8" - 10"***
AC INPUT	120V - 60Hz	120V - 60Hz	120V - 60Hz
AC POWER			
Internal Blower	Max. 630W at 5.25 Amps	Max. 630W at 5.25 Amps	Max. 630W at 5.25 Amps
External Blower	Max. 880W at 7.33 Amps	Max. 880W at 7.33 Amps	Max. 880W at 7.33 Amps
OPTIONAL ACCESSORIES			
Doluflex Veneer - Copper	CDO-0142	CDO-0148	CDO-0154
Doluflex Veneer - Stainless	CDO-0242	CDO-0248	CDO-0254

HEIGHT ACCOMODATIONS†

Vertical Ducting	Min. ceiling height 7' 8". Hood mounted 28" above cooking surface; 64" from floor.	Max. ceiling height 8' 10". Hood mounted 36" above cooking surface; 72" from floor.
Horizontal Ducting	Min. 28" - Max 36" from cooking surface.	

*Blowers not included with hoods, order blower separately. **Run 10" round duct work from external blower to the ceiling bracket. Before duct work passes through the ceiling bracket, use a 10" to 8" transition (included) and run 8" duct work. †Height measured from bottom of front rail.