



Standard Features & Accessories

Both models include

- Dimensioned to fit the majority of standard sized cooktop cutouts
- Sealed burners with brass flame ports and porcelain/cast iron caps
- One-piece tooled top with large spill collection area around burners
- Heavy-duty stainless steel control knobs with childproof, push-to-turn safety feature

4B model includes

- Four burners
 - Left front—15,000 Nat./LP (BTU)
 - Left rear—4,000 Nat./LP (BTU)
 - Right rear—12,000 Nat./LP (BTU)
 - Right front—9,000 Nat./LP (BTU)

5B model includes

- Five burners
 - Left front—15,000 Nat./LP (BTU)
 - Left rear—4,000 Nat./LP (BTU)
 - Center—9,000 Nat./LP (BTU)
 - Right rear—12,000 Nat./LP (BTU)
 - Right front—12,000 Nat./LP (BTU)

Model Options



DGVU200-4B
30"W. Four-Burner Cooktop



DGVU260-5B
36"W. Five-Burner Cooktop

FINISH DETAILS FOR BOTH MODELS

- Stainless Steel (SS), Black (BK)
 - Finish designates top. Black porcelain grates, porcelain burner caps, and knob grips.
- White (WH)
 - Finish designates top. Gray porcelain grates, porcelain burner caps, and knob grips.

ORDERING INSTRUCTIONS

First specify model number, and then color code (DGVU200-4BSS).



Dimensions & Specifications

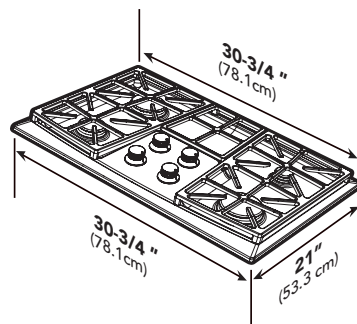
OVERALL PRODUCT DIMENSIONS



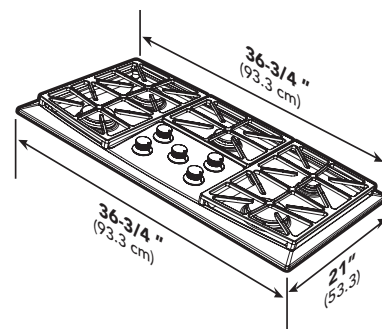
DGVU200-4B
30"W. Four-Burner
Cooktop



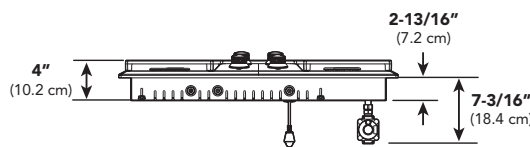
DGVU260-5B
36"W. Five-Burner
Cooktop



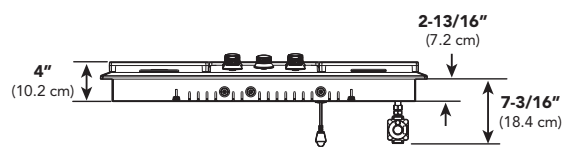
30"W. Models



36"W. Models



FRONT VIEW



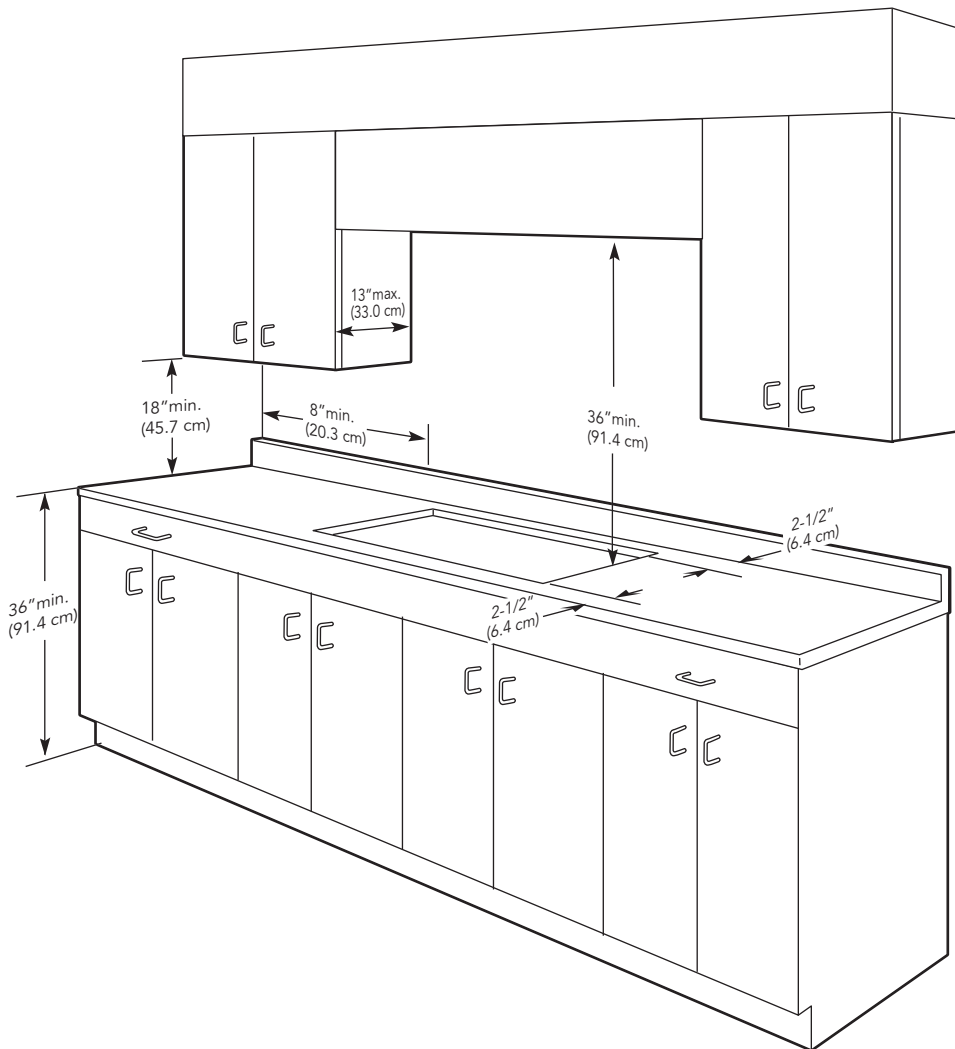
FRONT VIEW

	DGVU200-4B	DGVU260-5B
Overall width	30-3/4" (78.1 cm)	36-3/4" (93.3 cm)
Overall height (top of grate to bottom)		4" (10.2 cm)
Overall depth (from rear)		21" (53.3 cm)



Dimensions & Specifications

CLEARANCE DIMENSIONS



Minimum clearances from adjacent combustible construction

- Sides—8" (20.3 cm)
- Rear—2-1/2" (6.4 cm) min.
- Within 8" (20.3 cm) side clearance; wall cabinets no deeper than 13" (33.0 cm)
- Must be minimum 18" (45.7 cm) above countertop
- Wall cabinets directly above cooktop must be minimum 36" (91.4 cm) above the countertop.

1. The cooktop may be installed directly to existing base cabinets.
2. The cooktop **cannot** be installed directly adjacent to sidewalls, tall cabinets, tall appliances, or other side vertical surfaces above 36" (91.4 cm) high. There must be a minimum of 8" (20.3 cm) side clearance from the cooktop to such combustible surfaces

- above the 36" (91.4 cm) counter height.
3. Within the 8" (20.3 cm) side clearance to combustible vertical surfaces above 36" (91.4 cm), the maximum wall cabinet depth must be 13" (33.0 cm) and wall cabinets within this 8" (20.3 cm) side clearance must be 18" (45.7 cm) above the 36" (91.4 cm) high countertop.
4. Wall cabinet above the cooktop must be a minimum of 36" (91.4 cm) above the countertop for a full width of the cooktop. This minimum height requirement does **not** apply if a rangehood is installed over the cooking surface.
5. A 120-volt wall receptacle should be located approximately 6" (15.2 cm) below the countertop cutout and 12" (30.5 cm) from the right side of the cutout.

Warning

The use of cabinets for storage above the appliance may result in a potential burn hazard. If a cabinet storage is to be provided the risk can be reduced by installing a rangehood that projects horizontally a minimum of 5" (12.7 cm) beyond the bottom of the cabinets.



UTILITY REQUIREMENTS



GAS

- Shipped natural gas standard; to field convert from natural or LP/Propane, the orifice spuds and regulator must be physically changed.
 - All parts necessary for conversion ship with product.
- Accepts standard residential 1/2" (1.3 cm) ID gas service line
- Gas manifold pressure
 - Natural gas 5.0" W.C.P.
 - LP/propane 10.0" W.C.P.



ELECTRICAL

- 4-foot (121.9 cm) cord included with cooktop
- 3-wire with ground/3-prong plug
- 120 V/60 Hz
- Maximum amp usage—2.0



PLUMBING

Not applicable

Installation Requirements

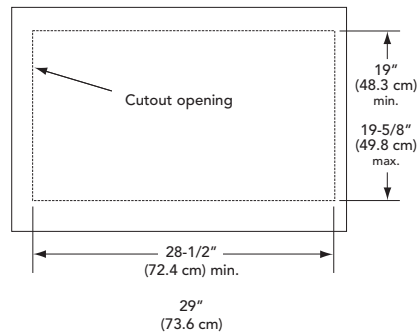
ACCESS REQUIREMENTS



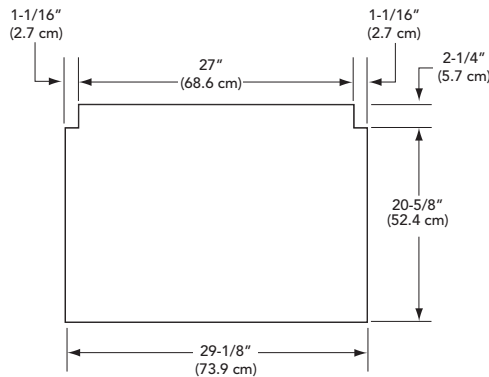
DGVU200-4B
30"W. Four-Burner Cooktop



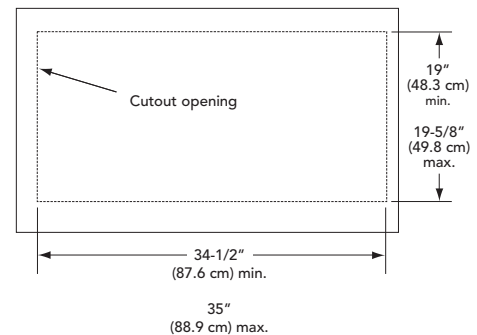
DGVU260-5B
36"W. Five-Burner Cooktop



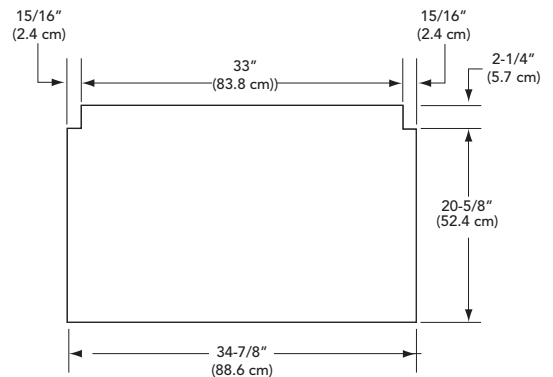
30"W. Cutout



30"W. Cutout w/Downdraft



36"W. Cutout



36"W. Cutout w/Downdraft

	DGVU200-4B	DGVU260-5B
Cutout width	28-1/2" (72.4 cm) min. to 29" (73.6 cm) max.	34-1/2" (87.6 cm) min. to 35" (88.9 cm) max.
Cutout height	2-13/16" (7.3 cm) min.*	
Cutout depth	19" (48.3 cm) min. to 19-5/8" (49.8 cm) max.	
Surface burner rating		
Left front	15,000 BTU Nat./LP (4.4 kW)	
Left rear	4,000 BTU Nat./LP (1.0 kW)	
Right rear	12,000 BTU Nat./LP (2.1 kW)	
Right front	9,000 BTU Nat./LP (2.6 kW)	12,000 BTU Nat./LP (3.5 kW)
Center	N/A	9,000 BTU Nat./LP (2.6 kW)

*Top of grate support should be 3/8" (1.0 cm) above countertop.

**There must be a 1" (2.5 cm) clearance under counter on all 4 sides of the cooktop.



Compliance Information



WARRANTY INFORMATION*

- One-year full warranty—complete product
- Five-year limited warranty—surface burners
- Ninety-day limited warranty—cosmetic parts such as painted or decorative items

* For complete warranty see *Use & Care Guide*. Warranty valid on Viking products shipped within the United States and Canada.

