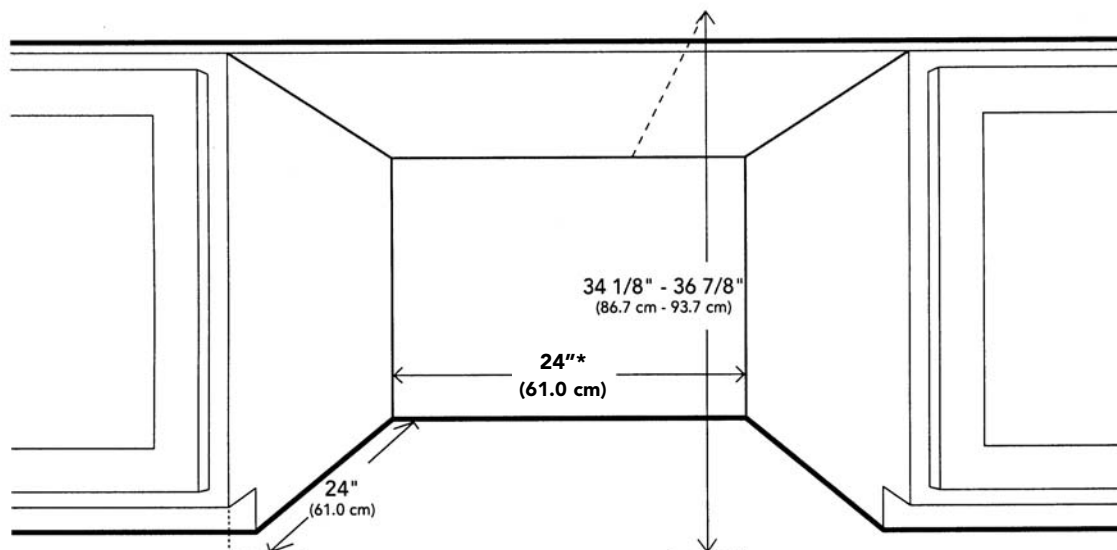


CUTOUT DIMENSIONS



NOTE: If the dishwasher is installed in a corner, there must be a minimum clearance of 2" (5.1 cm) from the side wall so the door can open.

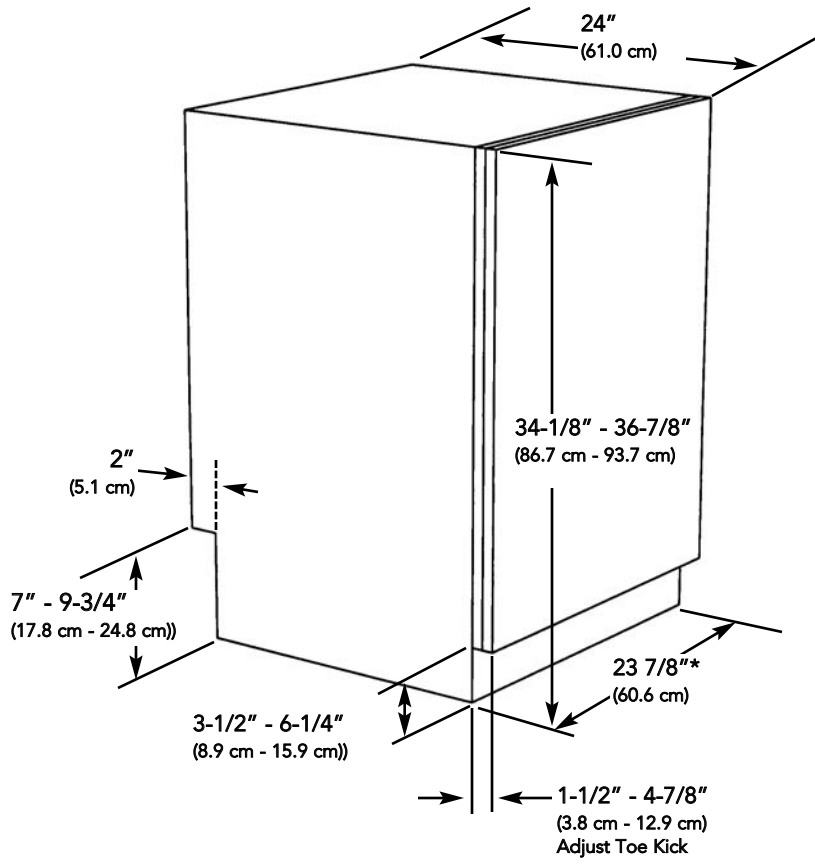
BASIC SPECIFICATIONS

DESCRIPTION	DFUD
Overall Width*	23 7/8" (60.6 cm)
Overall Height from floor**	Minimum - 34-1/8" (86.7 cm) Maximum - 36-7/8" (93.7 cm)
Overall Depth from Rear	To edge of side - 24" (61.0 cm) - includes drain hose and door panel With door open - 49" (124.5 cm)
Cutout Width*	24" (61.0 cm)
Cutout Height**	Minimum - 34-1/4" (87.0 cm) Maximum - 37" (94.0 cm)
Cutout Depth	24" (61.0 cm)
Electrical Requirements	120VAC/60 Hz; 6' (1.8 m) electrical cord supplied with unit.
Water-Heating Element Rating	1200 watts
Maximum Amp Usage	15.0 amps
Approximate Shipping Weight	104 lb. (47.2 kg.)

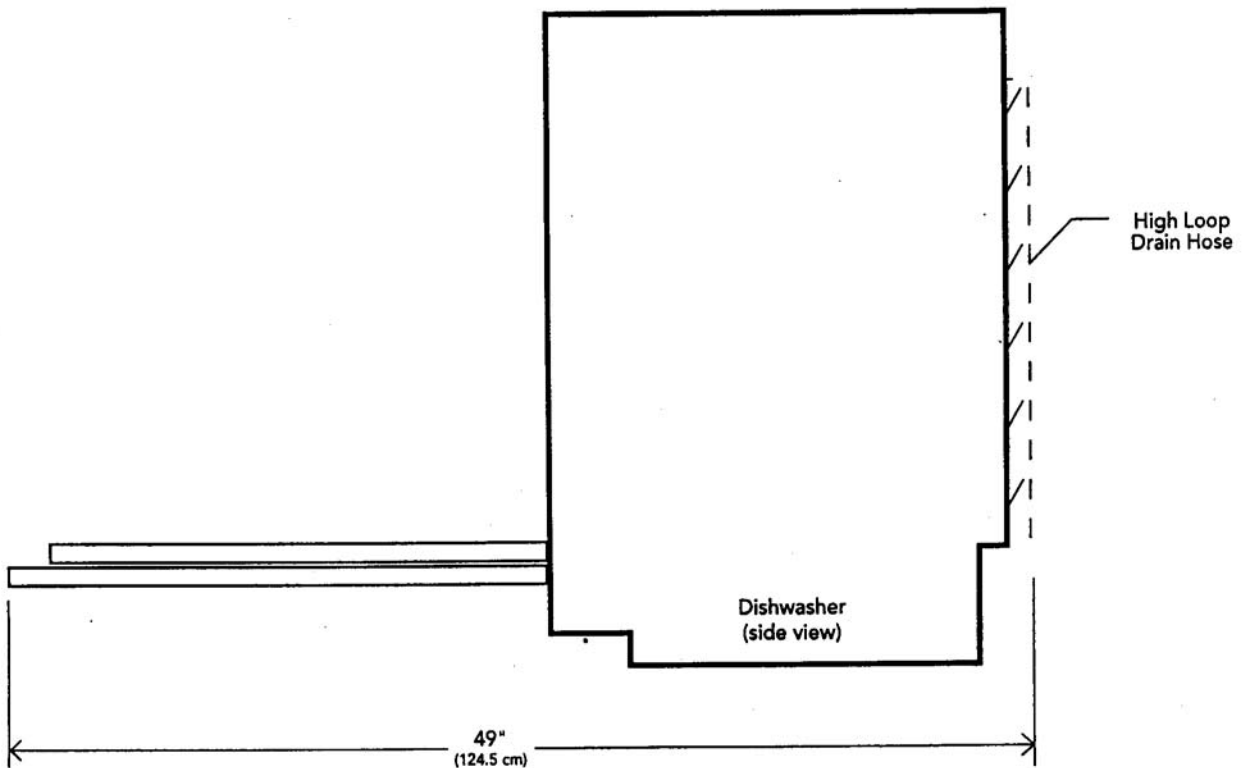
*Without side trims, the unit width is 23 1/2" (59.7 cm). When installing the dishwasher without the side trim, the cutout must be 23 5/8" (60.0 cm) and approximately 4" (10.2 cm) of the inside cabinets must be finished.

**Without top trim, the unit height is 33-3/4" (85.7 cm)

BASIC DIMENSIONS



*with side trim



INSTALLING THE DESIGNER SERIES OR PROFESSIONAL SERIES DOOR PANEL

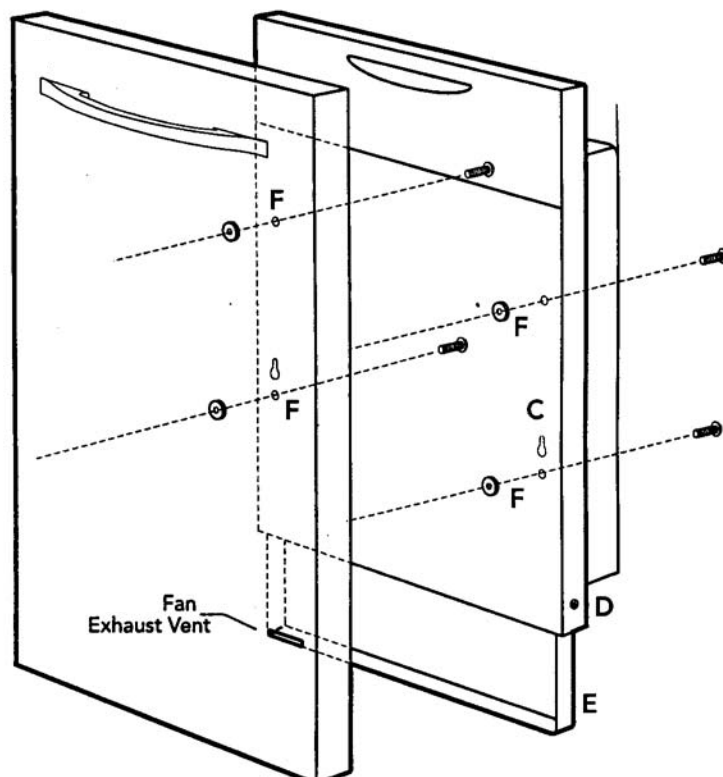
(Purchased separately)

The unit comes with everything needed to make installing the door panel easy.

1. Peel the adhesive backing off the washers and place them in line with the four holes (F) on the metal inner door of the dishwasher.
2. Loosen the screws (D) on the outer edge of the dishwasher.
3. Pull the fan exhaust frame (E) down until the lower edge aligns with the lower edge of the cabinets and tighten the screws (D).

WARNING!! The door panel must not obstruct the fan exhaust vent.

4. Hook the door panel screws into the keyholes (C) on the dishwasher door and pull up on the panel.
5. While holding the door panel into position, carefully open the dishwasher door. Using the stainless steel screws provided, fasten the door panel into the four holes (F) on the inner door.
6. Remove the backing from the protective tape and apply it to the edge of the panel, in front of the exhaust vent.
7. Raise the exhaust frame (E) to the bottom edge of the door panel and tighten screws (D) on the side of the dishwasher.



NOTE: Door shown is the Designer Series door panel.

INSTALLING THE FULL OVERLAY CUSTOM DOOR FRONT (Locally supplied)

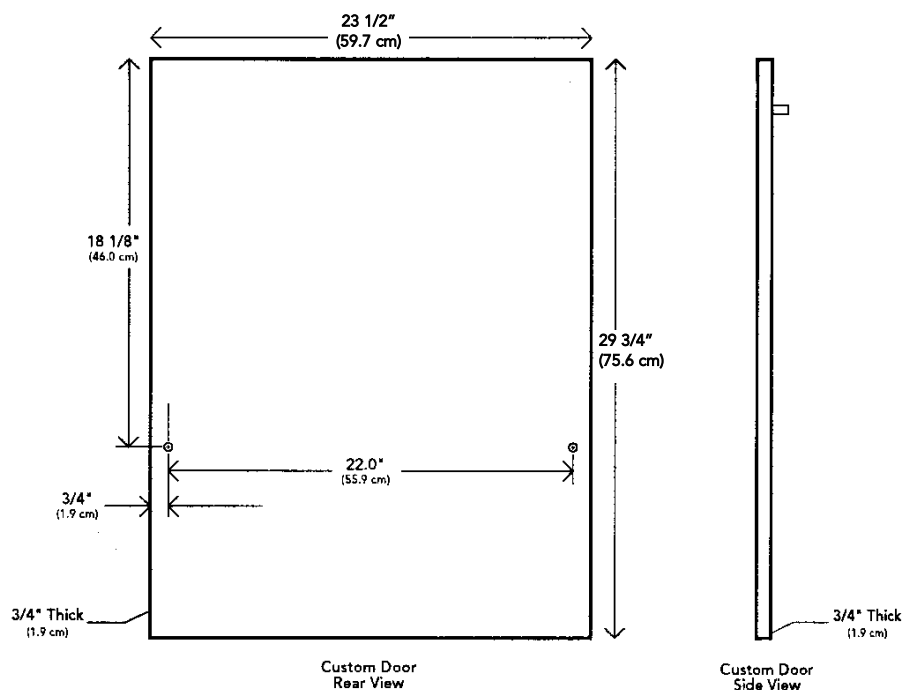
The dishwasher can be installed with a custom door panel that extends from the kickplate to the countertop. The unit comes with everything needed to make installing the door panel easy. The inner door is pre-drilled for the custom door's mounting screws. The custom panel should be at least 3/4" (1.9 cm) thick.

ITEMS PROVIDED WITH THE UNIT

- (2) 3/8" (.95 cm) screws (B)
- (4) 1 3/4" (4.4 cm) screws (F)

CUSTOM OVERLAY DIMENSIONS

Width	23 1/2" (59.7 cm)
Height	29 3/4" (75.6 cm)
Thickness	3/4" (1.9 cm)
Weight	Up to 22 lbs. (9.9 kg)

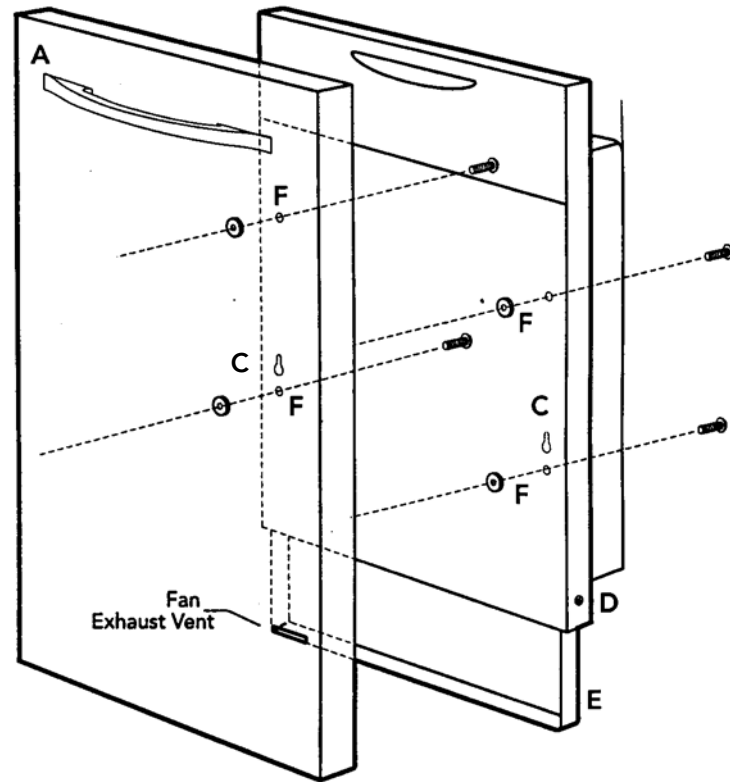


Before fitting the custom door front, the dishwasher must be installed underneath the cabinet. After making required measurements, it may be necessary to pull the unit out again to install the door front.

1. Fit handle (A) onto the panel according to the manufacturer's instructions (NOTE: A handle should be used rather than a knob, because a knob does not provide enough grip.)
2. Loosen the screws (D) on the outer edge of the dishwasher.
3. Pull the fan exhaust frame (E) down until the lower edge aligns with the lower edge of the cabinets and tighten the screws (D).

WARNING - The custom door front must not obstruct the fan exhaust vent.

4. The two short screws go into the back of the panel, 18 1/8" (46.0 cm) from the upper edge of the door and 3/4" (1.9 cm) from the outer edges of the custom door. Insert the short screws into the custom door, leaving 1/8" (.3 cm) of space between the screw head and the custom door. (See illustration above.)
5. Hook the custom door screws into the keyholes (C) on the dishwasher door.
6. Pull up on the custom door front until the lower edge aligns with the lower edge of the cabinets. **NOTE: The custom door front should not extend more than 2 15/16" (7.4 cm) below the bottom of the dishwasher door. Otherwise, it will strike the kickplate and damage the unit or custom door.**
7. While holding the custom door front in place, open the dishwasher. Using the stainless steel screws provided, fasten the door front into the four holes (F) on the inner door of the dishwasher.
8. Raise fan exhaust frame (E) so that the air nozzle is approximately 3/16" (.5 cm) from wood panel and screw frame into place.



ADJUSTING THE DOOR SPRINGS

Check that the door can be opened at any angle. If it tends to fall down, pull out the unit and tension the door springs on the side of the unit by moving them one hole farther back, or by twisting the spring to make it shorter.

