

*Frigidaire*

Factory Parts Catalog

Product No.	FDB1050REB0	FDB1050REC0	FDB1050REM0	FDB1050REQ0	FDB1050RES0
Series	Built-in 24"	Built-in 24"	Built-in 24"	Built-in 24"	Built-in 24"
Color	black	stainless	silver mist	bisque	white
Owner's Guide English	154544801	154544801	154544801	154544801	154544801
Owner's Guide Spanish	154545001	154545001	154545001	154545001	154545001
Owner's Guide French	154544901	154544901	154544901	154544901	154544901
Service Data Sheet	154547901	154547901	154547901	154547901	154547901
Energy Guide	154540027	154540027	154540027	154540027	154540027
Installation Instructions	154427301	154427301	154427301	154427301	154427301
Market	North America	North America	North America	North America	North America

 **Electrolux**

Electrolux Major Appliances  
 North & Latin America  
 P.O. BOX 212378  
 AUGUSTA, GA 30917

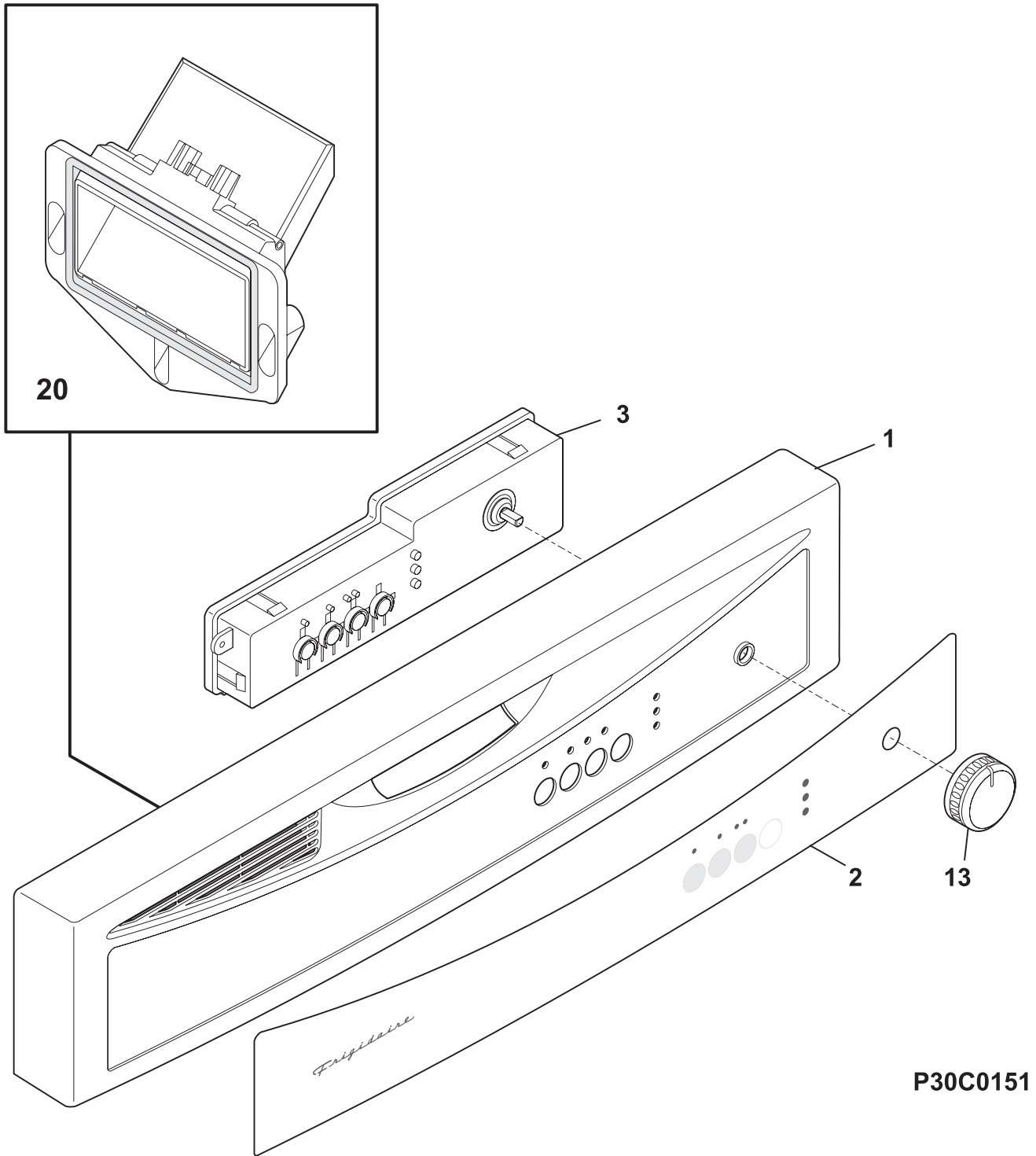
Publication No.  
**5995437240**  
 05/05/20  
 (EN/SERVICE/ECL)  
 821

**24-INCH BUILT-IN  
 DISHWASHER**

**Model No.  
 FDB1050RE**

Copyright © 2005 Electrolux Home Products, Inc.  
 All rights reserved.

**CONTROL PANEL**



**P30C0151**

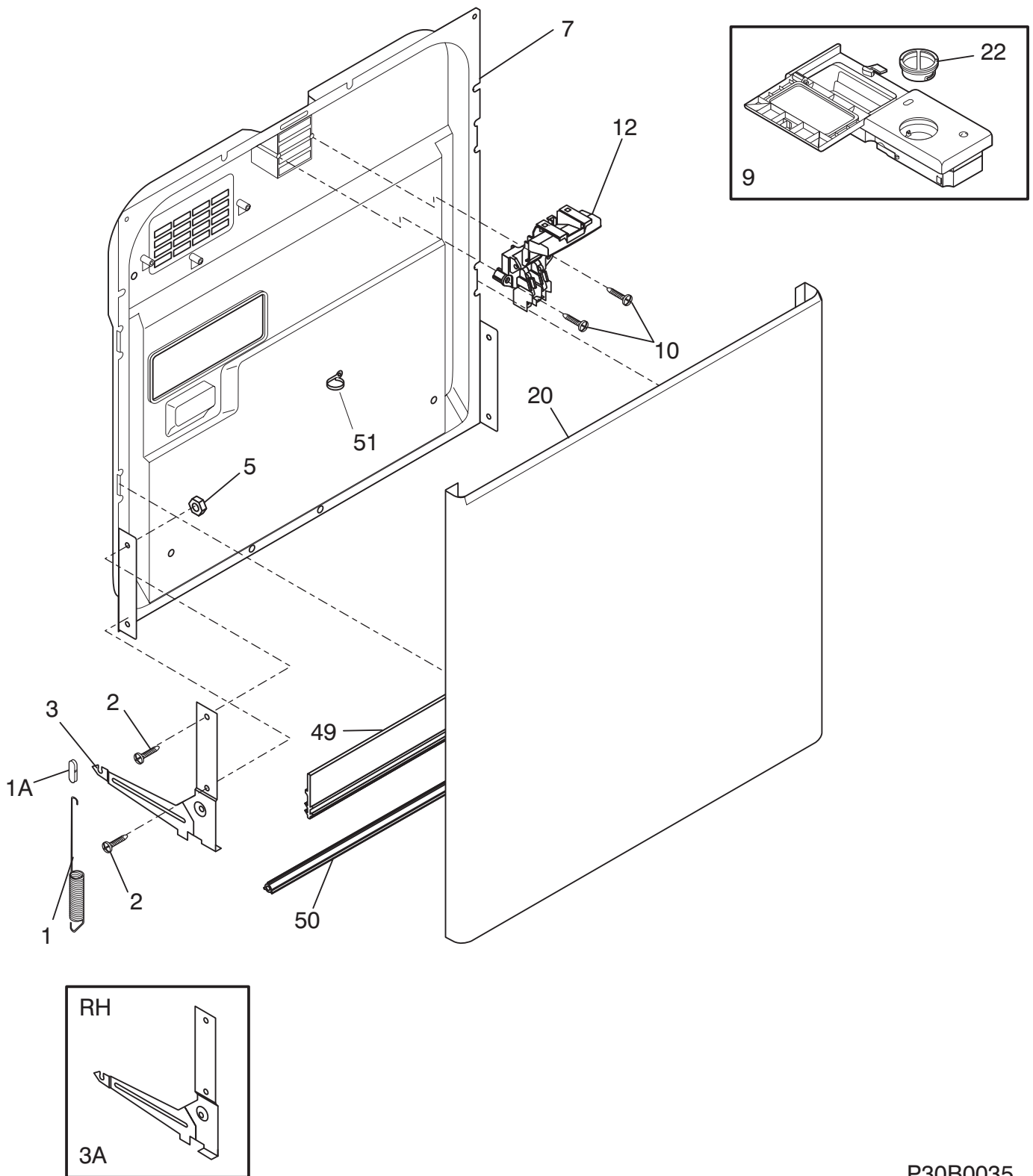
## CONTROL PANEL

---

*Model Index:* A FDB1050RE (FDB1050REB0)  
 B FDB1050RE (FDB1050RECO)  
 C FDB1050RE (FDB1050REMO)  
 D FDB1050RE (FDB1050REQ0)  
 E FDB1050RE (FDB1050RES0)

POS. NO	PART NO.	A	B	C	D	E	DESCRIPTION
1	154534903	A	B	C	-	-	Panel, control, black
1	154534904	-	-	-	D	-	Panel, control, bisque
1	154534901	-	-	-	-	E	Panel, control, white
2	154535203	A	B	C	-	-	Insert, control panel, black, 4 button
2	154535204	-	-	-	D	-	Insert, control panel, bisque, 4 button
2	154535201	-	-	-	-	E	Insert, control panel, white, 4 button
3 #	154547701	A	B	C	D	E	Control Module, 4 button, w/selector
13	154535903	A	B	C	-	-	Knob, control, black
13	154535904	-	-	-	D	-	Knob, control, bisque
13	154535901	-	-	-	-	E	Knob, control, white
20	154433001	A	B	C	D	E	Vent assy, static dry
20*	154436201	A	B	C	D	E	Screw, dry duct, (3)
* #	154553401	A	B	C	D	E	Wiring Harness, main
*	154227501	A	B	C	D	E	Thermistor
*	154540027	A	B	C	D	E	Energy guide label
*	154282901	A	B	C	D	E	Screw, phillips, 8-10 x .7
*	154409401	A	B	C	D	E	Screw, #8-18 x .375
*	5303322387	A	B	C	D	E	Screw, truss head, #8, 1.5", stainless steel

DOOR



P30B0035

---

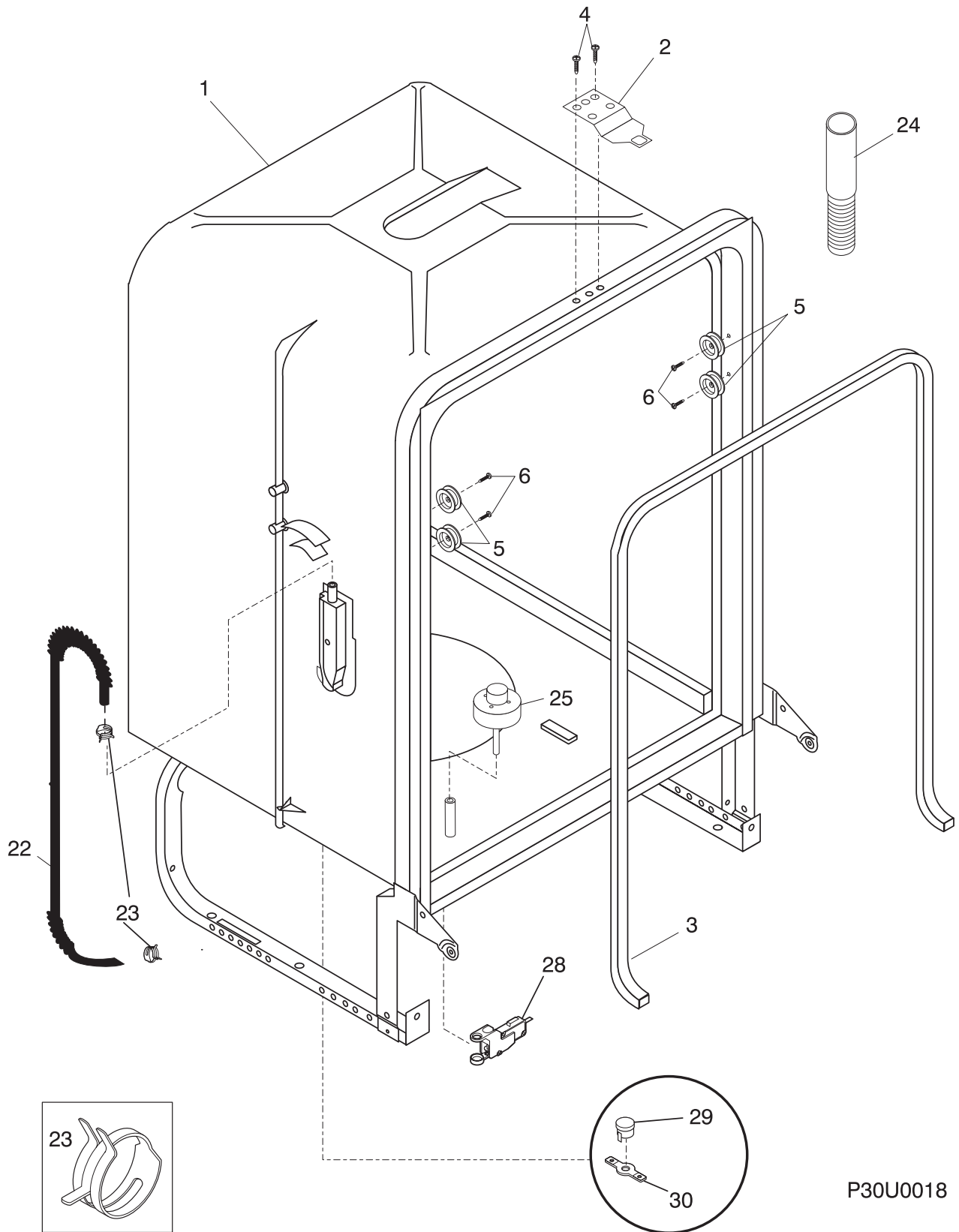
**DOOR**


---

*Model Index:* A FDB1050RE (FDB1050REB0)  
 B FDB1050RE (FDB1050RECO)  
 C FDB1050RE (FDB1050REMO)  
 D FDB1050RE (FDB1050REQ0)  
 E FDB1050RE (FDB1050RES0)

POS. NO	PART NO.	A	B	C	D	E	DESCRIPTION
1	154430501	A	B	C	D	E	Spring, door, (2)
1A	154325201	A	B	C	D	E	Linkage, door spring, (2)
2	154093301	A	B	C	D	E	Screw, arm assy, (4)
3	154325306	A	B	C	D	E	Arm Assy, LH
3A	154325305	A	B	C	D	E	Arm Assy, RH
*	154529101	A	B	C	D	E	Pin, arm assy
5	154079601	A	B	C	D	E	Nut, arm assy, and handle mtg.
7	154299004	A	B	C	D	E	Door, inner assy
9	154230103	A	B	C	D	E	Dispenser, det/rinse aid, includes #22
9*	154294701	A	B	C	D	E	Screw, #7 plas .375, (6), disp. assy.
10	154282901	A	B	C	D	E	Screw, phillips, 8-10 x .7
12 #	154535503	A	B	C	-	-	Latch assy, black
12 #	154535504	-	-	-	D	-	Latch assy, bisque
12 #	154535501	-	-	-	-	E	Latch assy, white
20	154538303	A	-	-	-	-	Door, black
20	154538305	-	B	-	-	-	Door, stainless
20	154538306	-	-	C	-	-	Door, silver mist
20	154538304	-	-	-	D	-	Door, bisque
20	154538301	-	-	-	-	E	Door, white
20*	5304428306	A	B	C	D	E	Screw, door mtg., (2)
22	154388801	A	B	C	D	E	Cap, Rinse aid
49	154297603	A	B	C	D	E	Gasket, door, bottom
50	154211401	A	B	C	D	E	Support, door hinge
51	154320301	A	B	C	D	E	Clamp, drip loop, wire
*	154409401	A	B	C	D	E	Screw, #8-18 x .375

TUB



P30U0018

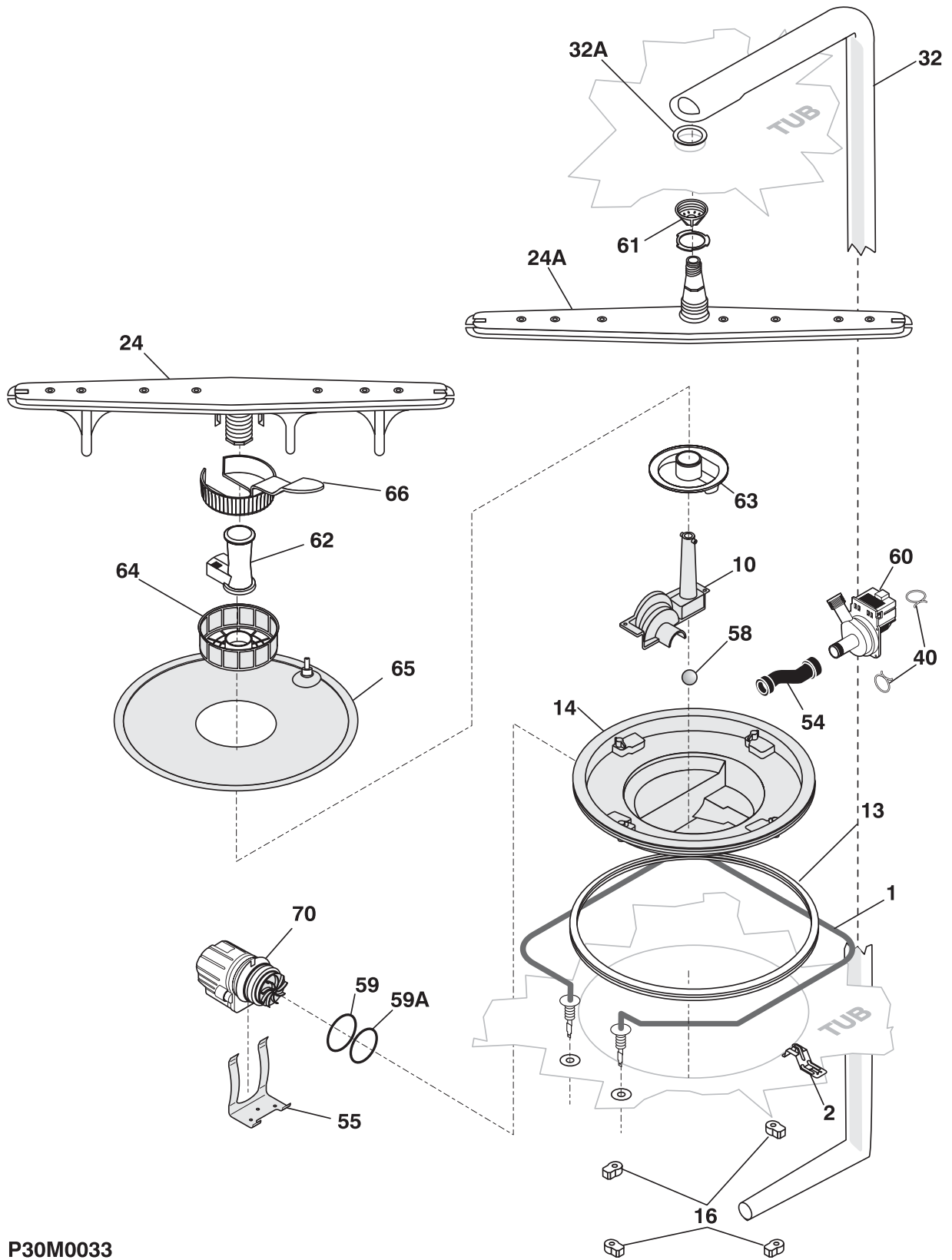
## TUB

---

*Model Index:*   A FDB1050RE (FDB1050REB0)  
                       B FDB1050RE (FDB1050RECO)  
                       C FDB1050RE (FDB1050REMO)  
                       D FDB1050RE (FDB1050REQ0)  
                       E FDB1050RE (FDB1050RES0)

POS. NO	PART NO.	A	B	C	D	E	DESCRIPTION
1 #	154209301	A	B	C	D	E	Tub assy, w/frame parts
2	154429101	A	B	C	D	E	Strike, door
3 #	154211801	A	B	C	D	E	Gasket, tub
4	154200602	A	B	C	D	E	Screw, 10-16 x 3/8, hex
5	154333902	A	B	C	D	E	Roller, tub
6	5303943103	A	B	C	D	E	Screw, w/washer, (8)
22	154446001	A	B	C	D	E	Tubing, water inlet
23	5303318539	A	B	C	D	E	Clamp, tubing, (2)
24 #	154525301	A	B	C	D	E	Hose, drain
25 #	154209701	A	B	C	D	E	Float
28	154408701	A	B	C	D	E	Switch Assy, float
29 #	154290204	A	B	C	D	E	Thermostat, re-settable
30	154241101	A	B	C	D	E	Retainer, thermostat
30*	154297701	A	B	C	D	E	Screw, retainer-thermo
*	154456902	A	B	C	D	E	Insulation, blanket
*	154041001	A	B	C	D	E	Screw, plask #1, 10-10 x 9/16
*	5300807270	A	B	C	D	E	Screw, (2), countertop mtg.

MOTOR & PUMP



P30M0033

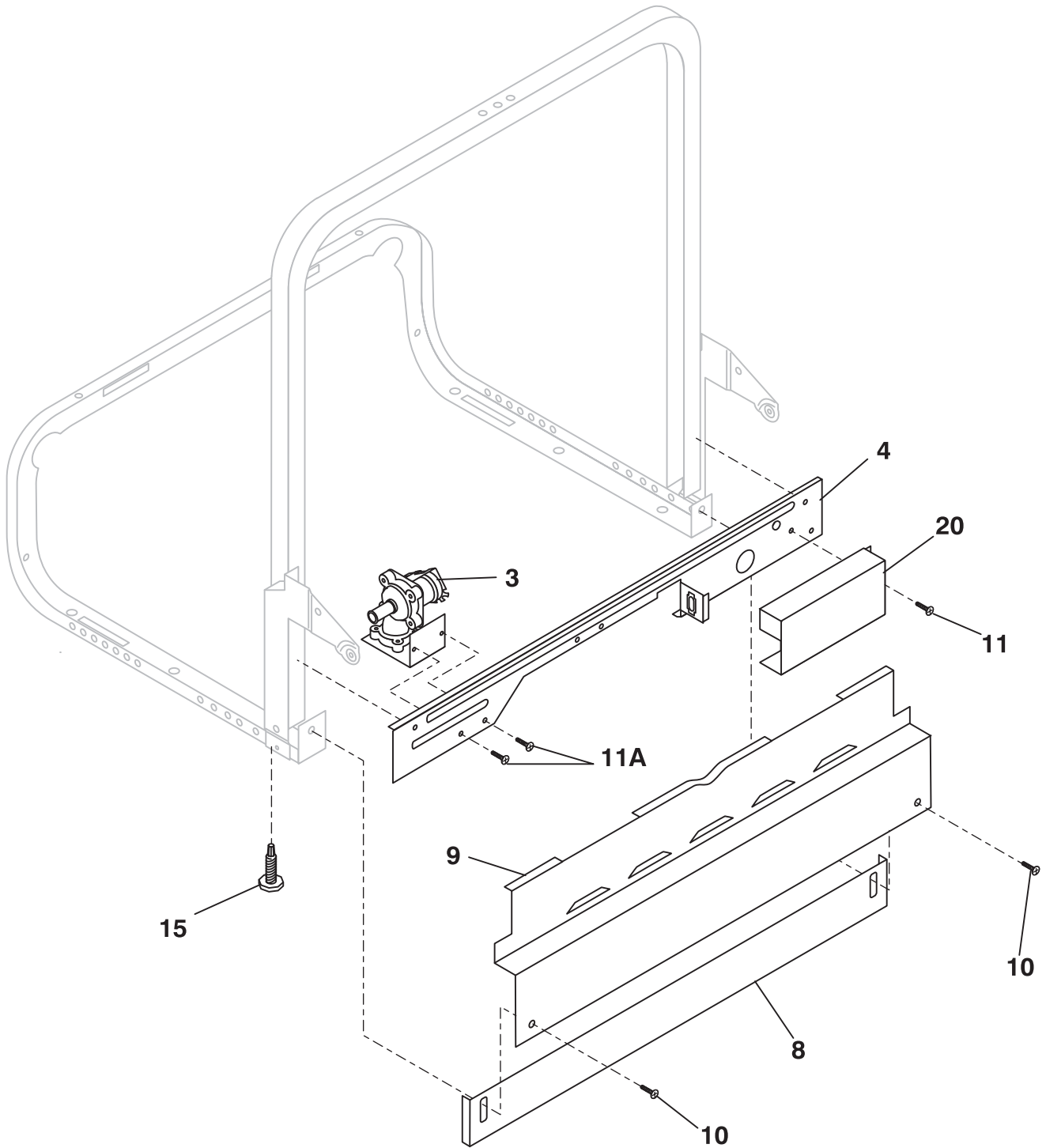


**MOTOR & PUMP**

*Model Index:* A FDB1050RE (FDB1050REB0)  
 B FDB1050RE (FDB1050RECO)  
 C FDB1050RE (FDB1050REMO)  
 D FDB1050RE (FDB1050REQ0)  
 E FDB1050RE (FDB1050RES0)

POS. NO	PART NO.	A	B	C	D	E	DESCRIPTION
1	154247601						Heater
1*	154106201						Nut, heater, (2)
1*	154289801						Shield, heater terminal
2	154479601						Bracket, heater, (2)
10	154245501						Cover, volute
13	154246801						Gasket, sump
14	154365902						Housing, sump
16	154246502						Retainer, sump
24	154414101						Spray arm, lower, w/heat shield
24A	154313601						Spray arm, center
24A*	154252001						Nut, spray arm, center
32	154406601						Tube, delivery
32A	154406401						Gasket, delivery tube
40	154348401						Clamp, red, pump
40	154348502						Clamp, red, pump
40*	154106801						Clamp, hose, (2)
40*	154380601						Clamp, hose, (1)
54	154234401						Hose, connector
55	154362301						Bracket, motor, askoll
55*	5303316032						Screw, truss ss, 8 .625
58	154246402						Check ball
59	154246901						O-ring, rear
59A	154247001						O-ring, front
60	154474101						Drain Pump Assy
60*	154426201						Bracket, motor, drain
60*	5303318719						Screw, mtg.
61	154406501						Nozzle, 3rd level, spray arm
62	154294101						Support, spray arm, lower
63	154252201						Base, soil director
64	154252301						Filter, soil director, white
65	154252401						Filter, polypro
66	154252701						Trap, glass
70 #	154520501						Motor assembly, circulation, w/o o'rings
*	154200601						Screw, #10-16 x 3/8

**FRAME**



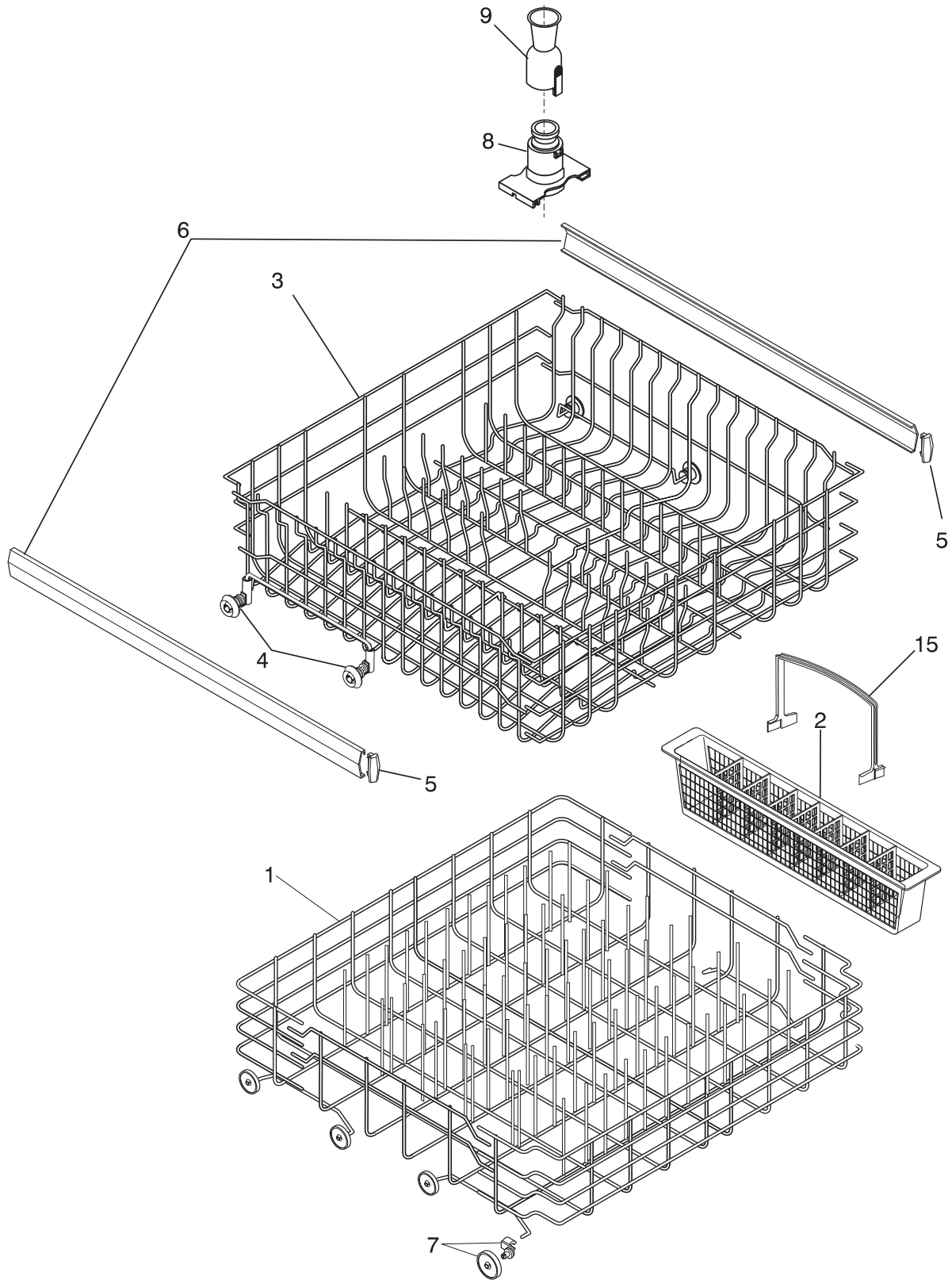
**P30F0022**

**FRAME**

*Model Index:* A FDB1050RE (FDB1050REB0)  
 B FDB1050RE (FDB1050RECO)  
 C FDB1050RE (FDB1050REMO)  
 D FDB1050RE (FDB1050REQ0)  
 E FDB1050RE (FDB1050RES0)

POS. NO	PART NO.					DESCRIPTION	
3 #	154476101	A	B	C	D	E	Valve, water
4	154208701	A	B	C	D	E	Brace, front frame
8	154322903	A	B	C	-	-	Toeplate, adjustable, black
8	154322905	-	-	-	D	-	Toeplate, adjustable, bisque
8	154322901	-	-	-	-	E	Toeplate, adjustable, white
9	154397203	A	B	C	-	-	Kickplate Assy, black, w/foam
9	154397204	-	-	-	D	-	Kickplate Assy, bisque, w/foam
9	154397201	-	-	-	-	E	Kickplate Assy, white, w/foam
10	5300808658	A	B	C	-	-	Screw, #8A x .375", black
10	154371303	-	-	-	D	-	Screw, phillips head, bisque
10	154371301	-	-	-	-	E	Screw, phillips head, white
11	154200701	A	B	C	D	E	Screw, #10-32 x 3/8
11A	154200601	A	B	C	D	E	Screw, #10-16 x 3/8
15	154419301	A	B	C	D	E	Screw, leveling
20	154209601	A	B	C	D	E	Cover, junction box
*	154041001	A	B	C	D	E	Screw, plask #1, 10-10 x 9/16
*	154200602	A	B	C	D	E	Screw, 10-16 x 3/8, hex
*	154409401	A	B	C	D	E	Screw, #8-18 x .375

### RACKS



P30R0025

## RACKS

---

*Model Index:*   A FDB1050RE (FDB1050REB0)  
                       B FDB1050RE (FDB1050REC0)  
                       C FDB1050RE (FDB1050REM0)  
                       D FDB1050RE (FDB1050REQ0)  
                       E FDB1050RE (FDB1050RES0)

POS. NO	PART NO.	A	B	C	D	E	DESCRIPTION
1	154319706						Rack assy, lower
2	154295201						Basket, silverware
3	154319506						Rack assy, upper
4	154522901						Wheel & bushing assy, upper rack, (8)
5	5300809927						Cap, slide, (4)
6	154232701						Slide, rack, (2)
7	154174502						Wheel & bracket assy, lower rack
8	154304001						Base, funnel
9	154251801						Funnel
15	154254001						Handle, basket, silverware