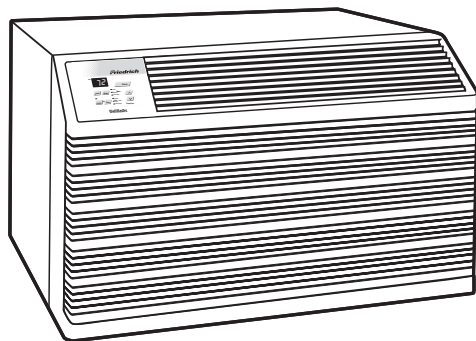


## Thru-the-wall

### Air Conditioners and Heat Pumps

---

**WallMaster®**    115-Volt: WS08, WS10, WS14  
230-Volt: WS10, WS13, WS16, WE10, WE13, WE16, WY10, WY13



# Table of Contents

Your Safety and the safety of others .....2

**Introduction**

Economizing Tips ..... 3

Electrical Data ..... 3

**Introduction**

How to operate your Friedrich room air conditioner ..... 4

To start unit ..... 4

To set mode of operation ..... 4

To adjust temperature ..... 4

To adjust fan speed..... 4

To activate smart fan ..... 4

To set hour clock..... 4

To set the timer ..... 4

Automatic component protection ..... 5

Using the remote control..... 5

How to clean the air filter ..... 6

How to change airflow direction..... 7

How to cover inner weather panel holes ..... 7

Electrical requirements ..... 7

Never use an extension cord ..... 8

Power cord information ..... 8

Troubleshooting tips and home maintenance..... 9

**Installation instructions for WSC sleeve**

Mounting hardware ..... 10

Wall preparation ..... 10

Installation requirements..... 11

Sleeve installation..... 11

**WallMaster chassis installation instructions**

WS, WE and WY models (WSC-A sleeve) installation ..... 12

WS, WE and WY models (WSC-B sleeve) installation ..... 13

Condensate removal ..... 15

Alternate drain kits..... 15

Warranty ..... 16

Warranty registration record ..... 17

**Your safety and the safety of others are very important.**

We have provided many important safety messages in this manual and on your appliance. Always read and obey all safety messages.



This is a safety Alert symbol.  
This symbol alerts you to potential hazards that can kill or hurt you and others.  
All safety messages will follow the safety alert symbol with the word "WARNING" or "CAUTION". These words mean:

 **WARNING**

You can be killed or seriously injured if you do not follow instructions.

 **CAUTION**

You can receive minor or moderate injury if you do not follow instructions.

All safety messages will tell you what the potential hazard is, tell you how to reduce the chance of injury, and tell you what will happen if the instructions are not followed.

**NOTICE**

A message to alert you of potential property damage will have the word "NOTICE". Potential property damage can occur if instructions are not followed.

## WELCOME to years of economical comfort




Your new Friedrich Room Air Conditioner has been carefully engineered and manufactured to give you many years of dependable, efficient operation, keeping your room at a comfortable temperature and humidity level. Many extra features have been built into your Friedrich Room Air Conditioner to assure quiet operation, greatest circulation of cool, dry air, most flexible selection of function controls, and high economy of operation.

There are many things you can do in and around your home to save more money - and even increase the efficiency and long life of your Friedrich unit. Here are a few examples:

1. How to Set Thermostat: When you first turn on your air conditioner, select the highest fan speed and set the thermostat to its coldest position to cool the room. When the desired temperature is reached, turn the thermostat control toward "warmer" until the compressor goes off. The thermostat will then cause the compressor to go on and off to maintain this selected temperature. You can adjust the fan speed for optimum air circulation.
2. Do not block the flow of air to and from the unit - make sure the louvers are directed to give even distribution of air throughout the room. Caution: If air is obstructed and/or deflected back into the air conditioner, this may cause the unit to cycle on and off rapidly, which could damage your unit.
3. Adequate insulation - walls, ceilings, and below floors - can save up to 50% of the cost of cooling in most areas of the country.
4. Caulking: in well insulated homes, air leaks around doors, windows, lighting and plumbing fixtures can account for as much as 30% of the load on heating and cooling systems. See that all these areas are well caulked.
5. Install weather stripping (metal is preferable to felt) around exterior doors and windows.
6. Have a fireplace? Be sure the damper is closed during air conditioner operation.
7. When it's time to reroof or repaint the outside of your home, choose light colors. They reflect heat instead of absorbing it.
8. Shade your outside walls (especially on the west) from the direct sun; most importantly, shade the unit itself. Trees and shrubs provide natural shading, but make sure they don't block the air flow around the unit. If natural shade isn't present, awnings are the best solution for shading the unit and the windows. Also, avoid areas where too much dust or pollen would be drawn into the air conditioner.
9. Inside the house, use blinds, screens, or drapes on windows exposed to the sun. They will reduce your cooling needs. (Lined or insulated draperies will also help cut heating costs in winter).
10. Make sure your attic area is properly vented. In addition, consider installing turbine or power ventilators to help remove hot air from your attic.
11. Keep your Friedrich unit clean. Use a vacuum cleaner attachment for accessible parts, but take care not to damage them. Clean the reusable filter at least twice a month.
12. Set the thermostat at a higher temperature - save 5% in energy usage for each degree of temperature over 72°F.

These are the most important suggestions for saving money on cooling costs. Some, however, may not be applicable to your house or area. Check with your local utility company for more specialized information.

## Electrical Data

Model	Plug Type	Circuit Rating, Breaker or Time Delay Fuse
WS08, WS10, WS14	 NEMA No. 5-15P	125V-15 AMP
WS10, WS13, WS16	 NEMA No. 6-15P	250V-15 AMP
WE10, WE13, WE16, WY10, WY13	 NEMA No. 6-20P	250V-20 AMP

### WARNING

#### Electrical Shock Hazard

Make sure your electrical receptacle has the same configuration as your air conditioner's plug. If different, consult a Licensed Electrician.

Do not use plug adapters.  
Do not use an extension cord.  
Do not remove ground prong.



Always plug into a grounded 3 prong outlet. Failure to follow these instructions can result in death, fire, or electrical shock.

# How to operate your Friedrich room air conditioner

## To start unit

If your air conditioner is installed and plugged into a proper receptacle, it is ready to go. The first time the unit is started, the compressor will delay for three minutes. See Automatic Component Protection on the following page.

- 1 Touch the **Power** button once. The unit will automatically be in **Cool** mode with the temperature set at 75°F (24°C) and the fan speed at F1, the sleep setting.

## To set mode of operation

When you first turn the unit on, it will be in the **Cool** mode with constant fan.

- 2 On WS cool-only models, touch the **Mode** button once to activate the **MoneySaver**® (WS models only. See item 14 for Money Saver instructions on WY/WE models).

**MoneySaver**® is a feature that cycles the fan with the compressor so that the fan does not run all the time. This saves energy and improves dehumidification. MoneySaver® will also run to test the temperature if the off cycle is too long. Or you may prefer constant fan for more air movement. (To return to constant fan, touch the **Mode** button two more times).

In order to run the fan by itself, do the following:

On WY/WS heat-cool models, touch the **Mode** button once to activate the **Fan Only** feature. The **Fan Only** setting will circulate air in the room without the compressor coming on.

- 3 Continuing from MoneySaver® mode, touch the **Mode** button once to activate the **Fan Only** feature (WS cool-only models).

## To adjust temperature

- 4 Use the **Mode** button to select either the **Cool** or **MoneySaver**® function (or Heat for WY/WE heat-cool models)
- 5 **COOLER** – Touch the **▼** button to lower the room air temperature.
- 6 **WARMER** – Touch the **▲** button to raise the room air temperature.
- 7 Press both the **▲** and **▼** buttons at the same time to switch the temperature from Fahrenheit (°F) to Celsius (°C). Repeat Step 7 to switch from °C back to °F.

## To adjust fan speed

- 8 Touch the **Fan Speed** button to see the current setting. Touch it again to change speed. F1 is the lowest setting (SLEEP SETTING / LOW), F2 is MEDIUM, and F3 is HIGH.

## To activate Smart Fan (WS cool-only models)

- 9 There is a fourth option, **SF**, when selecting the fan speed. This is the SMART FAN function. SMART FAN DOES NOT OPERATE IN CONJUNCTION WITH THE FAN ONLY MODE.

## To activate Smart Fan (WY/WE heat-cool models)

- 9 Press the **Smart Fan** button to activate the Smart Fan. The light will indicate that this feature is in use.

Smart Fan will adjust the fan speed automatically to maintain the desired comfort level. For example, if the outside doors in your home are opened for an extended period of time, or more people enter a room, Smart Fan may adjust to a higher fan speed to compensate for the increased heat load. This keeps you from having to adjust the fan speed on your own.

## To set the hour clock

- 10 Touch the **Set Hour** button to see the current setting. The number that is displayed is the approximate time (hour only). Use the **▲** and **▼** buttons to change the settings. BE SURE TO SET A.M. AND P.M. ACCORDINGLY. (P.M. is indicated by a red light in the upper left corner of the display).

## To set the timer

**NOTE:** Set the HOUR CLOCK (**Set Hour**) before attempting to set timer functions.

You can set the **Start Time** and **Stop Time** a minimum of one hour apart, and a maximum of 23 hours apart.

- 11 After setting the time, press the **Set Hour** button once (Start light on). Use the **▲** and **▼** buttons to select the time that the unit will **START**.
- 12 After selecting the **Start Time**, press the **Set Hour** button once. (Stop Light on). Use the **▲** and **▼** buttons to select the time that the unit will **STOP**. After selecting the stopping time, press the **Set Hour** button once.
- 13 Press the **Timer On/Off** button (light turns on) to activate the timer function. To deactivate this function, press the **Timer On/Off** button once again (light turns off). Once the on and off times have been selected, they will remain in memory and cycle daily until changed.

**NOTE:** If the unit is unplugged or the power is interrupted, the HOUR must be reset or the **Timer On/Off** will not function when desired.

## To Activate Money Saver (WY/WE models)

- 14 Press the **Money Saver** button to activate the Money Saver feature. The light will indicate the Money Saver is in use.

**MoneySaver**® is a feature that cycles the fan with the compressor so that the fan does not run all the time. This saves energy and improves dehumidification. MoneySaver® will also run to test the temperature if the off cycle is too long. Or you may prefer constant fan for more air movement. (To return to constant fan, touch the **Mode** button two more times).

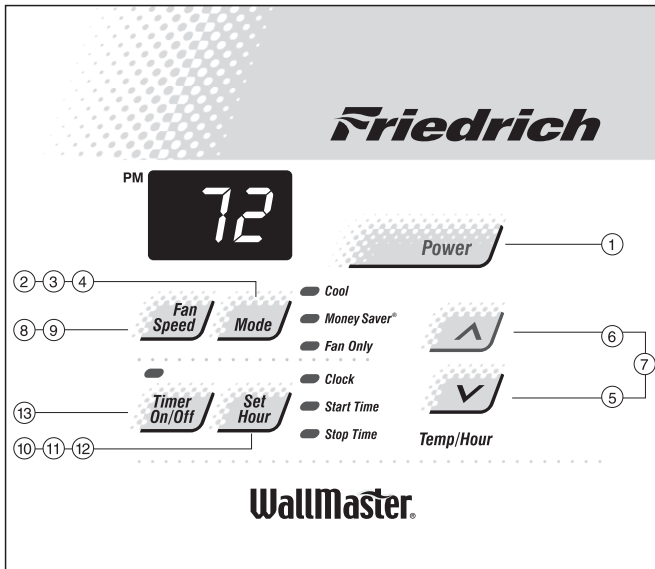


Figure 1: WS Model cool-only control panel

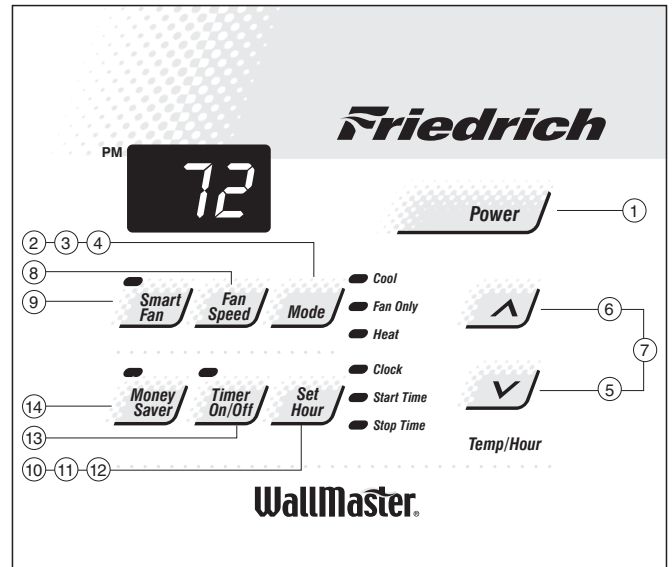


Figure 2: WY/WE Model heat-cool control panel

## Automatic component protection

Your unit is equipped with Automatic Component Protection.

To protect the compressor of the unit, there is a three minute delay if you turn the unit off or if power is interrupted. The fan will not be affected. Also, if you switch from **Cool** mode to **Fan Only** mode, and switch back to **Cool** mode, there is a three-minute delay before the compressor comes back on.

## Using the remote control

### To start unit

- 1 **POWER** - Press the **Power** button once. The unit will automatically start in the mode and fan speed it was last left on.

### To set mode of operation

- 2 **COOL** - Press the **Cool** button to automatically switch the operating mode to COOL.
- 3 **FAN ONLY** - Press the **Fan Only** button if you want to run the fan only.
- 4 **HEAT (WY/WE models only)** - Press the **Heat** button to automatically switch the operating mode to HEAT.
- 5 **MoneySaver®** - Press the **Money Saver®** button to activate the MoneySaver® feature. This feature cycles the fan with the compressor so that the fan does not run all the time.

### To adjust temperature

- 6 **WARMER** - Press the **Warmer** button to raise the temperature setting.
- 7 **COOLER** - Press the **Cooler** button to lower the temperature setting.

### To adjust fan speed

- 8 **FAN SPEED** - Press the **Fan Speed** button to see the current setting. Press again to change the fan speed. F1 is the lowest setting (SLEEP / LOW), F2 is MEDIUM, F3 is HIGH, and SF is the SMART FAN setting.

### To set the hour clock

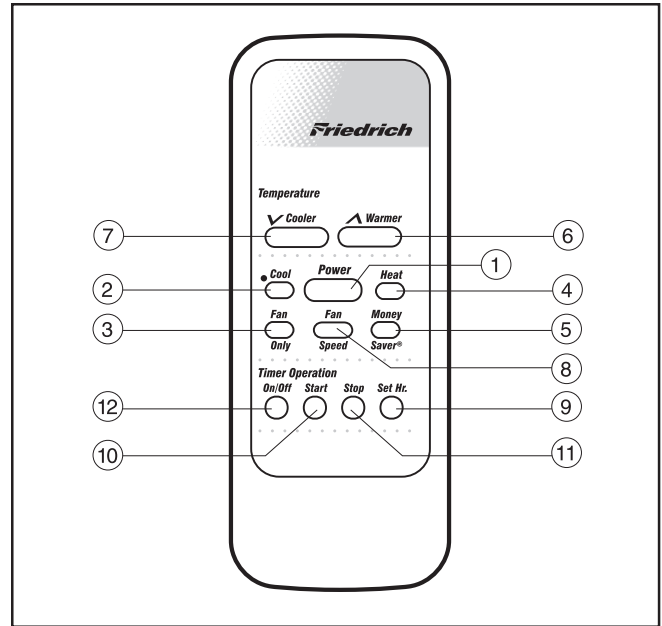
- 9 **SET HOUR CLOCK** - Press the **Set Hr.** button once to see the current clock setting. Continue pressing the button until you arrive at the current time (Hour only). Minutes are not shown on the display. Make sure that the A.M. / P.M. setting is correct.

## To set the timer

NOTE: You can set the START and STOP times a minimum of one hour apart, and a maximum of 23 hours apart.

- ⑩ **TIMER START** - Press **Start** to view the current start time for cooling. Continue pressing the START button until you arrive at the start time you desire. The start time for cooling will then be set.
- ⑪ **TIMER STOP** - Press the **Stop** button. Continue pressing the STOP button until you arrive at the stop time you desire. The stop time for cooling will then be set.
- ⑫ **TIMER ON / OFF** - Press the **On/Off** button (under **Timer Operation**) to activate (light on) or deactivate (light off) the timer. Once the on and off times have been selected, they will remain in memory and cycle daily until changed.

NOTE: If the unit is unplugged or the power is interrupted, the **Set Hr.** function must be reset or the **Timer On/Off** function will not work.



**Figure 3: WY/WE heat-cool model remote control**

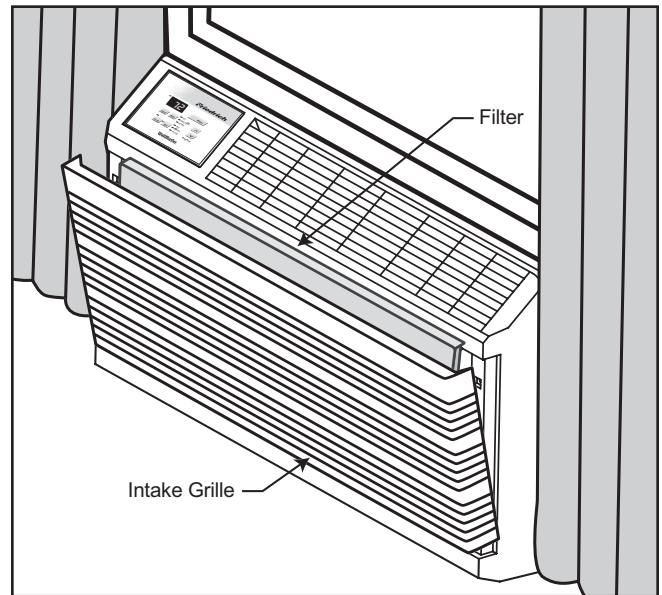
Additional RC1 wireless remote controls can be purchased from your Friedrich dealer.

## How to clean the air filter

Your Friedrich room air conditioner is equipped with a Permafoam reusable air filter which is not affected by washing. The filter serves to remove dust, pollen, and other impurities from the air.

**KEEP THE FILTER CLEAN** - A clogged, dirty filter will reduce the operating efficiency of your unit and contribute to frosting of the indoor coil. Be sure to check the filter every 7 to 10 days. The filter check procedure is easy, due to the unique design of the Friedrich DECORATIVE FRONT.

**FILTER ACCESS** - Remove the INTAKE GRILLE from the DECORATIVE FRONT frame by grasping it at the upper right and left side corners. Pull out until the GRILLE is released from the upper retaining snaps. Tilt down toward you, lift up and out of the bottom retaining snaps. This will expose the filter. Remove the filter by pulling it toward you. Wash the filter in hot, soapy water, rinse, squeeze lightly to remove excess water, shake dry - do not twist - and replace in the unit on the two support hangers. Replace the INTAKE GRILLE by positioning the bottom of the GRILLE into the bottom retaining snaps. Tilt the front up and away from you. Press in lightly on top and the GRILLE will position itself into the upper retaining snaps.



**Figure 4**

## How to change airflow direction

The DISCHARGE GRILLE is installed at the factory to provide 45° upward airflow into the room. (Direction 1 in Figure 5). If a vertical airflow is desired (Direction 2), the direction can be changed by rotating the DISCHARGE GRILLE.

Unplug the air conditioner.

Remove the DISCHARGE GRILLE RETAINER attached with one screw in the right side of the grille.

Remove the DISCHARGE GRILLE from the retaining slots near the CONTROLS, and rotate the grille as shown in Figure 5.

Reinstall the DISCHARGE GRILLE by placing it in its retaining slots. Reattach the DISCHARGE GRILLE RETAINER with the retaining screw. The unit is now ready to operate.

## How to cover inner weather panel holes

Two beige plugs are included in the plastic bag taped to the WallMaster chassis. These plugs may be used to cover the two holes left after removing the inner weather panel (see Figure 5). The plugs must be attached before the DECORATIVE FRONT frame is installed.

## Electrical requirements

**IMPORTANT:** Before you begin the actual installation of your air conditioner, check local electrical codes and the information below.

Your air conditioner must be connected to a power supply with the same AC voltage and hertz rating as marked on the nameplate located on

## ⚠ WARNING



### Electrical Shock Hazard

Use correct circuit protection.

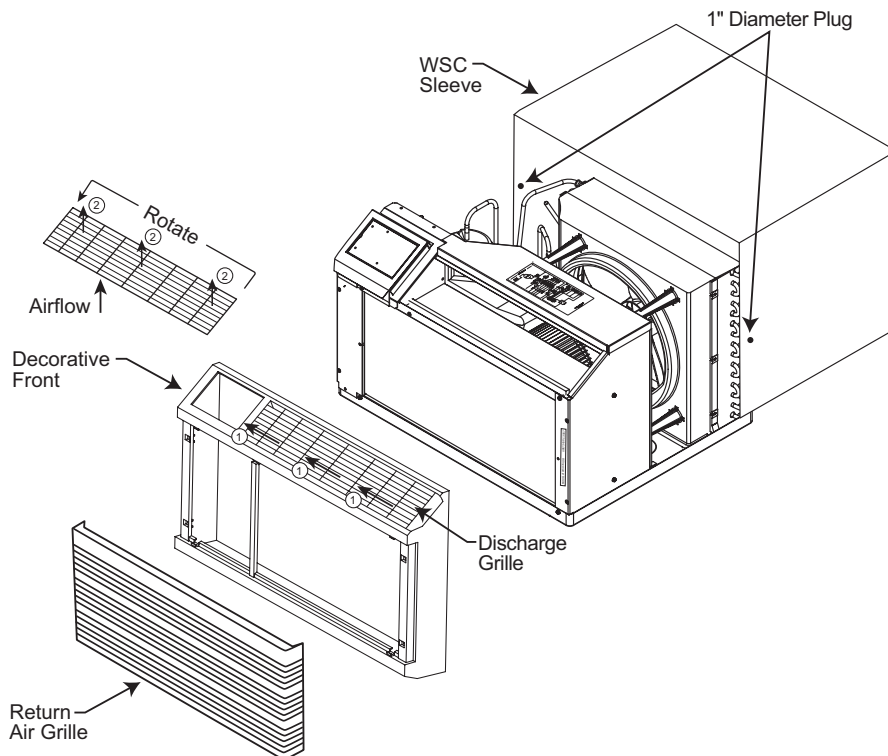
Failure to follow these instructions can result in death, fire, or electrical shock.

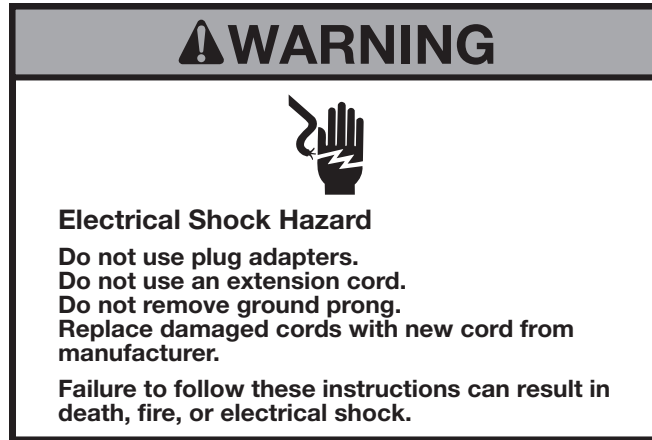
the chassis. Only alternating current (AC) can be used. Consult pages 3 and 7 for the correct type of receptacle for your model.

An overloaded circuit will invariably cause malfunction or failure of an air conditioner, therefore, it is extremely important that the electrical power and the wiring is adequate. Consult your dealer or power company if in doubt.

**CIRCUIT PROTECTION** - Before installing or relocating your Friedrich Room Air Conditioner, check the amp rating of the circuit breaker or "TIME-DELAY" fuse. Refer to the nameplate located on the air conditioner chassis to determine the correct fuse or circuit breaker amperage for your model. The rating **MUST NOT** exceed the value stated on the nameplate. If the air conditioner is connected to a circuit protected by a fuse, a "TIME-DELAY" fuse must be used due to the momentary high current demands when your air conditioner is started.

Figure 5





### Never use an extension cord

Your Friedrich room air conditioner is equipped with a three-prong (grounded) plug for your protection against shock hazards and should be plugged directly into a properly grounded three-prong receptacle. If you have a two-prong receptacle you will need to have the circuit replaced by a certified electrician with a grounded circuit that meets all national and local codes and ordinances. Under no circumstances should you remove the ground prong from the plug. You must use the three-prong plug furnished with the air conditioner.

**NEVER CUT OR REMOVE THE GROUNDING PRONG FROM THE PLUG.**

### Power cord information

All Friedrich room air conditioners are shipped from the factory with a Leakage Current Detection Interrupter (LCDI) equipped power cord. The LCDI device meets the UL and NEC requirements for cord connected air conditioners effective August 2004.

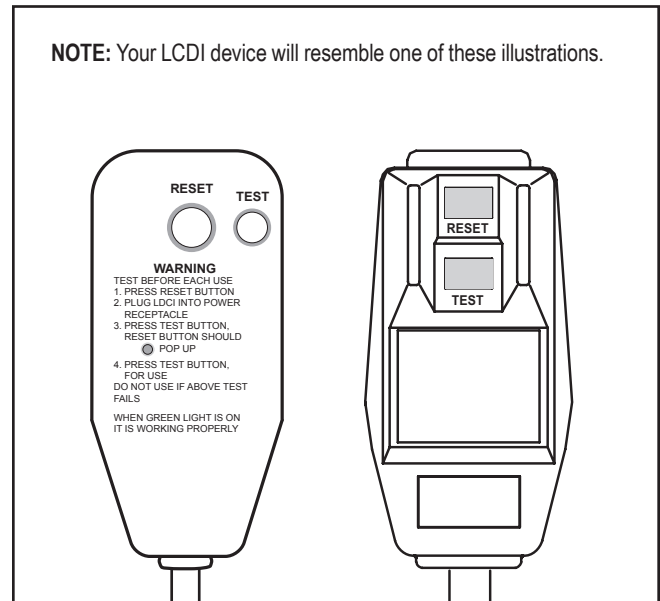
#### To test your power supply cord:

1. Plug power supply cord into a grounded 3 prong outlet.
2. Press **RESET** (See Figure 6).
3. Press **TEST** (listen for click; Reset button trips and pops out).
4. Press and release **RESET** (listen for click; Reset button latches and remains in). The power supply cord is ready for operation.

NOTE: LCDI device is not intended to be used as a switch.

Once plugged in the unit will operate normally without the need to reset the LCDI device.

If the device fails to trip when tested or if the power supply cord is damaged it must be replaced with a new supply cord from the manufacturer. We recommend you contact our Technical Assistance Line at (800) 541-6645 ext. 662. To expedite service, please have your model and serial number available.



**Figure 6**



## Troubleshooting tips and home maintenance

### Won't cool

If the unit operates, but won't cool, determine if the controls are properly set. Wait three minutes before setting the thermostat to a cooler position in order to check control settings. Check the filter and clean it thoroughly, if needed. Check to see if the vent door is closed. Check to see if the chassis seal gasket is properly installed (refer to page 14 for seal gasket installation).

### Won't heat (for heat/cool models only)

If the unit operates, but won't heat, determine if the control settings are correct. Adjust the thermostat to a warmer position to determine if it operates. Also, check the filter and clean it thoroughly, if needed.

### Odors in heating (for heat/cool models only)

You may notice a smoke odor the first time the heater element comes on. This is common in any type of heat system when first turned on for the winter. The odor comes from dust and other particles that accumulate during the warm months. The odor will dissipate quickly.

### Won't run

If the unit fails to operate, check to see if the power cord is firmly plugged in. Check for blown fuses, tripped circuit breakers or a tripped LCDI Device (Refer to LCDI reset instructions in the **Power cord information** section). Restore the circuit breaker or replace the blown fuse with a proper size "TIME-DELAY" fuse. The proper fuse size is shown on pages 4 and 7 in these instructions. After restoring the current supply to the unit, wait three minutes before restarting.

### Frosting of the indoor coil

Certain operating conditions may produce indoor coil frost. During the cooling operation, a dirty filter or restricted air distribution in combination with cool, damp weather could cause such an occurrence. Should the indoor coil frost over while cooling, set the control to FAN and keep it running until the frost on the coil is gone. Setting the thermostat to a slightly warmer position will probably keep the coil from frosting over again.

### Cleaning the decorative front

The decorative front of your Friedrich room air conditioner, as well as the complete cabinet, may be cleaned with warm water and mild detergent. Under adverse operating conditions, the indoor and outdoor coils and base pan may require periodic cleaning to maintain efficient operation. Your Friedrich dealer should be called when this service is required.

## ⚠ WARNING



### Electrical Shock Hazard

**Disconnect power before servicing.**

**Replace all parts and panels before operating.**

**Failure to do so can result in death or electrical shock.**

### Things to know about a WallMaster heat pump

During the heat pump operation, you may notice some functions that did not occur when the unit was used for cooling:

1. It is common for ice to form on the outdoor coil of your WallMaster Heat Pump. The ice forms due to moisture in the outdoor air passing over cold (below freezing) coil surfaces.
2. When the outdoor coil forms ice, your heat pump will automatically initiate a defrost. The compressor will stop and the fan will continue to run. The electric heat will be turned on to continue warming the room while the outdoor air defrosts the outdoor coil. After the defrost is completed, the unit will automatically return to the heat pump mode.
3. It is normal for vapor (steam) to rise from the outdoor coil during the defrost. This is similar to expelling warm breath on a cold morning.
4. If the outdoor temperature drops below 43°F during heat pump operation, your WallMaster Heat Pump will automatically switch to electric resistance heat and will continue to operate in this mode as long as the outdoor temperature remains at 43°F or below.

# Installation instructions for WSC sleeve



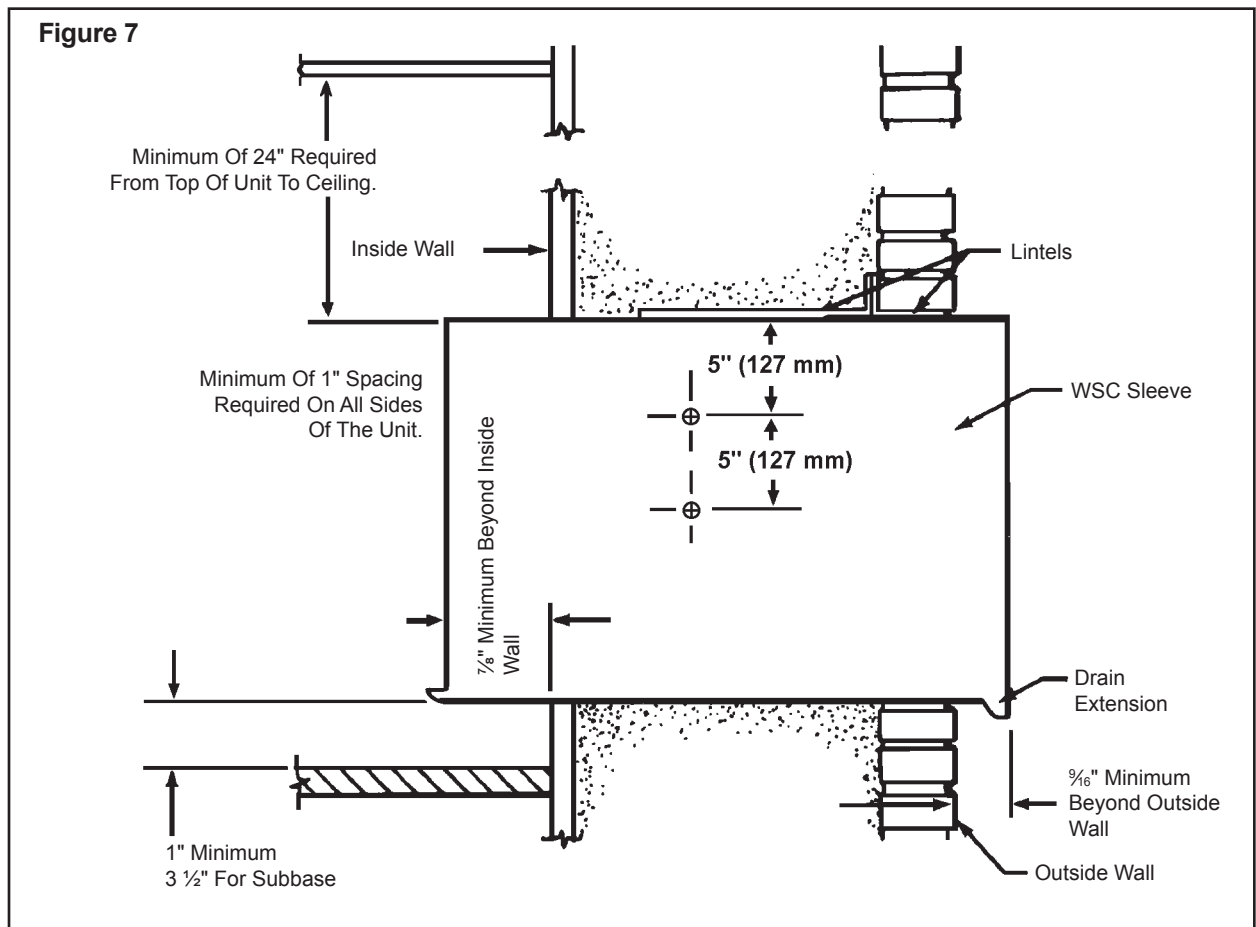
## Mounting hardware provided

ITEM NO.	DESCRIPTION	QTY.
1	SCREW, #12A x 2"	7

## Wall preparation

- STEP 1** The wall opening required for a WSC SLEEVE is 17 1/4" high by 27 1/4" wide.
- STEP 2** LINTELS must be used in opening of brick veneer and masonry walls to support the material above the WSC SLEEVE. The following considerations should also be given:

- A. Adjustable SUBBASE (SB) or other unit support must be provided for panel wall type construction and for walls less than 8" thick.
- B. A minimum distance of 1" must be allowed on all sides of the unit to adjacent wall and floor. Where the subbase is required, the minimum distance from the floor to the sleeve must be 3 1/2". To minimize chances of short cycling of the compressor, the minimum clearance between the ceiling and the top of the unit should be 24". (See Figure 7).



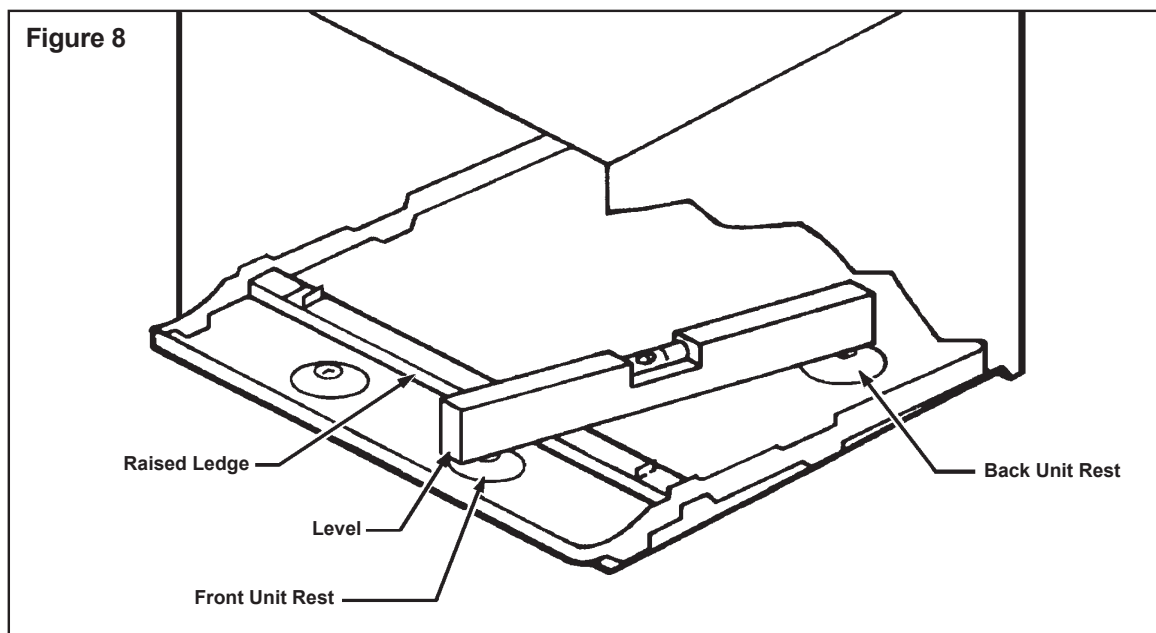
## Installation requirements

- STEP 1** The WSC SLEEVE should be positioned so that the DRAIN EXTENSION extends a minimum of  $\frac{3}{8}$ " beyond the OUTSIDE WALL (See Figure 7).
- STEP 2** The WSC SLEEVE must extend a minimum of  $\frac{7}{8}$ " beyond the INSIDE WALL.
- STEP 3** The WSC SLEEVE must be installed level side to side.

- STEP 4** The WSC SLEEVE must also be installed with a downward tilt toward the outside of the building. If a level is placed so that it rests on the FRONT and BACK UNIT REST as shown in Figure 8, a properly installed unit provides a  $\frac{1}{2}$  bubble slope to the outside of the building.

CAUTION: SLEEVE projections and leveling precautions must be observed to prevent the entry of water into the room.

**NOTICE** SLEEVE projections and leveling precautions must be observed to prevent the entry of water into the room.



## Sleeve installation

- STEP 1** After unpacking the WSC SLEEVE from the carton, remove the corrugated FRONT PANEL. Place the WSC SLEEVE in the wall opening following the instructions given in the INSTALLATION REQUIREMENTS. Attach the SLEEVE to the INSIDE WALL by driving two #12A x 2" screws in each side of the SLEEVE (see Figure 7). Shim at the top of the SLEEVE, midway between the sides. Drive one #12A x 2" screw in the top of the sleeve, close to the shim. Install screws from inside the SLEEVE. If the wall opening is not framed with wood, use expansion anchor bolts or molly (toggle) bolts (not provided).

Please note that there will be an excess of two #12Ax2" screws that will not be used.

- STEP 2** Once the SLEEVE has been installed, check the LEVEL again to be sure the  $\frac{1}{2}$  bubble downward tilt is maintained. Apply shims, if required, to maintain the proper slope.
- STEP 3** Caulk the perimeter of the entire opening on the inside and the outside between the SLEEVE and the WALL.
- STEP 4** The corrugated front panel removed in Step 1 above must be remounted back in place if masonry work is to be done and/or if the "WallMaster" CHASSIS is to be installed at a later date.

## WallMaster chassis installation instructions for WS, WE and WY models (WSC-A sleeve)

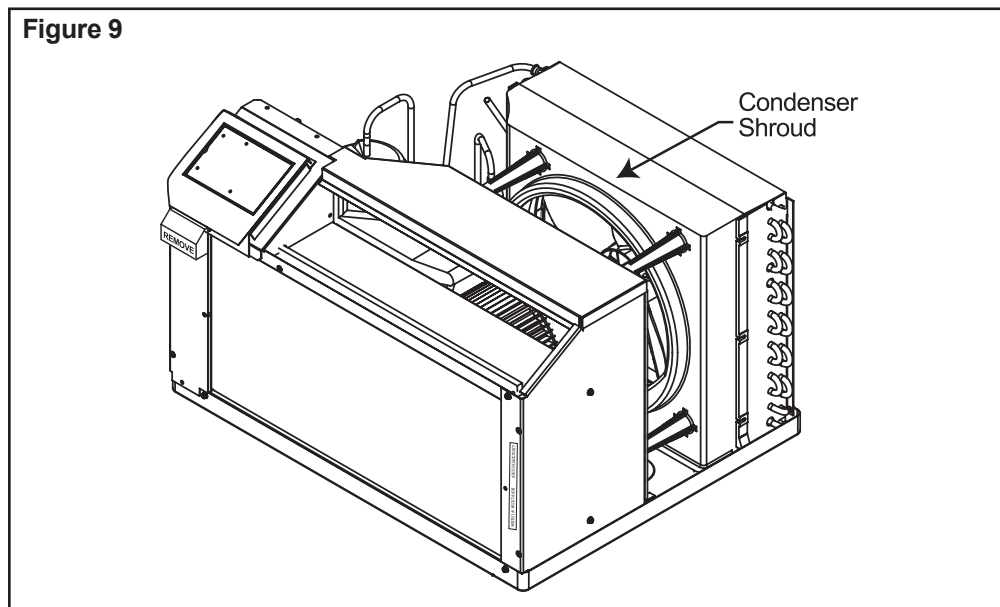
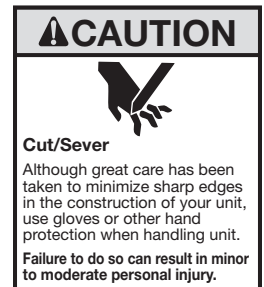
These instructions are provided for installation of WallMaster air conditioner chassis models into thru-the-wall sleeves. This chassis has been UL approved with the sleeve listed on the serial nameplate of this chassis. Important warranty information is provided on pages 17 and 18. Keep these instructions in a convenient location for any warranty service that may be required.

- STEP 1** Check the sleeve to be certain it has been correctly installed in the wall. Remove the corrugated front panel on the WSC SLEEVE. Remove the rear WEATHER PANEL. Reverse grille. Place lower edge into sleeve tab (Friedrich logo facing out). Align slots with screw holes. Secure grille with screws.
- Check the anchor screws. There should be four (4) in the WSC SLEEVE (two in each side).
  - Determine if the sleeve has a downward slope, to the outside, of  $\frac{1}{2}$  bubble on a level. See page 10 for further details.
  - Check to be sure the sleeve has been sealed around all edges with an industrial type caulking on both the outside and inside to prevent rain entry.
  - A sleeve sealing gasket has been provided in the chassis shipping carton. Remove it from the carton, peel the protective coating from the adhesive, and install it in the sleeve (adhesive down).

**STEP 2** Check the electrical receptacle to see that it conforms to the requirements for the chassis model to be installed. See pages 2 and 5, for the receptacle requirements.

**STEP 3** The decorative front is packaged in a separate box inside the chassis shipping carton, between the chassis and the carton. Remove this box and set the box aside until later.

**STEP 4** With the help of an assistant, remove the chassis from the shipping carton. Be careful not to allow anything to impact against the hairpins as this may result in damage to them. With the help of an assistant, lift the chassis by the basepan and slide it into the sleeve until it contacts the rear grille. With the chassis in proper position, the front edge of the basepan must extend out  $4\frac{3}{4}$  inches from the front (side) edge of sleeve.

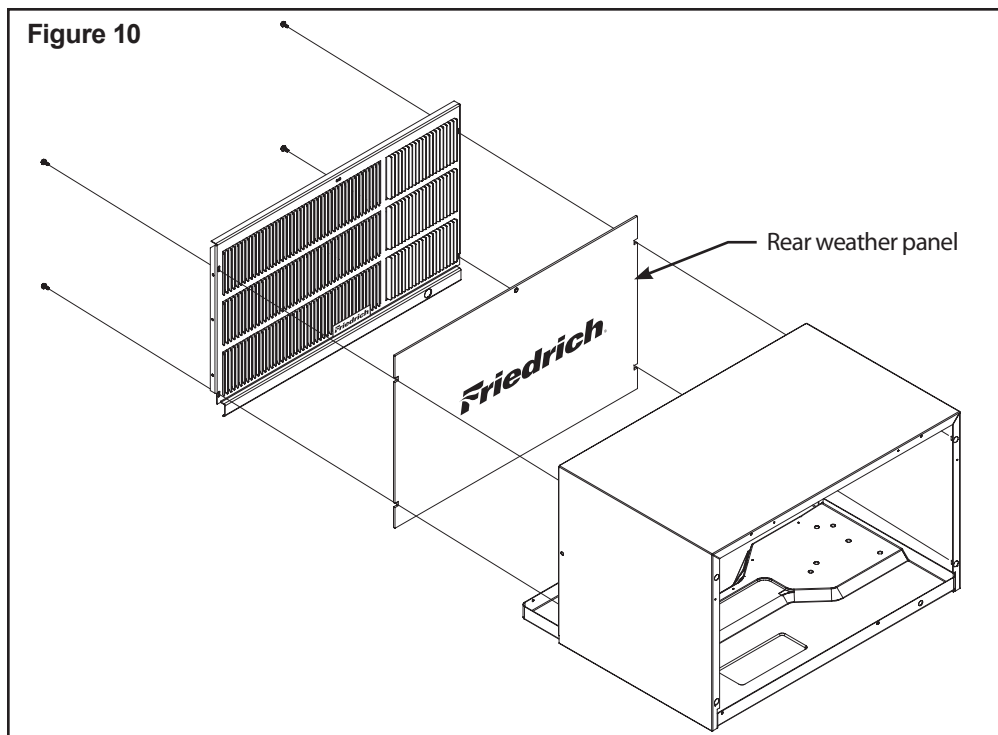
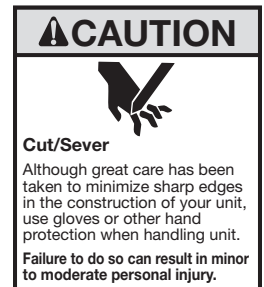
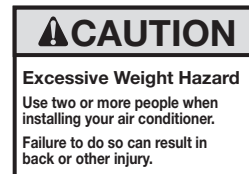


## WallMaster chassis installation instructions for WS, WE and WY models (WSC-B sleeve)

These instructions are provided for installation of WallMaster air conditioner chassis models into thru-the-wall sleeves. This chassis has been UL approved with the sleeve listed on the serial nameplate of this chassis. Important warranty information is provided on pages 17 and 18. Keep these instructions in a convenient location for any warranty service that may be required.

- STEP 1** Check the sleeve to be certain it has been correctly installed in the wall. Remove the corrugated front panel on the WSC SLEEVE. Remove the rear WEATHER PANEL. Place lower edge into sleeve tab (Friedrich logo facing out). Align slots with screw holes. Secure grille with screws.
- Check the anchor screws. There should be four (4) in the WSC SLEEVE (two in each side).
  - Determine if the sleeve has a downward slope, to the outside, of  $\frac{1}{2}$  bubble on a level. See page 10 for further details.
  - Check to be sure the sleeve has been sealed around all edges with an industrial type caulking on both the outside and inside to prevent rain entry.
  - A sleeve sealing gasket has been provided in the chassis shipping carton. Remove it from the carton, peel the protective coating from the adhesive, and install it in the sleeve (adhesive down).

- STEP 2** Check the electrical receptacle to see that it conforms to the requirements for the chassis model to be installed. See pages 2 and 5, for the receptacle requirements.
- STEP 3** The decorative front is packaged in a separate box inside the chassis shipping carton, between the chassis and the carton. Remove this box and set the box aside until later.
- STEP 4** With the help of an assistant, remove the chassis from the shipping carton. Be careful not to allow anything to impact against the hairpins as this may result in damage to them. With the help of an assistant, lift the chassis by the basepan and slide it into the sleeve until it contacts the rear grille. With the chassis in proper position, the front edge of the basepan must extend out  $4\frac{3}{4}$  inches from the front (side) edge of sleeve.



**STEP 5 CHASSIS SEAL GASKET INSTALLATION:** After installing the shell, slide the chassis into the shell stopping approximately 3" from full insertion. Stuff the chassis seal gasket one inch deep between the chassis and the shell (see Figure 11). Make sure the gasket is installed beginning from the lower right side corner and extending over the top and down to the lower left side corner. Then push the chassis all the way into the shell for the remaining distance so that the plastic front meets the front edge of the shell.

If chassis seal gasket is not installed, the operation of the unit will be negatively affected. Also, the operation noise and outside noise will be amplified.

**STEP 6** Remove the intake grille from the decorative front frame by grasping it at the upper right and left side corners. Pull out until the grille is released from the upper retaining snaps. Tilt it down toward you, lift up and out of the bottom retaining snaps. Install the decorative front frame in place over the sleeve opening and attach it to the chassis with four sheet metal screws as shown in Figure 11. Replace the intake grille by positioning the bottom of the grille into the bottom retaining snaps. Tilt the front up and away from you. Press in lightly on top, and the grille will position itself into upper retaining snaps.

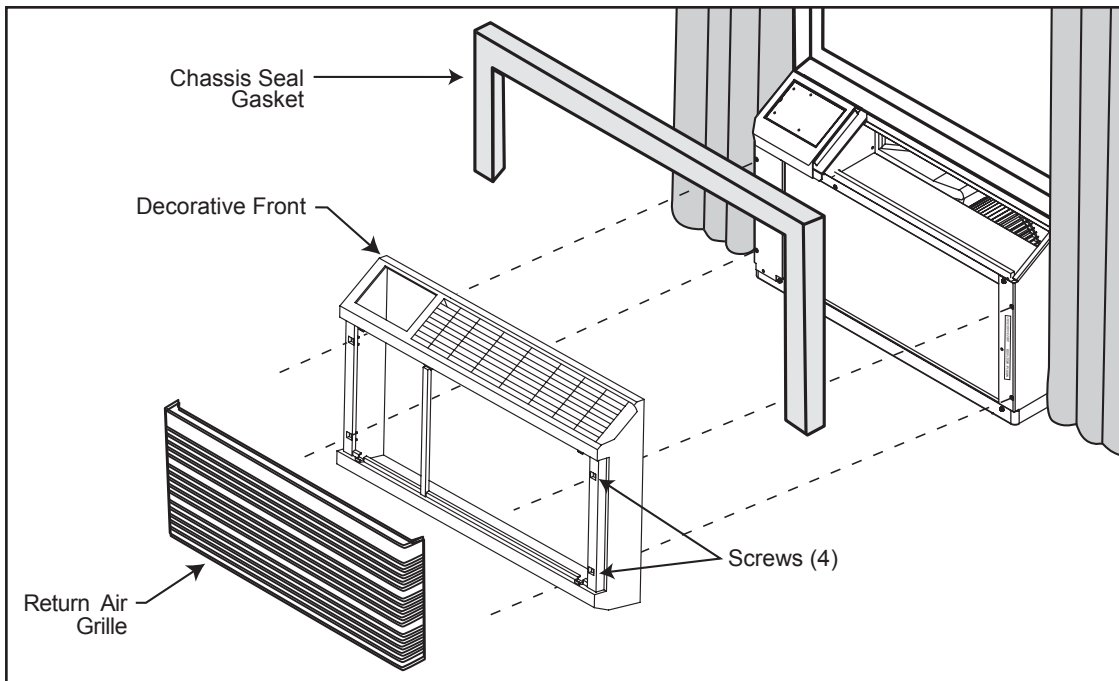


Figure 11

Attach the frame to the chassis by installing four (4) 8A- $\frac{5}{8}$ " screws through the slots in the frame and into the holes in the chassis.

**CAUTION**

**Excessive Weight Hazard**  
Use two or more people when installing your air conditioner. Failure to do so can result in back or other injury.

**WARNING**



**Moving Object Hazard**  
Replace all panels before operating your air conditioner. Failure to do so can result in injury.

## Condensate removal (WS, WE and WY models)

If you desire to drain condensate from the basepan during unit operation, this unit is provided with a drain nipple that can be attached to the basepan. You must provide a 3/8" outside diameter thin-wall plastic or copper tube which will attach to the drain nipple. Follow the instructions below:

**STEP 1** Find the drain plate on the rear of the basepan and remove it. (See Figure 12).

**STEP 2** Remove the knockout in the lower right side of the rear grille. Slide the chassis into the WSC SLEEVE so that the drain nipple extends through the knockout.

**STEP 3** Slide the tubing inside the drain nipple.

If the chassis must be removed from the sleeve for service, remove the clamped drain hose before sliding the chassis out of the sleeve.

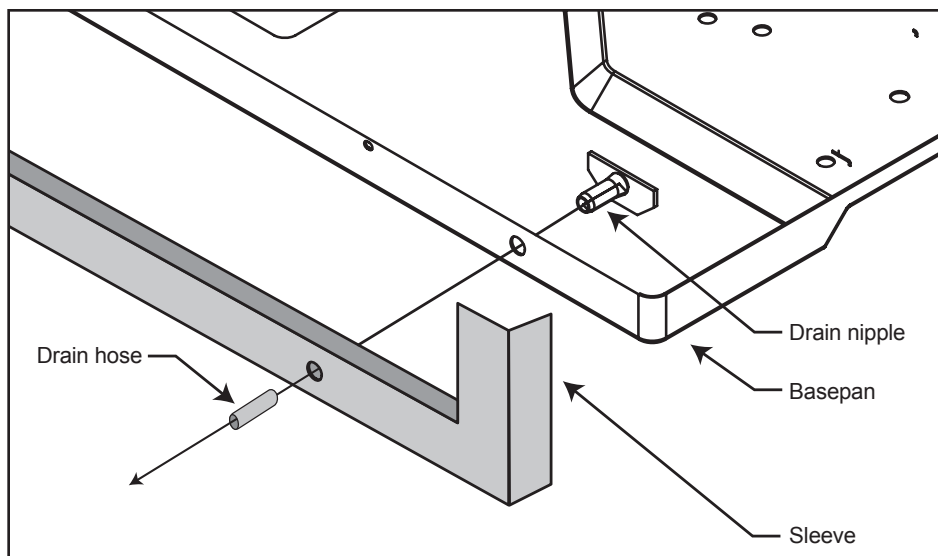


Figure 12

## Alternate drain kits

### DK (Drain Kit)

In the event that the outdoor temperature drops below 37°F, any water that remains in the chassis basepan is drained into the sleeve pan on WE and WY models to prevent freezing. (NOTE: In the cooling mode of the WS, WE and WY models, condensate overflow is possible in very humid climates). For these particular instances, an optional drain kit (Accessory #DK) is available for water removal.

### IDK (Interior Drain Kit)

New construction allowing for condensate drain systems built within the walls can use the Friedrich Interior Drain Kit (Accessory #IDK) designed for installation in the bottom of the sleeve below the condensate bellows valve (heat/cool models only).



Friedrich Air Conditioning Company

P.O. Box 1540

San Antonio, TX 78295

210.357.4400

www.friedrich.com

## WALLMASTER<sup>®</sup> THRU-THE-WALL AIR CONDITIONERS LIMITED WARRANTY

### FIRST YEAR

**ANY PART:** If any part supplied by FRIEDRICH fails because of a defect in workmanship or material within twelve months from date of original purchase, FRIEDRICH will repair the product at no charge, provided room air conditioner is reasonably accessible for service. Any additional labor cost for removing inaccessible units and/or charges for mileage related to travel by a Service Agency that exceeds 25 miles one way will be the responsibility of the owner. This remedy is expressly agreed to be the exclusive remedy within twelve months from the date of the original purchase.

### SECOND THROUGH FIFTH YEAR

**SEALED REFRIGERANT SYSTEM:** If the Sealed Refrigeration System (defined for this purpose as the compressor, condenser coil, evaporator coil, reversing valve, check valve, capillary, filter drier, and all interconnecting tubing) supplied by FRIEDRICH in your Room Air Conditioner fails because of a defect in workmanship or material within sixty months from date of purchase, FRIEDRICH will pay a labor allowance and parts necessary to repair the Sealed Refrigeration System; **PROVIDED** FRIEDRICH will not pay the cost of diagnosis of the problem, removal, freight charges, and transportation of the air conditioner to and from the Service Agency, and the reinstallation charges associated with repair of the Sealed Refrigeration System. All such cost will be the sole responsibility of the owner. This remedy is expressly agreed to be the exclusive remedy within sixty months from the date of the original purchase.

**APPLICABILITY AND LIMITATIONS:** This warranty is applicable only to units retained within the Fifty States of the U.S.A., District of Columbia, and Canada. This warranty is not applicable to:

1. Air filters or fuses.
2. Products on which the model and serial numbers have been removed.
3. Products which have defects or damage which results from improper installation, wiring, electrical current characteristics, or maintenance; or caused by accident, misuse or abuse, fire, flood, alterations and/or misapplication of the product and/or units installed in a corrosive atmosphere, default or delay in performance caused by war, government restrictions or restraints, strikes, material shortages beyond the control of FRIEDRICH, or acts of God.

**OBTAINING WARRANTY PERFORMANCE:** Service will be provided by the **FRIEDRICH Authorized Dealer or Service Organization** in your area. They are listed in the Yellow Pages. If assistance is required in obtaining warranty performance, write to: Room Air Conditioner Service Manager, Friedrich Air Conditioning Co., P.O. Box 1540, San Antonio, TX 78295-1540.

**LIMITATIONS:** THIS WARRANTY IS GIVEN IN LIEU OF ALL OTHER WARRANTIES. Anything in the warranty notwithstanding, ANY IMPLIED WARRANTIES OF FITNESS FOR PARTICULAR PURPOSE AND/OR MERCHANTABILITY SHALL BE LIMITED TO THE DURATION OF THIS EXPRESS WARRANTY. MANUFACTURER EXPRESSLY DISCLAIMS AND EXCLUDES ANY LIABILITY FOR CONSEQUENTIAL OR INCIDENTAL DAMAGE FOR BREACH OF ANY EXPRESSED OR IMPLIED WARRANTY.

**NOTE:** Some states do not allow limitations on how long an implied warranty lasts, or do not allow the limitation or exclusion of consequential or incidental damages, so the foregoing exclusions and limitations may not apply to you.

**OTHER:** This warranty gives you specific legal rights, and you may also have other rights which vary from state to state.

**PROOF OF PURCHASE:** Owner must provide proof of purchase in order to receive any warranty related services.

All service calls for explaining the operation of this product will be the sole responsibility of the consumer.

All warranty service must be provided by an **Authorized FRIEDRICH Service Agency**, unless authorized by FRIEDRICH prior to repairs being made.



Friedrich wants you to remain pleased with your Room Air Conditioner. Should further assistance be needed concerning this warranty, contact:

RAC Warranty, Service and Parts  
Friedrich Air Conditioning Co.  
P.O. Box 1540  
San Antonio, TX 78295-1540

**Your personal warranty registration record**

**WARRANTY REGISTRATION:** Please complete and return your **Warranty Registration Card** (not this form) immediately and mail to FRIEDRICH. While it is not required that you do so in order to obtain warranty performance, it registers your warranty, making it easier and faster to verify the period of your warranty coverage and to contact you, should field service and/or product recall ever become necessary.

Or register on line at [www.friedrich.com](http://www.friedrich.com) (U.S.A. Only).

**FOR YOUR RECORDS:** FILL IN THE FOLLOWING INFORMATION WHEN UNIT IS INSTALLED, SO IT WILL BE READILY AVAILABLE IF NEEDED LATER.

**Model No.** \_\_\_\_\_ **Serial No.** \_\_\_\_\_ **Date Installed** \_\_\_\_\_

**Bought from:** \_\_\_\_\_

\_\_\_\_\_  
(Dealer name)

\_\_\_\_\_  
(Person to contact)

\_\_\_\_\_  
(Dealer Address)

\_\_\_\_\_  
(Phone)

**ALWAYS USE FRIEDRICH FACTORY AUTHORIZED PARTS.  
USE OF NON-FRIEDRICH PARTS COULD VOID YOUR WARRANTY**

## Thru-the-wall

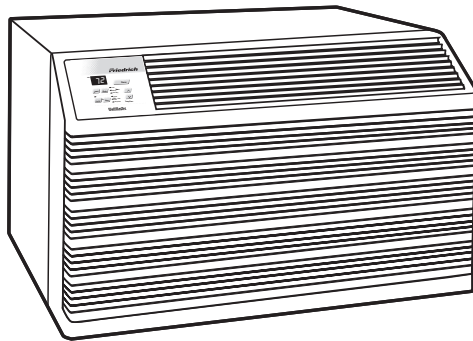
### Unidades de aire acondicionado y bombas de calor

---

#### WallMaster®

115-Volt: WS08, WS10, WS14

230-Volt: WS10, WS13, WS16, WE10, WE13, WE16, WY10, WY13




# Índice de contenido


Su seguridad y la seguridad de los demás .....	19
<b>Introducción</b>	
Consejos de ahorro de energía .....	20
Datos eléctricos.....	20
<b>Operación</b>	
Cómo utilizar el acondicionador de aire para habitaciones Friedrich .....	21
Para poner en marcha la unidad .....	21
Para configurar el modo de funcionamiento .....	21
Para ajustar la temperatura .....	21
Para ajustar la velocidad del ventilador.....	21
Para activar el ventilador inteligente.....	21
Para configurar el reloj horario .....	21
Para configurar el temporizador .....	21
Protección automática de componentes.....	21
Para activar MoneySaver.....	22
Uso del mando a distancia.....	22
Cómo limpiar el filtro del aire .....	22
Cómo cambiar la dirección del flujo de aire .....	23
Cómo cubrir los orificios del panel protector interno.....	24
Requisitos eléctricos.....	24
Nunca utilice un cable de extensión.....	25
Información sobre el cable de alimentación.....	25
Consejos para la solución de problemas y mantenimiento doméstico .....	26
<b>Instrucciones de instalación para la carcasa WSC</b>	
Equipo de montaje .....	27
Preparación de la pared.....	27
Requisitos de instalación .....	28
Instalación de la carcasa .....	28
<b>Instrucciones de instalación del chasis WallMaster</b>	
Instalación de los modelos WS, WE y WY (carcasa WSC-A).....	29
Instalación de los modelos WS, WE y WY (carcasa WSC-B).....	30
Eliminación de condensados .....	32
Kits de drenaje alternativos.....	32
Garantía .....	33
Ficha de registro de la garantía .....	34

**Su seguridad y la seguridad de los demás son muy importantes.**

Proporcionamos muchos mensajes de seguridad importantes en este manual y en su aparato. Siempre lea y obedezca todos los mensajes de seguridad.




Éste es un símbolo de alerta de seguridad.  
Este símbolo lo alerta de posibles riesgos que pueden causarle la muerte o lesionarlo a usted o a otras personas.  
Todos los mensajes de seguridad contarán con el símbolo de alerta de seguridad con la palabra "ADVERTENCIA" O "PRECAUCIÓN". Estas palabras quieren decir:



**ADVERTENCIA**

Puede ocasionarse la muerte o lesiones graves si no sigue las instrucciones.



**PRECAUCIÓN**

Puede provocarse lesiones leves a moderadas si no sigue las instrucciones.

Todos los mensajes de seguridad le indicarán cuál es el posible riesgo, le indicarán cómo reducir la probabilidad de lesionarse y lo que ocurrirá si no sigue las instrucciones.

**AVISO**

Los mensajes para alertarlo sobre posibles daños potenciales a la propiedad tendrán la palabra "AVISO". Pueden ocurrir daños a la propiedad si no sigue las instrucciones.

# BIENVENIDO: a muchos años de comodidad y economía




Su nueva unidad de aire acondicionado para habitación Friedrich ha sido diseñada y fabricada cuidadosamente para darle muchos años de operación eficiente, confiable y económica, manteniendo su habitación en niveles cómodos de temperatura y humedad. Se han puesto muchas características adicionales en su aire unidad de acondicionado para habitación Friedrich con el fin de garantizarle un funcionamiento silencioso, una mayor circulación de aire frío y seco, una selección más flexible de controles de funciones y una mayor economía en toda la operación.

Hay muchas cosas que usted puede hacer en su casa y alrededor de ella para contribuir a economizarle dinero y aun a incrementar la eficiencia y durabilidad de su unidad Friedrich. A continuación detallamos algunos ejemplos:

1. Cómo graduar el termostato: Cuando usted encienda inicialmente su aire acondicionado, seleccione la máxima velocidad del ventilador y gradúe el termostato en la posición máxima para enfriar la habitación. Cuando se haya obtenido la temperatura deseada, cambie el termostato a "warmer" (más caliente) hasta que el compresor se apague. El termostato hará que el compresor se prenda y apague, según sea necesario para mantener esa temperatura. Usted puede graduar la velocidad del ventilador para la mejor circulación de aire.
2. No obstaculice el flujo de aire hacia y desde la unidad asegúrese de que las rejillas de ventilación están dirigidas para dar una distribución adecuada de aire a toda la habitación. Advertencia: Si se obstruye el aire hacia la unidad y éste regresa a ella, puede ocasionar que la unidad se prenda y apague con excesiva rapidez, lo cual puede causarle daño.
3. En la mayoría de las áreas del país, un aislamiento adecuado, en las paredes, cielo rasos y debajo de los pisos, puede economizarle hasta un 50% del costo de enfriamiento.
4. Enmasillado: Los hogares bien aislados y el no tener corrientes de aire alrededor de puertas, ventanas, conexiones eléctricas y de tuberías, pueden significar un 30% de economía en el costo de sus sistemas de enfriamiento y calefacción. Asegúrese de que todas estas áreas estén bien enmasillados.
5. Instale cinta aislante para el clima (preferiblemente metálica) alrededor de sus puertas y ventanas exteriores.
6. ¿Tiene una chimenea? Asegúrese de que la compuerta esté cerrada mientras el aire acondicionado esté funcionando.
7. Elija colores claros cuando tenga que cambiarle el techo o pintar su casa. Ellos refractan el calor en vez de absorberlo.
8. Procure crear sombra para sus paredes exteriores (especialmente las del occidente) para evitar el sol directo; aún más importante, mantenga su unidad en la sombra. Los árboles y los arbustos proporcionan sombra natural, pero asegúrese de que estos no bloqueen el aire alrededor de la unidad. También evite áreas en donde haya mucho polvo o polen, los cuales serían atraídos a la unidad. Si no tiene sombra natural, un toldo de lona o una marquesina son la mejor solución para dar sombra a la unidad y las ventanas.
9. Dentro de la casa, use persianas, biombos o cortinas con las ventanas que estén expuestas al sol. Esto disminuirá sus necesidades de enfriamiento. (Las cortinas forradas o con aislamiento también ayudan a disminuir el costo de calentamiento de la vivienda en invierno).
10. Asegúrese de que su ático este ventilado adecuadamente. Además, considere instalar una turbina o un ventilador para ayudar a sacar el aire caliente.
11. Mantenga su unidad de aire acondicionado Friedrich limpia. Use una aspiradora para las partes accesibles pero tenga cuidado de no dañarlas. Limpie el filtro permanente al menos dos veces al mes.
12. Gradúe el termostato en temperaturas más altas (menos frías). Puede economizar un 5% de uso de energía por cada grado en que usted lo tenga por encima de 72 grados Fahrenheit (22°C).

Estas son nuestras sugerencias más importantes para economizar sus gastos de aire acondicionado. Algunos de ellos quizás no sean aplicables en su casa o en su área. Consulte con su compañía de servicios para información más especializada para su caso.

## Datos eléctricos

Número de modelo	Tipo de enchufe	Circuitos Interruptor o Fusible de acción retardada
WS08, WS10, WS14	 NEMA No. 5-15P	125V-15 AMP
WS10, WS13, WS16	 NEMA No. 6-15P	250V-15 AMP
WE10, WE13, WE16, WY10, WY13	 NEMA No. 6-20P	250V-20 AMP

### ⚠ ADVERTENCIA

#### Peligro de choque eléctrico

Asegúrese de que su receptáculo eléctrico cuente con la misma configuración que el enchufe de su aire acondicionado. Si es diferente, consulte con un electricista certificado.

No use adaptadores para el enchufe.  
No utilice cables de extensión.  
No retire el contacto a tierra.



Siempre conéctelo a un tomacorriente trifásico con contacto a tierra.

No seguir estas instrucciones puede ocasionar la muerte, un incendio o un choque eléctrico.

# Cómo utilizar el acondicionador de aire para habitaciones Friedrich

## Para poner en marcha la unidad

Si el acondicionador de aire está instalado y conectado a un enchufe adecuado, ya está listo para funcionar. La primera vez que arranque la unidad, el compresor sufrirá un retardo de tres minutos. Consulte Protección automática de componentes en la siguiente página.

- ① Pulse el botón Power una vez. La unidad estará en modo de frío (Cool) automáticamente, con una temperatura de 75 °F (24 °C) y la velocidad del ventilador en F1, la configuración nocturna.

## Para configurar el modo de funcionamiento

La primera vez que encienda la unidad, estará en modo de frío (Cool) con el ventilador a velocidad constante.

- ② En los modelos de sólo frío WS, pulse el botón Mode una vez para activar MoneySaver®. (Sólo en modelos WS. Consulte el punto 14 si desea ver las instrucciones para el uso de la función MoneySaver en los modelos WY/WE.)

MoneySaver® acciona el ventilador con el compresor de forma cíclica para que aquél no esté siempre en marcha. Eso ahorra energía y mejora la deshumidificación. MoneySaver® también se pone en marcha para comprobar la temperatura si el ciclo de reposo es demasiado largo. O quizás prefiera que el ventilador funcione a velocidad constante para que el aire se mueva más. (Para ello, pulse el botón Mode otras dos veces.)

## Para que funcione sólo el ventilador, haga lo siguiente:

En los modelos de calor-frío WY/WS, pulse el botón Mode una vez para activar la función Fan Only. Esta opción hará circular el aire por la habitación sin accionar el compresor.

- ③ Si está en modo MoneySaver®, pulse el botón Mode una vez para activar la función Fan Only (en modelos de sólo frío WS).

## Para ajustar la temperatura

- ④ Use el botón Mode para elegir entre las modalidades de frío o ahorro de energía (o calor): seleccione Cool o MoneySaver® (o Heat en modelos de calor-frío WY/WE), respectivamente.
- ⑤ MÁS FRÍO (Cooler): Pulse el botón ✓ para bajar la temperatura del aire en la habitación.
- ⑥ MÁS CALOR (Warmer): Pulse el botón ▲ para subir la temperatura del aire en la habitación.
- ⑦ Pulse ambos botones ▲ y ✓ al mismo tiempo para cambiar la temperatura de Fahrenheit (°F) a Celsius (°C). Repita este paso para cambiar de °C a °F otra vez.

## Para ajustar la velocidad del ventilador

- ⑧ Pulse el botón Fan Speed para ver la opción actual. Vuelva a pulsarlo para cambiar la velocidad. F1 es la opción más baja (C. NOCTURNA/BAJA), F2 es MEDIA y F3 es ALTA.

## Para activar el ventilador inteligente (en modelos sólo frío WS)

- ⑨ Existe una cuarta opción, SF, al seleccionar la velocidad del ventilador. Es la función VENTILADOR INTELIGENTE. ÉSTA NO FUNCIONA CON EL MODO SÓLO VENTILADOR.

## Para activar el ventilador inteligente (en modelos calor-frío WY/WE)

- ⑨ Pulse el botón Smart Fan para activar el ventilador inteligente. La luz indicará que esta función está en uso.

El ventilador inteligente ajustará la velocidad del ventilador de forma automática para mantener el nivel de confort deseado. Por ejemplo, si las puertas de la vivienda que dan al exterior permanecen abiertas durante un periodo de tiempo prolongado o más personas entran en una habitación, la función de ventilador inteligente puede elevar la velocidad del ventilador para compensar el aumento de calor. Esto le evita tener que ajustarla manualmente.

## Para configurar el reloj horario

- ⑩ Pulse el botón Set Hour para ver la configuración actual. El número que aparece es la hora aproximada (sólo la hora). Use los botones ▲ y ✓ para cambiar la configuración. ASEGÚRESE DE CONFIGURAR A.M. Y P.M. SEGÚN CORRESPONDA. (P.M. se indica mediante una luz roja en la esquina superior izquierda de la pantalla.)

## Para configurar el temporizador

NOTA: Configure el RELOJ HORARIO (Set Hour) antes de tratar de configurar las funciones del temporizador.

Puede configurar las horas de arranque (Start Time) y parada (Stop Time) con una separación de 1 hora como mínimo y 23 horas como máximo.

- ⑪ Tras configurar la hora, pulse el botón Set Hour una vez (luz de arranque encendida). Use los botones ▲ y ✓ para seleccionar la hora de ARRANQUE de la unidad.
- ⑫ Tras seleccionar la opción Start Time, pulse el botón Set Hour una vez (luz de parada encendida). Use los botones ▲ y ✓ para seleccionar la hora de PARADA de la unidad. Tras ello, pulse el botón Set Hour una vez.
- ⑬ Pulse el botón Timer On/Off (se encenderá la luz) para activar la función de temporizador. Para desactivarla, pulse otra vez el botón Timer On/Off (se apagará la luz). Una vez seleccionadas las horas de encendido/apagado, permanecerán en la memoria y se activarán de forma cíclica a diario hasta que se cambien.

NOTA: Si se desenchufa la unidad o se produce un corte de corriente, deberá restablecerse la HORA o Timer On/Off no funcionará bien.

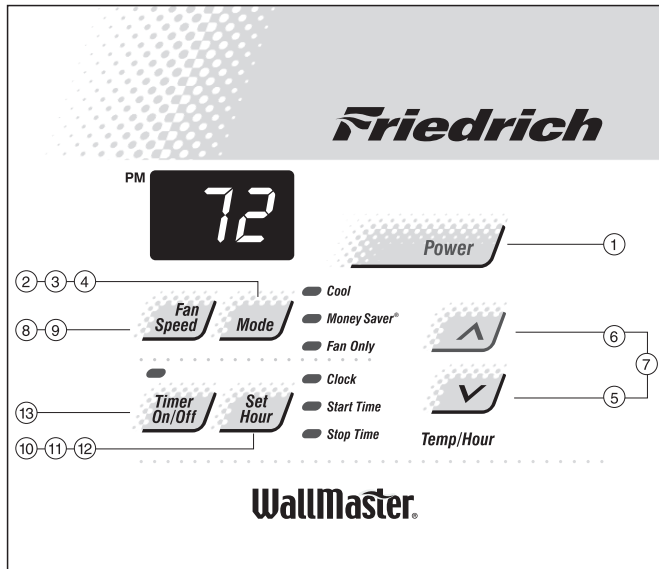


Figura 1: Panel de control del modelo sólo frío WS

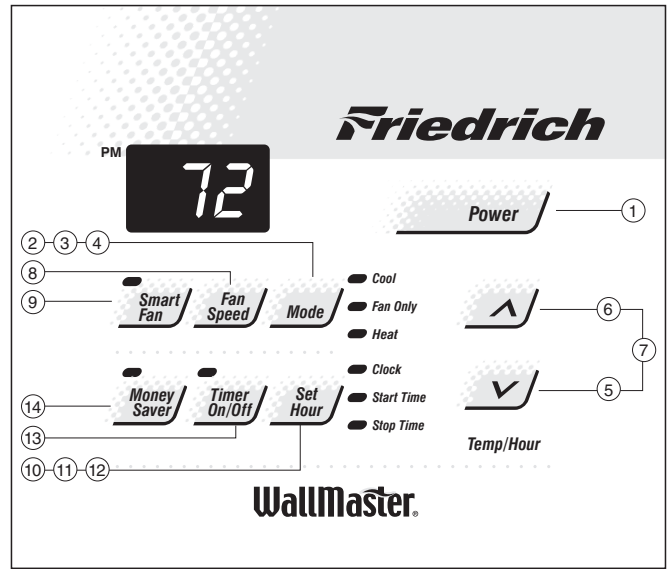


Figura 2: Panel de control del modelo calor-frío WY/WE

### Para activar MoneySaver (modelos WY/WE)

- ⑭ Pulse el botón Money Saver para activar esta función. La luz indicará que esta función está en uso.

MoneySaver® acciona el ventilador con el compresor de forma cíclica para que aquél no esté siempre en marcha. Eso ahorra energía y mejora la deshumidificación. MoneySaver® también se pone en marcha para comprobar la temperatura si el ciclo de reposo es demasiado largo. O quizás prefiera que el ventilador funcione a velocidad constante para que el aire se mueva más. (Para ello, pulse el botón Mode otras dos veces.)

### Protección automática de los componentes

Su unidad viene con una protección automática de los componentes.

Para proteger el compresor de la unidad, se ha programado un tiempo de descanso de tres minutos si usted apaga la unidad o si se corta la energía. El ventilador no se afectará.

Cuando usted va de Cool (frío) a Fan Only (ventilación sin enfriamiento) y lo vuelve a cambiar a Cool (frío), se ha programado una demora de tres minutos antes de que el compresor se vuelva a prender. Esto sirve para protegerlo

## Uso del mando a distancia

### Para poner en marcha la unidad

- ① ENCENDIDO: Pulse el botón Power una vez. La unidad se pondrá en marcha de forma automática en el modo y con la velocidad de ventilador en que se usó por última vez.

### Para configurar el modo de funcionamiento

- ② FRÍO: Pulse el botón Cool para que el modo de funcionamiento pase automáticamente a FRÍO.
- ③ SÓLO VENTILADOR: Pulse el botón Fan Only si desea utilizar sólo el ventilador.
- ④ CALOR (sólo modelos WY/WE): Pulse el botón Heat para que el modo de funcionamiento pase automáticamente a CALOR.
- ⑤ MoneySaver®: Pulse el botón Money Saver® para activar esta función. MoneySaver® acciona el ventilador con el compresor de forma cíclica para que aquél no esté siempre en marcha.

### Para ajustar la temperatura

- ⑥ MÁS CALOR: Pulse el botón Warmer para subir la temperatura del aire en la habitación.
- ⑦ MÁS FRÍO: Pulse el botón Cooler para bajar la temperatura del aire en la habitación.

### Para ajustar la velocidad del ventilador

- ⑧ VELOCIDAD DEL VENTILADOR: Pulse el botón Fan Speed para ver la opción actual. Vuelva a pulsarlo para cambiarla. F1 es la opción más baja (C. NOCTURNA/BAJA), F2 es MEDIA, F3 es ALTA y SF es la función VENTILADOR INTELIGENTE.

### Para configurar el reloj horario

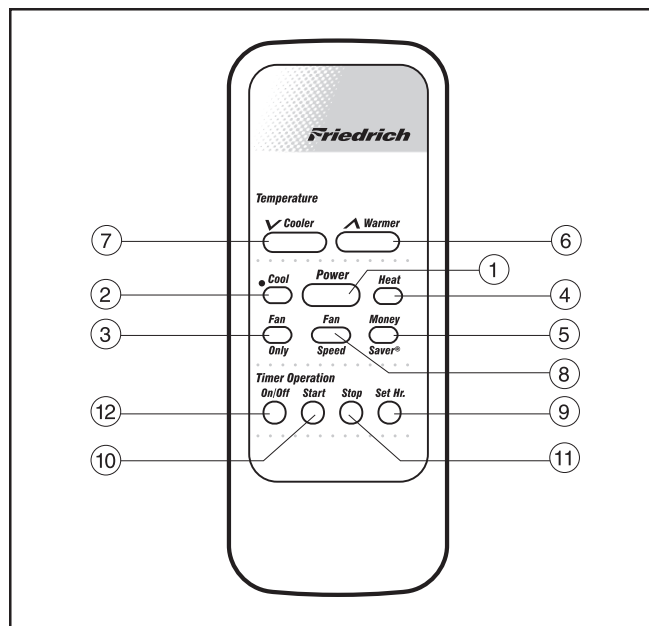
- ⑨ CONFIGURAR RELOJ HORARIO: Pulse el botón Set Hr. una vez para ver la configuración actual. Siga pulsándolo hasta llegar a la hora actual (sólo la hora). Los minutos no aparecen en la pantalla. Asegúrese de que la configuración A.M./P.M. es correcta.

## Para configurar el temporizador

NOTA: Puede configurar las horas de ARRANQUE y PARADA con una separación de 1 hora como mínimo y 23 horas como máximo.

- ⑩ ARRANQUE DEL TEMPORIZADOR: Pulse Start para ver la hora de arranque de refrigeración actual. Siga pulsando el botón de ARRANQUE hasta llegar a la hora de arranque deseada. Ésa será la hora de arranque de refrigeración fijada.
- ⑪ PARADA DEL TEMPORIZADOR: Pulse Stop. Siga pulsando el botón de PARADA hasta llegar a la hora de parada deseada. Ésa será la hora de parada de refrigeración fijada.
- ⑫ ENCENDIDO/APAGADO DEL TEMPORIZADOR: Pulse el botón On/Off (situado debajo de Timer Operation) para activar (luz encendida) o desactivar (luz apagada) el temporizador. Una vez seleccionadas las horas de encendido/apagado, permanecerán en la memoria y se activarán de forma cíclica a diario hasta que se cambien.

NOTA: Si se desenchufa la unidad o se produce un corte de corriente, deberá restablecerse la función Set Hr. o Timer On/Off no funcionará bien.



**Figura 3: Mando a distancia del modelo calor-frío WY/WE**

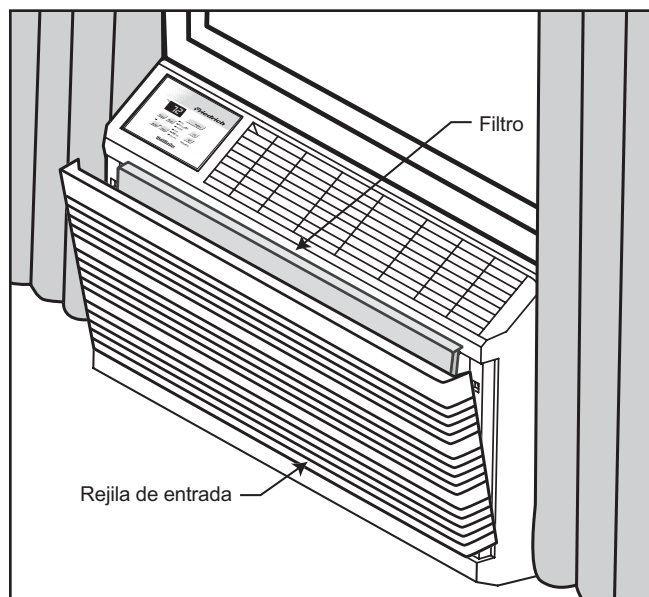
Puede comprar mandos a distancia inalámbricos adicionales con su distribuidor Friedrich

## Como limpiar el filtro

Su unidad de aire acondicionado para habitación de Friedrich está equipada con un filtro de múltiple uso Permafoam (espuma), con un tratamiento germicida (contra bacterias), el cual no cambia cuando se lava. El filtro sirve para remover polvo, polen y cualquier otra impureza del aire.

**MANTENGA LIMPIO EL FILTRO** - Un filtro atrancado o sucio reducirá la eficiencia de operación de su unidad y contribuirá que se forme escarcha en el serpentín interior. Asegúrese de revisar el filtro cada 7 a 10 días. El procedimiento es muy sencillo, debido al diseño único de la CUBIERTA DECORATIVA de su unidad Friedrich.

**ACCESO AL FILTRO** - Remueva la REJILLA DE ABSORCIÓN del marco de la CUBIERTA DECORATIVA, cogiéndola de las esquinas superiores izquierda y derecha. Tire de la rejilla hasta que se salga de los broches de presión. Inclínela hacia usted, levántela y sáquela de los broches de presión inferiores. Esto dejará el filtro a la vista. Remuévalo tirando de él llevándolo hacia usted. Lávelo con agua caliente jabonosa, enjuáguelo, ajústelo un poco para sacarle el agua, sacúdalo pero no lo doble y póngalo de nuevo en la unidad, en los dos ganchos de soporte. Vuelva a colocar la REJILLA DE ABSORCIÓN colocando la base inferior de la misma sobre los broches de presión que la sostienen. Incline el frente hacia arriba, en el sentido opuesto a usted mismo. Presione un poco la parte superior y la rejilla quedará colocada en los broches de presión superiores.



**Figura 4**

## Cómo cambiar la dirección del flujo de aire

La REJILLA DE SALIDA viene instalada de fábrica para proporcionar un flujo de aire con un ángulo de inclinación hacia arriba de 45° hacia el interior de la habitación. (Dirección 1 en la Figura 5.) Si desea un flujo de aire vertical (Dirección 2), es posible modificar la dirección girando la REJILLA DE SALIDA.

## Desenchufe el acondicionador de aire.

Retire el RETÉN DE LA REJILLA DE SALIDA fijado con un tornillo en el lado derecho de la rejilla.

Retire la REJILLA DE SALIDA de las ranuras de retención, situadas cerca de los CONTROLES, y gírela como se indica en la Figura 5.

Vuelva a instalar la REJILLA DE SALIDA colocándola en las ranuras de retención. Vuelva a fijar el RETÉN DE LA REJILLA DE SALIDA con el tornillo de retención. La unidad está lista para funcionar.

## Cómo cubrir los orificios del panel protector interno

Se incluyen dos tapones beige en una bolsa de plástico pegada con cinta adhesiva al chasis WallMaster. Éstos pueden utilizarse para taponar los dos orificios que quedan tras retirar el panel protector interno (consulte la Figura 5). Los tapones deben colocarse antes de instalar el bastidor del FRONTAL DECORATIVO.

## Requisitos eléctricos

**IMPORTANTE:** Antes de comenzar la instalación propiamente dicha del acondicionador de aire, consulte los códigos eléctricos locales y la siguiente información.

## ⚠ ADVERTENCIA



### Peligro de choque eléctrico

Utilice la protección de circuitos correcta.

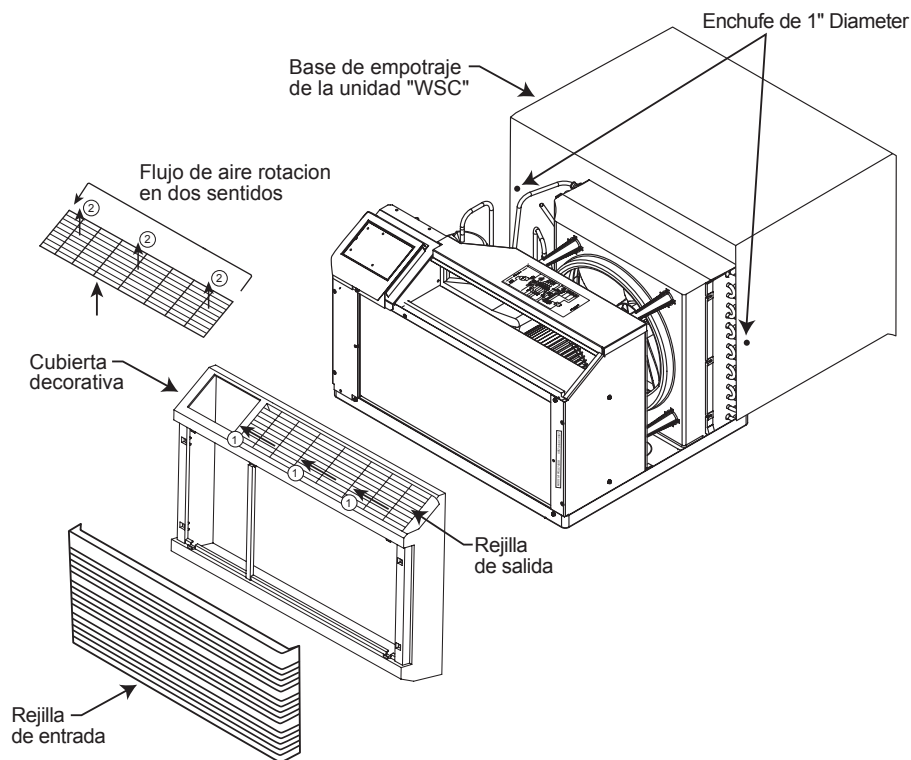
No seguir estas instrucciones puede ocasionar la muerte, un incendio o un choque eléctrico.

El acondicionador de aire debe hallarse conectado a una fuente de alimentación con idénticos valores nominales de tensión y frecuencia de corriente alterna que los indicados en la placa de características situada en el chasis. Sólo puede utilizarse corriente alterna (CA). Consulte las páginas 3 y 7 si desea ver el tipo correcto de enchufe para su modelo.

Un circuito sobrecargado ocasionará invariablemente la avería o el fallo del acondicionador de aire, por lo que resulta extremadamente importante que el suministro eléctrico y el cableado sean adecuados. En caso de duda, consulte a su distribuidor o compañía eléctrica.

**PROTECCIÓN PARA CIRCUITOS:** Antes de instalar o reubicar su acondicionador de aire para habitaciones Friedrich, compruebe el amperaje nominal del cortacircuitos o fusible "RETARDADO". Consulte la placa de características ubicada en el chasis del acondicionador de aire para determinar el amperaje correcto del fusible o cortacircuitos para su modelo. El valor nominal NO DEBE superar el valor indicado en dicha placa. Si se conecta el acondicionador de aire a un circuito protegido con un fusible, debe utilizarse un fusible "RETARDADO" debido a las demandas momentáneas de alta corriente al poner en marcha el aparato.

Figura 5







## Nunca use cables de extensión para hacer funcionar su unidad de aire acondicionado

Su unidad de aire acondicionado Friedrich está equipada con un enchufe de tres patas (a tierra) para protegerle a usted contra los peligros de electrocutarse y debe ser conectado en un receptáculo de tres patas con una conexión a tierra adecuada. Si usted tiene un tomacorriente de dos entradas, necesita reemplazarlo con uno de tres entradas que esté de acuerdo con todos los códigos y regulaciones nacionales y locales. No quite la clavija de tierra del enchufe por ninguna razón. Usted tiene que emplear el enchufe de tres entradas que se suministra con el aire acondicionado

**NUNCA CORTE O RETIRE DEL ENCHUFE LA PATA DE CONEXIÓN A TIERRA.**

## Cable de alimentación

Todos los sistemas Friedrich de aire acondicionado para habitación se embarcan desde la fábrica con un cable de alimentación equipado con Interruptor de detección de fugas de corriente (LCDI). A partir de agosto del 2004 el dispositivo LCDI cumple con los requisitos del UL (Underwriter's Laboratory) y el NEC (Código Eléctrico Nacional) para los sistemas de aire acondicionado conectados por cable.

Para probar su cable de alimentación:

1. Enchufe el cable de alimentación de energía a una terminal de 3 patas conectada a tierra.
2. Oprima "RESET" (Figura 6).
3. Oprima "TEST" (se escucha un chasquido; el botón "Reset" se desengancha y salta).
4. Oprima y suelte el botón "RESET" (se escucha un chasquido; el botón "Reset" se engancha y mantiene dentro). El cable de alimentación está listo para el funcionamiento.

NOTA: El dispositivo LCDI no está destinado para utilizarse como interruptor.

Una vez enchufado en la unidad, el dispositivo LCDI funcionará normalmente sin necesidad de reajustes.

Si el dispositivo no se desengancha durante la prueba o si el cable de alimentación de energía está dañado deberá cambiarlo por otro cable de alimentación nuevo suministrado por el fabricante. Le recomendamos llamar a nuestra Línea de asistencia técnica al 1-800-541-6645 ext. 662. Para agilizar el servicio, tenga a la mano su modelo y número de serie.



Figura 6

# Consejos para solucionar problemas y mantenimiento en el hogar

## No enfría

Si su aire acondicionado funciona, pero no enfría; compruebe si los controles están debidamente ajustados. Espere tres minutos antes de cambiar el termostato a una posición de mayor enfriamiento. Revise el filtro y límpielo perfectamente de ser necesario. Compruebe si la compuerta de ventilación está cerrada. Compruebe si está instalada la junta de sello del chasis (ver página 28).

## No calienta (únicamente para los modelos de calefacción/enfriamiento)

Si la unidad funciona pero no calienta, determine si los controles están graduados correctamente. Cambie el termostato a una posición de más calefacción para darse cuenta de si funciona. Además, revise el filtro y límpielo bien, de ser necesario.

## Olores procedentes de la unidad cuando esta calentado (únicamente para los modelos de calefacción/enfriamiento)

Usted puede notar un olor a humo la primera vez que se enciende el elemento del calentador. Esta situación es común en cualquier tipo de sistema de calefacción cuando se prende en el invierno. El olor proviene del polvo y otras partículas que se acumulan durante los meses de calor. Este olor desaparecerá rápidamente.

## No funciona

Si la unidad no funciona, revise el cordón de la energía para darse cuenta de que esté bien conectado. Revise también los fusibles, el interruptor de circuitos o el dispositivo LCDI (ver las instrucciones del LCDI); arréglole si es necesario o reemplace el fusible fundido (si lo hay) por otro de ACCION RETARDADA del tamaño adecuado. El tamaño adecuado de fusible se muestra en otra parte de estas instrucciones. Después de reestablecer la corriente a la unidad, espere tres minutos antes de volverla a poner a funcionar.

## Formación de escarcha en el serpentín interior

Ciertas condiciones operativas pueden producir la formación de escarcha en el serpentín interior. Durante la operación de enfriamiento, un filtro sucio o una distribución restringida del aire, combinados con un clima húmedo y frío, pueden hacer que esto ocurra. Si se produce la escarcha en el serpentín interior mientras enfría, ponga el control en FAN (ventilador) y manténgalo así hasta que la escarcha en el serpentín desaparezca. El graduar el termostato en una temperatura ligeramente más caliente ayudará a evitar que la escarcha se forme de nuevo.

## Para limpiar la cubierta decorativa

La CUBIERTA DECORATIVA de su unidad de aire acondicionado para habitación Friedrich, lo mismo que la totalidad del gabinete, pueden limpiarse con agua tibia y un detergente suave. Bajo condiciones de funcionamiento adversas, el serpentín interior y exterior y la bandeja base pueden requerir limpiezas periódicas, con el fin de mantener una operación eficiente. Cuando se requiera este servicio usted deberá llamar a su distribuidor Friedrich.

## ⚠ ADVERTENCIA



### Peligro de choque eléctrico

**Desconecte la energía eléctrica antes de dar mantenimiento.**

**Cambie todas las partes y paneles antes de operar.**

**No hacerlo puede resultar en la muerte o un choque eléctrico.**

## Cosas que usted debe saber sobre su unidad de bombeo de calor (heat pump) WallMaster

Cuando la unidad de bombeo de calor (Heat Pump) esté en funcionamiento, usted puede notar algunas funciones que no tuvieron uso cuando la unidad estaba enfriando:


1. Es común que se forme hielo en el serpentín exterior de su unidad de bombeo de calor (Heat Pump) WallMaster. El hielo se forma debido a la humedad que tiene el aire exterior cuando pasa sobre la superficie fría (por debajo de cero grados C, (32 grados F), del serpentín.
2. Cuando el serpentín exterior forma hielo, su unidad de bombeo de calor (Heat Pump) iniciará automáticamente el proceso de descongelación. El compresor parará y el ventilador seguirá funcionando. El calor se iniciará para continuar calentando la habitación mientras el aire exterior descongela el serpentín al aire libre. Una vez que la descongelación es total, la unidad volverá automáticamente a la modalidad de bombeo de calor.
3. Es normal que salga vapor del serpentín al aire libre durante el proceso de descongelación. Esto se parece al vapor que se forma cuando uno exhala aire caliente por boca y nariz, en una mañana muy fría.
4. Si la temperatura exterior o la temperatura del serpentín baja de 43 grados Fahrenheit (9 grados C). Durante la operación de calefacción, su unidad de bombeo de calor (Heat Pump) WallMaster® cambiará automáticamente al calor de resistencia eléctrica y continuará operando en esa modalidad, hasta que la temperatura exterior se mantenga por debajo de 43 grados F (9 grados C).

# Instrucciones de instalación para la base de empotraje de la cubierta WSC

**⚠ ADVERTENCIA**

**Peligro de caída de objetos**

No seguir las instrucciones de instalación para montar su aire acondicionado puede ocasionar daños a la propiedad, lesiones físicas o la muerte.



## Herramienta de montaje suministrada

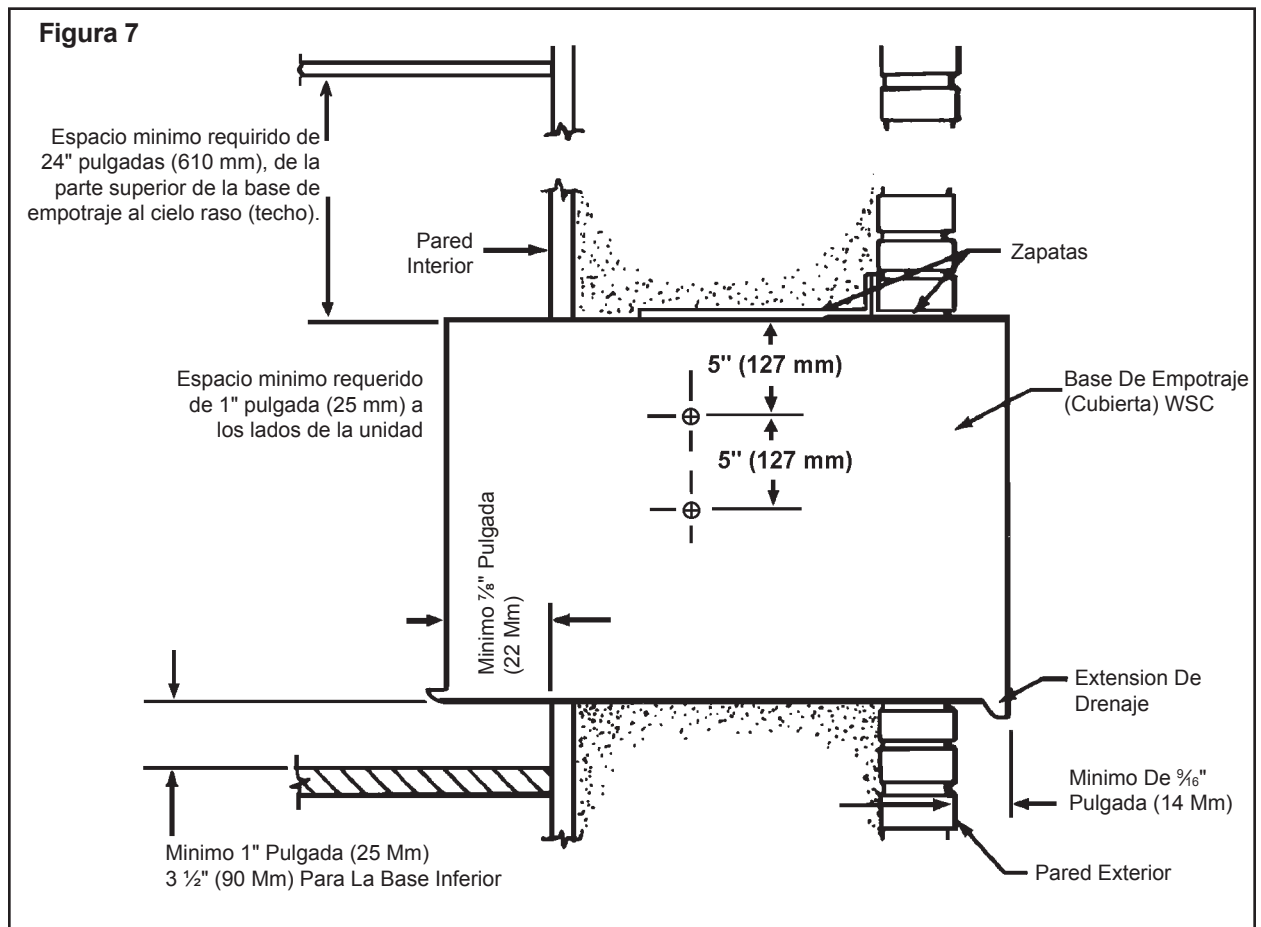
ELEMENTO #	DESCRIPCION	CANTIDAD
1	TORNILLO #12A x 2" PULGADAS	7

## Preparación de la pared

**PASO 1** La abertura necesaria para la BASE DE EMPOTRAJE WSC es de una altura de 17 ¼" pulgadas por 27 ¼" pulgadas de ancho (438 mm x 692 mm).

**PASO 2** Deben emplearse ZAPATAS (lintels) para sostener el material encima de la base de empotraje en aberturas de paredes enchapadas de ladrillo o de albañilería. También debe tenerse en cuenta lo siguiente:

- A. Debe emplearse la base inferior (SB) u otro tipo de apoyo o sostenimiento para la unidad en construcción de paredes tipo panel y otras paredes de menos de 8" pulgadas (200 mm) de grueso.
- B. Deje una distancia mínima de 1" pulgada (25 mm) en cada lado de la unidad, la pared y el piso adyacente. Donde se necesita una base inferior, la distancia mínima del piso a la base de empotraje será de 3 y ½" pulgada (90 mm). Para minimizar la posibilidad de corto circuito en el condensador, el espacio libre mínimo entre el cielo raso (techo) y la parte superior de la unidad debe ser de 24" pulgadas (610 mm). (Ver Figura 7).



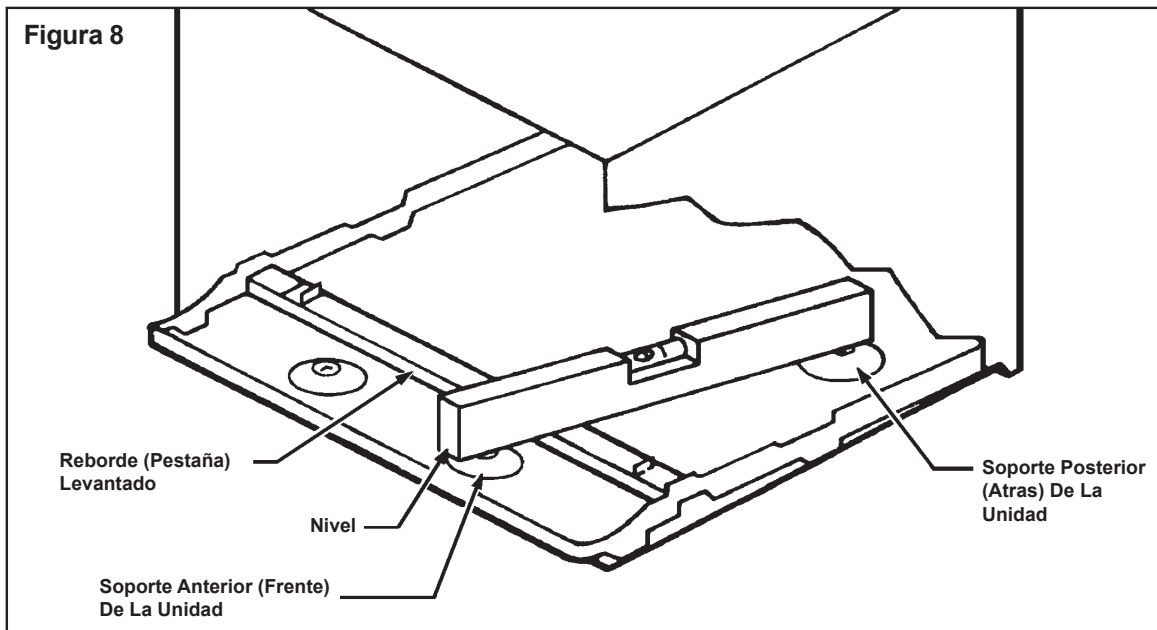
## Requerimientos para la instalación

- PASO 1** La BASE DE EMPOTRAJE WSC se debe colocar de tal forma que LA EXTENSION PARA DRENAJE se extienda por lo menos 9/16" de pulgada más allá de la PARED EXTERIOR (Ver Figura 8).
- PASO 2** La BASE DE EMPOTRAJE WSC debe extenderse un mínimo de 7/8" de pulgada dentro de LA PARED INTERIOR.
- PASO 3** La BASE DE EMPOTRAJE WSC debe instalarse nivelada de lado a lado.

- PASO 4** La BASE DE EMPOTRAJE WSC también se debe instalar con un pequeño declive hacia la parte exterior de la edificación. Colocando un NIVEL de tal forma que se apoye en los SOPORTES ANTERIOR Y POSTERIOR, como es muestra en la Figura 8, se proporciona el declive requerido.

**ADVERTENCIA:** Las proyecciones de la base de empotrado y las precauciones de nivel deben observarse para prevenir la entrada de agua a la habitación.

<b>AVISO</b>	Se deben respetar las proyecciones de la BASE DE EMPOTRAJE y las precauciones de nivelación para evitar la entrada de agua en la habitación.
--------------	--



## Instalación de la base de empotrado

- PASO 1** Después de sacar de la caja la BASE DE EMPOTRAJE "WSC," remueva el PANEL DELANTERO estriado. Colóquela en el hueco de la pared siguiendo las instrucciones que se dan en los REQUERIMIENTOS PARA LA INSTALACION. Asegure la BASE DE EMPOTRAJE a la PARED INTERIOR colocando dos (2) tornillos #12Ax2" pulgadas a cada lado de la BASE DE EMPOTRAJE (Ver Figura 7). Ponga una cuña en la parte superior de la BASE DE EMPOTRAJE en la mitad de los dos lados. Ponga un tornillo #12Ax2" pulgadas en la parte superior de la BASE DE EMPOTRAJE cerca de la cuña. Ponga los tornillos en el interior de la BASE DE EMPOTRAJE. Si el hueco en la pared no está enmarcado con madera, use tornillos de base de ancla o tornillos molly (toggle), los cuales no se proporcionan.
- PASO 2** Una vez la BASE DE EMPOTRAJE se ha instalado, revise el NIVEL de nuevo para asegurarse de que se ha mantenido el declive hacia afuera de media burbuja. Coloque unas cuñas, si son necesarias para mantener el declive requerido.
- PASO 3** Rellene con masilla el total de la abertura en la parte interior y exterior, entre la BASE DE EMPOTRAJE y la PARED.
- PASO 4** El panel anterior estriado que se quitó en el Paso 1 debe montarse en su lugar nuevamente si hay que hacer trabajo de albañilería y/o si el CHASIS "WSC" se va a instalar posteriormente.

## Instrucciones de instalación del chasis WallMaster para los modelos WS, WE y WY (carcasa WSC-A)

Instrucciones de instalación del chasis WallMaster para los modelos WS, WE y WY (carcasa WSC-A) Las presentes instrucciones se proporcionan para la instalación de los modelos de chasis de acondicionadores de aire WallMaster en las carcasa empotrables en la pared. UL ha aprobado el uso de este chasis con la carcasa que figura en la placa con el número de serie del chasis. En las páginas 17 y 18 encontrará información importante sobre la garantía. Conserve estas instrucciones en un lugar adecuado por si fuese preciso efectuar cualquier reparación cubierta por la garantía.

**PASO 1** Compruebe la carcasa a fin de asegurarse de que se ha instalado correctamente en la pared. Retire el panel frontal ondulado de la CARCASA WSC. Retire el PANEL PROTECTOR trasero. Dé la vuelta a la rejilla. Coloque el borde inferior en la pestaña de la carcasa (con el logotipo de Friedrich mirando hacia fuera). Alinee las ranuras con los orificios para los tornillos y, por último, fije la rejilla con los tornillos.

- A. Compruebe los tornillos de anclaje. Debería haber cuatro (4) en la CARCASA WSC (dos a cada lado).
- B. Determine si la carcasa posee un ángulo de inclinación descendente hacia el exterior de  $\frac{1}{2}$  burbuja de nivel. Si desea obtener más información, consulte la página 10.
- C. Asegúrese de que todos los bordes de la carcasa se han sellado con masilla de tipo industrial tanto por fuera como por dentro, para impedir la entrada del agua de lluvia.
- D. Una junta selladora de la base de empotraje ha sido proporcionada en el embalaje de cartón del envío del chasis. Retírela del embalaje de cartón, pele la capa protectora del adhesivo e instálela en la base de empotraje (adhesivo hacia abajo).

**PASO 2** Compruebe el enchufe para asegurarse de que cumple con los requisitos del modelo de chasis que se dispone a instalar. En las páginas 2 y 5 encontrará los requisitos del enchufe.

**PASO 3** El frontal decorativo viene empaquetado en su propia caja dentro del embalaje de cartón del chasis, entre el chasis y el embalaje. Saque esta caja y apártela por el momento.

**PASO 4** Con la colaboración de un ayudante, retire el chasis del embalaje de cartón. Tenga cuidado con las horquillas a fin de evitar que sufran golpes, ya que esto podría dañarlas. Con la colaboración de un ayudante, levante el chasis por la bandeja base y deslícelo dentro de la carcasa hasta que toque la rejilla trasera. Con el chasis en la posición correcta, el borde frontal de la bandeja base debe sobresalir  $4 \frac{3}{4}$  in (12.07 cm) del borde (lado) frontal de la carcasa.

**⚠ PRECAUCIÓN**

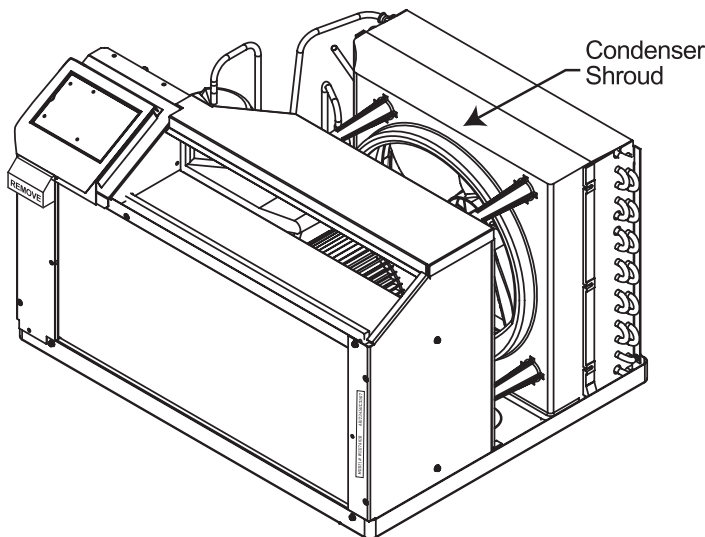
**Peligro de peso excesivo**  
Pida la ayuda de dos o más personas al instalar su aire acondicionado.  
No hacerlo puede provocar lesiones en la espalda o en otras partes del cuerpo.

**⚠ PRECAUCIÓN**



**Riesgos de cortadas/amputaciones**  
Aunque se ha tenido mucho cuidado para minimizar los bordes filosos en la construcción de su unidad, utilice guantes u otro tipo de protección para las manos al manejar la unidad.  
No hacerlo puede ocasionar lesiones físicas de leves a moderadas.

Figura 9



# Instrucciones para la instalación del chasis WallMaster® para los modelos WS, WE y WY (la base de empotraje WSC-B)

Se proporcionan estas instrucciones para la instalación del chasis de la unidad de aire acondicionado Wallmaster® en las bases de empotraje en la pared. Este chasis ha sido aprobado (UL) con la base de empotraje listada en la placa de serie del chasis. Información muy importante de la garantía se suministra en las instrucciones de funcionamiento anterior a estas instrucciones. Guarde estas instrucciones en un lugar seguro por si se llegara a requerir algún servicio relacionado con la garantía.

**PASO 1** Revise la base de empotraje para asegurarse de que está instalada correctamente en la pared. Retire el panel anterior estriado de la base de empotraje de la unidad WSC. Retire el cartón detrás del PANEL DEL CLIMA. Coloque el lado de abajo de ésta en la lengüeta de la base de empotraje (el logo de Friedrich mirando hacia afuera). Alinee las ranuras con los agujeros para tornillos. Asegure la rejilla apretando los tornillos.

- A. Revise los tornillos de anclaje. Deben haber cuatro (4) en la BASE DE EMPOTRAJE de la unidad WSC, (dos en cada lado).
- B. Determine si la base de empotraje tiene un declive hacia el exterior (de ½ burbuja en el nivel). Lea las instrucciones de la base de empotraje para mayores detalles.
- C. Asegúrese de que la base de empotraje se ha sellado en sus bordes con un compuesto de relleno tipo industrial (tanto en el interior como en el exterior), para prevenir que la lluvia pueda entrar.

- D. Una junta selladora de la base de empotraje ha sido proporcionada en el embalaje de cartón del envío del chasis. Retírela del embalaje de cartón, pele la capa protectora del adhesivo e instálela en la base de empotraje (adhesivo hacia abajo).

**PASO 2** Revise el receptáculo eléctrico para ver si coincide con los requerimientos necesarios para ser instalado con el modelo de chasis. Lea las instrucciones de funcionamiento para obtener los requerimientos del receptáculo.

**PASO 3** La cubierta decorativa está empacada en una caja separada dentro de la caja de transporte del chasis, entre éste y la caja. Saque esta caja y póngala a un lado hasta después.

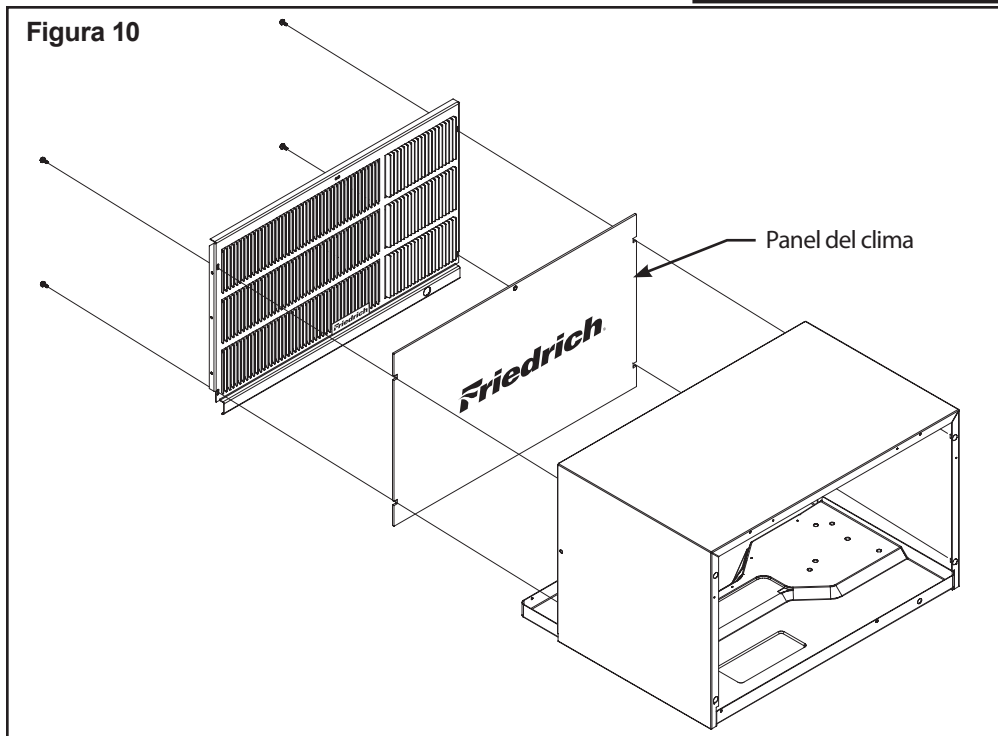
**PASO 4** Saque el chasis de la caja para transportarlo. Tenga cuidado de no permitir que ningún elemento entre en contacto con los ganchos pues esto puede causarles daño. Levante el chasis de la bandeja base y deslícelo en la base de empotraje hasta que esté en contacto con la rejilla posterior. Con el chasis en la posición correcta, el borde frontal de la bandeja debe sobresalir 4 ¾ in (12.07 cm) del borde (lado) frontal de la carcasa.

**PRECAUCIÓN**

**Peligro de peso excesivo**  
Pida la ayuda de dos o más personas al instalar su aire acondicionado.  
No hacerlo puede provocar lesiones en la espalda o en otras partes del cuerpo.

**PRECAUCIÓN**

**Riesgos de cortadas/amputaciones**  
Aunque se ha tenido mucho cuidado para minimizar los bordes filosos en la construcción de su unidad, utilice guantes u otro tipo de protección para las manos al manejar la unidad.  
No hacerlo puede ocasionar lesiones físicas de leves a moderadas.



**PASO 5 INSTALACIÓN DE LA JUNTA DE SELLO DEL CHASIS:**

Después de instalar el forro, deslice el chasis dentro del forro hasta aproximadamente 7.62 cm (3 pulgadas) de la inserción completa. Enmasille la junta de sello a una profundidad de 2.54 cm (1 pulgada) entre el chasis y el forro (ver la Figura 11). Cerciérese de instalar la junta comenzando desde la esquina del lado inferior derecho para después extenderla sobre la parte superior y hacia abajo en dirección a la esquina del lado inferior izquierdo. Luego empuje completamente el chasis dentro del forro en toda la distancia de modo que la porción delantera de plástico tope con el borde frontal del forro.

Si no se instala la junta de sello del chasis, el funcionamiento de la unidad se verá afectado de manera adversa. Además, aumentarán el ruido del funcionamiento y el ruido exterior.

**PASO 6** Cogiéndola de las esquinas superiores izquierda y derecha quite la rejilla de entrada del marco de la cubierta decorativa. Tirela hacia afuera hasta que la rejilla se desprenda de los broches que la sujetan en la parte de arriba. Inclínela hacia usted, levántela y sáquela de los broches que la sujetan en la parte de abajo. Instale el marco de la cubierta decorativa en su sitio, sobre la abertura de la base de empotraje y sujétela al CHASIS con cuatro tornillos metálicos, como se muestra en la Figura 11. Coloque la rejilla de entrada poniendo la base inferior de la rejilla en los broches que la sujetan en la parte de abajo. Incline el frente hacia arriba, alejándolo de usted. Presione suavemente en la parte de arriba y la rejilla se colocará ella misma en los broches que la sujetan en la parte de arriba.

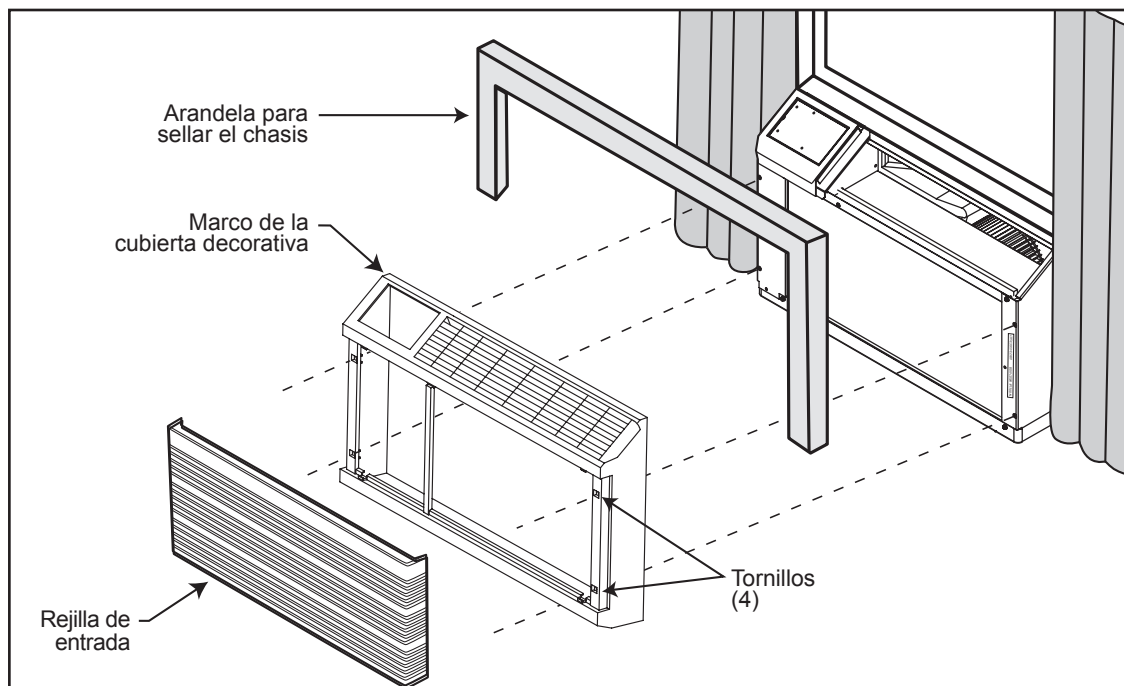


Figura 11

Fije el marco al chasis por insertar cuatro (4) tornillos de  $\frac{5}{8}$  pulgada tipo 8A dentro a través de las aperturas en el marco y de los huecos en el chasis.

**⚠ PRECAUCIÓN**

**Peligro de peso excesivo**  
Pida la ayuda de dos o más personas al instalar su aire acondicionado.  
No hacerlo puede provocar lesiones en la espalda o en otras partes del cuerpo.

**⚠ ADVERTENCIA**

**Peligro de objetos en movimiento**

**Cambie todos los paneles antes de operar su aire acondicionado. No hacerlo puede provocar lesiones.**

## Drenaje de la condensación en los modelos WS, WE y WY

Si usted quiere drenar la condensación formada en la bandeja base mientras la unidad está en funcionamiento, utilice el tubo de drenaje que trae la unidad, el cual puede asegurarse a la bandeja base. Se debe suministrar un tubo de 3/8" diámetro exterior de plástico de pared delgada o de cobre que será fijado al chupón de desagüe. Siga las instrucciones a continuación:

**PASO 1** Busque la placa para drenaje en la parte posterior de la bandeja base y quítela. (Ver Figura 12). Usando los tornillos de la placa, instale la arandela y el tubo de drenaje en la bandeja base.

**PASO 2** Quite la tapa removible del orificio knockout en la parte inferior derecha de la rejilla posterior. Deslice el chasis en la base de empotrante para la unidad WSC, de tal forma que el tubo de drenaje pase por el orificio knockout.

**PASO 3** Inserte la tubería dentro del chupón de desagüe.

Si el chasis tiene que ser removido de la base de empotrante para alguna reparación, retire la manguera antes de deslizar el chasis fuera de la base de empotrante.

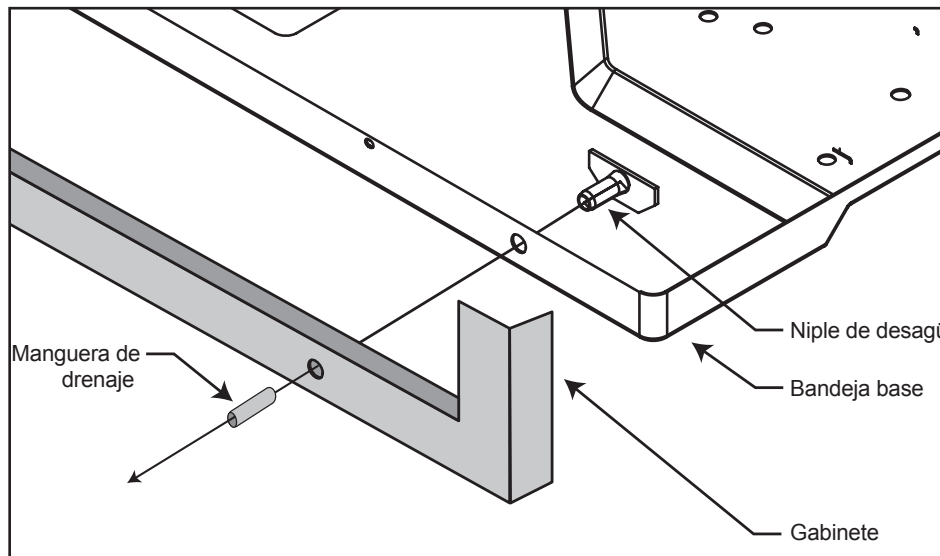


Figura 12

## Equipos opcionales para drenaje

### DK (Equipo de drenaje)

En los modelos WE y WY, en caso de que la temperatura exterior baje de 37 grados Fahrenheit (2.7 grados C), cualquier cantidad de agua que se encuentre todavía en la bandeja base del chasis es drenada a la bandeja de la base de empotrante, para prevenir que se congele. (ADVERTENCIA: En climas excesivamente húmedos, en la modalidad de enfriamiento de los modelos WS, WE y WY es posible que se produzca un derrame de exceso de condensación). Para estos casos especiales, hay disponible un equipo para drenaje opcional ("DK").

### IDK (Equipo para drenaje interior)

La construcción nueva para permitir a los sistemas de drenaje construidos dentro de las paredes puede utilizar el equipo de drenaje interior Friedrich ("IDK"), diseñado para instalación en la parte inferior de la base de empotrante, debajo de la válvula de desagüe tipo fuelle (en los modelos de calefacción y enfriamiento únicamente).





Friedrich Air Conditioning Co.  
 Post Office Box 1540  
 San Antonio, Texas 78295-1540  
 (210) 357-4400  
 www.friedrich.com

## Garantía limitada para unidades de aire acondicionado de tipo ventana

### EL PRIMER AÑO

**TODAS LAS PARTES:** Si falla cualquier componente de FRIEDRICH por defecto de fabricación o de material en los primeros doce meses a partir de la fecha de compra, FRIEDRICH reparará el producto gratuitamente si el acceso a la unidad es razonable. El propietario será responsable de los gastos adicionales por la extracción de partes inaccesibles y gastos de viaje si el trayecto de ida de la compañía de reparaciones es superior a los 46 kilómetros. Éste es el único remedio explícitamente acordado para los primeros doce meses a partir de la fecha original de compra.

### DEL SEGUNDO AL QUINTO AÑO

**SISTEMA SELLADO DE REFRIGERACIÓN:** Si falla el sistema sellado de refrigeración (a estos efectos comprende el compresor, la bobina del condensador, la bobina del evaporador, la válvula de inversión, los capilares, el secador del filtro y todas las tuberías de conexión) suministrado por FRIEDRICH por defecto de fabricación o de material en el período de sesenta meses a partir de la fecha de compra, FRIEDRICH pagará una parte de los gastos de trabajo y los componentes necesarios para reparar el sistema. FRIEDRICH no se hace responsable de los gastos de diagnóstico, extracción, carga, transporte del lugar donde está instalado al centro de reparación, ni reinstalación de la unidad. Estos gastos son responsabilidad del propietario. Éste es el único remedio explícitamente acordado para los primeros sesenta meses a partir de la fecha original de compra.

**APLICABILIDAD Y RESTRICCIONES:** Estas garantías sólo tendrán vigencia mientras la unidad permanezca en los cincuenta estados de los Estados Unidos, el Distrito de Colombia y Canadá. La garantía excluye:

1. Filtros de aire o fusibles.
2. Productos sin el número de serie o modelo.
3. Productos defectuosos o dañados como resultado de la instalación incorrecta o el uso incorrecto de cables o corriente eléctrica, o mantenimiento inadecuado, o de accidentes, uso indebido o abuso, incendios, inundaciones, alteraciones o aplicaciones incorrectas del producto, y/o unidades instaladas en atmósferas corrosivas, fallos o retrasos de funcionamiento por casos de Guerra, restricciones de gobierno, huelgas, escasez de materiales fuera del control de FRIEDRICH, o actos de fuerza mayor.

**PARA OBTENER SERVICIOS BAJO GARANTÍA:** Recibirá servicio de la organización de servicio o el distribuidor autorizado por FRIEDRICH en su zona. Puede encontrar esta información en las páginas amarillas. Si necesita ayuda para obtener servicios bajo garantía, escriba a: Room Air Conditioner Service Manager, Friedrich Air Conditioning Co., P.O. Box 1540, San Antonio, TX 78295-1540.

**LIMITACIONES: ESTA GARANTÍA SUPERSEDE TODAS LAS DEMÁS. LAS GARANTÍAS IMPLÍCITAS DE BUEN FUNCIONAMIENTO PARA PROPÓSITOS ESPECIALES Y/O MERCANCÍA SE LIMITAN A LA DURACIÓN DE ESTA GARANTÍA EXPLÍCITA. EL FABRICANTE RECHAZA EXPLÍCITAMENTE LA RESPONSABILIDAD DE LOS DAÑOS CONSECUENTES O ACCIDENTALES QUE SE PRODUZCAN POR EL INCUMPLIMIENTO DE CUALQUIER GARANTÍA EXPLÍCITA O IMPLÍCITA.**

**NOTA:** Algunos estados no tienen limitaciones sobre la duración de garantías implícitas ni permiten limitar o excluir los daños consecuentes o accidentales, por lo que es posible que estas exclusiones y limitaciones no le afecten a usted.

**INFORMACIÓN ADICIONAL:** Esta garantía le da a usted derechos legales específicos. Puede que usted tenga otros derechos adicionales que varían de un estado a otro.

**PRUEBA DE COMPRA:** El propietario debe presentar prueba de compra para recibir servicio de acuerdo con la garantía.

El consumidor es el único responsable de todas las llamadas de servicio para explicar el funcionamiento del producto.

Todos los servicios de garantía deben ser proporcionados por una compañía de reparaciones autorizada por **FRIEDRICH**, a menos que FRIEDRICH autorice las reparaciones con antelación.

Friedrich desea que usted se mantenga siempre satisfecho con su unidad de aire acondicionado. Si necesita cualquier tipo de ayuda adicional referente a la garantía, por favor, póngase en contacto con:

**RAC Warranty, Service and Parts  
Friedrich Air Conditioning Co.  
P.O. Box 1540  
San Antonio, TX 78295-1540**

### Su tarjeta personal de registro de la garantía

**REGISTRO DE LA GARANTIA:** Por favor llene y envíe a FRIEDRICH su Tarjeta de Registro de la Garantía (no esta tarjeta). Aunque para obtener su garantía no es obligatorio que usted lo haga, esto registra su garantía y nos facilita y acelera el proceso de verificar el período de cobertura de su garantía y el de ponernos en contacto con usted, si llegara a ser necesario el que deba dársele servicio a nuestro producto.

Para registrar su unidad de aire acondicionado, llene la tarjeta de registro incluida, o se puede registrar en Internet en [www.friedrich.com](http://www.friedrich.com) (sólo EE.UU.).

**PARA SU ARCHIVO:** LLENE LA INFORMACION SIGUIENTE CUANDO SE INSTALE LA UNIDAD, PARA QUE ESTÉ DISPONIBLE SI ES NECESARIA POSTERIORMENTE.

Modelo No. \_\_\_\_\_ Serie No. \_\_\_\_\_ Fecha de instalación \_\_\_\_\_

Fue comprada en: \_\_\_\_\_

\_\_\_\_\_  
(Nombre del distribuidor)

\_\_\_\_\_  
(Persona de contacto)

\_\_\_\_\_  
(Dirección del distribuidor)

\_\_\_\_\_  
(Teléfono)

**Utilice siempre los repuestos (partes) de fabrica autorizados por Friedrich.  
El uso de partes no autorizadas puede anular su garantía.**

# Thru-the-wall

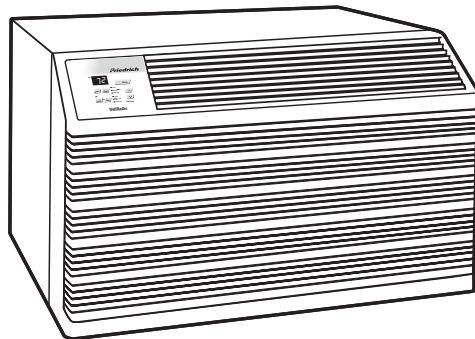
## Climatiseurs et pompes à chaleur

---

### WallMaster®

115-Volts: WS08, WS10, WS14

230-Volts: WS10, WS13, WS16, WE10, WE13, WE16, WY10, WY13



# Table des matières

Votre sécurité et la sécurité des autres .....	36
<b>Introduction</b>	
Conseils d'économie .....	37
Données électriques .....	37
<b>Introduction</b>	
Comment faire fonctionner votre climatiseur individuel Friedrich .....	38
Pour mettre l'unité en marche .....	38
Réglage du mode de fonctionnement .....	38
Réglage de la température .....	38
Réglage de la vitesse du ventilateur .....	38
Pour activer SMART FAN .....	38
Réglage de l'horloge .....	38
Réglage de la minuterie .....	38
Protection automatique des composants .....	39
Utilisation de la télécommande .....	40
Comment nettoyer le filtre à air .....	41
Comment changer la direction de l'écoulement d'air .....	42
Comment couvrir les trous du panneau isolant intérieur .....	42
Exigences électriques .....	42
N'utilisez jamais une rallonge électrique .....	43
Renseignements au sujet du cordon d'alimentation .....	43
Conseils de dépannage et entretien ménager .....	44
<b>Directives pour l'installation du caisson WSC</b>	
Matériel nécessaire à l'installation .....	45
Préparation du mur .....	45
Exigences d'installation .....	46
Installation du caisson .....	46
<b>Directives d'installation du châssis WallMaster</b>	
Installation des modèles WS, WE et WY (caisson WSC-A) .....	47
Installation des modèles WS, WE et WY (caisson WSC-B) .....	48
Démontage du condensateur .....	50
Trousses de purge auxiliaires .....	51
Garantie .....	52
Fiche d'enregistrement de garantie .....	53

## Votre sécurité et la sécurité des autres sont très importantes

Nous avons délivré de nombreux messages de sécurité importants dans ce manuel et sur votre appareil. Lisez toujours et suivez tous les messages.



Ceci est un symbole d'alerte de sécurité.

Ce symbole vous alerte de dangers potentiels qui peuvent conduire à la mort ou vous blesser vous et d'autres. Tous les messages de sécurité suivront le symbole d'alerte de sécurité avec le mot "AVERTISSEMENT" ou "ATTENTION". Ces mots signifient:

**AVERTISSEMENT**

Vous pouvez être tué ou blessé gravement si vous ne suivez pas les instructions.

**ATTENTION**

Vous pouvez vous blesser légèrement ou plus gravement si vous ne suivez pas les instructions.

**NOTE**

Tous les messages de sécurité vous indiqueront qu'il y a un danger potentiel, et vous diront comment réduire le risque de blessure, ainsi que ce qui se passera si les instructions ne sont pas suivies.

## BIENVENUE à des années de confort économique




Le nouveau climatiseur Friedrich a été soigneusement développé et fabriqué pour donner des années de fonctionnement fiable et efficace, et pour maintenir une pièce à une température et à un niveau d'humidité confortables. Beaucoup de caractéristiques spéciales ont été incorporées dans le climatiseur Friedrich pour assurer un fonctionnement silencieux, une plus grande circulation d'air frais et sec, une sélection très flexible des commandes de fonction, et un fonctionnement économique.

Il est possible de faire de nombreux changements dans la maison et aux alentours pour économiser de l'argent et même pour augmenter le rendement et la longévité de l'appareil Friedrich. Voici quelques exemples:

- Réglage du thermostat: À la mise en marche du climatiseur, choisir la vitesse la plus élevée du ventilateur et régler le thermostat à la température la plus froide pour refroidir la pièce. Quand la température désirée est obtenue, tourner le thermostat vers « warmer » (plus chaud) jusqu' à ce que le compresseur s'arrête. Le thermostat met alors le compresseur en marche et l'arrête pour maintenir la température désirée. Il est possible de régler la vitesse du ventilateur afin d'obtenir la circulation optimale de l'air.
- Il ne faut pas bloquer le passage de l'air entrant ou sortant de l'appareil. Vérifier que les bouches sont dirigées pour donner une distribution uniforme de l'air dans toute la pièce. Prudence - Si le passage d'air est bouché ou si l'air froid est renvoyé dans l'admission du climatiseur, l'appareil peut se mettre en marche et s'arrêter fréquemment, ce qui peut l'endommager.
- L'isolation adéquate des murs, des plafonds et sous les planchers, peut économiser jusqu'à 50 % des frais de climatisation dans la plupart des régions du pays.
- Mastic: dans les maisons avec des murs bien isolés, l'application de mastic sur les fuites d'airs autour des portes, des fenêtres et les appareils d'éclairage et de plomberie peut faire une différence de 30% sur la charge des systèmes de climatisation et de chauffage. Vérifier que tous ces endroits sont bien enduits de mastic.
- Installer du calfeutrage (le métal est préférable au feutre) autour des portes extérieures et des fenêtres.
- Vous avez une cheminée ? Vérifiez que la clé est fermée pendant la saison de climatisation.
- Quand le moment est arrivé d'installer une nouvelle toiture ou de repeindre l'extérieur de la maison, choisir des couleurs claires. Elles reflètent la chaleur plutôt que de l'absorber.
- Protéger les murs extérieurs de la maison (spécialement côté ouest) contre l'exposition directe au soleil. Plus important, abriter le climatiseur de l'ombre. Des arbres et des buissons fournissent de l'ombre naturelle, mais il faut s'assurer qu'ils ne bloquent pas le passage de l'air autour de l'appareil. Il faut également éviter les endroits où une quantité excessive de poussière ou de pollen peut être aspirée dans le climatiseur.  
S'il n'y a pas d'ombre naturelle, des auvents créeront idéalement de l'ombre à l'appareil et aux fenêtres.
- À l'intérieur de la maison, utiliser des stores, des écrans ou des rideaux sur les fenêtres exposées au soleil. Ils réduisent les besoins de climatisation (des rideaux doublés ou isolés aident aussi à diminuer le chauffage en hiver).
- Vérifier que les combles sont aérées correctement. En plus, il faut envisager l'installation d'une turbine ou de ventilateurs électriques pour aider à éliminer l'air très chaud des combles.
- Maintenir l'appareil Friedrich propre. Nettoyer avec un aspirateur les parties accessibles, mais il faut faire attention de ne pas les endommager. Nettoyer le filtre permanent au moins deux fois par mois.
- Régler le thermostat à une température plus élevée, chaque degré Fahrenheit au-dessus de 72 °F (22 °C) économise 5 % d'énergie.

Ce sont les suggestions les plus importantes pour économiser de l'argent sur la climatisation. Certaines peuvent ne pas s'appliquer à une maison ou une région spécifique. Vous pourrez obtenir des renseignements supplémentaires auprès des compagnies de distribution de gaz et d'électricité.

## Données électriques

Modèle	Type de fiche	Capacité du circuit du disjoncteur ou du fusible temporisateur
WS08, WS10, WS14	 NEMA No. 5-15P	125V-15 AMP
WS10, WS13, WS16	 NEMA No. 6-15P	250V-15 AMP
WE10, WE13, WE16, WY10, WY13	 NEMA No. 6-20P	250V-20 AMP

### AVERTISSEMENT

#### Danger d'électrochoc

Assurez-vous que votre prise électrique possède la même configuration que la prise de votre climatiseur. Si elle est différente, consultez un électricien qualifié.

N'utilisez pas d'adaptateur de prise.  
N'utilisez pas de rallonge.  
Ne retirez pas la fiche de terre.



Branchez toujours à une prise à 3 fiches avec mise à la terre.

Ne pas suivre ces instructions peut provoquer la mort, un incendie, ou un électrochoc.

# Comment faire fonctionner votre climatiseur individuel Friedrich

## Pour mettre l'appareil en marche

Si votre climatiseur est installé et branché dans une prise de courant appropriée, il est prêt à être utilisé. La première fois que l'appareil est mis en marche, le compresseur retardera le départ de trois minutes. Reportez-vous à Protection automatique des composants à la page suivante.

- ① Appuyez une fois sur le bouton Power. L'unité sera automatiquement en mode Cool avec la température réglée à 24 °C (75 °F) et la vitesse du ventilateur à F1, le réglage de nuit.

## Pour régler le mode de fonctionnement

Lorsque vous mettez l'unité en marche pour la première fois, elle sera en mode Cool avec ventilateur continu.

- ② Sur les modèles WS à refroidissement unique, Appuyez sur le bouton Mode une fois pour activer la fonction MoneySaver® (modèle WS seulement. Reportez-vous au numéro 14 pour connaître les directives MoneySaver des modèles WY/WE). MoneySaver® est une fonction qui synchronise le ventilateur avec le compresseur de manière à ce que le ventilateur ne fonctionne pas continuellement. Cela économise de l'énergie et améliore la déshumidification. MoneySaver® procédera aussi à la vérification la température si le cycle d'arrêt est trop long. Ou encore, vous pouvez préférer que le ventilateur fonctionne constamment pour un plus grand mouvement de l'air. (Pour retourner au mode de ventilateur continu, appuyez sur le bouton Mode deux fois encore).

## Pour faire fonctionner le ventilateur par lui-même, procédez comme suit:

Sur les modèles WY/WS à refroidissement et chauffage, Appuyez sur le bouton Mode une fois pour activer la fonction Fan Only (ventilateur unique). Le réglage Fan Only fait circuler l'air dans la pièce sans activer le compresseur.

- ③ À partir du mode MoneySaver®, Appuyez sur le bouton Mode une fois pour activer la fonction Fan Only (sur les modèles WS à refroidissement seulement).

## Pour régler la température

- ④ Utilisez le bouton Mode pour sélectionner la fonction Cool ou MoneySaver® (ou Heat (chaleur) sur les modèles WY/WE à refroidissement et chauffage).
- ⑤ COOLER (PLUS FROID) - Appuyez sur le bouton ✓ pour abaisser la température de la pièce.
- ⑥ WARMER (PLUS CHAUD) - Appuyez sur le bouton ▲ pour augmenter la température de la pièce.
- ⑦ Appuyez sur les boutons ▲ et ▼ en même temps pour faire passer l'affichage de la température de Fahrenheit (°F) à Celsius (°C). Répétez l'étape 7 pour passer de °C à °F.

## Réglage de la vitesse du ventilateur

- ⑧ Appuyez sur le bouton Fan Speed pour voir le réglage actuel. Appuyez à nouveau sur le bouton pour changer la vitesse. F1 est le réglage le plus bas (RÉGLAGE DE NUIT / FAIBLE), F2 est une vitesse MOYENNE et F3 est une vitesse ÉLEVÉE.

## Pour activer SMART FAN (modèle WS à refroidissement unique)

- ⑨ Il existe une quatrième option, SF, lors de la sélection de la vitesse du ventilateur. Il s'agit de la fonction SMART FAN. SMART FAN NE FONCTIONNE PAS AVEC LE MODE DE VENTILATEUR UNIQUE.

## Pour activer SMART FAN (modèles WY/WE à refroidissement et chauffage)

- ⑨ Appuyez sur le bouton Smart Fan pour activer cette fonction. Le voyant indiquera que la fonction est utilisée.

Smart Fan réglera la vitesse du ventilateur automatiquement pour maintenir le niveau de confort désiré. Par exemple, si les portes extérieures de votre maison sont ouvertes pendant une période de temps prolongée ou d'autres personnes entrent dans une pièce, Smart Fan peut passer à une vitesse de ventilateur supérieure pour compenser l'augmentation de chaleur. Cela vous évite de devoir régler la vitesse du ventilateur vous-même.

## Réglage de l'horloge

- ⑩ Appuyez sur le bouton Set Hour (régler l'heure) pour voir le réglage actuel. Le chiffre affiché est l'heure approximative (heure seulement). Utilisez le bouton ▲ et le bouton ▼ pour modifier le réglage. ASSUREZ-VOUS DE RÉGLER A.M. ET P.M. CORRECTEMENT. (P.M. est indiqué par un voyant rouge dans le coin supérieur gauche de l'affichage).

## Réglage de la minuterie

REMARQUE: Réglez l'HORLOGE (Set Hour) avant de tenter de régler les fonctions de la minuterie.

Vous pouvez régler les heures de départ (Start Time) et d'arrêt (Stop Time) avec un écart minimum d'une heure entre elles et un écart maximum de 23 heures entre elles.

- ⑪ Après avoir réglé l'heure, appuyez sur le bouton Set Hour une fois (la lumière Start s'allume). Utilisez le bouton ▲ et le bouton ▼ pour sélectionner l'heure à laquelle l'unité se mettra en marche (START).
- ⑫ Après avoir sélectionné l'heure de départ (Start Time), appuyez sur le bouton Set Hour une fois. (La lumière d'arrêt s'allume.) Utilisez le bouton ▲ et le bouton ▼ pour sélectionner l'heure à laquelle l'unité s'arrêtera (STOP). Après avoir sélectionné l'heure d'arrêt, appuyez sur le bouton Set Hour une fois.

- ⑬ Appuyez sur le bouton Timer On/Off (la lumière s'allume) pour activer la fonction minuterie. Pour désactiver cette fonction, appuyez sur le bouton Timer On/Off encore une fois (la lumière s'éteint). Une fois les heures de mise en marche et d'arrêt choisies, elles demeureront en mémoire et se répéteront tous les jours jusqu' à ce qu' elles soient changées.

REMARQUE : Si l'unité est débranchée ou si le courant est interrompu, l'HEURE doit être réglée à nouveau sinon la minuterie Timer On/Off ne fonctionnera pas au moment désiré.

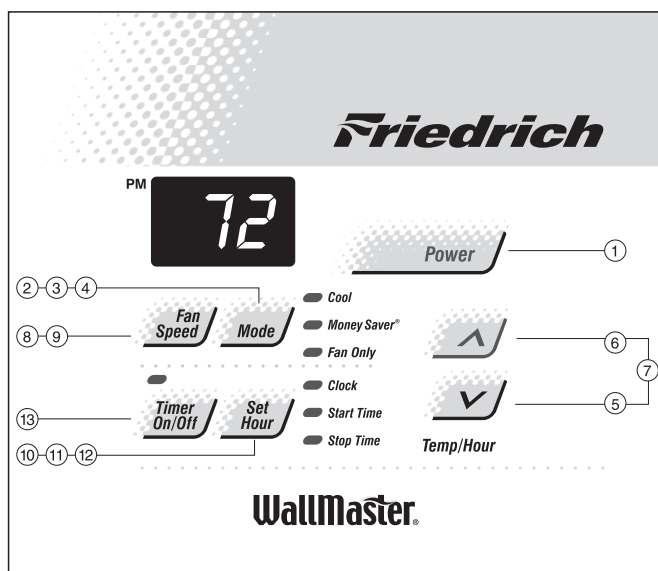


Figure 1 : Panneau de commande du modèle WS à refroidissement seulement

## Pour activer MoneySaver (modèles WY/WE)

- ⑭ Appuyez sur le bouton MoneySaver pour activer la fonction MoneySaver. Le voyant indiquera qu' elle est utilisée.

MoneySaver® est une fonction qui synchronise le ventilateur avec le compresseur de manière à ce que le ventilateur ne fonctionne pas constamment. Cela économise de l'énergie et améliore la déshumidification. MoneySaver® fonctionnera aussi pour vérifier la température si le cycle d' arrêt est trop long. Ou encore, vous pouvez préférer que le ventilateur fonctionne constamment pour un plus grand mouvement de l'air. (Pour retourner au mode de ventilateur continu, appuyez sur le bouton Mode deux fois de plus).

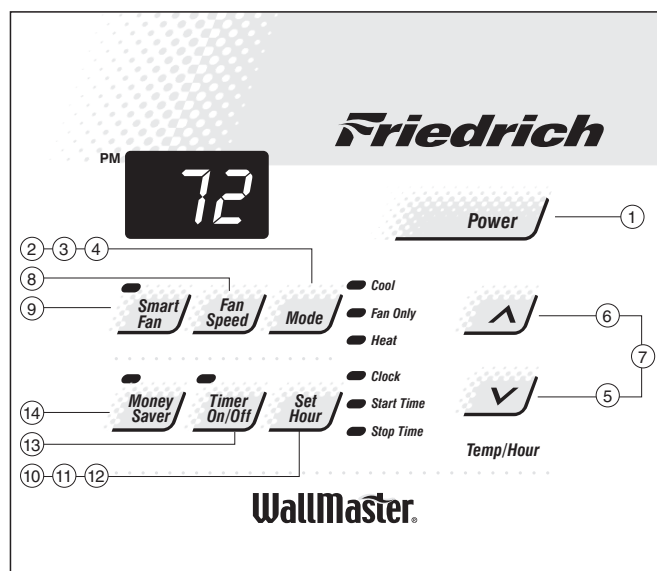


Figure 2 : Panneau de commande du modèle WY/WE à refroidissement et chauffage

## Protection automatique des composants

Cet appareil est équipé d'une Protection automatique des Composants.

Pour protéger le compresseur de l'appareil, un délai de trois minutes se produit si l'appareil est arrêté ou s'il y a une panne de courant. Le ventilateur n'est pas affecté.

Quand on passe de mode **Cool** (refroidissement) à **Fan Only** (ventilateur unique) avec un retour à **Cool** (froid), il se produit aussi un délai de trois minutes avant la remise en marche du compresseur.

# Utilisation de la télécommande

## Pour mettre l'unité en marche

- ① MISE EN MARCHÉ - appuyez sur le bouton Power une fois. L'unité se mettra automatiquement en marche dans le mode et à la vitesse de ventilateur choisis lorsqu'elle a été éteinte.

## Pour régler le mode de fonctionnement

- ② FROID - appuyez sur le bouton Cool pour passer automatiquement au mode de fonctionnement COOL.
- ③ VENTILATEUR UNIQUE - appuyez sur le bouton Fan Only si vous désirez faire fonctionner le ventilateur uniquement.
- ④ CHALEUR (modèles WY/WE seulement) - appuyez sur le bouton Heat pour passer automatiquement en mode fonctionnement HEAT.
- ⑤ MoneySaver® - appuyez sur le bouton MoneySaver® pour activer la fonction MoneySaver®. Cette fonction permet de synchroniser le ventilateur avec le compresseur de manière à ce que le ventilateur ne fonctionne pas constamment.

## Pour régler la température

- ⑥ PLUS CHAUD - appuyez sur le bouton ↗ Warmer pour augmenter le réglage de la température.
- ⑦ PLUS FROID - appuyez sur le bouton ✓ Cooler pour baisser le réglage de la température.

## Pour régler la vitesse du ventilateur

- ⑧ VITESSE DU VENTILATEUR - appuyez sur le bouton Fan Speed pour voir le réglage actuel. Appuyez à nouveau pour changer la vitesse du ventilateur. F1 est le réglage le plus bas (RÉGLAGE DE NUIT/BAS), F2 est MOYEN, F3 est ÉLEVÉ et SF est le réglage SMART FAN.

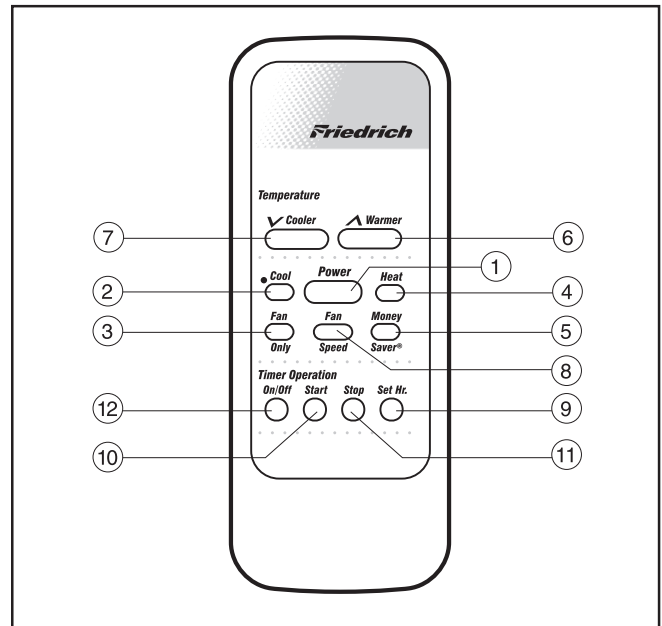
## Pour régler l'horloge

- ⑨ RÉGLER L'HORLOGE - appuyez sur le bouton Set Hr. une fois pour voir le réglage actuel. Continuez à appuyer sur le bouton jusqu'à ce que vous arriviez à l'heure actuelle (heure seulement). Les minutes ne sont pas affichées à l'écran. Assurez-vous que le réglage A.M./P.M. est correct.

## Pour régler la minuterie

REMARQUE: Vous pouvez régler les heures de départ (START) et d'arrêt (STOP) avec un écart minimum d'une heure entre elles et un écart maximum de 23 heures entre elles.

- ⑩ DÉPART DE LA MINUTERIE - appuyez sur Start pour voir l'heure actuelle de mise en marche du climatiseur. Continuez à appuyer sur le bouton START jusqu'à ce que vous arriviez à l'heure de départ désirée. L'heure de départ du climatiseur sera alors réglée.



**Figure 3: télécommande du modèle WY/WE à refroidissement et chauffage**

D'autres télécommandes sans fil RC1 peuvent être achetées chez votre concessionnaire Friedrich.

- ⑪ ARRÊT DE LA MINUTERIE - appuyez sur le bouton Stop. Continuez à appuyer sur le bouton STOP jusqu'à ce que vous arriviez à l'heure d'arrêt désirée. L'heure d'arrêt du climatiseur sera alors réglée.
- ⑫ MINUTERIE MARCHÉ / ARRÊT - Appuyez sur le bouton On/Off (sous Timer Operation) pour activer (la lumière s'allume) ou désactiver (la lumière s'éteint) la minuterie. Une fois les heures de mise en marche et d'arrêt choisies, elles demeureront en mémoire et se répéteront tous les jours jusqu'à ce qu'elles soient modifiées.

REMARQUE: Si l'unité est débranchée ou si le courant est interrompu, la fonction Set Hr. doit être réinitialisée, sinon la fonction Timer On/Off ne fonctionnera pas.



## Nettoyage du filtre

Le climatiseur Friedrich est équipé d'un filtre de type Permafoam réutilisable, avec un traitement germicide qui n'est pas affecté par le lavage. Le filtre est utilisé pour enlever la poussière, le pollen et les autres impuretés de l'air.

**MAINTENANCE DE LA PROPRIÉTÉ DU FILTRE** - Un filtre obstrué et sale réduit le rendement de l'appareil et contribue à la formation de givre sur le serpentin interne. Il faut prendre soin d'inspecter le filtre tous les 7 ou 10 jours. La procédure d'inspection du filtre est simple, grâce à la construction unique du panneau avant décoratif Friedrich.

**ACCÈS AU FILTRE** - Pour enlever la grille d'admission du panneau avant décoratif, prendre la grille fermement aux coins supérieurs droit et gauche. Tirer jusqu'à ce que la grille soit libérée des agrafes de retenue. L'incliner vers soi, la soulever et la sortir des agrafes de retenue. Ceci expose le filtre à air. Tirer sur le filtre pour l'extraire. Laver le filtre dans de l'eau savonneuse très chaude, rincer, serrer légèrement pour enlever l'excès d'eau, secouer et sécher, ne pas tordre, et remettre en place dans les deux supports de l'appareil. Pour remettre la grille d'admission en place, mettre le bas de la grille dans les agrafes inférieures. Faire basculer le panneau avant vers le haut, vers l'appareil. Appuyer légèrement sur le haut et la grille se met automatiquement en position dans les agrafes supérieures.

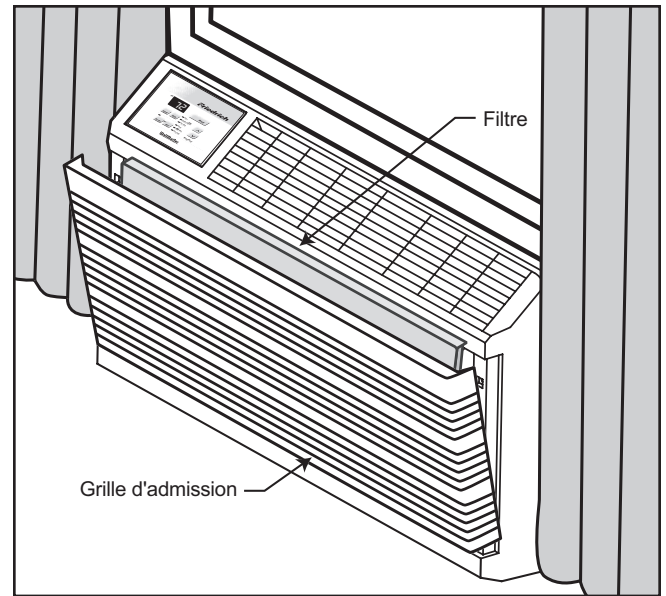


Figure 4

## Comment changer la direction de l'écoulement d'air

La GRILLE DE DÉCHARGE est installée en usine pour fournir un écoulement d'air dans la pièce de 45° vers le haut. (Direction 1 dans la figure 5.) Si vous désirez un écoulement d'air vertical (direction 2), la direction peut être modifiée en pivotant la GRILLE DE DÉCHARGE.

Débranchez le climatiseur.

Retirez le DISPOSITIF DE RETENUE DE LA GRILLE DE DÉCHARGE fixé au moyen d'une vis dans le côté droit de la grille.

Retirez la GRILLE DE DÉCHARGE des fentes de retenue près des COMMANDES et faites pivoter la grille comme dans la figure 5.

Réinstallez la GRILLE DE DÉCHARGE en la plaçant dans ses fentes de retenue. Remplacez le DISPOSITIF DE RETENUE DE LA GRILLE DE DÉCHARGE avec la vis de retenue. L'unité est maintenant prête à être utilisée.

## Comment couvrir les trous du panneau isolant intérieur

Deux bouchons beiges sont compris dans le sac en plastique collé au châssis du WallMaster avec du ruban. Ces bouchons peuvent être utilisés pour couvrir les deux trous restant après avoir enlevé le panneau isolant intérieur (voir la figure 5). Les bouchons doivent être fixés avant d'installer le cadre DÉCORATIF AVANT.

## Exigences électriques

**IMPORTANT:** Avant de commencer l'installation de votre climatiseur, vérifiez les codes électriques locaux et les renseignements ci-dessous.

## ⚠ AVERTISSEMENT



**Danger D'électrochoc**

**Utilisez une protection de circuit.**

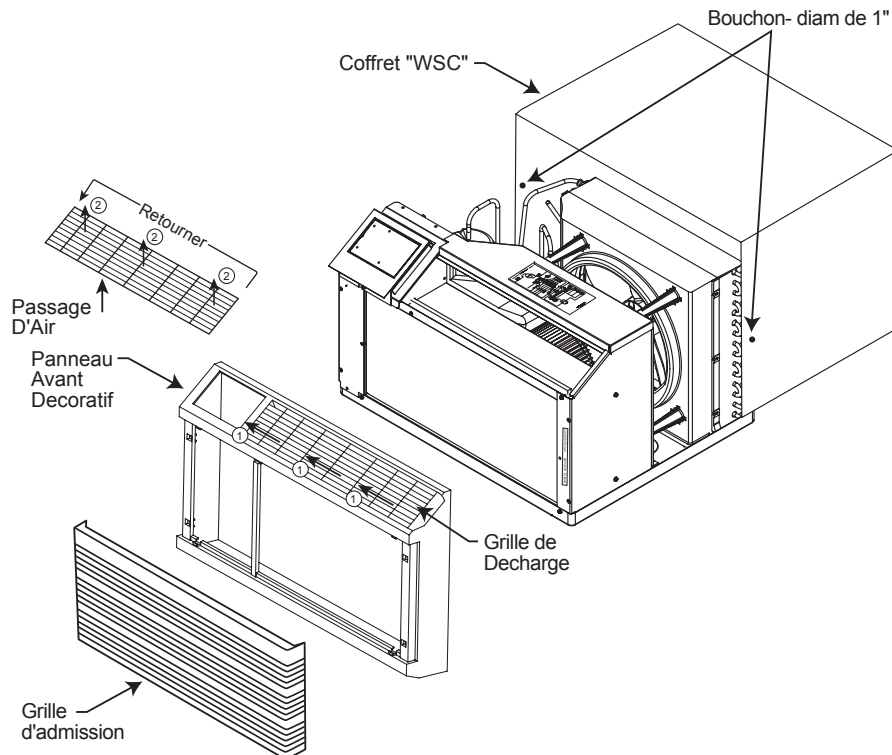
**Ne pas suivre ces instructions peut provoquer la mort, un incendie, ou un électrochoc.**

Votre climatiseur doit être relié à une source d'alimentation ayant la même tension en c.a. et la même capacité en hertz qui sont indiquées sur la plaque d'identification de l'unité située sur le châssis. Seul le courant alternatif (c.a.) peut être utilisé. Consultez les pages 3 et 7 pour connaître le bon type de prise de courant de votre modèle.

Un circuit surchargé provoquera invariablement des défaillances ou des pannes du climatiseur; par conséquent, il est extrêmement important que la puissance électrique et que le câblage soient adéquats. Consultez votre concessionnaire ou la compagnie d'électricité en cas de doute.

**PROTECTION DU CIRCUIT** - Avant d'installer ou de repositionner votre climatiseur individuel Friedrich, vérifiez l'intensité du disjoncteur ou du fusible à fusion lente. Reportez-vous à la plaque d'identification située sur le châssis du climatiseur pour déterminer la bonne intensité de fusible ou de disjoncteur de votre modèle. L'intensité **NE DOIT PAS** dépasser la valeur indiquée sur la plaque d'identification. Si le climatiseur est relié à un circuit protégé par un fusible, un fusible à fusion lente doit être utilisé à cause des demandes de courant élevées momentanées lors de la mise en marche du climatiseur.

**Figure 5**





### N'utilisez jamais de rallonge avec le climatiseur

Le climatiseur Friedrich est équipé d'un cordon avec une fiche à 3 broches (à la terre) pour vous protéger contre les électrocutions; il faut le brancher dans une prise à trois broches correctement mise à la terre. Si la prise n'a que deux broches, il faut la remplacer par une prise à trois broches avec mise à la terre, conformément à tous les règlements nationaux et locaux. En aucun cas vous ne devez enlever la broche de mise à terre de la prise. Il faut utiliser la fiche à trois broches fournie avec le climatiseur.

NE COUPEZ JAMAIS NI N'ENLEVEZ LA BROCHE DE MISE À LA TERRE.

### Le cordon d'alimentation

À leur sortie d'usine, tous les climatiseurs individuels Friedrich possèdent un cordon d'alimentation équipé d'un interrupteur détecteur de courant de fuite (LCDI). Cet interrupteur est conforme aux normes UL (Underwriter's Laboratory) et NEC (Code national de l'électricité), en vigueur depuis le mois d'août 2004, pour les cordons d'alimentation branchés à des climatiseurs.

Pour tester votre cordon d'alimentation:

1. Branchez le cordon d'alimentation dans une prise à la terre de trois (3) broches.
2. Appuyez sur le bouton de redémarrage (RESET) (Figure 6).
3. Appuyez sur le bouton TEST (lorsque vous entendez un déclic, le bouton de redémarrage se déclenche et jaillit).
4. Appuyez et relâchez le bouton de redémarrage (RESET) (lorsque vous entendez un déclic, le bouton de redémarrage se verrouille et reste à l'intérieur). Le cordon d'alimentation est opérationnel.

**REMARQUE:** L'interrupteur détecteur de courant de fuite (LCDI) ne peut pas être utilisé comme commutateur.

Une fois qu'il est branché, l'appareil fonctionnera normalement sans qu'il soit nécessaire de redémarrer l'interrupteur détecteur de courant de fuite (LCDI).

Si l'appareil ne se déclenche pas lorsqu'il est testé ou si le cordon d'alimentation est endommagé, il doit être remplacé par un nouvel exemplaire obtenu du fabricant. Nous vous recommandons d'appeler notre service d'assistance technique au 1-800-541-5645, poste 662. Afin d'accélérer le processus, veuillez avoir à la portée de la main les numéros de modèle et de série.

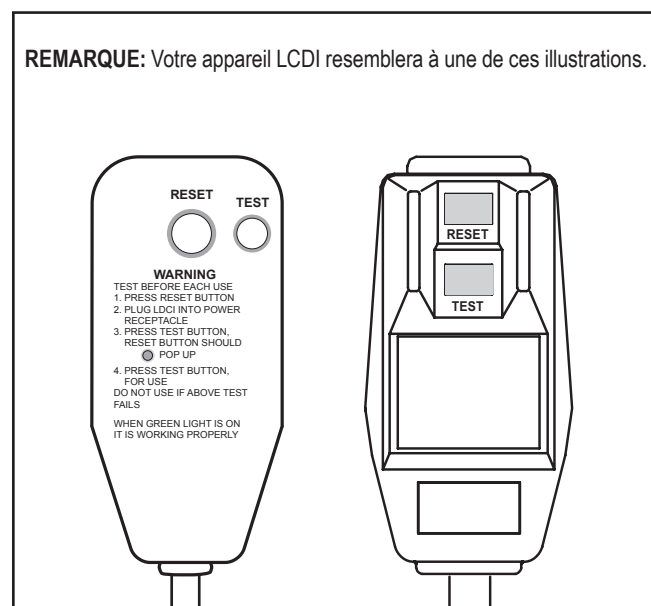


Figure 6

# Guide de dépannage et maintenance

## Pas de refroidissement

Si votre climatiseur fonctionne, mais qu'il ne refroidit pas, vérifiez si les commandes sont bien ajustées. Attendez trois minutes avant de régler le thermostat à une température plus basse afin de vérifier le réglage. Vérifiez le filtre et nettoyez-le avec attention si cela est nécessaire. Vérifiez que la port d'aération est fermée. Vérifiez que le joint d'étanchéité du châssis est installé (voir page 14 pour l'installation du châssis).

## Pas de chauffage (seulement pour les modèles avec chauffage et refroidissement)

Si l'appareil fonctionne, mais ne chauffe pas, déterminer si les commandes sont réglées correctement. Régler le thermostat à la température la plus élevée pour déterminer s'il fonctionne. Inspecter aussi le filtre et le nettoyer soigneusement, si nécessaire.

## Odeurs de chauffage (seulement pour les modèles avec chauffage et refroidissement)

Il est possible de sentir une odeur de fumée la première fois que le chauffage se met en marche. Ceci est courant pour n'importe quel système de chauffage pour une première utilisation au début de l'hiver. L'odeur est causée par la combustion de la poussière et d'autres particules accumulées pendant les mois chauds. L'odeur se dissipe rapidement.

## L'appareil ne fonctionne pas

Si l'appareil ne fonctionne pas, vérifier que le cordon d'alimentation est branché correctement. Constater si le fusible est grillé, le disjoncteur déclenché ou le détecteur de courant de fuite (LCDI) déclenché (voir page 39 pour les instructions au LCDI). Remettre le disjoncteur à l'état initial ou remplacer le fusible grillé par un fusible temporisé de la bonne capacité. La capacité du fusible est indiquée dans ces instructions. Après avoir remis l'appareil sous tension, attendre trois minutes avant de le mettre en marche.

## Givre sur le serpentin interne

Certaines conditions de fonctionnement peuvent produire du givre sur le serpentin interne. Pendant le refroidissement, un filtre sale ou un débit d'air limité en combinaison avec un temps frais et humide peut causer un tel problème. Si le serpentin interne se recouvre de givre pendant le refroidissement, mettre la commande sur FAN (VENTILATEUR) et laisser le ventilateur fonctionner jusqu'à ce que le givre soit complètement éliminé. Le réglage du thermostat à une température légèrement plus élevée évite généralement le retour du givre.

## Nettoyage du panneau avant décoratif

Il est possible de nettoyer le panneau avant décoratif du climatiseur Friedrich, ainsi que le boîtier tout entier, avec de l'eau chaude et un détergent doux. En cas de conditions de fonctionnement difficiles, il peut être nécessaire de nettoyer régulièrement le serpentin interne, le serpentin externe et le plateau pour maintenir le bon rendement de l'appareil. Ce nettoyage doit être fait par un distributeur Friedrich.

## AVERTISSEMENT



### **Danger D'électrochoc**

**Déconnectez l'alimentation avant intervention.**

**Remettez tous les composants et panneaux avant la mise en route.**

**Ne pas faire cela peut provoquer la mort ou un électrochoc.**

## Informations à connaître concernant les pompes à chaleur

Pendant le fonctionnement de la pompe à chaleur, il est possible de remarquer des faits qui ne se produisaient pas pendant le refroidissement.

1. Il est normal d'avoir une accumulation de givre sur le serpentin extérieur de la pompe de chaleur WallMaster. Le givre est formé par le passage de l'air extérieur humide sur les surfaces froides (température inférieure à 0°C, 32 °F).
2. La pompe à chaleur lance automatiquement un cycle de dégivrage quand il y a formation de givre sur le serpentin extérieur. Le compresseur s'arrête et le ventilateur continue à fonctionner. La résistance électrique est mise en marche pour continuer à chauffer la pièce pendant que l'air extérieur dégivre le serpentin extérieur. Après le dégivrage, l'appareil se remet automatiquement en mode de pompe à chaleur.
3. Il est normal d'avoir de la vapeur qui s'élève du serpentin extérieur pendant le dégivrage. Ceci est similaire à une haleine visible par temps froid.
4. Si la température extérieure ou la température du serpentin est inférieure à 43 °F (9 °C) pendant le cycle de chauffage, la pompe à chaleur WallMaster® passe automatiquement au chauffage par résistance électrique et continue sur ce mode tant que la température extérieure reste inférieure à 43 °F (9 °C).

# Instructions d'installation pour l'enveloppe WSC

## ⚠ AVERTISSEMENT

### Danger de Chute d'Object

Ne pas suivre les instructions d'installation pour le montage de votre climatiseur peut provoquer des dégâts corporels, des blessures, ou la mort.



## Matériel fourni pour le montage

N° DE RÉF	DESCRIPTION	QUANT
1	VIS, N° 12A X 2"	7

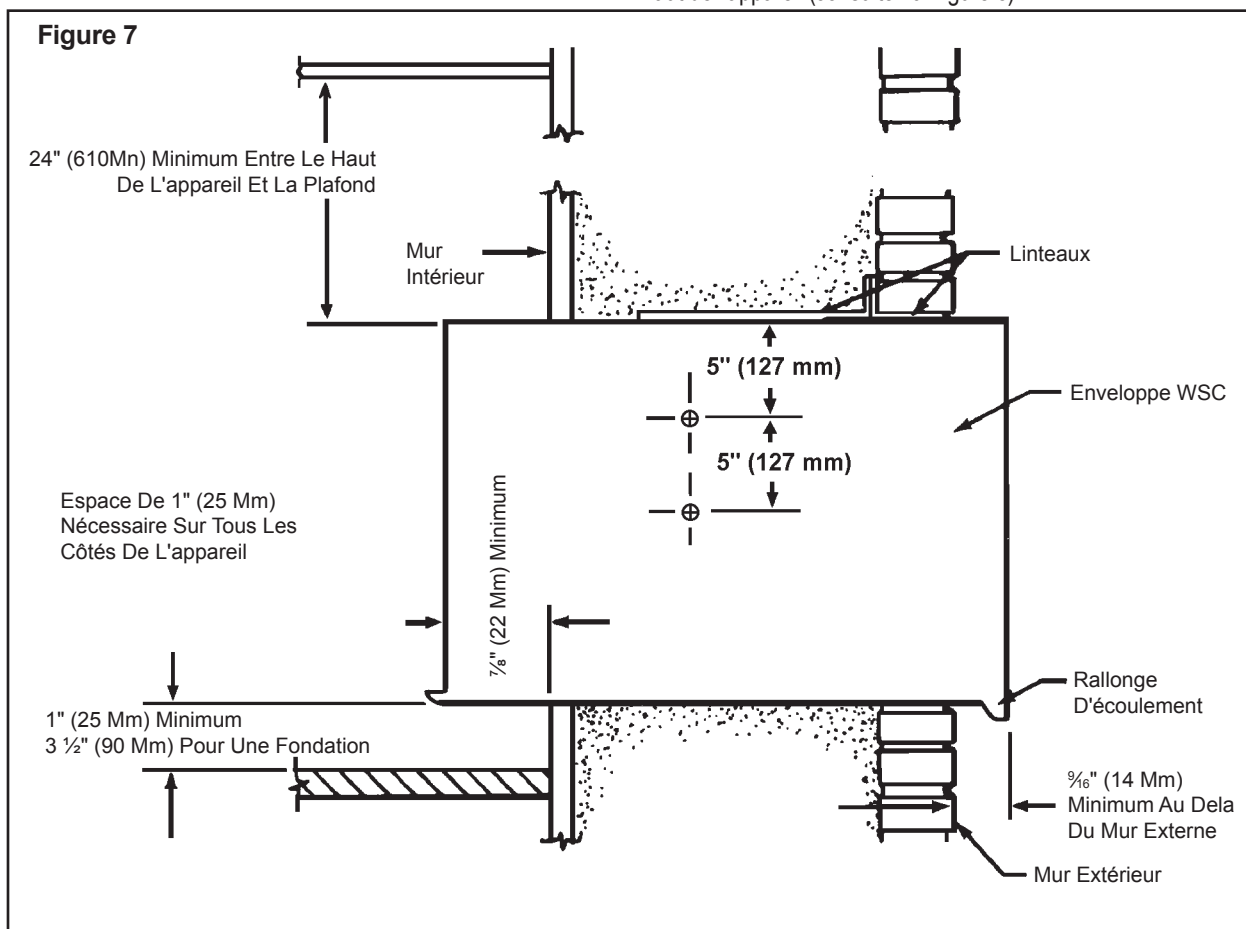
## Préparation du mur

**ETAPE 1** Pour une enveloppe WSC, l'ouverture du mur doit mesurer 17 ¼" de haut par 27 ¼" de large (438 mm x 692 mm).

**ETAPE 2** Il faut utiliser des linteaux dans les ouvertures de murs à parement de brique ou de maçonnerie pour supporter les matériaux au-dessus de l'enveloppe WSC. Il faut toujours considérer les éléments suivants.

A. Il faut avoir une fondation SB ou un équivalent pour une construction à panneaux façade ou pour des murs d'épaisseur inférieure à 8" (200 mm).

B. Il faut allouer une distance de 1" (25 mm) sur tous les côtés entre l'appareil et le mur ou le sol. Quand une fondation est utilisée, il faut une distance minimum de 3 ½" (90 mm) entre le sol et l'enveloppe. Pour minimiser les risques de cycles courts du compresseur, il faut avoir une distance d'au moins 24" (610 mm) entre le plafond et le haut de l'appareil (consulter la Figure 8).



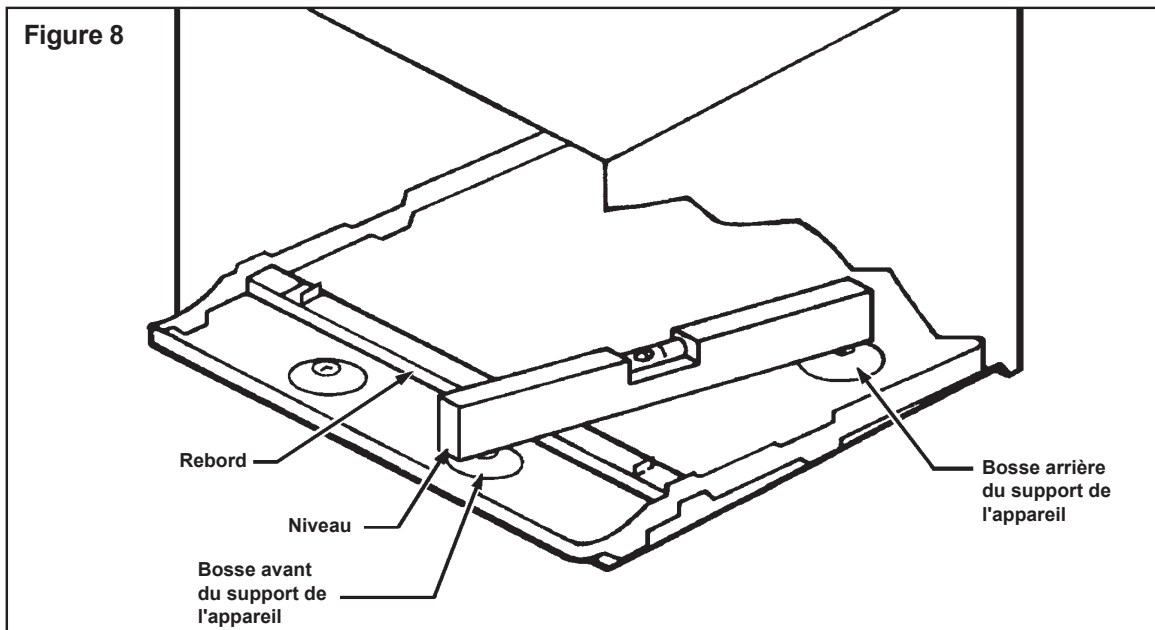
## Besoins lors de l'installation

- ÉTAPE 1** L'enveloppe WSC doit être mise en place de façon que la rallonge d'évacuation s'étende d'au moins 9/16" (1,5 mm) au-delà du mur externe (Figure 7)..
- ÉTAPE 2** L'enveloppe WSC doit s'étendre d' au moins 7/8" (2 cm) au- delà du mur interne.
- ÉTAPE 3** L'enveloppe WSC doit être nivelée latéralement.

- ÉTAPE 4** Il faut installer l'enveloppe WSC avec une légère pente vers l'extérieur du bâtiment. Mettre le niveau pour qu' il repose sur les bosses avant et arrière du support de l' appareil, comme montré sur la Figure 8. La pente ne doit pas dépasser une demi-bulle.

**ATTENTION** - Observer les projections de l'enveloppe et les précautions de nivellement pour empêcher l'entrée de l'eau dans la pièce.

<b>AVIS</b>	Observer les projections de l'enveloppe et les précautions de nivellement pour empêcher l'entrée de l'eau dans la pièce.
-------------	--



## Installation de l'enveloppe

- ÉTAPE 1** Après avoir déballé l'enveloppe WSC du carton, enlever le panneau avant ondulé. Mettre l'enveloppe WSC dans l'ouverture en suivant les instructions fournies dans Paramètres d'installation. Attacher l'enveloppe sur l'intérieur du mur avec deux vis n° 12A x 2" de chaque côté de l'enveloppe (Figure 7). Mettre des cales en haut de l'enveloppe, au milieu. Visser une vis n° 12A x 2 en haut de l'enveloppe, près des cales. Installer les vis de l'intérieur de l'enveloppe. Si l'ouverture n'a pas de cadre en bois, utiliser des boulons à coquille d'expansion ou des boulons à ailettes (pas fournis).

Veillez noter qu'il restera deux vis n° 12A supplémentaires non utilisées.

- ÉTAPE 2** Après avoir installé l'enveloppe, vérifier de nouveau le niveau pour vous assurer que la pente d'une demibulle vers l'extérieur a été maintenue.
- ÉTAPE 3** Mettre du mastic tout autour de l'ouverture, à l'intérieur et à l'extérieur, entre l'enveloppe et le mur.
- ÉTAPE 4** S'il faut faire de la maçonnerie ou si le châssis WSC est installé à une date ultérieure, remettre en place le panneau avant ondulé enlevé à l'étape 1.

## Directives d'installation du châssis WallMaster pour les modèles WS, WE et WY (caisson WSC-A)

Ces directives sont fournies pour l'installation du châssis du climatiseur WallMaster à modèles avec caissons dans le mur. Ce châssis a été approuvé par l'UL avec le caisson indiqué sur la plaque d'identification de ce châssis. Des renseignements importants relatifs à la garantie se trouvent aux pages 17 et 18. Gardez des directives dans un endroit pratique au cas où vous auriez besoin d'un service de garantie.

**ÉTAPE 1** Vérifiez le caisson pour vous assurer qu'il est correctement installé dans le mur. Retirez le panneau avant ondulé du CAISSON WSC. Retirez le PANNEAU MÉTÉOROLOGIQUE arrière. Inversez la grille. Placez le rebord inférieur dans l'onglet du caisson (le logo Friedrich orienté vers l'extérieur). Alignez les fentes avec les trous de vis. Fixez la grille avec les vis.

- A. Vérifiez les vis d'ancrage. Il devrait y en avoir quatre (4) dans le CAISSON WSC (deux de chaque côté).
- B. Déterminez si le caisson est incliné vers le bas vers l'extérieur, de la moitié d'une bulle sur un niveau. Reportez-vous à la page 10 pour de plus amples renseignements.
- C. Assurez-vous que le caisson a été scellé autour des rebords au moyen d'un produit de calfeutrage de type industriel à l'extérieur et à l'intérieur pour empêcher la pluie d'entrer.
- D. Un joint d'étanchéité de coffret est fourni dans le carton d'expédition du châssis. Le sortir du carton, enlever la feuille de protection de la surface adhésive et l'installer dans le coffret (adhésif vers le bas).

**ÉTAPE 2** Vérifiez la prise électrique pour s'assurer qu'elle est conforme aux exigences du modèle de châssis à installer. Reportez-vous aux pages 2 et 5 pour connaître les exigences de la prise.

**ÉTAPE 3** La partie avant décorative est emballée dans une boîte séparée à l'intérieur de la boîte d'expédition du châssis, entre le châssis et la boîte. Retirez cette boîte et mettez-la de côté pour le moment.

**ÉTAPE 4** Avec l'aide d'un assistant, retirez le châssis de la boîte d'expédition. Faites attention de ne pas rien laisser entrer en contact avec les bagues de retenue, car cela pourrait les endommager. Avec l'aide d'un assistant, soulevez le châssis par le plateau de base et glissez-le dans le caisson jusqu'à ce qu'il entre en contact avec la grille arrière. Avec le châssis en bonne position, le rebord avant du plateau de base doit dépasser de 12,07 cm (4 ¾ po) du rebord avant (latéral) du caisson.

**ATTENTION**

Danger concernant un poids excessif  
Faites-vous aider par quelqu'un lors de l'installation de votre climatiseur.  
Autrement vous risqueriez d'occasionner des blessures.

**ATTENTION**

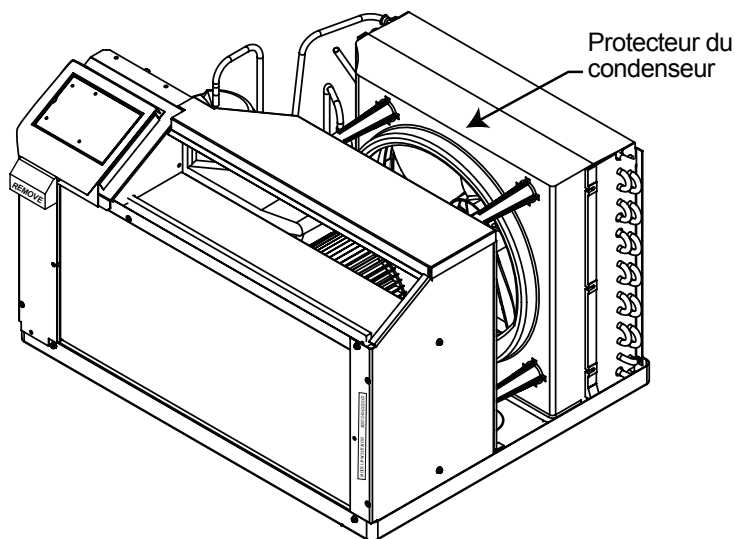


**Coupeure/Entailler**

Bien qu'un grand soin a été pris pour la protection des bords tranchants pour votre protection utilisez des gants ou d'autres protections dures.

Ne pas faire cela pourrait entraîner des blessures.

Figure 9



# Instructions d'installation du châssis WallMaster® pour les modèles WS, WE et WY (coffret WSC-B)

Ces instructions sont fournies pour l'installation d'un climatiseur à châssis WallMaster® dans un coffret traversant le mur. Ce châssis a été approuvé par l'UL avec le coffret indiqué sur la plaque d'identification du châssis. Les instructions d'utilisation précédant ces instructions donnent des renseignements importants sur la garantie. Il faut garder ces instructions dans un endroit pratique au cas où il faudrait faire des réparations sous garantie.

**ÉTAPE 1** Vérifier que le coffret est installé correctement dans le mur. Enlever le panneau avant ondulé du coffret WSC. Enlever le panneau de protection contre les intempéries en carton à l'arrière. Placer son côté inférieur dans la languette du caisson WSC (le logo de Friedrich vers le dehors). Aligner les rainures avec les trous pour les vis. Serrer la grille avec les vis.

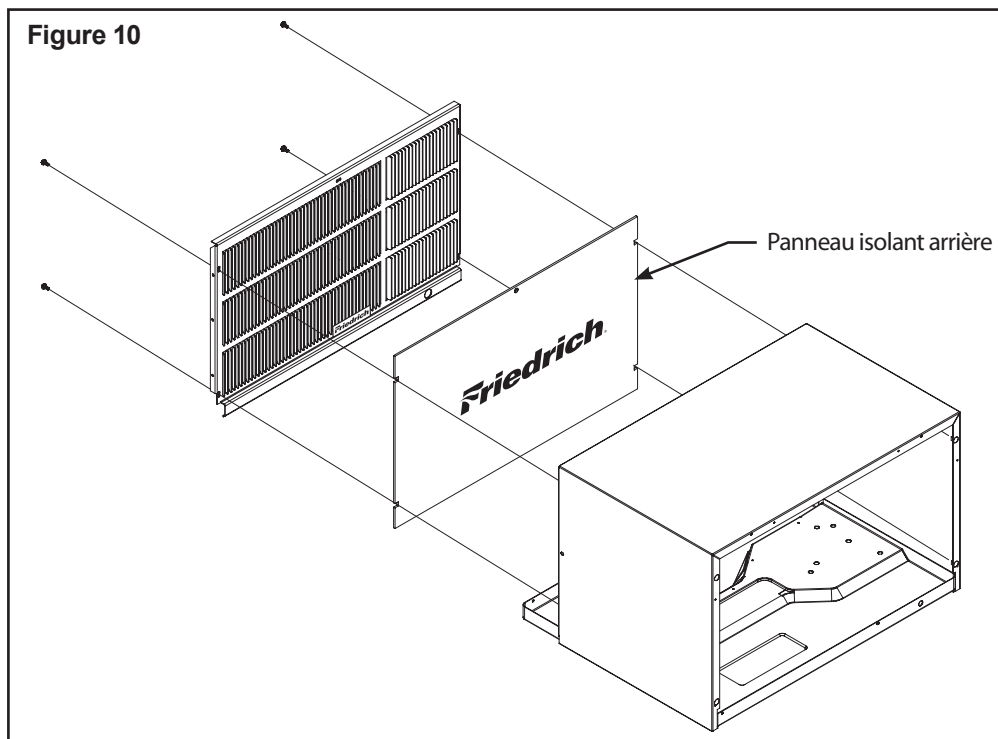
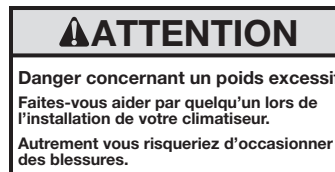
- A. Vérifiez les vis d'ancrage. Il devrait y en avoir quatre (4) dans le CAISSON WSC (deux de chaque côté).
- B. Déterminez si le caisson est incliné vers le bas vers l'extérieur, de la moitié d'une bulle sur un niveau. Reportez-vous à la page 10 pour de plus amples renseignements.
- C. Assurez-vous que le caisson a été scellé autour des rebords au moyen d'un produit de calfeutrage de type industriel à l'extérieur et à l'intérieur pour empêcher la pluie d'entrer.

- D. Un joint d'étanchéité de coffret est fourni dans le carton d'expédition du châssis. Le sortir du carton, enlever la feuille de protection de la surface adhésive et l'installer dans le coffret (adhésif vers le bas).

**ÉTAPE 2** Vérifier que la prise électrique correspond au modèle du châssis à installer. Reportez-vous aux pages 2 et 5 pour connaître les exigences de la prise.

**ÉTAPE 3** Le panneau avant décoratif est emballé dans une boîte séparée à l'intérieur du carton d'expédition du châssis, entre le châssis et le carton. Sortir cette boîte et la mettre de côté pour utilisation ultérieure.

**ÉTAPE 4** Sortir le châssis du carton d'expédition. Il faut faire attention de ne pas toucher les agrafes en épingle à cheveux sous peine de les endommager. Soulever le châssis du plateau et le glisser dans le coffret jusqu'à ce qu'il touche la grille arrière. Avec le châssis en position, le bord avant du plateau doit dépasser de 4 3/4" (12 cm) du bord avant du coffret.





**ÉTAPE 5 INSTALLATION DU JOINT D'ÉTANCHÉITÉ DU CHÂSSIS:** Après avoir installé l'étagère, glissez le châssis dans la garde de retenue jusqu' à environ 7,6 cm (3 po) de l'insertion complète. Enfoncez le joint d' étanchéité du châssis de 2,54 cm (1 po) profondément entre le châssis et l' étagère (voir le croquis 11). Assurez-vous que le joint d' étanchéité est installé en commençant par le coin inférieur droit. Puis, passez-le par-dessus l'a ppareil jusqu' au coin inférieur gauche. Par la suite, poussez le châssis complètement au fond de l' étagère de sorte que la devanture de plastique soit de niveau avec le devant de celle-ci.

Si le joint d'étanchéité du châssis n'est pas installé, l'appareil ne fonctionnera pas comme il se doit. Le bruit causé par le fonctionnement de l'appareil et les bruits provenant de l'extérieur seront également amplifiés.

**ÉTAPE 6** Tenir fermement la grille d'admission du panneau avant décoratif par les coins supérieurs gauche et droit et tirer sur celle-ci pour la sortir du bâti du panneau avant décoratif. Tirer ainsi jusqu'à ce que la grille sorte des agrafes de retenue supérieures. Faire basculer vers soi, la soulever et la sortir des agrafes de retenue inférieures. Mettre le bâti du panneau avant décoratif en place sur l'ouverture du coffret et l'installer sur le châssis avec quatre vis à tôle, comme montré sur la Figure 11. Pour remettre la grille d' admission en place, mettre le bas de la grille dans les agrafes de retenue inférieures. Faire basculer le panneau avant vers le haut et vers l'appareil. Appuyer doucement en haut et la grille se met en position automatiquement dans les agrafes de retenue supérieures.

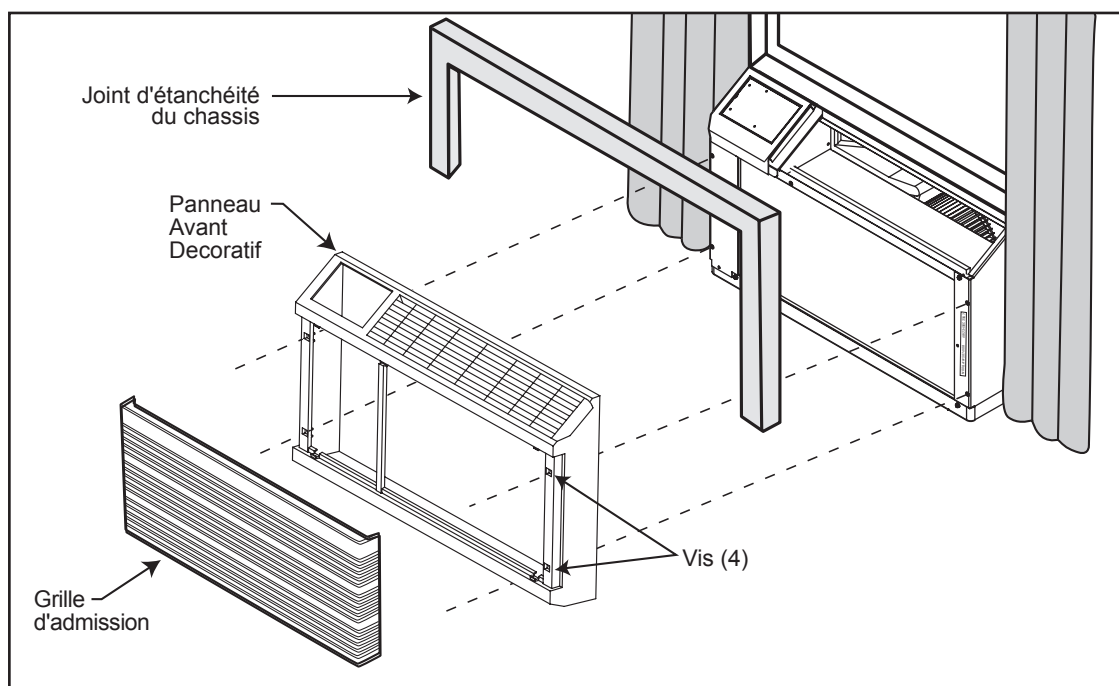


Figure 11

Attacher le bâti sur le châssis avec les quatre vis 8A- 5/8" dans les fentes du bâti et dans les trous du châssis.

### ⚠ ATTENTION

**Danger concernant un poids excessif**  
Faites-vous aider par quelqu'un lors de l'installation de votre climatiseur.  
Autrement vous risqueriez d'occasionner des blessures.

### ⚠ ATTENTION



**Danger lors du déplacement**

Remettez tous les panneaux avant de faire fonctionner votre climatiseur. Ne pas faire cela peut provoquer des blessures.

## Élimination de la condensation (modèles WS, WE et WY)

Cet appareil est fourni avec un raccord de vidange qu'il est possible d'installer sur le plateau pour permettre l'élimination de la condensation du plateau. Vous devez avoir un tuyau de 3/8" de diamètre en plastique mince ou en cuivre pour l'attacher au raccord de drainage de la condensation. Suivre les instructions suivantes.

**ÉTAPE 1** Enlever la plaque de vidange à l'arrière du plateau (consulter la Figure 12). Avec les vis de la plaque, installer le joint et le raccord de vidange sur le plateau.

**ÉTAPE 2** Enlever la pièce amovible sur le côté droit inférieur de la grille arrière. Glisser le châssis dans le coffret WSC pour que le raccord de vidange passe dans le trou de la pièce amovible.

**ÉTAPE 3** Mettez le tuyau dans le raccord de drainage de la condensation.

Il faut enlever le tuyau avant de sortir le châssis du coffret pour faire des réparations.

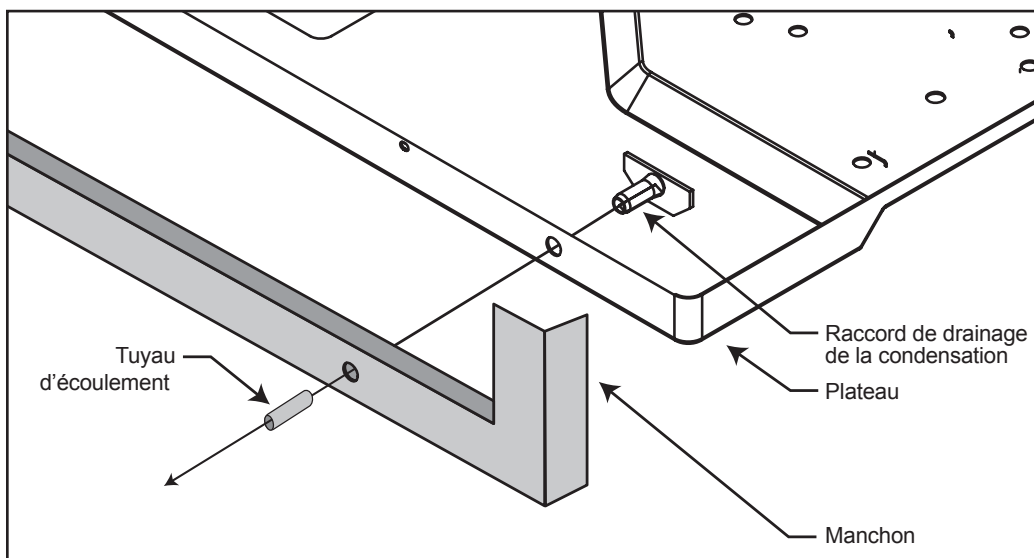


Figure 12

## Autre kits de vidange

### DK (kit de vidange)

Quand la température ambiante tombe au-dessous de 37 °F (3 °C), l'eau restant dans le bassin du plateau est vidée dans le plateau du coffret des modèles WE et WY pour éviter le gel. (REMARQUE - Il est possible d'avoir un débordement quand les modèles WS, WE et WY sont utilisés en mode de refroidissement dans des climats très humides). Pour ces cas particuliers, un kit de vidange en option (accessoire n° DK) est offert pour éliminer l'eau.

### IDK (kit de vidange intérieur)

Les nouvelles constructions permettant l'installation de systèmes de purge de condensation dans les murs peuvent utiliser le kit de vidange intérieur de Friedrich (accessoires n° IDK) développé pour installation au bas du coffret, la condensation sous la valve (modèles avec chauffage et refroidissement seulement).



Friedrich Air Conditioning Co.  
Post Office Box 1540  
San Antonio, Texas 78295-1540  
(210) 357-4400  
www.friedrich.com

## Garantie limitée – Climatiseurs WallMaster THRU-THE-WALL Friedrich

### PREMIÈRE ANNÉE

**TOUTES LES PIÈCES** - Si, dans les 12 mois suivant la date d'achat initial, une pièce fournie par FRIEDRICH est défectueuse en raison d'un défaut de main d'oeuvre ou de matériel, FRIEDRICH réparera le produit gratuitement, pourvu qu'il soit raisonnablement facile d'obtenir accès au climatiseur pour le réparer. Toute main d'oeuvre nécessaire pour déposer des appareils d'accès difficile et/ou les frais de déplacement (kilométrage) par le centre de réparation, au delà de 25 miles (40km) dans un sens seulement, sont soumis à la responsabilité du propriétaire. Ce recours est expressément accepté comme le seul recours dans les 12 mois suivant la date d'achat initial.

### DEUXIÈME À CINQUIÈME ANNÉE

**SYSTEME DE RÉFRIGÉRATION ÉTANCHE** - Si le système de réfrigération étanche (dans le cadre de cette garantie, défini comme le compresseur, le serpentin de condenseur, le serpentin d'évaporateur, la vanne d'inversion, le clapet de non-retour, le tube capillaire, le filtre-déshydrateur et tous leurs tubes de raccordement) faisant partie du climatiseur FRIEDRICH sont défectueux en raison d'un défaut de main d'oeuvre ou de matériau dans les 60 mois à compter de la date d'achat initiale, FRIEDRICH paiera une allocation pour les frais de main d'oeuvre et les pièces nécessaires pour réparer le système de réfrigération étanche. FRIEDRICH ne paiera pas les frais de diagnostic du problème, de retrait (removal), de transport du climatiseur jusqu'au centre de réparation et de retour ni les frais de repose associés à la réparation du système de réfrigération étanche. Tous ces frais sont à la charge du propriétaire. Ce recours est expressément accepté comme le seul recours dans les 60 mois suivant la date d'achat initiale.

**CONDITIONS D'APPLICATION ET LIMITATIONS** - Cette garantie s'applique à tous les appareils vendus au détail aux États-Unis, dans le District de Columbia et au Canada. Cette garantie ne s'applique pas:

1. aux filtres à air ni aux fusibles ;
2. aux produits dont le numéro de modèle et le numéro de série ont été enlevés ;
3. aux produits dont les défauts ou dégâts ont été causés par une mauvaise installation, un mauvais câblage, une alimentation de mauvaise tension ou par un mauvais entretien; ni causés par un accident, une mauvaise utilisation ou des utilisations abusives, un incendie, des inondations, des modifications et/ou une mauvaise application du produit et/ou des appareils installés dans une atmosphère corrosive, problèmes ou délais de réparation causés par actes de guerre, des restrictions ou limitations par le gouvernement, des grèves, des manquements de matériel en dehors du contrôle de FRIEDRICH ou par des cas de force majeure.

**OBTENTION DE RÉPARATION SOUS GARANTIE** - Le service sera fourni par un distributeur agréé par FRIEDRICH ou un centre de réparation dans la région. Ils sont indiqués dans les Pages Jaunes. S'il faut de l'assistance pour obtenir des réparations sous garantie, écrire à Room Air Conditioner Service Manager, Friedrich Air Conditioning Co., P.O. Box 1540, San Antonio, Texas 78295-1540.

**LIMITATIONS - CETTE GARANTIE A ÉTÉ DONNÉE EN REMPLACEMENT DE TOUTE AUTRE GARANTIE. Indépendamment de cette garantie, TOUTE GARANTIE SOUS-ENTENDUE D'APPLICATION POUR UN BUT PARTICULIER ET/OU DE COMMERCIALISATION EST LIMITÉE À LA DURÉE DE LA GARANTIE EXPRESSE. LE FABRICANT SPÉCIFIQUEMENT DÉCLINE ET REFUSE TOUTE RESPONSABILITÉ POUR LES DOMMAGES INDIRECTS OU SECONDAIRES POUR INEXÉCUTION DE TOUTE GARANTIE EXPRESSE OU SOUS-ENTENDUE.**

**REMARQUE** - Certaines provinces ne permettent pas les limitations sur la longueur de la garantie sous-entendue ou ne permettent pas la limitation ni l'exclusion des dommages indirects ou secondaires, il est donc possible que ces exclusions et limitations ne s'appliquent pas à un cas spécifique.

**AUTRE** - Cette garantie donne des droits spécifiques et il est possible que le propriétaire ait d'autres droits qui varient d'une province à l'autre.

**PREUVE D'ACHAT** - Le propriétaire doit fournir la preuve d'achat pour pouvoir recevoir des services sous garantie.

Tous les appels ayant pour but d'expliquer le fonctionnement de ce produit sont à la charge du consommateur.

Toute réparation sous garantie doit être faite par un agent de réparation agréé par **FRIEDRICH**, sauf en cas d'autorisation préalable par FRIEDRICH.

Friedrich se soucie de votre satisfaction avec ce produit. Pour obtenir de l'assistance supplémentaire concernant cette garantie, contacter:

RAC Warranty, Service and Parts  
Friedrich Air Conditioning Co.  
P.O. Box 1540  
San Antonio, TX 78295-1540

### Formulaire d'enregistrement de garantie personnel

**ENREGISTREMENT DE LA GARANTIE:** Remplissez et envoyez immédiatement cette carte d'enregistrement de garantie (pas ce formulaire) à Friedrich. Bien que non obligatoire pour obtenir une satisfaction sous garantie, elle enregistre la garantie, facilitant et accélérant la vérification de la période de garantie et nous permet de vous contacter pour vous informer en cas de réparation ou de rappel de produit.

Ou enregistrement sur internet sur [www.friedrich.com](http://www.friedrich.com) (États-Unis seulement)..

**POUR VOTRE DOSSIER:** REMPLISSEZ LES RENSEIGNEMENTS SUIVANTS AU MOMENT DE L'INSTALLATION DE L'APPAREIL, POUR CONSULTATION ULTÉRIEURE.

N° de modèle. \_\_\_\_\_ N° de série \_\_\_\_\_ Date d'installation \_\_\_\_\_

Acheté chez: \_\_\_\_\_

\_\_\_\_\_

(nom du distributeur)

(personne à contacter)

\_\_\_\_\_

(adresse du distributeur)

\_\_\_\_\_

(n° de téléphone)

**IL FAUT TOUJOURS UTILISER DES PIÈCES D'ORIGINE FRIEDRICH.  
L'UTILISATION DE PIÈCES D'UNE AUTRE SOURCE PEUT ANNULER LA GARANTIE.**







***Friedrich***<sup>®</sup>

**FRIEDRICH AIR CONDITIONING CO.**

Post Office Box 1540 • San Antonio, Texas 78295-1540  
4200 N. Pan Am Expressway • San Antonio, Texas 78218-5212  
210) 357-4400 • FAX (210) 357-4480

[www.friedrich.com](http://www.friedrich.com)

Printed in the U.S.A.

920-007-14 (05-08)