



INSTALLATION INSTRUCTIONS ARCHITECTURAL GRILLE MODEL AG

These instructions cover the installation on an Architectural Grille, Model AG, into a WSC model solid-side sleeve. The Architectural Grille must be installed just prior to the installation of the air conditioner chassis.

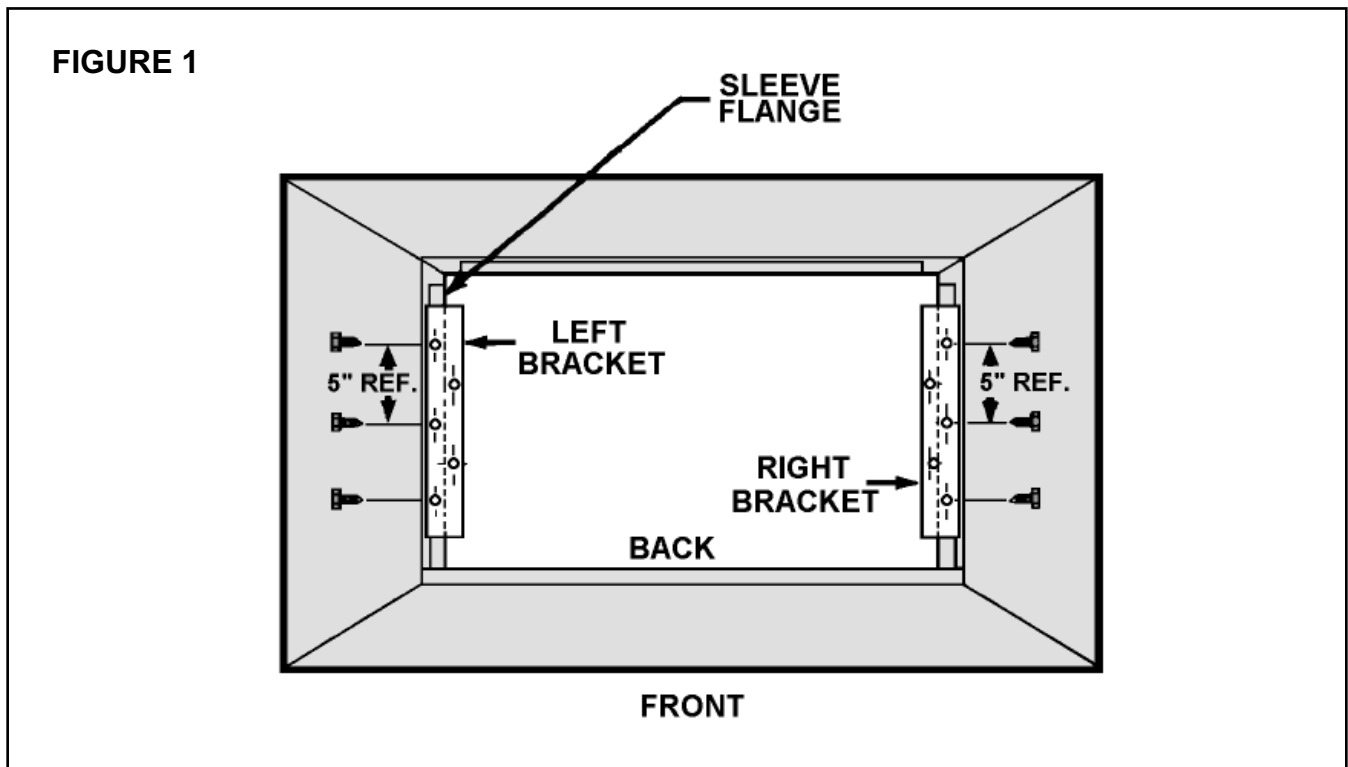
The contents of the package are:

1. AG Architectural Grille
2. Brackets, 2 each
3. Fiber strap
4. Screws (10 each)
5. Instructions

Tools required for installation: A flat-blade screwdriver or 1/4" hex. nut driver.

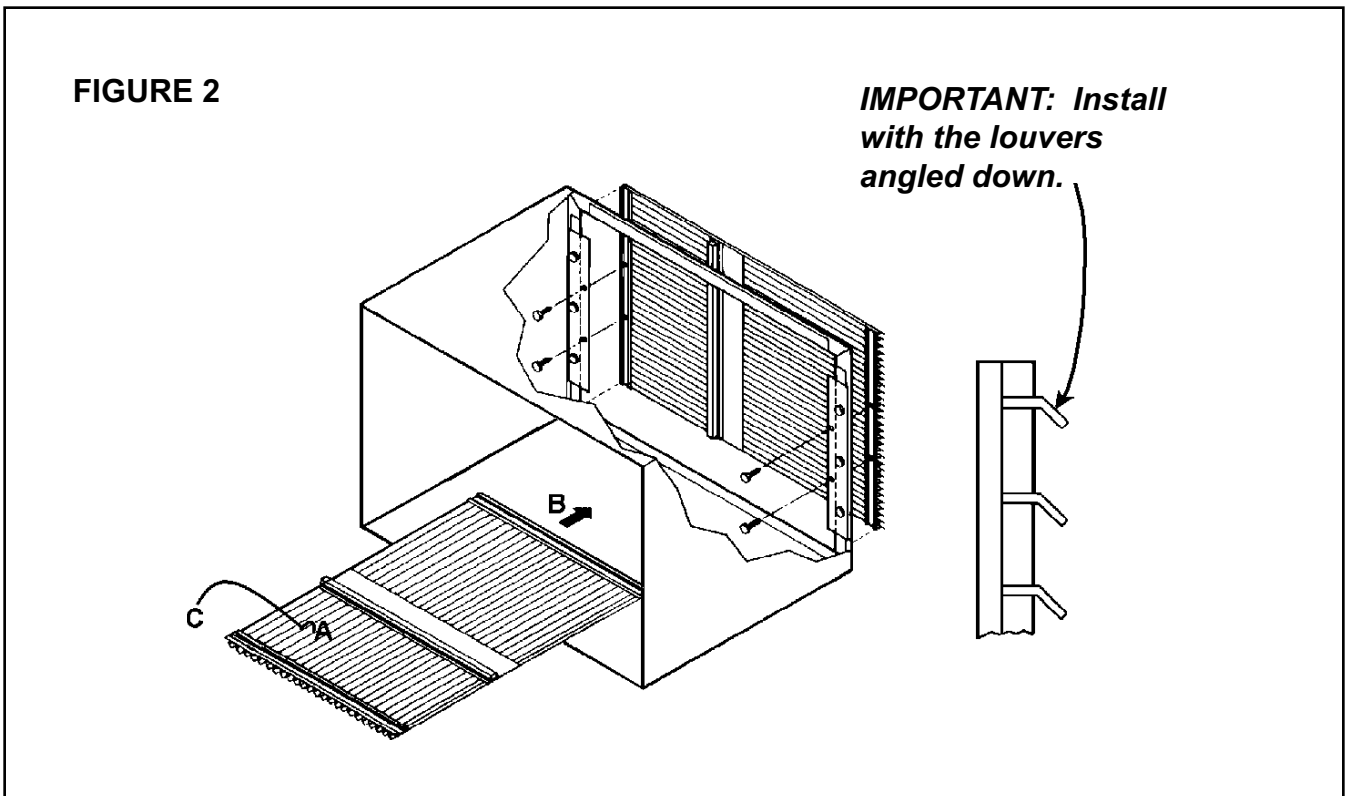
STEP 1. WSC sleeve should have been installed as specified in the Sleeve Installation Instructions. Remove the front closure panel, louvered metal grille and back weather panel in the sleeve. Should the air conditioner chassis be in the sleeve, remove the chassis and the louvered metal grille using proper procedures.

STEP 2. Install the mounting brackets. The brackets are not interchangeable. See Figure 1 below to identify the correct bracket. Position the left bracket on the left flange inside of the WSC sleeve, towards the back, so that the three holes on the bracket line up with the holes on the sleeve flange (same holes used to mount the louvered grille just removed). Mount with the three screws provided. Repeat the procedure to install the right side bracket. See Figure 1.



STEP 3. Install Grille — See Figure 2.

- A. If the sleeve is installed in a wall above the ground floor, tie the fiber strap provided to one of the horizontal louvers. Tie the other end to any stationary object to prevent damage or injury if the grille is accidentally dropped.
- B. Pass the grille out through the rear opening. Locate the grille so that the louvers are pointing to the outside and down. The mounting holes in the left and right vertical rails must match up with the open holes in the brackets. Fasten the grille with the remaining screws provided. Tighten the screws.
- C. Remove the fiber strap.
- D. Slide the air conditioner chassis into the sleeve according to the chassis instructions.



Friedrich

Friedrich Air Conditioning Co.

Post Office Box 1540 • San Antonio, Texas 78295-1540

4200 N. Pan Am Expressway • San Antonio, Texas 78218-5212

(210) 357-4400 • FAX (210) 357-4480

www.friedrich.com