

Room Air Conditioners

Standard Chassis Models

QuietMaster
PROGRAMMABLE

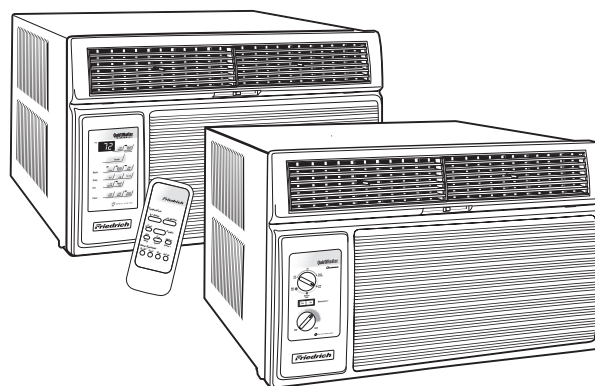
115-Volt: SS08, SS10, SS12, SS14
230-Volt: SS12, SS16, SM18, SM21, SM24

QuietMaster

115-Volt: KS12, KS15
230-Volt: KM18, KM24, SL28, SL36

Twintemp

115-Volt: YS09
230-Volt: YS13, YM18, YL24, ES12, ES16, EM18, EM24, EL36



Register your air conditioner

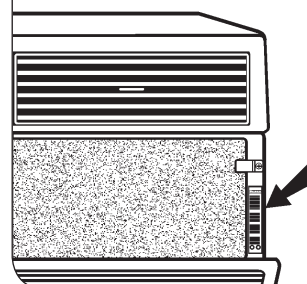
Model information can be found on the name plate behind the front cover.

Please complete and mail the owner registration card furnished with this product, or register online at www.friedrich.com (USA only). For your future convenience, record the model information here.

MODEL NUMBER

SERIAL NUMBER

PURCHASE DATE



Congratulations!

You have purchased the very latest in room air conditioner technology. Your new Friedrich high efficiency room air conditioner will give you many years of dependable service. Many extra features have been built into your Friedrich air conditioner to assure quiet operation, the best circulation of cool, dry air, functional controls, and the most economical operation.

Table of contents

Air Conditioner Operation

Your safety and the safety of others.....2

Before Operating Your Unit.....3

For the best cooling performance and highest energy efficiency3

How to operate your Friedrich room air conditioner4

QuietMaster Programmable models

To Start Unit4

To Set Mode of Operation4

MoneySaver® Feature.....4

To Adjust Temperature4

To Adjust Fan Speed4

To Activate Smart Fan.....4

To Set Hour Clock4

To Set The Timer.....4

Automatic Component Protection4

How to Use the Remote Control5

QuietMaster “K” / Twintemp

To Start Unit6

To Set Mode of Operation6

To Adjust Temperature6

MoneySaver® Feature.....6

Care & Maintenance / Fresh Air & Exhaust Control

Removing/Cleaning the Filter7

Fresh Air & Exhaust Control7

Air Conditioner Installation

Electrical Requirements/Cabinet Dimensions8

Installation Hardware9

Standard Sash Window Installations10

Through-the-wall Installations15

Troubleshooting Tips18

Accessories18

Warranty19

Your safety and the safety of others are very important.

We have provided many important safety messages in this manual and on your appliance. Always read and obey all safety messages.



This is a safety Alert symbol.
This symbol alerts you to potential hazards that can kill or hurt you and others.
All safety messages will follow the safety alert symbol with the word “WARNING” or “CAUTION”. These words mean:



You can be killed or seriously injured if you do not follow instructions.



You can receive minor or moderate injury if you do not follow instructions.

All safety messages will tell you what the potential hazard is, tell you how to reduce the chance of injury, and tell you what will happen if the instructions are not followed.



A message to alert you of potential property damage will have the word “NOTICE”. Potential property damage can occur if instructions are not followed.

WARNING: Before operating your unit

Make sure the wiring is adequate for your unit.

If you have fuses, they should be of the time delay type. Before you install or relocate this unit, be sure that the amperage rating of the circuit breaker or time delay fuse does not exceed the amp rating listed in Figure 1.

DO NOT use an extension cord.

The cord provided will carry the proper amount of electrical power to the unit; an extension cord will not.

Make sure that the receptacle is compatible with the air conditioner cord plug provided.

This insures proper grounding. If you have a two prong receptacle you will need to have it replaced with a grounded receptacle by a certified electrician. The grounded receptacle should meet all national and local codes and ordinances. Under no circumstances should you remove the ground prong from the plug. You must use the three prong plug furnished with the air conditioner.

Test the power cord

All Friedrich room air conditioners are shipped from the factory with a Leakage Current Detection Interrupter (LCDI) equipped power cord. The LCDI device meets the UL and NEC requirements for cord connected air conditioners.

To test your power supply cord:

1. Plug power supply cord into a grounded 3 prong outlet.
2. Press RESET (See Figure 2).
3. Press TEST (listen for click; Reset button trips and pops out).
4. Press and release RESET (listen for click; Reset button latches and remains in). The power supply cord is ready for operation.

NOTE: LCDI device is not intended to be used as a switch.

Once plugged in the unit will operate normally without the need to reset the LCDI device.


If the device fails to trip when tested or if the power supply cord is damaged it must be replaced with a new supply cord from the manufacturer. We recommend you contact our **Technical Assistance Line** at (800) 541-6645 ext. 845. To expedite service, please have your model and serial number available.

⚠ WARNING

Electrical Shock Hazard

Make sure your electrical receptacle has the same configuration as your air conditioner's plug. If different, consult a Licensed Electrician.

**Do not use plug adapters.
Do not use an extension cord.
Do not remove ground prong.**



**Always plug into a grounded 3 prong outlet.
Failure to follow these instructions can result in death, fire, or electrical shock.**





MODEL	CIRCUIT RATING OR TIME DELAY FUSE		REQUIRED WALL RECEPTACLE	
	AMP	VOLT	NEMA NO.	
SS08 • SS10 • SS12 • SS14 KS12 • KS15 • YS09	15	125	5-15R	
SS12 • SS16 • SM18 SM21 • KM18	15	250	6-15R	
SM24 • SL28 • KM24 YS13 • ES12 • ES16	20	250	6-20R	
SL36 • YM18 • YL24 EM18 • EM24 • EL36	30	250	6-30R	

Figure 1

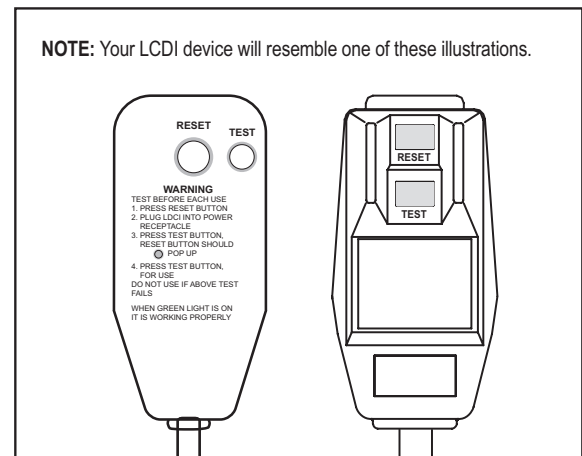


Figure 2

For the best cooling performance and highest energy efficiency

Keep the filter clean

Make sure that your air conditioner is always in top performing condition by cleaning the filter regularly. Instructions for removing and cleaning the filter can be found on page 7.

Provide good air flow

Make sure the airflow to and from the unit is clear. Your air conditioner puts the conditioned air out at the top of the unit, and takes in unconditioned air at the bottom. Airflow is critical to good operation. It is just as important on the outside of the building that the airflow around the unit exterior is not blocked.

Unit placement

If your air conditioner can be placed in a window or wall that is shaded by a tree or another building, the unit will operate even more efficiently. Using drapes or blinds on the sunny side of the dwelling will also add to your unit's efficiency.

Insulation

Good insulation will be a big help in maintaining desirable comfort levels. Doors should have weather stripping. Be sure to caulk around doors and windows.

Proper installation of seal gasket

Make sure the seal gasket has been installed properly to minimize noise and improve efficiency. If the seal gasket has not been installed, please refer to Step 14 (page 13) of the installation instructions.

Also, if you switch from **Cool** mode to **Fan Only**, and switch back to COOL mode, there is a three minute delay before the compressor comes back on.

How to operate your Friedrich room air conditioner (QuietMaster Programmable)

To start unit

- 1 If your air conditioner is installed and plugged into a proper receptacle, it is ready to go. Touch **Power** button once. The unit will automatically be in **Cool** mode with the temperature set at 75°F (24°C) and the fan speed at F1, the sleep setting. There is a 3-minute delay before the compressor will turn on. (See "Automatic Component Protection" on this page).
- 2 Should the **Check Filter** light turn on when you first turn on the unit, touch **Check Filter** to turn off the light. **Check Filter** light will come on after 250 hours of use. (See page 7 for filter cleaning instructions.) Touch **Check Filter** to reset.

To set mode of operation

- 3 When you first turn on the unit, it will be in the **Cool** mode (light on), with constant fan.
- 4 Touch **MoneySaver**® (light on) to activate the MoneySaver® feature. This cycles the fan with the compressor so that the fan does not run all the time. This saves energy and improves dehumidification. (MoneySaver® will also run the fan to sample the return air temperature if the off cycle is too long). Or you may prefer constant fan for more air movement. To return to constant fan, touch **Cool**.
- 5 Touch **Fan Only** (light on) if you want only the fan to run. You may want to use this feature in conjunction with the **Fresh Air / Exhaust** lever to bring outside air into a room, or to exhaust stale air. (See page 7, "Fresh Air and Exhaust Control" for more information.)

To adjust temperature [60°F (16°C) to 90°F (32°C)]

- 6 **COOLER** – Touch **✓** and hold until the display shows the desired room temperature.
- 7 **WARMER** – Touch **^** and hold until the display shows the desired room temperature.
- 8 **FAHRENHEIT / CELSIUS** – Touch **°F/°C** to show the temperature in Celsius, touch again to show Fahrenheit.

To adjust fan speed

- 9 Touch **1-4 Speed** to see current setting. Touch again to change speed. F1 is the lowest setting (SLEEP SETTING), F2 is low speed (LOW), F3 is medium speed (MED), F4 is high speed (HIGH).

To activate smart fan

- 10 Touch **Smart Fan** (light on). Smart Fan will adjust the fan speed automatically to maintain the desired comfort level. For example, if the outside doors in your home are open for an extended period of time, or more people enter a room, Smart Fan may adjust to a higher fan speed to compensate for the increased heat load. This keeps you from having to adjust the fan speed on your own. Smart Fan cannot be activated in the **Fan Only** mode.

To deactivate smart fan

- 11 Touch **1-4 Speed**, and select your desired fan speed.

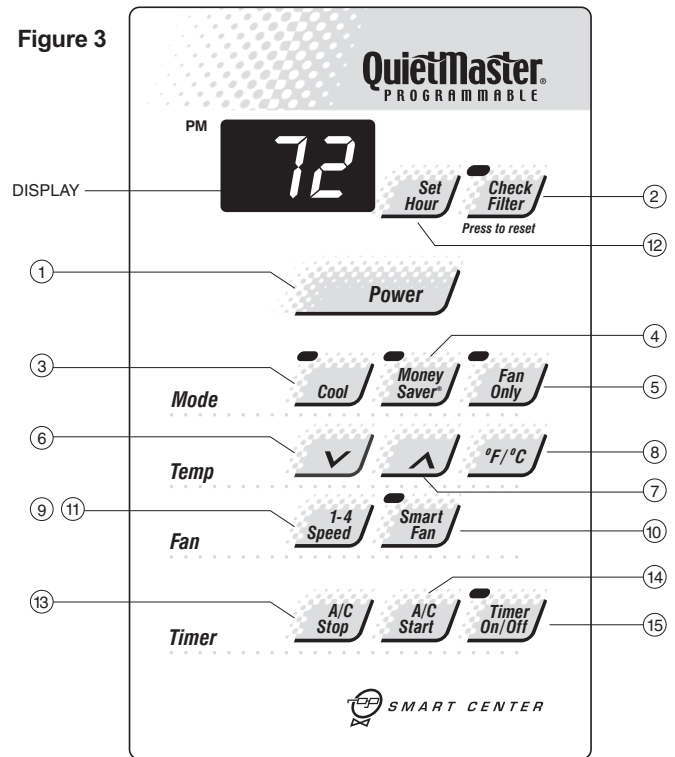
To set hour clock

- 12 Press **Set Hour** once to see the current clock setting. Continue pressing the button until the hour closest to the actual time appears in the display.

MAKE SURE YOU SET A.M. AND P.M. PROPERLY. A light will appear in the upper left corner of the display when the hour is P.M.

NOTE: Minutes will NOT show on display.

Figure 3



To set the timer

NOTE: Set Hour clock before attempting to set timer functions.

You can set the **A/C Start** and **A/C Stop** timer a minimum of one hour apart and a maximum of 23 hours apart.

- 13 **TIMER STOP** - Press the **A/C Stop** button and continue pressing until the hour you want the unit to shut off appears in the display (A.M. or P.M.). The stop time for cooling will then be set.
- 14 **START TIME** - Press **A/C Start** to view the current start time for cooling. Continue pressing until the hour you want the unit to start appears in the display (A.M. or P.M.). The start time for cooling will then be set.
- 15 Press the **Timer On/ Off** button once to activate (light on) the timer function. Touch **Timer On/ Off** again (light off) to cancel the timer function if you so desire. Once the on and off times have been selected, they will remain in memory, and cycle daily until changed.

NOTE: If unit is unplugged or power is interrupted, the **Set Hour** button must be reset or the **Timer On/ Off** functions will not work.

Automatic component protection

Your unit is equipped with Automatic Component Protection.

To protect the compressor of the unit, there is a three minute time delay if you turn the unit off or if power is interrupted. The fan will not be affected.

How to use the remote control* (QuietMaster Programmable)

To start unit

- 1 **POWER** - Press the **Power** button once. The unit will automatically turn on in the mode and fan speed it was last left on.

To set mode of operation

- 2 **COOL** - Press the **Cool** button to automatically switch the operating mode to COOL.
- 3 **FAN ONLY** - Press the **Fan Only** button if you want to run the fan only. You may want to use this feature in conjunction with the **Fresh Air/Exhaust** if you want to bring outside air into the room, or exhaust stale air. (The FRESH AIR/ EXHAUST feature is located on the front of the air conditioner near the top. See Figure 9 on page 7.)
- 4 **MoneySaver®** - Press the **MoneySaver®** button to activate the MoneySaver® feature. This cycles the fan with the compressor so that the fan does not run all the time.

To adjust temperature

- 5 **COOLER** - Press the **✓ Cooler** button to raise the temperature setting.
- 6 **WARMER** - Press the **∧ Warmer** button to lower the temperature setting.

To adjust fan speed

- 7 **FAN SPEED** - Press the **Fan Speed** button to see the current setting. Press again to change the fan speed. F1 is the lowest setting (SLEEP SETTING), F2 is low speed (LOW), F3 is medium (MED), and F4 is high (HIGH).

To set the hour clock

- 8 **SET HOUR CLOCK** - Press **Set Hour** once to see the current clock setting. Continue pressing the button until you arrive at the current time.

MAKE SURE YOU SET THE A.M. AND P.M. PROPERLY. (NOTE: MINUTES ARE NOT SHOWN ON THE DISPLAY.) A light will appear in the upper left corner of the display when the hour is P.M.

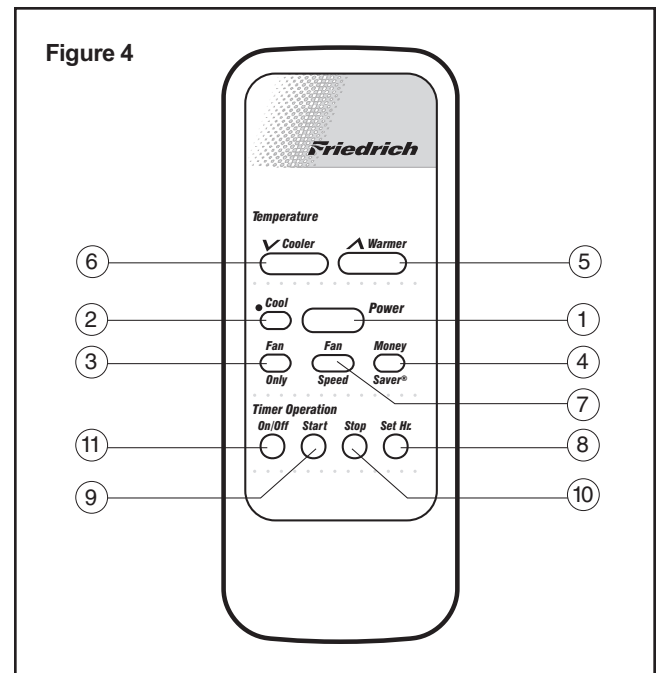
* A Friedrich RC1 wireless remote control can be used to operate all QuietMaster® Programmable models.

To set the timer

NOTE: Set the hour clock before attempting to set timer functions. You can set the timer **On/Off** a minimum of one hour apart, and a maximum of 23 hours apart.

- 9 **TIMER START** - Press **Start** to view the current start time for cooling. Continue pressing the **Start** button until you arrive at the start time you desire. The start time for cooling will then be set.
- 10 **TIMER STOP** - Press the **Stop** button. Continue pressing the **Stop** button until you arrive at the stop time you desire. The stop time for cooling will then be set.
- 11 **TIMER ON/OFF** - Press the **On/off** button once to activate (light on) or deactivate (light off) the timer. Once the **Start** and **Stop** times have been selected, they will remain in memory, and cycle daily until changed.

NOTE: If the unit is unplugged or the power is interrupted, the HOUR CLOCK must be reset or the **Timer On/off** functions will not work.



How to operate your Friedrich room air conditioner

(QuietMaster 'K' / Twintemp models)

To start unit

If your air conditioner is installed and plugged into a properly grounded receptacle, it is ready to operate.

Mode control (QuietMaster 'K')

The upper dial (Figure 5) allows you to select cooling at four different speeds, as well as Fan Only (Models SL28 and SL36 only have three cooling speeds.).

Off - to turn the unit off.

High Cool - for quick cooling.

Medium Cool - to maintain a desired temperature.

Low Cool - when cooling demand is low.

Sleep Setting - for nighttime use, or when cooling demand is low.

Fan Only - to circulate air in the room without the compressor coming on.

The **Fan Only** setting can also be used with the **Exhaust** air setting to remove stale air or smoke from the room; or it can be used with the **Fresh Air** setting to bring outside air into the room. This is especially useful in the spring and fall when cooling may not be necessary. The **Fresh Air** and **Exhaust** controls are in the upper air discharge area. The center position of this control is the normal, or closed position, which recirculates air for maximum performance in the cooling mode (See Figure 9).

Mode control (Twintemp)

This dial allows you to select cooling or heating at three different speeds, as well as **Fan Only** (Figure 6).

Off - to turn the unit off.

High Cool or **High Heat** - for quick response.

Medium Cool or **Medium Heat** - to maintain a desired temperature.

Low Cool or **Low Heat** - for nighttime use, or when demand is low.

Fan Only - to circulate air in the room without the compressor coming on.

The **Fan Only** setting can also be used with the **Exhaust** air setting to remove stale air or smoke from the room, or it can be used with the **Fresh Air** setting to bring outside air into the room, especially in the spring and fall when cooling isn't necessary.

The **Fresh Air** and **Exhaust** controls are in the upper air discharge area (see Figure 9, page 7). The center position of this control is the normal, or closed position, which recirculates air for maximum performance in the cooling mode.

NOTE: You may notice an odor when first activating the heat when the electric heat element comes on. This is due to dust burning off that may have gathered on the coil during the summer. This is normal.

Temperature control

The bottom dial on the control panel is the thermostat. Turn it clockwise for cooler temperature and counterclockwise for warmer.

Money Saver® switch

This rocker switch can be depressed to either **Yes** or **No**. In the **Yes** position you will get the most economical operation. Both the fan and compressor will cycle on and off together, maintaining the selected temperature at a more constant level and reducing the humidity more efficiently in the cooling mode. This control will only operate when the unit is in cooling or heating mode. In the **No** position, the fan will run constantly as long as the unit is in the cooling or heating mode.

NOTE: The YS09 is a 115 volt model and does not provide adequate heat below 37°F (3°C). This product is designed for warm climate applications.

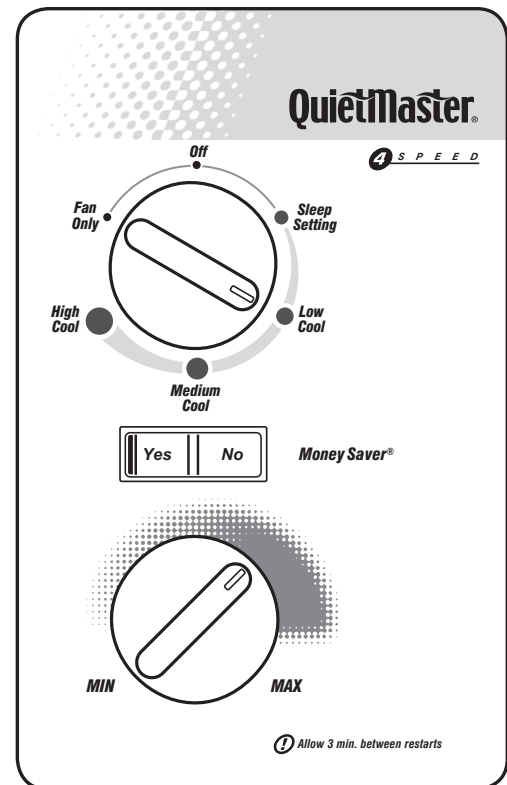


Figure 5

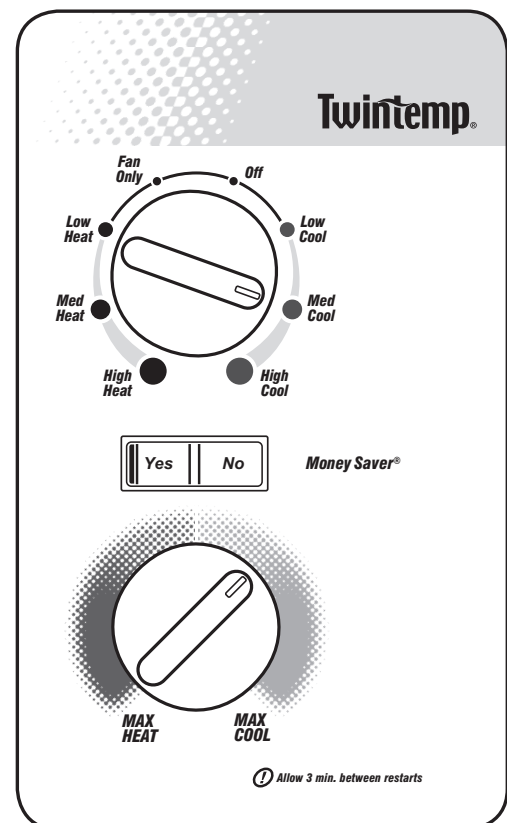


Figure 6

Care and Maintenance / Fresh air and exhaust control

To remove, wash and replace filter and return air grille

Open the return air (RA) grille by grasping it at the top outside edges and pulling towards you (See Figure 7). The RA grille will stay open until it is detached or closed (it is easier to completely detach the grille before closing it). To remove the RA grille, grasp it at the bottom and pull towards you.

The filter is held in place by two spring clips (See Figure 7). Push down on the clips, grasp the filter and pull towards you to remove it for cleaning. Clean with warm water and a mild detergent, rinse, dry completely and replace. Use caution when removing the filter. The coil surface can be sharp.

If the RA grille has been removed, pick up the grille by supporting it from both sides near the bottom (See Figure 8, Note 1). Lift return air grille and insert the grille's tabs into the bottom slots of the discharge air plenum (See Figure 8, Note 2). Snap the grille into place by pushing the grille up and onto the unit's latches at the bottom (See Figure 8, Notes 3 and 4).

Fresh air and exhaust control

Your air conditioner has the ability to bring fresh air into the room or exhaust stale air out of the room. The control lever is found on the upper part of the unit (See Figure 9).

TO BRING IN FRESH AIR - Move the lever to the **Fresh Air** position which allows outside air to enter the room. This is useful in fall and spring as a means of bringing in fresh outside air when using **Fan Only**. It can also be used in the summer with the compressor in the Cooling Mode if you wish. Normally, for most efficient operation, cooling is accomplished with this control in the middle or closed position.

TO EXHAUST INDOOR AIR - Move the lever to the **Exhaust** position. This will allow stale air to be expelled to the outside of the dwelling. This is especially handy in the spring or fall when indoor air tends to get stale, or after a social gathering involving smokers, or to remove odors after cooking.

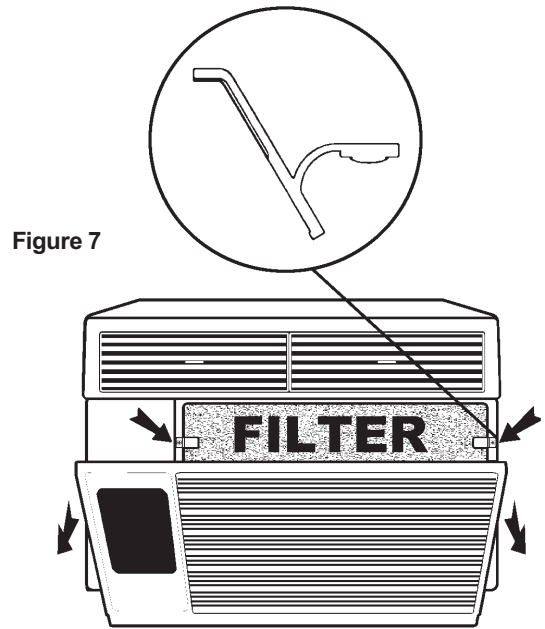


Figure 7

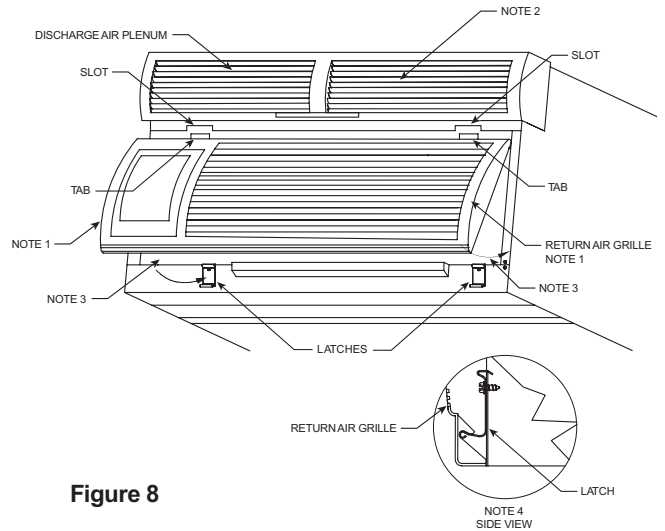


Figure 8

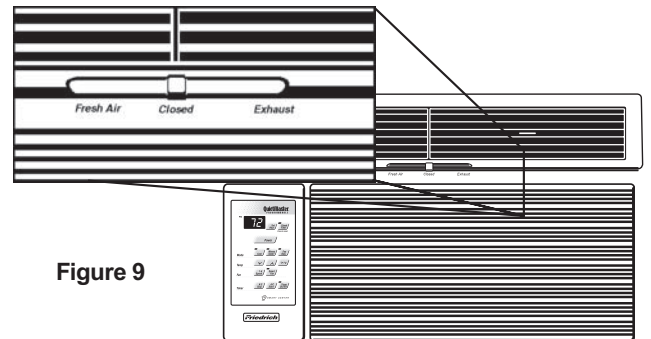
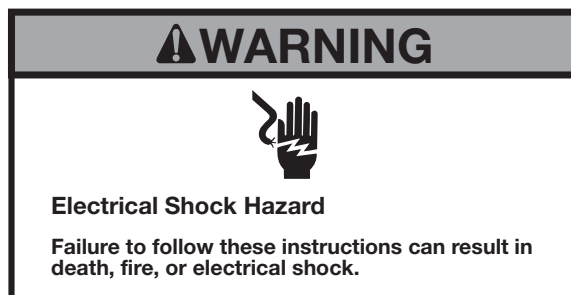


Figure 9

Installation Instructions

NOTE: This manual includes installation instructions for window mount and thru-the-wall mount methods. TwinTemp® heat/cool units are designed for permanent thru-the-wall installation. Mounting the unit in a window will require a window mounting accessory kit, available through your Friedrich dealer.



Read This First! Electrical Requirements

IMPORTANT: Before you begin the actual installation of your air conditioner, check local electrical codes and the information below.

Your air conditioner must be connected to a power supply with the same A.C. voltage and hertz as marked on the data plate located on the chassis. Only alternating current (A.C.), can be used. Direct Current (D.C.) cannot be used. Refer to page 3 for the correct type of receptacle for your model.

CIRCUIT PROTECTION - USE ON SINGLE OUTLET CIRCUIT ONLY. An overloaded circuit will invariably cause malfunction or failure of an air conditioner, therefore, it is necessary that the electrical protection is adequate. Due to momentary high current demand when your air conditioner is started, use a "TIME DELAY" fuse or a HACR type circuit breaker. Consult your dealer or power company if in doubt.

Refer to the electrical data plate located on the air conditioner chassis to determine the correct fuse or circuit breaker amperage for your model (See Figure E on Page 16 for electrical receptacle location).

The power cord has a plug with a grounding prong of approved type and a matching receptacle is required.

WARNING: NEVER CUT OR REMOVE THE GROUNDING PRONG FROM THE PLUG. NEVER USE EXTENSION CORDS TO OPERATE AN AIR CONDITIONER.

The following instructions are for standard chassis model groups distinguished by the first two letters of the model designations and cabinet sizes listed below.

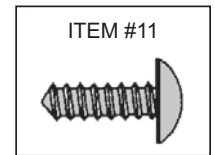
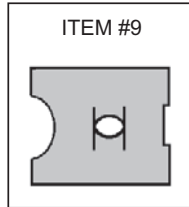
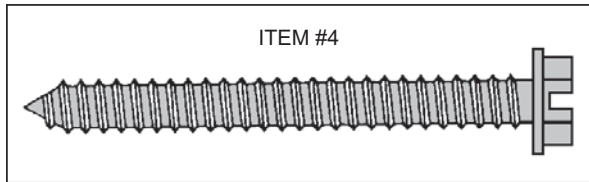
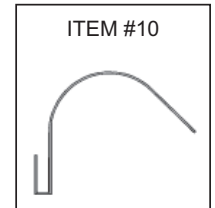
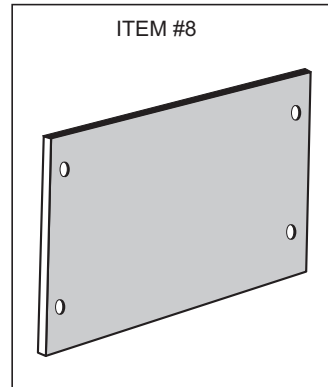
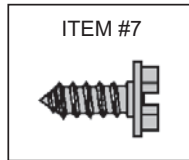
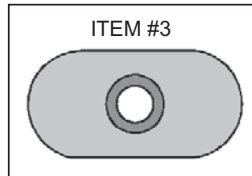
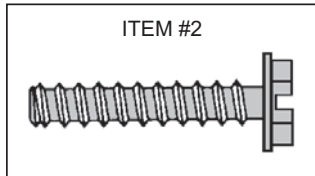
MODEL DESIGNATION	CABINET SIZE (H x W x D)
SMALL CHASSIS - SS, ES, YS, KS	15 ¹⁵ / ₁₆ " x 25 ¹⁵ / ₁₆ " x 27 ³ / ₈ " (405 mm x 660 mm x 695 mm)
MEDIUM CHASSIS - SM, EM, YM, KM	17 ¹⁵ / ₁₆ " x 25 ¹⁵ / ₁₆ " x 27 ³ / ₈ " (455 mm x 660 mm x 695 mm)
LARGE CHASSIS - SL, EL, YL	20 ³ / ₄ " x 28" x 33 ³ / ₈ " (513 mm x 711 mm x 854 mm)

**Window Mount
Installation Hardware**

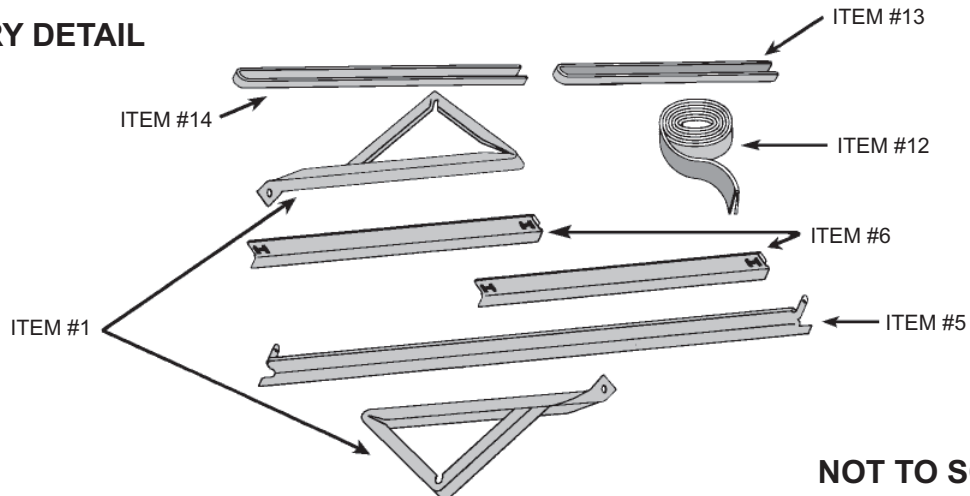
ITEM NO.	DESCRIPTION	QTY.
SHELL MOUNTING PARTS		
1	SUPPORT BRACKET	2
2	SCREW, 10-24 x 1" HEX HEAD	4
3	10-24 FLAT WELD NUT	4
4	SCREW, SHEET METAL #12A x 2"	7
WINGBOARD ANGLE MOUNTING		
5	WINGBOARD ANGLE, TOP	1
6	WINGBOARD ANGLE, SIDE	2
7	SCREW, SHEET METAL #8A x 3/8"	2
WINGBOARD MOUNTING PARTS		
8	WINGBOARD (MASONITE)	1
9	"J" TYPE SPEED NUT	4
10	WINGBOARD CLIP (SPRING STEEL)	4
11	SCREW, #8A x 1/2" PHILLIPS TRUSS HD.	4
WINDOW SEALING		
12	SEALING GASKET (VINYL)	1
13	WINDOW SEAL GASKET (DARK FOAM)	1
14	CHASSIS SEAL GASKET (LIGHT FOAM)	1

**Thru-the-wall
Installation Hardware**

ITEM NO.	DESCRIPTION	QTY.
MOUNTING PARTS		
4	SCREW, SHEET METAL #12A x 2"	7
14	CHASSIS SEAL GASKET (LIGHT FOAM)	1



ACCESSORY DETAIL



NOT TO SCALE

Standard Sash Window Installations

⚠ WARNING

Falling Object Hazard

Not following Installation Instructions for mounting your air conditioner can result in property damage, injury, or death.



- STEP 1** Remove decorative plastic return air grille to a safe area away from unit. The return air grille can be removed by pulling at the sides on either the top or bottom.
- STEP 2** Also remove the installation hardware to a safe area away from the unit.
- STEP 3** Remove the chassis retainer by removing the far right screw in the basepan (see Figure A); save this screw to reattach the chassis retainer after installation (Step 15). Also, remove and discard the two retainer screws and black plastic washers located at the rear of the unit.
- STEP 4** While an assistant holds the cabinet stationary, use the hand pull at the front of the base pan, together with the pull strap (see Figure A) to pull the chassis out of the cabinet. **REMOVE THE LARGE WHITE FOAM BLOCKS USED TO RESTRAIN THE COMPRESSOR DURING SHIPMENT.** Inspect basepan for dislodged white blocks, and remove. Do not remove any other foam parts.

STEP 5 Anchor the side angles (Item #6) by engaging the tabs at each end of the sill plate (see Figure B) with the bottom loops of the side angle. Engage the tabs at each end of the top angle (Item #5) with the top loops of the side angle (see Figure B). Install two (2) screws (Item #7) to secure the top angle tabs and the side angle to the cabinet (see Figure B).

STEP 6 Check the window sill and frame to be sure they are in good condition and firmly anchored to the wall. Repair if necessary.

STEP 7 CABINET MOUNTING – Raise the lower sash window 1/4" more than the height of the cabinet. Carefully slide the cabinet through the open window until the sill plate channel rests behind the window sill and the top support rests against the window (see Figure C.) Center side to side and drill three (3) 5/32" dia. pilot holes into the window sill using the holes in the cabinet sill plate as a guide. Install three (3) #12A x 2" long screws (Item #4, Figure C).


⚠ CAUTION

Excessive Weight Hazard

Use two or more people when installing your air conditioner.

Failure to do so can result in back or other injury.

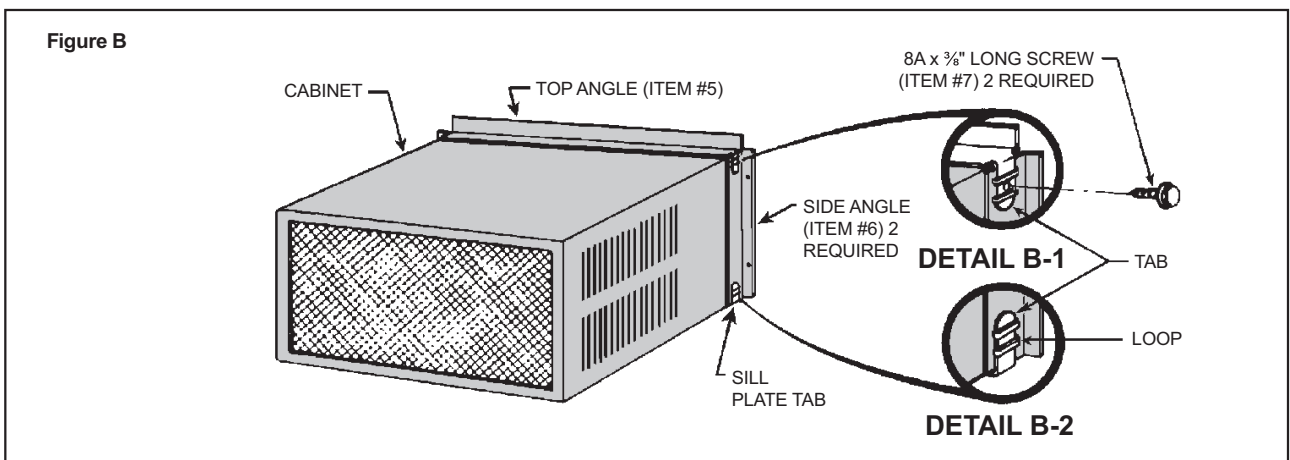
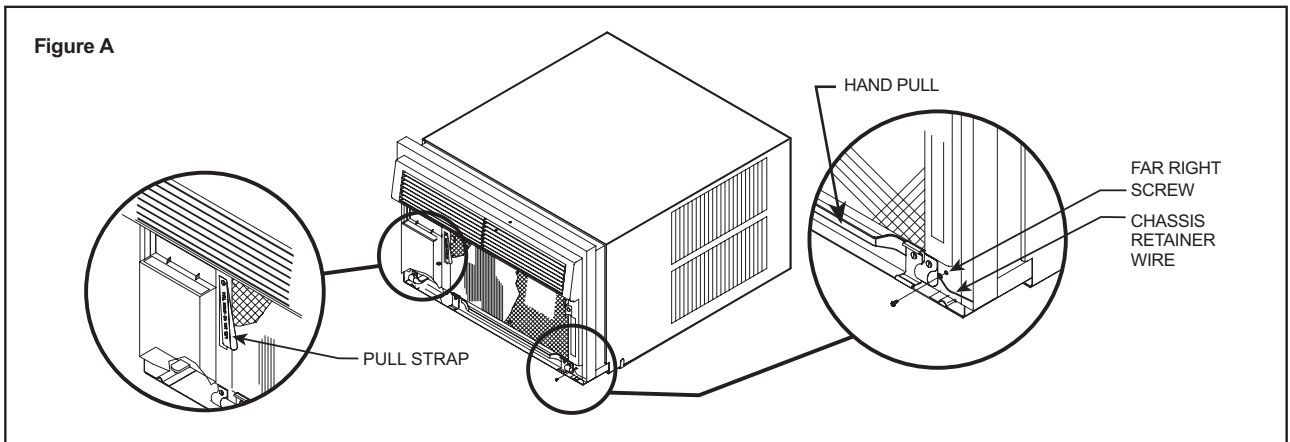
⚠ CAUTION



Cut/Sever

Although great care has been taken to minimize sharp edges in the construction of your unit, use gloves or other hand protection when handling unit.

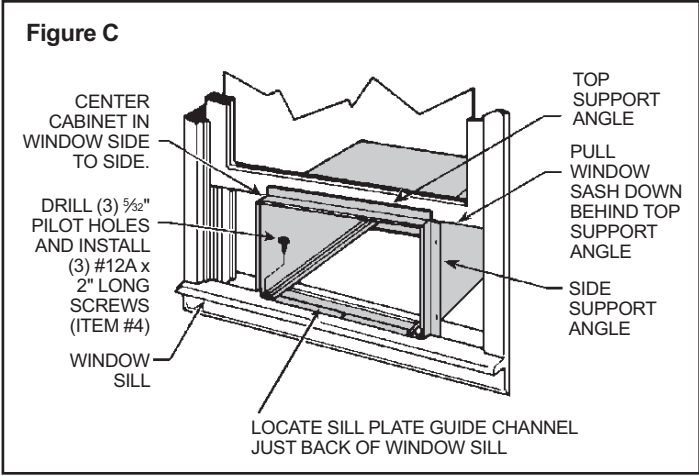
Failure to do so can result in minor to moderate personal injury.



STEP 8 OUTSIDE SUPPORT MOUNTING – Assemble the support brackets (Item #1) to the bottom rails of the cabinet with four (4) 10-24 1" long screws (Item #2) and four (4) 10-24 flat nuts (Item #3). Adjust the support brackets to bring the bottom pads in contact with the wall surface. (A 1" x 4" or 2" x 4" SPACER SHOULD BE USED BETWEEN THE WALL AND THE SUPPORT BRACKETS WHEN INSTALLED ON ALUMINUM OR VINYL SIDING). Drill $\frac{1}{2}$ " dia. pilot holes and secure the brackets to the wall with two (2) #12A x 2" long screws (Item #4). Adjust the support brackets to provide an approximate $\frac{3}{8}$ " down slope toward the outside for drainage. (See Figure D). Tighten all screws.

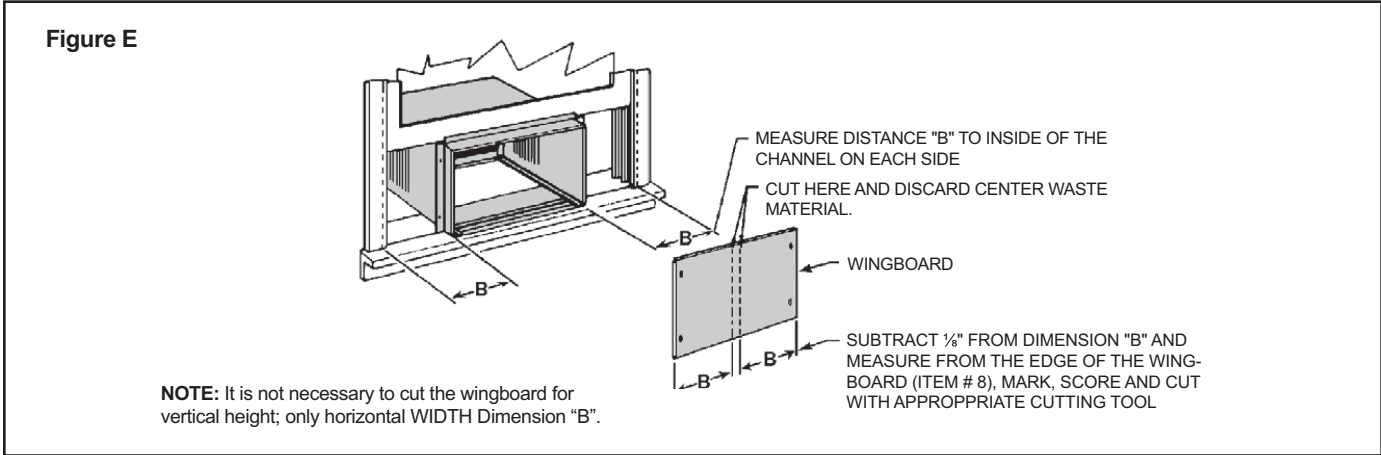
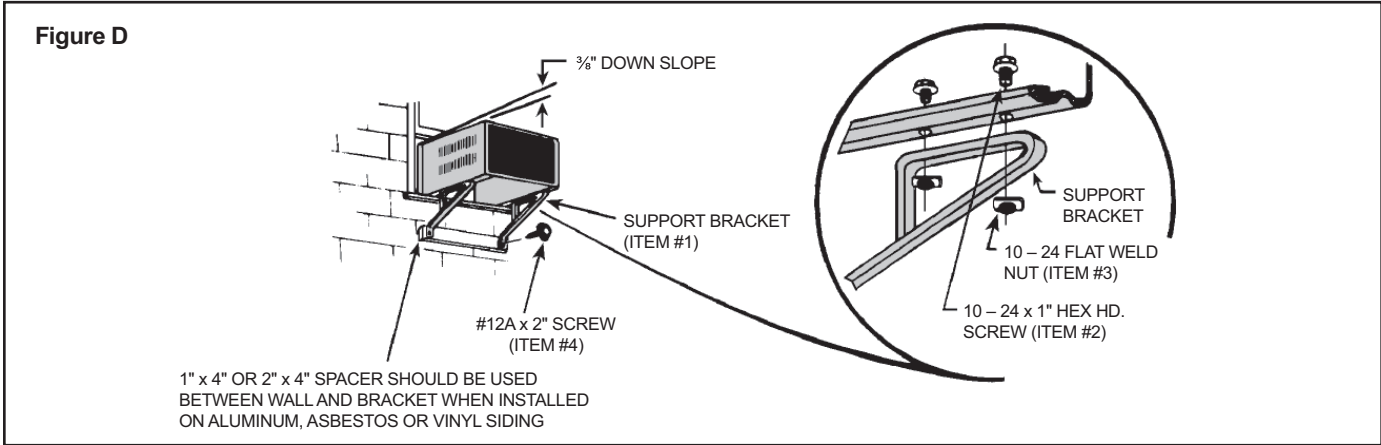
NOTICE

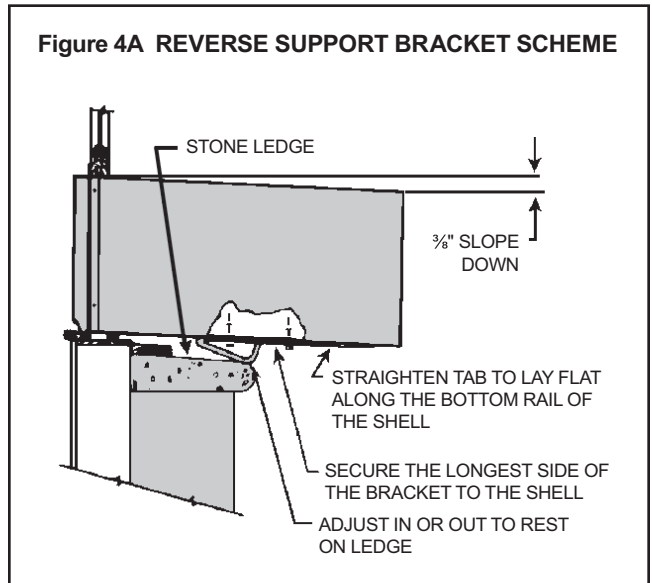
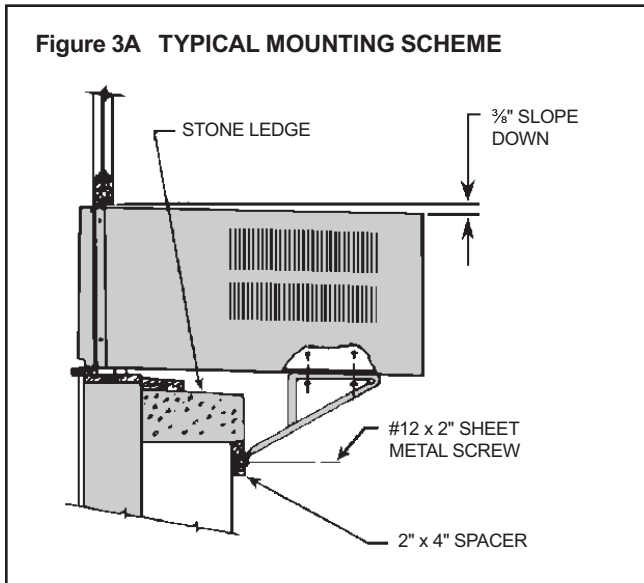
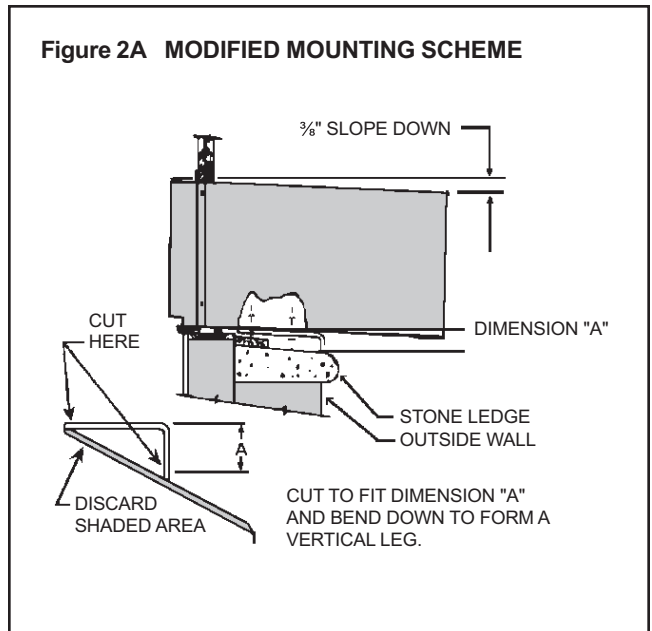
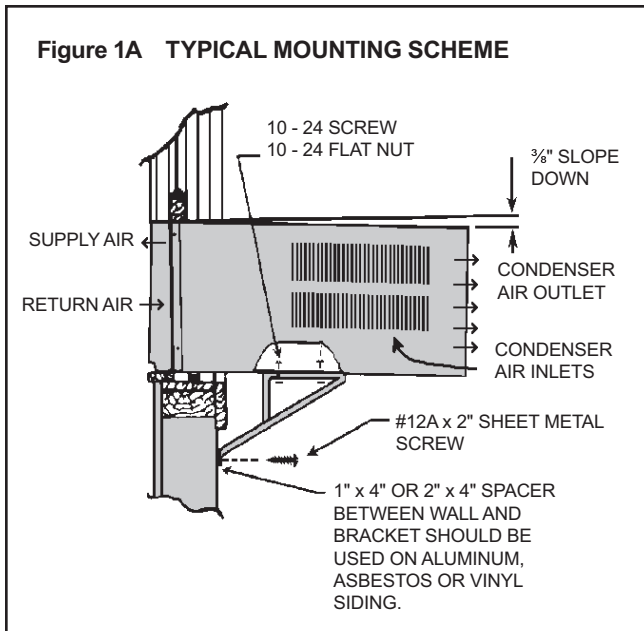
Instructions for mounting sleeve with slope must be observed to prevent entry of water into room.



NOTE: The discharge air, return air, condenser air inlets and outlets must be unobstructed to avoid recirculation of rejected heated air.

The following illustrations show a standard frame construction installation as well as some suggested ways of adapting the support bracket to thick walls and large stone ledges.

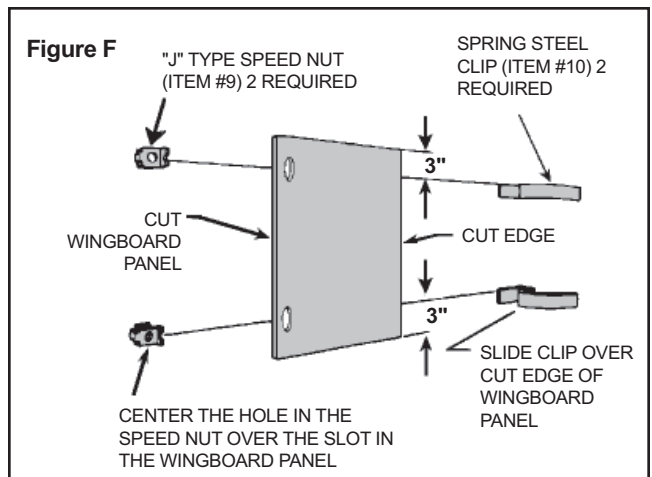




STEP 9 CUT WINGBOARD PANELS – Measure and cut the wingboard panels from the Masonite supplied (Item #8) to fit the spaces between the side window channels and the sides of the cabinet. (See Figure E).

NOTE: AFTER CUTTING THE PANELS, MAKE A TRIAL TEST TO SEE IF THEY FIT THE SPACE WITH ABOUT 1/8" CLEARANCE BEFORE GOING TO STEP 10.

STEP 10 ASSEMBLE THE CLIPS TO THE WINGBOARD PANELS- Assemble the "J" type speed nuts (Item 9) and spring steel clips (Item 10) to the edges of the cut wingboard panels (See Figure F).



NOTICE

Instructions for mounting sleeve with slope must be observed to prevent entry of water into room.

STEP 11 INSTALL THE SIDE WINGBOARD PANELS – Be sure the cabinet has been secured to the window sill and that the outside support brackets have been installed as shown in Figure D. Raise the window sash and install the right and left side wingboard panels. (See Figure G).

STEP 12 INSTALL THE WINDOW SEALING GASKETS – Measure and cut the vinyl window seal gasket (grey color, Item # 12) to fit the width of the window, and install as shown in Figure H. Pull the window sash down behind the gasket. Measure and cut the dark foam window seal gasket (Item #13) and install it between the upper glass panel and the top part of the lower sash. (See Figure H).

NOTE: FOR REASONS OF SECURITY AND SAFETY, THE CUSTOMER MUST PROVIDE A MEANS OF PREVENTING THE WINDOW FROM OPENING.

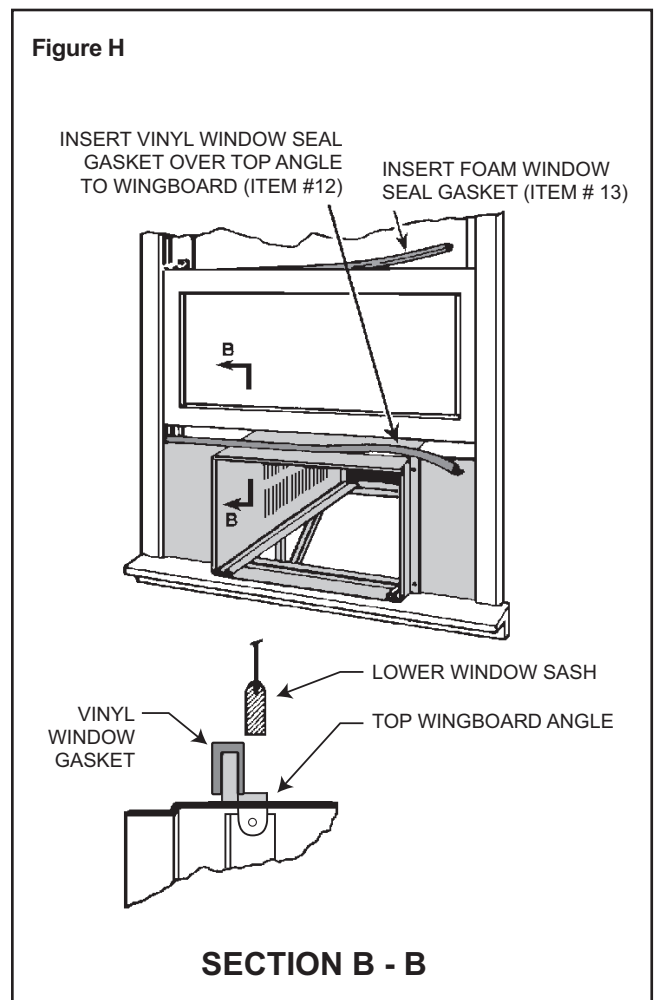
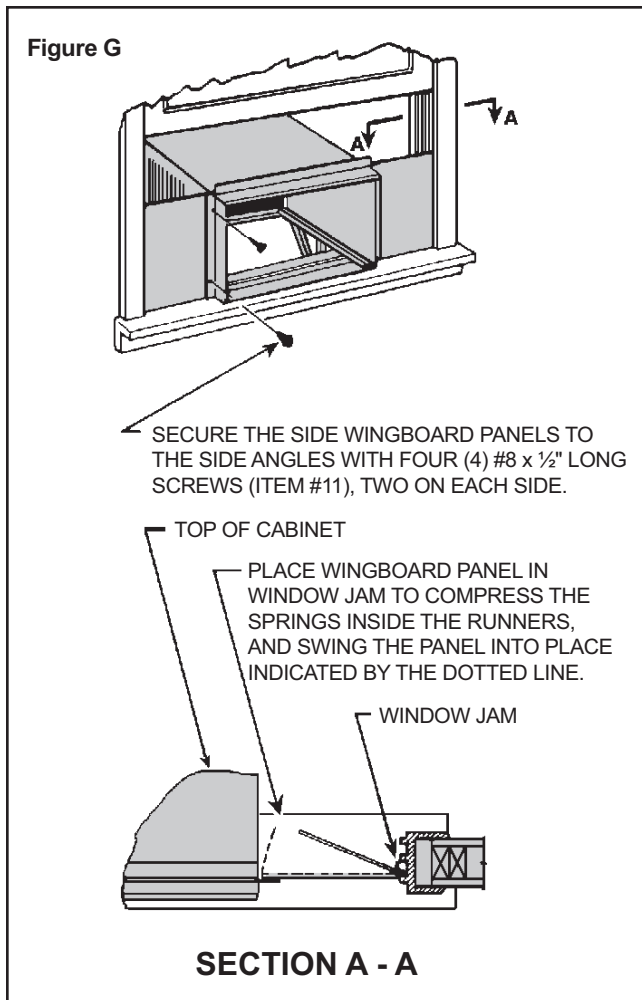
STEP 13 When possible, caulk the outside of the installation with industrial type caulking to prevent weather leaks.



STEP 14 INSTALL CHASSIS – After installing the shell, slide the chassis into the shell stopping approximately 3" from full insertion. **Stuff the chassis seal gasket one inch deep between the chassis and the shell (see Figure I).** Begin at either bottom corner and go up the side, across the top, and down the opposite side. Then push the chassis all the way into the shell for the remaining distance so that the plastic front meets the front edge of the shell.

If chassis seal gasket is not installed, the operation of the unit will be negatively affected. Operational noise and outside noise will also be amplified.

STEP 15 Reattach the chassis retainer wire with the same screw as in Step 3 (See Figure A).

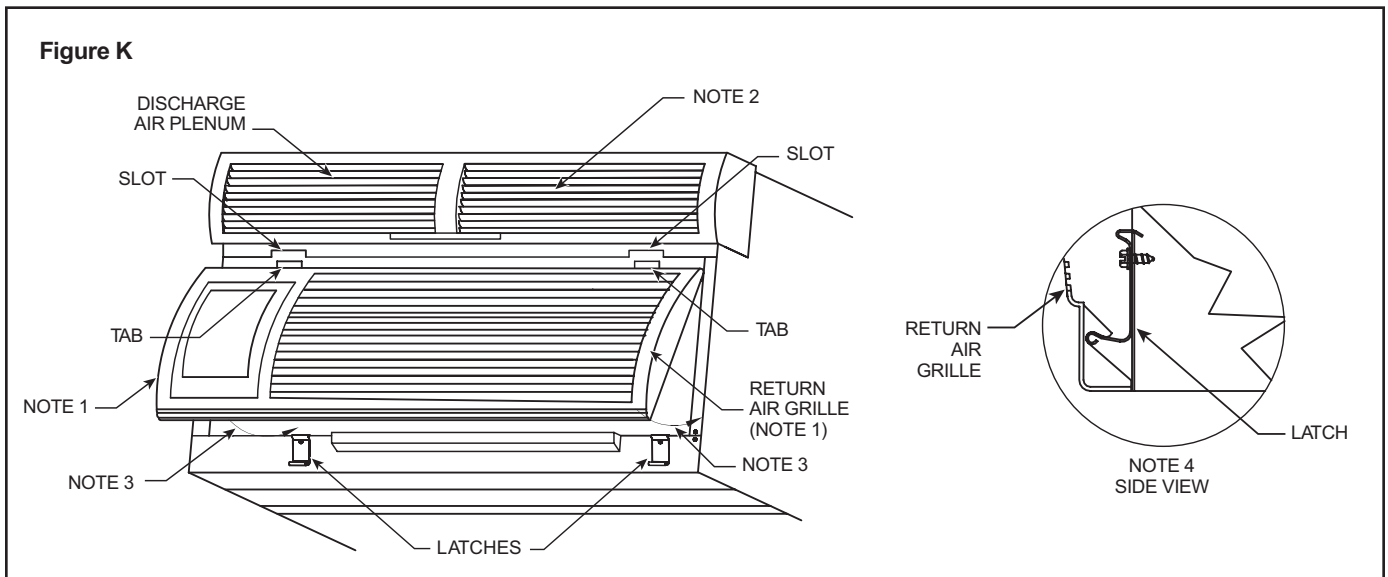
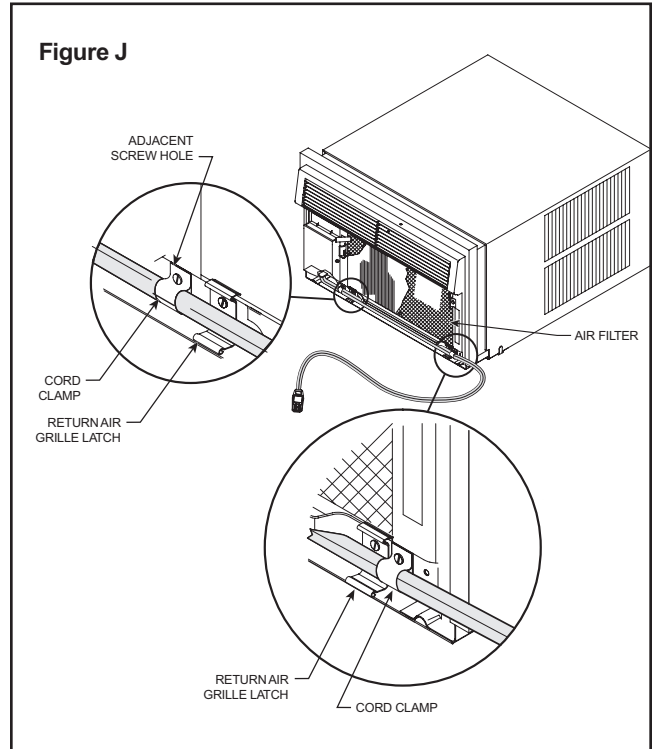
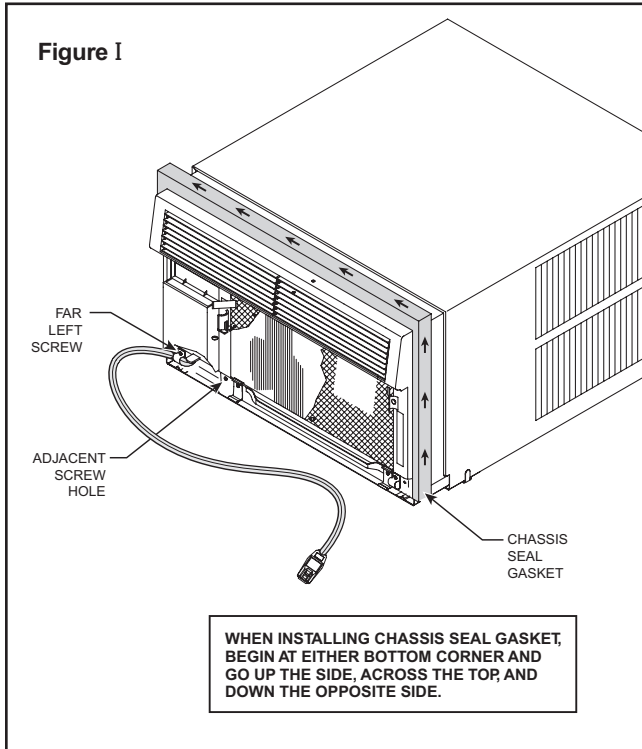


STEP 16 OPTIONAL: The factory assembles the supply cord so that it exits the left side of the unit. At the consumer's discretion, the supply cord can be made to exit the right side of the unit. To do this, remove the black rubber coated cord clamp from under the far left screw (See Figure I). Replace this screw back into the far left screw hole. Route the supply cord over the top of the return air grille latches and reattach the clamp to the adjacent screw hole (Figures I & J). Detach the right side cord clamp, route the supply cord through it and reattach. The supply cord should be pulled taut so as not to rest on the return air grille latches.

STEP 17 Be sure the filter is in place before installing the return air grille (See Figure J), and that the electrical cord is properly routed so not to interfere with the installation. (See Step 16.)

STEP 18 Pick up the grille by supporting it from both sides near the bottom (See Figure K, Note 1.) Lift return air grille and insert the grille's tabs into the bottom slots of the discharge plenum (See Figure K, Note 2). Snap the grille into place by pushing the grille up and onto the unit's latches at the bottom (See Figure K, Notes 3 and 4).

STEP 19 Refer to the Operating Instructions beginning on page 3.



Through-the-wall Installations

The following instructions apply to wood, masonry, brick, concrete or cinder block wall construction

⚠ WARNING

Falling Object Hazard

Not following Installation Instructions for mounting your air conditioner can result in property damage, injury, or death.

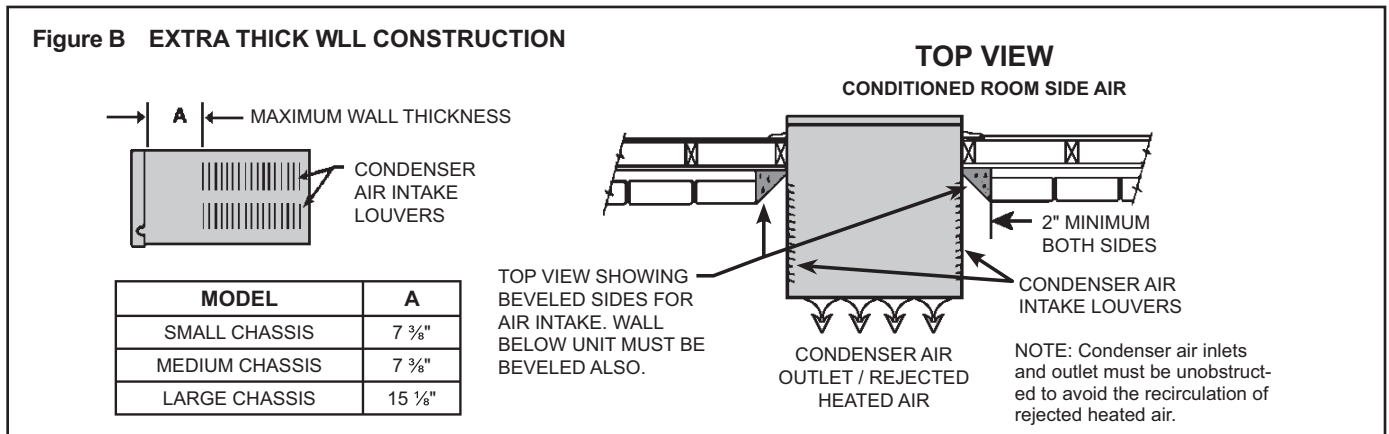
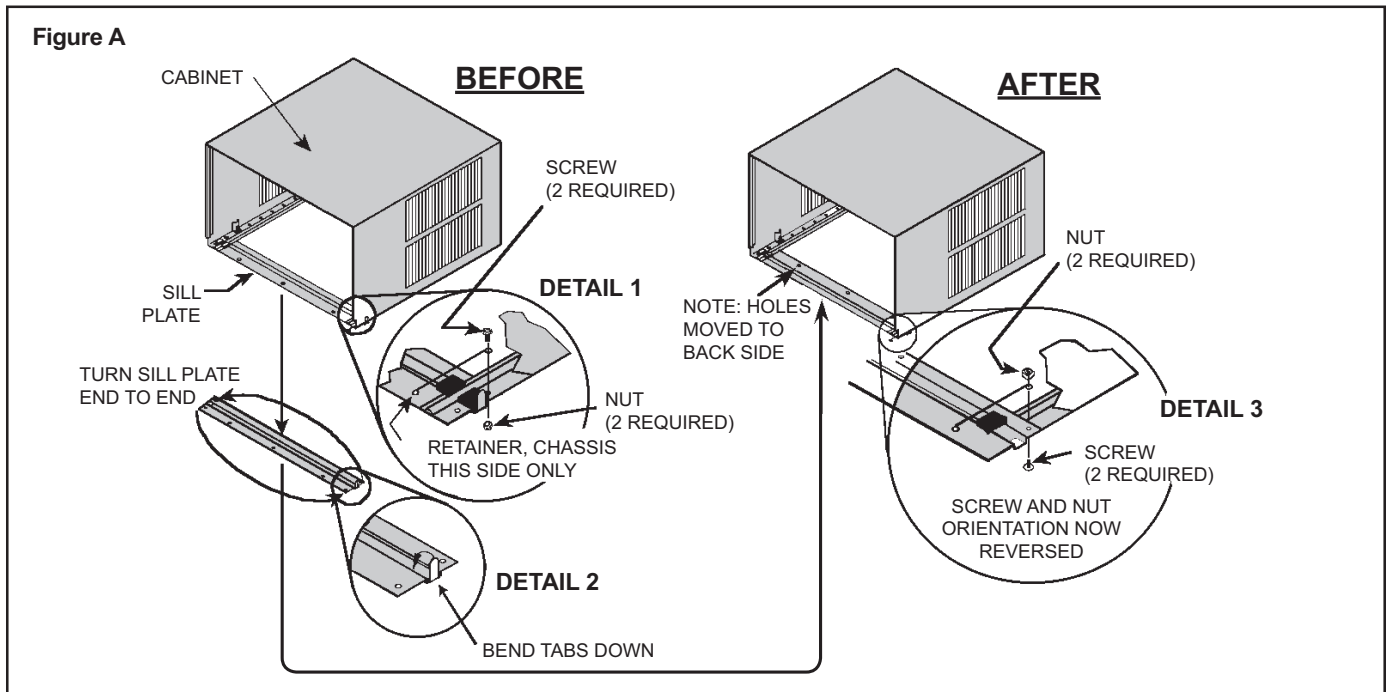


STEP 1 Follow steps 1, 2, 3 and 4 of the "STANDARD SASH WINDOW INSTALLATION" instructions beginning on page 10.

STEP 2 CABINET PREPARATION – Remove the sill plate from the cabinet by removing the two nuts and screws retaining the sill plate. Note that the chassis retainer is secured by a right side nut and screw (See Detail 1, Figure A.) Bend the tabs of the sill plate down into its channel at both ends of the plate or cut them off (See Detail 2, Figure A.) Turn the sill plate end to end, 180° and reinstall. Reverse the orientation of nuts and screws so that the head of screw is on bottom of cabinet facing up and nut is on top facing down (See Detail 3, Figure A.) Insure that the chassis retainer is reinstalled as shown in the detail.

STEP 3 WALL PREPARATION – The maximum wall thickness permissible without special construction is determined by the model size to be installed. THE OUTSIDE CABINET CONDENSER-AIR-INTAKE-LOUVERS MUST NOT BE BLOCKED BY EXTENDING INSIDE THE WALL AREA. Observe the maximum wall thickness shown in the chart and diagram in Figure B.

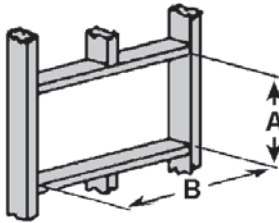
SPECIAL INSTRUCTIONS FOR EXTRA THICK WALLS – For installation in walls exceeding the maximum thickness shown in the chart, the following suggested construction may apply.



STEP 4 CHECKING WIRING AND PLUMBING: Check all wiring and plumbing inside and outside of the wall to be sure none will be broken where the hole is to be cut.

STEP 5 HOLE CONSTRUCTION: Depending upon size of unit to be installed, lay out the hole dimensions per the chart below. Cut and frame in hole to finished dimensions. Use 2" x 4" material for framing and follow the suggested typical installations in Figure C, D, or E.

NOTE: IF THE WALL CONSTRUCTION IS TYPICAL FRAME OR 2 x 4 STUDDING WITH BRICK OR STONE VENEERS, LOCATE THE HOLE NEXT TO ONE OF THE STUDS. FOR MASONRY, CONCRETE OR CINDER BLOCK WALLS, LOCATE HOLE FOR CONVENIENCE.



FINISHED DIMENSION	SMALL CHASSIS	MEDIUM CHASSIS	LARGE CHASSIS
A	16 3/16"	18 3/16"	20 3/8"
B	26 3/16"	26 3/16"	28 1/4"

NOTE: THESE DIMENSIONS ARE FOR FINISHED HOLE SIZE.

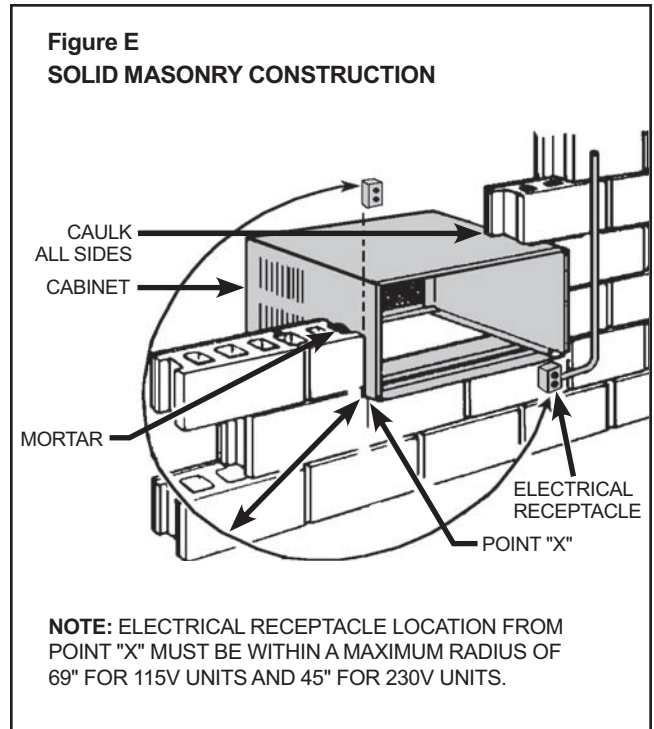
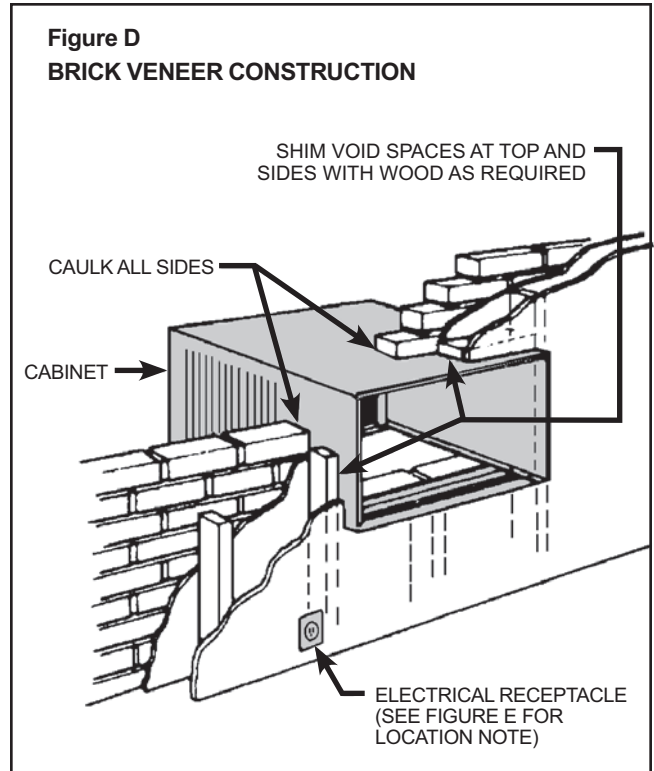
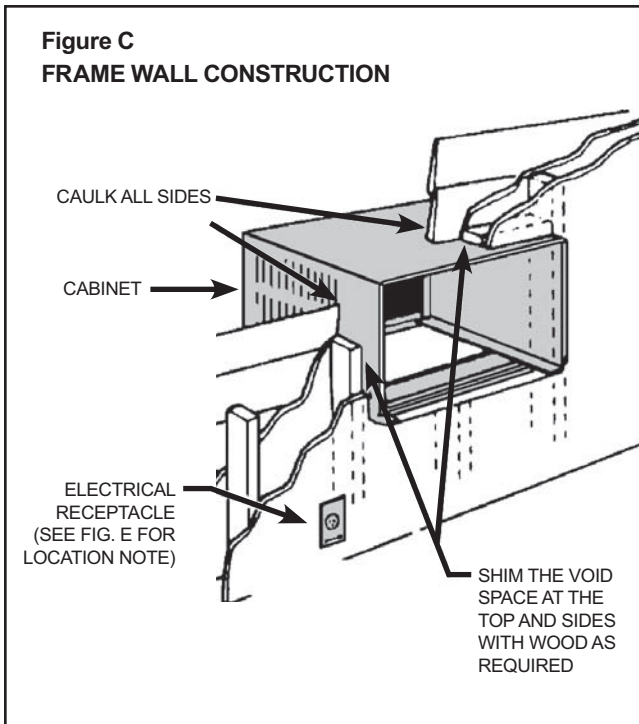
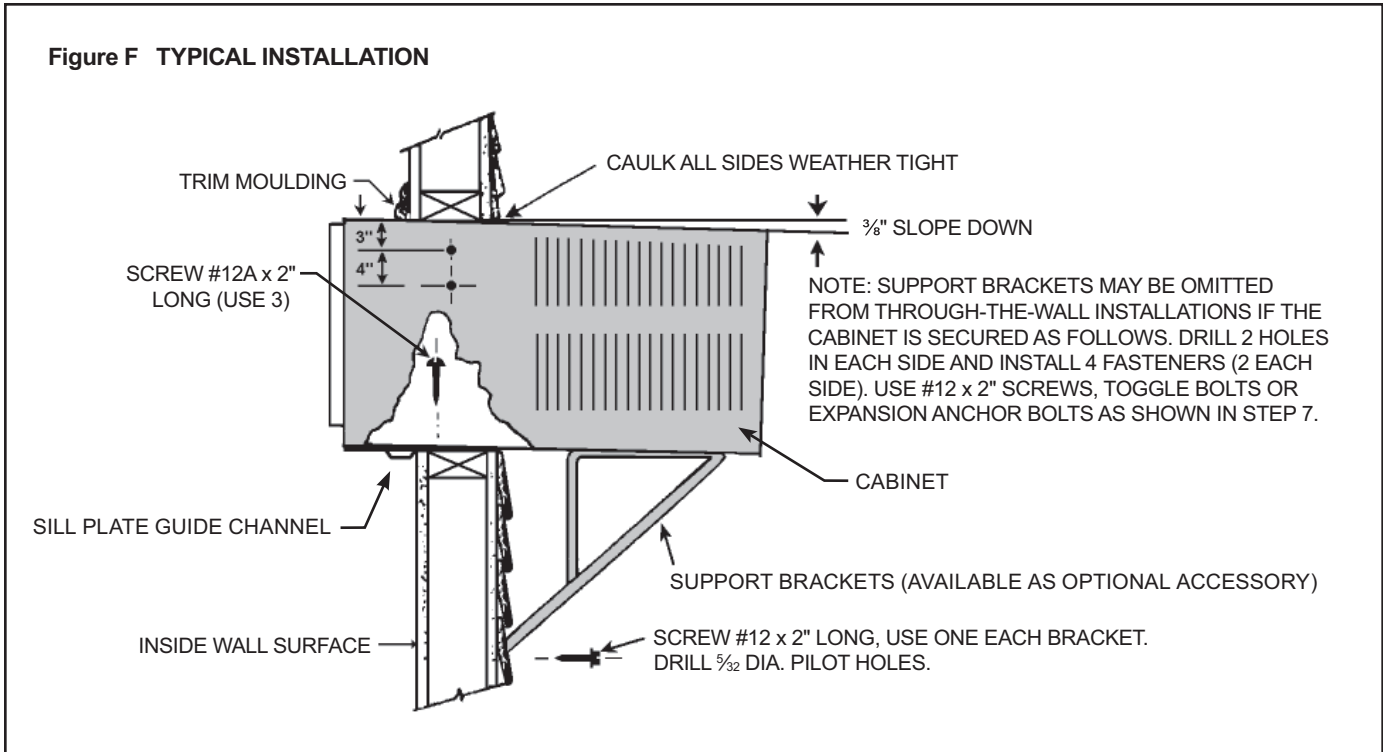


Figure F TYPICAL INSTALLATION



STEP 6 Slide the cabinet into the hole far enough to allow the guide-channel of the sill plate to contact the inside wall surface (See Figure F).

STEP 7 Drill three (3) 5/32" dia. pilot holes through holes in sill-plate into framing and install three (3) #12A x 2" long screws (See Figure F).

NOTE: ALTERNATE FASTENERS WHICH MAY BE USED FOR SECURING THE SILL PLATE IN THE WALL AND THE SUPPORT BRACKETS TO THE OUTSIDE WALL (NOT FURNISHED BUT AVAILABLE AT LOCAL HARDWARE STORE).



EXPANSION ANCHOR BOLT



MOLLY OR TOGGLE BOLT

STEP 8 Drill two (2) 5/32" dia. pilot holes each cabinet side at the locations shown (see Figure F) and install four (4) #12A x 2" screws (Item # 4, page 9). Provided that Step 5 (hole construction) provides a sturdy mount with solid vertical studs, no support brackets are required. The installation must support the weight of the unit plus an additional weight of 400 pounds on the rear of the cabinet.

If support brackets are available, they can certainly be used for through-the-wall installations as shown in Figure F.

If the reliability of the wall is in question, a window installation kit which includes support brackets can be ordered (see Accessories).

STEP 9 If desired, trim around the cabinet on the room side with a suitable frame moulding furnished by the installer (see Figure F).

STEP 10 Complete the installation by following steps 13 through 18 of SASH WINDOW INSTALLATION INSTRUCTIONS, pages 13-14.

STEP 11 Refer to the OPERATION SECTION for instructions.

NOTICE

Instructions for mounting sleeve with slope must be observed to prevent entry of water into room.

Troubleshooting tips

Power failure

If you have a power failure, the unit's auto-restart feature will resume operation in the selected mode prior to the power failure.

Won't cool?

If your air conditioner operates, but won't cool; check to see if the controls are properly set. Check the filter and clean thoroughly if needed. Check to see if the vent door is closed. Check to see if the chassis seal gasket is installed (refer to installation instructions).

Won't run?

Make sure the power cord is plugged in completely. Check for a bad fuse, tripped breaker or tripped LCDI Device. Refer to page 3 for LCDI reset instructions and to confirm proper fuse size.

For QuietMaster Programmable models only:

You can reset the circuit board by pressing the "**Moneysaver**" button and the "**Check Filter**" button at the same time. The LED (small red light) for the **Check Filter** will begin blinking. Once this occurs, turn the unit off by pressing the **On/Off** button once and then unplug the unit. Finally, plug the unit back in and turn it on by pressing the **On/Off** button once. All settings revert back to the factory default settings.

This is a warm weather appliance

Your air conditioner is designed to cool in warm weather when the outside temperature is above 60°F (16°C) and below 115°F (46°C), so it won't cool a room if it is already cool outside. If you want to cool a room in the spring or fall, touch **Fan Only** and set the **Fresh Air/Exhaust** control to **Fresh Air**. This will bring in a supply of cooler outside air.

Condensation is normal

Air conditioners actually pump the heat and humidity from your room to the outside air. Humidity becomes water, and your air conditioner will use most of the water to keep the outside coil cool. If there is excessive humidity, there may be excess water that will drip outside. This is normal operation.

Frosting

This usually occurs because of insufficient airflow across the coils, a dirty filter, cool damp weather, or all of these. Set unit to **Fan Only** and the frost will disappear. Setting the thermostat a little warmer will probably prevent the frosting from recurring.

Noises

All air conditioners make some noise. Friedrich QuietMaster® units are designed to operate as quietly as possible. An air conditioner mounted in a wall is quieter than one mounted in a window. It is important to ensure that the chassis seal gasket is properly installed (refer to installation instructions).

Cleaning your air conditioner

The decorative front and the cabinet can be cleaned with warm water and a mild liquid detergent. The indoor coil can be vacuumed with a dusting attachment if it appears to be dirty. The outdoor coil can be gently sprayed with a hose if you can get to it. If not, you might call your dealer for a more thorough cleaning when needed. The air filter should be inspected weekly and cleaned if needed by vacuuming with a dust attachment or by cleaning in the sink using warm water and a mild dishwashing detergent. Dry the filter thoroughly before reinstalling. Use caution—the coil surface can be sharp.

Heat pumps operate differently

If your unit is a "Y", or heat pump model, there are some things that you will want to be aware of.

Some functions of a heat pump differ from your unit when it is used for heating:

1. It is normal for ice to form on the outdoor coil of the heat pump. Moisture in the outside air, passing over the coil when very cold, will form ice.
2. If the outdoor temperature drops below 37°F (3°C), your heat pump will automatically turn on the electric resistance heat. When the temperature rises to 40°F (4°C), the compressor will resume the heat pump operation. If your unit is a 115 volt model (YS09), it is designed for use in warmer climates and has no electrical heat feature, and will not provide adequate heat below 37°F (3°C).

⚠ WARNING



Electrical Shock Hazard

Disconnect power before servicing.

Replace all parts and panels before operating.

Failure to do so can result in death or electrical shock.

Available Accessories

DC Drain Kit - Part No. 01900235

In some installations, excess condensate water caused by extremely humid conditions, may result in an undesirable water drip such as on a patio or over an entryway. MODEL DC-2 DRAIN KIT (Part No. 01900-235) can be installed to drain the excess condensate.

Window Installation Kits

TwinTemp or Heat/Cool room air conditioners are shipped without window mounting hardware because they are seldom mounted in the window. For those instances when these units are being mounted in a window, there are window installation kits available. Depending upon the chassis size for which an installation kit is desired, order:

- WIKS for Small Chassis (ES, YS models)
- WIKM for Medium Chassis (EM, YM models)
- WIKL for Large Chassis (EL, YL models)

THESE ACCESSORIES CAN BE ORDERED FROM YOUR FRIEDRICH DEALER.



Friedrich Air Conditioning Company

P.O. Box 1540
San Antonio, TX 78295
210.357.4400
www.friedrich.com

ROOM AIR CONDITIONERS LIMITED WARRANTY

FIRST YEAR

ANY PART: If any part supplied by FRIEDRICH fails because of a defect in workmanship or material within twelve months from date of original purchase, FRIEDRICH will repair the product at no charge, provided room air conditioner is reasonably accessible for service. Any additional labor cost for removing inaccessible units and/or charges for mileage related to travel by a Service Agency that exceeds 25 miles one way will be the responsibility of the owner. This remedy is expressly agreed to be the exclusive remedy within twelve months from the date of the original purchase.

SECOND THROUGH FIFTH YEAR

SEALED REFRIGERANT SYSTEM: If the Sealed Refrigeration System (defined for this purpose as the compressor, condenser coil, evaporator coil, reversing valve, check valve, capillary, filter drier, and all interconnecting tubing) supplied by FRIEDRICH in your Room Air Conditioner fails because of a defect in workmanship or material within sixty months from date of purchase, FRIEDRICH will pay a labor allowance and parts necessary to repair the Sealed Refrigeration System; **PROVIDED** FRIEDRICH will not pay the cost of diagnosis of the problem, removal, freight charges, and transportation of the air conditioner to and from the Service Agency, and the reinstallation charges associated with repair of the Sealed Refrigeration System. All such cost will be the sole responsibility of the owner. This remedy is expressly agreed to be the exclusive remedy within sixty months from the date of the original purchase.

APPLICABILITY AND LIMITATIONS: This warranty is applicable only to units retained within the Fifty States of the U.S.A., District of Columbia, and Canada. This warranty is not applicable to:

1. Air filters or fuses.
2. Products on which the model and serial numbers have been removed.
3. Products which have defects or damage which results from improper installation, wiring, electrical current characteristics, or maintenance; or caused by accident, misuse or abuse, fire, flood, alterations and/or misapplication of the product and/or units installed in a corrosive atmosphere, default or delay in performance caused by war, government restrictions or restraints, strikes, material shortages beyond the control of FRIEDRICH, or acts of God.

OBTAINING WARRANTY PERFORMANCE: Service will be provided by the **FRIEDRICH Authorized Dealer or Service Organization** in your area. They are listed in the Yellow Pages. If assistance is required in obtaining warranty performance, write to: Room Air Conditioner Service Manager, Friedrich Air Conditioning Co., P.O. Box 1540, San Antonio, TX 78295-1540.

LIMITATIONS: THIS WARRANTY IS GIVEN IN LIEU OF ALL OTHER WARRANTIES. Anything in the warranty notwithstanding, ANY IMPLIED WARRANTIES OF FITNESS FOR PARTICULAR PURPOSE AND/OR MERCHANTABILITY SHALL BE LIMITED TO THE DURATION OF THIS EXPRESS WARRANTY. MANUFACTURER EXPRESSLY DISCLAIMS AND EXCLUDES ANY LIABILITY FOR CONSEQUENTIAL OR INCIDENTAL DAMAGE FOR BREACH OF ANY EXPRESSED OR IMPLIED WARRANTY.

NOTE: Some states do not allow limitations on how long an implied warranty lasts, or do not allow the limitation or exclusion of consequential or incidental damages, so the foregoing exclusions and limitations may not apply to you.

OTHER: This warranty gives you specific legal rights, and you may also have other rights which vary from state to state.

PROOF OF PURCHASE: Owner must provide proof of purchase in order to receive any warranty related services.

All service calls for explaining the operation of this product will be the sole responsibility of the consumer.

All warranty service must be provided by an **Authorized FRIEDRICH Service Agency**, unless authorized by FRIEDRICH prior to repairs being made.

(9-04)

¡Enhorabuena!

Acaba de comprar la tecnología más avanzada en unidades de aire acondicionado de tipo ventana. Su unidad de aire acondicionado de tipo ventana Friedrich le dará muchos años de servicio de confianza. Este modelo incorpora muchas características para garantizar el funcionamiento silencioso, la mejor circulación posible del aire frío, aire seco, controles funcionales y un funcionamiento económico.

Contenido

Funcionamiento del aire acondicionado

Su seguridad y la seguridad de los demás	20
Antes de utilizar la unidad	21
Para obtener el mejor rendimiento y el consumo más eficaz del aire acondicionado	21
Funcionamiento del aire acondicionado Friedrich	22

Modelos QuietMaster programable

Puesta en marcha	22
Configuración del modo de funcionamiento	22
Función MoneySaver®	22
Ajuste de la temperatura	22
Ajuste de la velocidad del ventilador	22
Puesta en marcha del ventilador inteligente	22
Programación del reloj	22
Programación del temporizador	22
Protección automática de los componentes	22
Uso del mando a distancia	23

Modelos QuietMaster "K" y Heavy Duty / Twintemp

Puesta en marcha	24
Configuración del modo de funcionamiento	24
Ajuste de la temperatura	24
Función MoneySaver®	24

Cuidado y mantenimiento / Aire fresco y control de la ventilación

Cómo quitar/limpiar el filtro	25
Aire fresco y control de la ventilación	25

Instalación del aire acondicionado

Requisitos de electricidad/Medidas de la caja	26
Material de instalación	27
Instalación estándar del marco corredizo de la ventana	28
Instalaciones de pared	33
Consejos para solucionar problemas	36
Accesorios	36
Garantía	37

Su seguridad y la seguridad de los demás son muy importante.

Proporcionamos muchos mensajes de seguridad importantes en este manual y en su aparato. Siempre lea y obedezca todos los mensajes de seguridad.



Éste es un símbolo de alerta de seguridad.

Este símbolo lo alerta de posibles riesgos que pueden causarle la muerte o lesionarlo a usted o a otras personas.

Todos los mensajes de seguridad contarán con el símbolo de alerta de seguridad con la palabra "ADVERTENCIA" o "PRECAUCIÓN". Estas palabras quieren decir:



Puede ocasionarse la muerte o lesiones graves si no sigue las instrucciones.



Puede provocarse lesiones leves a moderadas si no sigue las instrucciones.

Todos los mensajes de seguridad le indicarán cuál es el posible riesgo, le indicarán cómo reducir la probabilidad de lesionarse y lo que ocurrirá si no sigue las instrucciones.



Los mensajes para alertarlo sobre posibles daños potenciales a la propiedad tendrán la palabra "AVISO". Pueden ocurrir daños a la propiedad si no sigue las instrucciones.

ADVERTENCIA: Antes de utilizar la unidad

Asegúrese de que los cables sean apropiados.

Si tienen fusible, deben ser de relevo. Antes de instalar o mover la unidad de sitio, asegúrese de que los amperios del interruptor automático y del fusible de relevo no excedan el máximo de amperios indicados en la figura 1.

NO utilice un alargador.

El cable que se suministra transmite la energía eléctrica necesaria para la unidad, y un alargador no lo haría.

Asegúrese de que el enchufe de pared sea compatible con el enchufe del cable que se suministra.

Esto garantiza la toma de tierra apropiada. Si tiene un enchufe de pared de dos clavijas, necesita que un electricista certificado lo cambie por un enchufe de pared con toma de tierra. El enchufe con toma de tierra debe cumplir con todos los códigos y requisitos nacionales y locales. Nunca quite la clavija de toma de tierra de un enchufe. Debe utilizar el enchufe de tres clavijas que se suministra con la unidad de aire acondicionado.

Pruebe el cable

Todas las unidades Friedrich de aire acondicionado vienen de fábrica con un cable con interruptor de detección de fugas de corriente (LCDI, del inglés Leakage Current Detection Interrupter), que cumple con los requisitos UL y NEC para unidades de aire acondicionado con enchufe, vigente a partir de agosto del 2004.

Para probar el cable de alimentación:

1. Conecte el cable de alimentación a un enchufe de tres clavijas con toma de tierra.
2. Pulse el botón RESET (vea la figura 2).
3. Pulse el botón TEST (debe escuchar un clic; el botón RESET se accionará y saltará).
4. Pulse y suelte RESET (debe escuchar un clic; el botón RESET se anclará y quedará pulsado). El cable de alimentación ya está listo para su uso.

NOTA: El dispositivo LCDI no se debe usar como interruptor.

Cuando enchufe la unidad funcionará normalmente sin tener que volver a restablecerla.

Si el dispositivo no salta al probarlo, el cable está dañado y debe cambiarlo por otro cable del fabricante. Recomendamos que se ponga en contacto con nuestra Línea de asistencia técnica, llamando al (800) 541-6645, extensión 845. Para que le atiendan más rápidamente, tenga a mano el modelo y el número de serie.

ADVERTENCIA

Peligro de choque eléctrico

Asegúrese de que su receptáculo eléctrico cuente con la misma configuración que el enchufe de su aire acondicionado. Si es diferente, consulte con un electricista certificado.

No use adaptadores para el enchufe.
No utilice cables de extensión.
No retire el contacto a tierra.



Siempre conéctelo a un tomacorriente trifásico con contacto a tierra. No seguir estas instrucciones puede ocasionar la muerte, un incendio o un choque eléctrico.

MODELO	CIRCUITO O FUSIBLE DE RELEVIO:		ENCHUFE DE PARED	
	AMP	VOLT	NÚM. NEMA	
SS08 • SS10 • SS12 SS14 • KS12 • KS15 YS09	15	125	5-15R	
SS12 • SS16 • SM18 SM21 • KM18	15	250	6-15R	
SM24 • SL28 • KM24 YS13 • ES12 • ES16	20	250	6-20R	
SL36 • YM18 • YL24 EM18 • EM24 • EL36	30	250	6-30R	

Figura 1

NOTA: Su dispositivo LCDI se parecerá a uno de éstos

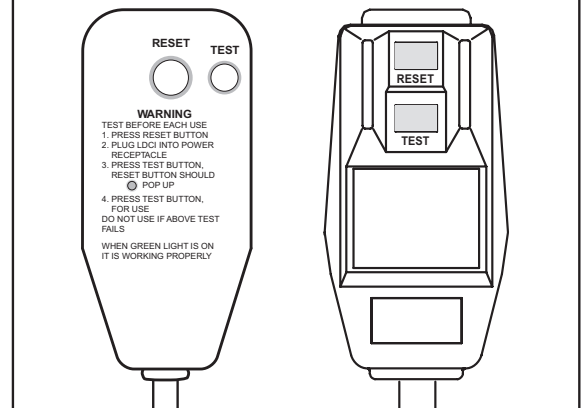


Figura 2

Para obtener el mejor rendimiento y el consumo más eficaz del aire acondicionado

Mantenga limpio el filtro

Asegúrese de que su aire acondicionado funcione siempre al máximo limpiando el filtro regularmente. En la página 25 encontrará las instrucciones sobre cómo quitar y limpiar el filtro.

Tenga buena ventilación

Asegúrese que la unidad tenga buena ventilación de entrada y salida. La unidad manda el aire acondicionado a la parte de arriba y recibe el aire no tratado por la parte de abajo. Para funcionar bien es necesario que tenga buena ventilación. También es importante que la ventilación de la unidad no esté bloqueada en la parte exterior del edificio.

Instalación de la unidad

Se puede instalar en una ventana o en una pared, a la sombra de un árbol o de otro edificio para que funcione con mayor eficacia. También ayuda utilizar cortinas en la parte soleada de la vivienda para aumentar su eficacia.

Aislamiento

Un buen aislamiento ayuda a mantener los niveles deseables de comodidad. Las puertas deben llevar burletes de aislamiento. Utilice sellador en las juntas de las puertas y ventanas.

Correcta instalación de la junta de sello

Asegúrese de instalar correctamente la junta selladora para reducir el nivel de ruido y mejorar la eficacia de la unidad. Si no está instalada, consulte el paso 14 (página 31) de las instrucciones de instalación.

Además, si pasa de FRÍO (COOL) a VENTILADOR SÓLO (FAN ONLY), y otra vez a FRÍO (COOL), el compresor tarda tres minutos en ponerse en marcha.

Funcionamiento del aire acondicionado Friedrich (Modelo QuietMaster programable)

Puesta en marcha

- Si el aire está instalado y enchufado en el enchufe correcto, está listo para ponerse en marcha. Pulse una vez el botón **Power** (Encendido). La unidad se enciende automáticamente en **Cool** a una temperatura de 24°C (75°F), a la velocidad F1 del ventilador y en modo de noche. El compresor tarda tres minutos en ponerse en marcha. (Vea "Protección automática de los componentes" en esta página).
- Si al poner en marcha la unidad por primera vez se enciende la luz de **Check Filter** (Comprobar el filtro), pulse **Check Filter** para que se apague la luz. La luz de Check Filter se enciende tras 250 horas de uso (Consulte las instrucciones de limpieza del filtro en la página 25). Pulse Check Filter para restablecer.

Configuración del modo de funcionamiento

- Al poner en marcha la unidad por primera vez, se enciende en **Cool** (con la luz encendida) con ventilador constante.
- Pulse **MoneySaver®** (se enciende la luz) para activar la función de MoneySaver®. De esta manera se pone en marcha el ventilador con el compresor para que el ventilador no esté en funcionamiento constante. Esta función también ahorra energía y mejora la humidificación. (MoneySaver® también pone en marcha el ventilador para tomar una muestra de la temperatura del aire que expulsa cuando el ciclo es demasiado largo). Si lo desea, puede dejar la unidad en ventilador constante para que haya más movimiento del aire. Para volver a ventilador constante, pulse **Cool**.
- Pulse **Fan Only** (se enciende la luz) si sólo quiere que funcione el ventilador. Puede utilizar esta función en combinación con **Fresh Air / Exhaust** (AIRE FRESCO/VENTILACIÓN) para que entre aire de fuera o para sacar el aire estancado de la habitación. (Para más información consulte "Aire fresco y control de la ventilación", en la página 25.)

Para ajustar la temperatura [de 16°C (60°F) a 32°C (90°F)]

- MÁS FRÍO** – Pulse **✓** y mantenga pulsado hasta que aparezca la temperatura deseada en la pantalla.
- MÁS CALOR** – Pulse **▲** y mantenga pulsado hasta que aparezca la temperatura deseada en la pantalla.
- FAHRENHEIT / CELSIUS** – Pulse **▲** y **✓** °F / °C para mostrar la temperatura en grados Celsius o Fahrenheit.

Para ajustar la velocidad del ventilador

- Pulse **1-4 Speed** (Velocidad 1-4) para ver el ajuste actual. Pulse otra vez para cambiar la velocidad. F1 es la velocidad inferior (SLEEP SETTING), F2 es velocidad baja (LOW), F3 es media (MED) y F4 es alta (HIGH).

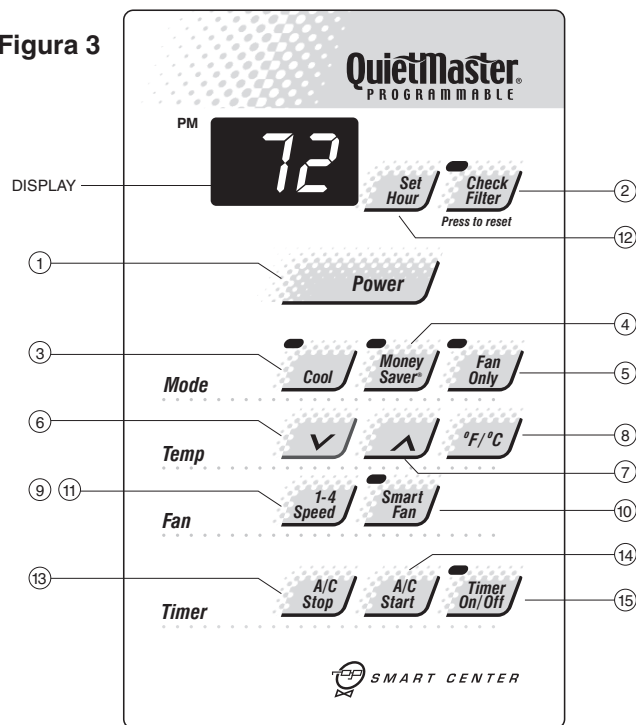
Para activar el ventilador inteligente (Smart Fan)

- Pulse **Smart Fan** (se enciende la luz). Smart Fan ajustará automáticamente la velocidad del ventilador al nivel de comodidad deseado. Por ejemplo, si las puertas de la casa están abiertas durante mucho rato o hay mucha gente en la habitación, Smart Fan puede ajustar la velocidad a una velocidad superior para compensar la subida de la temperatura. Así no hace falta que usted ajuste la velocidad del ventilador. No se puede activar Smart en el modo de **Fan Only**.

Para desactivar Smart Fan

- Pulse **1-4 Speed** y seleccione la velocidad que desee.

Figura 3



Para programar el reloj

- Pulse **Set Hour** (Hora) una vez para ver la hora. Siga pulsando el botón hasta que aparezca en la pantalla la hora real. ASEGÚRESE DE INDICAR CORRECTAMENTE A.M. O P.M. Cuando es P.M. se enciende una luz en la esquina superior izquierda de la pantalla.

NOTA: La pantalla NO muestra los minutos.

Para programar el temporizador

NOTA: Programe la hora antes de ajustar el temporizador.

Puede marcar la hora de encendido (**A/C Start**) y la hora de apagado (**A/C Stop**) con una hora de diferencia como mínimo y veintitrés horas de diferencia como máximo.

- APAGADO** - Pulse el botón **A/C Stop** y siga pulsando hasta que la hora en que usted quiere que se apague la unidad aparezca en la pantalla (A.M. o P.M.). Así se indica a qué hora quiere que deje de enfriar.
- ENCENDIDO** - Pulse **A/C Start** para ver a qué hora debe empezar a enfriar. Siga pulsando hasta que aparezca en la pantalla la hora en la que quiere que se encienda (A.M. o P.M.). Así se indica a qué hora quiere que comience enfriar.
- Pulse una vez el botón **Timer On/ Off** (Temporizador On/Off) para activar el temporizador (se enciende la luz). Vuelva a pulsar **Timer On/ Off** (se apaga la luz) para desactivarlo. Al seleccionar la hora de inicio y de apagado, quedan programadas en la memoria para cada día hasta que las vuelva a cambiar.

NOTA: Si se desconecta la unidad o se va la corriente, debe volver a programar el botón Set Hour para que funcione el temporizador.

Protección automática de los componentes

La unidad dispone de protección automática de los componentes. Para proteger el compresor de la caja hay tres minutos de retraso cuando se apaga la caja o se corta la corriente. No afecta al ventilador.

Cómo utilizar el mando a distancia* (Modelo QuietMaster programable)

Puesta en marcha

- 1 **POWER** - Pulse una vez el botón **Power**. La unidad se encenderá automáticamente en el modo y velocidad del ventilador en que estaba cuando se apagó.

Configuración del modo de funcionamiento

- 2 **COOL** - Pulse el botón **Cool** (Frio) para cambiar automáticamente a COOL.
- 3 **FAN ONLY** - Pulse el botón **Fan Only** si sólo quiere que funcione el ventilador. Puede utilizar esta función en combinación con FRESH AIR / EXHAUST para que entre aire de fuera o para sacar el aire estancado de la habitación. (Para más información consulte la figura 9 de la página 25).
- 4 **MoneySaver®** - Pulse el botón **MoneySaver®** para activar la función de MoneySaver®. De esta manera se pone en marcha el ventilador con el compresor para que el ventilador no esté en funcionamiento constante.

Para ajustar la temperatura

- 5 **COOLER** - Pulse el botón **Cooler** para bajar la temperatura.
- 6 **WARMER** - Pulse el botón **Warmer** para subir la temperatura.

Para ajustar la velocidad del ventilador

- 7 **FAN SPEED** - Pulse el botón **Fan Speed** para ver el ajuste actual.
Pulse otra vez para cambiar la velocidad. F1 es la velocidad inferior (SLEEP SETTING), F2 es velocidad baja (LOW), F3 es media (MED) y F4 es alta (HIGH).

Para programar el reloj

- 8 **SET HOUR CLOCK** - Pulse una vez Set Hour para ver la hora. Siga pulsando el botón hasta que aparezca en la pantalla la hora real.
ASEGÚRESE DE INDICAR CORRECTAMENTE A.M. O P.M. (NOTA: LOS MINUTOS NO APARECEN EN LA PANTALLA.) Cuando es P.M. se enciende una luz en la esquina superior izquierda de la pantalla.

* Se puede utilizar el mando a distancia Friedrich RC1 para todos los modelos QuietMaster® programable.

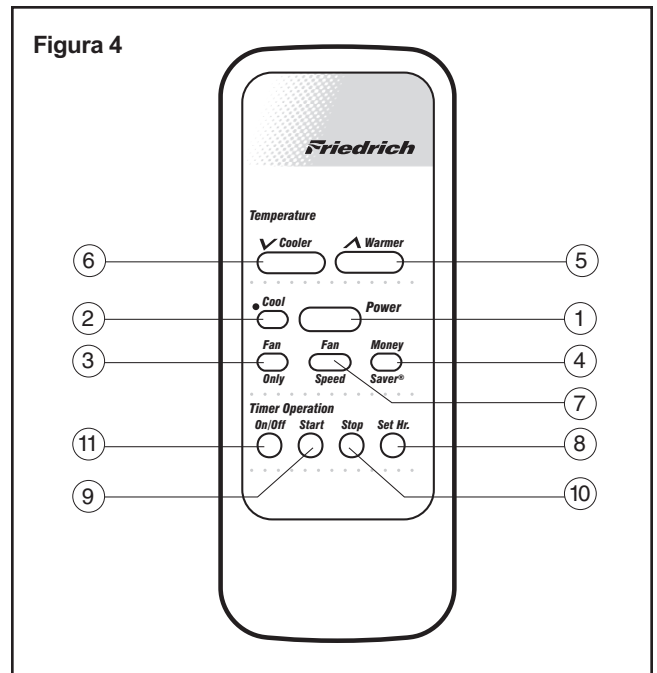
Para programar el temporizador

NOTA: Programe la hora antes de ajustar el temporizador. Puede marcar la hora de encendido y apagado con una hora de diferencia como mínimo y veintitrés horas de diferencia como máximo.

- 9 **TIMER START** - Pulse Start para ver a qué hora debe empezar a enfriar. Siga pulsando hasta que aparezca en la pantalla la hora en la que quiere que se encienda (A.M. o P.M.). Así se indica a qué hora quiere que comience enfriar.
- 10 **TIMER STOP** - Pulse el botón STOP y siga pulsando hasta que la hora en que usted quiere que se apague la unidad aparezca en la pantalla (A.M. o P.M.). Así se indica a qué hora quiere que deje de enfriar.
- 11 **TIMER ON/OFF** - Pulse una vez el botón **On/Off** para activar el temporizador (se enciende la luz) o desactivarlo (se apaga la luz). Al seleccionar el tiempo de inicio y de apagado, quedan programados en la memoria para cada día hasta que los vuelva a cambiar.

NOTA: Si se desconecta la unidad o se va la corriente, debe volver a programar la hora (HOUR CLOCK) con Set Hour para que funcione el TEMPORIZADOR.

Figura 4



Funcionamiento del aire acondicionado (Modelos QuietMaster “K” y Heavy Duty / Twintemp)

Puesta en marcha

Si el aire está instalado y enchufado en el enchufe correcto, está listo para ponerse en marcha.

Control de los modos (QuietMaster ‘K’ y Heavy Duty)

El mando superior (Figura 5) permite seleccionar aire acondicionado a cuatro velocidades diferentes o sólo ventilador (Los modelos SL28 y SL36 sólo tienen tres velocidades).

Off (Apagado) – para apagar la unidad.

High Cool (Muy baja) – para enfriar rápidamente.

Medium Cool (Media) – para mantener la temperatura deseada.

Low Cool (Baja) – para enfriar cuando no hay mucha necesidad.

Sleep Setting (Noche) – para usar por la noche, cuando no hace falta que enfríe mucho.

Fan Only (Ventilador sólo) – para hacer circular el aire de la habitación sin que se encienda el compresor.

Puede utilizar **Fan Only** con EXHAUST para que entre AIRE FRESCO de fuera o para sacar el aire estancado de la habitación. Esto es muy útil en primavera y en otoño cuando no es necesario enfriar la habitación. Los mandos FRESH AIR y EXHAUST están en la parte superior por donde sale el aire. La posición central es normal o cerrada, que hace recircule el aire para lograr el máximo rendimiento en el modo aire frío (véase la figura 9).

Control de los modos (Twintemp)

Este mando permite seleccionar de aire frío o aire caliente a tres velocidades, y también el modo de ventilador **Fan Only** (Figura 6).

Off – para apagar la unidad.

High Cool o High Heat (Muy baja o Muy alta) – para actuar rápidamente.

Medium Cool o Medium Heat (Media) – para mantener la temperatura deseada.

Low Cool o Low Heat (Baja, es decir, Poco frío o Poco calor) – para usar por la noche cuando no hay mucha necesidad.

Fan Only (Ventilador sólo) – para hacer circular el aire de la habitación sin que se encienda el compresor.

Puede utilizar **Fan Only** con **Exhaust** para que entre AIRE FRESCO de fuera o para sacar el aire estancado de la habitación. Esto es muy útil en primavera y en otoño cuando no es necesario enfriar la habitación.

Los mandos **Fresh Air** y **Exhaust** están en la parte superior por donde sale el aire (véase la figura 9 de la página 25). La posición central es normal o cerrada, que hace recircule el aire para lograr el máximo rendimiento en el modo de aire frío.

NOTA: Puede que perciba un olor extraño cuando encienda el calentador y se encienda la bobina eléctrica. Esto es normal y se debe al polvo que se acumula en la bobina durante el otoño.

Control de la temperatura

El mando inferior del panel de control es el termostato. Gire el mando en el sentido de las agujas del reloj para bajar la temperatura y gírelo en sentido contrario para subirla.

Interruptor Money Saver®

Este interruptor revolucionario se puede poner en YES (Sí) o NO. El funcionamiento más económico es con el interruptor en YES. En esta opción el ventilador y el compresor funcionan a la vez para mantener la temperatura seleccionada más constante y reducir mejor la humedad en el modo de aire frío. Este control sólo funciona con la unidad en modo de aire frío o aire caliente. En NO, el ventilador funciona constantemente mientras la unidad funcione en modo de aire frío o aire caliente.

NOTA: El YS09 es un modelo de 115 voltios y no calienta bien por debajo de los 37°F (3°C). Este producto está diseñado para utilizarlo en zonas de clima más templado.

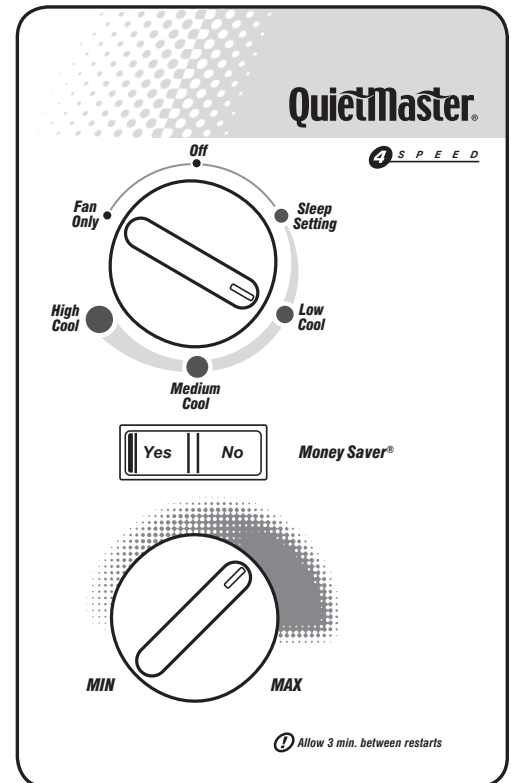


Figura 5

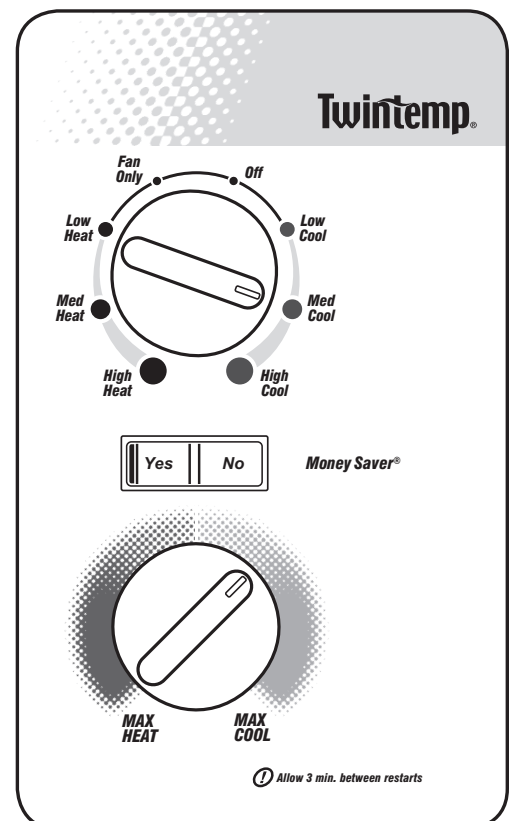


Figura 6

Cuidado y mantenimiento / Aire fresco y control de la ventilación

Cómo quitar/limpiar y cambiar el filtro y volver a colocar la rejilla en su sitio

Abra la rejilla del aire (RA) agarrando los bordes superiores y estirando hacia usted (véase la figura 7). La rejilla RA permanece abierta hasta que se quita o se cierra (es más fácil quitarla completamente antes de cerrarla). Para quitar la rejilla, agárrela por debajo y tire hacia usted.

El filtro está sujeto por dos clips (véase la figura 7). Empuje los clips hacia abajo, agarre el filtro y tire hacia usted para quitarlo y limpiarlo. Límpielo con agua caliente y un detergente suave, enjuague y seque completamente antes de volver a colocarlo en su sitio. Quite el filtro con cuidado porque puede cortarse con la superficie de la bobina.

Si quita la rejilla, agárrela sujetándola por debajo por ambos lados (véase la figura 8, nota 1). Levante la rejilla e inserte las pestañas en las ranuras inferiores de la puerta de salida del aire (véase la figura 8, nota 2). Encaje la rejilla en su sitio empujándola hasta que se enganche por abajo (véase la figura 8, notas 3 y 4).

Aire fresco y control de la ventilación

La unidad de aire acondicionado puede hacer que entre aire fresco en la habitación o sacar el aire estancado de la habitación. El interruptor de control está en la parte superior de la unidad (véase la figura 9).

PARA QUE ENTRE AIRE FRESCO – Ponga el interruptor en **Fresh Air** para que entre aire de fuera. Esto es muy útil en primavera y en otoño porque permite que entre el aire con el ventilador sólo (**Fan Only**). También se puede utilizar en otoño con el compresor en el modo de aire frío. Normalmente, enfría mejor con el interruptor en posición media o cerrada.

PARA SACAR EL AIRE DE LA HABITACIÓN - Ponga el interruptor en **Exhaust** para sacar el aire estancado de la habitación. Esto es muy útil en primavera y en otoño, cuando se suele estancar el aire de los espacios interiores o después de una reunión de fumadores o para quitar los malos olores de la cocina.

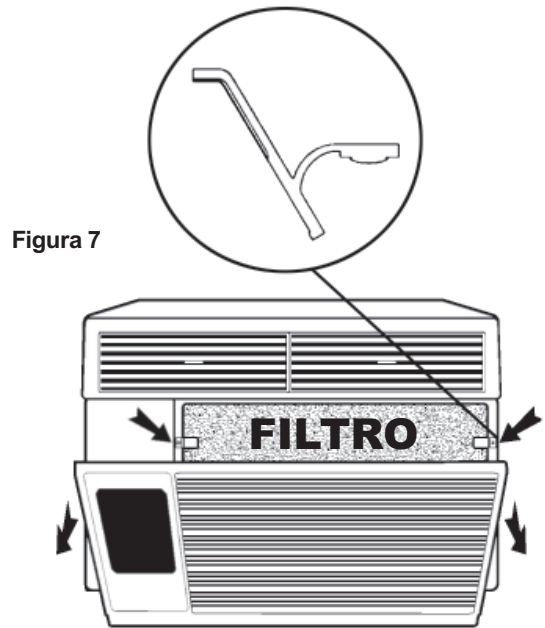


Figura 7

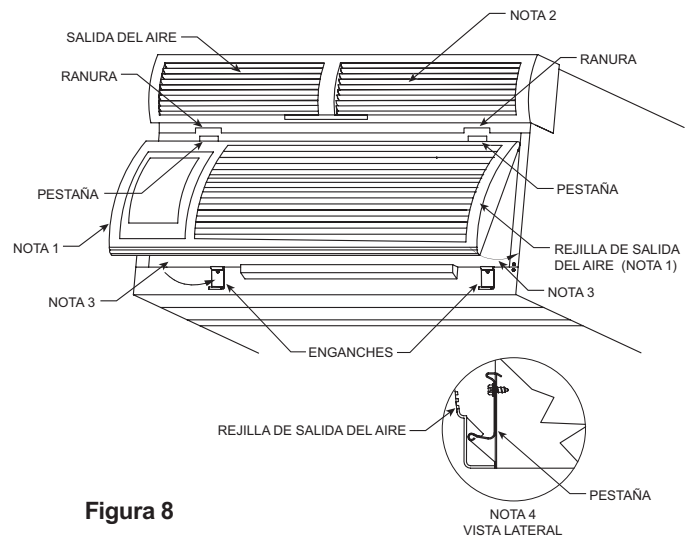


Figura 8

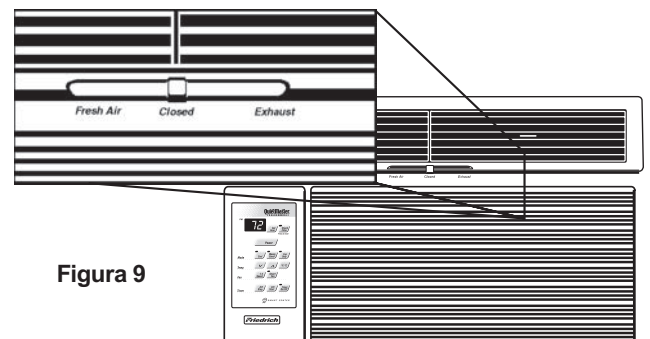


Figura 9

Instrucciones de instalación

NOTA: Este manual incluye instrucciones de instalación para montarlo en ventanas o en la pared. Los modelos TwinTemp® aire frío/aire caliente son de instalación de pared. Para montar la unidad en una ventana requiere un kit accesorio especial de montaje, que puede comprar en su distribuidor Friedrich.



¡Lea esto primero! Requisitos de electricidad

IMPORTANTE: Antes de instalar la unidad, compruebe los códigos y la información que sigue.

Debe conectar la unidad a una fuente de alimentación del voltaje y hertzios de C.A. que se indican en la placa de información del chasis. Sólo puede utilizar corriente alterna (C.A.). No puede usar corriente continua (C.C.). Consulte la página 21 para ver qué tipo de enchufe necesita su modelo.

PROTECCIÓN DEL CIRCUITO – USAR SÓLO EN CIRCUITOS DE UN SÓLO ENCHUFE.

La sobrecarga del circuito causará el malfuncionamiento de la unidad por lo que es necesario contar con la protección eléctrica adecuada. Por la demanda temporal de alta corriente, cuando se pone en marcha el aire acondicionado, use un fusible de retraso "TIME DELAY" o un interruptor de tipo HACR. En caso de duda consulte con su distribuidor o con la compañía eléctrica.

Consulte la placa de información eléctrica del chasis de la unidad de aire acondicionado para ver los amperios que necesita el fusible o el interruptor de su modelo (véase la figura E de la página 34 para información sobre enchufes eléctricos).

El cable tiene un enchufe con clavija de toma de tierra y debe enchufarse en un enchufe del mismo tipo.

ADVERTENCIA: NUNCA quite la clavija de toma de tierra de un enchufe ni utilice un alargador con la unidad de aire acondicionado.

Estas instrucciones para modelos de chasis estándar se distinguen por las dos primeras letras de los modelos y por el tamaño de las cajas.

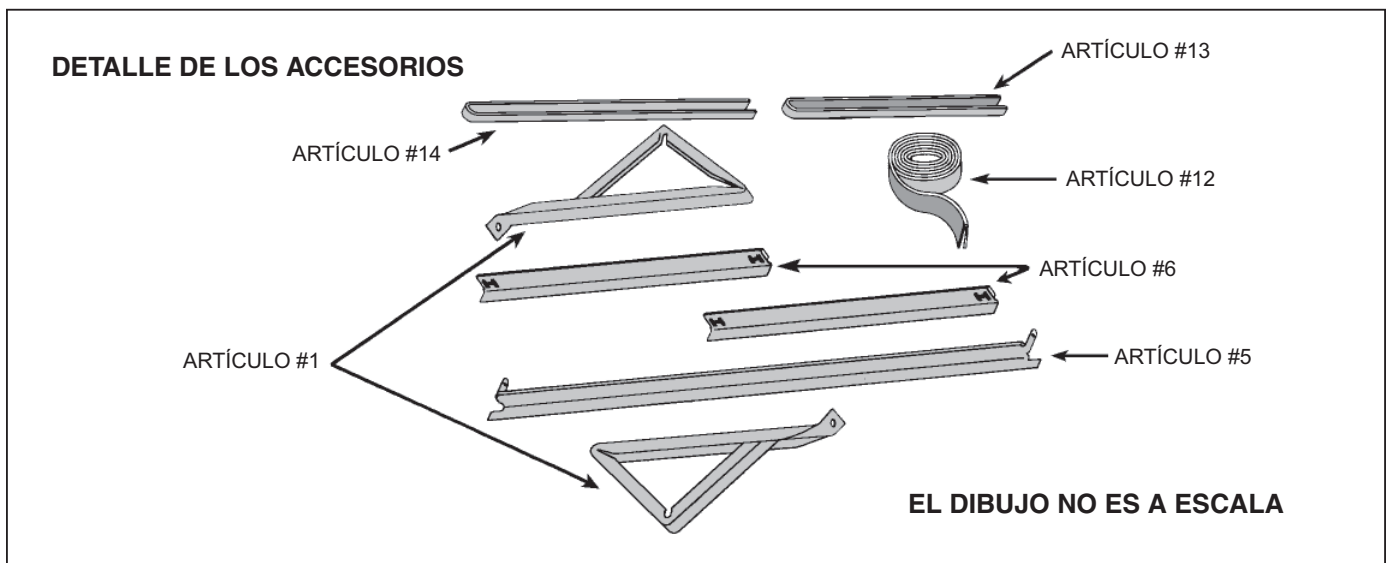
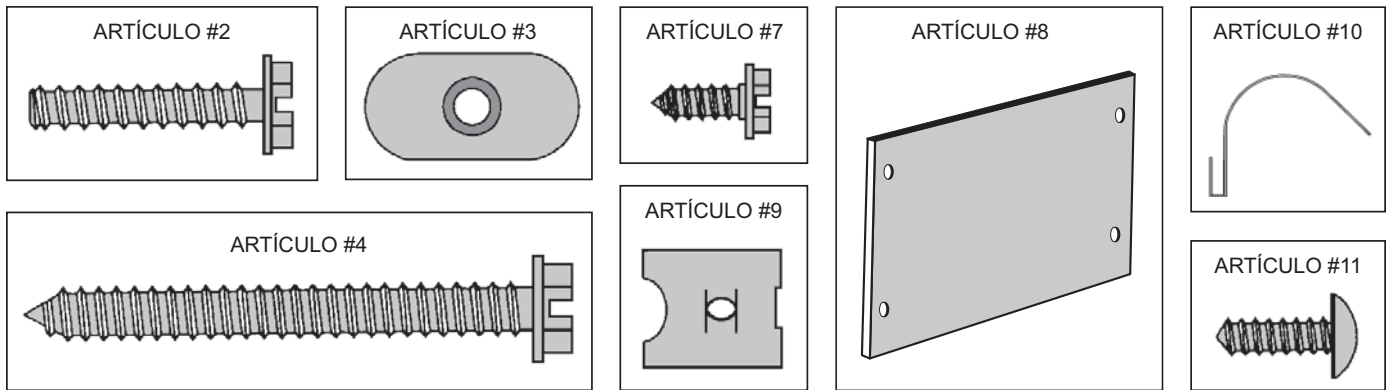
MODELO	TAMAÑO DE LA UNIDAD (ALTURA x ANCHURA x PROFUNDIDAD)
CHASIS PEQUEÑO - SS, ES, YS, KS	405 mm x 660 mm x 695 mm (15 15/16 pulg. x 25 15/16 pulg. x 27 3/8 pulg.)
CHASIS MEDIANO - SM, EM, YM, KM	455 mm x 660 mm x 695 mm (17 15/16 pulg. x 25 15/16 pulg. x 27 3/8 pulg.)
CHASIS GRANDE - SL, EL, YL	513 mm x 711 mm x 854 mm (20 3/16 pulg. x 28 pulg. x 33 5/8 pulg.)

Material de instalación en ventana

ARTÍCULO	DESCRIPCIÓN	CANTIDAD
PARTES DEL ESTANTE		
1	ÁNGULO DE APOYO	2
2	TORNILLO HEXAGONAL, TIPO 10-24 x 1 pulg.	4
3	TUERCA PLANA TIPO 10-24	4
4	TORNILLOS PARA CHAPA DE METAL TIPO 12A x 2 pulg.	7
ÁNGULO DE MONTURA DEL TABLERO DE SOPORTE		
5	ÁNGULO DEL TABLERO DE SOPORTE, PARTE SUPERIOR	1
6	ÁNGULO DEL TABLERO DE SOPORTE, PARTE LATERAL	2
7	TORNILLOS PARA CHAPA DE METAL TIPO 8A x 3/8 pulg.	2
PARTES DE LA MONTURA DEL TABLERO DE SOPORTE		
8	TABLERO DE SOPORTE (MAMPOSTERÍA)	1
9	SUJETADORES DE TIPO "J"	4
10	CLIPS DEL TABLERO DE SOPORTE (MUELLE DE ACERO)	4
11	TORNILLOS PHILLIPS TRUSS TIPO 8A x 1/2 pulg.	4
JUNTA SELLADORA DE LA VENTANA		
12	SELLADOR (DE VINILO)	1
13	SELLADOR DE VENTANA (GOMAESPUMA OSCURA)	1
14	SELLADOR DEL CHASIS (GOMAESPUMA CLARA)	1

Material de instalación de pared

ARTÍCULO	DESCRIPCIÓN	CANTIDAD
PARTES DEL ESTANTE		
1	TORNILLOS PARA CHAPA DE METAL TIPO 12A x 2 pulg.	7
2	SELLADOR DEL CHASIS (GOMAESPUMA CLARA)	1



Instalación estándar del marco de la ventana

⚠ ADVERTENCIA

Peligro de caída de objetos

No seguir las instrucciones de instalación para montar su aire acondicionado puede ocasionar daños a la propiedad, lesiones físicas o la muerte.



- PASO 1** Quite el plástico decorativo de la rejilla y póngalo aparte de la unidad. Puede quitar la rejilla estirando de los lados por arriba o por abajo.
- PASO 2** Deje el material de instalación lejos de la unidad.
- PASO 3** Quite la sujeción del chasis destornillando el tornillo de la derecha de la bandeja (véase la figura A); guarde el tornillo para volver a colocar la sujeción del chasis después de la instalación (Paso 15). Deshágase de los dos tornillos de sujeción y de las tuercas de plástico negro de la parte posterior de la unidad.
- PASO 4** Con ayuda de otra persona que le sujete la caja, tire del asa de delante de la bandeja y saque el chasis de la caja tirando de la correa (véase la figura A). **QUITE LOS BLOQUES DE CORCHO BLANCO DEL EMBALAJE DEL COMPRESOR. DETALLE DE LOS ACCESORIOS.** Inspeccione la bandeja por si tiene alguna parte suelta y sáquela. No quite ninguna otra parte de corcho.

PASO 5 Sujete los ángulos laterales (artículo 6) insertando las pestañas en los enganches de los bordes de la repisa (véase la figura B). Sujete las pestañas del extremo del ángulo superior (artículo 5) a los enganches del extremo del ángulo lateral (véase la figura B). Con los dos tornillos (artículo 7) atornille las pestañas del ángulo superior al ángulo lateral de la caja (véase la figura B).

PASO 6 Inspeccione la repisa y el marco de la ventana para ver si están en buenas condiciones y bien sujetos a la pared. Haga las reparaciones que sean necesarias.

PASO 7 MONTAJE DE LA CAJA – Coloque el marco inferior de la ventana $\frac{1}{4}$ de pulgada más alto que la caja. Deslice la caja en la ventana hasta que la placa de la repisa quede detrás de la repisa de la ventana y el soporte superior contra la ventana (véase la figura C.) Céntrela y perforo tres (3) agujeros piloto de $\frac{5}{32}$ pulg. de diámetro en la repisa de la ventana utilizando la placa de la repisa de la caja como plantilla. Atornille con tres (3) tornillos tipo 12A x 2 pulg. de largo (artículo 4, figura C).

⚠ PRECAUCIÓN

Peligro de peso excesivo

Pida la ayuda de dos o más personas al instalar su aire acondicionado.

No hacerlo puede provocar lesiones en la espalda o en otras partes del cuerpo.

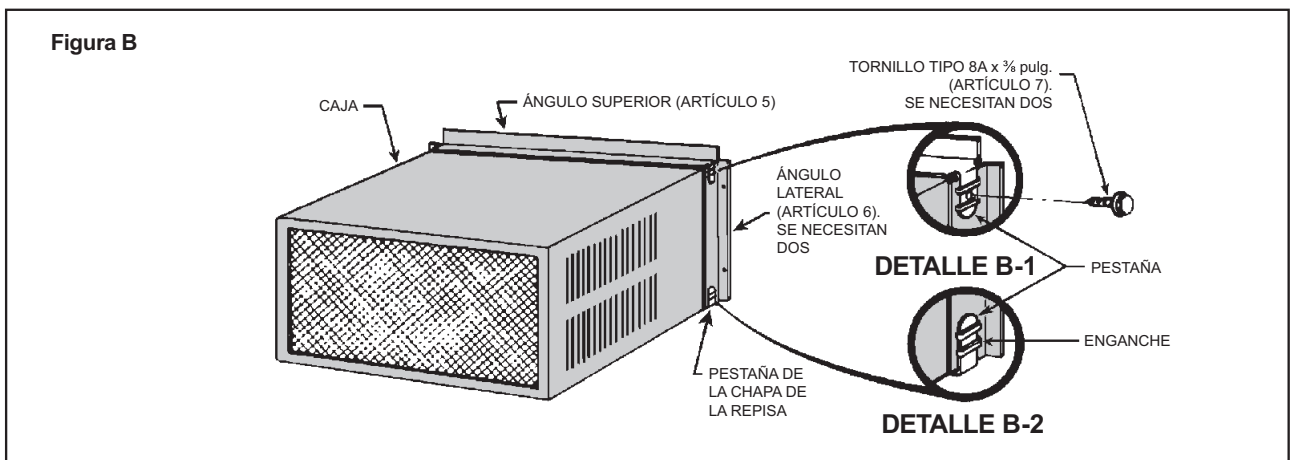
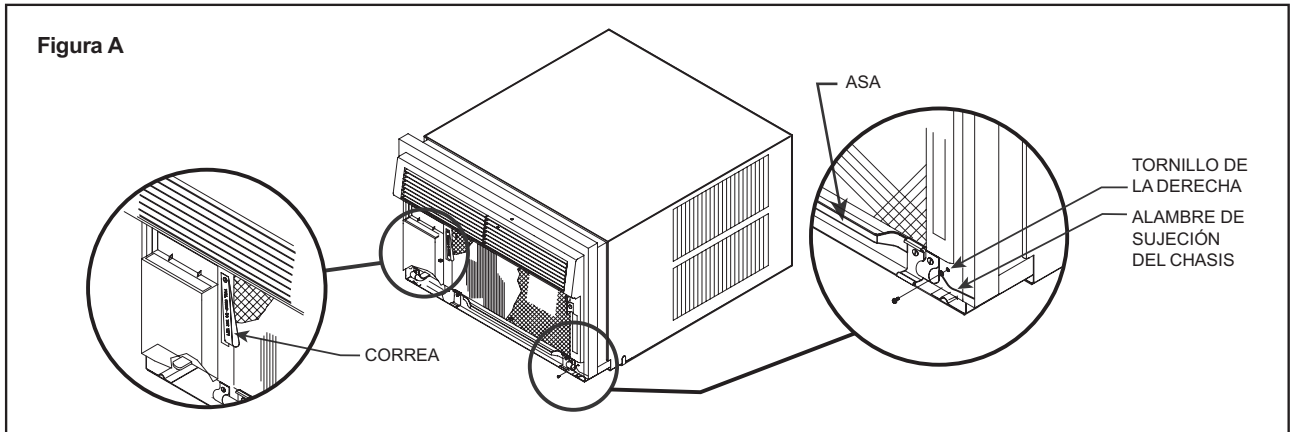
⚠ PRECAUCIÓN



Riesgos de cortadas/amputaciones

Aunque se ha tenido mucho cuidado para minimizar los bordes filosos en la construcción de su unidad, utilice guantes u otro tipo de protección para las manos al manejar la unidad.

No hacerlo puede ocasionar lesiones físicas de leves a moderadas.



PASO 8 INSTALACIÓN DEL SOPORTE EXTERIOR – Sujete los ángulos de soporte (artículo 1) a los rieles inferiores de la caja con cuatro (4) tornillos tipo 10-24 de 1 pulgada (artículo 2) y cuatro (4) tuercas tipo 10-24 (artículo 3). Ajuste los ángulos de soporte hasta que las almohadillas de bajo toquen la pared (EN PAREDES RECUBIERTAS DE ALUMINIO O DE VINILO DEBE UTILIZAR UN ESPACIADOR DE 1 x 4 pulg. o 2 x 4 pulg. ENTRE LA PARED Y LOS ÁNGULOS DE SOPORTE). Perfore tres (3) agujeros piloto de 5/32 pulg. de diámetro y atornille los ángulos a la pared con dos (2) tornillos tipo 12A x 2 pulg. (artículo 4). Ajuste los ángulos de soporte en una inclinación de 3/8 pulg. para facilitar el drenaje (véase la figura D). Apriete los tornillos.

AVISO

Se deben respetar las instrucciones para montar a la base de empotrado con pendiente para evitar que entre agua en la habitación.

NOTA: No debe haber nada que obstruya los agujeros de entrada y salida del condensador de aire descargado y procesado para evitar la recirculación del aire caliente expulsado.

Estas ilustraciones muestran cómo se hace la instalación en un marco de construcción estándar y dan ideas sobre cómo adaptar los ángulos de soporte a paredes más gruesas y a cornisas grandes de piedra.

Figura C

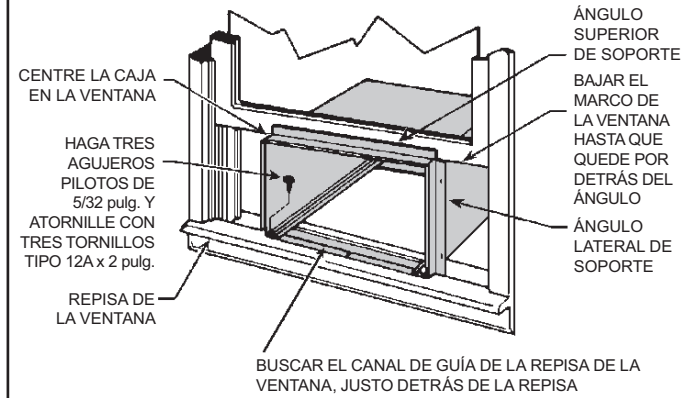
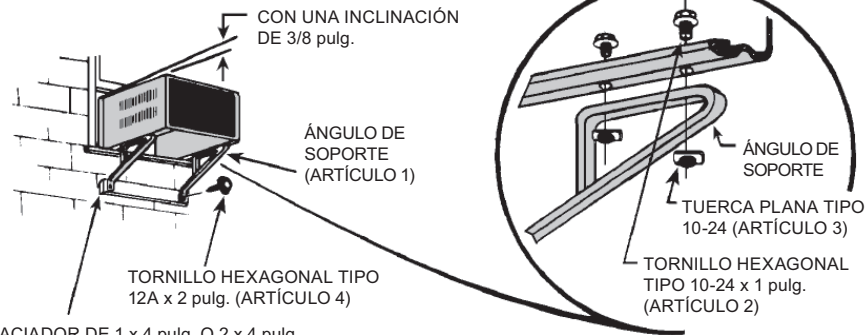
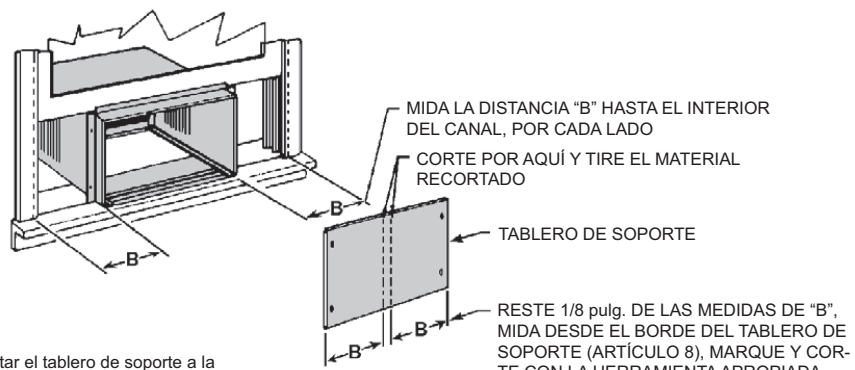


Figura D

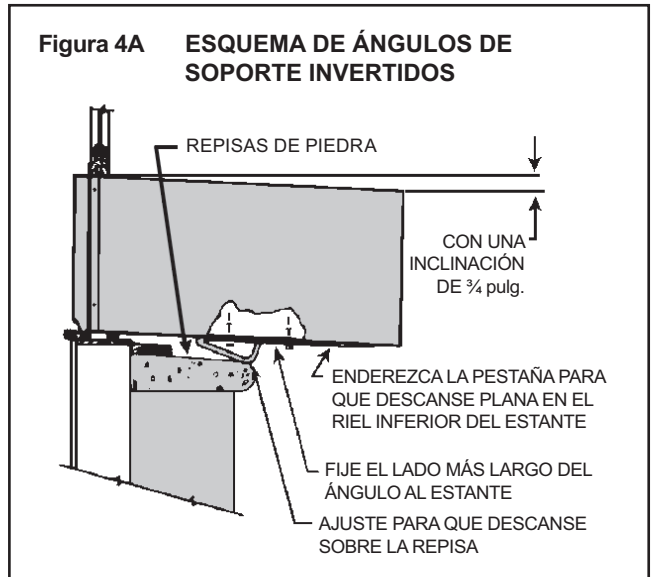
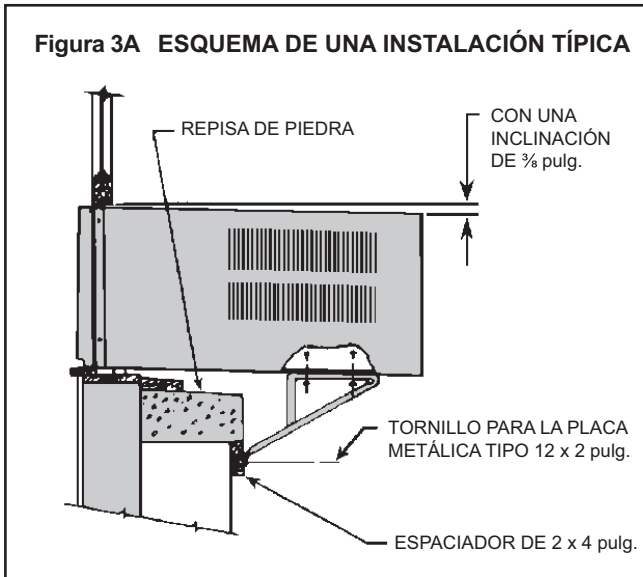
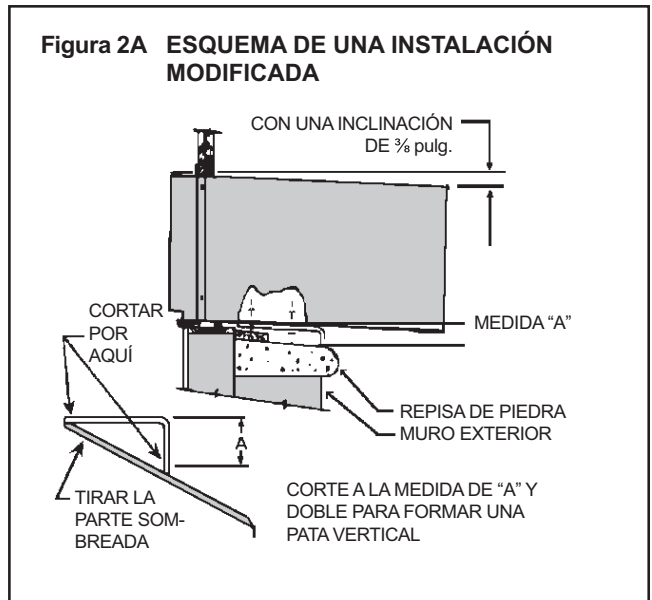
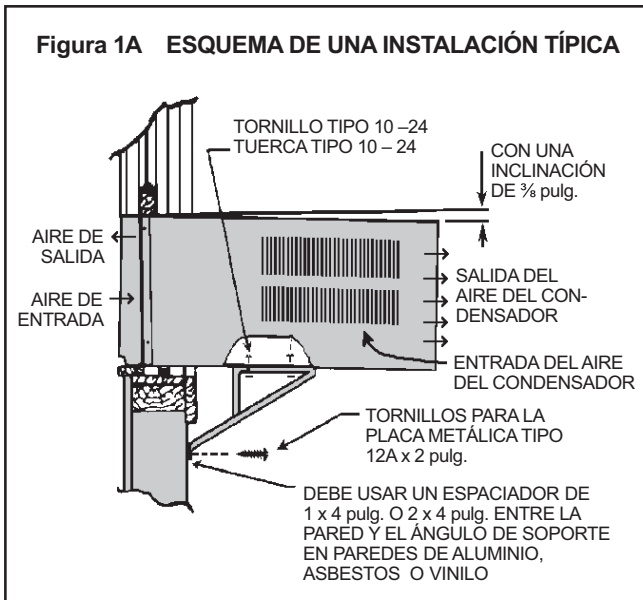


UTILICE UN ESPACIADOR DE 1 x 4 pulg. O 2 x 4 pulg. ENTRE LA PARED Y EL ÁNGULO EN INSTALACIONES DE ALUMINIO, ASBESTOS O VINILO

Figura E



NOTA: No hace falta cortar el tablero de soporte a la medida vertical, sólo al ANCHO horizontal de "B".

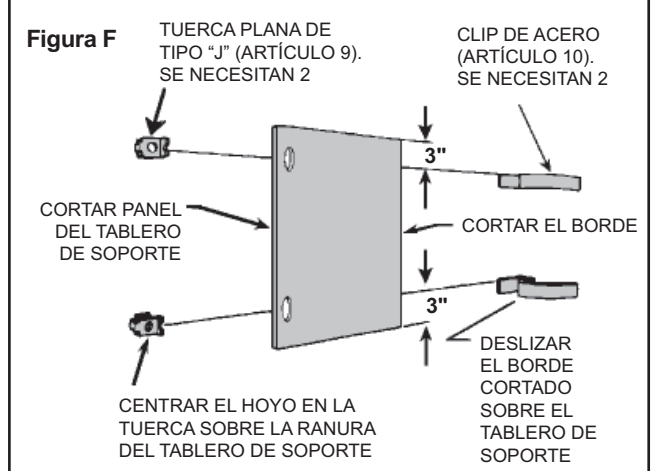


PASO 9 CORTAR LOS PANELES DEL TABLERO DE SOPORTE – Mida y corte los paneles del tablero de soporte sobre la mampostería que se proporciona (artículo 8) para cubrir el espacio entre los canales laterales de la ventana y los lados de la caja. (véase la figura E).

NOTA: DESPUÉS DE CORTAR LOS PANELES HAGA UNA PRUEBA PARA VER SI ENCAJAN EN EL ESPACIO DEJANDO UNAS 18 PULGADAS LIBRES ANTES DE SEGUIR CON EL PASO 10.

PASO 10 SUJETE LOS CLIPS A LOS PANELES DEL TABLERO DE SOPORTE

Sujete las tuercas de sujeción de tipo "J" (artículo 9) y los muelles de acero (artículo 10) a los bordes de los paneles cortados del tablero de soporte (véase la figura F).



AVISO

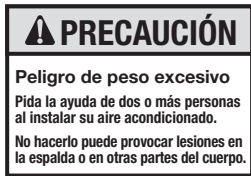
Se deben respetar las instrucciones para montar a la base de empotraje con pendiente para evitar que entre agua en la habitación.

PASO 11 INSTALE LOS PANELES LATERALES DEL TABLERO DE SOPORTE – Asegúrese de fijar bien la caja a la repisa de la ventana y de instalar los ángulos de soporte como se muestra en la figura D. Suba el marco de la ventana e instale los paneles laterales del tablero de soporte (véase la figura G).

PASO 12 INSTALE LAS JUNTAS SELLADORAS DE LA VENTANA – Mida y corte la junta selladora de vinilo de la ventana (de color gris, artículo 12) según el ancho de la ventana e instálela como se muestra en la figura H. Baje el marco de la ventana hasta que descansa detrás de la junta. Mida y corte la junta selladora de goma espuma negra de la ventana (artículo 13) e instálela entre el cristal superior de la ventana y la parte superior del marco inferior. (véase la figura H).

NOTA: POR MOTIVOS DE SEGURIDAD, EL CLIENTE TIENE QUE ASEGURAR QUE NO SE PUEDA ABRIR LA VENTANA.

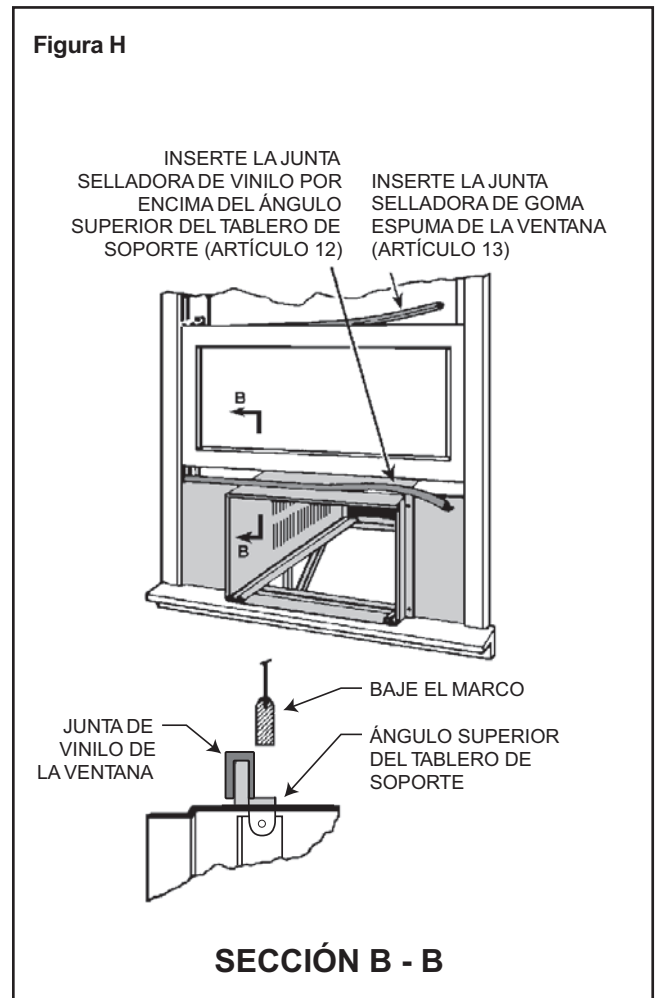
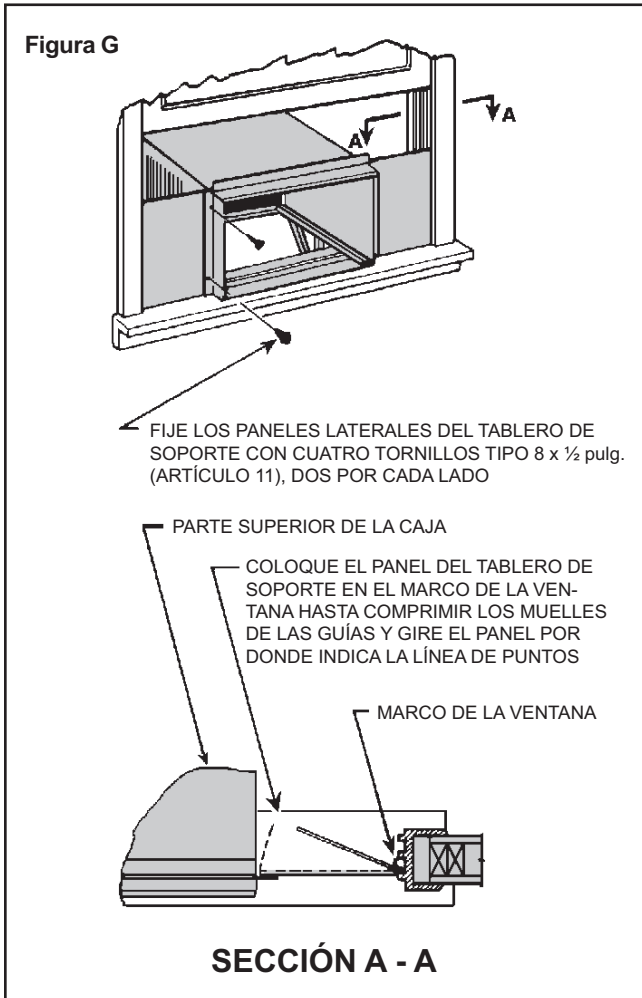
PASO 13 Cuando sea posible, selle el exterior de la instalación con material de sellado industrial para evitar que se filtre el aire.



PASO 14 INSTALE EL CHASIS – Tras instalar la carcasa, deslice el chasis en la carcasa hasta que quede aproximadamente a 3 pulgadas del fondo. Rellene un espacio de una pulgada entre el chasis y la carcasa con el sellador del chasis (véase la figura I). Comience por una de las esquinas inferiores, suba hacia arriba y siga todo el contorno. Cuando termine de colocar el relleno, empuje el chasis hasta el fondo hasta que la parte plástica de delante toque el borde frontal de la carcasa.

Si no instala el sellador del chasis, la unidad no funcionará correctamente, hará más ruido al funcionar y amplificará el sonido procedente de fuera.

PASO 15 Vuelva a sujetar el alambre de sujeción del chasis con el mismo tornillo, del paso 3 (véase la figura A).

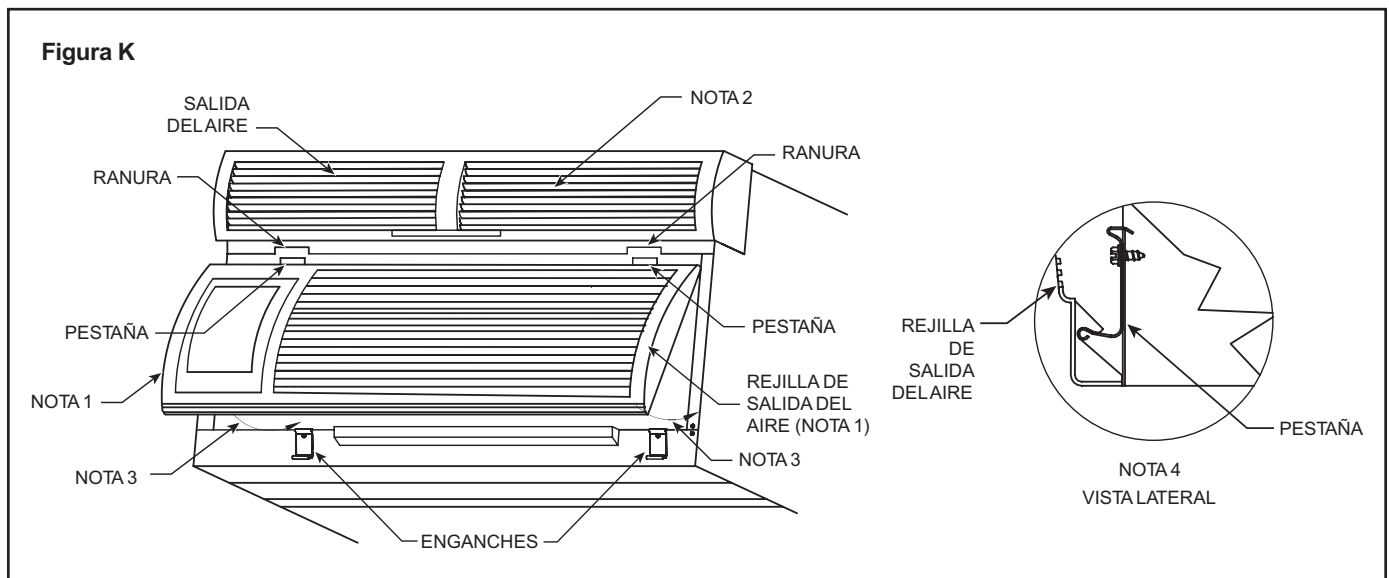
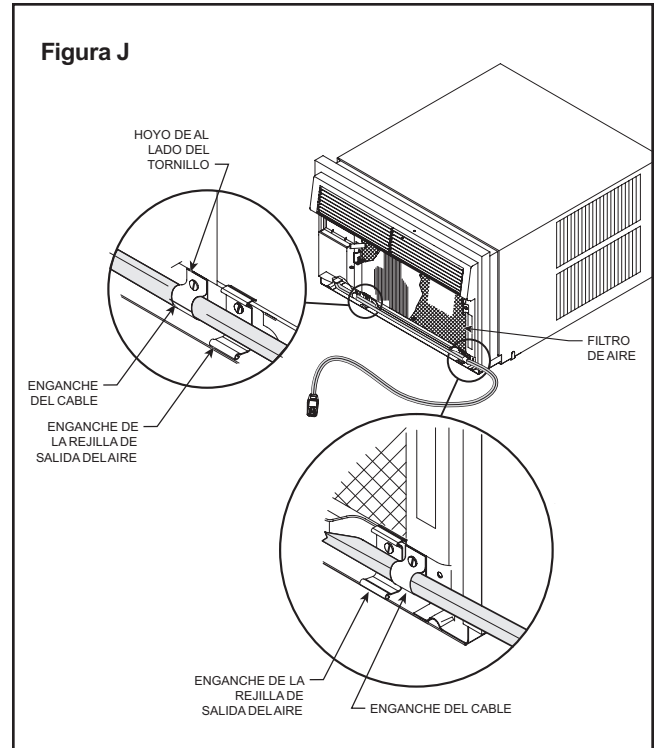
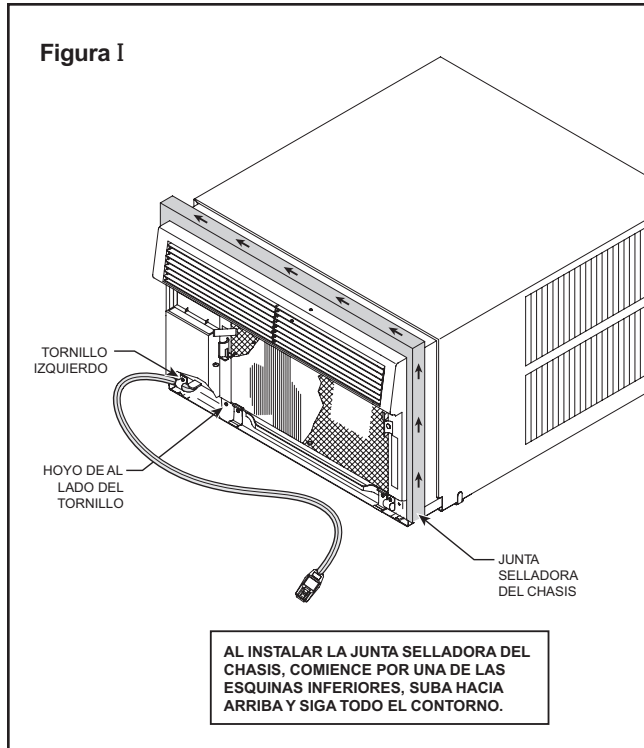


PASO 16 OPCIONAL: La unidad viene de fábrica con el cable de alimentación a la izquierda, pero si el cliente quiere puede ponerlo a la derecha. Para ello, quite la pinza de goma negra de debajo del tornillo del extremo izquierdo (véase la figura I) y vuelva a colocar el tornillo en el agujero. Pase el cable por arriba de los enganches de la rejilla del aire y ponga la pinza en el agujero del tornillo que hay al lado (Figuras I y J). Quite la pinza del lado derecho, pase el cable por la pinza y vuelva a engancharla. Tense el cable para que no quede colgando sobre los enganches de la rejilla del aire.

PASO 17 Asegúrese de que el filtro esté en su sitio antes de instalar la rejilla del aire (véase la figura J) y de que el cable esté bien puesto para que no interfiera con la instalación (véase el paso 16.)

PASO 18 Sujete la rejilla por los lados, cerca de la parte inferior (véase la figura K, nota 1.) Levante la rejilla e inserte las pestañas de la rejilla en las ranuras inferiores de la puerta de salida del aire (véase la figura K, nota 2). Encaje la ranura en su sitio levantando la rejilla e insertándola en los enganches de la parte inferior (Véase la figura K, notas 3 y 4).

PASO 19 Consulte las Instrucciones de funcionamiento de la página 21.



Instalación de pared

Siga estas instrucciones para instalar en madera, mampostería, ladrillo, cemento o paredes de ladrillo gris

⚠ ADVERTENCIA

Peligro de caída de objetos

No seguir las instrucciones de instalación para montar su aire acondicionado puede ocasionar daños a la propiedad, lesiones físicas o la muerte.



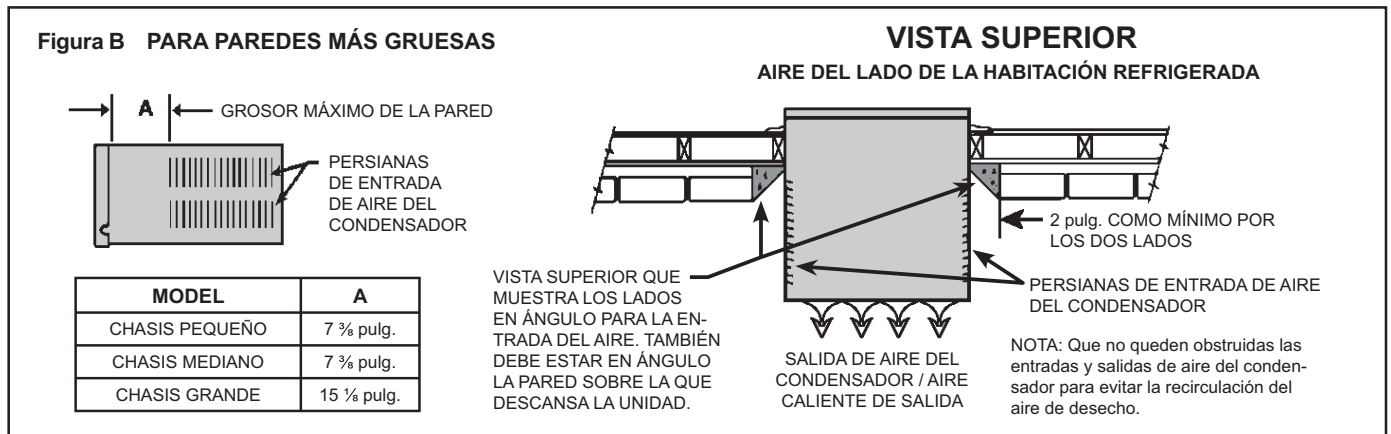
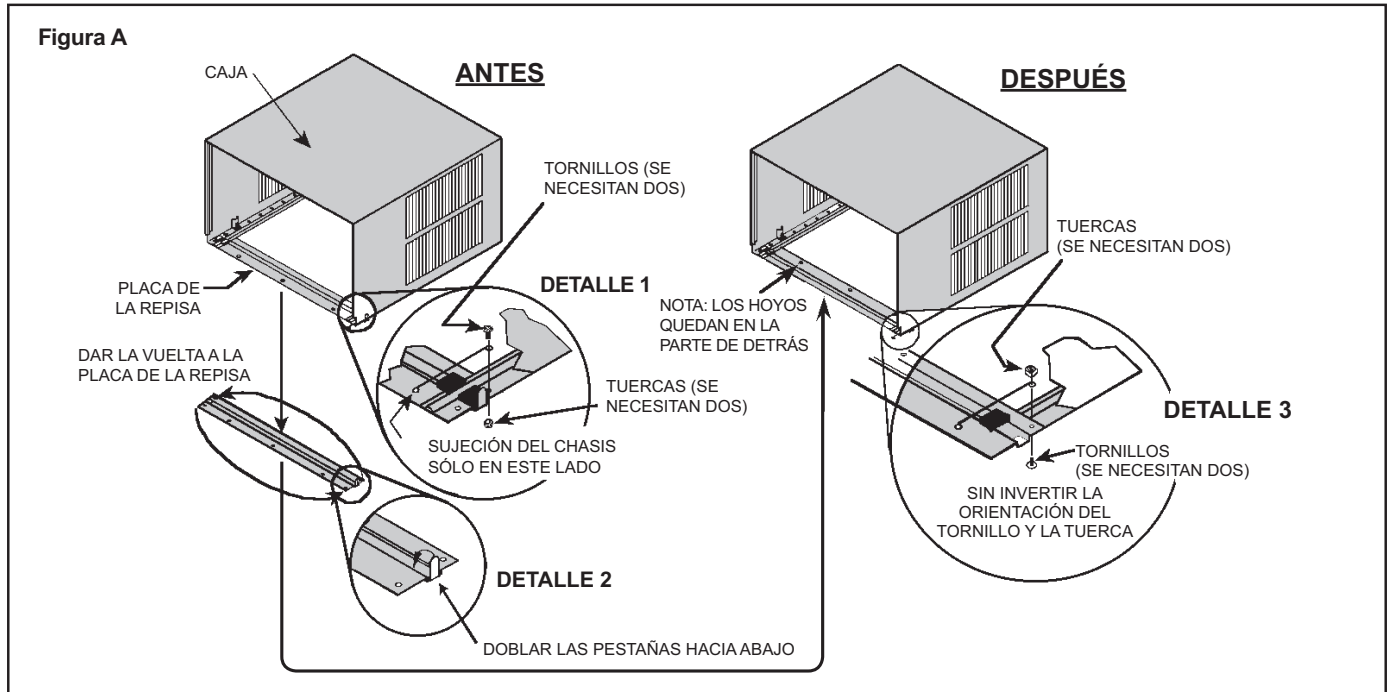
Note que el chasis está sujeto por una tuerca y un tornillo al lado derecho (véase el detalle 1 de la figura A). Doble las pestañas de la placa para meterlas en el canal o córtelas (véase el detalle 2 de la figura A). Gire la placa de la repisa 180° y vuelva a montarla. Cambie la orientación de las tuercas y los tornillos de modo que la cabeza del tornillo quede por debajo de la caja, mirando hacia arriba, y que la tuerca quede arriba, mirando hacia abajo (véase el detalle 3 de la figura A). Vuelva a colocar la sujeción del chasis y vuelva a montarlo como se muestra en el detalle.

PASO 1 Siga los pasos 1 a 4 de las instrucciones de "INSTALACIÓN ESTÁNDAR DEL MARCO DE LA VENTANA" de la página 28.

PASO 2 PREPARACIÓN DE LA CAJA – Desmonte la placa de la repisa de la caja desatornillando las dos tuercas y tornillos que la sujetan.

PASO 3 PREPARACIÓN DE LA PARED – El máximo grosor permitido para la pared sin necesidad de hacer construcciones especiales depende del tamaño del modelo que instale. LAS PERSIANAS DE ENTRADA DE AIRE DEL CONDENSADOR DE LA PARTE EXTERIOR DE LA CAJA NO PUEDEN QUEDAR BLOQUEADAS DENTRO DE LA PARED. Observe el grosor máximo de pared que se muestra en la gráfica y el diagrama de la figura B.

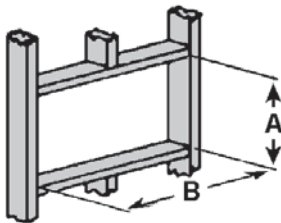
INSTRUCCIONES ESPECIALES PARA PAREDES MÁS GRUESAS – Para instalar en paredes de mayor grosor, siga estas sugerencias.



PASO 4 INSPECCIÓN DE CABLES Y TUBERÍAS: Inspeccione todos los cables y tuberías de dentro y fuera de la pared para asegurarse de no perforar ninguno al cortar el agujero.

PASO 5 CONSTRUCCIÓN DEL AGUJERO: Según el tamaño de la unidad haga un agujero siguiendo las medidas de la gráfica que aparece a continuación. Corte el agujero y enmárquelo con maderos de 2 pulg. x 4 pulg. según las instrucciones de instalación estándar que se muestran en las figuras C, D y E.

NOTA: SI LA CONSTRUCCIÓN DE LA PARED ES NORMAL O DE VIGAS DE 2 x 4 DE LADRILLO O PIEDRA, INSTALE LA UNIDAD ENTRE LAS VIGAS. EN PAREDES DE MAMPOSTERÍA, CEMENTO O LADRILLO GRIS, INSTALE LA UNIDAD DONDE LE CONVenga.



MEDIDAS	CHASIS PEQUEÑO	CHASIS MEDIANO	CHASIS GRANDE
A	16 3/16 pulg.	18 3/16 pulg.	20 3/8 pulg.
B	26 3/16 pulg.	26 3/16 pulg.	28 1/4 pulg.

NOTA: ÉSTAS SON LAS MEDIDAS DEL AGUJERO FINALIZADO.

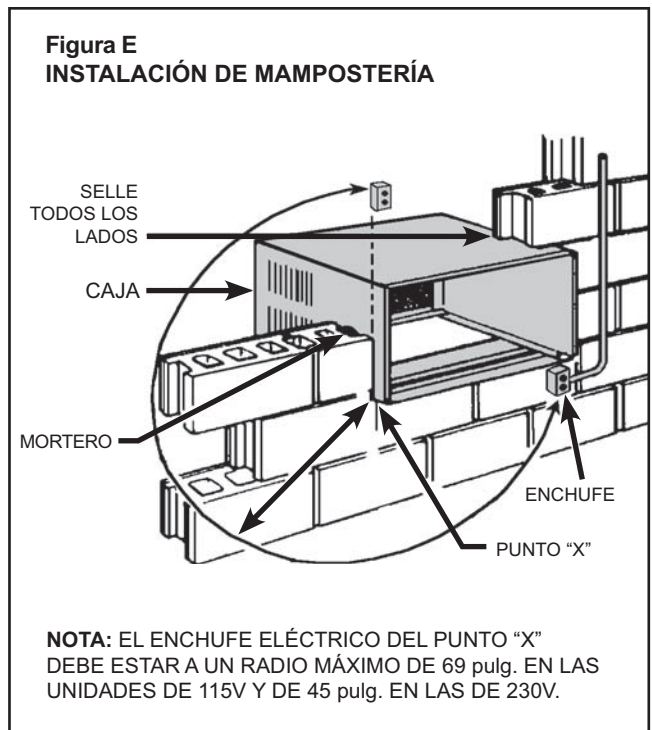
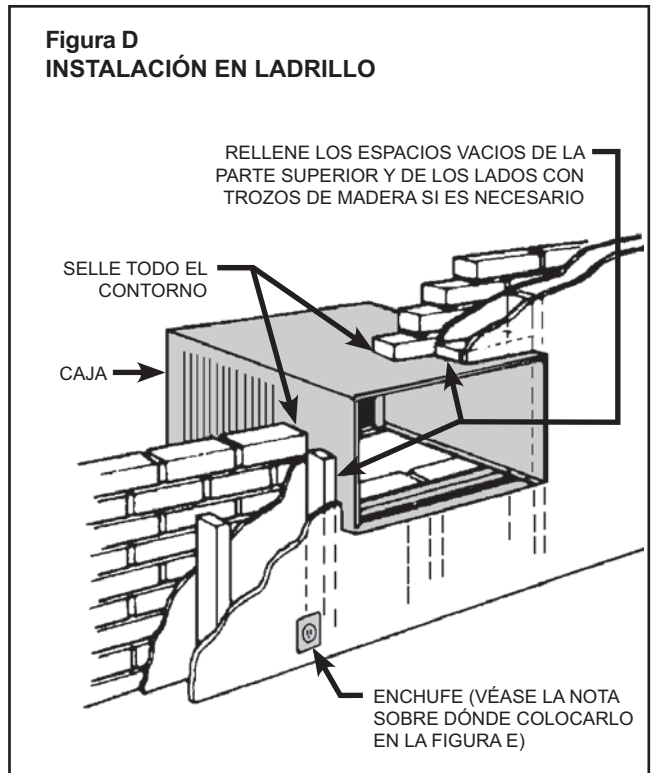
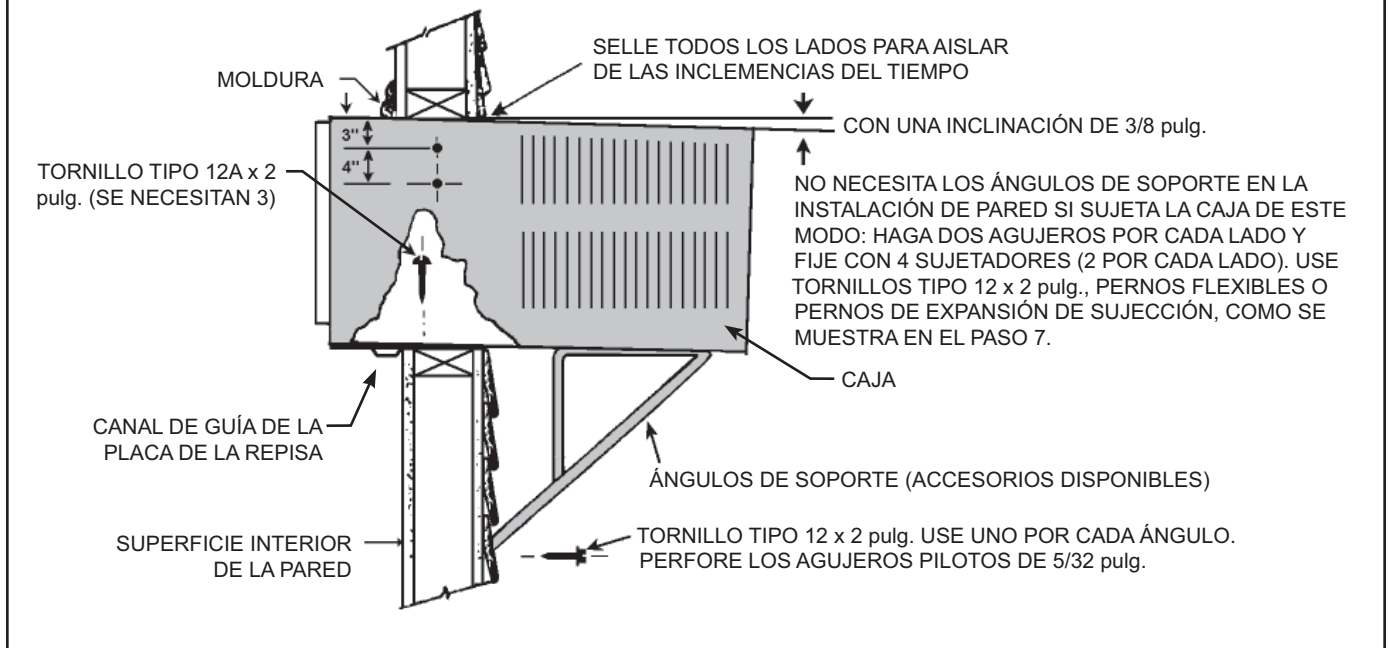


Figura F INSTALACIÓN TÍPICA



PASO 6 Deslice la caja en el agujero hasta que el canal guía de la placa de la repisa toque el interior de la pared (véase la figura F).

PASO 7 Perfore tres (3) agujeros piloto de 5/32 pulg. de diámetro en la placa y en el marco y atornille con tres (3) tornillos tipo 12A x 2 pulg. (véase la figura F).

NOTA: PUEDE UTILIZAR OTROS TORNILLOS PARA SUJETAR LA PLACA A LA PARED Y LOS ÁNGULOS DE SOPORTE AL MURO EXTERIOR (NO SE SUMINISTRAN CON LA UNIDAD PERO SE PUEDEN COMPRAR EN CUALQUIER FERRETERÍA).



PERNO DE EXPANSIÓN DE SUJECCIÓN



PERNO FLEXIBLE

PASO 8 Perfore dos (2) agujeros piloto de 5/32 pulg. de diámetro en los dos lados de la caja, como se muestra en la ilustración (véase la figura F) y atornille con cuatro (4) tornillos tipo 12A x 2 pulg. (artículo 4, página 27). Si el paso 5 (agujero) permite montar bien la unidad en vigas verticales, no hacen falta los ángulos de soporte. La instalación necesita soportar el peso de la unidad y un peso adicional de 400 libras en la parte posterior de la caja.

Si tiene ángulos de soporte puede utilizarlos en la instalación de pared como se muestra en la figura F.

Si no está seguro de que la pared aguante, puede pedir un kit de instalación en ventana que incluye los ángulos de soporte (véase Accesorios).

PASO 9 Si lo desea, puede enmarcar la caja por la parte interior de la habitación con la moldura del instalador (véase la figura F).

PASO 10 Complete la instalación siguiendo los pasos 13 a 18 de las **INSTRUCCIONES DE INSTALACIÓN EN VENTANA**, páginas 31-32.

PASO 11 Consulte la sección de **FUNCIONAMIENTO** para más instrucciones.

AVISO

Se deben respetar las instrucciones para montar a la base de empotrado con pendiente para evitar que entre agua en la habitación.

Consejos para solucionar problemas

Fallo de la corriente

Si se va la corriente, la función de reinicio automático hará que la unidad continúe funcionando en el mismo modo en que estaba funcionando antes de que se fuera la corriente.

¿No enfría?

Si funciona pero no enfría, mire si los controles están bien ajustados. Limpie el filtro detalladamente si es necesario. Compruebe si está cerrada la puerta de ventilación. Compruebe si está instalada la junta selladora del chasis (consulte las instrucciones de instalación).

¿No funciona?

Asegúrese de que está bien enchufado. Compruebe si tiene algún fusible defectuoso o si ha saltado el interruptor o el dispositivo LCDI. Consulte las instrucciones de la página 21 para restablecer el dispositivo LCDI y para ver si los fusibles son del tamaño apropiado.

Sólo para los modelos QuietMaster Programable:

Puede restablecer el circuito pulsando a la vez los botones "Moneysaver" y "Check Filter". Comenzará a parpadear el indicador luminoso LED (la lucecita roja) de "Check Filter". Cuando pase eso, apague la unidad con el botón **On/Off** y desenchúfelo. Vuelva a enchufarlo y a encenderlo con el botón **On/Off**. La unidad volverá a los ajustes de fábrica.

Es una unidad para climas templados

Esta unidad de aire acondicionado sirve para enfriar en climas templados con temperaturas exteriores por encima de los 16°C (60°F) y por debajo de los 46°C (115°F) por lo que no enfriará la habitación cuando hace frío afuera. Si quiere enfriar una habitación en primavera o en otoño, pulse **Fan Only** y ajuste el control **Fresh Air/exhaust** a **Fresh Air** para que entre aire fresco de fuera.

La condensación es normal

Normalmente, las unidades de aire acondicionado expulsan el calor y la humedad de la habitación al exterior. La humedad se convierte en agua y la unidad utilice la mayor parte del agua para mantener fría la bobina exterior. Si hace demasiada humedad puede gotear agua por fuera. Esto es normal

Escarcha

Se produce normalmente porque no hay suficiente corriente de aire en las bobinas, el filtro está sucio, hace humedad y frío o todas estas cosas juntas. Si ajusta la unidad a Fan Only desaparecerá la escarcha. Subir un poco el termostato puede ayudar a prevenir que se vuelva a formar escarcha.

Ruido

Todas las unidades de aire acondicionado hacen un poco de ruido. Las unidades QuietMaster® son de un diseño muy silencioso. Las unidades instaladas en pared son más silenciosas que los de instalación de ventana. Es importante que la junta selladora del chasis esté bien instalada (consulte las instrucciones de instalación).

Limpieza de la unidad de aire acondicionado

Puede limpiar la parte frontal decorativa y la caja con agua caliente y un detergente líquido suave. La bobina interior se puede aspirar con la aspiradora. La bobina exterior se puede rociar con una manguera, pero si no tiene acceso al exterior, llame al distribuidor para una limpieza más a fondo cuando sea necesaria. Debe inspeccionar el filtro todas las semanas y limpiarlo si hace falta con la aspiradora o en la pila, con agua caliente y un detergente líquido suave. Seque completamente el filtro antes de volver a colocarlo en su sitio. Colóquelo con cuidado porque la superficie es cortante.

Las bombas de calor funcionan de varias maneras

Si su unidad es de tipo "Y" o de bomba de calor, necesita saber varias cosas.

Algunas de las funciones de la bomba de calor actúan de otra manera cuando la unidad se utilice para calentar:

1. Es normal que se forme hielo en la bobina exterior de la bomba de calor. La humedad del exterior al pasar por la bobina cuando hace mucho frío se convierte en hielo.
2. Si la temperatura exterior baja por debajo de los 3°C (37°F) la bomba de calor calienta automáticamente la resistencia eléctrica. Si la temperatura sube por encima de los 4°C (40°F), el compresor vuelve a poner en marcha la bomba de calor. Si su unidad es de 115 voltios (YS09), es un modelo para climas templados y no tiene calefacción eléctrica y no calentará bien por debajo de los 3°C (37°F).

⚠ ADVERTENCIA



Peligro de choque eléctrico

Desconecte la energía eléctrica antes de dar mantenimiento.

Cambie todas las partes y paneles antes de operar.

No hacerlo puede resultar en la muerte o un choque eléctrico.

Accesorios disponibles

Kit de drenaje DC - No. de parte 01900235

En algunas instalaciones, la condensación de agua en exceso causada por condiciones de humedad extremas puede resultar en un goteo de agua no deseado como en un patio o sobre una entrada. EL KIT DE DRENAJE MODELO DC-2 (No. de parte 01900-235) puede instalarse para vaciar la condensación en exceso.

ESTOS ACCESORIOS PUEDEN ORDENARSE A SU DISTRIBUIDOR FRIEDRICH.

Kits de instalación en la ventana

Los acondicionadores de aire TwinTemp o de calefacción/enfriamiento se envían sin equipo para instalación en ventanas porque rara vez se instalan en la ventana; existen kits disponibles para instalación en ventanas. Dependiendo del tamaño del chasis para el que se desea un kit de instalación, ordene:

- WIKS para chasis pequeño (modelos ES, YS)
- WIKM para chasis mediano (modelos EM, YM)
- WIKL para chasis grande (modelos EL, YL)



Friedrich Air Conditioning Company
 P.O. Box 1540
 San Antonio, TX 78295
 210.357.4400
 www.friedrich.com

GARANTÍA LIMITADA PARA UNIDADES DE AIRE ACONDICIONADO DE TIPO VENTANA

EL PRIMER AÑO

TODAS LAS PARTES: Si falla cualquier componente de FRIEDRICH por defecto de fabricación o de material en los primeros doce meses a partir de la fecha de compra, FRIEDRICH reparará el producto gratuitamente si el acceso a la unidad es razonable. El propietario será responsable de los gastos adicionales por la extracción de partes inaccesibles y gastos de viaje si el trayecto de ida de la compañía de reparaciones es superior a los 46 kilómetros. Éste es el único remedio explícitamente acordado para los primeros doce meses a partir de la fecha original de compra.

DEL SEGUNDO AL QUINTO AÑO

SISTEMA SELLADO DE REFRIGERACIÓN: Si falla el sistema sellado de refrigeración (a estos efectos comprende el compresor, la bobina del condensador, la bobina del evaporador, la válvula de inversión, los capilares, el secador del filtro y todas las tuberías de conexión) suministrado por FRIEDRICH por defecto de fabricación o de material en el período de sesenta meses a partir de la fecha de compra, FRIEDRICH pagará una parte de los gastos de trabajo y los componentes necesarios para reparar el sistema. FRIEDRICH no se hace responsable de los gastos de diagnóstico, extracción, carga, transporte del lugar donde está instalado al centro de reparación, ni reinstalación de la unidad. Estos gastos son responsabilidad del propietario. Éste es el único remedio explícitamente acordado para los primeros sesenta meses a partir de la fecha original de compra.

APLICABILIDAD Y RESTRICCIONES: Estas garantías sólo tendrán vigencia mientras la unidad permanezca en los cincuenta estados de los Estados Unidos, el Distrito de Colombia y Canadá. La garantía excluye:

1. Filtros de aire o fusibles.
2. Productos sin el número de serie o modelo.
3. Productos defectuosos o dañados como resultado de la instalación incorrecta o el uso incorrecto de cables o corriente eléctrica, o mantenimiento inadecuado, o de accidentes, uso o abuso indebido, incendios, inundaciones, alteraciones o aplicaciones incorrectas del producto, y/o unidades instaladas en atmósferas corrosivas, fallos o retrasos de funcionamiento por casos de Guerra, restricciones de gobierno, huelgas, escasez de materiales fuera del control de FRIEDRICH, o actos de fuerza mayor.

PARA OBTENER SERVICIOS BAJO GARANTÍA: Recibirá servicio de la organización de servicio o el distribuidor autorizado por FRIEDRICH en su zona. Puede encontrar esta información en las páginas amarillas. Si necesita ayuda para obtener servicios de acuerdo con la garantía, escriba a: Room Air Conditioner Service Manager, Friedrich Air Conditioning Co., P.O. Box 1540, San Antonio, TX 78295-1540.

LIMITACIONES: ESTA GARANTÍA SE DA EN LUGAR DE TODAS LAS DEMÁS. LAS GARANTÍAS IMPLÍCITAS DE BUEN FUNCIONAMIENTO PARA PROPÓSITOS ESPECIALES Y/O MERCANCÍA SE LIMITAN A LA DURACIÓN DE ESTA GARANTÍA EXPLÍCITA. EL FABRICANTE RECHAZA EXPLÍCITAMENTE LA RESPONSABILIDAD DE LOS DAÑOS CONSECUENTES O ACCIDENTALES QUE SE PRODUZCAN POR EL INCUMPLIMIENTO DE CUALQUIER GARANTÍA EXPLÍCITA O IMPLÍCITA.

NOTA: Algunos estados no tienen limitaciones sobre la duración de garantías implícitas ni permiten limitar o excluir los daños consecuentes o accidentales, por lo que es posible que estas exclusiones y limitaciones no le afecten a usted.

INFORMACIÓN ADICIONAL: Esta garantía le da a usted derechos legales específicos. Puede que usted tenga otros derechos adicionales que varían de un estado a otro.

PRUEBA DE COMPRA: El propietario debe presentar prueba de compra para recibir servicio bajo garantía.

El consumidor es el único responsable de todas las llamadas de servicio para explicar el funcionamiento del producto.

Todos los servicios de garantía deben ser proporcionados por una compañía de reparaciones autorizada por FRIEDRICH, a menos que FRIEDRICH autorice las reparaciones con antelación.

Félicitations!

Vous avez acheté ce qu'il y a de plus nouveau en matière de technologie de climatiseur de fenêtre. Votre nouveau climatiseur de fenêtre à rendement élevé de Friedrich vous donnera de nombreuses années de service fiable. De nombreuses fonctions supplémentaires sont intégrées à votre climatiseur Friedrich pour assurer un fonctionnement silencieux, la meilleure circulation d'air frais et sec, des commandes fonctionnelles et le fonctionnement le plus économique.

Table des matières

Fonctionnement du climatiseur

Votre sécurité et la sécurité des autres	38
Avant de faire fonctionner votre unité	39
Pour le meilleur rendement de refroidissement et le meilleur rendement énergétique	39
Comment faire fonctionner votre climatiseur de fenêtre Friedrich	40

Modèles QuietMaster programmables

Pour mettre l'unité en marche	40
Pour régler le mode de fonctionnement	40
Fonction MoneySave®	40
Pour régler la température	40
Pour régler la vitesse du ventilateur	40
Pour activer Smart Fan	40
Pour régler l'horloge	40
Pour régler la minuterie	40
Protection automatique des composants	41
Comment utiliser la télécommande	41

Modèles QuietMaster « K » et robustes / Twintemp

Pour mettre l'unité en marche	42
Pour régler le mode de fonctionnement	42
Pour régler la température	42
Fonction MoneySave®	42

Soin et entretien / contrôle de l'air frais et de l'échappement

Retirer et nettoyer le filtre	43
Contrôle de l'air frais et de l'échappement	43

Installation du climatiseur

Exigences électriques / dimensions du caisson	44
Quincaillerie d'installation	45
Installations dans une fenêtre à guillotine	46
Installations encastrées dans le mur	51
Conseils de dépannage	54
Accessoires	54
Garantie	55

Votre sécurité et la sécurité des autres sont très importantes.

Nous avons délivré de nombreux messages de sécurité importants dans ce manuel et sur votre appareil. Lisez toujours et suivez tous les messages.



Ceci est un symbole d'alerte de sécurité.

Ce symbole vous alerte de dangers potentiels qui peuvent conduire à la mort ou vous blesser, vous et d'autres.

Tous les messages de sécurité suivront le symbole d'alerte de sécurité et soit le mot "AVERTISSEMENT" ou "ATTENTION". Ces mots signifient:

AVERTISSEMENT

Vous pouvez être tué ou blessé gravement si vous ne suivez pas les instructions.

ATTENTION

Vous pouvez vous blesser légèrement ou plus gravement si vous ne suivez pas les instructions.

Tous les messages de sécurité vous indiqueront qu'il y a un danger potentiel, et vous diront comment réduire le risque de blessure, ainsi que ce qui se passera si les instructions ne sont pas suivies.

REMARQUE

Un message vous alertant de blessure potentielle s'appellera "REMARQUE". Une blessure potentielle peut arriver si les instructions ne sont pas suivies.

AVERTISSEMENT : Avant de faire fonctionner votre unité

Assurez-vous que le câblage est adéquat pour votre unité.

Si vous avez des fusibles, ils doivent être à fusion lente. Avant d'installer ou de déplacer cette unité, assurez-vous que l'intensité du courant électrique du disjoncteur ou du fusible à fusion lente n'excède pas l'intensité indiquée à la figure 1.

N'utilisez PAS un cordon d'extension.

Le cordon fourni alimentera l'unité correctement; un cordon d'extension ne le fera pas.

Assurez-vous que la prise est compatible avec la fiche du cordon du climatiseur fourni.

Cela permet d'assurer une mise à la terre adéquate. Si vous avez une prise à deux broches, vous devrez la faire remplacer par une prise mise à la terre par un électricien agréé. La prise mise à la terre doit répondre à toutes les ordonnances et tous les codes locaux et nationaux. Vous ne devez en aucun cas retirer la broche de mise à la terre de la fiche. Vous devez utiliser la fiche à trois broches fournie avec le climatiseur.

Vérification du cordon d'alimentation

Tous les climatiseurs de fenêtre Friedrich sont expédiés de l'usine avec un cordon d'alimentation muni d'un interrupteur de détection de fuite de courant (LCDI). Le dispositif LCDI répond aux exigences UL et NEC pour les cordons reliés à des climatiseurs en vigueur en août 2004.

Pour vérifier votre cordon d'alimentation :

1. Branchez le cordon d'alimentation dans une prise à trois broches mise à la terre.
2. Appuyez sur RESET (voir la figure 2).
3. Appuyez sur TEST (vous entendrez un clic; le bouton « Reset » se déclenche et sort).
4. Appuyez et relâchez RESET (vous entendrez un clic; le bouton « Reset » s'enclenche et demeure enfoncé). Le cordon d'alimentation est prêt à être utilisé.

REMARQUE : Le dispositif LCDI n'est pas conçu pour être utilisé comme interrupteur.

Une fois branchée, l'unité fonctionnera normalement sans devoir réinitialiser le dispositif LCDI.

Si le dispositif ne s'enclenche pas lors du test ou le cordon d'alimentation est endommagé, il doit être remplacé par un nouveau cordon d'alimentation du fabricant. Nous vous recommandons de communiquer avec la Ligne d'assistance technique en composant (800) 541-6645 poste 845. Pour accélérer le service, veuillez avoir vos numéros de modèle et de série à la portée de la main.

⚠ AVERTISSEMENT

DANGER D'ELECTROCHOC

Assurez-vous que la prise électrique soit la même que la prise de votre climatiseur. S'il y a une différence consultez un électricien qualifié.

N'utilisez pas d'adaptateur de prise.
N'utilisez pas de rallonge.
Ne retirez pas la fiche de mise à la terre
Branchez toujours dans une prise à trois.



Ne pas faire cela peut provoquer la mort, un incendie ou un électrochoc.

MODÈLE	PUISSANCE DU CIRCUIT OU FUSIBLE À FUSION LENTE		PRISE MURALE REQUISE	
	AMP	VOLT	N° NEMA	
SS08 • SS10 • SS12 • SS14 KS12 • KS15 • YS09	15	125	5-15R	
SS12 • SS16 • SM18 SM21 • KM18	15	250	6-15R	
SM24 • SL28 • KM24 YS13 • ES12 • ES16	20	250	6-20R	
SL36 • YM18 • YL24 EM18 • EM24 • EL36	30	250	6-30R	

Figure 1

REMARQUE : votre dispositif LCDI ressemblera à une de ces illustrations.

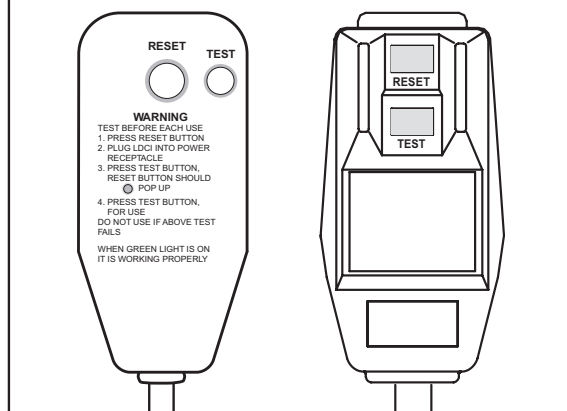


Figure 2

Pour le meilleur rendement de refroidissement et le meilleur rendement énergétique

Garder le filtre propre

Assurez-vous que votre climatiseur est toujours dans son meilleur état de rendement en nettoyant le filtre régulièrement. Les directives pour retirer et nettoyer le filtre se trouvent à la page 43.

Fournir un bon débit d'air

Assurez-vous que la circulation d'air vers et en provenance de l'unité est dégagée. Votre climatiseur diffuse de l'air climatisé dans la partie supérieure de votre unité et admet de l'air non climatisé dans la partie inférieure. Le débit d'air est critique à un bon fonctionnement. Il est aussi important qu'à l'extérieur de l'édifice le débit d'air autour de l'extérieur de l'unité ne soit pas bloqué.

Emplacement de l'unité

Si votre climatiseur peut être placé dans une fenêtre ou un mur qui est ombragé par un arbre ou un autre édifice, il fonctionnera de façon encore

plus efficace. L'utilisation de rideaux ou de stores du côté ensoleillé de l'habitation augmentera aussi l'efficacité de l'unité.

Isolation

Une bonne isolation peut grandement aider à maintenir les niveaux de confort recherchés. Les portes doivent avoir des bourrelets de calfeutrage. Assurez-vous de calfeutrer autour des portes et des fenêtres.

Installation appropriée d'un joint d'étanchéité

Assurez-vous que le joint d'étanchéité a bien été appliqué pour minimiser le bruit et améliorer l'efficacité. Si le joint d'étanchéité n'a pas été appliqué, veuillez vous reporter à l'étape 14 (page 49) des directives d'installation.

De plus, si vous passez du mode **Cool** au mode **Fan Only** et retournez au mode **Cool**, il y a un délai de trois minutes avant que le compresseur ne se remette en marche.

Comment faire fonctionner votre climatiseur de fenêtre Friedrich (QuietMaster programmable)

Pour mettre l'unité en marche

- ① Si votre climatiseur est installé et branché dans une prise appropriée, il est prêt à être utilisé. Appuyez sur le bouton **Power** une fois. L'unité sera automatiquement en mode **Cool** avec la température réglée à 24 °C (75 °F) et la vitesse du ventilateur à F1, le réglage de nuit. Il y a un délai de trois minutes avant que le compresseur se mette en marche. (Voir la page suivante, « Protection automatique des composants »).
- ② Si la lumière **Check Filter** s'allume lorsque vous mettez l'unité en marche pour la première fois, appuyez sur Check Filter pour éteindre la lumière. La lumière **Check Filter** s'allumera après 250 heures d'utilisation. (Voir la page 43 pour les directives de nettoyage du filtre.) Appuyez sur Check Filter pour réinitialiser.

Pour régler le mode de fonctionnement

- ③ Lorsque vous mettez l'unité en marche pour la première fois, elle sera en mode **Cool** (lumière allumée), avec le ventilateur en mode continu.
- ④ Appuyez sur **MoneySaver®** (lumière allumée) pour activer la fonction MoneySaver®. Cela permet de synchroniser le ventilateur avec le compresseur de manière à ce que le ventilateur ne fonctionne pas constamment. Cela économise de l'énergie et améliore la déshumidification. (MoneySaver® fera aussi fonctionner le ventilateur pour vérifier la température de l'air retourné si le cycle d'arrêt est trop long). Ou vous pouvez préférer que le ventilateur fonctionne constamment pour une plus grande circulation d'air. Pour retourner au ventilateur en mode continu, appuyez sur COOL.
- ⑤ Appuyez sur le bouton **Fan Only** (lumière allumée) si vous désirez faire fonctionner le ventilateur seulement. Vous voudrez peut-être utiliser cette fonction avec le levier FRESH AIR / EXHAUST pour faire entrer de l'air de l'extérieur dans la pièce ou pour évacuer l'air vicié. (Voir la page 43, « Contrôle de l'air frais et de l'échappement » pour de plus amples renseignements.)

Pour régler la température [de 16 °C (60 °F) à 32 °C (90 °F)]

- ⑥ **PLUS FRAIS** – Appuyez **✓** et tenez enfoncé jusqu'à ce que l'affichage indique la température désirée.
- ⑦ **PLUS CHAUD** – Appuyez **▲** et tenez enfoncé jusqu'à ce que l'affichage indique la température désirée.
- ⑧ **FAHRENHEIT/CELSIUS** – Appuyez sur **°F/°C** pour afficher la température en Celsius; appuyez à nouveau pour obtenir les degrés Fahrenheit.

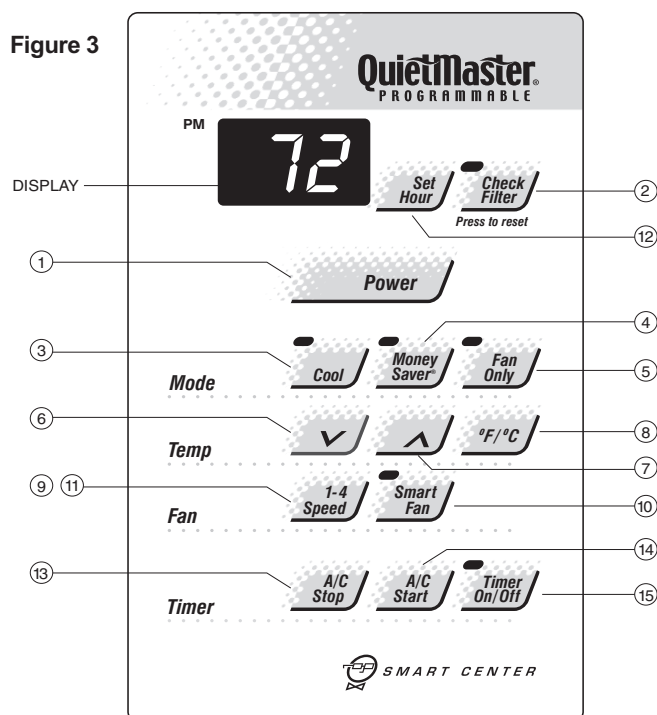
Pour régler la vitesse du ventilateur

- ⑨ Appuyez sur **1-4 Speed** pour voir le réglage actuel. Enfoncez-le à nouveau pour changer la vitesse. F1 est le réglage le plus bas (RÉGLAGE DE NUIT), F2 est une vitesse basse (LOW), F3 est une vitesse moyenne (MED) et F4 est une vitesse élevée (HIGH).

Pour activer Smart Fan

- ⑩ Appuyez sur **Smart Fan** (lumière allumée). Smart Fan réglera la vitesse du ventilateur automatiquement pour maintenir le niveau de confort désiré. Par exemple, si les portes extérieures de votre maison sont ouvertes pendant une période de temps prolongée ou si d'autres personnes entrent dans une pièce, Smart Fan peut passer à une vitesse de ventilateur supérieure pour compenser l'augmentation de la charge de chaleur. Cela vous évite de devoir régler la vitesse du ventilateur vous-même. Smart Fan ne fonctionne pas dans le mode FAN ONLY.

Figure 3



Pour désactiver Smart Fan

- ⑪ Appuyez sur **1-4 Speed** et sélectionnez la vitesse de ventilateur désirée.

Pour régler l'horloge

- ⑫ Appuyez sur **Set Hour** une fois pour voir le réglage actuel. Continuez à appuyer sur le bouton jusqu'à ce que l'heure la plus proche de l'heure actuelle soit affichée.

ASSUREZ-VOUS DE RÉGLER A.M. ET P.M. CORRECTEMENT. Une lumière apparaîtra dans le coin supérieur gauche de l'affichage si l'heure est P.M.

REMARQUE: Les minutes ne sont pas affichées à l'écran.

Pour régler la minuterie

REMARQUE: Réglez l'Horloge avant de tenter de régler les fonctions de la minuterie.

Vous pouvez régler les heures de départ (**A/C Start**) et d'arrêt (**A/C Stop**) avec un écart minimum d'une heure entre elles et un écart maximum de 23 heures entre elles.

- ⑬ **ARRÊT DE LA MINUTERIE** - Appuyez sur le bouton **A/C Stop** et continuez à l'enfoncer jusqu'à ce que l'heure à laquelle vous désirez que l'unité s'arrête soit affichée à l'écran (A.M. ou P.M.). L'heure d'arrêt du climatiseur sera alors réglée.
- ⑭ **DÉPART DE LA MINUTERIE** - Appuyez sur **A/C Start** pour voir l'heure actuelle de mise en marche du climatiseur. Continuez à enfoncer le bouton jusqu'à ce que l'heure à laquelle vous désirez que l'unité se mette en marche soit affichée à l'écran (A.M. ou P.M.). L'heure de mise en marche du climatiseur sera alors réglée.

- 15) Appuyez sur le bouton **Timer On/Off** une fois pour activer (la lumière s'allume) la fonction minuterie. Appuyez sur **Timer On/ Off** à nouveau (lumière éteinte) pour annuler la fonction minuterie, si vous le désirez. Une fois les heures de mise en marche et d'arrêt choisies, elles demeureront en mémoire et se répéteront tous les jours jusqu'à ce qu'elles soient modifiées.

REMARQUE: Si l'unité est débranchée ou s'il y a une panne de courant, le bouton Set Hour doit être réglé à nouveau sinon les fonctions **Timer On/Off** ne fonctionneront pas.

Comment utiliser la télécommande* (QuietMaster programmable)

Pour mettre l'unité en marche

- 1) **MISE EN MARCHÉ** - Appuyez sur le bouton Power une fois. L'unité se mettra automatiquement en marche dans le mode et à la vitesse de ventilateur choisis lorsqu'elle a été éteinte.

Pour régler le mode de fonctionnement

- 2) **FRAIS** - Appuyez sur le bouton **Cool** pour passer automatiquement au mode de fonctionnement COOL.
- 3) **VENTILATEUR SEULEMENT** - Appuyez sur le bouton **Fan Only** si vous désirez faire fonctionner le ventilateur seulement. Vous voudrez peut-être utiliser cette fonction avec le levier **Fresh Air / Exhaust** pour faire entrer de l'air de l'extérieur dans la pièce ou pour évacuer l'air vicié. (La fonction **Fresh Air / Exhaust** est située à l'avant du climatiseur près du haut. Voir la figure 9 à la page 43.)
- 4) **MoneySaver®** - Appuyez sur le bouton MoneySaver® pour activer la fonction MoneySaver®. Cela permet de synchroniser le ventilateur avec le compresseur de manière à ce que le ventilateur ne fonctionne pas constamment.

Pour régler la température

- 5) **PLUS FRAIS** – Appuyez sur le bouton **✓ Cooler** pour augmenter la température.
- 6) **PLUS CHAUD** – Appuyez sur le bouton **^ Warmer** pour baisser la température.

Pour régler la vitesse du ventilateur

- 7) **VITESSE DU VENTILATEUR** - Appuyez sur le bouton **Fan Speed** pour voir le réglage actuel. Appuyez à nouveau pour changer la vitesse du ventilateur. F1 est le réglage le plus bas (RÉGLAGE DE NUIT), F2 est une vitesse basse (LOW), F3 est une vitesse moyenne (MED) et F4 est une vitesse élevée (HIGH).

Pour régler l'horloge

- 8) **RÉGLER L'HORLOGE** - Appuyez sur Set Hour une fois pour voir le réglage actuel. Continuez à appuyer sur le bouton jusqu'à ce que vous arriviez à l'heure actuelle. ASSUREZ-VOUS DE RÉGLER A.M. ET P.M. CORRECTEMENT. (Remarque : LES MINUTES DE SONT PAS AFFICHÉES À L'ÉCRAN.) Une lumière apparaîtra dans le coin supérieur gauche de l'affichage si l'heure est P.M.

* Une télécommande sans fil RC1 de Friedrich peut être utilisée pour faire fonctionner tous les modèles QuietMaster® programmables.

Protection automatique des composants

Votre unité est munie d'une protection automatique des composants.

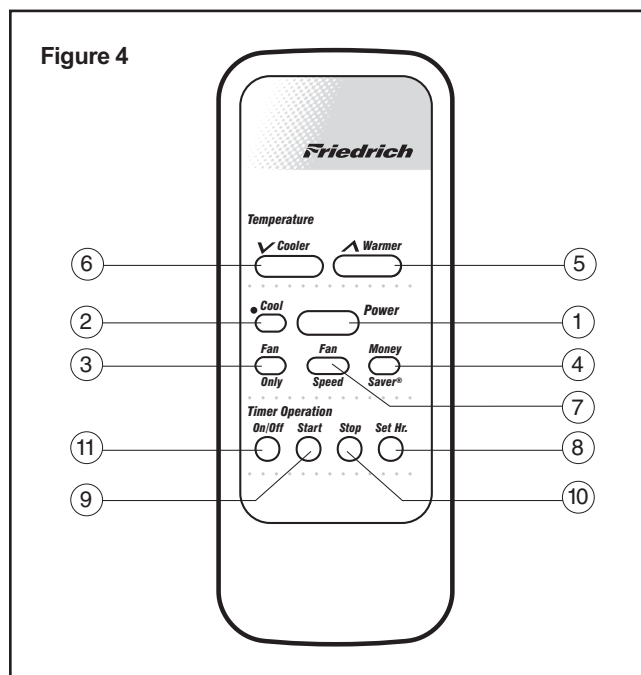
Pour protéger le compresseur de l'unité, il y a un retard de mise en marche de trois minutes si vous éteignez l'unité ou si le courant est coupé. Le fonctionnement du ventilateur ne sera pas affecté.

Pour régler la minuterie

REMARQUE: Réglez l'horloge avant de tenter de régler les fonctions de la minuterie. Vous pouvez régler la fonction **Timer On/Off** avec un écart minimum d'une heure entre les heures de départ et d'arrêt et un écart maximum de 23 heures entre elles.

- 9) **DÉPART DE LA MINUTERIE** - Appuyez sur **Start** pour voir l'heure actuelle de mise en marche du climatiseur. Continuez à appuyer sur le bouton START jusqu'à ce que vous arriviez à l'heure de mise en marche désirée. L'heure de mise en marche du climatiseur sera alors réglée.
- 10) **ARRÊT DE LA MINUTERIE** - Appuyez sur le bouton **Stop**. Continuez à appuyer sur le bouton **Stop** jusqu'à ce que vous arriviez à l'heure d'arrêt désirée. L'heure d'arrêt du climatiseur sera alors réglée.
- 11) **MISE EN MARCHÉ/ARRÊT DE LA MINUTERIE** - Appuyez sur le bouton **On/Off** une fois pour activer (la lumière s'allume) ou désactiver (la lumière s'éteint) la minuterie. Une fois les heures de mise en marche (START) et d'arrêt (STOP) choisies, elles demeureront en mémoire et se répéteront tous les jours jusqu'à ce qu'elles soient modifiées.

REMARQUE: Si l'unité est débranchée ou s'il y a une panne de courant, l'HORLOGE doit être réglée à nouveau sinon les fonctions de minuterie (**Timer On/Off**) ne fonctionneront pas.



Comment faire fonctionner votre climatiseur de fenêtre Friedrich (modèles QuietMaster « K » et robustes / Twintemp)

Pour mettre l'unité en marche

Si votre climatiseur est installé et branché dans une prise de courant correctement mise à la terre, il est prêt à être utilisé.

Contrôle des modes (QuietMaster « K » et robuste)

Le cadran supérieur (figure 5) vous permet de sélectionner le refroidissement à quatre vitesses différentes, ainsi que le mode Fan Only (modèles SL28 et SL36 n'ont que trois vitesses de refroidissement.).

Off - pour éteindre l'unité.

High Cool - pour refroidir rapidement.

Medium Cool - pour maintenir une température désirée.

Low Cool - lorsque la demande de refroidissement est faible.

Sleep Setting - pour utilisation la nuit ou lorsque la demande de refroidissement est faible.

Fan Only - pour faire circuler l'air dans la pièce sans activer le compresseur.

Le réglage **Fan Only** peut aussi être utilisé avec le réglage d'échappement d'air (EXHAUST) pour évacuer l'air vicié ou de la fumée d'une pièce; ou il peut être utilisé avec le réglage **Fresh Air** pour faire entrer de l'air de l'extérieur dans la pièce. Cela est particulièrement utile au printemps et à l'automne lorsque le refroidissement peut ne pas être nécessaire. Les commandes **Fresh Air** et **Exhaust** se trouvent dans la zone supérieure d'échappement d'air. La position centrale de cette commande est la position normale ou fermée, qui recycle l'air pour un rendement maximal dans le mode de refroidissement (voir la figure 9).

Contrôle des modes (Twintemp)

Ce cadran vous permet de sélectionner le refroidissement ou le chauffage à trois vitesses différentes, ainsi que la fonction **Fan Only** (figure 6).

Off - pour éteindre l'unité.

High Cool ou **High Heat** - pour une réponse rapide.

Medium Cool ou **Medium Heat** - pour maintenir une température désirée.

Low Cool ou **Low Heat** - pour utilisation la nuit ou lorsque la demande est faible.

Fan Only - pour faire circuler l'air dans la pièce sans activer le compresseur.

Le réglage **Fan Only** peut aussi être utilisé avec le réglage d'échappement d'air (EXHAUST) pour évacuer l'air vicié ou de la fumée d'une pièce; ou il peut être utilisé avec le réglage **Fresh Air** pour faire entrer de l'air de l'extérieur dans la pièce.

Les commandes **Fresh Air** et **exhaust** se trouvent dans la zone supérieure d'échappement d'air (voir la figure 9, page 43). La position centrale de cette commande est la position normale ou fermée, qui recycle l'air pour un rendement maximal dans le mode de refroidissement.

REMARQUE: Vous remarquerez peut-être une odeur lorsque vous activerez la chaleur pour la première fois lorsque l'élément de chauffage électrique se met en marche. Cela est causé par le brûlement de la poussière qui peut s'être accumulée sur le serpentin pendant l'été. Ceci est tout à fait normal.

Contrôle de la température

Le cadran inférieur du panneau de commande est le thermostat. Tournez-le dans le sens horaire pour baisser la température et dans le sens antihoraire pour augmenter la température.

Interrupteur Money Saver®

Cet interrupteur à bascule peut être déprimé vers **Yes** ou **No**. Dans la position YES, vous obtiendrez le fonctionnement le plus économique. Le ventilateur et le compresseur s'activeront et se désactiveront ensemble pour maintenir la température choisie à un niveau plus constant et réduire l'humidité de façon plus efficace dans le mode de refroidissement. Cette commande ne fonctionnera que si l'unité se trouve dans le mode de refroidissement ou de chauffage. Dans la position **No**, le ventilateur fonctionnera constamment tant que l'unité se trouve dans le mode de refroidissement ou de chauffage.

REMARQUE: Le YS09 est un modèle à 115 volts et ne fournit pas de chaleur adéquate à moins de 3 °C (37 °F). Ce produit est conçu pour les climats chauds.

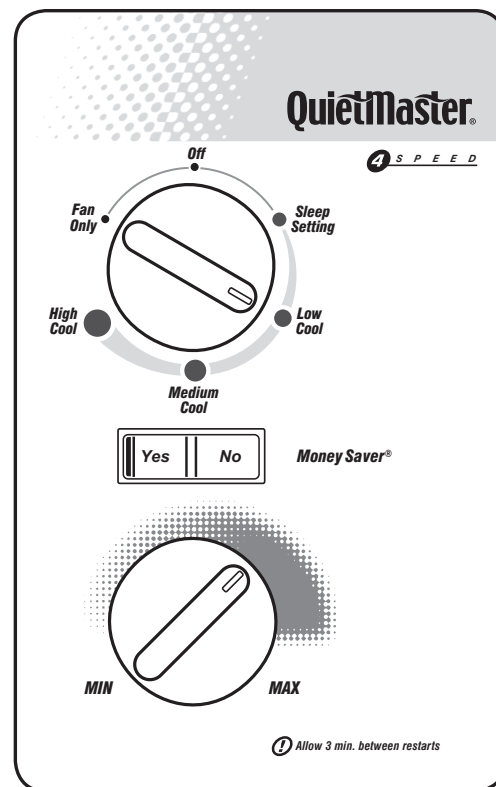


Figure 5

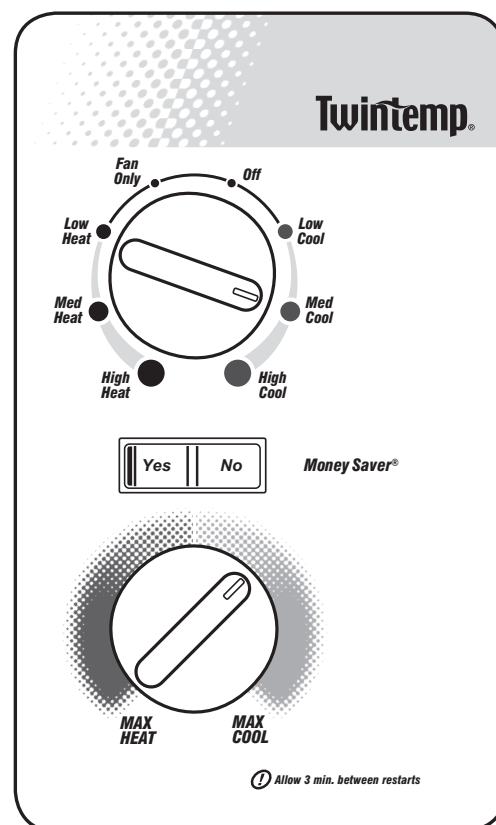


Figure 6

Soin et entretien / contrôle de l'air frais et de l'échappement

Pour retirer, laver et remplacer le filtre et la grille de reprise

Ouvrez la grille de reprise (GR) en l'agrippant par les rebords extérieurs supérieurs et en la tirant vers vous (voir la figure 7). La GR restera ouverte jusqu'à ce qu'elle soit enlevée ou fermée (il est plus facile de complètement enlever la grille avant de la fermer). Pour enlever la GR, agrippez-la par le fond et tirez vers vous.

Le filtre est tenu en place par deux pinces à ressort (voir la figure 7). Poussez les pinces vers le bas, agrippez le filtre et tirez vers vous pour le retirer et le nettoyer. Nettoyez avec de l'eau tempérée et un détergent doux, rincez et séchez complètement et replacez. Faites attention lorsque vous retirez le filtre. La surface du serpentin peut être coupante.

Si la GR a été enlevée, ramassez la grille en la soutenant des deux côtés près du bas (voir la figure 8, remarque 1). Soulevez la grille de reprise et insérez les onglets de la grille dans les fentes inférieures du plénum d'échappement d'air (voir la figure 8, remarque 2). Enclenchez la grille en place en la poussant vers le haut et dans les loquets de l'unité situés au fond (voir la figure 8, remarques 3 et 4).

Contrôle de l'air frais et de l'échappement

Votre climatiseur a la capacité de faire entrer de l'air frais dans la pièce ou d'évacuer l'air vicié hors de la pièce. Le levier de contrôle se trouve dans la partie supérieure de l'unité (voir la figure 9).

POUR FAIRE ENTRER DE L'AIR FRAIS - Déplacez le levier à la position **Fresh Air** qui permet à l'air de l'extérieur d'entrer dans la pièce. Ceci est utile au printemps et à l'automne comme moyen de faire entrer de l'air frais de l'extérieur lorsque vous utilisez la fonction **Fan Only**. Elle peut aussi être utilisée l'été avec le compresseur en mode de refroidissement, si vous le désirez. Normalement, pour un fonctionnement optimal, le refroidissement est obtenu lorsque cette commande se trouve à la position centrale ou fermée.

POUR ÉVACUER DE L'AIR INTÉRIEUR - Déplacez le levier à la position **Exhaust**. Cela permettra à l'air vicié d'être évacué vers l'extérieur du bâtiment. Cette fonction est particulièrement pratique au printemps et à l'automne lorsque l'air intérieur a tendance à devenir vicié ou après une réunion sociale incluant des fumeurs ou pour éliminer les odeurs après la cuisson.

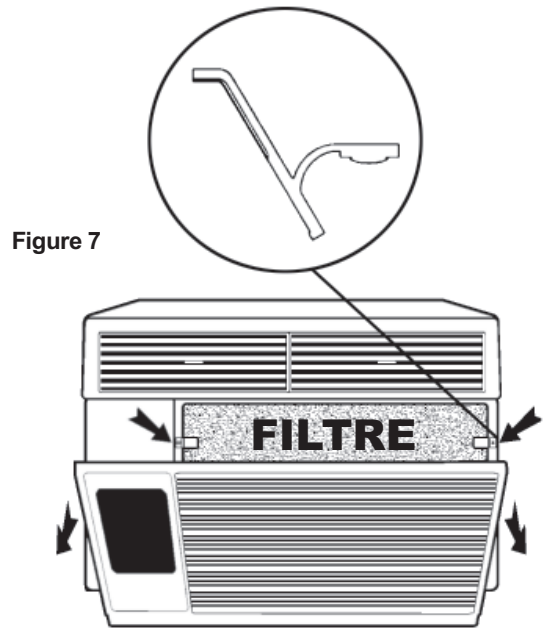


Figure 7

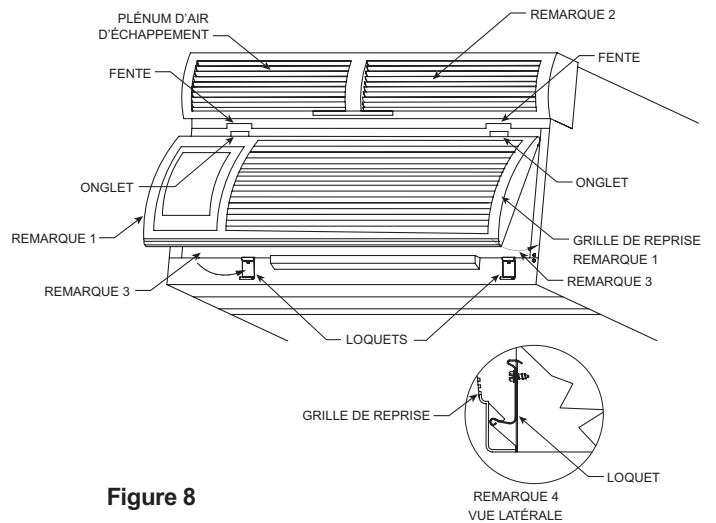


Figure 8

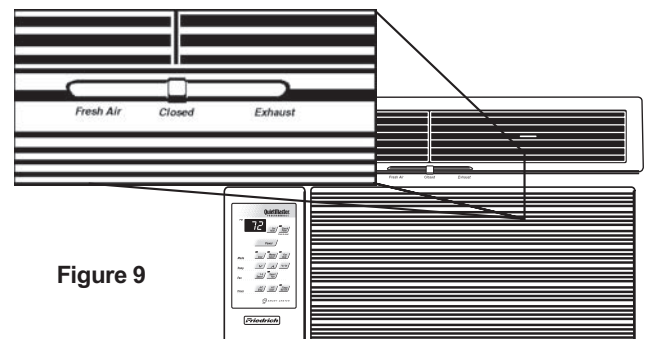


Figure 9

Directives d'installation

REMARQUE: Ce manuel comprend les directives d'installation pour les montages dans une fenêtre et dans un mur. Les unités de chauffage et refroidissement TwinTemp® sont conçues pour être encastrées dans un mur de façon permanente. Le montage de l'unité dans une fenêtre nécessite une trousse d'accessoires de montage dans une fenêtre offerte chez votre concessionnaire Friedrich.



Lisez ceci d'abord ! Exigences électriques

IMPORTANT: Avant de commencer l'installation comme telle de votre climatiseur, vérifiez les codes électriques locaux et les renseignements ci-dessous.

Votre climatiseur doit être relié à une source d'alimentation ayant la même tension en c.a. et les mêmes hertz que ce qui est indiqué sur la plaque d'identification de l'unité située sur le châssis. Seul le courant alternatif (c.a.) peut être utilisé. Le courant continu (c.c.) ne peut pas être utilisé. Reportez-vous à la page 39 pour connaître le bon type de prise de courant pour votre modèle.

PROTECTION DU CIRCUIT - UTILISEZ SEULEMENT SUR UN CIRCUIT À UNE SEULE PRISE. Un circuit surchargé causera invariablement des défaillances ou des pannes à un climatiseur; par conséquent, il est nécessaire que la protection électrique soit adéquate. À cause de la demande momentanée élevée de courant lorsque votre climatiseur est mis en marche, utilisez un fusible « à fusion lente » ou un disjoncteur de type HACR. Consultez votre concessionnaire ou la compagnie d'électricité en cas de doute.

Reportez-vous à la plaque d'identification électrique située sur le châssis du climatiseur pour déterminer la bonne intensité du fusible ou du disjoncteur pour votre modèle (voir la figure E à la page 52 pour connaître l'emplacement de la prise de courant).

Le cordon d'alimentation possède une fiche avec une broche de mise à la terre d'un type approuvé et une prise de courant correspondante est requise.

AVERTISSEMENT : NE COUPEZ OU NE RETIREZ JAMAIS LA BROCHE DE MISE À LA TERRE DE LA FICHE. N'UTILISEZ JAMAIS UN CORDON D'EXTENSION POUR FAIRE FONCTIONNER UN CLIMATISEUR.

Les directives suivantes s'appliquent aux groupes de modèles à châssis standards se reconnaissant par les deux premières lettres des désignations de modèles et les tailles de caisson indiquées ci-dessous.

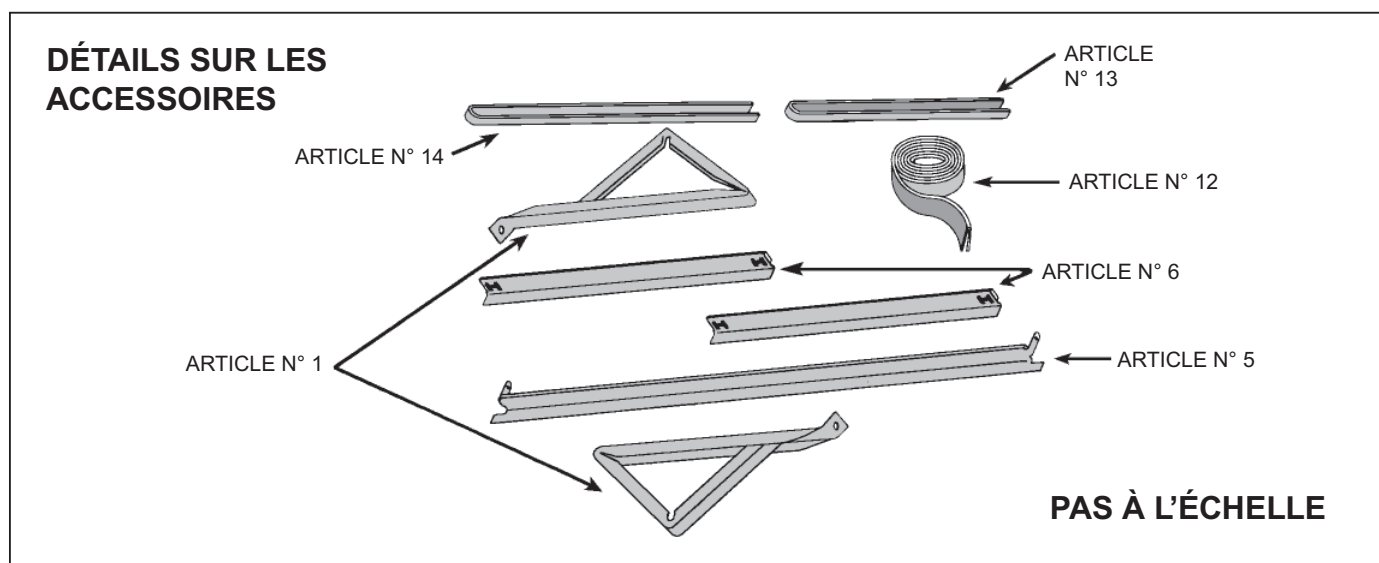
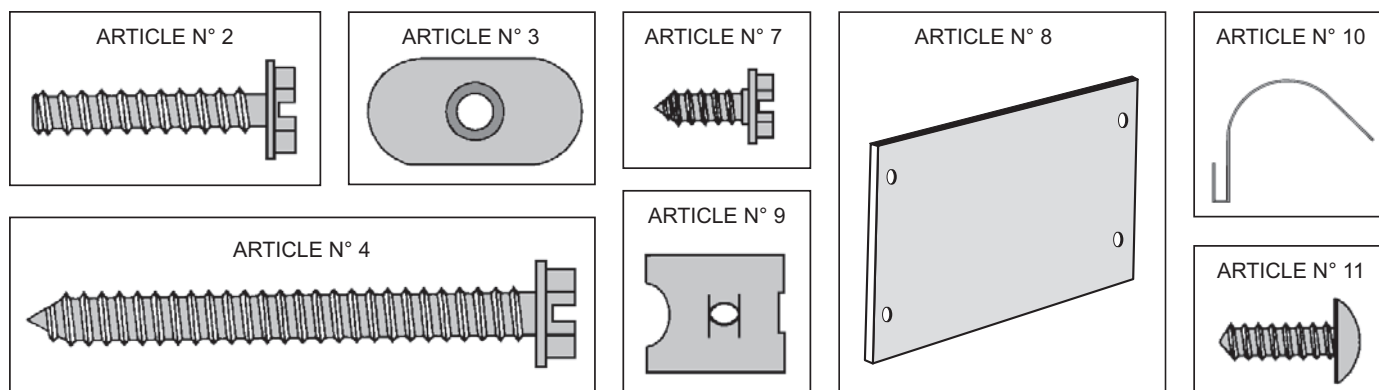
DÉSIGNATION DE MODÈLE	TAILLE DU CAISSON (Haut x Larg x Prof)
PETIT CHÂSSIS - SS, ES, YS, KS	405 mm x 660 mm x 695 mm (15 15/16 po x 25 15/16 po x 27 3/8 po)
CHÂSSIS MOYEN - SM, EM, YM, KM	455 mm x 660 mm x 695 mm (17 15/16 po x 25 15/16 po x 27 3/8 po)
GRAND CHÂSSIS - SL, EL, YL	513 mm x 711 mm x 854 mm (20 3/16 po x 28 po x 33 5/8 po)

Quincaillerie d'installation pour montage dans une fenêtre

N° D'ARTICLE	DESCRIPTION	QTÉ
PIÈCES DE MONTAGE DE L'ENVELOPPE		
1	FERRURE DE SUPPORT	2
2	VIS HEXAGONALE, 10-24 X 1 PO	4
3	ÉCROU DE SOUDAGE À PLAT 10-24	4
4	VIS AUTOTARAUDEUSE, N° 12A x 2 PO	7
MONTAGE ANGULAIRE SUR PLANCHE		
5	ANGLE DE PLANCHE, SUPÉRIEUR	1
6	ANGLE DE PLANCHE, LATÉRAL	2
7	VIS AUTOTARAUDEUSE, N° 8A x 3/8 PO	2
PIÈCES DE MONTAGE SUR PLANCHE		
8	PLANCHE (MASONITE)	1
9	ÉCROU DE VITESSE DE TYPE « J »	4
10	PINCE DE PLANCHE (ACIER À RESSORT)	4
11	VIS CRUCIFORME À TÊTE BOMBÉE, N° 8A x 1/2 PO	4
ÉTANCHÉITÉ DE FENÊTRE		
12	JOINT D'ÉTANCHÉITÉ (VINYLE)	1
13	JOINT D'ÉTANCHÉITÉ DE FENÊTRE (MOUSSE FONCÉE)	1
14	JOINT D'ÉTANCHÉITÉ DE CHÂSSIS (MOUSSE PÂLE)	1

Quincaillerie d'installation pour montage encastré dans le mur

N° D'ARTICLE	DESCRIPTION	QTÉ
PIÈCES DE MONTAGE		
4	VIS AUTOTARAUDEUSE, N° 12A x 2 PO	7
14	JOINT D'ÉTANCHÉITÉ DE CHÂSSIS (MOUSSE PÂLE)	1



Installations dans une fenêtre à guillotine standard

⚠ AVERTISSEMENT

DANGER DE CHUTE D'OBJET

Ne pas suivre les instructions d'installation pour le montage de votre climatiseur peut provoquer des dégâts corporels, des blessures, ou la mort.



ÉTAPE 1 Retirez la grille de reprise décorative en plastique et placez-la dans un endroit sûr loin de l'unité. La grille de retour peut être retirée en tirant sur les côtés supérieurs ou inférieurs.

ÉTAPE 2 Retirez aussi la quincaillerie d'installation pour la mettre dans un endroit sûr loin de l'unité.

ÉTAPE 3 Retirez le dispositif de retenue du châssis en retirant la vis d'extrême droite dans le plateau (voir la figure A); gardez cette vis pour fixer le dispositif de retenue du châssis à nouveau après l'installation (étape 15). De plus, retirez et jetez les deux vis de retenue et les rondelles noires en plastique situées à l'arrière de l'unité.

ÉTAPE 4 Tandis qu'un assistant tient le caisson immobile, utilisez la poignée située à l'avant du plateau ainsi que la dragonne (voir la figure A) pour tirer le châssis hors du caisson. **RETIREZ LES GRANDS BLOCS BLANCS EN MOUSSE UTILISÉS POUR IMMOBILISER LE COMPRESSEUR PENDANT L'EXPÉDITION.** Examinez le plateau pour voir si des blocs blancs s'y trouvent et retirez-les, le cas échéant. Ne retirez pas les autres pièces en mousse.

ÉTAPE 5 Ancrez les angles latéraux (article n° 6) en embrayant les onglets à chaque extrémité de la plaque d'appui (voir la figure B) avec les boucles inférieures de l'angle latéral. Embrayez les onglets à chaque extrémité de l'angle supérieur (article n° 5) avec les boucles supérieures de l'angle latéral (voir la figure B). Installez deux (2) vis (article n° 7) pour fixer les onglets de l'angle supérieur et de l'angle latéral au caisson (voir la figure B).

ÉTAPE 6 Vérifiez l'appui et le cadre de fenêtre pour s'assurer qu'ils sont en bon état et fermement ancrés au mur. Effectuez les réparations, si nécessaire.

ÉTAPE 7 MONTAGE DU CAISSON – Soulevez la guillotine inférieure de 0,6 cm de plus que la hauteur du caisson. Glissez soigneusement le caisson à travers la fenêtre ouverte jusqu'à ce que la rainure de la plaque d'appui soit assise derrière l'appui de fenêtre et que le soutien supérieur soit appuyé contre la fenêtre (voir la figure C). Centrez latéralement et percez trois (3) trous de guidage de 4 mm de diamètre dans l'appui de fenêtre en utilisant les trous dans la plaque d'appui du caisson comme guide. Installez trois (3) vis n° 12A de 5/32 po de longueur (article n° 4, figure C).

⚠ ATTENTION

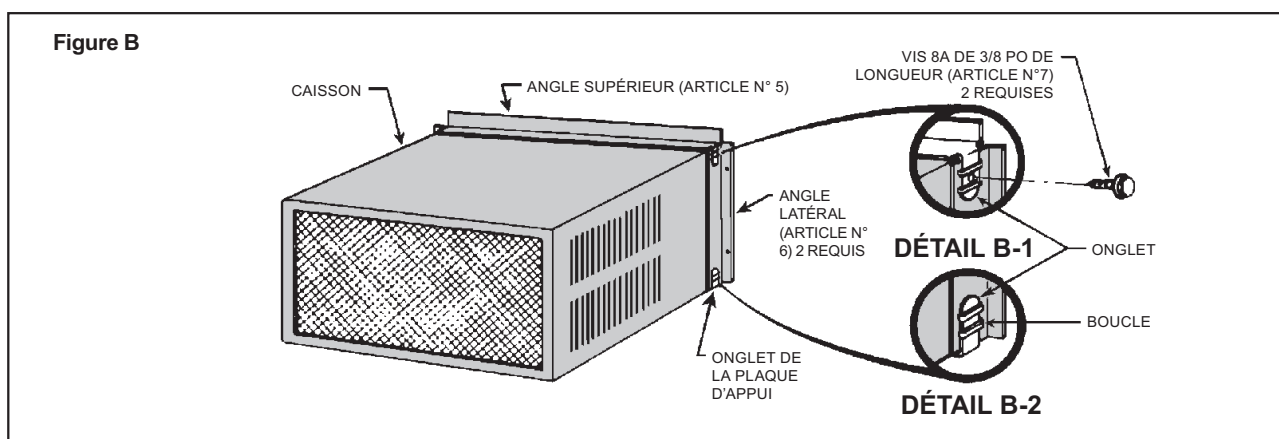
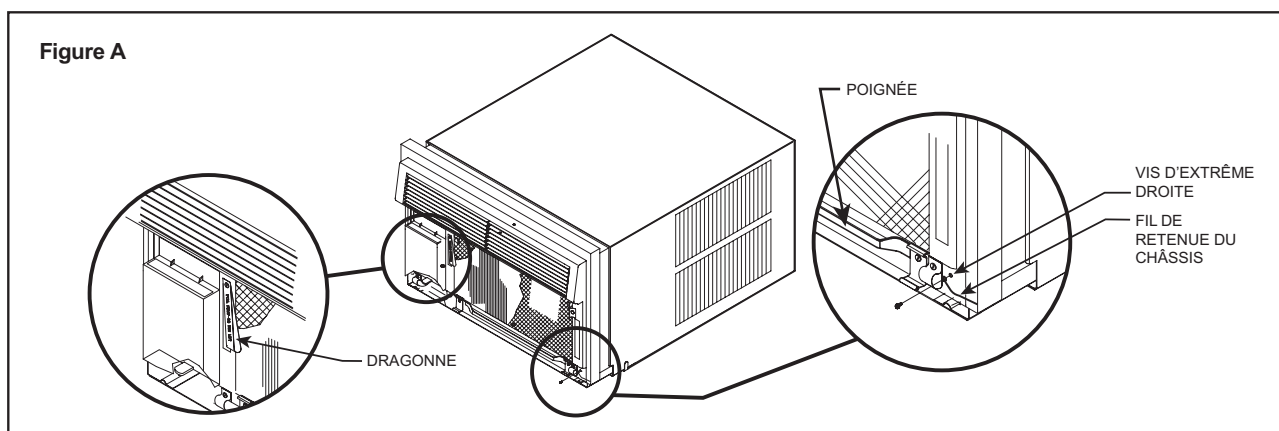
Danger concernant un poids excessif
Employez quelqu'un lors de l'installation de votre climatiseur.
Ne pas faire cela pourrait entraîner des blessures.

⚠ ATTENTION



Coupure/Entaille

Bien qu'un grand soin a été pris pour la protection des bords tranchants, pour votre protection utilisez des gants ou d'autres protections dures.
Ne pas faire cela pourrait entraîner des blessures.



ÉTAPE 8 Montage du soutien extérieur – Fixez les ferrures de support (article n°1) aux rails inférieurs du caisson avec quatre (4) vis 10-24 de 1 po de longueur (article n° 2) et quatre (4) écrous plats 10-24 (article n° 3). Réglez les ferrures de support de manière à amener les tampons inférieurs en contact avec la surface du mur. (UNE CALE DE 2,5 CM X 10 CM OU 5 CM X 10 CM DOIT ÊTRE UTILISÉE ENTRE LE MUR ET LES FERRURES DE SUPPORT LORS D'UNE INSTALLATION SUR UN PAREMENT EN ALUMINIUM OU EN VINYLE). Percez des trous de guidage de 4 mm de diamètre et fixez les ferrures au mur avec deux (2) vis n° 12A de 1 po de longueur (article n° 4). Réglez les ferrures de support de manière à obtenir une pente d'environ 9 mm vers l'extérieur pour le drainage. (Voir la figure D). Serrez toutes les vis.

REMARQUE

Les instructions de montage de l'enveloppe avec pente doivent être respectées pour éviter l'entrée d'eau dans le pièce.

REMARQUE: Les entrées et les sorties d'air d'évacuation, de reprise et de condensation ne doivent pas être bloquées pour éviter le recyclage de l'air chaud rejeté.

Les illustrations suivantes montrent une installation sur une construction régulière à pans de bois, ainsi que des suggestions sur des façons d'adapter la ferrure de support à des murs épais et des rebords en pierre larges.

Figure D

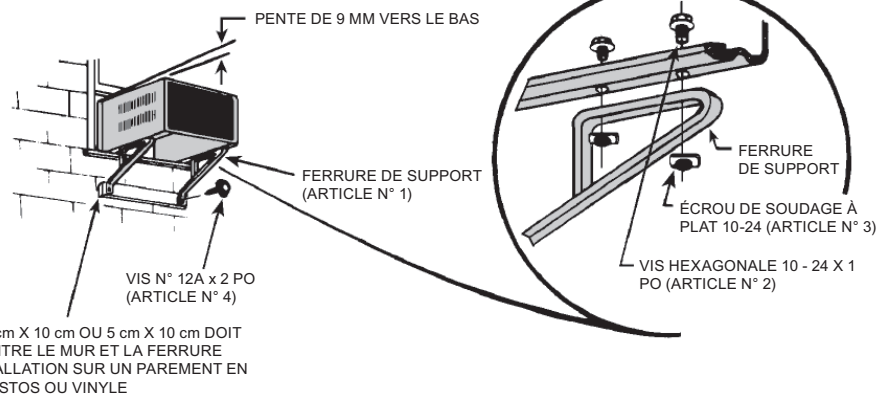
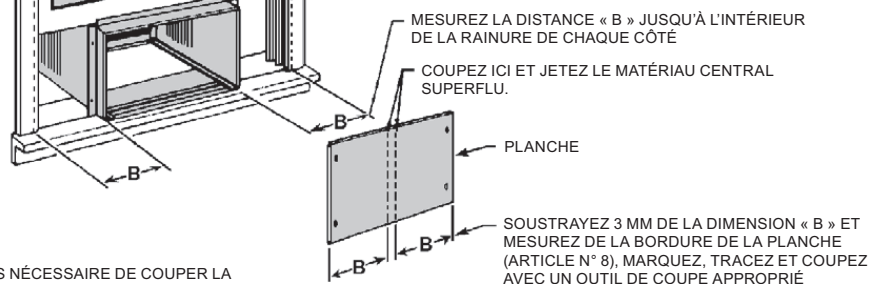
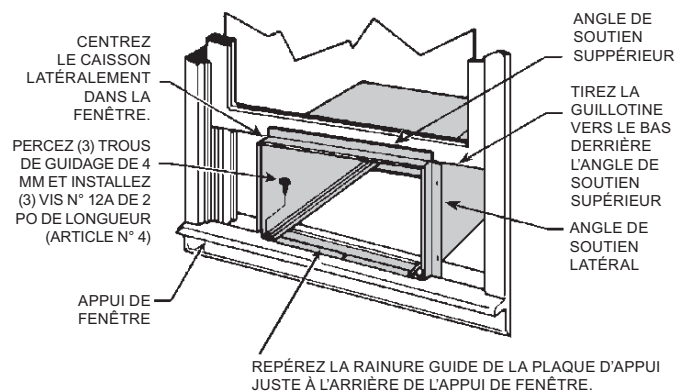


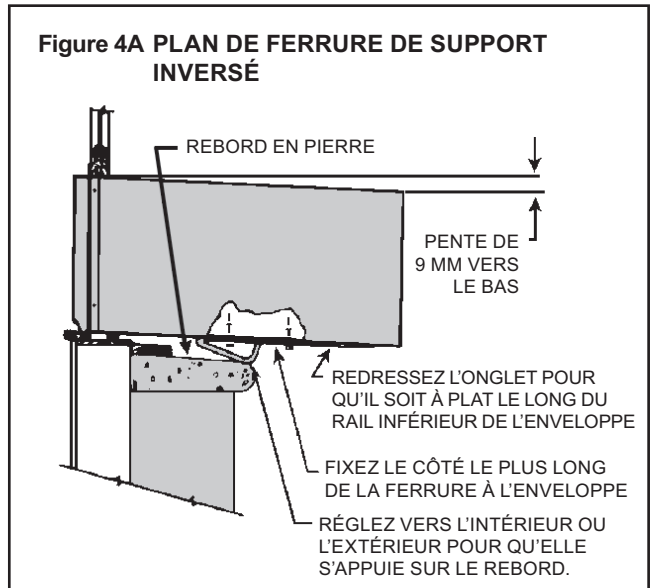
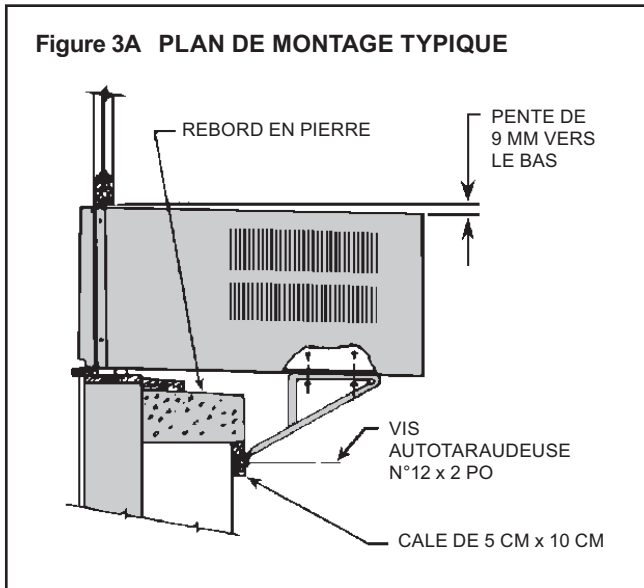
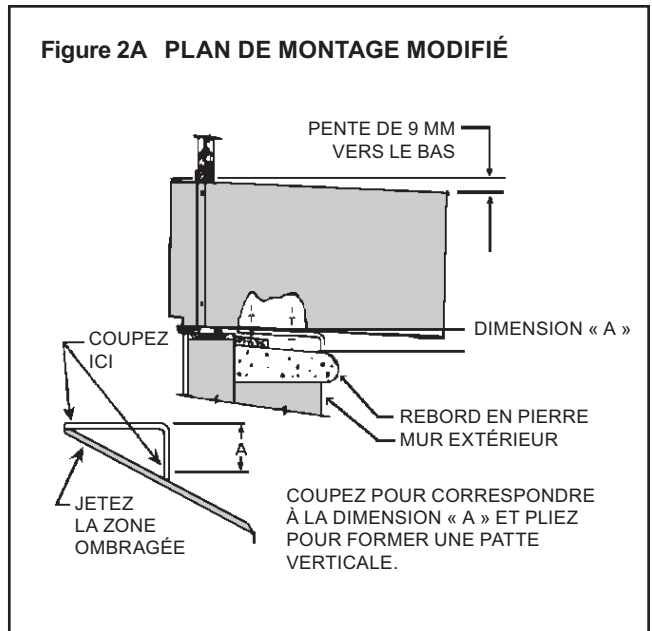
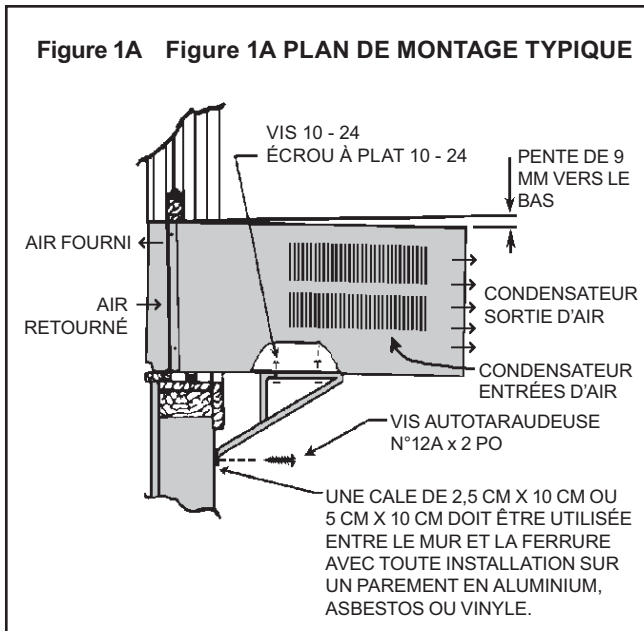
Figure E



REMARQUE : IL N'EST PAS NÉCESSAIRE DE COUPER LA PLANCHE POUR LA HAUTEUR VERTICALE; SEULEMENT POUR LA LARGEUR HORIZONTALE DE LA DIMENSION « B ».

Figure C

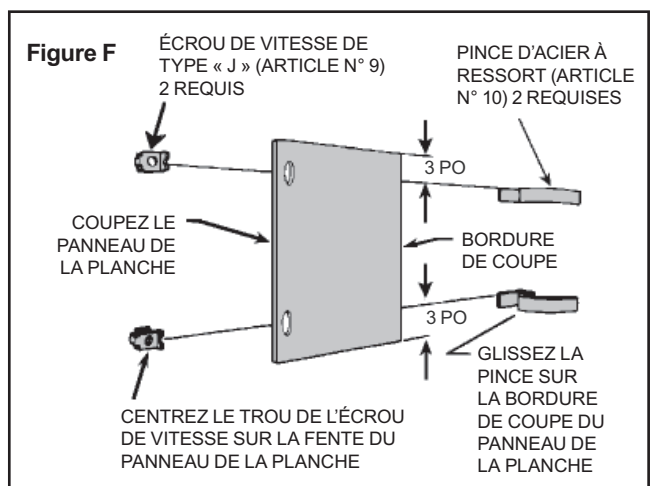




ÉTAPE 9 COUPEZ LES PANNEAUX DE LA PLANCHE – Mesurez et coupez les panneaux de la planche à partir du Masonite fourni (article n° 8) pour qu'ils correspondent aux espaces entre les rainures latérales de la fenêtre et les côtés du caisson. (Voir la figure E).

REMARQUE: APRÈS AVOIR COUPÉ LES PANNEAUX, EFFECTUEZ UN TEST D'ESSAI POUR VOIR S'ILS CONVIENNENT À L'ESPACE AVEC UN DÉGAGEMENT D'ENVIRON 3 MM AVANT DE PASSER À L'ÉTAPE 10.

ÉTAPE 10 ASSEMBLEZ LES PINCES AUX PANNEAUX DE LA PLANCHE- Assemblez les écrous de vitesse de type « J » (article 9) et les pinces d'acier à ressort (article n° 10) aux bordures des panneaux coupés de la planche (voir la figure F).



ÉTAPE 11 INSTALLEZ LES PANNEAUX LATÉRAUX DE LA PLANCHE

– Assurez-vous que le caisson ait bien été fixé à l'appui de fenêtre et que les ferrures de soutien extérieur ont été installées comme dans la figure D. Soulevez la guillotine et installez les panneaux de gauche et de droite de la planche. (Voir la figure G).

ÉTAPE 12 INSTALLEZ LES JOINTS D'ÉTANCHÉITÉ DE LA FENÊTRE

– Mesurez et coupez les joints d'étanchéité de la fenêtre en vinyle (de couleur grise, article n° 12) pour correspondre à la largeur de la fenêtre et installez comme dans la figure H. Tirez la guillotine vers le bas derrière le joint. Mesurez et coupez le joint d'étanchéité de la fenêtre en mousse foncée (article n° 13) et installez-le entre le panneau supérieur en verre et la partie supérieure de la guillotine inférieure. (Voir la figure H).

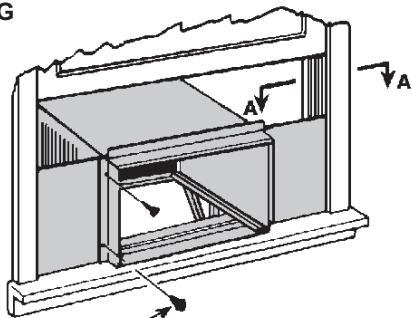
REMARQUE: POUR DES RAISONS DE SÉCURITÉ ET DE SÛRETÉ, LE CLIENT DOIT FOURNIR UN MOYEN D'EMPÊCHER LA FENÊTRE DE S'OUVRIRE.

ÉTAPE 13 Lorsque cela est possible, calfeutrez l'extérieur de l'installation avec du calfeutrage de type industriel pour empêcher les fuites météorologiques.

ATTENTION

Danger concernant un poids excessif
Employez quelqu'un lors de
l'installation de votre climatiseur.
Ne pas faire cela pourrait entraîner
des blessures.

Figure G

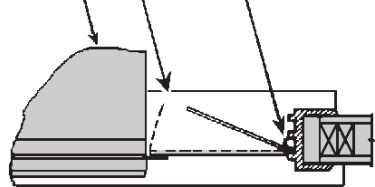


FIXEZ LES PANNEAUX LATÉRAUX DE LA PLANCHE AUX ANGLES LATÉRAUX AVEC QUATRE (4) VIS N° 8 DE ½ PO DE LONGUEUR (ARTICLE N° 11), DEUX DE CHAQUE CÔTÉ.

PARTIE SUPÉRIEURE DU CAISSON

PLACEZ LE PANNEAU DE LA PLANCHE DANS LE MONTANT DE FENÊTRE POUR COMPRIMER LES RESSORTS À L'INTÉRIEUR DES COULISSEUX ET FAITES BASCULER LE PANNEAU EN PLACE, INDIQUÉ PAR LA LIGNE POINTILLÉE.

MONTANT DE LA FENÊTRE



SECTION A - A

ATTENTION**Coupure/Entaille**

Bien qu'un grand soin a été pris pour la protection des bords tranchants, pour votre protection utilisez des gants ou d'autres protections dures.

Ne pas faire cela pourrait entraîner des blessures.

ÉTAPE 14 INSTALLEZ LE CHÂSSIS – Après avoir installé l'enveloppe, glissez le châssis dans l'enveloppe en arrêtant approximativement à 7,6 cm d'une insertion complète. Bourrez le joint d'étanchéité du châssis d'une profondeur de 2,5 cm entre le châssis et l'enveloppe (voir la figure I). Commencez par l'un des coins inférieurs en remontant sur le côté, le dessus et le bas du côté opposé. Ensuite, poussez le châssis complètement dans l'enveloppe pour le reste de la distance de manière à ce que l'avant en plastique rencontre le rebord avant de l'enveloppe.

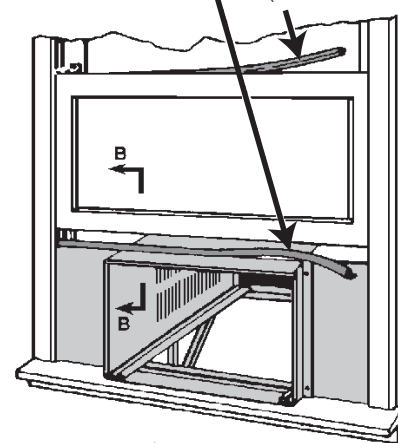
Si le joint d'étanchéité du châssis n'est pas installé, le fonctionnement de l'unité sera affecté négativement. Le bruit de fonctionnement et le bruit de l'extérieur seront aussi amplifiés.

ÉTAPE 15 Fixez le fil de retenue du châssis à nouveau avec la même vis que dans l'étape 3 (voir la figure A).

Figure H

INSÉREZ LE JOINT D'ÉTANCHÉITÉ DE LA FENÊTRE EN VINYLE SUR L'ANGLE SUPÉRIEUR DE LA PLANCHE (ARTICLE N° 12)

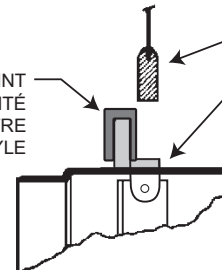
INSÉREZ LE JOINT D'ÉTANCHÉITÉ DE LA FENÊTRE EN MOUSSE (ARTICLE N° 13)



GUILLOTINE INFÉRIEURE

ANGLE SUPÉRIEUR DE LA PLANCHE

JOINT D'ÉTANCHÉITÉ DE LA FENÊTRE EN VINYLE



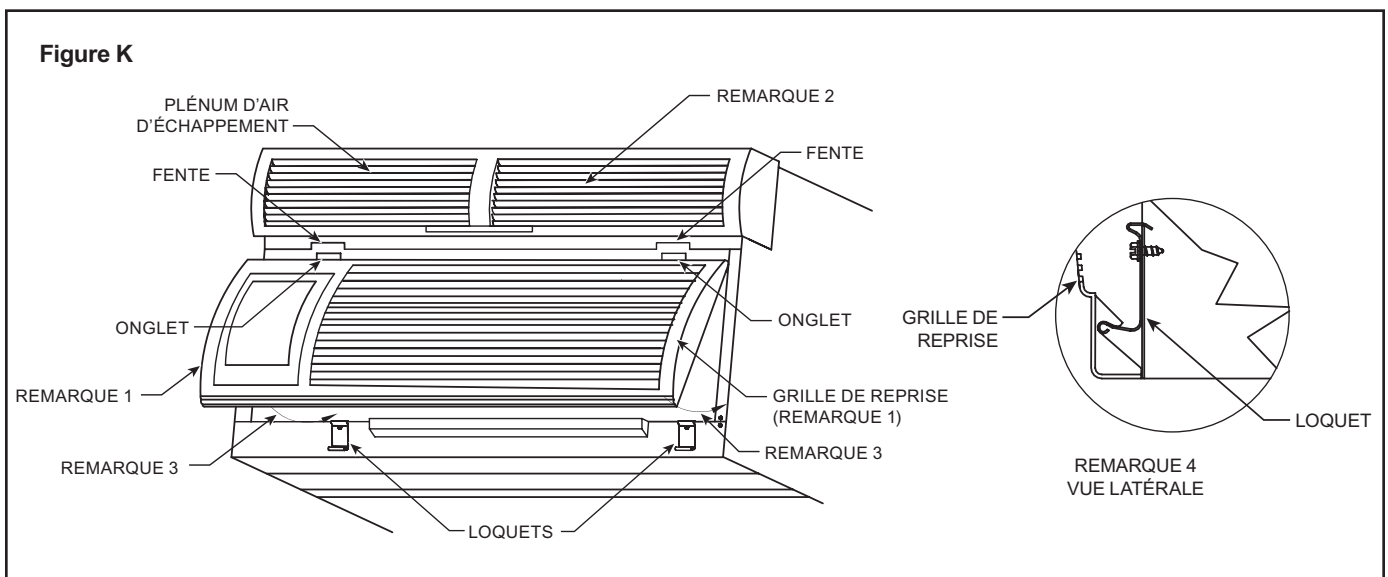
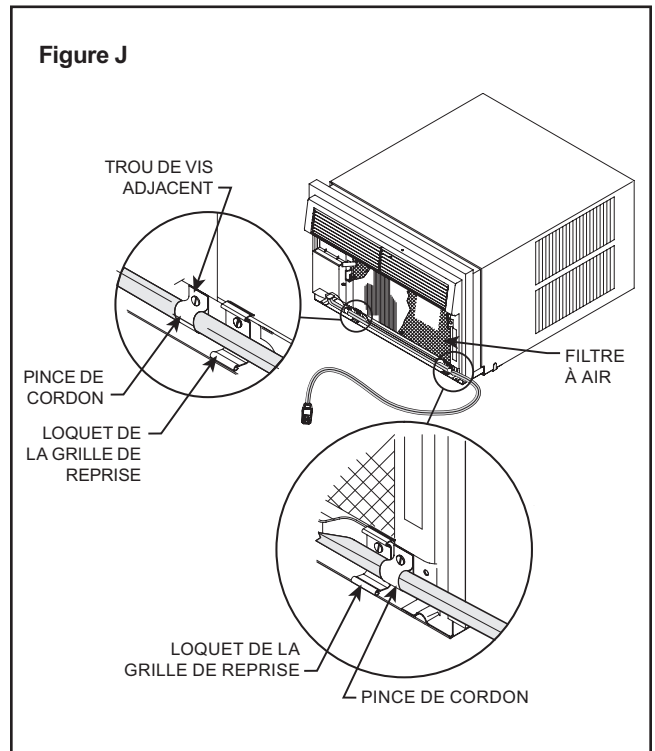
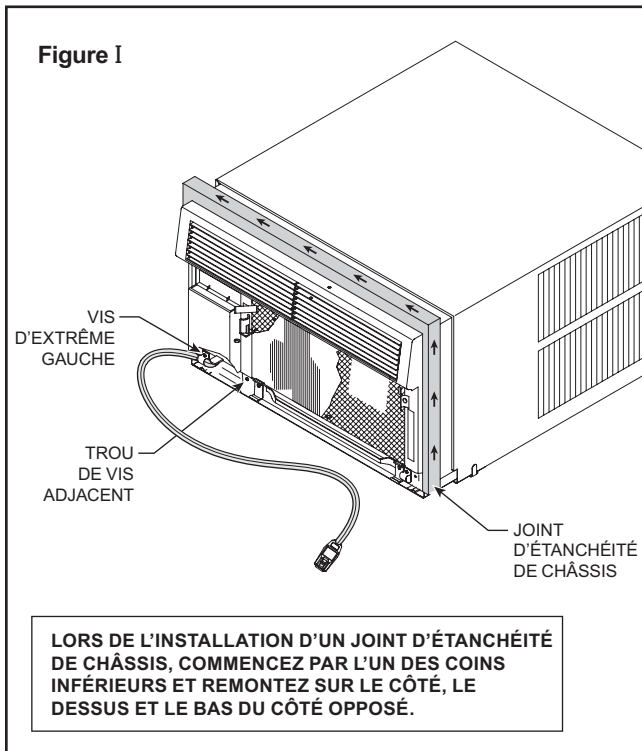
SECTION B - B

ÉTAPE 16 EN OPTION: L'usine assemble le cordon d'alimentation de manière à ce qu'il sorte du côté gauche de l'unité. À la discrétion du consommateur, le cordon d'alimentation peut être sorti du côté droit de l'unité. Pour ce faire, retirez la pince à cordon enrobée de caoutchouc noir en dessous de la vis à l'extrême gauche (voir la figure I). Replacez cette vis dans le trou à vis à l'extrême gauche. Acheminez le cordon d'alimentation par-dessus les loquets de la grille de reprise et fixez la pince à nouveau dans le trou de vis adjacent (figures I et J). Retirez la pince de cordon du côté droit, acheminez le cordon d'alimentation à travers celle-ci et fixez à nouveau. Le cordon d'alimentation doit être tendu afin de ne pas être appuyé sur les loquets de la grille de reprise.

ÉTAPE 17 Assurez-vous que le filtre est en place avant d'installer la grille de reprise (voir la figure J), et que le cordon électrique est correctement acheminé afin de ne pas nuire à l'installation. (Voir l'étape 16.)

ÉTAPE 18 Ramassez la grille en la soutenant par les deux côtés inférieurs (voir la figure K, remarque 1). Soulevez la grille de reprise et insérez les onglets de la grille dans les fentes inférieures du plénum d'échappement d'air (voir la figure K, remarque 2). Enclenchez la grille en place en la poussant vers le haut et dans les loquets de l'unité au fond (voir la figure K, remarques 3 et 4).

ÉTAPE 19 Reportez-vous aux « Directives de fonctionnement » à partir de la page 39.



Installations encastrées dans le mur

Les directives suivantes s'appliquent à la construction des murs en bois, en maçonnerie, en brique, en béton ou en bloc de béton

⚠ AVERTISSEMENT

DANGER DE CHUTE D'OBJET

Ne pas suivre les instructions d'installation pour le montage de votre climatiseur peut provoquer des dégâts corporels, des blessures, ou la mort.



ÉTAPE 1 Suivez les étapes 1, 2, 3 et 4 des directives de « L'INSTALLATION DANS UNE FENÊTRE À GUILLOTINE STANDARD » commençant à la page 46.

ÉTAPE 2 PRÉPARATION DU CAISSON: Retirez la plaque d'appui du caisson en retirant les deux écrous et vis retenant cette première. Remarquez que le dispositif de retenue du châssis est fixé par une vis et un

écrou du côté droit (voir détail 1, figure A). Repliez les onglets de la plaque d'appui dans sa rainure aux deux extrémités de la plaque ou coupez-les (voir détail 2, figure A). Tournez la plaque d'appui de bout en bout, 180 degrés et réinstallez-la. Inversez l'orientation des écrous et vis de manière à ce que la tête de la vis se trouve au fond du caisson orientée vers le haut et l'écrou se trouve sur le dessus orienté vers le bas (voir détail 3, figure A). Assurez-vous que le dispositif de retenue du châssis soit réinstallé comme dans le détail.

ÉTAPE 3 PRÉPARATION DU MUR: L'épaisseur de mur maximale permise sans nécessiter une construction spéciale est déterminée par la taille du modèle devant être installé. LES STORES D'ENTRÉE D'AIR DU CONDENSATEUR DU CAISSON EXTÉRIEUR NE DOIVENT PAS ÊTRE BLOQUÉS PAR UNE EXTENSION À L'INTÉRIEUR DE LA ZONE MURALE. Remarquez l'épaisseur murale maximale indiquée dans le tableau et le diagramme de la figure B.

DIRECTIVES SPÉCIALES POUR MURS TRÈS ÉPAIS: Pour les installations dans des murs excédant l'épaisseur maximale indiquée dans le tableau, la construction suggérée suivante peut s'appliquer.

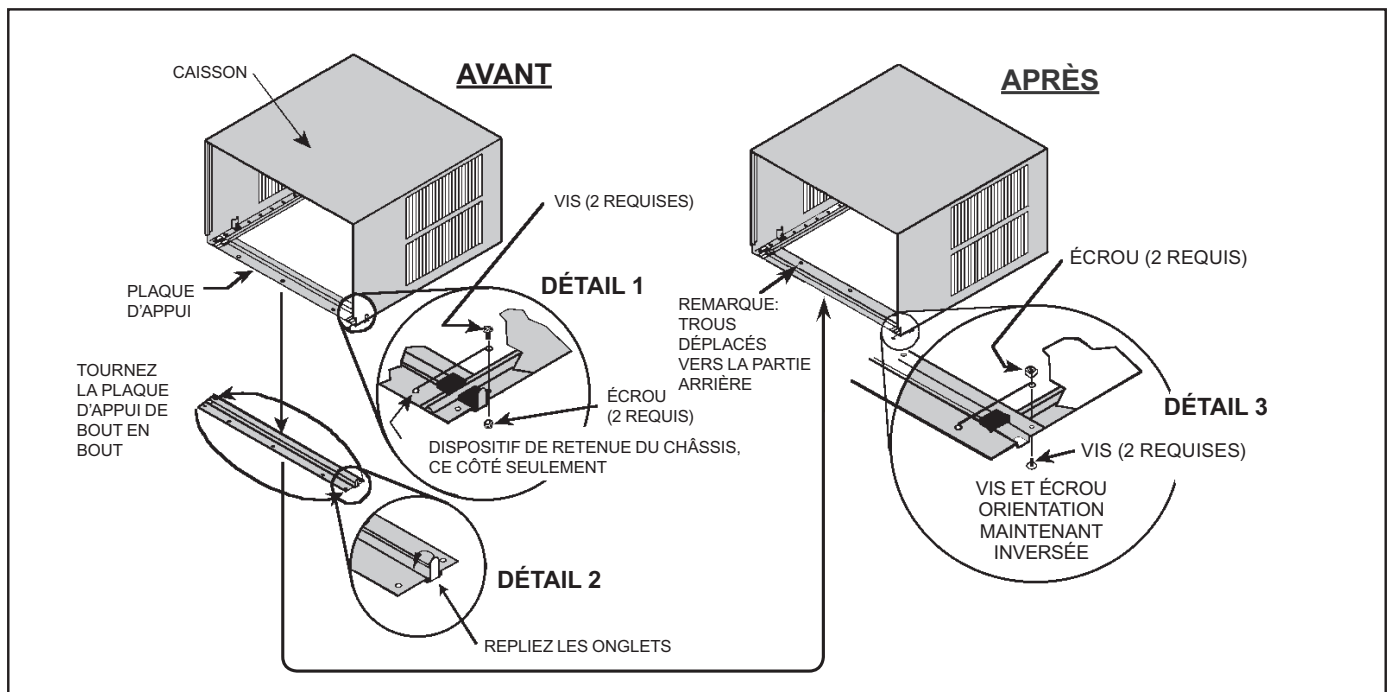
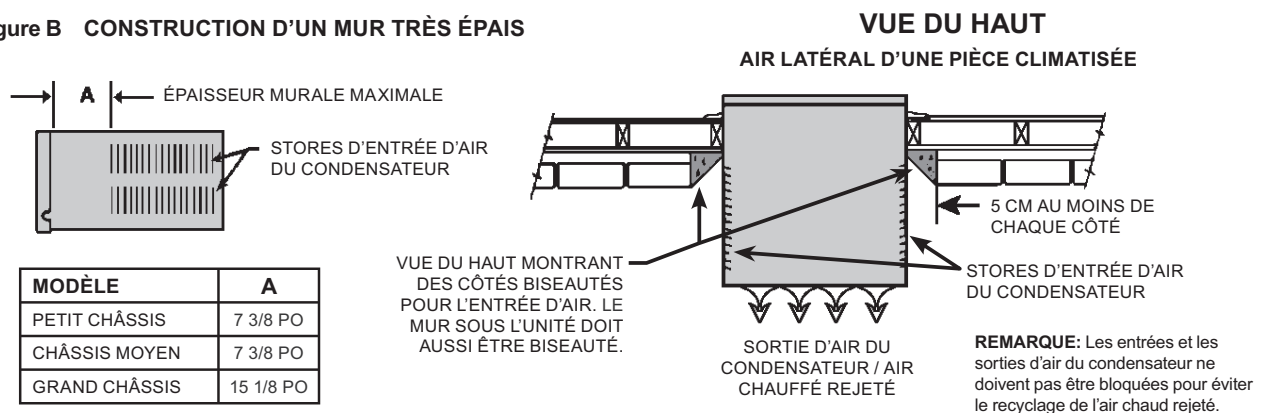


Figure B CONSTRUCTION D'UN MUR TRÈS ÉPAIS

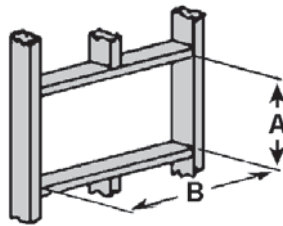


ÉTAPE 4 VÉRIFICATION DU CÂBLAGE ET DE LA PLOMBERIE:

Vérifiez tout le câblage et la plomberie à l'intérieur et à l'extérieur du mur pour s'assurer que rien ne sera brisé à l'endroit où le trou sera effectué.

ÉTAPE 5 CONSTRUCTION DU TROU: Selon la taille de l'unité devant être installée, établissez les dimensions du trou en vous basant sur le tableau ci-dessous. Coupez et encadrez le trou selon les dimensions finies. Utilisez un matériau de 5 cm x 10 cm pour l'encadrement et suivez les installations typiques suggérées dans les figures C, D ou E.

REMARQUE: SI LA CONSTRUCTION DU MUR EST UNE CONSTRUCTION TYPIQUE À OSSATURE EN BOIS OU À MONTANTS DE 2 X 4 AVEC PLACAGE EN BRIQUE OU EN PIERRE, PLACEZ LE TROU À CÔTÉ D'UN DES MONTANTS. POUR LES MURS EN MAÇONNERIE, BÉTON OU BLOC DE BÉTON, PLACEZ LE TROU À L'ENDROIT LE PLUS PRATIQUE.



DIMENSION FINIE	PETIT CHÂSSIS	MOYEN CHÂSSIS	GRAND CHÂSSIS
A	41,11 CM	46,20 CM	51,75 CM
B	66,52 CM	66,52 CM	71,76 CM

REMARQUE: CES DIMENSIONS SONT POUR LA TAILLE D'UN TROU FINI.

Figure C
CONSTRUCTION À OSSATURE EN BOIS

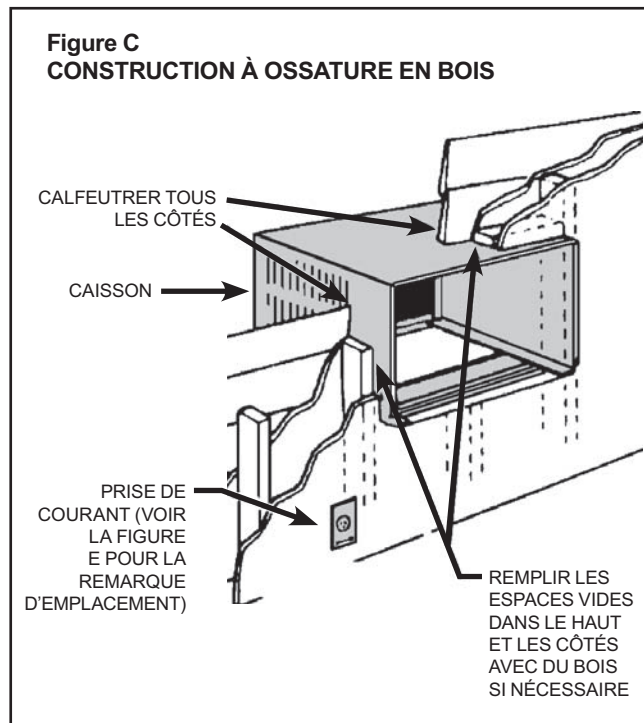


Figure D
CONSTRUCTION À PLACAGE EN BRIQUE

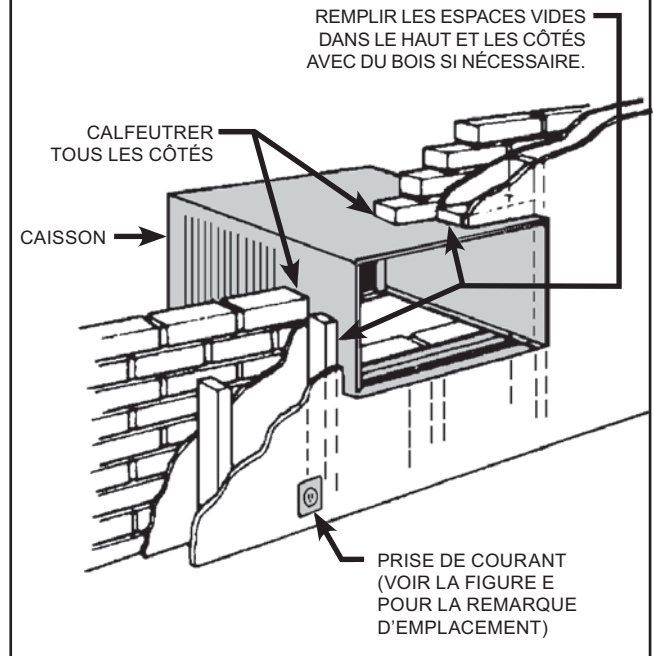


Figure E
CONSTRUCTION À MAÇONNERIE PLEINE

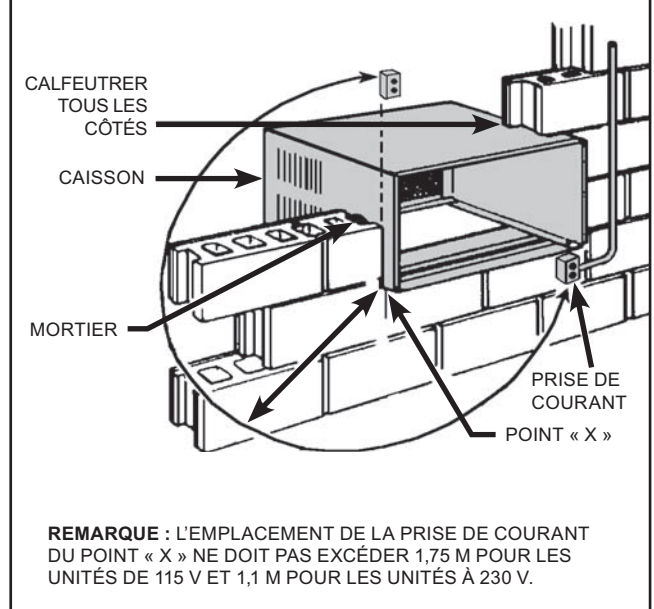
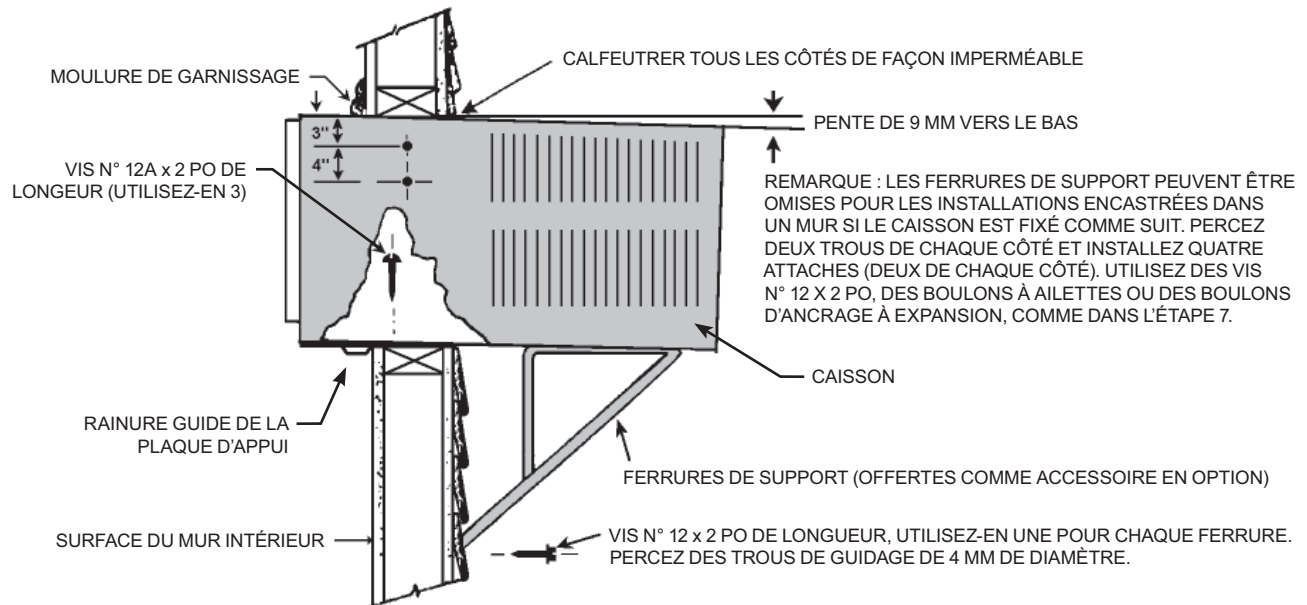


Figure F INSTALLATION TYPIQUE



ÉTAPE 6 Glissez le caisson dans le trou assez loin pour permettre à la rainure guide de la plaque d'appui d'entrer en contact avec la surface du mur intérieur (voir la figure F).

ÉTAPE 7 Percez trois (3) trous de guidage de 4 mm de diamètre dans les trous de la plaque d'appui dans le cadrage et installez trois (3) vis n° 12A x 2 po de longueur (voir la figure F).

REMARQUE: AUTRES ATTACHES QUI PEUVENT ÊTRE UTILISÉES POUR FIXER LA PLAQUE D'APPUI AU MUR ET LES FERRURES DE SUPPORT AU MUR EXTÉRIEUR (NON FOURNIES, MAIS OFFERTES DANS LES QUINCAILLERIES LOCALES).



**BOULON D'ANCRAGE
À EXTENSION**



**BOULON À
AILETTES**

ÉTAPE 8 Percez deux (2) trous de guidage de 4 mm de diamètre de chaque côté du caisson aux endroits indiqués (voir la figure F) et installez quatre (4) vis n° 12A x 2 po de longueur (article n° 4, page 45). Si l'étape 5 (construction du trou) fournit un montage robuste avec des montants verticaux solides, les ferrures de support ne sont pas requises. L'installation doit soutenir le poids de l'unité plus une charge supplémentaire de 180 kg à l'arrière du caisson.

Si vous avez des ferrures de support, elles peuvent certainement être utilisées pour les installations encastrées dans un mur comme dans la figure F.

Si la fiabilité du mur est douteuse, une trousse d'installation dans une fenêtre, qui comprend des ferrures de support, peut être commandée (voir Accessoires).

ÉTAPE 9 Si désiré, dégrossissez autour du caisson du côté de la pièce au moyen d'une chambranle appropriée fournie par l'installateur (voir la figure F).

ÉTAPE 10 Terminez l'installation en suivant les étapes 13 à 18 des directives d'INSTALLATION DANS UNE FENÊTRE À GUILLOTINE, pages 49 et 50.

ÉTAPE 11 Reportez-vous à la « SECTION DE FONCTIONNEMENT » pour obtenir des directives.

REMARQUE

Les instructions de montage de l'enveloppe avec pente doivent être respectées pour éviter l'entrée d'eau dans le pièce.

Conseils de dépannage

Panne de courant

Si vous avez une panne de courant, la fonction de redémarrage automatique de l'unité reprendra le fonctionnement dans le mode choisi avant la panne de courant.

Ne rafraîchit pas ?

Si votre climatiseur fonctionne, mais ne rafraîchit pas, assurez-vous que les commandes soient bien réglées. Vérifiez le filtre et nettoyez-le à fond si nécessaire. Assurez-vous que la porte d'événement est fermée. Vérifiez si le joint d'étanchéité de châssis est installé (reportez-vous aux directives d'installation).

Ne fonctionne pas ?

Assurez-vous que le cordon d'alimentation soit branché correctement. Vérifiez si le fusible est grillé, si le disjoncteur ou le dispositif LCDI sont déclenchés. Reportez-vous à la page 39 pour les directives de réinitialisation du LCDI et pour confirmer la bonne taille du fusible.

Pour les modèles QuietMaster programmables seulement :

Vous pouvez réinitialiser la carte de circuits imprimés en appuyant sur le bouton « Moneysaver » et le bouton « Check Filter » en même temps. La DEL (petite lumière rouge) pour Check Filter commencera à clignoter. Dès que cela se produit, éteignez l'unité en appuyant sur le bouton On/Off une fois puis en débranchant l'unité. Finalement, rebranchez l'unité et mettez-la en marche en appuyant sur le bouton On/Off une fois. Tous les réglages retournent aux réglages choisis en usine.

Il s'agit d'un appareil pour temps chaud

Votre climatiseur est conçu pour refroidir en temps chaud lorsque la température extérieure est supérieure à 16 °C (60 °F) et inférieure à 46 °C (115 °F); par conséquent il ne refroidira pas une pièce s'il fait déjà frais à l'extérieur. Si vous désirez rafraîchir une pièce au printemps ou à l'automne, appuyez sur **Fan Only** et réglez la commande **Fresh Air/exhaust** à **Fresh Air**. Cela fera entrer de l'air plus frais de l'extérieur.

De la condensation est un phénomène normal

Les climatiseurs pompent en fait de la chaleur et de l'humidité de votre pièce pour les repousser vers l'extérieur. L'humidité devient de l'eau et votre climatiseur utilisera la majorité de l'eau pour garder le serpentin extérieur frais. S'il y a trop d'humidité, il peut y avoir un excédent d'eau qui s'écoulera à l'extérieur. Il s'agit d'un phénomène normal.

Givrage

Cela se produit habituellement à cause d'un débit d'air insuffisant à travers les serpentins, d'un filtre sale, de temps frais et humide ou de ces trois facteurs. Réglez l'unité à **Fan Only** et le givrage disparaîtra. Régler le thermostat à une température un peu plus élevée empêchera probablement le givrage de se reproduire.

Bruits

Tous les climatiseurs font du bruit. Nous les fabriquons pour qu'ils fonctionnent le plus silencieusement possible. Un climatiseur installé dans un

mur est plus silencieux qu'un climatiseur installé dans une fenêtre. Il est important de s'assurer que le joint d'étanchéité de châssis est correctement installé (reportez-vous aux directives d'installation).

Nettoyage de votre climatiseur

Le panneau décoratif avant et l'armoire peuvent être nettoyés avec de l'eau tempérée et un détergent liquide doux. Vous pouvez passer l'aspirateur sur le serpentin intérieur avec un accessoire d'époussetage s'il semble sale. Le serpentin extérieur peut être légèrement pulvérisé avec un boyau si vous pouvez l'atteindre. Sinon, vous pouvez communiquer avec votre concessionnaire pour un nettoyage plus complet au besoin. Le filtre à air doit être examiné chaque semaine et nettoyé au besoin en passant l'aspirateur avec un accessoire d'époussetage ou en le nettoyant dans l'évier au moyen d'eau tempérée et d'un détergent à vaisselle doux. Séchez le filtre à fond avant de le réinstaller. Faites attention - la surface du serpentin peut être coupante.

Les thermopompes fonctionnent différemment

Si votre unité est un modèle « Y » ou thermopompe, il y a certaines choses que vous devriez savoir.

Certaines fonctions d'une thermopompe varient de votre unité lorsqu'elle est utilisée pour chauffer :

1. Il est normal que de la glace se forme à l'extérieur du serpentin d'une thermopompe. De l'humidité dans l'air extérieur, passant sur le serpentin lorsqu'il fait très froid, produira de la glace.
2. Si la température extérieure tombe en dessous de 3°C (37 °F), votre thermopompe activera automatiquement la chaleur de résistance électrique. Lorsque la température atteint 4 °C (40 °F), le compresseur reprendra le fonctionnement de la thermopompe. Si votre unité est un modèle à 115 volts (YS09), il est conçu pour être utilisé dans des climats chauds et ne possède pas de fonction de chauffage électrique et ne fournira pas de chaleur adéquate en dessous de 3 °C (37 °F).

AVERTISSEMENT



DANGER D'ELECTROCHOC

Déconnectez l'alimentation avant intervention.

Remettez tous les composants et panneaux avant de faire fonctionner.

Ne pas faire cela peut provoquer la mort ou un électrochoc.

Accessoires offerts

Trousse de drainage DC - pièce n° 01900235

Dans certaines installations, l'excédent d'eau de condensation causé par des conditions extrêmement humides, peut causer un égouttement non désiré comme sur un patio ou une entrée. LA TROUSSE DE DRAINAGE MODÈLE DC-2 (pièce n° 01900-235) peut être installée pour vidanger l'excès de condensat.

CES ACCESSOIRES PEUVENT ÊTRE COMMANDÉS AUPRÈS DE VOTRE CONCESSIONNAIRE FRIEDRICH.

Trousses d'installation pour fenêtre

Les climatiseurs de fenêtre TwinTemp ou de chauffage/refroidissement sont expédiés sans quincaillerie de montage dans une fenêtre parce qu'ils sont rarement installés dans une fenêtre. Dans le cas où ces unités seraient installées dans une fenêtre, des trousse d'installation dans une fenêtre sont offertes. Selon la taille du châssis pour lequel une trousse d'installation est requise, commandez :

- WIKS pour les petits châssis (modèles ES, YS)
- WIKM pour les châssis moyens (modèles EM, YM)
- WIKL pour les grands châssis (modèles EL, YL)



Friedrich Air Conditioning Company

P.O. Box 1540

San Antonio, TX 78295 É.-U.

210.357.4400

www.friedrich.com

CLIMATISEURS DE FENÊTRE GARANTIE LIMITÉE

PREMIÈRE ANNÉE

TOUTE PIÈCE : Si toute pièce fournie par FRIEDRICH tombe en panne à cause d'un défaut de main d'œuvre ou de matériaux dans un délai de douze mois suivant la date d'achat original, FRIEDRICH réparera le produit sans frais, à condition que le climatiseur soit raisonnablement accessible pour le service. Tout frais de main d'œuvre supplémentaire pour retirer les unités inaccessibles et/ou les frais de déplacement d'une entreprise de service se trouvant à plus de 40 kilomètres pour l'aller seront pris en charge par le propriétaire. Ce remède est expressément accepté comme étant le seul remède offert dans une période de douze mois à compter de la date d'achat original.

DEUXIÈME À CINQUIÈME ANNÉE

SYSTÈME DE RÉFRIGÉRATION SCÉLLÉ : Si le système de réfrigération scellé défini pour les besoins présents comme étant le compresseur, le serpentin du condensateur, le serpentin d'évaporateur, le robinet inverseur, le clapet de retenue, le capillaire, le déshydrateur et toute la tuyauterie d'interconnexion) fourni par FRIEDRICH dans votre climatiseur de fenêtre tombe en panne à cause d'un défaut de main d'œuvre ou de matériaux dans une période de six mois à compter de la date d'achat, FRIEDRICH paiera une allocation de main d'œuvre et de pièces nécessaire à la réparation du système de réfrigération scellé; **À CONDITION** que FRIEDRICH ne paie pas les frais de diagnostic du problème, d'enlèvement, de fret et de transport du climatiseur en direction et en provenance de l'entreprise de service et les frais de réinstallation associés à la réparation du système de réfrigération scellé. Le propriétaire sera entièrement responsable de tous ces frais. Ce remède est expressément accepté comme étant le seul remède offert dans une période de six mois à compter de la date d'achat original.

APPLICABILITÉ ET RESTRICTIONS : Cette garantie s'applique uniquement aux unités se trouvant dans les cinquante états des É.-U., le District of Columbia et le Canada. Cette garantie ne s'applique pas aux :

1. filtres à air ou fusibles;
2. produits sur lesquels les numéros de modèle et de série ont été retirés;
3. produits qui ont des défauts ou des dommages causés par une mauvaise installation, un mauvais câblage, des caractéristiques de courant électrique ou d'entretien inappropriés ou causés par un accident, une mauvaise utilisation ou de l'abus, un incendie, une inondation, des modifications et/ou des avaries du produit et/ou des unités installées dans une atmosphère corrosive, une défaillance ou un délai de rendement causé par une guerre, des restrictions ou contraintes gouvernementales, des grèves, des pénuries de matériaux au-delà du contrôle de FRIEDRICH ou des catastrophes naturelles.

OBTENIR LE SERVICE DE GARANTIE : Le service sera fourni par un **Concessionnaire autorisé** ou une **entreprise de service FRIEDRICH** dans votre région. Ils se trouvent dans les Pages Jaunes. Si vous avez besoin d'aide pour obtenir le service de garantie, veuillez écrire à : Room Air Conditioner Service Manager, Friedrich Air Conditioning Co., P.O. Box 1540, San Antonio, TX 78295-1540 É.-U.

RESTRICTIONS : CETTE GARANTIE REMPLACE TOUTES LES AUTRES GARANTIES. Indépendamment de ce qui se trouve dans la garantie, TOUTES GARANTIES IMPLICITES D'ADAPTATION À UN USAGE PARTICULIER OU DE VALEUR MARCHANDE SE LIMITENT À LA DURÉE DE CETTE GARANTIE EXPRESSE. LE FABRICANT RENONCE EXPRESSÉMENT ET EXCLUT TOUTE RESPONSABILITÉ RELATIVE AUX DOMMAGES CONSÉCUTIFS OU ACCIDENTELS POUR VIOLATION À TOUTE GARANTIE EXPRESSE OU IMPLICITE.

REMARQUE : Certaines provinces ne permettent pas les restrictions sur la durée de la garantie implicite, ou ne permettent pas les limites ou exclusions des dommages consécutifs ou accidentels; par conséquent, les exclusions ou restrictions précédentes peuvent ne pas s'appliquer à vous.

AUTRE : Cette garantie vous donne des droits juridiques précis et vous pouvez avoir d'autres droits qui peuvent varier d'une province à l'autre.

PREUVE D'ACHAT : Le propriétaire doit fournir une preuve d'achat afin d'obtenir tout service en vertu de la garantie.

Le consommateur sera entièrement responsable de tous les appels de service pour expliquer le fonctionnement de ce produit.

Tout service de garantie doit être fourni par une **Entreprise de service FRIEDRICH autorisée**, à moins d'obtenir une autorisation de FRIEDRICH avant que les réparations de soient effectuées.

Friedrich

Friedrich Air Conditioning Co.

Post Office Box 1540 • San Antonio, Texas 78295-1540

4200 N. Pan Am Expressway • San Antonio, Texas 78218-5212

(210) 357-4400 • FAX (210) 357-4480

www.friedrich.com

Printed in the U.S.A.

920-198-01 (04-08)