

## Room Air Conditioners

### Portable Chassis Models

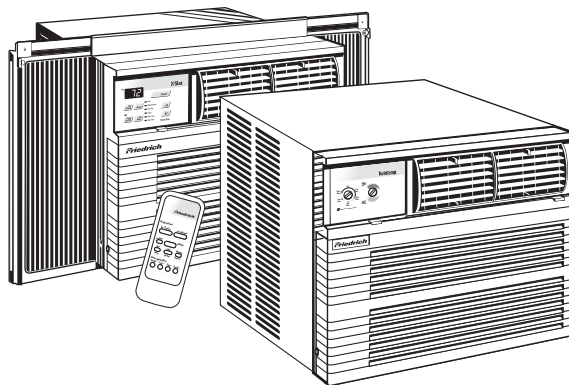
---

<b>X-Star</b>	XQ05, XQ06, XQ08, XQ10, XQ12
---------------	------------------------------

---

<b>Twintemp</b>	EQ08, YQ07
-----------------	------------

---



#### Register your air conditioner

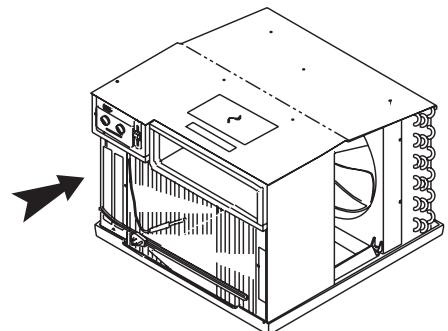
Model information can be found on the name plate. It is located on the front of the unit, on the left side directly below the controls.

To register your room air conditioner, complete and mail the enclosed registration card or register on-line at [www.friedrich.com](http://www.friedrich.com) (USA only). For your future convenience, record the model information here.

MODEL NUMBER

SERIAL NUMBER

PURCHASE DATE



# Congratulations!

You have purchased the very latest in room air conditioner technology. Your new Friedrich high efficiency room air conditioner will give you many years of dependable service. Many extra features have been built into your Friedrich air conditioner to assure quiet operation, the best circulation of cool, dry air, functional controls, and the most economical operation.

## Table of contents

### Air Conditioner Operation

Your Safety and the safety of others..... 2  
 Before operating your unit..... 3  
 For the best cooling performance and highest energy efficiency ..... 3

### XQ models

To start unit ..... 4  
 To set mode of operation..... 4  
 MoneySaver® feature ..... 4  
 To adjust temperature ..... 4  
 To adjust fan speed ..... 4  
 To activate SMART FAN ..... 4  
 To set hour clock..... 4  
 To set the timer ..... 4  
 Automatic component protection ..... 4  
 How to use the remote control..... 5

### YQ/EQ models

Temperature control ..... 5  
 Function control..... 5

### Care and Maintenance

Removing and cleaning the filter ..... 6

### Air Conditioner Installation

Electrical requirements ..... 6  
 Installation hardware..... 6  
 Sash window installations ..... 7  
 Through-the-wall installations ..... 9  
 Troubleshooting tips ..... 11  
 Accessories ..... 11  
 Warranty ..... 12

**Your safety and the safety of others are very important.**

We have provided many important safety messages in this manual and on your appliance. Always read and obey all safety messages.



This is a safety Alert symbol.  
 This symbol alerts you to potential hazards that can kill or hurt you and others.  
 All safety messages will follow the safety alert symbol with the word "WARNING" or "CAUTION". These words mean:



You can be killed or seriously injured if you do not follow instructions.



You can receive minor or moderate injury if you do not follow instructions.

All safety messages will tell you what the potential hazard is, tell you how to reduce the chance of injury, and tell you what will happen if the instructions are not followed.



A message to alert you of potential property damage will have the word "NOTICE". Potential property damage can occur if instructions are not followed.

## WARNING: Before operating your unit

### Make sure the wiring is adequate for your unit.

If you have fuses, they should be of the time delay type. Before you install or relocate this unit, be sure that the amperage rating of the circuit breaker or time delay fuse does not exceed the amp rating listed in Figure 1.

### DO NOT use an extension cord.

The cord provided will carry the proper amount of electrical power to the unit; an extension cord will not.

### Make sure that the receptacle is compatible with the air conditioner cord plug provided.

This insures proper grounding. If you have a two prong receptacle you will need to have it replaced with a grounded receptacle by a certified electrician. The grounded receptacle should meet all national and local codes and ordinances. Under no circumstances should you remove the ground prong from the plug. You must use the three prong plug furnished with the air conditioner.

### Test the power cord

All Friedrich room air conditioners are shipped from the factory with a Leakage Current Detection Interrupter (LCDI) equipped power cord. The LCDI device meets the UL and NEC requirements for cord connected air conditioners effective August 2004.

#### To test your power supply cord:

1. Plug power supply cord into a grounded 3 prong outlet.
2. Press RESET (See Figure 2).
3. Press TEST (listen for click; Reset button trips and pops out).
4. Press and release RESET (listen for click; Reset button latches and remains in). The power supply cord is ready for operation.

#### NOTE: LCDI device is not intended to be used as a switch.

Once plugged in, the unit will operate normally without the need to reset the LCDI device.

If the device fails to trip when tested or if the power supply cord is damaged, it must be replaced with a new supply cord from the manufacturer. We recommend you contact our **Technical Assistance Line** at (800) 541-6645 ext. 845. To expedite service, please have your model and serial number available.


MODEL	CIRCUIT RATING OR TIME DELAY FUSE		REQUIRED WALL RECEPTACLE	
	AMP	VOLT	NEMA NO.	
XQ05 • XQ06 XQ08 • XQ10 XQ12 • EQ08 YQ07	15	125	5-15R	


Figure 1

**⚠ WARNING**

**Electrical Shock Hazard**

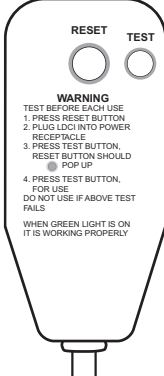
**Make sure your electrical receptacle has the same configuration as your air conditioner's plug. If different, consult a Licensed Electrician.**

**Do not use plug adapters.  
Do not use an extension cord.  
Do not remove ground prong.**



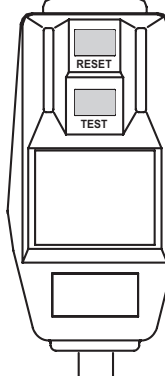
**Always plug into a grounded 3 prong outlet.  
Failure to follow these instructions can result in death, fire, or electrical shock.**

**NOTE:** Your LCDI device will resemble one of these illustrations.



**RESET**    **TEST**

**WARNING**  
TEST BEFORE EACH USE  
1. PRESS RESET BUTTON  
2. PLUG LCDI INTO POWER RECEPTACLE  
3. PRESS TEST BUTTON, RESET BUTTON SHOULD POP UP  
4. PRESS TEST BUTTON, FOR USE. DO NOT USE IF ABOVE TEST FAILS  
WHEN GREEN LIGHT IS ON IT IS WORKING PROPERLY



**RESET**  
**TEST**

Figure 2

## For the best cooling performance and highest energy efficiency

### Keep the filter clean

Make sure that your air conditioner is always in top performing condition by cleaning the filter regularly. Instructions for removing and cleaning the filter can be found on page 6.

### Provide good air flow

Make sure the airflow path to and from the unit is clear. Your air conditioner puts the conditioned air out at the top of the unit, and takes in unconditioned air at the bottom. Airflow is critical to good operation. It is just as important on the outside of the building that the airflow around the unit exterior is not blocked.

### Unit placement

If your air conditioner can be placed in a window or wall that is shaded by a tree or another building, the unit will operate even more efficiently. Using drapes or blinds on the sunny side of the dwelling will also add to your unit's efficiency.

### Insulation

Good insulation will be a big help in maintaining desirable comfort levels. Doors should have weather stripping. Be sure to caulk around doors and windows.

### Proper installation of seal gasket

Make sure the seal gasket has been installed properly to minimize noise and improve efficiency. If the seal gasket has not been installed, please refer to installation instructions on page 8.

# How to operate your Friedrich room air conditioner (XQ models)

## To start unit

If your air conditioner is installed and plugged into a proper receptacle, it is ready to go. The first time the unit is started, the compressor will delay for three minutes. See Automatic Component Protection on the following page.

- 1 Touch the **Power** button once. The unit will automatically be in **Cool** mode with the temperature set at 75°F (24°C) and the fan speed at F1, the sleep setting.

## To set mode of operation

When you first turn the unit on, it will be in the **Cool** mode (light on), with constant fan.

- 2 Touch the **Mode** button once to activate the **MoneySaver®** (light on).

**MoneySaver®** is a feature that cycles the fan with the compressor so that the fan does not run all the time. This saves energy and improves dehumidification. Or you may prefer constant fan for more air movement (to return to constant fan, touch the **Mode** button two more times).

In order to run the fan by itself, do the following:

- 3 Continuing from **MoneySaver®** mode (light on), touch the **Mode** button once to activate the **FAN ONLY** feature (light on).

The **FAN ONLY** setting will circulate air in the room without the compressor coming on.

## To adjust temperature

- 4 Use the **Mode** button to select either the **COOL** or **MoneySaver®** function
- 5 **COOLER** – Touch the **∨** button to lower the room air temperature.
- 6 **WARMER** – Touch the **∧** button to raise the room air temperature.
- 7 Press both the **∧** and **∨** buttons at the same time to switch the temperature readout from Fahrenheit (°F) to Celsius (°C).

Repeat step 7 to switch from °C back to °F.

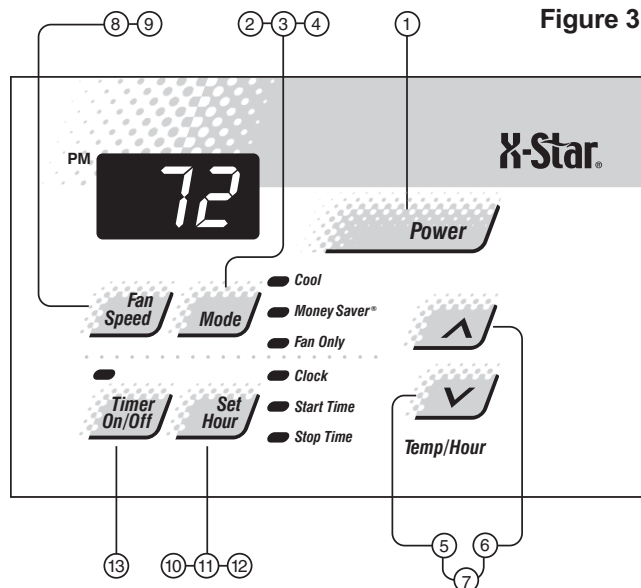
## To adjust fan speed

- 8 Touch the **Fan Speed** button to see the current setting. Touch it again to change speed. F1 is the lowest setting (**SLEEP SETTING / LOW**), F2 is **MEDIUM**, and F3 is **HIGH**.

## To activate Smart Fan

- 9 There is a fourth option, SF, when selecting the fan speed. This is the **SMART FAN** function. SMART FAN DOES NOT OPERATE IN CONJUNCTION WITH THE FAN ONLY MODE.

Smart Fan will adjust the fan speed automatically to maintain the desired comfort level. For example, if the outside doors in your home are opened for an extended period of time, or more people enter a room, Smart Fan may adjust to a higher fan speed to compensate for the increased heat load. This keeps you from having to adjust the fan speed on your own.



## To set the hour clock

- 10 Touch the **Set Hour** button to see the current setting (clock light comes on). The number that is displayed is the approximate time (hour only). Use the **∧** and **∨** buttons to change the settings. BE SURE TO SET A.M. AND P.M. ACCORDINGLY. (P.M. is indicated by a red light in the upper left corner of the display).

## To set the timer

**NOTE:** Set the **HOUR CLOCK** before attempting to set timer functions.

You can set the **START** and **STOP** times a minimum of one hour apart, and a maximum of twenty-three hours apart.

- 11 After setting the time, press the **Set Hour** button once (Start light comes on). Use the **∧** and **∨** buttons to select the time that the unit will **START**.
- 12 After selecting the **START** time, press the **Set Hour** button once more (Stop light comes on). Use the **∧** and **∨** buttons to select the time that the unit will **STOP**. After selecting the stopping time, press the **Set Hour** button once.
- 13 Press the **Timer On/Off** button (light turns on) to activate the timer function. To deactivate this function, press the **Timer On/Off** button once again (light turns off). Once the on and off times have been selected, they will remain in memory and cycle daily until changed.

**NOTE:** If the unit is unplugged or the power is interrupted, the **HOUR** must be reset or the **Timer On/Off** will not function when desired.

## Automatic component protection

Your unit is equipped with Automatic Component Protection. To protect the compressor of the unit, there is a three minute start delay if you turn the unit off or if power is interrupted. The fan operation will not be affected. Also, if you switch from **Cool** mode to **Fan Only**, and switch back to **Cool** mode, there is a three minute delay before the compressor comes back on.

# How to use the remote control

## To start unit

- 1 **POWER** - Press the **Power** button once. The unit will automatically start in the mode and fan speed it was last left on.

## To set mode of operation

- 2 **COOL** - Press the **Cool** button to automatically switch the operating mode to COOL.
- 3 **FAN ONLY** - Press the **Fan Only** button if you want to run the fan only.
- 4 **MoneySaver®** - Press the **MoneySaver®** button to activate the MoneySaver® feature. This feature cycles the fan with the compressor so that the fan does not run all the time.

## To adjust temperature setting

- 5 **WARMER** - Press the **Warmer** button to raise the temperature setting.
- 6 **COOLER** - Press the **Cooler** button to lower the temperature setting.

## To adjust fan speed

- 7 **FAN SPEED** - Press the **Fan Speed** button to see the current setting. Press again to change the fan speed. **F1** is the lowest setting (**SLEEP / LOW**), **F2** is **MEDIUM**, **F3** is **HIGH**, and **SF** is the **SMART FAN** setting.

## To set the hour clock

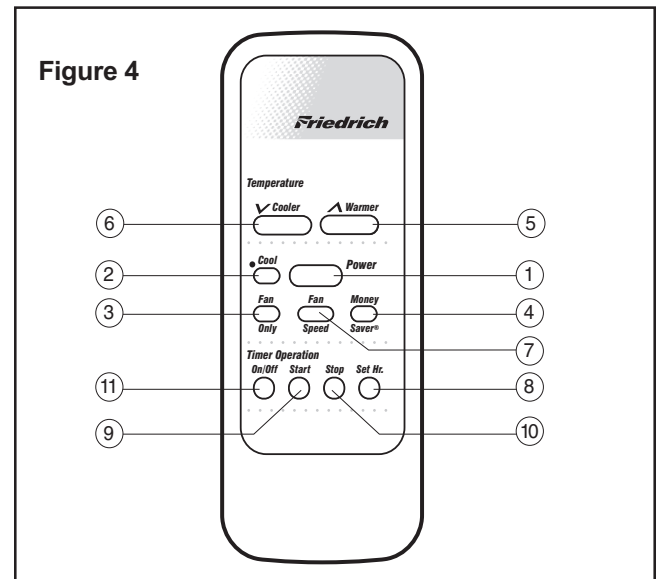
- 8 **SET HOUR CLOCK** - Press **Set Hr.** once to see the current clock setting. Continue pressing the button until you arrive at the current time (Hour only). Minutes are not shown on the display. Make sure that the A.M. / P.M. setting is correct.

## To set the timer

**NOTE:** You can set the **START** and **STOP** times a minimum of one hour apart, and a maximum of 23 hours apart.

- 9 **TIMER START** - Press **Start** to view the current start time for cooling. Continue pressing the **Start** button until you arrive at the start time you desire. The start time for cooling will then be set.
- 10 **TIMER STOP** - Press the **Stop** button. Continue pressing the **Stop** button until you arrive at the stop time you desire. The stop time for cooling will then be set.
- 11 **TIMER ON / OFF** - Press the **On/Off** button to activate (light on) or deactivate (light off) the timer. Once the on and off times have been selected, they will remain in memory and cycle daily until changed.

**NOTE:** If the unit is unplugged or the power is interrupted, the **Set Hr.** function must be reset or the **On/Off** function will not work.



Additional RC1 wireless remote controls can be purchased from your Friedrich dealer.

# How to operate your Friedrich room air conditioner (YQ07 / EQ08 models)

## Model YQ07

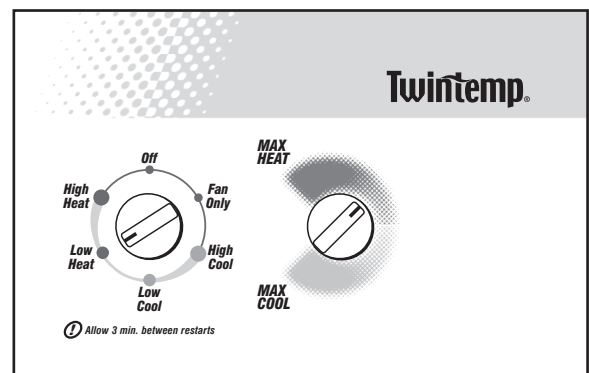
This model is designed for use in warmer climates; therefore it does not have back-up electric heat and will not provide adequate heating below an outdoor ambient temperature of 37°F (3° C).

## Function control

The left knob is a six position control that allows you to select heat or cool in either low speed or high speed. Plus you can select fan only if you wish.

## Temperature control

The right hand knob is the thermostat - turn it clockwise for cooler, counter-clockwise for warmer (See Figure 5).



**Figure 5**

# Care and maintenance

## To remove filter

Simply turn the unit off and pull the filter frame up and towards you (See Figure 6). Clean with warm water and a mild detergent, rinse, dry, and replace by sliding the filter back into position behind the front panel.

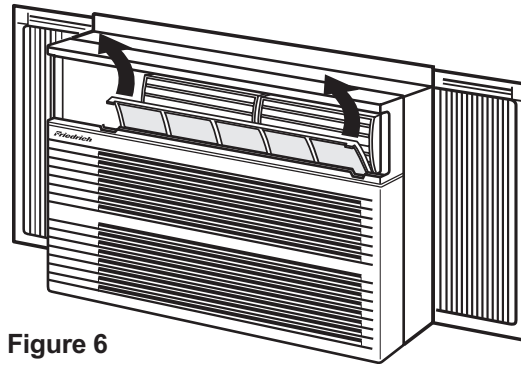


Figure 6

# Installation instructions


**NOTE:** This section includes installation instructions for window mount and thru-the-wall mount methods. TwinTemp® heat/cool units are designed for permanent thru-the-wall installation. Mounting the unit in a window will require a window mounting accessory kit, available through your Friedrich dealer.

**⚠ WARNING**

**Electrical Shock Hazard**

Make sure your electrical receptacle has the same configuration as your air conditioner's plug. If different, consult a Licensed Electrician.

Do not use plug adapters.  
Do not use an extension cord.  
Do not remove ground prong.



Always plug into a grounded 3 prong outlet.  
Failure to follow these instructions can result in death, fire, or electrical shock.

**CIRCUIT PROTECTION** - An overloaded circuit will invariably cause malfunction or failure of an air conditioner, therefore, it is necessary that the electrical protection is adequate. All portable chassis models require a 15 amp fuse or circuit breaker for over-ampereage protection. Due to momentary high current demand when your air conditioner is started, use a "TIME DELAY" fuse or a HACR type circuit breaker. Consult your dealer or power company if in doubt.

Your air conditioner must be connected to a power supply with the same A.C. voltage and hertz as marked on the unit nameplate. Only alternating current (A.C.), no direct current (D.C.), can be used.

The power cord has a plug with a grounding prong of approved type and a matching plug receptacle with ground is required. Refer to page 3 for the correct type of plug receptacle for your model.

**WARNING: NEVER CUT OR REMOVE THE GROUNDING PRONG FROM PLUG. NEVER USE EXTENSION CORDS TO OPERATE AN AIR CONDITIONER.**

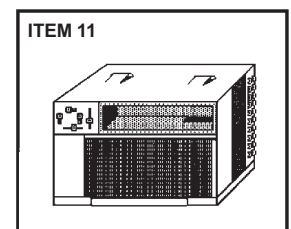
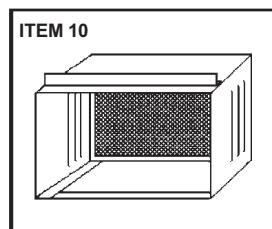
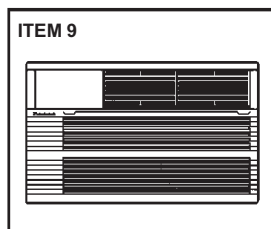
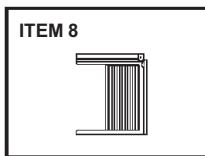
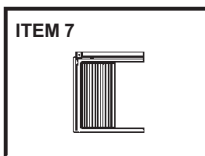
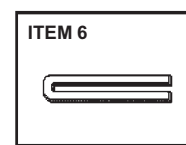
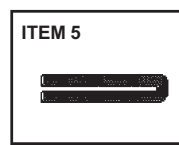
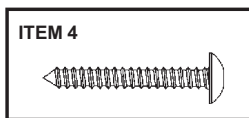
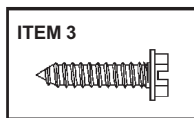
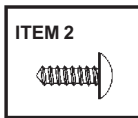
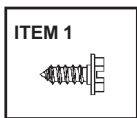
## READ THIS FIRST! Electrical Requirements

**IMPORTANT:** Before you begin the actual installation of the air conditioner, be sure your electrical requirements are as described below. Consult an electrical professional as necessary to insure home wiring is per local electrical codes.

# Items required for installation (provided in straight cooling units only)

ITEM NO.	DESCRIPTION	QTY.
1	SCREW, SHEET METAL, #8 x 3/8"	8
2	SCREW, PHILLIPS, TRUSS HEAD, #8 x 1/2"	4
3	SCREW, HEX, #8 x 7/8"	10
4	SCREW, PHILLIPS, #8 x 1 1/4"	2
5	GRAY GASKET, FOAM, 1" x 1 1/2" x 42"	1
6	WHITE GASKET, FOAM, 1" x 1 1/2" x 48"	1

ITEM NO.	DESCRIPTION	QTY.
7	LEFT SIDE CURTAIN ASSEMBLY	1
8	RIGHT SIDE CURTAIN ASSEMBLY	1
9	DECORATIVE FRONT PANEL	1
10	CABINET OR SLEEVE	1
11	AIR CONDITIONING UNIT	1



# Sash window installations

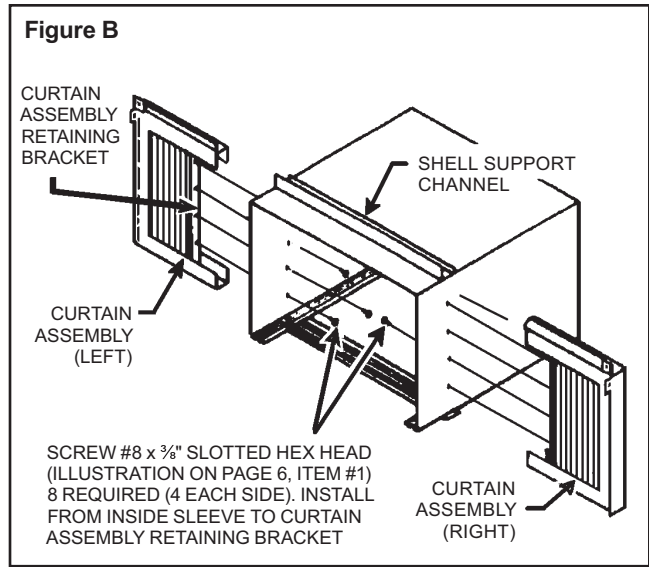
**⚠ WARNING**

**Falling Object Hazard**

Not following Installation Instructions for mounting your air conditioner can result in property damage, injury, or death.



- STEP 1** After removing the unit from shipping carton, remove tape holding decorative front in place. Lay front in a safe out-of-the-way place, then slide chassis out of cabinet (see Figure A).
- STEP 2** Attach curtain assemblies to cabinet as shown in Figure B. Use eight (8) No. 8 x 3/8" slotted hex head screws (item #1, page 6).
- STEP 3** Center cabinet in window with sill channel positioned against window stool as shown in Figure C, Section A-A.
- STEP 4** Pull window sash down behind Shell Support Channel on top of cabinet; this helps hold cabinet in place. Install No. 8 x 7/8" hex head screw (item #3, page 6) in sill channel at bottom of window opening as shown in Figure C.
- STEP 5** Extend the sliding curtains on each side so the frames fit into the window channels. While holding the curtain frames in place, mark four (4) hole locations (hole locations are in the upper corners on left and right curtain assembly), two (2) in the window jamb and two (2) in the window sash. Slip the curtains back from marked locations and drill four (4) 7/64" diameter pilot holes. Again, extend the sliding curtains on each side and then install two (2) no. 8 x 1/2" Phillips head screws (item #2, page 6) and two (2) No. 8 x 1 1/4" Phillips head screws (item #4) through the curtain frames as shown in Figure C.



**⚠ CAUTION**


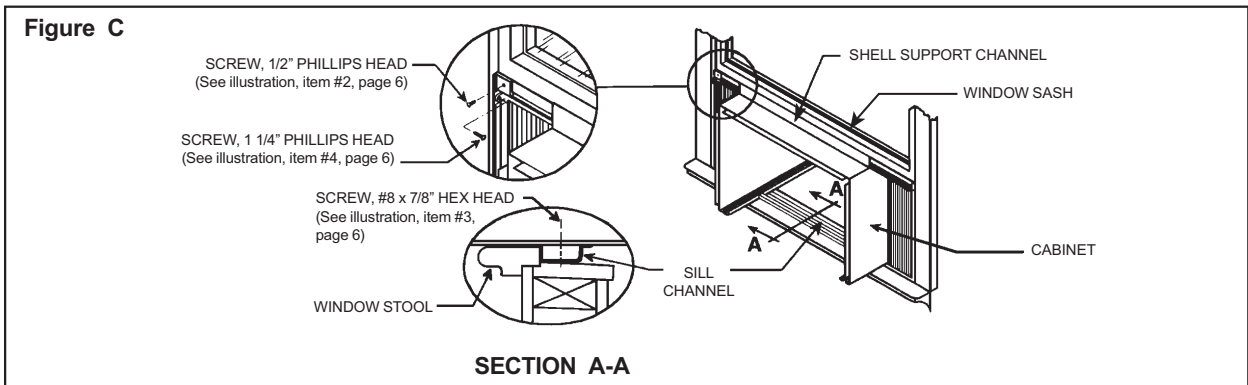
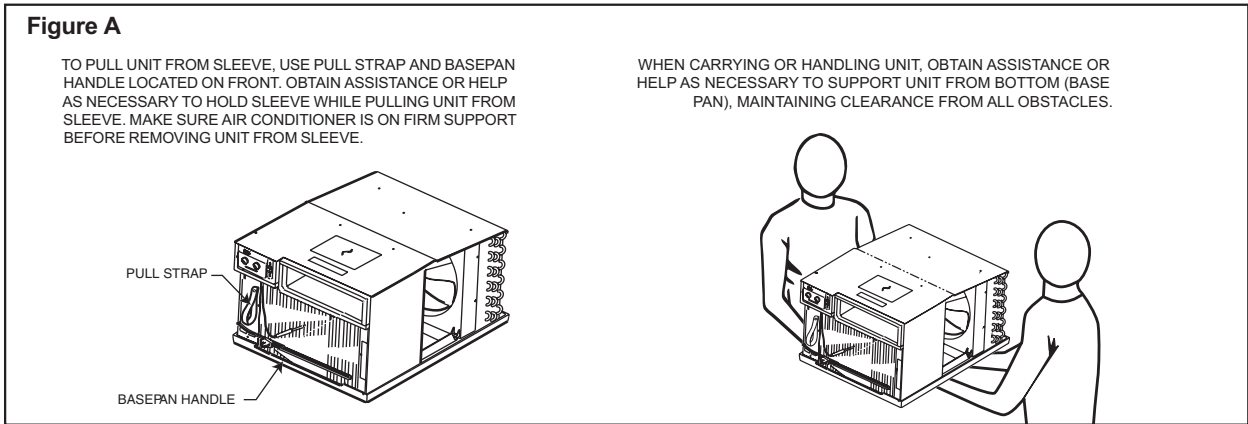
**Excessive Weight Hazard**

Use two or more people when installing your air conditioner. Failure to do so can result in back or other injury.

**⚠ CAUTION**

**Cut/Sever**

Although great care has been taken to minimize sharp edges in the construction of your unit, use gloves or other hand protection when handling unit. Failure to do so can result in minor to moderate personal injury.

**STEP 6** Inspect the unit before inserting it into the sleeve. The fan and blower wheel should be manually rotated to insure that they turn freely. Be sure the electrical cord will be out of the way when inserting the unit into the sleeve.

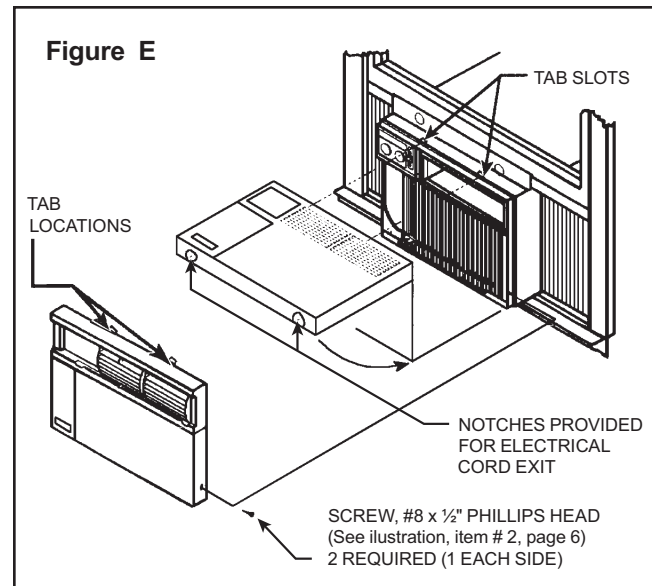
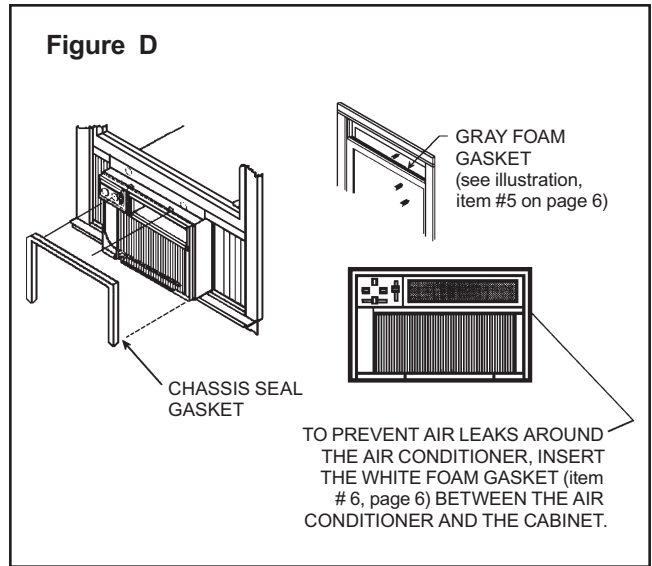
**NOTE:** For your safety, DO NOT plug the electrical cord into an electrical outlet until installation is complete.

**STEP 7** If the unit checks out OK, it is ready to be placed into position on bottom rails of the cabinet and pushed into place.


**NOTE:** Do all lifting of the unit by the bottom pan only and with assistance or help as necessary (see Figure A).

**STEP 8** Install the white chassis seal gasket (item #6, page 6) and the gray window seal gasket (item #5). Carefully insert the white gasket (item #6) between the chassis and the cabinet starting at either bottom corner and go up the side, across the top and down the opposite side. Insert the gray gasket (item #5) between the window sashes as shown in Figure D. If chassis seal gasket is not installed, the operation of the unit will be negatively affected. Also, the operation noise and outside noise will be amplified.

**STEP 9** Hold the decorative front as shown in Figure E. Insert the two tabs of the Decorative Front Panel into the slots in the top of the cabinet and lower the bottom of the decorative front to the bottom of the cabinet. Route the electrical cord to the right or left side of the bottom of the cabinet as required by the location of the electrical wall outlet. Use the notches provided at the bottom of the Decorative Front Panel for routing the electrical cord out of the unit. Attach the decorative front to the cabinet with two (2) No. 8 x 1/2" Phillips head screws (item #2, page 6).



**⚠ WARNING**



**Electrical Shock Hazard**  
**Unplug unit when servicing.**  
**Failure to follow these instructions can result in death, fire, or electrical shock.**

**STEP 10 CIRCUIT PROTECTION** - If the air conditioner is circuit protected by a fuse, use a "TIME DELAY" fuse or HACR type Circuit Breaker due to momentary high current demand when your air conditioner is started. Before operating your unit, verify the ampere rating of the time-delay fuse or circuit breaker which protects your unit. The ampere rating of the time-delay fuse or circuit breaker shall be 15 amps. Refer to Operation section for more detailed operating instructions.

**⚠ CAUTION**

**Excessive Weight Hazard**  
 Use two or more people when installing your air conditioner.  
 Failure to do so can result in back or other injury.

**⚠ WARNING**



**Moving Object Hazard**  
 Replace all panels before operating your air conditioner.  
 Failure to do so can result in injury.



# Thru-the-wall installations

**⚠ WARNING**

**Falling Object Hazard**

**Not following Installation Instructions for mounting your air conditioner can result in property damage, injury, or death.**



**STEP 1** After removing the unit from shipping carton, remove tape holding decorative front in place. Lay front in a safe out-of-the-way place, then slide chassis out of cabinet (see Figure A, page 7).

**STEP 2** Remove the shell channel from the top of the cabinet (see Figure B, page 7).

**NOTE:** Not applicable to heat pump models sold without quick mounting cabinet.

**STEP 3** LAYOUT - Cut and frame in an opening in the desired wall area using the illustration as a guide (see Figure F).

**STEP 4** Place the cabinet in the framed opening.

**NOTE:** Measure and shim void spaces between the side of cabinet and wood framing before securing to wall.

**STEP 5** Position the front edge to extend into the room  $\frac{3}{4}$ " minimum at top of cabinet and 1" minimum at bottom (see Figure G).

**STEP 6** Secure each side of the cabinet with No. 8 x  $\frac{7}{8}$ " hex head screws (item #3, page 6) or nails through the holes in the sides.

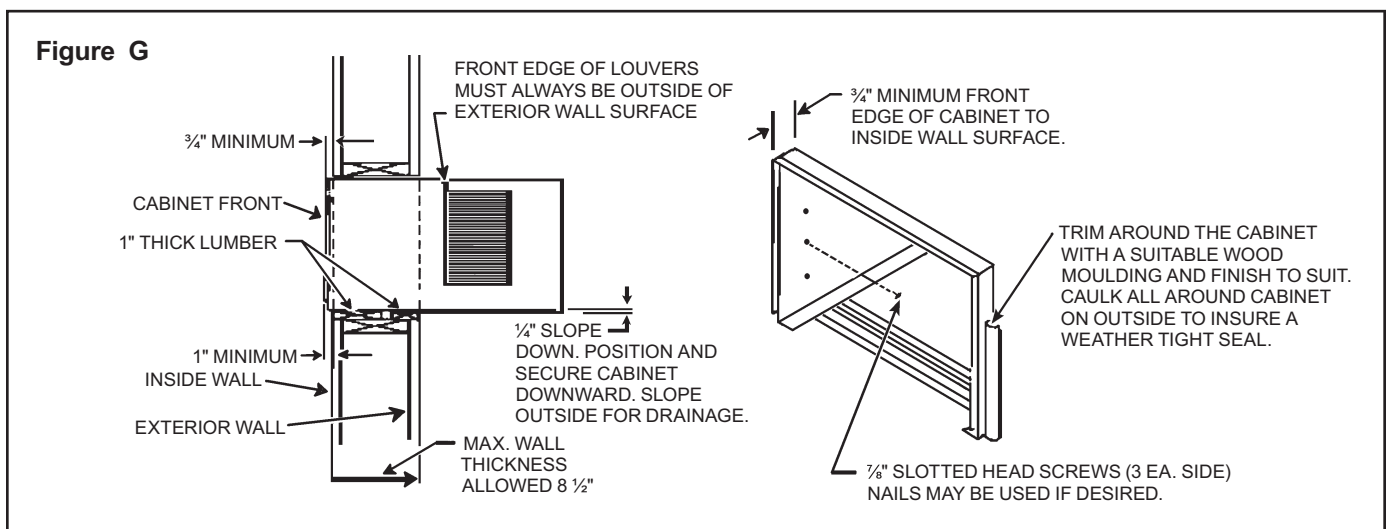
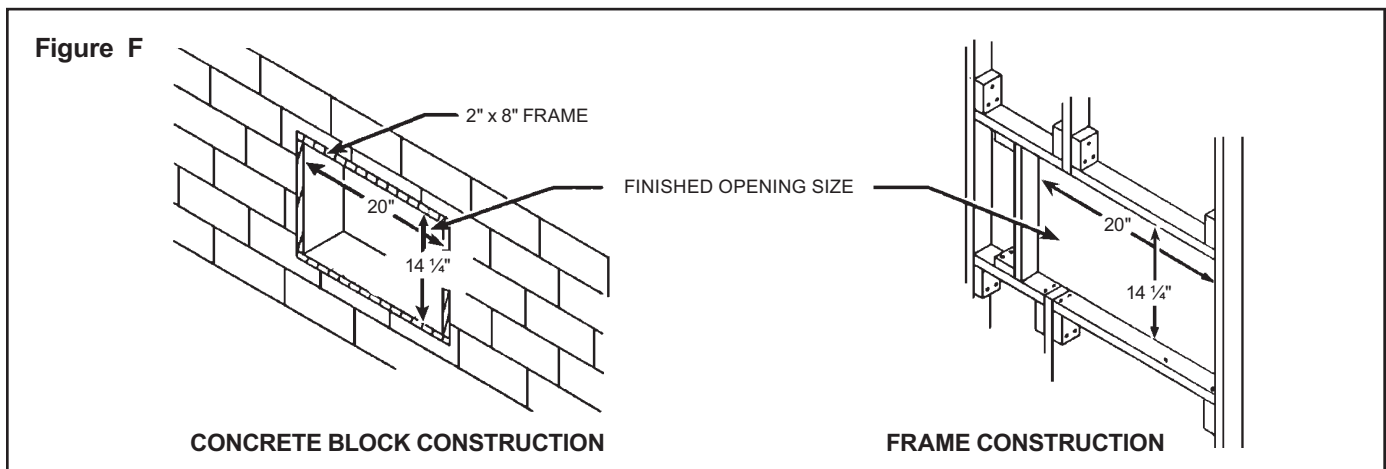
**NOTE:** ALTERNATE FASTENERS WHICH MAY BE USED FOR SECURING THE UNIT CABINET TO A WALL, INCLUDING MASONRY WALLS, ARE NOT FURNISHED (AVAILABLE AT LOCAL HARDWARE STORES).



**MOLLY OR TOGGLE BOLT**



**EXPANSION ANCHOR BOLT**



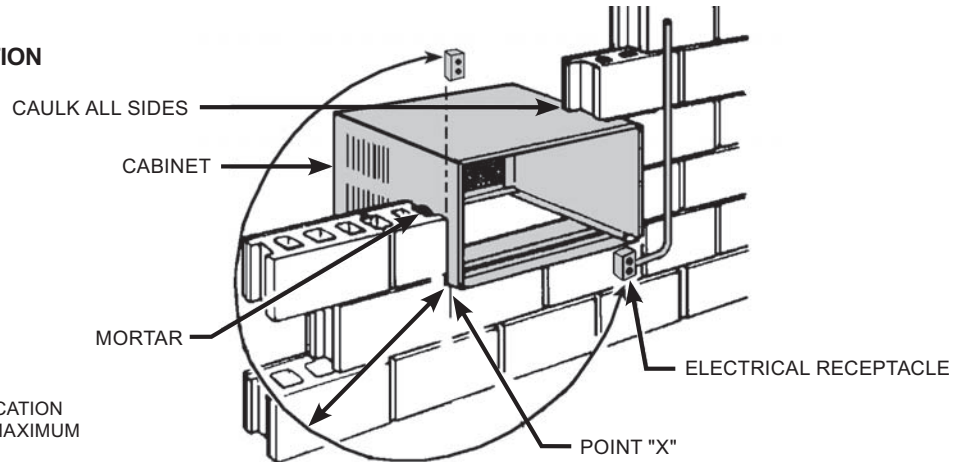
**STEP 7** Cut two pieces of standard 1" lumber (supplied by installer) to the length and width required. Place in front and back of bottom sill channel as shown in Figure G. Secure with nails (supplied by installer).

**STEP 8** Seal all holes in the cabinet with caulking compound (supplied by installer).

**STEP 9** Complete the installation by following STEPS 6 through 10 of Sash Window Instructions (Page 8). Window Seal Gasket mentioned in STEP 8 will not be required.

**IMPORTANT:** Before operating your unit, read STEP 10 of Sash Window Instructions.

**Figure H**  
**SOLID MASONRY CONSTRUCTION**



## Troubleshooting tips

### Power failure

If you have a power failure, the unit's auto-restart feature will resume operation in the selected mode prior to the power failure.

### Won't cool?

If your air conditioner operates, but won't cool; check to see if the controls are properly set. Check the filter and clean thoroughly if needed. Check to see if the chassis seal gasket is installed (refer to Installation Instructions, Step 8, page 8).

### Won't run?

Make sure the power cord is plugged in completely. Check for a bad fuse, tripped breaker or tripped LCDI Device. Refer to page 3 for LCDI reset instructions and to confirm proper fuse size.

#### **For X-Star models only:**

*You can reset the circuit board by pressing the "MODE" button and the "TEMPERATURE DOWN" button at the same time. The LEDs (small red lights) for Hour, Start and Stop will begin blinking. Once this occurs, turn the unit off by pressing the On/Off button once and then unplug the unit. Finally, plug the unit back in and turn it on by pressing the On/Off button once. All settings revert back to the factory default settings.*

### This is a warm weather appliance

Your air conditioner is designed to cool in warm weather when the outside temperature is above 60°F (16°C), so it won't cool a room if it is already cool outside. Also, it will not provide adequate heating when the outdoor ambient temperature falls below 37°F (3°C).

### Condensation is normal

Air conditioners actually pump the heat and humidity from your room to the outside air. Humidity becomes water, and your air conditioner will use most of the water to keep the outside coil cool. If there is excessive humidity, there may be excess water that will drip outside. This is normal operation.

### Frosting

This usually occurs because of insufficient airflow across the coils, a dirty filter, cool damp weather, or all of these. Set unit to **Fan Only** and the frost will disappear. Setting the thermostat a little warmer will probably prevent the frosting from recurring.

### Noises

All air conditioners make some noise. We build them to operate as quietly as possible. An air conditioner mounted in a wall is quieter than one mounted in a window. It is important to ensure that the chassis seal gasket is properly installed (refer to Installation Instructions, Step 8, page 8).

### Cleaning your air conditioner

The decorative front and the cabinet can be cleaned with warm water and a mild liquid detergent. The indoor coil can be vacuumed with a dusting attachment if it appears to be dirty. The outdoor coil can be gently sprayed with a hose if you can get to it. If not, you might call your dealer for a more thorough cleaning when needed. The air filter should be inspected weekly and cleaned if needed by vacuuming with a dust attachment or by cleaning in the sink using warm water and a mild dishwashing detergent. Dry the filter thoroughly before reinstalling. Use caution— the coil surface can be sharp.

### Heat pumps operate differently

If your unit is a "Y", or heat pump model, there are some things that you will want to be aware of.

Some functions of a heat pump differ from your unit when it is used for cooling:

1. It is normal for ice to form on the outdoor coil of the heat pump. Moisture in the outside air, passing over the coil when very cold, will form ice.
2. If the outdoor temperature drops below 37°F (-3°C), your heat pump will automatically turn on the electric resistance heat. When the temperature rises to 40°F (4°C), the compressor will resume the heat pump operation. If your unit is a 115 volt model (YQ07), it is designed for use in warmer climates and has no electrical heat feature, and will not provide adequate heat below 37°F(3°C).

## ⚠ WARNING



**Electrical Shock Hazard**  
**Disconnect power before servicing.**  
**Replace all parts and panels before operating.**  
**Failure to do so can result in death or electrical shock.**

## Available accessories

### Window installation kits - heat pump models

Friedrich YQ Heat Pump models are normally installed thru-the-wall and are packaged and sold without the expandable curtain assemblies. The WIKQ Curtain Assembly Kit may be purchased as an accessory for window installations. This accessory can be ordered from your Friedrich Dealer. When ordering a kit, state model and serial number of your unit.



**Friedrich Air Conditioning Company**

P.O. Box 1540  
San Antonio, TX 78295  
210.357.4400  
www.friedrich.com

## ROOM AIR CONDITIONERS LIMITED WARRANTY

### FIRST YEAR

**ANY PART:** If any part supplied by FRIEDRICH fails because of a defect in workmanship or material within twelve months from date of original purchase, FRIEDRICH will repair the product at no charge, provided room air conditioner is reasonably accessible for service. Any additional labor cost for removing inaccessible units and/or charges for mileage related to travel by a Service Agency that exceeds 25 miles one way will be the responsibility of the owner. This remedy is expressly agreed to be the exclusive remedy within twelve months from the date of the original purchase.

### SECOND THROUGH FIFTH YEAR

**SEALED REFRIGERANT SYSTEM:** If the Sealed Refrigeration System (defined for this purpose as the compressor, condenser coil, evaporator coil, reversing valve, check valve, capillary, filter drier, and all interconnecting tubing) supplied by FRIEDRICH in your Room Air Conditioner fails because of a defect in workmanship or material within sixty months from date of purchase, FRIEDRICH will pay a labor allowance and parts necessary to repair the Sealed Refrigeration System; **PROVIDED** FRIEDRICH will not pay the cost of diagnosis of the problem, removal, freight charges, and transportation of the air conditioner to and from the Service Agency, and the reinstallation charges associated with repair of the Sealed Refrigeration System. All such cost will be the sole responsibility of the owner. This remedy is expressly agreed to be the exclusive remedy within sixty months from the date of the original purchase.

**APPLICABILITY AND LIMITATIONS:** This warranty is applicable only to units retained within the Fifty States of the U.S.A., District of Columbia, and Canada. This warranty is not applicable to:

1. Air filters or fuses.
2. Products on which the model and serial numbers have been removed.
3. Products which have defects or damage which results from improper installation, wiring, electrical current characteristics, or maintenance; or caused by accident, misuse or abuse, fire, flood, alterations and/or misapplication of the product and/or units installed in a corrosive atmosphere, default or delay in performance caused by war, government restrictions or restraints, strikes, material shortages beyond the control of FRIEDRICH, or acts of God.

**OBTAINING WARRANTY PERFORMANCE:** Service will be provided by the **FRIEDRICH Authorized Dealer or Service Organization** in your area. They are listed in the Yellow Pages. If assistance is required in obtaining warranty performance, write to: Room Air Conditioner Service Manager, Friedrich Air Conditioning Co., P.O. Box 1540, San Antonio, TX 78295-1540.

**LIMITATIONS:** THIS WARRANTY IS GIVEN IN LIEU OF ALL OTHER WARRANTIES. Anything in the warranty notwithstanding, ANY IMPLIED WARRANTIES OF FITNESS FOR PARTICULAR PURPOSE AND/OR MERCHANTABILITY SHALL BE LIMITED TO THE DURATION OF THIS EXPRESS WARRANTY. MANUFACTURER EXPRESSLY DISCLAIMS AND EXCLUDES ANY LIABILITY FOR CONSEQUENTIAL OR INCIDENTAL DAMAGE FOR BREACH OF ANY EXPRESSED OR IMPLIED WARRANTY.

**NOTE:** Some states do not allow limitations on how long an implied warranty lasts, or do not allow the limitation or exclusion of consequential or incidental damages, so the foregoing exclusions and limitations may not apply to you.

**OTHER:** This warranty gives you specific legal rights, and you may also have other rights which vary from state to state.

**PROOF OF PURCHASE:** Owner must provide proof of purchase in order to receive any warranty related services.

All service calls for explaining the operation of this product will be the sole responsibility of the consumer.

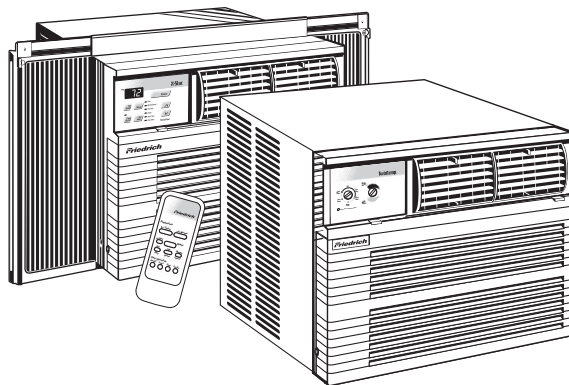
All warranty service must be provided by an **Authorized FRIEDRICH Service Agency**, unless authorized by FRIEDRICH prior to repairs being made.

(10-04)

## Unidades de aire acondicionado de tipo ventana

### Modelos de chasis portátil

<b>X-Star</b>	XQ05, XQ06, XQ08, XQ10, XQ12
<b>Twintemp</b>	EQ08, YQ07



#### Registre su unidad de aire acondicionado

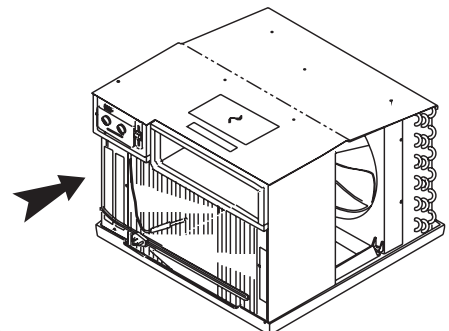
La información del modelo aparece en la placa de la parte frontal de la unidad, en el lado izquierdo, justo debajo de los mandos.

Por favor complete y envíe la tarjeta de registro que viene con el producto, o regístrese en línea en [www.friedrich.com](http://www.friedrich.com) (sólo en EE.UU.). Para su conveniencia, anote aquí la información del modelo.

NÚMERO DE MODELO

NÚMERO DE SERIE

FECHA DE COMPRA



# ¡Enhorabuena!

Acaba de comprar la tecnología más avanzada en unidades de aire acondicionado de tipo ventana. Su unidad de aire acondicionado de tipo ventana Friedrich le dará muchos años de servicio de confianza. Este modelo de Friedrich incorpora muchas características para garantizar el funcionamiento silencioso, la mejor circulación posible del aire frío, aire seco, controles funcionales y un funcionamiento económico.

## Contenido

### Funcionamiento del aire acondicionado

Su seguridad y la seguridad de los demás .....	14
Antes de utilizar la unidad .....	15
Para obtener el mejor rendimiento y el consumo más eficaz del aire acondicionado .....	15

### Modelos XQ

Puesta en marcha .....	16
Configuración del modo de funcionamiento .....	16
Función MoneySaver® .....	16
Ajuste de la temperatura .....	16
Ajuste de la velocidad del ventilador .....	16
Puesta en marcha del ventilador inteligente .....	16
Programación del reloj .....	16
Programación del temporizado .....	16
Protección automática de los componentes .....	16
Uso del mando a distancia .....	17

### Modelos YQ/EQ

Ajuste de la temperatura .....	17
Control de las funciones .....	17

### Cuidado y mantenimiento

Cómo quitar/limpiar el filtro .....	18
-------------------------------------	----

### Instalación del aire acondicionado

Requisitos de electricidad .....	18
Material de instalación .....	18
Instalación estándar de marco corredizo de la ventana .....	19
Instalaciones de pared .....	21
Consejos para solucionar problemas .....	23
Accesorios .....	23
Garantía .....	24

#### Su seguridad y la seguridad de los demás son muy importante.

Proporcionamos muchos mensajes de seguridad importantes en este manual y en su aparato. Siempre lea y obedezca todos los mensajes de seguridad.



Éste es un símbolo de alerta de seguridad.

Este símbolo lo alerta de posibles riesgos que pueden causarle la muerte o lesionarlo a usted o a otras personas.

Todos los mensajes de seguridad contarán con el símbolo de alerta de seguridad con la palabra "ADVERTENCIA" o "PRECAUCIÓN". Estas palabras quieren decir:

**ADVERTENCIA**

Puede ocasionarse la muerte o lesiones graves si no sigue las instrucciones.

**PRECAUCIÓN**

Puede provocarse lesiones leves a moderadas si no sigue las instrucciones.

Todos los mensajes de seguridad le indicarán cuál es el posible riesgo, le indicarán cómo reducir la probabilidad de lesionarse y lo que ocurrirá si no sigue las instrucciones.

**AVISO**

Los mensajes para alertarlo sobre posibles daños potenciales a la propiedad tendrán la palabra "AVISO". Pueden ocurrir daños a la propiedad si no sigue las instrucciones.

## ADVERTENCIA: Antes de utilizar la unidad

### Asegúrese de que los cables sean apropiados.

Si tienen fusible, deben ser de relevo. Antes de instalar o mover la unidad de sitio, asegúrese de que los amperios del interruptor automático y del fusible de relevo no excedan el máximo de amperios indicados en la figura 1.

### NO utilice un cable de extensión.

El cable que se suministra transmite la energía eléctrica necesaria para la unidad, y un alargador no lo haría.

### Asegúrese de que el enchufe de pared sea compatible con el enchufe del cable que se suministra.

Esto garantiza la toma de tierra apropiada. Si tiene un enchufe de pared de dos clavijas, necesita que un electricista certificado lo cambie por un enchufe de pared con toma de tierra. El enchufe con toma de tierra debe cumplir con todos los códigos y requisitos nacionales y locales. Nunca quite la clavija de toma de tierra de un enchufe. Debe utilizar el enchufe de tres clavijas que se suministra con la unidad de aire acondicionado.

### Pruebe el cable

Todas las unidades Friedrich de aire acondicionado vienen de fábrica con un cable con interruptor de detección de fugas de corriente (Leakage Current Detection Interrupter o LCDI), que cumple con los requisitos UL y NEC para unidades de aire acondicionado con enchufe, vigente a partir de agosto del 2004.

#### Para probar el cable de alimentación:

1. Conecte el cable de alimentación a un enchufe de tres clavijas con toma de tierra.
2. Pulse el botón RESET (vea la figura 2).
3. Pulse el botón TEST (debe escuchar un clic; el botón RESET se accionará y saltará).
4. Pulse y suelte RESET (debe escuchar un clic; el botón RESET se anclará y quedará pulsado). El cable de alimentación ya está listo para su uso.

#### NOTA: El dispositivo LCDI no se debe usar como interruptor.

Cuando enchufe la unidad funcionará normalmente sin tener que volver a restablecerlo.

Si el dispositivo no salta al probarlo, el cable está dañado y debe cambiarlo por otro cable del fabricante. Recomendamos que se ponga en contacto con nuestra Línea de asistencia técnica, llamando al (800) 541-6645, extensión 845. Para que le atiendan más rápidamente, tenga a mano el modelo y el número de serie.

MODELO	CIRCUITO O FUSIBLE DE RELEVO:		ENCHUFE DE PARED
	AMP	VOLT	NÚM. NEMA
XQ05 • XQ06 XQ08 • XQ10 XQ12 • EQ08 YQ07	15	125	5-15R



Figura 1

## ADVERTENCIA

### Peligro de choque eléctrico

Asegúrese de que su receptáculo eléctrico cuente con la misma configuración que el enchufe de su aire acondicionado. Si es diferente, consulte con un electricista certificado.

No use adaptadores para el enchufe.  
No utilice cables de extensión.  
No retire el contacto a tierra.



Siempre conéctelo a un tomacorriente trifásico con contacto a tierra. No seguir estas instrucciones puede ocasionar la muerte, un incendio o un choque eléctrico.

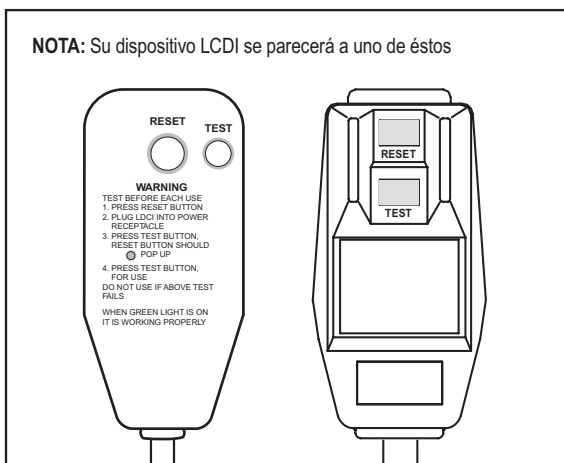


Figura 2

## Para obtener el mejor rendimiento y el consumo más eficaz del aire acondicionado

### Mantenga limpio el filtro

Asegúrese de que su aire acondicionado funcione siempre al máximo limpiando el filtro regularmente. En la página 17 encontrará las instrucciones sobre cómo quitar y limpiar el filtro.

### Tenga buena ventilación

Asegúrese que la unidad tenga buena ventilación de entrada y salida. La unidad manda el aire acondicionado a la parte de arriba y recibe el aire no tratado por la parte de abajo. Para funcionar bien es necesario que tenga buena ventilación. También es importante que la ventilación de la unidad no esté bloqueada en la parte exterior del edificio.

### Instalación de la unidad

Se puede instalar en una ventana o en una pared, a la sombra de un árbol o de otro edificio para que funcione con mayor eficacia. También ayuda utilizar persianas en la parte soleada de la vivienda para aumentar su eficacia.

### Aislamiento

Un buen aislamiento ayuda a mantener los niveles deseables de comodidad. Las puertas deben llevar burletes de aislamiento. Utilice sellador en las juntas de las puertas y ventanas.

### Correcta instalación de la junta de sello

Asegúrese de instalar correctamente la junta selladora para reducir el nivel de ruido y mejorar la eficacia de la unidad. Si no está instalada, consulte las instrucciones de instalación de la página 20.

# Funcionamiento del aire acondicionado Friedrich (Modelos XQ)

## Puesta en marcha

Si el aire está instalado y enchufado en el enchufe correcto, está listo para ponerse en marcha. La primera vez que utilice la unidad, el compresor tardará tres minutos en ponerse en marcha. Consulte la sección de "Protección automática de los componentes" en la página siguiente.

- 1 Pulse una vez el botón **Power** (Encendido). La unidad se enciende automáticamente en COOL a una temperatura de 24°C (75°F), a velocidad F1 y en modo de noche.

## Configuración del modo de funcionamiento

Cuando se pone en marcha la unidad por primera vez, está en modo **Cool** (luz encendida), con ventilador constante.

- 2 Pulse una vez el botón Mode (Modo) para activar **MoneySaver®** (luz encendida).

**MoneySaver®** es una función que hace circular el aire del ventilador con el compresor para que el ventilador no esté en funcionamiento constante. Esto ahorra energía y mejora la deshumidificación. Si lo prefiere, puede utilizar ventilador constante para que haya más corriente de aire (para volver a ventilador constante, pulse otras dos veces el botón Mode).

Haga lo siguiente para que el ventilador funcione solo.

- 3 En modo **MoneySaver®** (luz encendida), pulse una vez el botón Mode para activar la función FAN ONLY (la luz encendida).

**Fan Only** hace que circule el aire de la habitación sin que se encienda el compresor.

## Para ajustar la temperatura

- 4 Pulse **Mode** (Modo) para seleccionar **Cool** (FRÍO) o **MoneySaver®**.
- 5 **MÁS FRÍO** – Pulse el botón **✓** para bajar la temperatura de la habitación.
- 6 **MÁS CALOR** – Pulse el botón **▲** para subir la temperatura de la habitación.
- 7 Pulse **✓** y **▲** a la vez para cambiar la lectura de la temperatura de Fahrenheit (°F) a Celsius (°C).

Repita el paso 7 para pasar para volver de °C a °F.

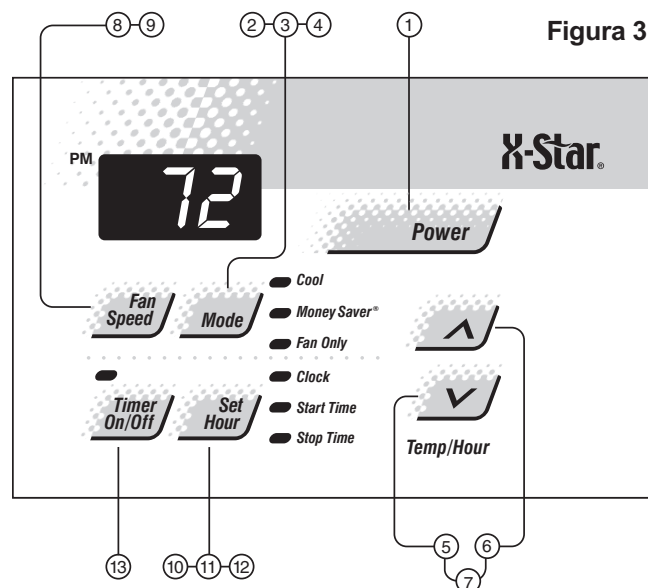
## Para ajustar la velocidad del ventilador

- 8 Pulse **Fan Speed** (Velocidad del ventilador) para ver el ajuste actual. Pulse otra vez para cambiar la velocidad. F1 es la velocidad inferior de noche (SLEEP SETTING/LOW), F2 es media (MEDIUM) y F3 es alta (HIGH).

## Para activar el ventilador inteligente (Smart Fan)

- 9 Cuenta con una cuarta opción, SF, al seleccionar la velocidad del ventilador, es la función **SMART FAN**. SMART FAN NO FUNCIONA EN EL **Modo DE Fan Only**.

Smart Fan ajustará automáticamente la velocidad del ventilador al nivel de comodidad deseado. Por ejemplo, si las puertas de la casa están abiertas durante mucho rato, o hay mucha gente en la habitación, Smart Fan puede ajustar la velocidad a una velocidad superior para compensar la subida de la temperatura. Así no hace falta que usted ajuste la velocidad del ventilador.



## Para programar el reloj

- 10 Pulse **Set Hour** (Hora) una vez para ver la hora (se enciende la luz del reloj). La hora que aparece es la hora aproximada (sólo la hora). Pulse **✓** y **▲** para ajustar la hora. ASEGÚRESE DE INDICAR CORRECTAMENTE A.M. o P.M. (Cuando es P.M. se enciende una luz roja en la esquina superior izquierda de la pantalla).

## Para programar el temporizador

**NOTA:** Programe la hora antes de ajustar el temporizador.

Puede marcar la hora de encendido (START) y la hora de apagado (STOP) con una hora de diferencia como mínimo y veintitrés horas de diferencia como máximo.

- 11 Cuando termine de programar la hora, pulse una vez **Set Hour** (se encenderá la luz de Start). Pulse **✓** y **▲** para seleccionar a qué hora desea que se encienda la unidad.
- 12 Cuando seleccione la hora de inicio (START), pulse otra vez Set Hour (se encenderá la luz de Stop). Pulse **✓** y **▲** para seleccionar a qué hora desea que se apague la unidad. Cuando seleccione la hora de apagado, pulse otra vez el botón Set Hour.
- 13 Pulse el botón **Timer On/Off** (TEMPORIZADOR ON/OFF) para activar el temporizador (se enciende la luz). Vuelva a pulsar **Timer On/Off** para desactivarlo (se apaga la luz). Al seleccionar la hora de inicio y de apagado, quedan programadas en la memoria para cada día hasta que se cambien.

**NOTA:** Si se desconecta la unidad o se va la corriente, debe volver a programar la hora para que funcione el temporizador.

## Protección automática de los componentes

La unidad dispone de protección automática de los componentes. Para proteger el compresor de la caja hay tres minutos de retraso cuando se apaga la caja o se corta la corriente. No afecta al ventilador. El compresor también tarda tres minutos en encenderse cuando pasa de **Cool** a **Fan Only** y viceversa.



# Cómo utilizar el mando a distancia

## Puesta en marcha

- 1 **POWER** - Pulse una vez el botón **Power**. La unidad se encenderá automáticamente con el modo y velocidad del ventilador en que estaba cuando se apagó.

## Configuración del modo de funcionamiento

- 2 **COOL** - Pulse el botón **Cool** (Frío) para cambiar automáticamente a COOL.
- 3 **FAN ONLY** - Pulse el botón **Fan Only** si sólo quiere que funcione el ventilador.
- 4 **MoneySaver®** - Pulse el botón **MoneySaver®** para activar la función de MoneySaver®. De esta manera se pone en marcha el ventilador con el compresor para que el ventilador no esté en funcionamiento constante.

## Para ajustar la temperatura

- 5 **WARMER** - Pulse el botón **Warmer** para subir la temperatura.
- 6 **COOLER** - Pulse el botón **Cooler** para bajar la temperatura.

## Para ajustar la velocidad del ventilador

- 7 **FAN SPEED** - Pulse el botón Fan Speed para ver el ajuste actual. Pulse otra vez para cambiar la velocidad. F1 es la velocidad inferior de noche (SLEEP/LOW), F2 es media (MEDIUM), F3 es alta (HIGH) y SF es SMART FAN.

## Para programar el reloj

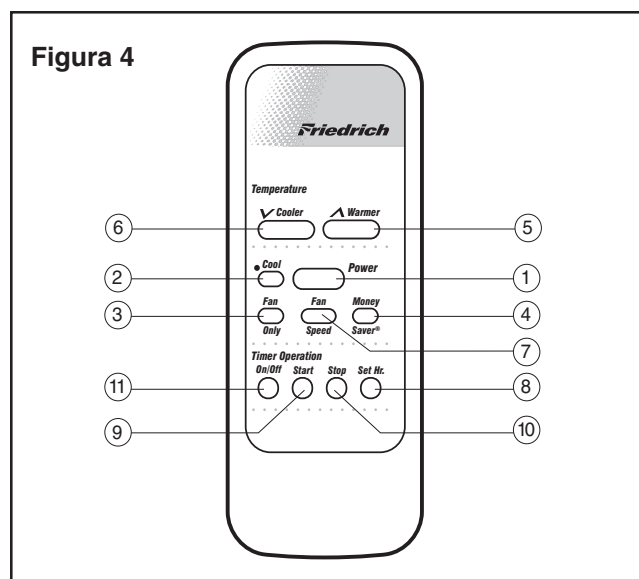
- 8 **SET HOUR CLOCK** - Pulse una vez Set Hour para ver la hora. Siga pulsando el botón hasta que aparezca en la pantalla la hora real (sólo se ve la hora). No se indican los minutos. Asegúrese de indicar correctamente A.M. o P.M.

## Para programar el temporizador

**NOTA:** Puede marcar la hora de encendido (START) y la hora de apagado (STOP) con una hora de diferencia como mínimo y veintitrés horas de diferencia como máximo.

- 9 **TIMER START** - Pulse **Start** para ver a qué hora debe empezar a enfriar. Siga pulsando hasta que aparezca en la pantalla la hora en la que quiere que se encienda. Así se indica a qué hora quiere que comience enfriar.
- 10 **TIMER STOP** - Pulse el botón **Stop** y siga pulsando hasta que la hora en que usted quiere que se apague la unidad aparezca en la pantalla. Así se indica a qué hora quiere que deje de enfriar.
- 11 **TIMER ON/OFF** - Pulse una vez el botón **On/Off** para activar (se enciende la luz) o desactivar (se apaga la luz) el temporizador. Al seleccionar el tiempo de inicio y de apagado, quedan programados en la memoria para cada día hasta que se cambien.

**NOTA:** Si se desconecta la unidad o se va la corriente, debe volver a programar la hora para que funcione el TEMPORIZADOR.



Puede comprar otros mandos a distancia inalámbricos RC1 en el distribuidor de Friedrich.

# Funcionamiento del aire acondicionado Friedrich (Modelos YQ07 / EQ08)

## Modelo YQ07

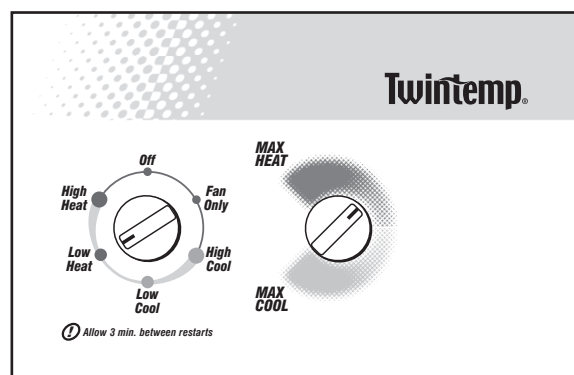
Este producto está diseñado para utilizarlo en zonas de clima más templado, por lo que no cuenta con calentador eléctrico y no calienta bien por debajo de los 37°F (3°C).

## Control de las funciones

El mando de la izquierda tiene seis posiciones y permite seleccionar frío o calor a velocidad alta o baja. También puede seleccionar sólo ventilador.

## Control de la temperatura

El mando de la derecha es el termostato – gírelo en el sentido de las agujas del reloj para bajar la temperatura y en sentido contrario para subirla (véase la figura 5).



**Figura 5**

# Cuidado y mantenimiento

## Cómo quitar el filtro

Apague la unidad y saque el filtro estirando hacia arriba y hacia usted (véase la figura 6). Límpielo con agua caliente y un detergente suave, enjuáguelo y séquelo y vuelva a ponerlo en su sitio detrás del panel frontal.

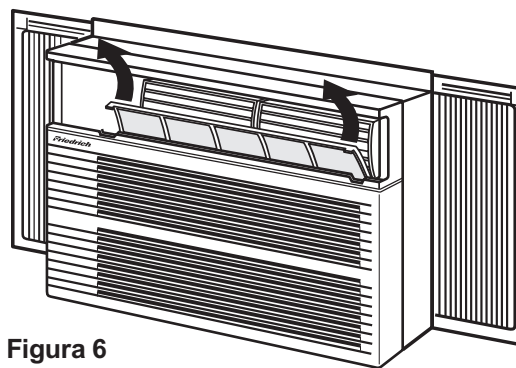


Figura 6

## Instrucciones de instalación

**NOTA:** Este manual incluye instrucciones de instalación para montarlo en ventanas o en la pared. Los modelos TwinTemp® de aire frío/aire caliente son de instalación de pared. Para montar la unidad en una ventana requiere un kit accesorio especial de montaje, que puede comprar en su distribuidor Friedrich.

### ⚠ ADVERTENCIA

#### Peligro de choque eléctrico

Asegúrese de que su receptáculo eléctrico cuente con la misma configuración que el enchufe de su aire acondicionado. Si es diferente, consulte con un electricista certificado.

No use adaptadores para el enchufe.  
No utilice cables de extensión.  
No retire el contacto a tierra.



Siempre conéctelo a un tomacorriente trifásico con contacto a tierra. No seguir estas instrucciones puede ocasionar la muerte, un incendio o un choque eléctrico.

**PROTECCIÓN DEL CIRCUITO** – La sobrecarga del circuito causará el malfuncionamiento de la unidad por lo que es necesario contar con la protección eléctrica adecuada. Todos los modelos de chasis portátil necesitan un fusible o un interruptor de circuito de 15 amperios para proteger en caso de sobrecarga. Por la demanda temporal de alta corriente, cuando se pone en marcha el aire acondicionado, use un fusible de retraso “TIME DELAY” o un interruptor de tipo HACR. En caso de duda consulte con su distribuidor o con la compañía eléctrica.

Debe conectar la unidad a una fuente de alimentación del voltaje y hertzios de C.A. que se indican en la placa de información del chasis. Sólo puede utilizar corriente alterna (C.A.). No puede usar corriente continua (C.C.).

El cable tiene un enchufe con clavija de toma de tierra y debe enchufarse en un enchufe del mismo tipo. Consulte la página 14 para ver si su modelo utiliza el enchufe apropiado.

**ADVERTENCIA: NUNCA quite la clavija de toma de tierra de un enchufe ni utilice un alargador con la unidad de aire acondicionado.**

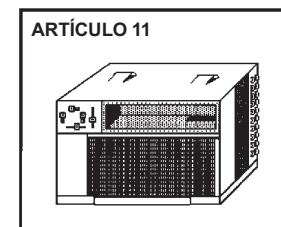
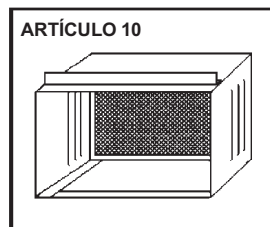
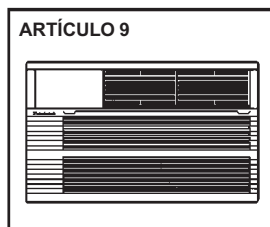
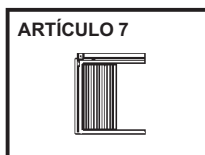
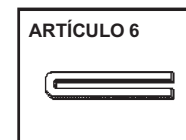
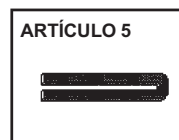
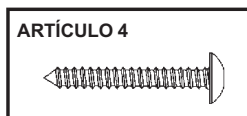
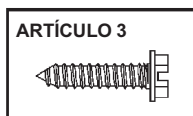
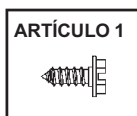
## ¡Lea esto primero! Requisitos de electricidad

**IMPORTANTE:** Antes de instalar la unidad, compruebe los códigos y la información que sigue. Consulte con un electricista profesional para asegurarse que los cables respeten los códigos locales.

## Materiales que necesita para la instalación (sólo para unidades verticales)

Artículo	DESCRIPCIÓN	Cantidad
1	TORNILLOS PARA CHAPA DE METAL TIPO 8 x 3/8 pulg.	8
2	TORNILLOS PHILLIPS TRUSS TIPO 8 x 1/2 pulg.	4
3	TORNILLOS HEXAGONALES TIPO 8 x 7/8 pulg.	10
4	TORNILLOS PHILLIPS TRUSS TIPO 8 x 1/4 pulg.	2
5	GOMAESPUMA GRIS 1 x 1 1/2 x 42 pulg.	1
6	GOMAESPUMA BLANCA 1 x 1 1/2 x 48 pulg.	1

Artículo	DESCRIPCIÓN	Cantidad
7	ACOPLE PARA LA PERSIANA IZQUIERDA	1
8	ACOPLE PARA LA PERSIANA DERECHA	1
9	PANEL DECORATIVO FRONTAL	1
10	CAJA O FUNDA	1
11	UNIDAD DE AIRE ACONDICIONADO	1



# Instalación de ventana

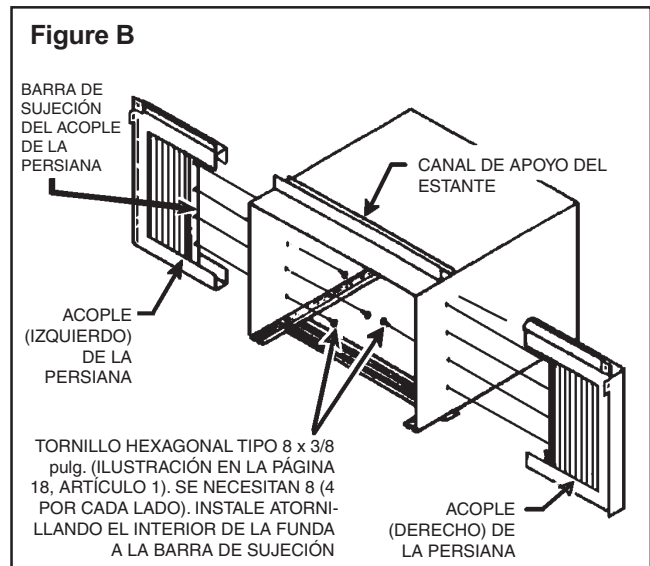
**⚠ ADVERTENCIA**

**Peligro de caída de objetos**

No seguir las instrucciones de instalación para montar su aire acondicionado puede ocasionar daños a la propiedad, lesiones físicas o la muerte.



- PASO 1** Cuando saque la unidad de la caja de embalaje, quite la cinta adhesiva que sujeta la parte frontal. Deje la parte frontal en un sitio seguro y deslice el chasis de la caja (véase la figura A).
- PASO 2** Instale los acoples de persiana a la caja, como se muestra en la figura B. Use ocho (8) tornillos hexagonales tipo 8 x 3/8 pulg. (artículo 1 de la página 18).
- PASO 3** Centre la caja en el canal de la repisa de la ventana contra la ventana, como se ve en la figura C, sección A-A.
- PASO 4** Baje el marco de la ventana hasta que quede por detrás del canal de soporte del estante en la parte superior de la caja. Esto ayuda a que se quede fijo. Atornille con el tornillo hexagonal tipo 8 x 7/8 pulg. (artículo 3 de la página 18) para sujetar el canal de la repisa en la parte inferior de la abertura de la ventana, como se ve en la figura C.
- PASO 5** Extienda las persianas de cada lado hasta que encajen en el canal de la ventana. Sujete las persianas y marque cuatro (4) agujeros (los agujeros están en las esquinas superiores izquierda y derecha de las persianas, dos (2) en marco fijo de la ventana y dos (2) en el marco corredizo de la ventana. Aparte las persianas y perfore cuatro (4) agujeros piloto de 7/64 pulg. de diámetro. Vuelva a desplegar las persianas y sujételas al marco de la persiana con dos tornillos (2) hexagonales Phillips tipo 8 x 1/2 pulg. (artículo 2 de la página 18) y dos tornillos (2) hexagonales Phillips tipo 8 x 1/4 pulg. (artículo 4), como se ve en la figura C.



**⚠ PRECAUCIÓN**

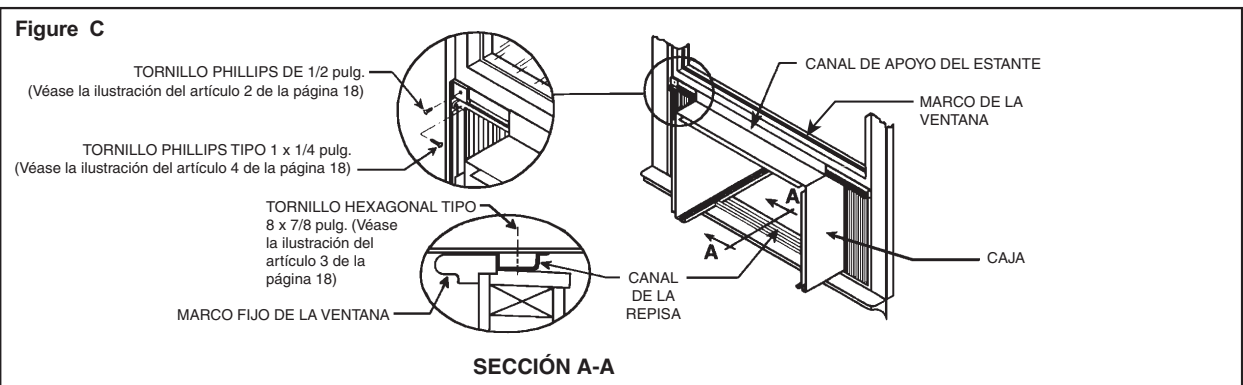
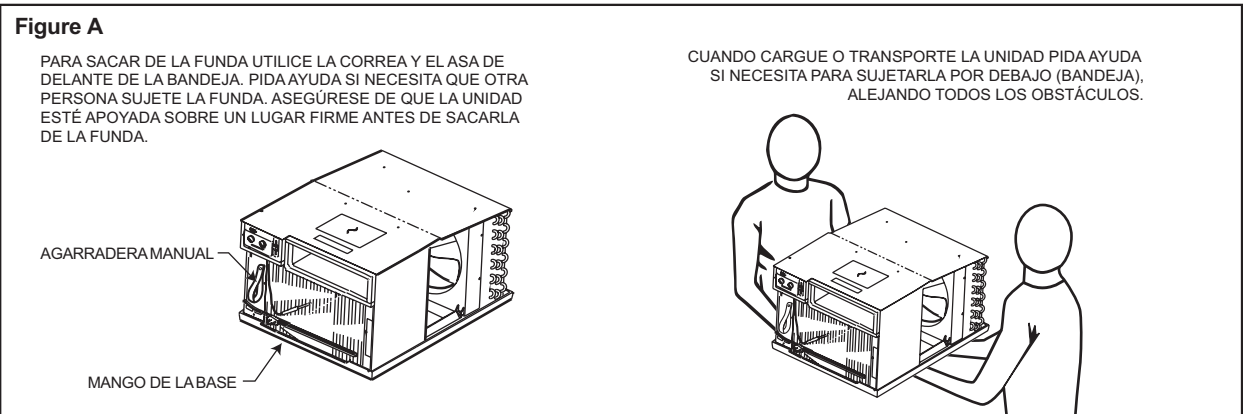
**Peligro de peso excesivo**

Pida la ayuda de dos o más personas al instalar su aire acondicionado. No hacerlo puede provocar lesiones en la espalda o en otras partes del cuerpo.

**⚠ PRECAUCIÓN**

**Riesgos de cortadas/amputaciones**

Aunque se ha tenido mucho cuidado para minimizar los bordes filosos en la construcción de su unidad, utilice guantes u otro tipo de protección para las manos al manejar la unidad. No hacerlo puede ocasionar lesiones físicas de leves a moderadas.



**PASO 6** Inspeccione la unidad antes de meterla en la funda. Debe rotar manualmente el ventilador y la rueda del extractor para asegurarse de que no estén obstruidas. Asegúrese de apartar el cable al meter la unidad en la funda.

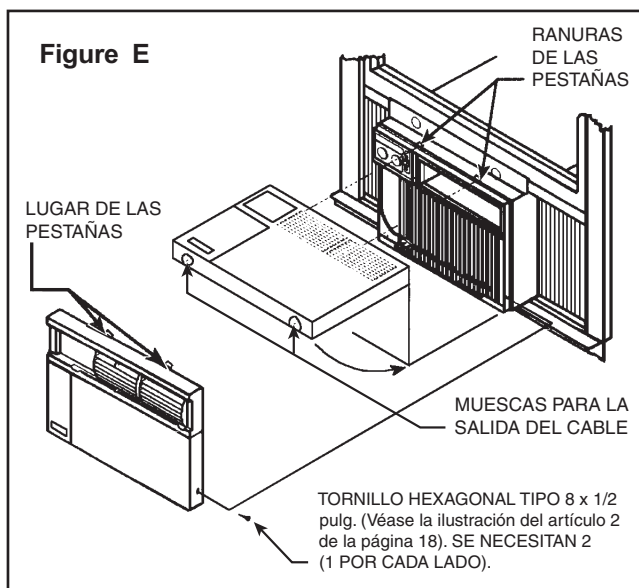
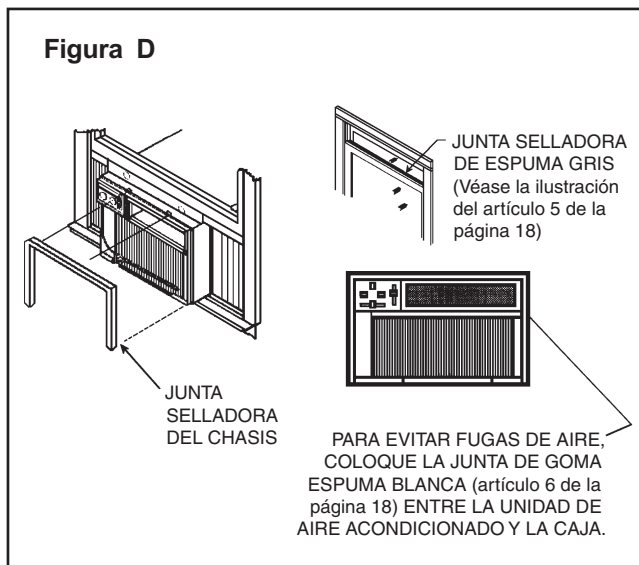
NOTA: Por motivos de seguridad, NO enchufe el cable hasta que termine de instalar la unidad.

**PASO 7** Si la unidad se ve bien, puede ponerla en su sitio en los rieles inferiores de la caja y empujar hasta el fondo.

NOTA: Para levantar la unidad sujétela siempre por la bandeja inferior y pida ayuda si es necesario (véase la figura A).

**PASO 8** Coloque la goma espuma blanca del chasis (artículo 6 de la página 18) y la goma espuma gris de la ventana (artículo 5). Coloque con cuidado la goma espuma blanca (artículo 6) entre el chasis y la caja, empezando por una esquina y subiendo hasta arriba hasta dar toda la vuelta. Coloque la goma espuma gris (artículo 5) entre los marcos de la ventana como se ve en la figura D. Si no instala el sellador del chasis, la unidad no funcionará correctamente, hará más ruido al funcionar y amplificará el sonido procedente de fuera.

**PASO 9** Sujete el panel frontal decorativo como se ve en la figura E. Inserte las dos pestañas del panel en las ranuras de la parte superior de la caja y baje el panel hasta el fondo de la caja. Ponga el cable eléctrico a la izquierda o a la derecha según donde esté el enchufe de la pared. Use los sujetadores de la parte inferior del panel frontal para sujetar el cable. Ponga el panel frontal de la caja con dos (2) tornillos Phillips tipo 8 x 1/2 pulg. (artículo 2 de la página 18).



**⚠ ADVERTENCIA**

**Peligro de choque eléctrico**  
**Desconecte la unidad antes de darle mantenimiento. No seguir estas instrucciones puede ocasionar la muerte, un incendio o un choque eléctrico.**

**PASO 10 PROTECCIÓN DEL CIRCUITO** – Si la unidad tiene protección del circuito use un fusible de relevo (“TIME DELAY”) o un interruptor tipo HACR para la subida temporal de la corriente al conectar la unidad. Antes de poner en marcha la unidad consulte los amperios que necesita el fusible o el interruptor de su modelo. Debe ser de 15 amperios. Consulte la sección de “Funcionamiento” para instrucciones más detalladas de funcionamiento.

**⚠ PRECAUCIÓN**

**Peligro de peso excesivo**  
 Pida la ayuda de dos o más personas al instalar su aire acondicionado.  
 No hacerlo puede provocar lesiones en la espalda o en otras partes del cuerpo.

**⚠ ADVERTENCIA**

**Peligro de objetos en movimiento**  
 Cambie todos los paneles antes de operar su aire acondicionado.  
 No hacerlo puede provocar lesiones.

# Instalación de pared

**⚠ ADVERTENCIA**

**Peligro de caída de objetos**

No seguir las instrucciones de instalación para montar su aire acondicionado puede ocasionar daños a la propiedad, lesiones físicas o la muerte.



**PASO 1** Cuando saque la unidad de la caja de embalaje, quite la cinta adhesiva que sujeta la parte frontal. Deje la parte frontal en un sitio seguro y deslice el chasis de la caja (véase la figura A de la página 19).

**PASO 2** Quite el canal de la carcasa de la parte superior de la caja (véase la figura B de la página 19).

NOTE: No corresponde a los modelos de bomba de calor que se venden sin caja de montaje rápido.

**PASO 3** PREPARACIÓN – Corte y enmarque una abertura en la zona de la pared que desee, como indica la ilustración (véase la figura F).

**PASO 4** Coloque la caja en la abertura enmarcada.

NOTE: Mida y rellene los espacios vacíos entre el lado de la caja y el marco de Madera antes de fijarlo en su sitio.

**PASO 5** Coloque el borde frontal sobresalido con un espacio mínimo de 3/4 pulg. en la parte superior de la caja y 1 pulg. en la parte inferior (véase la figura G).

**PASO 6** Coloque la caja en su sitio sujetando los lados con clavos o con tornillos hexagonales tipo 8 x 7/8 pulg. (artículo 3 de la página 18).

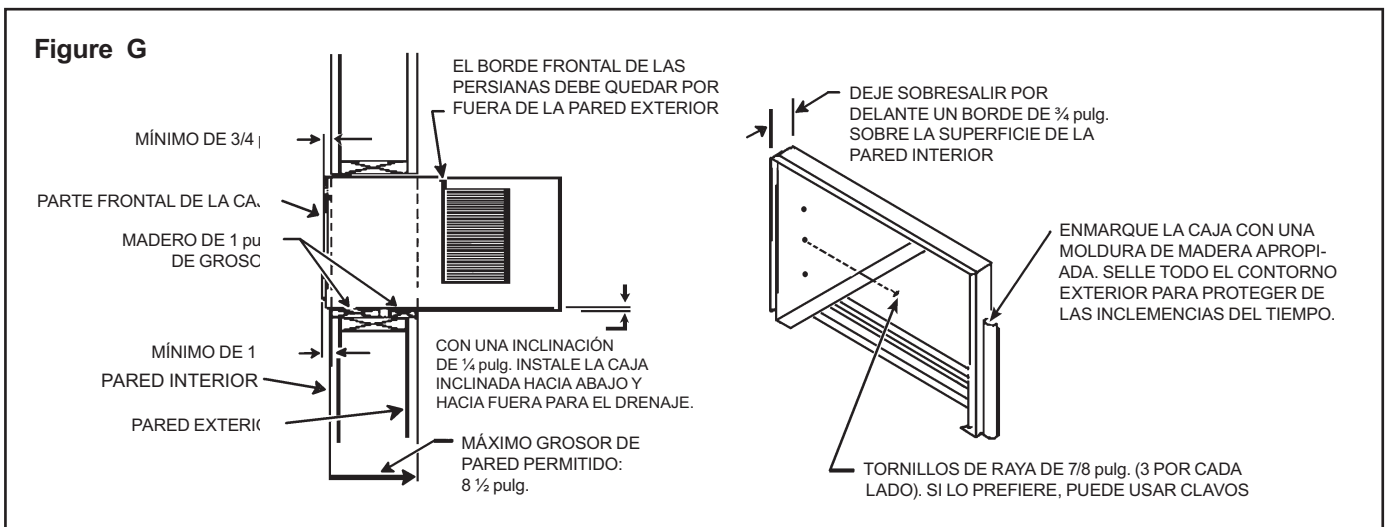
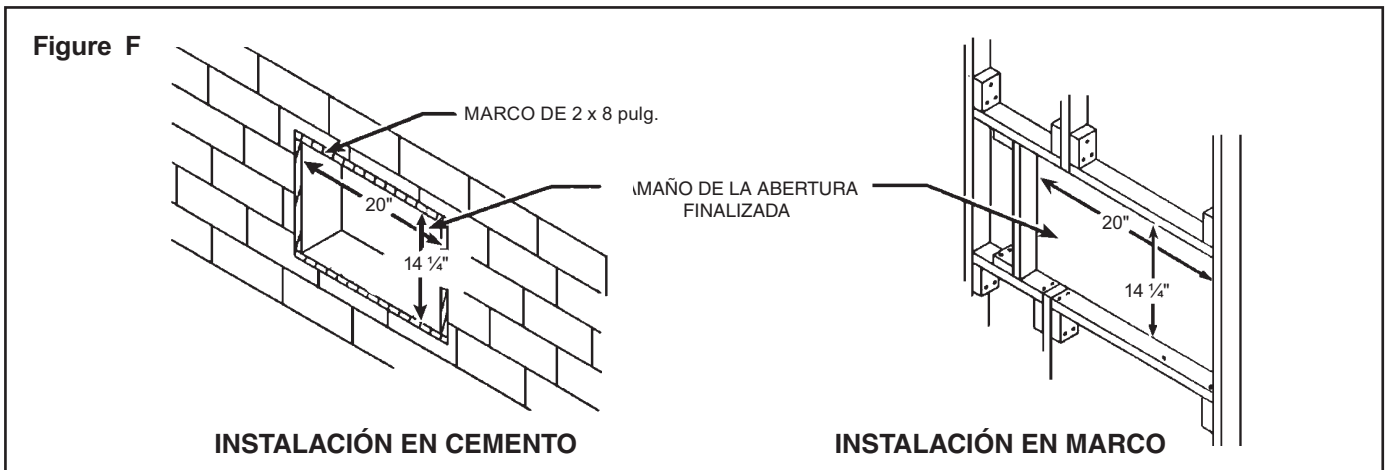
**NOTA:** PUEDE UTILIZAR OTROS TORNILLOS PARA SUJETAR LA CAJA A LA PARED, INCLUSO EN PAREDES DE MAMPOSTERÍA, QUE NO SE SUMINISTRAN CON LA UNIDAD (PUEDEN COMPRARSE EN CUALQUIER FERRETERÍA).



PERNO FLEXIBLE



PERNO DE EXPANSIÓN DE SUJECCIÓN



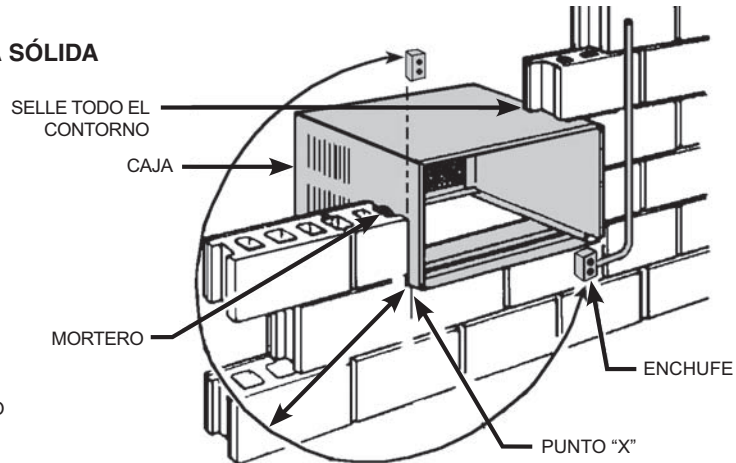
**PASO 7** Corte dos maderos de 1 pulgada (suministrados por el instalador) del ancho y largo que necesite. Colóquelos delante y detrás del canal inferior de la repisa como se ve en la figura G. Sujételos con clavos (suministrados por el instalador).

**PASO 8** Selle todos los agujeros de la caja con el sellador (suministrado por el instalador).

**PASO 9** Complete la instalación siguiendo los PASOS 6 a 10 de las instrucciones de instalación en ventana (página 20). No necesitará la junta selladora de la ventana mencionada en el PASO 8.

**IMPORTANTE:** Lea el PASO 10 antes de poner en marcha la unidad.

**Figure H**  
**INSTALACIÓN EN MAMPOSTERÍA SÓLIDA**



**NOTA:** EL ENCHUFE ELÉCTRICO DEL PUNTO "X" DEBE ESTAR A UN RADIO MÁXIMO DE 69 pulg. EN LAS UNIDADES DE 115V.

## Consejos para solucionar problemas

### Fallo de la corriente

Si se va la corriente, la función de reinicio automático hará que la unidad continúe funcionando en el mismo modo en que estaba funcionando antes de que se fuera la corriente.

### ¿No enfría?

Si funciona pero no enfría, mire si los controles están bien ajustados. Limpie el filtro detalladamente si es necesario. Compruebe si está cerrada la puerta de ventilación. Compruebe si está instalada la junta selladora del chasis (consulte las instrucciones de instalación, paso 8, página 20).

### ¿No funciona?

Asegúrese de que está bien enchufado. Compruebe si tiene algún fusible defectuoso o si ha saltado el interruptor o el dispositivo LCDI. Consulte las instrucciones de la página 15 para restablecer el dispositivo LCDI y para ver si los fusibles son del tamaño apropiado.

#### Sólo para los modelos X-Star:

*Puede restablecer el circuito pulsando a la vez los botones "Mode" y "Temperature Down". Comenzarán a parpadear los indicadores luminosos LED (las lucecitas rojas) de Hour, Start y Stop. Cuando pase eso, apague la unidad con el botón On/Off y desenchúfelo. Vuelva a enchufarlo y a encenderlo con el botón On/Off. La unidad volverá a los ajustes de fábrica.*

### Es una unidad para climas templados

Esta unidad de aire acondicionado sirve para enfriar en climas templados con temperaturas exteriores por encima de los 16°C (60°F). Tampoco funcionará bien si la temperatura exterior está por debajo de los 3°C (37°F).

### La condensación es normal

Normalmente, las unidades de aire acondicionado expulsan el calor y la humedad de la habitación al exterior. La humedad se convierte en agua y la unidad utilice la mayor parte del agua para mantener fría la bobina exterior. Si hace demasiada humedad puede gotear agua por fuera. Esto es normal.

### Escarcha

Se produce normalmente porque no hay suficiente corriente de aire en las bobinas, el filtro está sucio, hace humedad y frío o todas estas cosas juntas. Si ajusta la unidad a Fan Only desaparecerá la escarcha. Subir un poco el termostato puede ayudar a prevenir que se vuelva a formar escarcha.

### Ruido

Todas las unidades de aire acondicionado hacen un poco de ruido. Las unidades QuietMaster® son de un diseño muy silencioso. Las unidades instaladas en pared son más silenciosas que las de instalación de ventana. Es importante que la junta selladora del chasis esté bien instalada (consulte las instrucciones de instalación, paso 8 de la página 20).

### Limpieza de la unidad de aire acondicionado

Puede limpiar la parte frontal decorativa y la caja con agua caliente y un detergente líquido suave. La bobina interior se puede aspirar con la aspiradora. La bobina exterior se puede rociar con una manguera, pero si no tiene acceso al exterior, llame al distribuidor para una limpieza más a fondo cuando sea necesaria. Debe inspeccionar el filtro todas las semanas y limpiarlo si hace falta con la aspiradora o en la pila, con agua caliente y un detergente líquido suave. Seque completamente el filtro antes de volver a colocarlo en su sitio. Colóquelo con cuidado porque la superficie es cortante.

### Las bombas de calor funcionan de varias maneras

Si su unidad es de tipo "Y" o de bomba de calor, necesita saber varias cosas.

Algunas de las funciones de la bomba de calor actúan de otra manera cuando la unidad se utilice para calentar:

1. Es normal que se forme hielo en la bobina exterior de la bomba de calor. La humedad del exterior al pasar por la bobina cuando hace mucho frío se convierte en hielo.
2. Si la temperatura exterior baja por debajo de los 3°C (37°F) la bomba de calor calienta automáticamente la resistencia eléctrica. Si la temperatura sube por encima de los 4°C (40°F), el compresor vuelve a poner en marcha la bomba de calor. Si su unidad es de 115 voltios (YQ07), es un modelo para climas templados y no tiene calefacción eléctrica y no calentará bien por debajo de los 3°C (37°F).

## ⚠ ADVERTENCIA



### Peligro de choque eléctrico

**Desconecte la energía eléctrica antes de dar mantenimiento.**

**Cambie todas las partes y paneles antes de operar.**

**No hacerlo puede resultar en la muerte o un choque eléctrico.**

## Accesorios disponibles

### Kits de instalación de ventana – modelos de bomba de calor

Los modelos de bomba de calor de Friedrich normalmente se instalan en pared y se venden sin los acoples de las persianas. Puede comprar el kit accesorio de cortinas WIKQ para instalar en ventana. Puede hacer el pedido a su distribuidor Friedrich. Cuando pida un kit, indique el modelo y el número de serie de su unidad.



**Friedrich Air Conditioning Company**

P.O. Box 1540  
San Antonio, TX 78295  
210.357.4400  
www.friedrich.com

## GARANTÍA LIMITADA PARA UNIDADES DE AIRE ACONDICIONADO DE TIPO VENTANA

### EL PRIMER AÑO

**TODAS LAS PARTES:** Si falla cualquier componente de FRIEDRICH por defecto de fabricación o de material en los primeros doce meses a partir de la fecha de compra, FRIEDRICH reparará el producto gratuitamente si el acceso a la unidad es razonable. El propietario será responsable de los gastos adicionales por la extracción de partes inaccesibles y gastos de viaje si el trayecto de ida de la compañía de reparaciones es superior a los 46 kilómetros. Éste es el único remedio explícitamente acordado para los primeros doce meses a partir de la fecha original de compra.

### DEL SEGUNDO AL QUINTO AÑO

**SISTEMA SELLADO DE REFRIGERACIÓN:** Si falla el sistema sellado de refrigeración (a estos efectos comprende el compresor, la bobina del condensador, la bobina del evaporador, la válvula de inversión, los capilares, el secador del filtro y todas las tuberías de conexión) suministrado por FRIEDRICH por defecto de fabricación o de material en el período de sesenta meses a partir de la fecha de compra, FRIEDRICH pagará una parte de los gastos de trabajo y los componentes necesarios para reparar el sistema. FRIEDRICH no se hace responsable de los gastos de diagnóstico, extracción, carga, transporte del lugar donde está instalado al centro de reparación, ni reinstalación de la unidad. Estos gastos son responsabilidad del propietario. Éste es el único remedio explícitamente acordado para los primeros sesenta meses a partir de la fecha original de compra.

**APLICABILIDAD Y RESTRICCIONES:** Estas garantías sólo tendrán vigencia mientras la unidad permanezca en los cincuenta estados de los Estados Unidos, el Distrito de Colombia y Canadá. La garantía excluye:

1. Filtros de aire o fusibles.
2. Productos sin el número de serie o modelo.
3. Productos defectuosos o dañados como resultado de la instalación incorrecta o el uso incorrecto de cables o corriente eléctrica, o mantenimiento inadecuado, o de accidentes, uso o abuso indebido, incendios, inundaciones, alteraciones o aplicaciones incorrectas del producto, y/o unidades instaladas en atmósferas corrosivas, fallos o retrasos de funcionamiento por casos de Guerra, restricciones de gobierno, huelgas, escasez de materiales fuera del control de FRIEDRICH, o actos de fuerza mayor.

**PARA OBTENER SERVICIOS BAJO GARANTÍA:** Recibirá servicio de la **organización de servicio o el distribuidor autorizado por FRIEDRICH** en su zona. Puede encontrar esta información en las páginas amarillas. Si necesita ayuda para obtener servicios bajo garantía, escriba a: Room Air Conditioner Service Manager, Friedrich Air Conditioning Co., P.O. Box 1540, San Antonio, TX 78295-1540.

**LIMITACIONES: ESTA GARANTÍA SUPERSEDE TODAS LAS DEMÁS. LAS GARANTÍAS IMPLÍCITAS DE BUEN FUNCIONAMIENTO PARA PROPÓSITOS ESPECIALES Y/O MERCANCÍA SE LIMITAN A LA DURACIÓN DE ESTA GARANTÍA EXPLÍCITA. EL FABRICANTE DECLINA EXPLÍCITAMENTE LA RESPONSABILIDAD DE LOS DAÑOS CONSECUENTES O ACCIDENTALES QUE SE PRODUZCAN POR EL INCUMPLIMIENTO DE CUALQUIER GARANTÍA EXPLÍCITA O IMPLÍCITA.**

**NOTA:** Algunos estados no tienen limitaciones sobre la duración de garantías implícitas ni permiten limitar o excluir los daños consecuentes o accidentales, por lo que es posible que estas exclusiones y limitaciones no le afecten a usted.

**INFORMACIÓN ADICIONAL:** Esta garantía le da a usted derechos legales específicos. Puede que usted tenga otros derechos adicionales que varían de un estado a otro.

**PRUEBA DE COMPRA:** El propietario debe presentar prueba de compra para recibir servicio bajo garantía.

El consumidor es el único responsable de todas las llamadas de servicio para explicar el funcionamiento del producto.

Todos los servicios de garantía deben ser proporcionados por una **compañía de reparaciones autorizada por FRIEDRICH**, a menos que FRIEDRICH autorice las reparaciones con antelación.

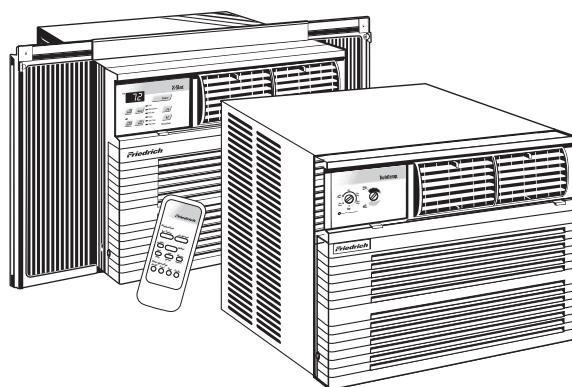


## Climatiseurs de fenêtre

### Modèles portatifs à châssis

**X-Star** XQ05, XQ06, XQ08, XQ10, XQ12

**Twintemp** EQ08, YQ07



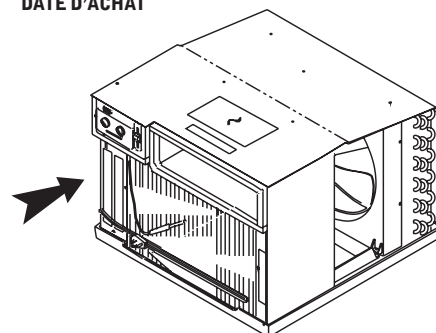
### Enregistrez votre climatiseur

Les renseignements sur le modèle se trouvent sur la plaque d'identification. Elle est située à l'avant de l'unité, du côté gauche, directement sous les commandes. Pour enregistrer votre climatiseur de fenêtre, remplissez et postez la fiche d'enregistrement ci-jointe ou effectuez l'enregistrement en ligne à [www.friedrich.com](http://www.friedrich.com) (É.-U. seulement). Pour votre commodité future, inscrivez les renseignements sur le modèle ici.

NUMÉRO DE MODÈLE

NUMÉRO DE SÉRIE

DATE D'ACHAT



# Félicitations !

Vous avez acheté ce qu'il y a de plus nouveau en matière de technologie de climatiseur de fenêtre. Votre nouveau climatiseur de fenêtre à rendement élevé de Friedrich vous donnera de nombreuses années de service fiable. De nombreuses fonctions supplémentaires sont intégrées à votre climatiseur Friedrich pour assurer un fonctionnement silencieux, la meilleure circulation d'air frais et sec, des commandes fonctionnelles et le fonctionnement le plus économique.

## Table des matières

### Fonctionnement du climatiseur

Votre sécurité et la sécurité des autres .....	26
Avant de faire fonctionner votre unité .....	27
Pour le meilleur rendement de refroidissement et le meilleur rendement énergétique .....	27

### Modèles XQ

Pour mettre l'unité en marche .....	28
Pour régler le mode de fonctionnement .....	28
Fonction MoneySaver® .....	28
Pour régler la température .....	28
Pour régler la vitesse du ventilateur .....	28
Pour activer SMART FAN .....	28
Pour régler l'horloge .....	28
Pour régler la minuterie .....	28
Protection automatique des composants .....	29
Comment utiliser la télécommande .....	29

### Modèles YQ/EQ

Contrôle de la température .....	30
Contrôle des fonctions .....	30

### Soin et entretien

Retirer et nettoyer le filtre .....	30
-------------------------------------	----

### Installation du climatiseur

Exigences électriques .....	31
Quincaillerie d'installation .....	31
Installations dans une fenêtre à guillotine .....	32
Installations encastrées dans le mur .....	34
Conseils de dépannage .....	36
Accessoires .....	36
Garantie .....	37

#### Votre sécurité et la sécurité des autres sont très importantes.

Nous avons délivré de nombreux messages de sécurité importants dans ce manuel et sur votre appareil. Lisez toujours et suivez tous les messages.



Ceci est un symbole d'alerte de sécurité.

Ce symbole vous alerte de dangers potentiels qui peuvent conduire à la mort ou vous blesser, vous et d'autres.

Tous les messages de sécurité suivront le symbole d'alerte de sécurité et soit le mot "AVERTISSEMENT" ou "ATTENTION". Ces mots signifient:

**AVERTISSEMENT**

Vous pouvez être tué ou blessé gravement si vous ne suivez pas les instructions.

**ATTENTION**

Vous pouvez vous blesser légèrement ou plus gravement si vous ne suivez pas les instructions.

Tous les messages de sécurité vous indiqueront qu'il y a un danger potentiel, et vous diront comment réduire le risque de blessure, ainsi que ce qui se passera si les instructions ne sont pas suivies.

**REMARQUE**

un message vous alertant de blessure potentielle s'appellera "NOTICE". Une blessure potentielle peut arriver si les instructions ne sont pas suivies.

## AVERTISSEMENT : Avant de faire fonctionner votre unité

### Assurez-vous que le câblage est adéquat pour votre unité

Si vous avez des fusibles, ils doivent être à fusion lente. Avant d'installer ou de déplacer cette unité, assurez-vous que l'intensité du courant électrique du disjoncteur ou du fusible à fusion lente n'excède pas l'intensité indiquée à la figure 1.

### N'utilisez PAS un cordon d'extension

Le cordon fourni alimentera l'unité correctement; un cordon d'extension ne le fera pas.

### Assurez-vous que la prise est compatible avec la fiche du cordon du climatiseur fourni.

Cela permet d'assurer une mise à la terre adéquate. Si vous avez une prise deux broches, vous devrez la faire remplacer par une prise mise à la terre par un électricien agréé. La prise mise à la terre doit répondre à toutes les ordonnances et tous les codes locaux et nationaux. Vous ne devez en aucun cas retirer la broche de mise à la terre de la fiche. Vous devez utiliser la fiche à trois broches fournie avec le climatiseur.

### Vérification du cordon d'alimentation

Tous les climatiseurs individuels Friedrich sont expédiés de l'usine avec un cordon d'alimentation muni d'un interrupteur de détection de fuite de courant (LCDI). Le dispositif LCDI répond aux exigences UL et NEC pour les cordons reliés à des climatiseurs en vigueur en août 2004.

#### Pour vérifier votre cordon d'alimentation :

1. Branchez le cordon d'alimentation dans une prise à trois broches mise à la terre.
2. Appuyez sur RESET (voir la figure 2).
3. Appuyez sur TEST (vous entendrez un clic; le bouton « Reset » se déclenche et sort).
4. Appuyez et relâchez RESET (vous entendrez un clic; le bouton « Reset » s'enclenche et demeure enfoncé). Le cordon d'alimentation est prêt à être utilisé.

**REMARQUE:** Le dispositif LCDI n'est pas conçu pour être utilisé comme interrupteur.

Une fois branchée, l'unité fonctionnera normalement sans devoir réinitialiser le dispositif LCDI. Si le dispositif ne s'enclenche pas lors de la vérification ou si le cordon d'alimentation est endommagé, il doit être remplacé par un nouveau cordon d'alimentation du fabricant. Nous vous recommandons de communiquer avec la Ligne d'assistance technique en composant (800) 541-6645 poste 845. Pour accélérer le service, veuillez avoir vos numéros de modèle et de série à la portée de la main.


MODÈLE	PUISSANCE DU CIRCUIT OU FUSIBLE À FUSION LENTE		ENCHUFE DE PARED	
	AMP	VOLT	N° NEMA	
XQ05 • XQ06 XQ08 • XQ10 XQ12 • EQ08 YQ07	15	125	5-15R	

Figure 1

**⚠ AVERTISSEMENT**

**DANGER D'ELECTROCHOC**

**Assurez-vous que la prise électrique soit la même que la prise de votre climatiseur. S'il y a une différence consultez votre électricien.**

**N'utilisez pas d'adaptateur de prise.  
N'utilisez pas de rallonge.**

**Ne retirez pas la fiche de mise à la terre  
Branchez toujours dans une prise à trois.**

**Ne pas suivre ces instructions peut provoquer la mort, un incendie, ou un électrochoc.**



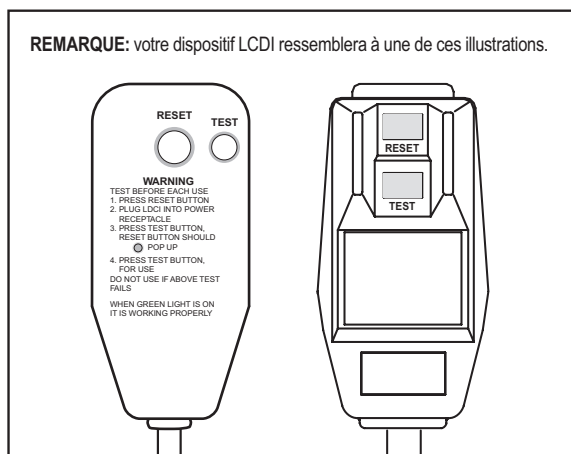


Figure 2

## Pour le meilleur rendement de refroidissement et le meilleur rendement énergétique

### Garder le filtre propre

Assurez-vous que votre climatiseur est toujours dans son meilleur état de rendement en nettoyant le filtre régulièrement. Les directives pour retirer et nettoyer le filtre se trouvent à la page 28.

### Fournir un bon débit d'air

Assurez-vous que la voie de circulation d'air vers et en provenance de l'unité est dégagée. Votre climatiseur diffuse de l'air climatisé dans la partie supérieure de votre unité et admet de l'air non climatisé dans la partie inférieure. Le débit d'air est critique à un bon fonctionnement. Il est aussi important qu'à l'extérieur de l'édifice le débit d'air autour de l'extérieur de l'unité ne soit pas bloqué.

### Emplacement de l'unité

Si votre climatiseur peut être placé dans une fenêtre ou un mur qui est om-

bragé par un arbre ou un autre édifice, il fonctionnera de façon encore plus efficace. L'utilisation de rideaux ou de stores du côté ensoleillé de l'habitation augmentera aussi l'efficacité de l'unité.

### Isolation

Une bonne isolation peut grandement aider à maintenir les niveaux de confort recherchés. Les portes doivent avoir des bourrelets de cafeutrage. Assurez-vous de cafeutrer autour des portes et des fenêtres.

### Installation appropriée d'un joint d'étanchéité

Assurez-vous que le joint d'étanchéité a bien été appliqué pour minimiser le bruit et améliorer l'efficacité. Si le joint d'étanchéité n'a pas été appliqué, veuillez vous reporter aux directives d'installation à la page 33.

# Comment faire fonctionner votre climatiseur de fenêtre Friedrich (modèles XQ)

## Pour mettre l'unité en marche

Si votre climatiseur est installé et branché dans une prise appropriée, il est prêt à être utilisé. La première fois que l'unité est mise en marche, le compresseur sera différé de trois minutes. Reportez-vous à la Protection automatique des composants à la page suivante.

- 1 Appuyez sur le bouton **Power** une fois. L'unité sera automatiquement en mode **Cool** avec la température réglée à 24 °C (75 °F) et la vitesse du ventilateur à F1, le réglage de nuit.

## Pour régler le mode de fonctionnement

Lorsque vous mettez l'unité en marche pour la première fois, elle sera en mode **Cool** (lumière allumée), avec le ventilateur en mode continu.

- 2 Touchez au bouton **Mode** une fois pour activer **MoneySaver®** (lumière allumée).

MoneySaver® est une fonction qui synchronise le ventilateur avec le compresseur de manière à ce que le ventilateur ne fonctionne pas constamment. Cela économise de l'énergie et améliore la déshumidification. Ou vous pouvez préférer que le ventilateur fonctionne constamment pour faire circuler l'air (pour retourner au ventilateur en mode continu, appuyez sur le bouton Mode deux fois de plus).

Pour faire fonctionner le ventilateur par lui-même, procédez comme suit:

- 3 En continuant à partir du mode **MoneySaver®** (lumière allumée), appuyez sur le bouton **Mode** une fois pour activer la fonction **FAN ONLY** (lumière allumée).

La configuration VENTILATEUR UNIQUEMENT fera circuler l'air dans la pièce sans compresseur.

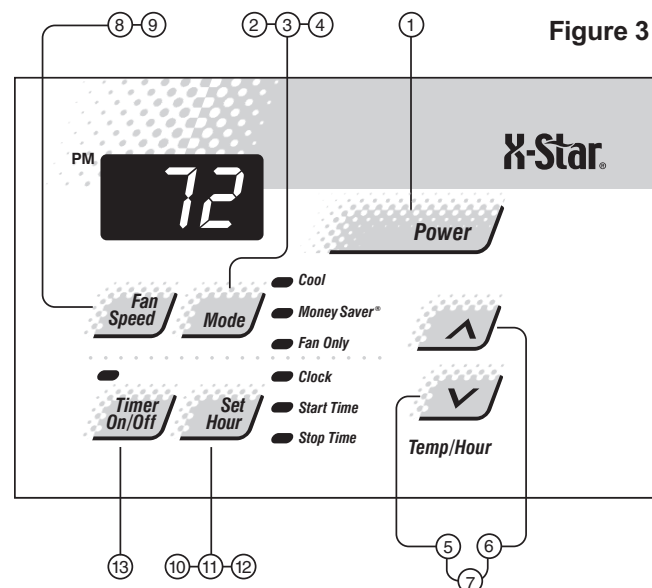
## Pour régler la température

- 4 Utilisez le bouton **Mode** pour sélectionner la fonction **COOL** ou **MoneySaver®**
- 5 **PLUS FROID** – Appuyez sur le bouton **↕** pour abaisser la température de la pièce.
- 6 **PLUS CHAUD** – Appuyez sur le bouton **↗** pour augmenter la température de la pièce.
- 7 Appuyez sur les boutons **↗** et **↕** en même temps pour faire passer l'affichage de la température de Fahrenheit (°F) à Celsius (°C).

Répétez l'étape 7 pour passer de °C à °F.

## Pour régler la vitesse du ventilateur

- 8 Appuyez sur le bouton **Fan Speed** pour voir le réglage actuel. Enfoncez-le à nouveau pour changer la vitesse. F1 est le réglage le plus bas (**RÉGLAGE DE NUIT / BAS**), F2 est **MOYEN**, et F3 est **ÉLEVÉ**.



## Pour activer Smart Fan

- 9 Il existe une quatrième option, SF, lors de la sélection de la vitesse du ventilateur. Il s'agit de la fonction SMART FAN. SMART FAN NE FONCTIONNE PAS AVEC LE MODE DE VENTILATEUR SEULEMENT.

Smart Fan réglera la vitesse du ventilateur automatiquement pour maintenir le niveau de confort désiré. Par exemple, si les portes extérieures de votre maison sont ouvertes pendant une période de temps prolongée ou d'autres personnes entrent dans une pièce, Smart Fan peut passer à une vitesse de ventilateur supérieure pour compenser l'augmentation de la charge de chaleur. Cela vous évite de devoir régler la vitesse du ventilateur vous-même.

## Pour régler l'horloge

- 10 Appuyez sur le bouton **Set Hour** pour voir le réglage actuel (la lumière de l'horloge s'allume). Le chiffre affiché est l'heure approximative (heure seulement). Utilisez les boutons **↗** et **↕** pour modifier le réglage. ASSUREZ-VOUS DE RÉGLER A.M. ET P.M. EN CONSÉQUENCE (P.M. est indiqué par une lumière rouge dans le coin supérieur gauche de l'affichage).

## Pour régler la minuterie

**REMARQUE:** Réglez l'HORLOGE avant de tenter de régler les fonctions de la minuterie.

Vous pouvez régler les heures de départ (START) et d'arrêt (STOP) avec un écart minimum d'une heure entre elles et un écart maximum de vingt-trois heures entre elles.

- 11 Après avoir réglé l'heure, appuyez sur le bouton **Set Hour** une fois (la lumière Start s'allume). Utilisez les boutons **↗** et **↕** pour sélectionner l'heure à laquelle l'unité se mettra en marche (**START**).

- ⑫ Après avoir réglé l'heure de départ (**START**), appuyez sur le bouton **Set Hour** une fois de plus (la lumière Stop s'allume). Utilisez les boutons **▲** et **▼** pour sélectionner l'heure à laquelle l'unité s'éteindra (**STOP**). Après avoir sélectionné l'heure d'arrêt, appuyez sur le bouton **Set Hour** une fois.
- ⑬ Appuyez sur le bouton **Timer On/Off** (la lumière s'allume) pour activer la fonction minuterie. Pour désactiver cette fonction, appuyez sur le bouton **Timer On/Off** encore une fois (la lumière s'éteint). Une fois les heures de mise en marche et d'arrêt choisies, elles demeureront en mémoire et se répéteront tous les jours jusqu'à ce qu'elles soient changées.

## Comment utiliser la télécommande

### Pour mettre l'unité en marche

- ① **MISE EN MARCHÉ** - Appuyez sur le bouton **Power** une fois. L'unité se mettra automatiquement en marche dans le mode et à la vitesse de ventilateur choisis lorsqu'elle a été éteinte.

### Pour régler le mode de fonctionnement

- ② **FRAIS** - Appuyez sur le bouton **Cool** pour passer automatiquement au mode de fonctionnement COOL.
- ③ **VENTILATEUR SEULEMENT** - Appuyez sur le bouton **Fan Only** si vous désirez faire fonctionner le ventilateur seulement.
- ④ **MoneySaver®** - Appuyez sur le bouton MoneySaver® pour activer la fonction MoneySaver®. **MoneySaver®** est la fonction qui synchronise le ventilateur avec le compresseur de manière à ce que le ventilateur ne fonctionne pas constamment.

### Pour régler la température

- ⑤ **PLUS CHAUD** - Appuyez sur le bouton **▲ Warmer** pour augmenter la température.
- ⑥ **PLUS FRAIS** - Appuyez sur le bouton **▼ Cooler** pour baisser la température.

### Pour régler la vitesse du ventilateur

- ⑦ **VITESSE DU VENTILATEUR** - Appuyez sur le bouton **Fan Speed** pour voir le réglage actuel. Appuyez à nouveau pour changer la vitesse du ventilateur. F1 est le réglage le plus bas (RÉGLAGE DE NUIT / BAS), F2 est MOYEN, F3 est ÉLEVÉ et SF est le réglage SMART FAN.

### Pour régler l'horloge

- ⑧ **RÉGLER L'HORLOGE** - Appuyez sur **Set Hr.** une fois pour voir le réglage actuel. Continuez à appuyer sur le bouton jusqu'à ce que vous arriviez à l'heure actuelle (heure seulement). Les minutes ne sont pas affichées à l'écran. Assurez-vous que le réglage A.M./P.M. est correct.

### Pour régler la minuterie

**REMARQUE:** Vous pouvez régler les heures de départ (START) et d'arrêt (STOP) avec un écart minimum d'une heure entre elles et un écart maximum de 23 heures entre elles.

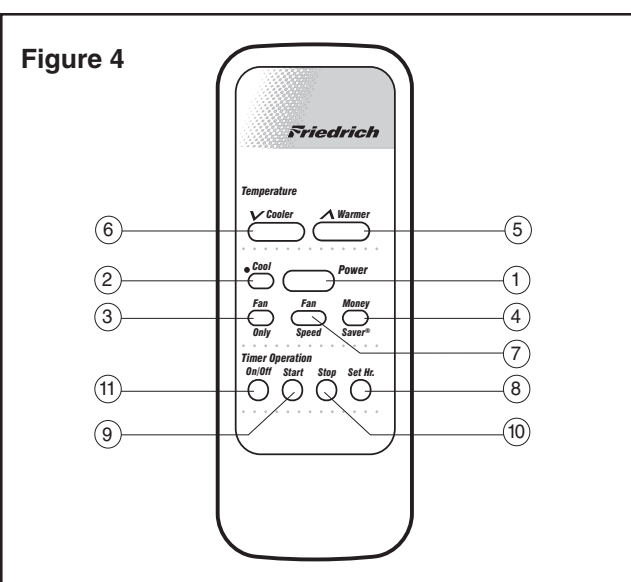
**REMARQUE:** Si l'unité est débranchée ou si le courant est interrompu, l'HEURE doit être réglée à nouveau sinon la minuterie Timer On/Off ne fonctionnera pas au moment désiré.

### Protection automatique des composants

Cet appareil est équipé d'une Protection automatique des composants. Pour protéger le compresseur de l'appareil, il y a un délai de trois (ventilateur seulement) avec un retour à Cool (froid), il y a aussi un délai de trois minutes avant la remise en marche du compresseur.

- ⑨ **DÉPART DE LA MINUTERIE** - Appuyez sur **Start** pour voir l'heure actuelle de mise en marche du climatiseur. Continuez à appuyer sur le bouton **Start** jusqu'à ce que vous arriviez à l'heure de mise en marche désirée. L'heure de mise en marche du climatiseur sera alors réglée.
- ⑩ **ARRÊT DE LA MINUTERIE** - Appuyez sur le bouton **Stop**. Continuez à appuyer sur le bouton **Stop** jusqu'à ce que vous arriviez à l'heure d'arrêt désirée. L'heure d'arrêt du climatiseur sera alors réglée.
- ⑪ **MISE EN MARCHÉ/ARRÊT DE LA MINUTERIE** - Appuyez sur le bouton **Timer On/Off** pour activer (la lumière s'allume) ou désactiver (la lumière s'éteint) la fonction minuterie. Une fois les heures de mise en marche et d'arrêt choisies, elles demeureront en mémoire et se répéteront tous les jours jusqu'à ce qu'elles soient modifiées.

**REMARQUE:** Si l'unité est débranchée ou si le courant est interrompu, la fonction **Set Hr.** doit être réinitialisée, sinon la fonction Timer On/ Off ne fonctionnera pas.



D'autres télécommandes sans fil RC1 peuvent être achetées chez votre concessionnaire Friedrich.

# Comment faire fonctionner votre climatiseur de fenêtre Friedrich (modèles YQ07/EQ08)

920-197-01

## Modèles YQ07

Ce modèle est conçu pour être utilisé dans les climats plus chauds; par conséquent, il ne possède pas de chaleur électrique de secours et ne fournira pas de chauffage adéquat au-delà d'une température extérieure ambiante de 3°C (37°F).

## Contrôle des fonctions

Le bouton de gauche est une commande à six positions (**Arrêt, Ventilateur seulement, Refroidissement élevé, Refroidissement faible, Chauffage faible, Chauffage élevé**) qui vous permet de sélectionner chaud ou froid à basse ou haute vitesse. De plus, vous pouvez sélectionner ventilateur seulement si vous le désirez.

## Contrôle de la température

Le bouton de droite est le thermostat - tournez-le dans le sens horaire pour refroidir, dans le sens antihoraire pour réchauffer (voir la figure 5).

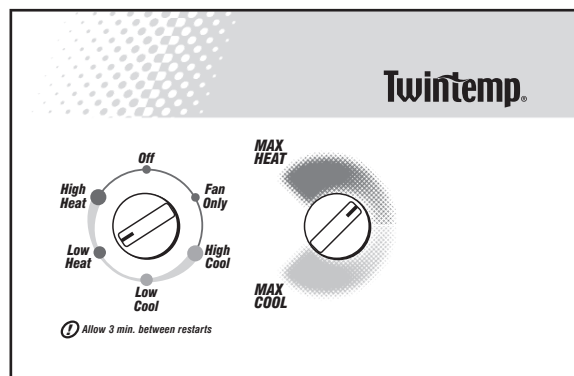


Figure 5

## Soin et entretien

### Pour retirer le filtre

Éteignez simplement l'appareil et tirez le cadre du filtre vers le haut et vers vous (voir la figure 6). Nettoyez avec de l'eau tiède et un détergent doux, rincez, séchez et remplacez en glissant le filtre dans sa position derrière le panneau avant.

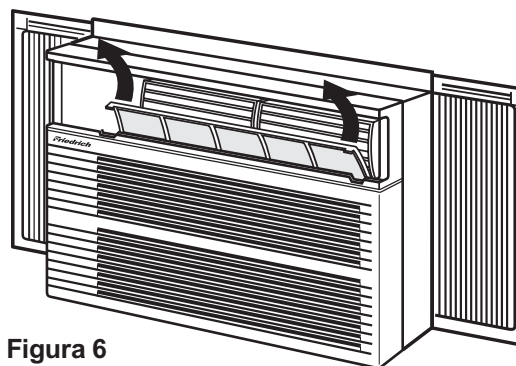


Figure 6

## Directives d'installation

**REMARQUE:** Cette section comprend les directives d'installation pour les montages dans une fenêtre et dans un mur. Les unités de chauffage et de refroidissement TwinTemp® sont conçues pour être encastrées dans un mur de façon permanente. Le montage de l'unité dans une fenêtre nécessite une trousse d'accessoires de montage dans une fenêtre offerte chez votre concessionnaire Friedrich.

**⚠ AVERTISSEMENT**

**DANGER D'ELECTROCHOC**

Assurez-vous que la prise électrique soit la même que la prise de votre climatiseur. S'il y a une différence consultez un électricien qualifié.

N'utilisez pas d'adaptateur de prise.  
N'utilisez pas de rallonge.  
Ne retirez pas la fiche de mise à la terre  
Branchez toujours dans une prise à trois.



Ne pas faire cela peut provoquer la mort, un incendie ou un électrochoc.

**PROTECTION DU CIRCUIT** - Un circuit surchargé causera invariablement des défaillances ou des pannes à un climatiseur; par conséquent, il est nécessaire que la protection électrique soit adéquate. Tous les modèles portatifs à châssis nécessitent un fusible de 15 ampères ou un disjoncteur pour protection de surintensité. À cause de la demande momentanée élevée de courant lorsque votre climatiseur est mis en marche, utilisez un fusible « à fusion lente » ou un disjoncteur de type HACR. Consultez votre concessionnaire ou la compagnie d'électricité en cas de doute.

Votre climatiseur doit être relié à une source d'alimentation ayant la même tension en c.a. et les mêmes hertz que ce qui est indiqué sur la plaque d'identification de l'unité. Seul le courant alternatif (c.a.), pas le courant continu (c.c.), peut être utilisé.

Le cordon d'alimentation possède une fiche avec une broche de mise à la terre d'un type approuvé et une prise de courant correspondante avec mise à la terre est requise. Reportez-vous à la page 25 pour connaître le bon type de prise de courant pour votre modèle.

**AVERTISSEMENT:** NE COUPEZ OU NE RETIREZ JAMAIS LA BROCHE DE MISE À LA TERRE DE LA FICHE. N'UTILISEZ JAMAIS UN CORDON D'EXTENSION POUR FAIRE FONCTIONNER UN CLIMATISEUR.

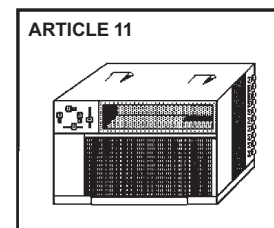
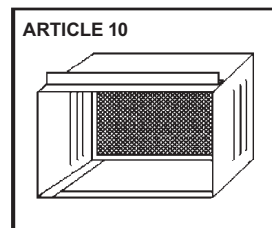
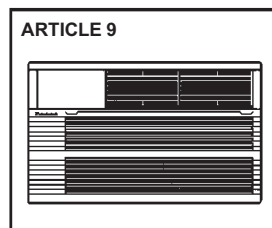
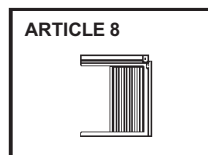
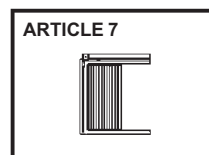
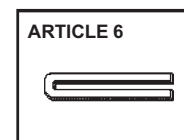
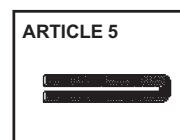
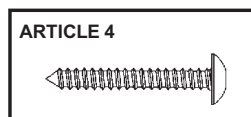
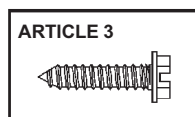
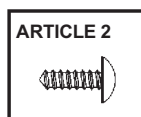
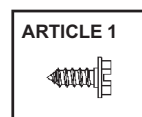
### LISEZ CECI D'ABORD! Exigences électriques

**IMPORTANT:** Avant de commencer l'installation du climatiseur, assurez-vous de respecter les exigences électriques décrites ci-dessous. Si nécessaire, consultez un électricien professionnel pour vous assurer que le câblage de votre maison est conforme aux codes électriques locaux.

## Articles requis pour l'installation (fournis uniquement avec les unités de refroidissement seulement)

N° D'ARTICLE	DESCRIPTION	QTÉ
1	VIS AUTOTARAUDEUSE, n° 8 x 3/8 po	8
2	VIS CRUCIFORME À TÊTE BOMBÉE, n° 8 x 1/2 po	4
3	VIS HEXAGONALE, n° 8 x 7/8 po	10
4	VIS CRUCIFORME, n° 8 x 1 1/4 po	2
5	JOINT GRIS EN MOUSSE, 2,5 cm x 3,8 cm x 106,7 cm	1
6	JOINT BLANC EN MOUSSE, 2,5 cm x 3,8 cm x 121,9 cm	1

N° D'ARTICLE	DESCRIPTION	QTÉ
7	MONTAGE DU RIDEAU GAUCHE	1
8	MONTAGE DU RIDEAU DROIT	1
9	PANNEAU DÉCORATIF AVANT	1
10	CAISSON OU MANCHON	1
11	CLIMATISEUR	1



# Installation dans une fenêtre à guillotine

## ⚠️ AVERTISSEMENT

### DANGER DE CHUTE D'OBJET

Ne pas suivre les instructions d'installation pour le montage de votre climatiseur peut provoquer des dégâts corporels, des blessures, ou la mort.



**ÉTAPE 1** Après avoir retiré l'unité de sa boîte d'expédition, retirez le ruban retenant le panneau décoratif avant en place. Déposez le panneau dans un endroit sûr éloigné, puis glissez le châssis hors du caisson (voir la figure A).

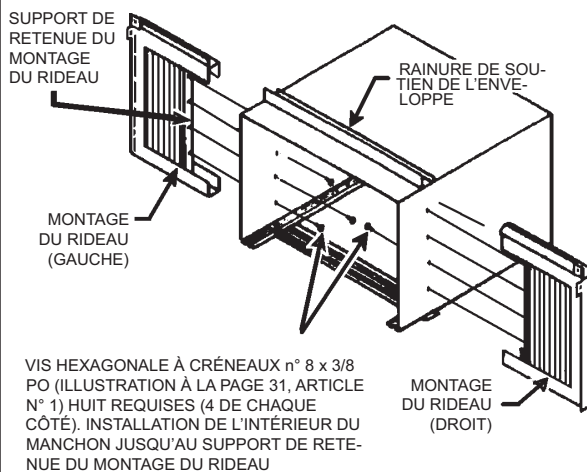
**ÉTAPE 2** Fixez les assemblages de rideaux au caisson comme dans la figure B. Utilisez huit (8) n° 8 x 3/8 po vis à hexagonales à créneaux (article n° 1, page 31).

**ÉTAPE 3** Centrez le caisson dans la fenêtre avec la rainure d'appui placée contre le rebord de la fenêtre comme dans la figure C, section A-A.

**ÉTAPE 4** Tirez le châssis vers le bas derrière la rainure de soutien de l'enveloppe sur la partie supérieure du caisson; cela aide à tenir le caisson en place. Installez une vis à tête hexagonale n° 8 x 7/8 po (article n° 3, page 31) dans la rainure de l'appui au fond de l'ouverture de la fenêtre comme dans la figure C.

**ÉTAPE 5** Allongez les rideaux coulissants de chaque côté de manière à ce que les cadres aillent dans les rainures. Tout en tenant les cadres de rideaux en place, marquez quatre (4) emplacements de trou (les emplacements de trous se trouvent dans les coins supérieurs de l'assemblage du rideau gauche et droit), deux (2) dans le montant de fenêtre et deux (2) dans le châssis. Tirez les rideaux des emplacements marqués et percez quatre (4) trous de guidage de 3 mm de diamètre. Encore une fois, allongez les rideaux coulissants de chaque côté et installez deux (2) vis cruciformes n° 8 x 1/2 po (article n° 2, page 31) et deux (2) vis cruciformes n° 8 x 1/4 po (article n° 4) dans les cadres du rideau comme dans la figure C.

Figure B



## ⚠️ ATTENTION

Danger concernant un poids excessif  
Employez quelqu'un lors de l'installation de votre climatiseur.  
Ne pas faire cela pourrait entraîner des blessures.

## ⚠️ ATTENTION

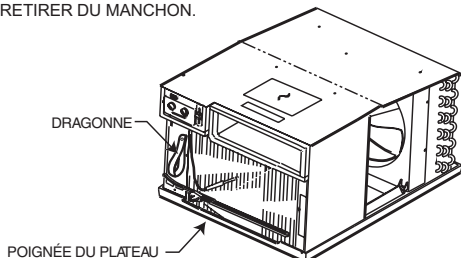


### Coupure/Entaille

Bien qu'un grand soin a été pris pour la protection des bords tranchants, pour votre protection utilisez des gants ou d'autres protections dures.  
Ne pas faire cela pourrait entraîner des blessures.

Figure A

POUR TIRER L'UNITÉ DU MANCHON, UTILISEZ LA DRAGONNE ET LA POIGNÉE DU PLATEAU SITUÉES À L'AVANT. DEMANDEZ DE L'ASSISTANCE OU DE L'AIDE AU BESOIN POUR TENIR LE MANCHON PENDANT QUE VOUS TIREZ L'UNITÉ HORS DE CE DERNIER. ASSUREZ-VOUS QUE LE CLIMATISEUR EST FERME ET SOUTENU AVANT DE LE RETIRER DU MANCHON.



LORSQUE VOUS TRANSPORTEZ OU MANIPULEZ L'UNITÉ, DEMANDEZ DE L'ASSISTANCE OU DE L'AIDE AU BESOIN POUR SOUTENIR L'UNITÉ PAR LE BAS (PLATEAU), TOUT EN GARDANT EN GARDANT UNE DISTANCE DE TOUS LES OBSTACLES.

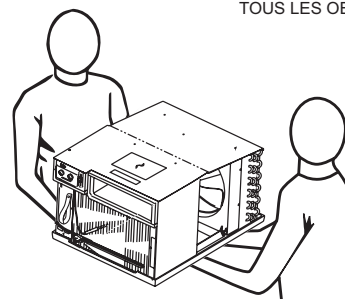


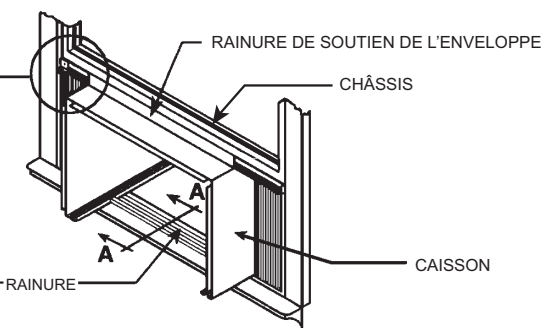
Figure C

VIS CRUCIFORME 1/2 PO (voir l'illustration, article n° 2, page 31)

VIS CRUCIFORME 1 1/4 PO (voir l'illustration, article n° 4, page 31)

VIS HEXAGONALE n° 8 x 7/8 PO (voir l'illustration, article n° 3, page 31)

REBORD DE FENÊTRE



SECTION A-A



**ÉTAPE 6** Examinez l'unité avant de l'insérer dans le manchon. Le ventilateur et la roue soufflante doivent être manuellement pivotés pour s'assurer qu'ils tournent librement. Assurez-vous que le cordon électrique ne nuira pas à l'insertion de l'unité dans le manchon.

**REMARQUE:** Pour votre sécurité, NE branchez PAS le cordon électrique dans une prise de courant avant que l'installation ne soit terminée.

**ÉTAPE 7** Si l'unité s'avère correcte, elle est prête à être mise en position sur les rails inférieurs du caisson et poussée en place.

**REMARQUE:** Effectuez tout soulèvement de l'unité par le plateau inférieur seulement avec de l'aide, si nécessaire (voir la figure A).

**ÉTAPE 8** Installez le joint blanc de châssis (article n° 6, page 31) et le joint gris de fenêtre (article n° 5). Insérez soigneusement le joint blanc (article n° 6) entre le châssis et le caisson en commençant par l'un des coins inférieurs et en remontant sur le côté, le dessus et le bas du côté opposé. Insérez le joint gris (article n° 5) entre les châssis de fenêtre comme dans la figure D. Si un joint de châssis n'est pas installé, le fonctionnement de l'unité sera affecté négativement. De plus, le bruit de fonctionnement et le bruit de l'extérieur seront amplifiés.

**ÉTAPE 9** Tenez le panneau décoratif avant comme dans la figure E. Insérez les deux onglets du panneau décoratif avant dans les fentes dans la partie supérieure du caisson et abaissez le bas du panneau décoratif avant jusqu'au fond du caisson. Acheminez le cordon électrique du côté droit ou gauche au fond du caisson tel que requis par l'emplacement de la prise de courant. Utilisez les encoches fournies au fond du panneau décoratif avant pour acheminer le cordon électrique hors de l'unité. Fixez le panneau décoratif avant au caisson avec deux (2) vis cruciformes n° 8 x 1 ½ po (article n° 2, page 31)

## ⚠ AVERTISSEMENT



### DANGER D'ELECTROCHOC

Déconnectez l'alimentation avant intervention.  
Ne pas faire cela peut provoquer la mort, un incendie ou un électrochoc

Figure D

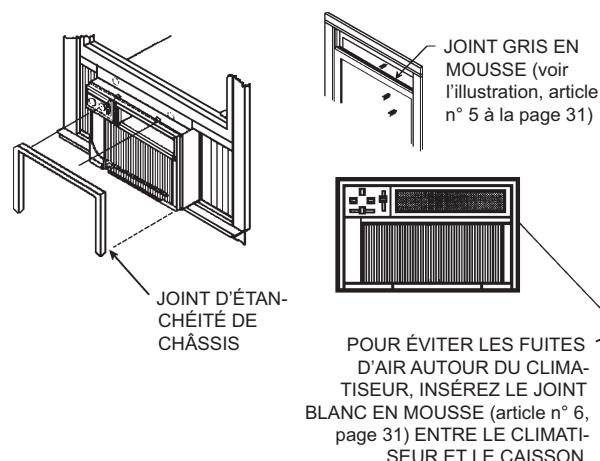
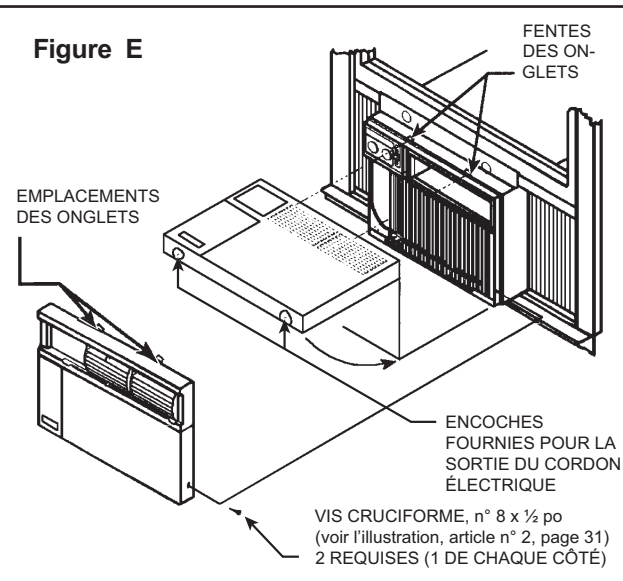


Figure E



**ÉTAPE 10 PROTECTION DU CIRCUIT** - Si le circuit du climatiseur est protégé par un fusible, utilisez un fusible « à fusion lente » ou un disjoncteur de type HACR à cause de la demande momentanée élevée de courant lorsque votre climatiseur est mis en marche. Avant de faire fonctionner votre unité, vérifiez l'intensité nominale du fusible à fusion lente ou du disjoncteur qui protègent votre unité. L'intensité nominale du fusible à fusion lente ou du disjoncteur doit être de 15 ampères. Reportez-vous à la section sur le Fonctionnement pour obtenir des directives de fonctionnement plus détaillées.

## ⚠ ATTENTION

Danger concernant un poids excessif  
Employez quelqu'un lors de l'installation de votre climatiseur.  
Ne pas faire cela pourrait entraîner des blessures.

## ⚠ AVERTISSEMENT



Danger lors du déplacement  
Remettez tous les panneaux avant de faire fonctionner votre climatiseur.  
Ne pas faire cela peut provoquer des blessures.

# Installations encastrées dans le mur

## ⚠ AVERTISSEMENT

### DANGER DE CHUTE D'OBJET

Ne pas suivre les instructions d'installation pour le montage de votre climatiseur peut provoquer des dégâts corporels, des blessures, ou la mort.



**ÉTAPE 1** Après avoir retiré l'unité de sa boîte d'expédition, retirez le ruban retenant le panneau décoratif avant en place. Déposez le panneau dans un endroit sûr éloigné, puis glissez le châssis hors du caisson (voir la figure A, page 32).

**ÉTAPE 2** Retirez la rainure de l'enveloppe de la partie supérieure du caisson (voir la figure B, page 32).

**REMARQUE:** Ne s'applique pas aux modèles à thermopompe vendus sans caisson de montage rapide.

**ÉTAPE 3** DISPOSITION - Coupez et encadrez une ouverture dans le mur désiré en utilisant l'illustration comme guide (voir la figure F).

**ÉTAPE 4** Placez le caisson dans l'ouverture encadrée.

**REMARQUE :** Mesurez et remplissez les espaces vides entre le côté du caisson et le cadre en bois avant de fixer au mur.

**ÉTAPE 5** Positionnez le rebord avant pour qu'il dépasse dans la pièce d'au moins 19 mm (3/4 po) dans le haut du caisson et d'au moins 25 mm (1 po) dans le bas (voir la figure G).

**ÉTAPE 6** Fixez chaque côté du caisson avec des vis hexagonales n° 8 x 7/8 po (article n° 3, page 31) ou des clous à travers les trous dans les côtés.

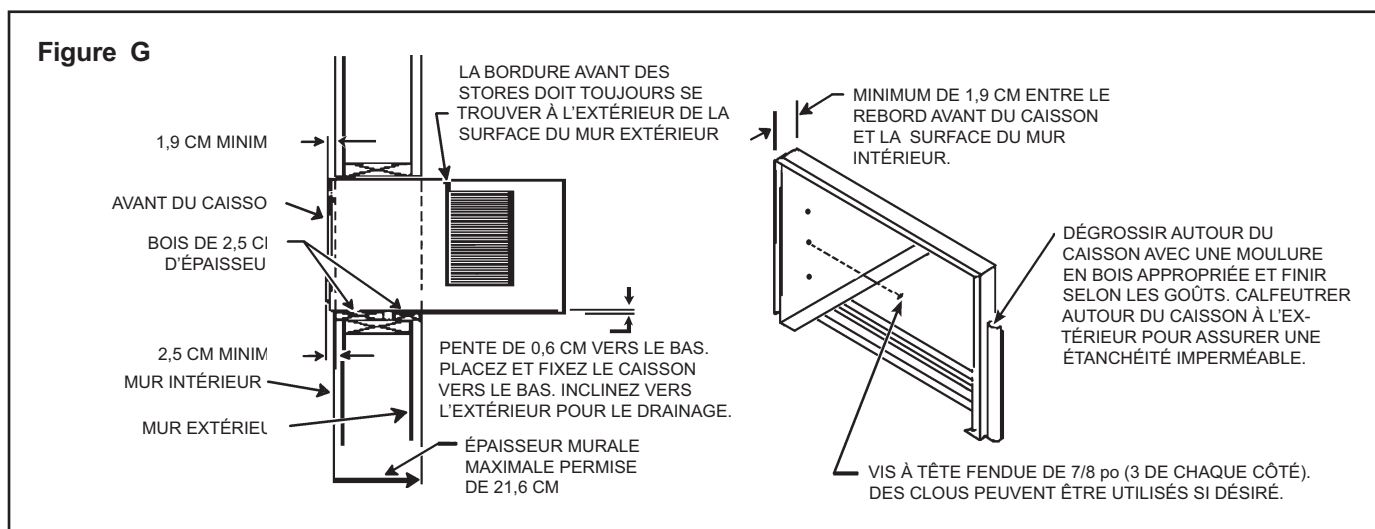
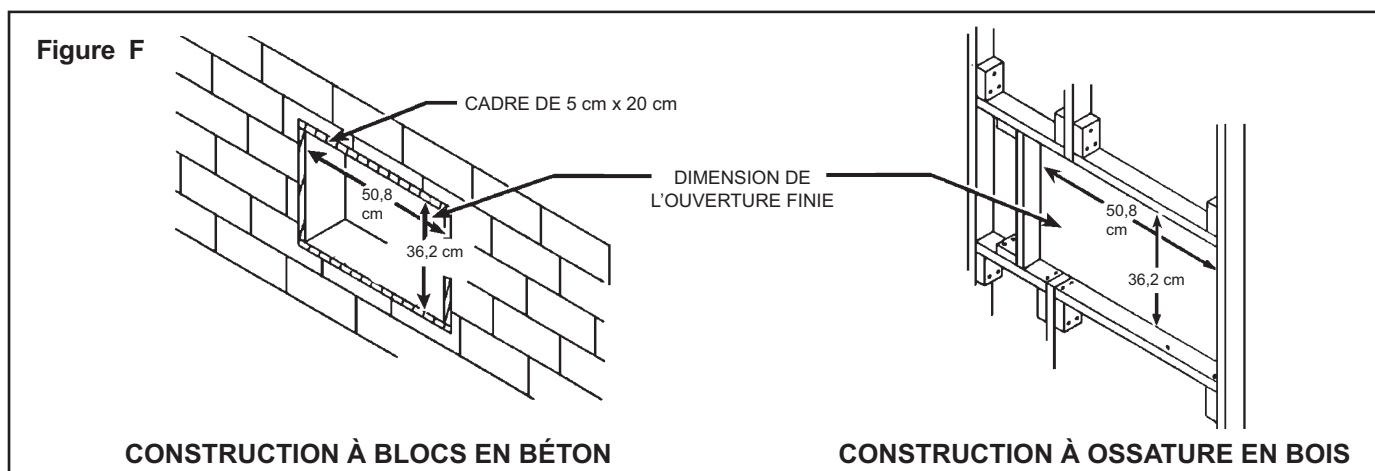
**REMARQUE:** AUTRES ATTACHES QUI PEUVENT ÊTRE UTILISÉES POUR FIXER LE CAISSON DE L'UNITÉ À UN MUR, Y COMPRIS LES MURS EN MAÇONNERIE, MAIS NON FOURNIES (OFFERTES DANS LES QUINCAILLERIES LOCALES).



BOULON À AILETTES



BOULON D'ANCRAGE À EXTENSION



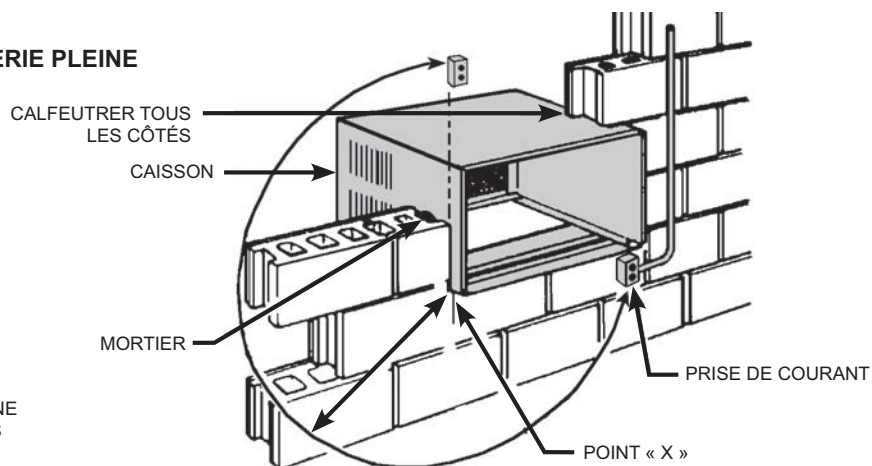
**ÉTAPE 7** Coupez deux morceaux de bois standard de 25 mm (1 po) (fournis par l'installateur) de la longueur et largeur requises. Placez devant et derrière la rainure d'enveloppe inférieure comme dans la figure G. Fixez avec des clous (fournis par l'installateur).

**ÉTAPE 8** Obtenez tous les trous dans le caisson avec un mastic de calfeutrage (fourni par l'installateur).

**ÉTAPE 9** Terminez l'installation en suivant les ÉTAPES 6 à 10 des directives d'installation dans une fenêtre à guillotine (page 33). Le joint de fenêtre mentionné à l'ÉTAPE 8 ne sera pas requis.

**IMPORTANT:** Avant de faire fonctionner votre unité, lisez l'ÉTAPE 10 des directives d'installation dans une fenêtre à guillotine.

**Figure H**  
**CONSTRUCTION À MAÇONNERIE PLEINE**



**REMARQUE :** L'EMPLACEMENT DE LA PRISE DE COURANT DU POINT « X » NE DOIT PAS EXCÉDER 1,75 M POUR LES UNITÉS DE 115 V.

## Conseils de dépannage

### Panne de courant

Si vous avez une panne de courant, la fonction de redémarrage automatique de l'unité reprendra le fonctionnement dans le mode choisi avant la panne de courant.

### Ne rafraîchit pas ?

Si votre climatiseur fonctionne, mais ne rafraîchit pas, assurez-vous que les commandes soient bien réglées. Vérifiez le filtre et nettoyez-le à fond si nécessaire. Vérifiez si le joint de châssis est installé (reportez-vous aux directives d'installation, étape 8, page 33).

### Ne fonctionne pas ?

Assurez-vous que le cordon d'alimentation soit branché correctement. Vérifiez si le fusible est grillé, si le disjoncteur ou le dispositif LCDI sont déclenchés. Reportez-vous à la page 25 pour les directives de réinitialisation du LCDI et pour confirmer la bonne taille du fusible.

#### Pour les modèles X-Star seulement :

Vous pouvez réinitialiser la carte de circuits imprimés en appuyant sur le bouton « MODE » et le bouton « TEMPERATURE DOWN » en même temps. Les DEL (petites lumières rouges) pour Hour, Start et Stop commenceront à clignoter. Dès que cela se produit, éteignez l'unité en appuyant sur le bouton On/Off une fois, puis en débranchant l'unité. Finalement, rebranchez l'unité et mettez-la en marche en appuyant sur le bouton On/Off une fois. Tous les réglages retournent aux réglages choisis en usine.

### Il s'agit d'un appareil pour temps chaud

Votre climatiseur est conçu pour refroidir en temps chaud lorsque la température extérieure est supérieure à 16 °C (60 °F); par conséquent, il ne refroidira pas une pièce s'il fait déjà frais à l'extérieur. De plus, il ne fournira pas de chauffage adéquat lorsque la température ambiante extérieure tombe en dessous de 3 °C (37 °F).

### De la condensation est un phénomène normal

Les climatiseurs pompent en fait de la chaleur et de l'humidité de votre pièce pour les repousser vers l'extérieur. L'humidité devient de l'eau et votre climatiseur utilisera la majorité de l'eau pour garder le serpentin extérieur frais. S'il y a trop d'humidité, il peut y avoir un excédent d'eau qui s'écoulera à l'extérieur. Il s'agit d'un fonctionnement normal.

### Givrage

Cela se produit habituellement à cause d'un débit d'air insuffisant à travers les serpentins, d'un filtre sale, de temps frais et humide ou de ces trois facteurs. Réglez l'unité à Fan Only et le givrage disparaîtra. Régler le thermostat à une température un peu plus élevée empêchera probablement le givrage de se reproduire.

### Bruits

Tous les climatiseurs font du bruit. Nous les fabriquons pour qu'ils fonctionnent le plus silencieusement possible. Un climatiseur installé dans un mur est plus silencieux qu'un climatiseur installé dans une fenêtre. Il est important de s'assurer que le joint de châssis est correctement installé (reportez-vous aux directives d'installation, étape 8, page 33).

### Nettoyage de votre climatiseur

Le panneau décoratif avant et le caisson peuvent être nettoyés avec de l'eau tempérée et un détergent liquide doux. Vous pouvez passer l'aspirateur sur le serpentin intérieur avec un accessoire d'époussetage s'il semble sale. Le serpentin extérieur peut être légèrement pulvérisé avec un boyau si vous pouvez l'atteindre. Sinon, vous pouvez communiquer avec votre concessionnaire pour un nettoyage plus complet au besoin. Le filtre à air doit être examiné chaque semaine et nettoyé au besoin en passant l'aspirateur avec un accessoire d'époussetage ou en le nettoyant dans l'évier au moyen d'eau tempérée et d'un détergent à vaisselle doux. Séchez le filtre à fond avant de le réinstaller. Faites attention - la surface du serpentin peut être coupante.

### Les thermopompes fonctionnent différemment

Si votre unité est un modèle « Y » ou thermopompe, il y a certaines choses que vous devriez savoir. Certaines fonctions d'une thermopompe varient de votre unité lorsqu'elle est utilisée pour refroidir :

1. Il est normal que de la glace se forme à l'extérieur du serpentin d'une thermopompe. De l'humidité dans l'air extérieur, passant sur le serpentin lorsqu'il fait très froid, produira de la glace.
2. Si la température extérieure tombe en dessous de 3 °C (37 °F), votre thermopompe activera automatiquement la chaleur de résistance électrique. Lorsque la température atteint 4 °C (40 °F), le compresseur reprendra le fonctionnement de la thermopompe. Si votre unité est un modèle à 115 volts (YQ07), il est conçu pour être utilisé dans des climats chauds et ne possède pas de fonction de chauffage électrique et ne fournira pas de chaleur adéquate en dessous de 3 °C (37 °F).

**⚠ AVERTISSEMENT**



**DANGER D'ELECTROCHOC**

**Déconnectez l'alimentation avant intervention.**

**Remettez tous les composants et panneaux avant de faire fonctionner.**

**Ne pas faire cela peut provoquer la mort ou un électrochoc.**

## Accessoires offerts

### Trousses d'installation dans une fenêtre - modèles de thermopompe

Les modèles de thermopompe YQ de Friedrich sont normalement encastrés dans le mur et sont emballés et vendus sans les montages de rideaux extensibles. La trousse de montage de rideaux WIKQ peut être achetée comme accessoire pour les installations dans une fenêtre. Cet accessoire

peut être commandé auprès de votre concessionnaire Friedrich. Lorsque vous commandez une trousse, indiquez les numéros de modèle et de série de votre unité.



Friedrich Air Conditioning Company  
 P.O. Box 1540  
 San Antonio, TX 78295  
 210.357.4400  
 www.friedrich.com

## CLIMATISEURS DE FENÊTRE GARANTIE LIMITÉE

### PREMIÈRE ANNÉE

**TOUTE PIÈCE** : Si toute pièce fournie par FRIEDRICH tombe en panne à cause d'un défaut de main d'œuvre ou de matériaux dans un délai de douze mois suivant la date d'achat original, FRIEDRICH réparera le produit sans frais, à condition que le climatiseur soit raisonnablement accessible pour le service. Tout frais de main d'œuvre supplémentaire pour retirer les unités inaccessibles et/ou les frais de déplacement d'une entreprise de service se trouvant à plus de 40 kilomètres pour de distance seront pris en charge par le propriétaire. Ce remède est expressément accepté comme étant le seul remède offert dans une période de douze mois à compter de la date d'achat original.

### DEUXIÈME À CINQUIÈME ANNÉE

**SYSTÈME DE RÉFRIGÉRATION SCÉLLÉ** : Si le système de réfrigération scellé (défini pour les besoins présents comme étant le compresseur, le serpentín du condensateur, le serpentín d'évaporateur, le robinet inverseur, le clapet de retenue, le capillaire, le déshydrateur et toute la tuyauterie d'interconnexion) fourni par FRIEDRICH dans votre climatiseur de fenêtre tombe en panne à cause d'un défaut de main d'œuvre ou de matériaux dans une période de six mois à compter de la date d'achat, FRIEDRICH paiera une allocation de main d'œuvre et de pièces nécessaire à la réparation du système de réfrigération scellé; **À CONDITION que** FRIEDRICH ne paie pas les frais de diagnostic du problème, d'enlèvement, de fret et de transport du climatiseur en direction et en provenance de l'entreprise de service et les frais de réinstallation associés à la réparation du système de réfrigération scellé. Le propriétaire sera entièrement responsable de tous ces frais. Ce remède est expressément accepté comme étant le seul remède offert dans une période de six mois à compter de la date d'achat original.

**APPLICATION ET RESTRICTIONS** : Cette garantie s'applique uniquement aux unités se trouvant dans les cinquante états des É.-U., le District of Columbia et le Canada. Cette garantie ne s'applique pas aux :

1. filtres à air ou fusibles;
2. produits sur lesquels les numéros de modèle et de série ont été retirés;
3. produits qui ont des défauts ou des dommages causés par une mauvaise installation, un mauvais câblage, des caractéristiques de courant électrique ou d'entretien inappropriés ou causés par un accident, une mauvaise utilisation ou de l'abus, un incendie, une inondation, des modification et/ou des avaries du produit et/ou des unités installées dans une atmosphère corrosive, une défaillance ou un délai de rendement causé par une guerre, des restrictions ou contraintes gouvernementales, des grèves, des pénuries de matériaux au-delà du contrôle de FRIEDRICH ou des catastrophes naturelles.

**OBTENIR LE SERVICE DE GARANTIE** : Le service sera fourni par un **Concessionnaire autorisé ou une entreprise de service FRIEDRICH** dans votre région. Ils se trouvent dans les Pages Jaunes. Si vous avez besoin d'aide pour obtenir le service de garantie, veuillez écrire à : Room Air Conditioner Service Manager, Friedrich Air Conditioning Co., P.O. Box 1540, San Antonio, TX 78295-1540 É.-U.

**RESTRICTIONS** : CETTE GARANTIE REMPLACE TOUTES LES AUTRES GARANTIES. Indépendamment de ce qui se trouve dans la garantie, TOUTES LES GARANTIES IMPLICITES D'ADAPTATION À UN USAGE PARTICULIER OU DE VALEUR MARCHANDE SE LIMITENT À LA DURÉE DE CETTE GARANTIE EXPRESSE. LE FABRICANT RENONCE EXPRESSÉMENT ET EXCLUT TOUTE RESPONSABILITÉ RELATIVE AUX DOMMAGES CONSÉCUTIFS OU ACCIDENTELS POUR VIOLATION À TOUTE GARANTIE EXPRESSE OU IMPLICITE.

**REMARQUE** : Certaines provinces ne permettent pas les restrictions sur la durée de la garantie implicite, ou ne permettent pas les limites ou exclusions des dommages consécutifs ou accidentels; par conséquent, les exclusions ou restrictions précédentes peuvent ne pas s'appliquer à vous.

**AUTRE** : Cette garantie vous donne des droits juridiques précis et vous pouvez avoir d'autres droits qui peuvent varier d'une province à l'autre.

**PREUVE D'ACHAT** : Le propriétaire doit fournir une preuve d'achat afin d'obtenir tout service en vertu de la garantie.

Le consommateur sera entièrement responsable de tous les appels de service pour expliquer le fonctionnement de ce produit.

Tout service de garantie doit être fourni par une **entreprise de service FRIEDRICH autorisée**, à moins d'obtenir une autorisation de FRIEDRICH avant que les réparations de soient effectuées.

(10-04)





***Friedrich***

Friedrich Air Conditioning Co.

Post Office Box 1540 • San Antonio, Texas 78295-1540

4200 N. Pan Am Expressway • San Antonio, Texas 78218-5212

(210) 357-4400 • FAX (210) 357-4480

[www.friedrich.com](http://www.friedrich.com)

Printed in the U.S.A.

920-197-01 (04-08)