



2009 Parts Manual

Room Air Conditioners

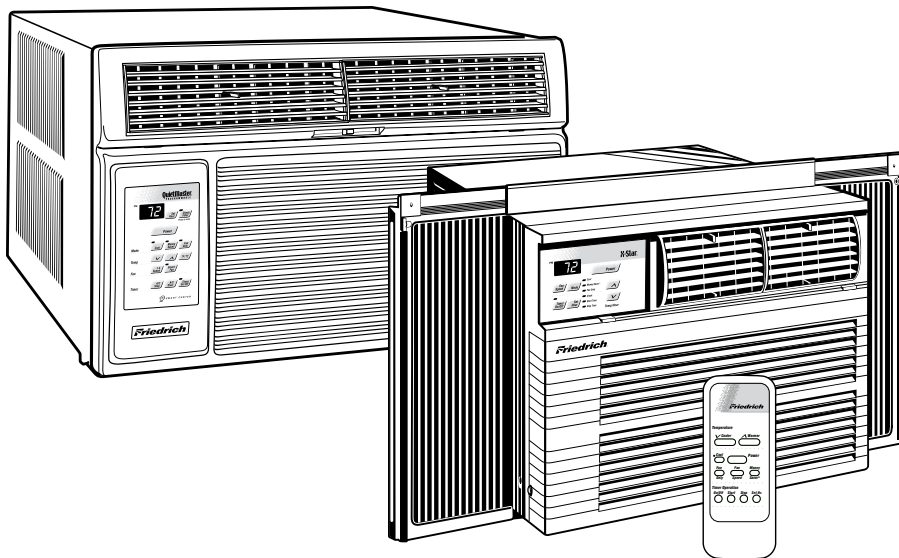


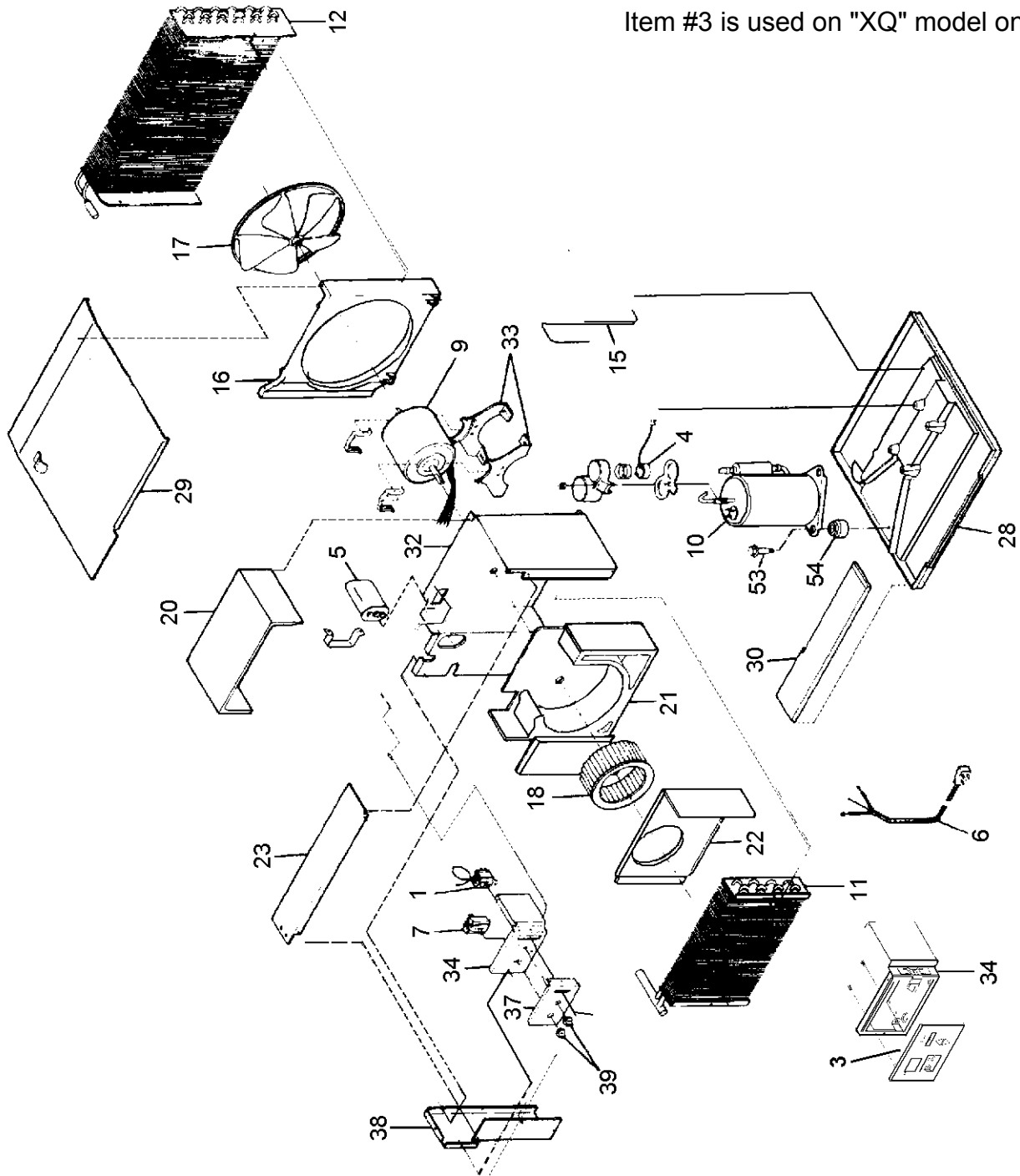
TABLE OF CONTENTS

PORTABLE "Q" SERIES UNITS	4-7
SMALL CHASSIS "S" SERIES UNITS (115 & 230 VOLT)	8-15
MEDIUM CHASSIS "M" SERIES UNITS (115 & 230 VOLT)	16-19
LARGE CHASSIS "L" SERIES UNITS	20-23

PORTABLE "Q" SERIES

CABINET PARTS

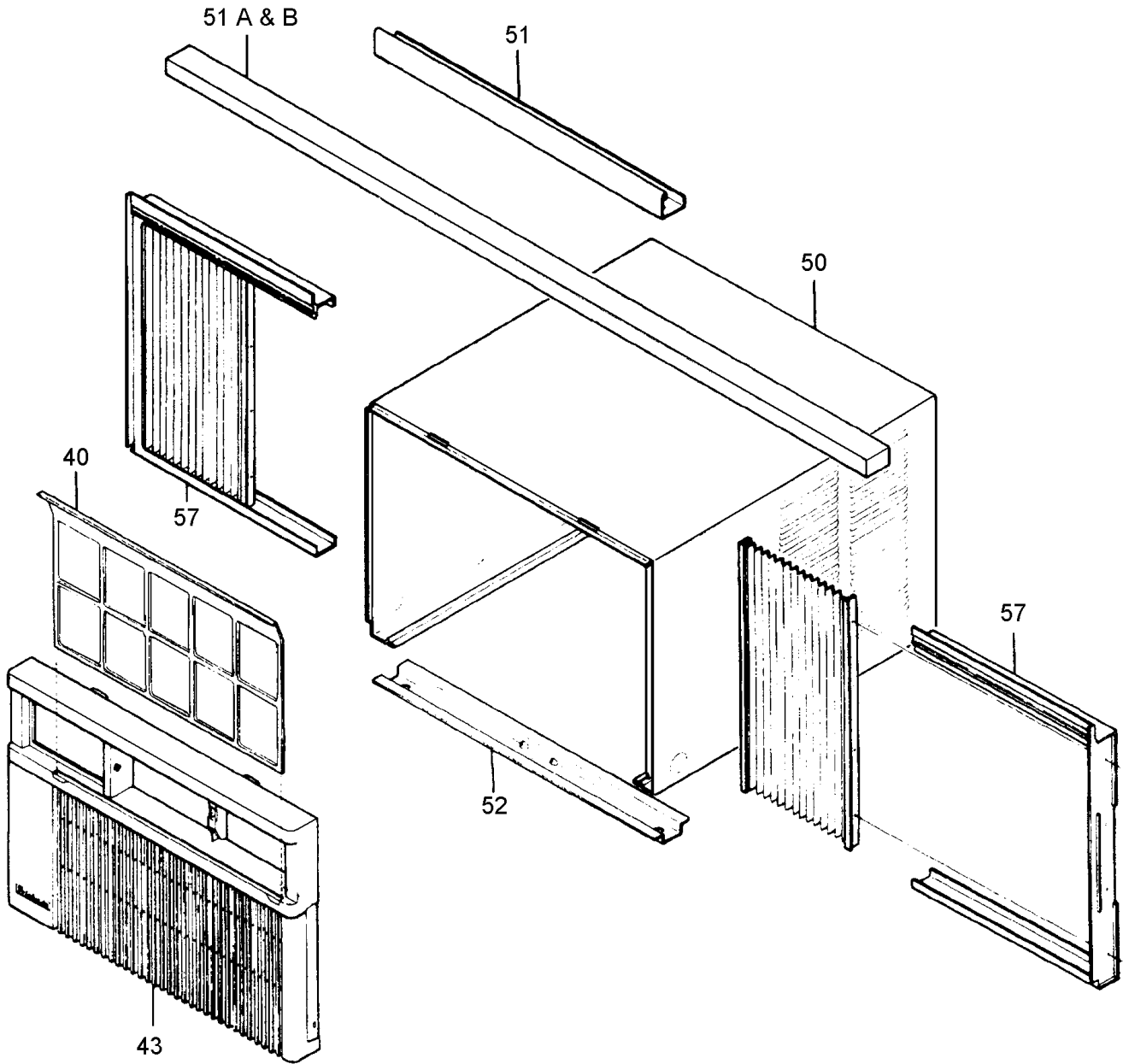
NOTE: Item #2 is used on "EQ" model only.
Item #3 is used on "XQ" model only



PORTABLE "Q" SERIES

CABINET PARTS

NOTE: Items 51 and 57 are not included with the "EQ" unit.



PORTABLE "Q" SERIES

REF	DESCRIPTION	PART NO.	XQ							EQ		CODE	
			XQ05L10A-C	XQ06L10A-C	XQ08L10A-B	XQ08L10A-E	XQ10L10A-C	XQ12L10A-B	XQ12L10A-C	EQ08L11A-B	EQ08L11A-E		
	ELECTRICAL PARTS												
1	THERMOSTAT	61822401									1	1	120
3	ELECTRONIC BOARD	61921192	1	1	1	1	1	1	1				340
*	REMOTE CONTROL	61826606	1	1	1	1	1	1	1				350
*	RESISTOR	61900500									1	1	200
4	OVERLOAD	61764528							1	1			190
4	OVERLOAD	61764539	1	1									190
4	OVERLOAD	61764519					1						190
4	OVERLOAD	61764507			1						1		190
4	OVERLOAD	61764509				1						1	190
5	CAPACITOR	61080530				1						1	150
5	CAPACITOR	61080559							1	1			150
5	CAPACITOR	61080550	1	1	1						1		150
5	CAPACITOR	61080528					1						150
6	SUPPLY CORD	60500330	1	1	1	1	1	1	1	1	1	1	220
7	SWITCH ROTARY 6 POS	60441610									1	1	130
*	HEATER	61929611									1	1	193
9	FAN MOTOR	61871493							1	1			110
9	FAN MOTOR	61871451	1	1	1	1	1				1	1	110
REF	DESCRIPTION	PART NO.	XQ							EQ		CODE	
	REFRIGERATION PARTS												
10	COMPRESSOR	61562832			1						1		600
10	COMPRESSOR	61716646				1						1	600
10	COMPRESSOR	61716671					1						600
10	COMPRESSOR	61985100		1									600
10	COMPRESSOR	61985101	1										600
10	COMPRESSOR	61716670							1	1			600
11	EVAPORATOR COIL	61600257		1									400
11	EVAPORATOR COIL	61600258	1		1						1		400
11	EVAPORATOR COIL	61600272				1						1	400
11	EVAPORATOR COIL	62050018					1						400
11	EVAPORATOR COIL	62050020							1				400
11	EVAPORATOR COIL	62050024								1			400
12	CONDENSER COIL	61600519	1	1	1						1		410
12	CONDENSER COIL	61600521				1						1	410
12	CONDENSER COIL	62050319					1						410
12	CONDENSER COIL	62103404							1				410
12	CONDENSER COIL	62103407								1			410
*	DRIER, LIQUID	61481300	1	1	1		1	1	1	1	1		480
15	CAPILLARY TUBE	03760482				1						1	471
15	CAPILLARY TUBE	03760545	1	1									471
15	CAPILLARY TUBE	03760513			1						1		471
15	CAPILLARY TUBE	61992900					1						471
15	CAPILLARY TUBE	61992901							1	1			471

* PARTS NOT SHOWN

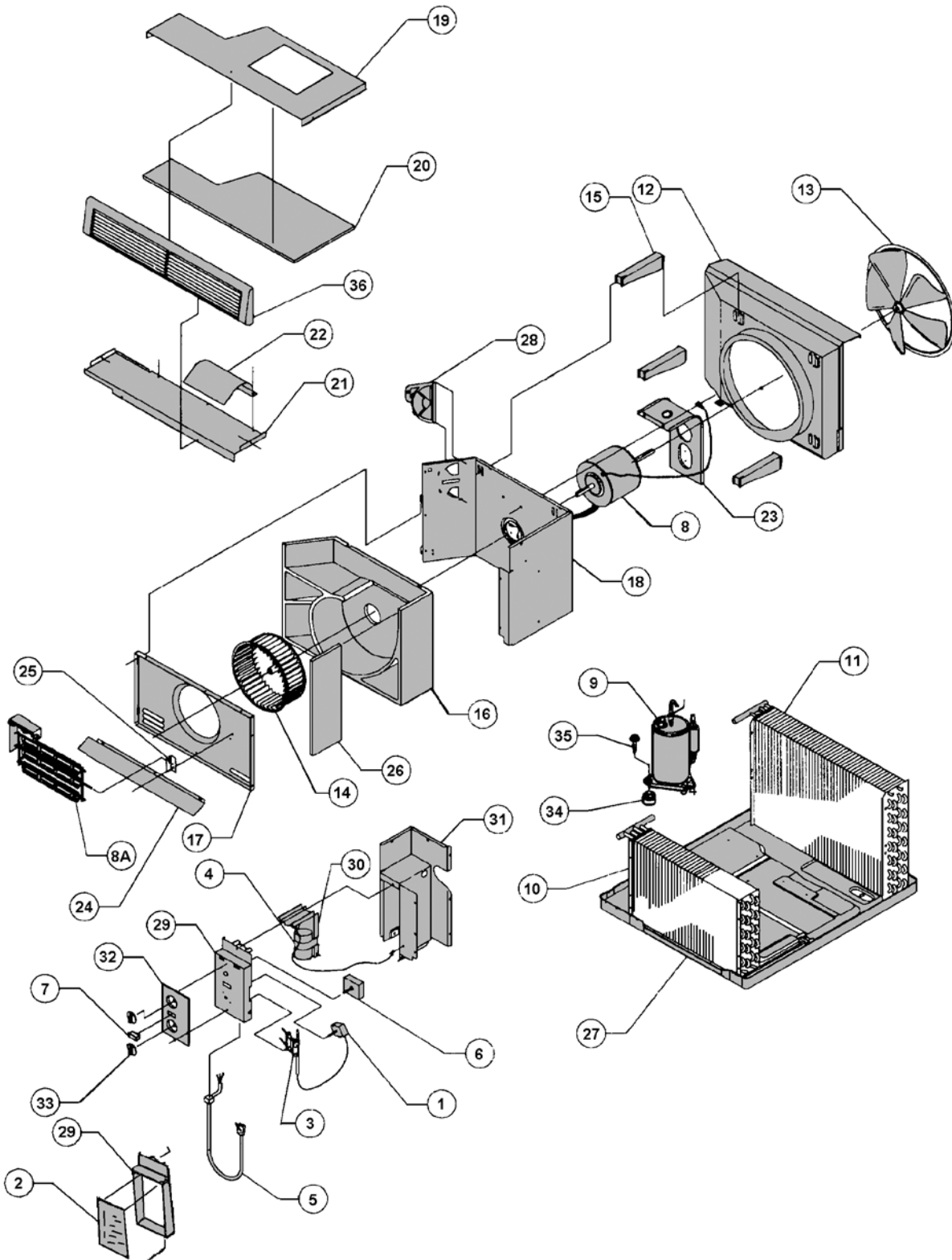
PORTABLE "Q" SERIES

REF	DESCRIPTION	PART NO.	XQ							EQ		CODE
			XQ05L10A-C	XQ06L10A-C	XQ08L10A-B	XQ08L10A-E	XQ10L10A-C	XQ12L10A-B	XQ12L10A-C	EQ08L11A-B	EQ08L11A-E	
	CHASSIS PARTS											
16	SHROUD, CONDENSER	61627601	1	1	1	1	1	1	1	1	1	720
17	FAN BLADE	61634000							1	1		710
17	FAN BLADE	61634001	1	1	1	1	1				1	710
18	BLOWER WHEEL	60610604							1	1		700
18	BLOWER WHEEL	60610606	1	1								700
18	BLOWER WHEEL	60610612			1	1	1				1	700
20	COVER BLOWER	61619513	1	1	1		1				1	745
20	COVER BLOWER	61619517				1			1	1		745
21	WRAPPER, SCROLL,	61990606	1	1	1	1	1	1	1	1	1	741
22	FRONT, BLOWER	61928801									1	742
22	FRONT, BLOWER	61990700	1	1	1	1	1	1	1			742
23	DECK, BLOWER	61619405									1	745
23	DECK, BLOWER	61990500	1	1	1	1	1	1	1			745
28	BASE PAN	61626312	1	1	1	1						730
28	BASE PAN	61626313						1	1	1		730
28	BASE PAN	61626314									1	730
29	COVER, UNIT TOP	61619513	1	1	1	1	1				1	746
29	COVER, UNIT TOP	61619517										746
30	DRAIN PAN, EVAP.	61638400	1	1	1	1	1	1	1	1	1	840
32	INNER WALL	61597317	1	1	1	1	1	1	1			777
32	INNER WALL	61597318									1	777
33	FAN MOTOR MOUNT	61776900							1	1		900
33	FAN MOTOR MOUNT	61776903	1	1	1	1	1				1	900
*	SCREW, FAN MTR. MT.	21004672	4	4	4	4	4	4	4	4	4	999
34	CONTROL MT. BRACKET	61619612									1	763
34	CONTROL MT. BRACKET	61923901	1	1	1	1	1	1	1			763
37	CONTROL DEC. PANEL	61715921									1	760
38	PANEL ASSLY, L/S	61924300	1	1	1	1	1	1	1	1	1	765
39	CONTROL KNOBS	61911605									2	761
*	HOLDER, TSTAT BULB	61900500									1	764
*	HOLDER, THERMISTER	61925001	1	1	1	1	1	1	1			764
40	FILTER, AIR	61632315	1	1	1	1	1	1	1	1	1	754
43	FRONT, DECORATIVE	61637716	1	1	1	1	1	1	1	1	1	750
50	SHELL, OUTER ASSY	61902100	1	1	1	1	1	1	1	1	1	720
51	ANGLE, TOP SUPPORT	61627313	1	1	1	1	1	1	1			999
52	CHANNEL, SILL	61627211	1	1	1	1	1	1	1	1	1	999
*	SCRIPT, FRIEDRICH	60169110	1	1	1	1	1	1	1	1	1	999
51A	GASKET, CHASSIS SEAL	61717300	1	1	1	1	1	1	1	1	1	780
51B	GASKET, WINDOW SEAL	60073300	1	1	1	1	1	1	1			780
*	BAG ASSLY (SCREWS)	61778700	1	1	1	1	1	1	1			999
*	BAG ASSLY (SCREWS)	61778701									1	999
*	COUNTER WEIGHT	61715800	3	3	3	3	2	2	2	3	3	999
*	SEAL, FAN MOTOR	60217902	1	1	1	1	1	1	1	1	1	780
54	GROMMET, COMP. MT.	61028900	3	3	3	3	3	3	3	3	3	790
53	SCREW, COMP. MT.	91400400	3	3	3	3	3	3	3	3	3	999
57	CURTAIN ASSLY.	61680205	1	1	1	1	1	1	1			999
*	CARTON, SHIPPING	61841925	1	1	1	1	1	1	1	1	1	999
*	PAD SHIPPING TOP	61769700	1	1	1	1	1	1	1	1	1	999
*	PAD SHIPPING BOTTOM	61716401	1	1	1	1	1	1	1	1	1	999
OPTIONAL ACCESSORIES												
*	WINDOW KIT	WIKQ									1	1
*	ANTI-ICE KIT	61680600									1	1
*	START ASSIST (PTCR)	61008903	1	1	1	1	1	1	1	1	1	
*	DRAIN KIT, DC-2	01900235	1	1	1	1	1	1	1	1	1	

* PARTS NOT SHOWN

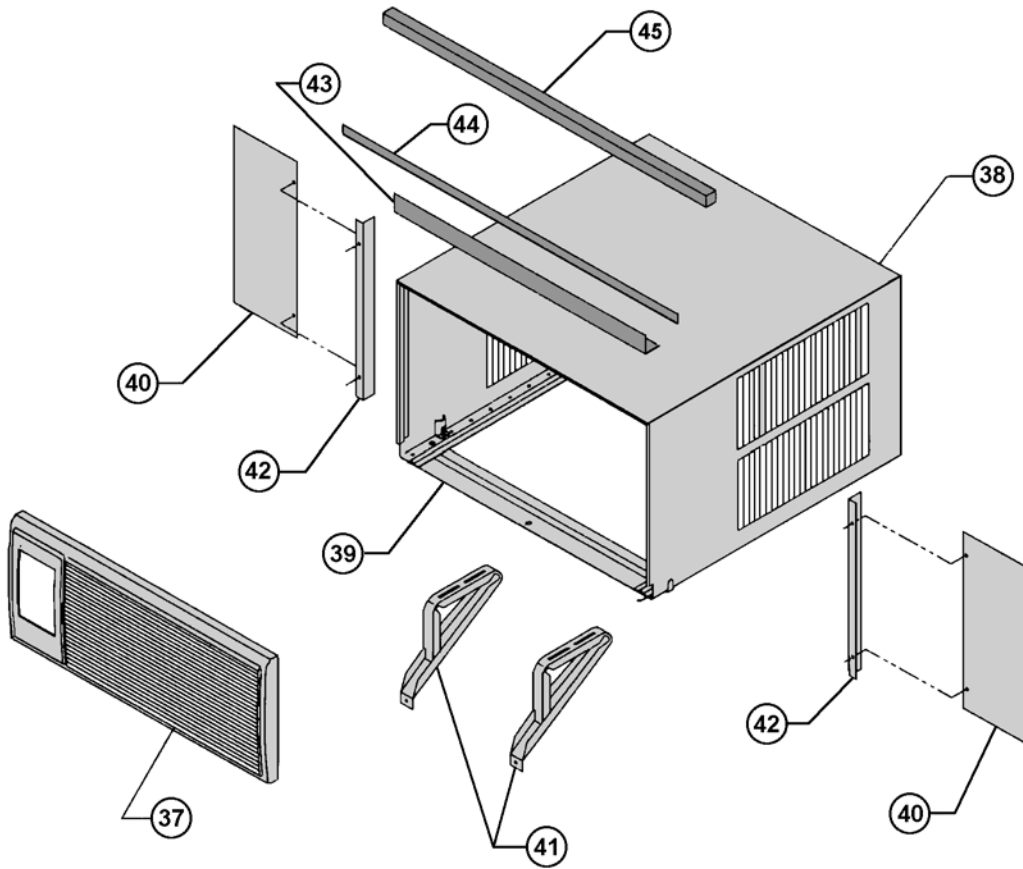
SMALL CHASSIS "S" SERIES

CHASSIS PARTS (ES, SS & YS)



SMALL CHASSIS "S" SERIES

CHASSIS PARTS (ES, SS & YS)



SMALL CHASSIS "S" SERIES - 115V

REF	DESCRIPTION	PART NO.	KS				SS								YS		CODE			
			KS12L10-E	KS12L10-F	KS15L10-C	KS15L10-D	SS08L10-E	SS08L10-F	SS08L10-H	SS10L10-D	SS10L10-E	SS12L10-E	SS12L10-F	SS14L10-D	SS14L10-E	YS09L10-F		YS09L10-G		
1	THERMOSTAT	61828500	1	1	1	1												120		
1	THERMOSTAT	61828400															1	1	120	
*	THERMOSTAT, DEFROST	61350314															1	1	122	
2	ELECTRONIC CTRL.	61921193					1	1	1	1	1	1	1	1	1				331	
*	REMOTE CONTROL	61826600					1	1	1	1	1	1	1	1	1				350	
3	RESISTOR	61808000	1	1	1	1											1	1	200	
*	OVERLOAD	61764519	1	1						1	1	1	1				1	1	190	
*	OVERLOAD	61764544			1	1							1	1					190	
*	OVERLOAD	61764507					1	1											190	
	OVERLOAD	61764509							1										190	
4	CAPACITOR	61080535					1	1	1								1	1	150	
4	CAPACITOR	61080554								1	1								150	
4	CAPACITOR	61080569	1	1	1	1					1	1	1	1	1				150	
5	SUPPLY CORD	60500321	1	1	1	1	1	1	1	1	1	1	1	1	1	1	1	1	220	
6	SWITCH SYS. 6 POS.	60607205	1	1	1	1													130	
6	SWITCH SYS. 8 POS.	60607204																1	1	130
7	SWITCH (YES - NO)	61806105	1	1	1	1											1	1	132	
8	FAN MOTOR	61871444	1	1	1	1	1	1	1	1	1	1	1	1	1	1	1	1	110	
*	SOLENOID COIL	25063505															1	1	240	
REF	DESCRIPTION	PART NO.	KS				SS								YS		CODE			
	REFRIGERATION PARTS		KS12L10-E	KS12L10-F	KS15L10-C	KS15L10-D	SS08L10-E	SS08L10-F	SS08L10-H	SS10L10-D	SS10L10-E	SS12L10-E	SS12L10-F	SS14L10-D	SS14L10-E	YS09L10-F	YS09L10-G			
9	COMPRESSOR	61716641								1	1								600	
	COMPRESSOR	61716646							1										600	
9	COMPRESSOR	61716671	1	1							1	1							600	
9	COMPRESSOR	61716653			1	1							1	1					600	
9	COMPRESSOR	61562832					1	1											600	
9	COMPRESSOR	61716665														1	1		600	
10	EVAPORATOR COIL	61850100	1							1							1		400	
10	EVAPORATOR COIL	61850114					1												400	
10	EVAPORATOR COIL	61850117		1						1								1	400	
10	EVAPORATOR COIL	61850118					1	1											400	
10	EVAPORATOR COIL	62050006				1						1		1					400	
10	EVAPORATOR COIL	62050022			1						1		1						400	
11	CONDENSER COIL	61850303			1														410	
11	CONDENSER COIL	62050317	1				1				1								410	
11	CONDENSER COIL	62050318		1				1	1			1							410	
11	CONDENSER COIL	62050303							1				1		1				410	
11	CONDENSER COIL	62050304				1				1				1		1			410	
*	DRIER, LIQUID	60308101	1	1	1	1	1	1	1	1	1	1	1	1	1				480	
*	DRIER, SUCTION	61828200														1	1		480	
*	CHECK VALVE	61824404														1	1		510	
*	REVERSING VALVE	25018305														1	1		500	
*	CAPILLARY TUBE	03760518					1	1	1										471	
*	CAPILLARY TUBE	03760520							1	1									471	
*	CAPILLARY TUBE	03760473	1	1							1	1							471	
*	CAPILLARY TUBE (HEAT)	03760479														1	1		471	
*	CAPILLARY TUBE	03760501			1	1							1	1					471	
*	CAPILLARY TUBE (COOL)	03760555														1	1		471	

* PARTS NOT SHOWN

SMALL CHASSIS "S" SERIES - 115V

REF	DESCRIPTION	PART NO.	KS				SS								YS		CODE	
			KS12L10-E	KS12L10-F	KS15L10-C	KS15L10-D	SS08L10-E	SS08L10-F	SS08L10-H	SS10L10-D	SS10L10-E	SS12L10-E	SS12L10-F	SS14L10-D	SS14L10-E	YS09L10-F		YS09L10-G
12	SHROUD, SML W/SUMP LOOP	61803601	1	1	1	1	1	1	1	1	1	1	1	1	1	1	1	720
13	FAN BLADE, CONDENSER	60542003	1	1	1	1	1	1	1	1	1	1	1	1	1	1	1	710
14	BLOWER WHEEL, EVAPORATOR	60610603	1	1	1	1						1	1				1	700
14	BLOWER WHEEL, EVAPORATOR	60610604					1	1	1	1	1			1	1			700
15	BRACE, COND. SHROUD	61802600	3	3	3	3	3	3	3	3	3	3	3	3	3	3	3	722
16	SCROLL	61814905	1	1	1	1	1	1	1	1	1	1	1	1	1	1	1	743
17	BLOWER FRONT	61817300	1	1	1	1	1	1	1	1	1	1	1	1	1	1	1	742
*	INSULATION, INNER WALL	61816900	1	1	1	1	1	1	1	1	1	1	1	1	1	1	1	781
18	INNER WALL	61907300	1	1	1	1	1	1	1	1	1	1	1	1	1	1	1	777
19	COVER, TOP	61906700	1	1	1	1	1	1	1	1	1	1	1	1	1	1	1	746
20	INSULATION, TOP COVER	61816701	1	1	1	1	1	1	1	1	1	1	1	1	1	1	1	781
21	DECK	61817100	1	1	1	1	1	1	1	1	1	1	1	1	1	1	1	745
22	AIR FOIL	61820200	1	1	1	1	1	1	1	1	1	1	1	1	1	1	1	744
23	MOUNT, FAN MOTOR	61802500	1	1	1	1	1	1	1	1	1	1	1	1	1	1	1	900
27	BASE PAN	61803439					1	1	1									730
27	BASE PAN	61803441	1	1	1	1					1	1	1	1	1			730
27	BASE PAN	61809013															1	730
*	DRAIN PAN	61803800	1	1	1	1	1	1	1	1	1	1	1	1	1	1	1	840
*	BELLOWS, DRAIN VALVE	60179903															1	801
*	GRILLE, REAR	61818500	1	1	1	1	1	1	1	1	1	1	1	1	1	1	1	771
28	DOOR, SLIDE ASSLY.	61821500	1	1	1	1	1	1	1	1	1	1	1	1	1	1	1	810
*	CONNECTOR, SLIDE DOOR	61814800	1	1	1	1	1	1	1	1	1	1	1	1	1	1	1	811
29	PANEL, CTRL. MT.	61807250	1	1	1	1											1	999
29	PANEL, CTRL. MT.	61807251					1	1	1	1	1	1	1	1	1			999
30	BRACKET, CAP. MT	61820400	1	1	1	1	1	1	1	1	1	1	1	1	1	1	1	999
*	PANEL, L/S	61937200	1	1	1	1	1	1	1	1	1	1	1	1	1	1	1	999
31	PARTITION, CTRL. BOX	61802800	1	1	1	1	1	1	1	1	1	1	1	1	1	1	1	999
32	DECORATIVE PANEL	61822658	1	1	1	1												999
32	DECORATIVE PANEL	61823360															1	999
33	KNOBS, CTRL.	61493915	2	2	2	2											2	761
*	HOLDER, THERMISTER	61925001					1	1	1	1	1	1	1	1	1			764
*	HOLDER, AIR FILTER	60865900	2	2	2	2	2	2	2	2	2	2	2	2	2	2	2	756
*	FILTER, AIR	60865808	1	1	1	1	1	1	1	1	1	1	1	1	1	1	1	754
*	CLAMP, SUPPLY CORD	91500306	2	2	2	2	2	2	2	2	2	2	2	2	2	2	2	999
*	BRACKET, RESISTO BLOCK	61820600	1	1	1	1											1	999
34	GROMMET, COMPRESSOR	61028900	3	3	3	3	3	3	3	3	3	3	3	3	3	3	3	790
35	SCREW, COMPRESSOR MT.	91400400	3	3	3	3	3	3	3	3	3	3	3	3	3	3	3	999
*	COUNTER WEIGHT	61715800	3	3	3	3	3	3	3	3	3	3	3	3	3	3	3	999
36	PLENUM ASSLY.	61810206	1	1	1	1	1	1	1	1	1	1	1	1	1	1	1	753

* PARTS NOT SHOWN

SMALL CHASSIS "S" SERIES - 115V

REF	DESCRIPTION	PART NO.	KS				SS								YS		CODE
			KS12L10-E	KS12L10-F	KS15L10-C	KS15L10-D	SS08L10-E	SS08L10-F	SS08L10-H	SS10L10-D	SS10L10-E	SS12L10-E	SS12L10-F	SS14L10-D	SS14L10-E	YS09L10-F	
CHASSIS PARTS																	
37	INTAKE GRILLE	61808906	1	1	1	1	1	1	1	1	1	1	1	1	1	1	772
*	LATCH, INTAKE GRILLE	61989000	2	2	2	2	2	2	2	2	2	2	2	2	2	2	752
38	OUTER SHELL ASSLY	61910100	1	1	1	1	1	1	1	1	1	1	1	1	1	770	
39	SILL PLATE	61808413	1	1	1	1	1	1	1	1	1	1	1	1	1	999	
*	CHASSIS GUIDE, SHELL	61819601	2	2	2	2	2	2	2	2	2	2	2	2	2	999	
*	FRIEDRICH SCRIPT	60169110	1	1	1	1	1	1	1	1	1	1	1	1	1	999	
*	PUSHNUTS, SCRIPT	91002900	2	2	2	2	2	2	2	2	2	2	2	2	2	999	
40	WINGBOARD	60294415	1	1	1	1	1	1	1	1	1	1	1	1		999	
41	BRACKET, SUPPORT	61109513	2	2	2	2	2	2	2	2	2	2	2	2		999	
42	ANGLE, WINGBOARD	61819811	2	2	2	2	2	2	2	2	2	2	2	2		999	
43	ANGLE, TOP	61819711	1	1	1	1	1	1	1	1	1	1	1	1		999	
*	HARDWARE BAG(SCREWS)	60846016	1	1	1	1	1	1	1	1	1	1	1	1		999	
44	GASKET, VINYL	60610304	1	1	1	1	1	1	1	1	1	1	1	1		999	
45	GASKET, CHASSIS.	61717301	1	1	1	1	1	1	1	1	1	1	1	1	1	780	
45	GASKET, WINDOW.	60610304	1	1	1	1	1	1	1	1	1	1	1	1		780	
*	CARTON, SHIPPING	61841922	1	1	1	1	1	1	1	1	1	1	1	1	1	999	
OPTIONAL ACCESSORIES ITEMS																	
*	WINDOW KIT	WIKS													1	1	
*	DRAIN KIT, DC-2	01900235	1	1	1	1	1	1	1	1	1	1	1	1	1	999	
*	START KIT	61008903	1	1	1	1	1	1	1	1	1	1	1	1	1	160	
*	ANTI-ICE KIT	61680600	1	1	1	1	1	1	1	1	1	1	1	1	1	250	

* PARTS NOT SHOWN

SMALL CHASSIS "S" SERIES - 230V

REF	DESCRIPTION	PART NO.	ES				SS				YS		CODE
			ES12L33-D	ES12L33-E	ES16L33-C	ES16L33-D	SS12L30-E	SS12L30-F	SS16L30-D	SS16L30-E	YS13L33-D	YS13L33-E	
	ELECTRICAL PARTS												
1	THERMOSTAT	61828400	1	1	1	1					1	1	120
*	THERMOSTAT, DEFROST	61350314									1	1	122
*	REMOTE CONTROL	61826606					1	1	1	1			399
2	ELECTRONIC CTR.	61921194					1	1	1	1			331
*	OVERLOAD	61764521									1	1	190
*	OVERLOAD	61764556			1	1			1	1			190
*	OVERLOAD	61764540	1	1			1	1					190
3	RESISTOR	61808001	1	1	1	1					1	1	200
4	CAPACITOR	61080534			1	1			1	1			150
4	CAPACITOR	61080536	1	1			1	1			1	1	150
5	SUPPLY CORD	60500323	1	1	1	1					1	1	220
5	SUPPLY CORD	60500322					1	1	1	1			220
6	SWITCH, SYS. 8 POS.	60607204	1	1	1	1					1	1	130
7	SWITCH (YES - NO)	61806105	1	1	1	1					1	1	132
8	FAN MOTOR	61871441	1	1	1	1	1	1	1	1	1	1	110
*	SOLENOID	25063605									1	1	240
8A	HEATER	61878610	1	1	1	1					1	1	210
REF	DESCRIPTION	PART NO.	ES				SS				YS		CODE
	REFRIGERATION PARTS		ES12L33-D	ES12L33-E	ES16L33-C	ES16L33-D	SS12L30-E	SS12L30-F	SS16L30-D	SS16L30-E	YS13L33-D	YS13L33-E	
9	COMPRESSOR	61716628									1	1	600
9	COMPRESSOR	61716645	1	1			1	1					600
9	COMPRESSOR	62199704			1	1			1	1			600
10	EVAPORATOR COIL	61850100	1				1				1		400
10	EVAPORATOR COIL	61850117		1				1				1	400
10	EVAPORATOR COIL	62050006				1			1				400
10	EVAPORATOR COIL	62050022			1				1				400
11	CONDENSER COIL	61850306											410
11	CONDENSER COIL	62050303	1		1		1		1				410
11	CONDENSER COIL	62050304		1		1		1		1			410
11	CONDENSER COIL	62050312									1		410
11	CONDENSER COIL	62050321										1	410
*	DRIER, LIQUID	60308101	1	1	1	1	1	1	1	1			480
*	DRIER, SUCTION	61828200									1	1	480
*	CHECK VALVE	61824404									1	1	510
*	REVERSING VALVE	25018305									1	1	500
*	CAPILLARY TUBE	03760543									1	1	471
*	CAPILLARY TUBE	03760545									1	1	471
*	CAPILLARY TUBE	03760473	1	1			1	1					471
*	CAPILLARY TUBE	01390005			1	1			1	1			471

* PARTS NOT SHOWN

SMALL CHASSIS "S" SERIES - 230V

REF	DESCRIPTION	PART NO.	ES				SS				YS		CODE
			ES12L33-D	ES12L33-E	ES16L33-C	ES16L33-D	SS12L30-E	SS12L30-F	SS16L30-D	SS16L30-E	YS13L33-D	YS13L33-E	
	CHASSIS PARTS												
12	SHROUD, CONDENSER	61803601	1	1	1	1	1	1	1	1	1	1	720
13	FAN BLADE	60542003	1	1	1	1	1	1	1	1	1	1	710
14	BLOWER WHEEL	60610603									1	1	700
14	BLOWER WHEEL	60610616	1	1	1	1	1	1	1	1			700
15	BRACE, COND. SHROUD	61802600	3	3	3	3	3	3	3	3	3	3	722
16	SCROLL	61814905	1	1	1	1	1	1	1	1	1	1	743
17	BLOWER FRONT	61817300	1	1	1	1	1	1	1	1	1	1	742
18	INNER WALL	61907300	1	1	1	1	1	1	1	1	1	1	777
19	COVER, TOP	61906700	1	1	1	1	1	1	1	1	1	1	746
20	INSULATION, TOP COVER	61816701	1	1	1	1	1	1	1	1	1	1	781
21	DECK	61817100	1	1	1	1	1	1	1	1	1	1	745
22	AIR FOIL	61820200	1	1	1	1	1	1	1	1	1	1	744
23	MOUNT, FAN MOTOR	61802500	1	1	1	1	1	1	1	1	1	1	900
25	BRACKET, HEATER MT.	61818900	1	1	1	1					1	1	999
27	BASE PAN	61809015	1	1	1	1							730
27	BASE PAN	61803441					1	1	1	1			730
27	BASE PAN	61809013									1	1	730
*	DRAIN PAN	61803800	1	1	1	1	1	1	1	1	1	1	840
*	BELLOWS, DRAIN VALVE	60179903	1	1	1	1					1	1	801
*	GRILLE, REAR	61818500	1	1	1	1	1	1	1	1	1	1	771
28	DOOR, SLIDE ASSLY.	61821500	1	1	1	1	1	1	1	1	1	1	810
*	CONNECTOR, SLIDE DOOR	61814800	1	1	1	1	1	1	1	1	1	1	811
29	PANEL, CTRL. MT.	61807251					1	1	1	1			999
29	PANEL, CTRL. MT.	61807250	1	1	1	1					1	1	999
30	BRACKET, CAP. MT	61820400	1	1	1	1	1	1	1	1	1	1	999
*	PANEL, L/S	61937200	1	1	1	1	1	1	1	1	1	1	999
31	PARTITION, CTRL. BOX	61802800					1	1	1	1			999
31	PARTITION, CTRL. BOX	61802801	1	1	1	1					1	1	999
32	DECORATIVE PANEL	61823360	1	1	1	1					1	1	999
33	KNOBS, CTRL.	61493915	2	2	2	2					2	2	761
*	HOLDER, THERMISTER	61925001					1	1	1	1			764
*	HOLDER, AIR FILTER	60865900	2	2	2	2	2	2	2	2	2	2	756
*	FILTER, AIR	60865808	1	1	1	1	1	1	1	1	1	1	754
*	CLAMP, SUPPLY CORD	91500306	2	2	2	2	2	2	2	2	2	2	999
*	BRACKET, RESISTO BLOCK	61820600	1	1	1	1					1	1	999
34	GROMMET, COMPRESSOR	61028900	3	3	3	3	3	3	3	3	3	3	790
35	SCREW, COMPRESSOR MT.	91400400	3	3	3	3	3	3	3	3	3	3	999
36	PLENUM ASSLY.	61810206	1	1	1	1	1	1	1	1	1	1	753

* PARTS NOT SHOWN

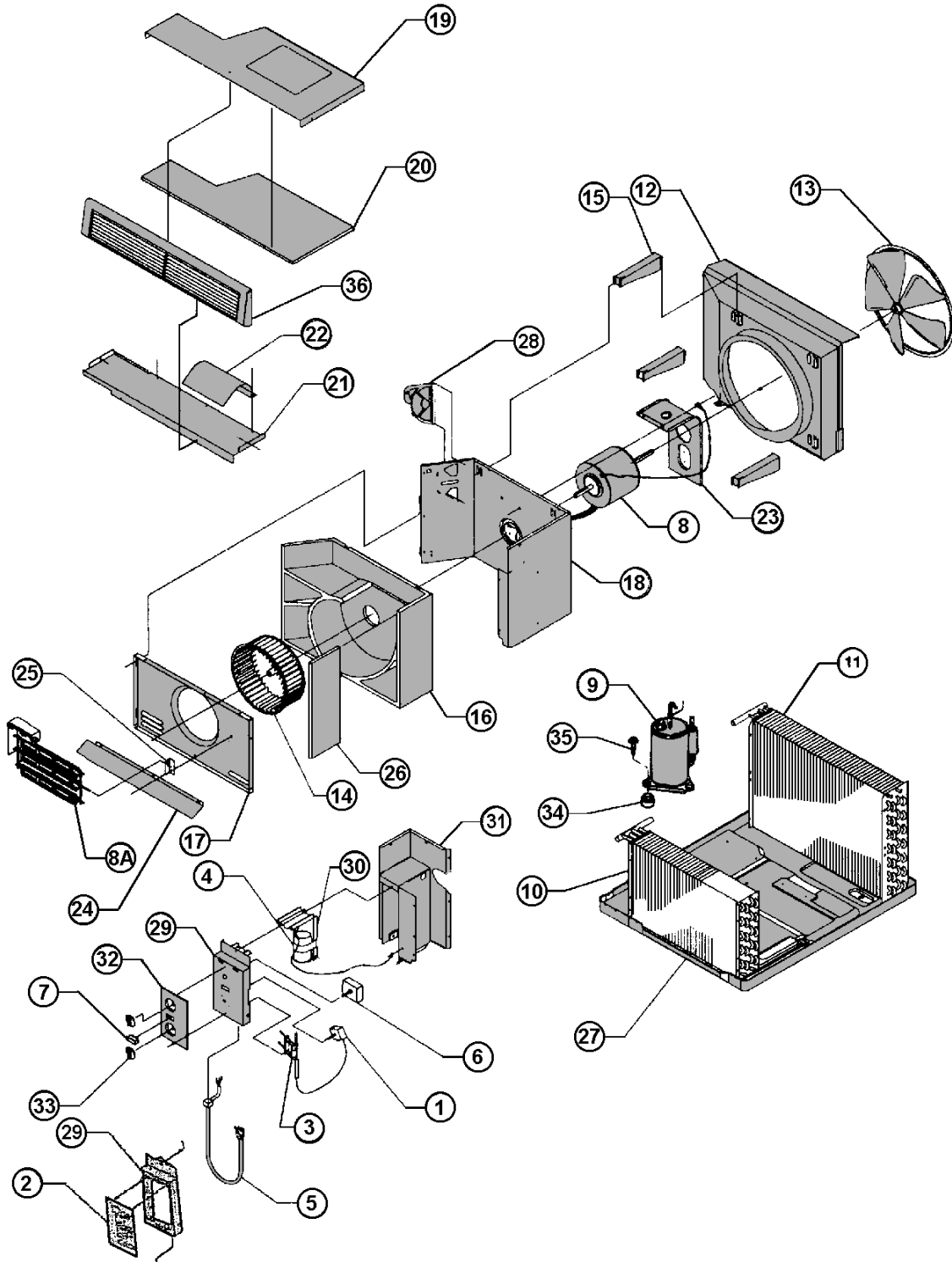
SMALL CHASSIS "S" SERIES - 230V

REF	DESCRIPTION	PART NO.	ES				SS				YS		CODE
			ES12L33-D	ES12L33-E	ES16L33-C	ES16L33-D	SS12L30-E	SS12L30-F	SS16L30-D	SS16L30-E	YS13L33-D	YS13L33-E	
	CHASSIS PARTS												
37	INTAKE GRILLE	61808906	1	1	1	1	1	1	1	1	1	1	772
*	LATCH, INTAKE GRILLE	61989000	2	2	2	2	2	2	2	2	2	2	752
38	OUTER SHELL ASSLY	61910100	1	1	1	1	1	1	1	1	1	1	770
39	SILL PLATE	61808413	1	1	1	1	1	1	1	1	1	1	999
*	CHASSIS GUIDE, SHELL	61819601	2	2	2	2	2	2	2	2	2	2	999
*	FRIEDRICH SCRIPT	60169110	1	1	1	1	1	1	1	1	1	1	999
*	PUSHNUTS, SCRIPT	91002900	2	2	2	2	2	2	2	2	2	2	999
40	WINGBOARD	60294415					1	1	1	1			999
41	BRACKET, SUPPORT	61109513					2	2	2	2			999
42	ANGLE, WINGBOARD	61819811					2	2	2	2			999
43	ANGLE, TOP	61819711					1	1	1	1			999
44	GASKET, VINYL	60610304					1	1	1	1			780
*	HARDWARE BAG(SCREWS)	60846017	1	1	1	1					1	1	999
*	HARDWARE BAG(SCREWS)	60846016					1	1	1	1			999
45	GASKET, CHASSIS	61717301	1	1	1	1	1	1	1	1	1	1	780
45	GASKET, WINDOW	60610304					1	1	1	1			780
*	CARTON, SHIPPING	61841922	1	1	1	1	1	1	1	1	1	1	999
OPTIONAL ACCESSORY ITEMS													
*	WINDOW KIT	WIKS	1	1	1	1					1	1	
*	DRAIN KIT, DC-2	01900235	1	1	1	1	1	1	1	1	1	1	999
*	START KIT	61008903	1	1	1	1	1	1	1	1	1	1	160

* PARTS NOT SHOWN

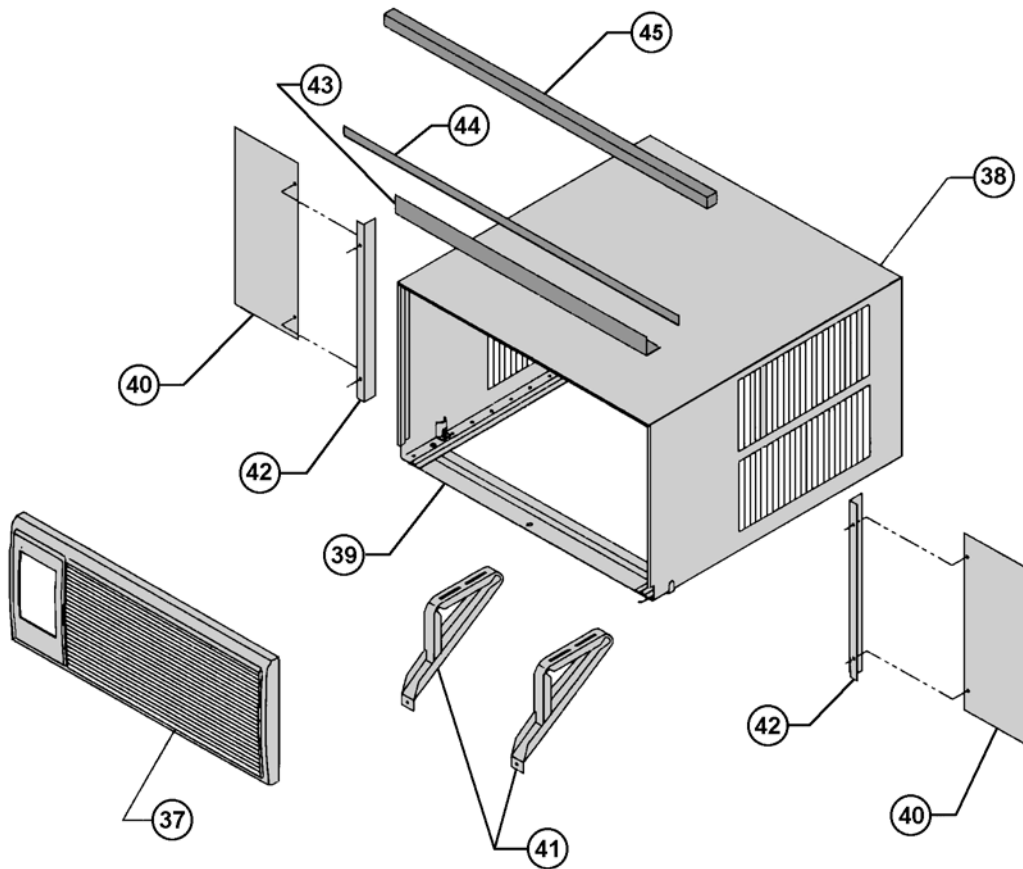
MEDIUM CHASSIS "M" SERIES

CHASSIS PARTS (EM, KM, SM, & YM)



MEDIUM CHASSIS "M" SERIES

CABINET & MOUNTING PARTS (EM, KM, SM, YM)



MEDIUM CHASSIS "M" SERIES

REF	DESCRIPTION	PART NO.	EM		KM				SM						YM		CODE
			EM18L34-C	EM24L34-B	KM18L30-C	KM18L30-D	KM24L30-C	KM24L30-D	SM18L30A-D	SM18L30A-E	SM21L30-E	SM21L30-F	SM24L30-C	SM24L30-D	YM18L34-D	YM18L34-E	
	ELECTRICAL PARTS																
1	THERMOSTAT	61828500			1	1	1	1									120
1	THERMOSTAT	61828400	1	1											1	1	120
*	THERMOSTAT, DEF.	61350314													1	1	122
2	ELECTRONIC BOARD	61921194						1	1	1	1	1	1				331
*	REMOTE CONTROL	61826606						1	1	1	1	1	1				350
*	OVERLOAD	61764522													1	1	190
*	OVERLOAD	61764556						1	1								190
*	OVERLOAD	61764557	1		1	1											190
3	RESISTOR	61808001	1	1	1	1	1	1							1	1	200
4	CAPACITOR	61080557								1	1						150
4	CAPACITOR	61080529		1			1	1					1	1	1	1	150
4	CAPACITOR	61080534	1		1	1			1	1							150
5	SUPPLY CORD	60500371	1	1											1	1	220
5	SUPPLY CORD	60500322			1	1		1	1	1	1						220
5	SUPPLY CORD	60500323					1	1				1	1				220
6	SWITCH SYS. 8 POS.	60607204	1	1											1	1	130
6	SWITCH SYS. 6 POS.	60607205			1	1	1	1									130
7	SWITCH (YES - NO)	61806105	1	1	1	1	1	1							1	1	132
8	FAN MOTOR	61871432	1	1	1	1	1	1	1	1	1	1	1	1	1	1	110
*	SOLENOID COIL	25063605													1	1	240
8A	HEATER	61878611	1	1											1	1	210
	REFRIGERATION PARTS																
			EM18L34-C	EM24L34-B	KM18L30-C	KM18L30-D	KM24L30-C	KM24L30-D	SM18L30A-D	SM18L30A-E	SM21L30-E	SM21L30-F	SM24L30-C	SM24L30-D	YM18L34-D	YM18L34-E	
9	COMPRESSOR	61716652		1			1	1					1	1			600
9	COMPRESSOR	61716651									1	1					600
9	COMPRESSOR	61716663	1		1	1											600
9	COMPRESSOR	62199704						1	1								600
9	COMPRESSOR	61716660													1	1	600
10	EVAPORATOR COIL	61850014	1		1												400
10	EVAPORATOR COIL	61850025				1											400
10	EVAPORATOR COIL	62050019					1	1	1	1		1		1			400
10	EVAPORATOR COIL	62050025		1				1	1		1		1		1		400
11	CONDENSER COIL	62050215					1		1				1				410
11	CONDENSER COIL	61850200	1		1						1	1					410
11	CONDENSER COIL	61850205													1	1	410
11	CONDENSER COIL	61850232				1											410
11	CONDENSER COIL	62050216		1				1	1					1			410
*	DRIER, LIQUID	60308101	1	1	1	1	1	1	1	1	1	1	1	1			480
*	DRIER, SUCTION	61828200													1	1	480
*	CHECK VALVE	61824404													1	1	471
*	REVERSING VALVE	25018705													1	1	500
*	CAPILLARY TUBE	03760479															471
*	CAPILLARY TUBE	01389975	1		1	1											471
*	CAPILLARY TUBE	03760545						3	3						1	1	471
*	CAPILLARY TUBE	03760511													1	1	471
*	CAPILLARY TUBE	03760452		3			3	3			3	3	3	3			471

* PARTS NOT SHOWN

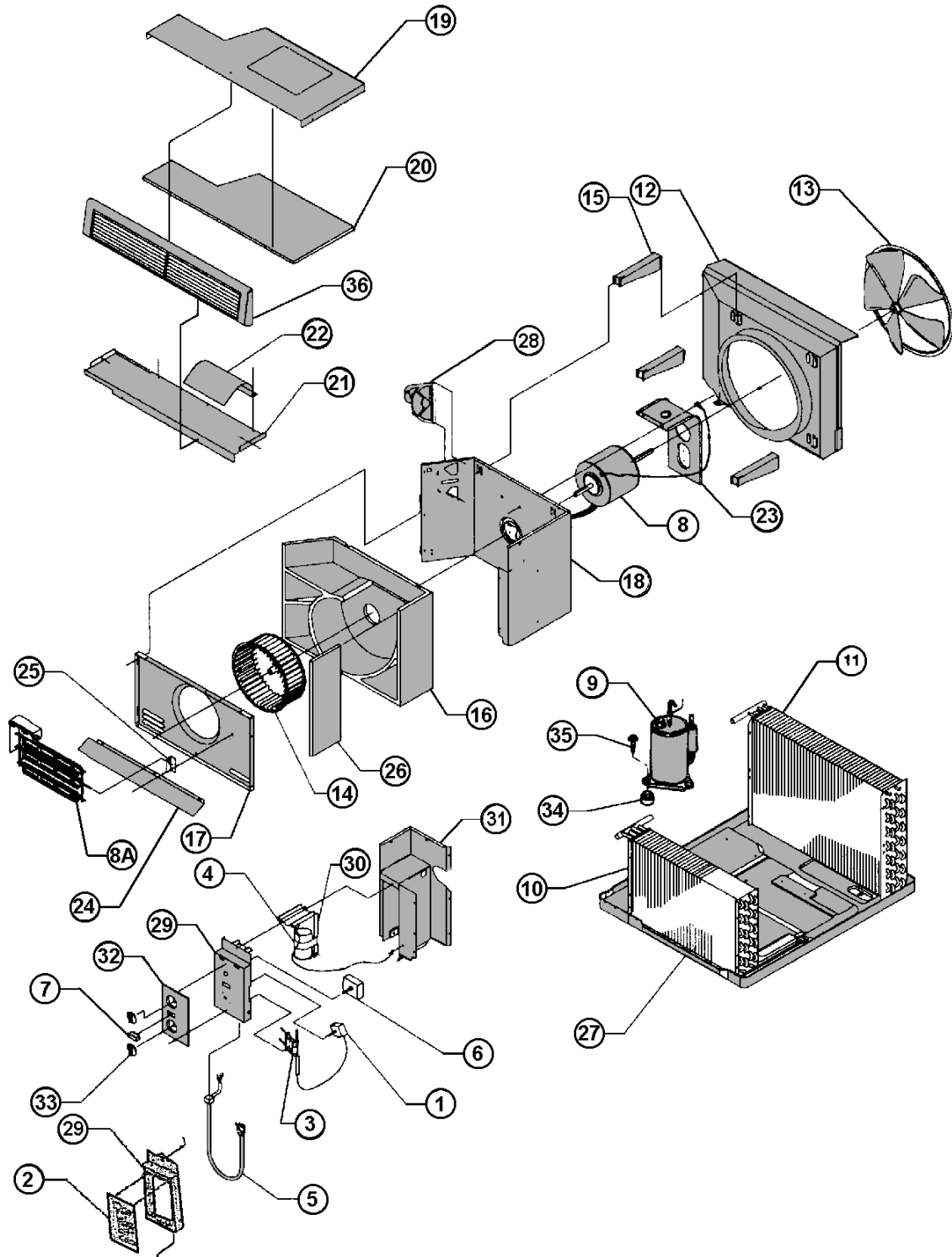
MEDIUM CHASSIS "M" SERIES PARTS LIST

REF	DESCRIPTION	PART NO.	EM		KM			SM						YM		CODE	
			EM18L34-C	EM24L34-B	KM18L30-C	KM18L30-D	KM24L30-C	KM24L30-D	SM18L30A-D	SM18L30A-E	SM21L30-E	SM21L30-F	SM24L30-C	SM24L30-D	YM18L34-D		YM18L34-E
	CHASSIS PARTS																
12	SHROUD, CONDENSER	61804901	1	1	1	1	1	1	1	1	1	1	1	1	1	1	720
13	FAN BLADE, COND.	60542004	1	1	1	1	1	1	1	1	1	1	1	1	1	1	710
14	BLOWER WHEEL, EVAP.	60610617	1		1	1				1	1	1	1				700
14	BLOWER WHEEL, EVAP.	60610618		1			1	1					1	1	1	1	700
15	BRACE, COND.SHROUD	61802600	3	3	3	3	3	3	3	3	3	3	3	3	3	3	722
16	SCROLL	61817505	1	1	1	1	1	1	1	1	1	1	1	1	1	1	743
17	BLOWER FRONT	61817400	1	1	1	1	1	1	1	1	1	1	1	1	1	1	742
18	INNER WALL	61907200	1	1	1	1	1	1	1	1	1	1	1	1	1	1	777
19	COVER, TOP	61906700	1	1	1	1	1	1	1	1	1	1	1	1	1	1	746
20	INSULATION, TOP COVER	61816701	1	1	1	1	1	1	1	1	1	1	1	1	1	1	781
21	DECK	61817100	1	1	1	1	1	1	1	1	1	1	1	1	1	1	745
22	AIR FOIL	61820200	1	1	1	1	1	1	1	1	1	1	1	1	1	1	744
23	MOUNT, FAN MOTOR	61804100	1	1	1	1	1	1	1	1	1	1	1	1	1	1	900
25	BRACKET, HTR	61818900	1	1											1	1	730
27	BASE PAN	61809015	1	1											1	1	730
27	BASE PAN	61803441			1	1	1	1	1	1	1	1	1	1			730
*	BELLOWS, DRAIN VALVE	60179903	1	1											1	1	801
*	DRAIN PAN, EVAP.	61803800	1	1	1	1	1	1	1	1	1	1	1	1	1	1	840
*	GRILLE, REAR	61818501	1	1	1	1	1	1	1	1	1	1	1	1	1	1	771
28	DOOR, SLIDE ASY	61821500	1	1	1	1	1	1	1	1	1	1	1	1	1	1	810
*	CONNECTOR SLIDE ASY	61814800	1	1	1	1	1	1	1	1	1	1	1	1	1	1	811
*	WIRE CLIP, SLIDE ASSY	60301800	2	2	2	2	2	2	2	2	2	2	2	2	2	2	999
29	PANEL, CTRL. MOUNT	61811050	1	1	1	1	1	1							1	1	999
29	PANEL, CTRL. MOUNT	61811051							1	1	1	1	1	1			999
30	BRACKET, CAP. MOUNT	61820400	1	1	1	1	1	1	1	1	1	1	1	1	1	1	999
31	PARTITION, CTRL. BOX	61804301	1	1											1	1	999
31	PARTITION, CTRL. BOX	61804300			1	1	1	1	1	1	1	1	1	1			999
32	DECORATIVE PANEL	61823360	1	1											1	1	999
32	DECORATIVE PANEL	61822658			1	1	1	1									999
33	KNOBS, CRTL.	61493915	2	2	2	2	2	2							2	2	761
*	BRACKET,RESISTOR BLK	61820600	1	1	1	1	1	1							1	1	999
*	HOLDER, THERMISTOR	61925001							1	1	1	1	1	1			764
*	HOLDER, AIR FILTER	60865900	2	2	2	2	2	2	2	2	2	2	2	2	2	2	756
*	FILTER, AIR	60865809	1	1	1	1	1	1	1	1	1	1	1	1	1	1	754
*	CLAMP, SUPPLY CORD	91500308	2	2											2	2	999
*	CLAMP, SUPPLY CORD	91500306			2	2	2	2	2	2	2	2	2	2			999
34	GROMMET, COMP.	61028900	3		3	3			3	3	3	3			3	3	790
34	GROMMET, COMP.	01150934		3			3	3					3	3			790
35	SCREW, COMP.	91400400	3	3	3	3	3	3	3	3	3	3	3	3	3	3	999
36	PLENIUM ASLY.	61810206	1	1	1	1	1	1	1	1	1	1	1	1	1	1	753
37	GRILLE, INTAKE	61811111	1	1	1	1	1	1	1	1	1	1	1	1	1	1	772
*	LATCH, GRILLE INTAKE	61989000	2	2	2	2	2	2	2	2	2	2	2	2	2	2	999
38	OUTER SHELL	61910100	1	1	1	1	1	1	1	1	1	1	1	1	1	1	770
39	SILL PLATE	61808413	1	1	1	1	1	1	1	1	1	1	1	1	1	1	999
*	CHASSIS GUIDE, SHELL	61819601	2	2	2	2	2	2	2	2	2	2	2	2	2	2	999
*	CHASSIS RETAINER	61826400	1	1	1	1	1	1	1	1	1	1	1	1	1	1	999
*	FRIEDRICH SCRIPT	60169110	1	1	1	1	1	1	1	1	1	1	1	1	1	1	999
*	PUSHNUTS, SCRIPT	91002900	2	2	2	2	2	2	2	2	2	2	2	2	2	2	999
40	WINGBOARD	60294420			1	1	1	1	1	1	1	1	1	1			999
41	BRACKET, SUPPORT	61109513			2	2	2	2	2	2	2	2	2	2			999
42	ANGLE, WINGBOARDS	61819813			2	2	2	2	2	2	2	2	2	2			999
43	ANGLE, TOP SUPPORT	61819711			1	1	1	1	1	1	1	1	1	1			999
44	GAASKET, VINYL	60610304			1	1	1	1	1	1	1	1	1	1			780
*	HARDWARE (SCREWS)	60846017	1	1											1	1	999
*	HARDWARE (SCREWS)	60846016			1	1	1	1	1	1	1	1	1	1			999
45	GASKET, CHASSIS	61717301	1	1	1	1	1	1	1	1	1	1	1	1	1	1	780
45	GASKET, WINDOW	60073300			1	1	1	1	1	1	1	1	1	1			780
*	CARTON, SHIPPING	61841923	1	1	1	1	1	1	1	1	1	1	1	1	1	1	999
OPTIONAL ACCESSORY ITEMS																	
*	WINDOW INSTALLATION KIT	WIKM	1	1											1	1	
*	DRAIN KIT, DC-2	01900235	1	1	1	1	1	1	1	1	1	1	1	1	1	1	
*	START KIT	61008903	1	1	1	1	1	1	1	1	1	1	1	1	1	1	

* PARTS NOT SHOWN

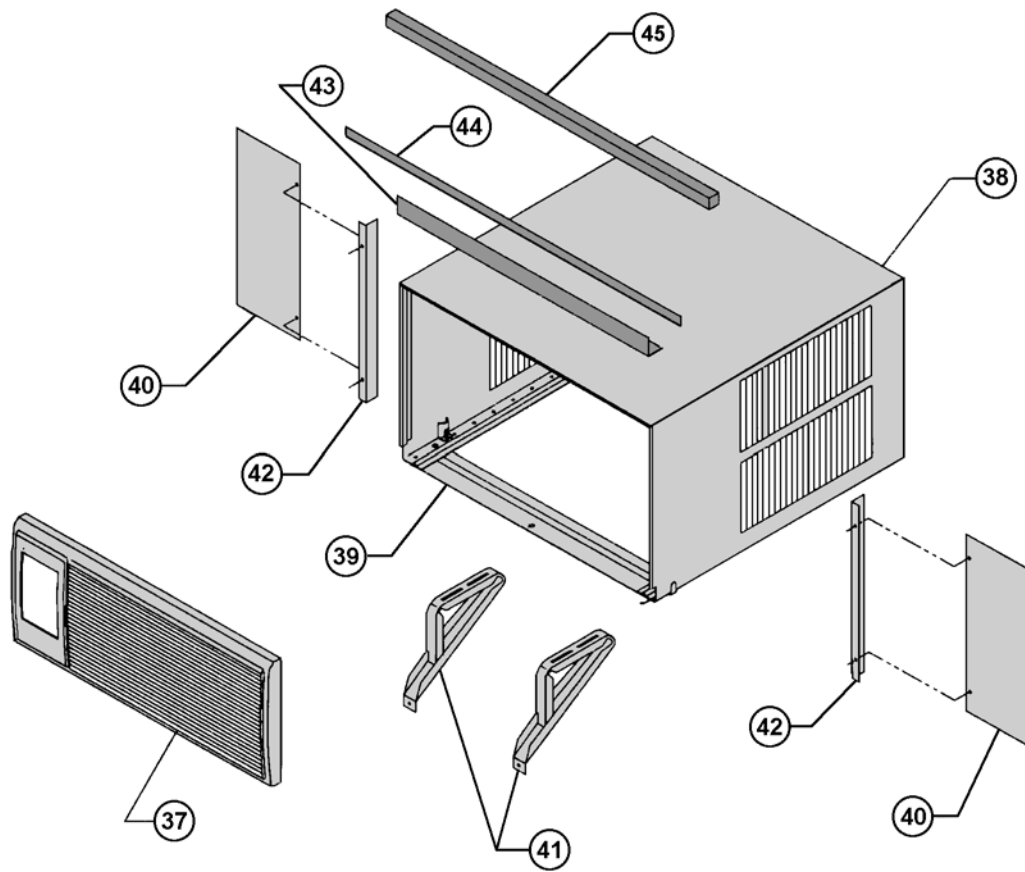
LARGE CHASSIS "L" SERIES

CHASSIS PARTS (SL, EL, & YL)



LARGE CHASSIS "L" SERIES

CABINET & MOUNTING PARTS (SL, EL, & YL)



LARGE CHASSIS "L" SERIES

REF	DESCRIPTION	PART NO.	SL				EL		YL		CODE
			SL28L30-D	SL28L30-E	SL36L30A-D	SL36L30A-E	EL36L35A-D	EL36L35A-E	YL24L35-E	YL24L35-F	
ELECTRICAL PARTS											
1	THERMOSTAT	61828500	1	1	1	1					120
1	THERMOSTAT	61828400					1	1	1	1	120
*	THERMOSTAT, DEF.	61350314							1	1	122
3	RESISTOR	61808001	1	1	1	1	1	1	1	1	200
4	CAPACITOR	61080529							1	1	150
4	CAPACITOR	61080557	1	1							150
4	CAPACITOR	61080527			1	1	1	1			150
5	SUPPLY CORD	60500323	1	1							220
5	SUPPLY CORD	60500371			1	1	1	1	1	1	220
6	SWITCH SYS. 5 POS.	60607203	1	1	1	1					130
6	SWITCH SYS. 8 POS.	60607204					1	1	1	1	130
7	SWITCH (YES - NO)	61806105	1	1	1	1	1	1	1	1	132
8	FAN MOTOR	61871446			1	1	1	1			110
8	FAN MOTOR	61871447	1	1					1	1	110
*	SOLENOID	25063605							1	1	240
8A	HEATER	61878612					1	1	1	1	210
*	COMPRESSOR HARNESS	61821409	1	1					1	1	270
*	COMPRESSOR HARNESS	61821405			1	1	1	1			270
REFRIGERATION PARTS											
9	COMPRESSOR	61716652							1	1	600
9	COMPRESSOR	61716650	1	1							600
9	COMPRESSOR	61716669			1	1	1	1			600
10	EVAPORATOR COIL	62050001	1		1		1	1	1		400
10	EVAPORATOR COIL	62050004		1		1		1		1	400
11	CONDENSER COIL	61850223			1		1				410
11	CONDENSER COIL	61850225	1								410
11	CONDENSER COIL	61850229								1	410
11	CONDENSER COIL	61850230		1							410
11	CONDENSER COIL	61850231				1		1			410
11	CONDENSER COIL	61850203						1			410
*	DRIER, LIQUID	60308101	1	1	1	1	1	1			480
*	DRIER, SUCTION	61828200							1	1	480
*	Drier/Ck Valve/ Cap Tube	92500001							1	1	480
*	REVERSING VALVE	25018705							1	1	240
*	REVERSING VALVE and SOLENOID	25022032							1	1	500
*	CAPILLARY TUBE (HEAT)	01389985							1	1	471
*	CAPILLARY TUBE (COOL)	03760518							1	1	471
*	CAPILLARY TUBE	01390005	2	2	2	2	2	2			471

* PARTS NOT SHOWN

LARGE CHASSIS "L" SERIES

REF	DESCRIPTION	PART NO.	SL				EL		YL		CODE
			SL28L30-D	SL28L30-E	SL36L30A-D	SL36L30A-E	EL36L35A-D	EL36L35A-E	YL24L35-E	YL24L35-F	
CHASSIS PARTS											
12	SHROUD, W/SUMP LRG	61807702	1	1	1	1	1	1	1	1	720
13	FAN BLADE, COND.	60542007	1	1	1	1	1	1	1	1	710
14	BLOWER WHEEL, EVAP.	60610620	1	1					1	1	700
14	BLOWER WHEEL, EVAP.	60610619			1	1	1	1			700
15	BRACE, COND.SHROUD	61810000	3	3	3	3	3	3	3	3	722
16	SCROLL	61818100	1	1	1	1	1	1	1	1	743
17	BLOWER FRONT	61817800	1	1	1	1	1	1	1	1	742
18	INNER WALL	61907100	1	1	1	1	1	1	1	1	777
19	COVER, TOP	61906600	1	1	1	1	1	1	1	1	746
20	INSULATION, TOP COVER	61818201	1	1	1	1	1	1	1	1	781
21	DECK	61818000	1	1	1	1	1	1	1	1	745
22	AIR FOIL	61820201	1	1	1	1	1	1	1	1	744
23	MOUNT, FAN MOTOR	61806700	1	1	1	1	1	1	1	1	900
25	BRACKET, HTR	61818900					1	1	1	1	999
27	BASE PAN	61807111			1	1					730
27	BASE PAN	61807114	1	1							730
27	BASE PAN	61809513							1	1	730
27	BASE PAN	61809511					1	1			730
*	BELLOWS, DRAIN VALVE	60179903					1	1	1	1	801
*	DRAIN PAN, EVAP.	61807400	1	1	1	1	1	1	1	1	840
*	GRILLE, REAR	61818502	1	1	1	1	1	1	1	1	771
28	DOOR, SLIDE ASY	61821500	1	1	1	1	1	1	1	1	810
29	PANEL, CTRL. MOUNT	61806950	1	1	1	1	1	1	1	1	999
30	BRACKET, CAP. MOUNT	61820400	1	1	1	1	1	1	1	1	999
31	PARTITION, CTRL. BOX	61807000	1	1	1	1					999
31	PARTITION, CTRL. BOX	61807001					1	1	1	1	999
32	DECORATIVE PANEL	61822655	1	1	1	1					999
32	DECORATIVE PANEL	61823360					1	1	1	1	999
33	KNOBS, CRTL.	61493915	2	2	2	2	2	2	2	2	761
*	BRACKET,RESISTOR BLK	61820600	1	1	1	1	1	1	1	1	999
*	HOLDER, AIR FILTER	60865900	2	2	2	2	2	2	2	2	756
*	FILTER, AIR	60865810	1	1	1	1	1	1	1	1	754
*	CLAMP, SUPPLY CORD	91500306	2	2							999
*	CLAMP, SUPPLY CORD	91500308			2	2	2	2	2	2	999
34	GROMMET, COMP.	01150934	3	3	3	3	3	3	3	3	790
35	SCREW, COMP.	91400400	3	3	3	3	3	3	3	3	999
36	PLENUM ASLY.	61810506	1	1	1	1	1	1	1	1	753
37	GRILLE, INTAKE	61810406	1	1	1	1	1	1	1	1	772
*	LATCH, GRILLE INTAKE. METAL	61989000	2	2	2	2	2	2	2	2	772
38	OUTER SHELL	61910100	1	1	1	1	1	1	1	1	770
39	SILL PLATE	61808411	1	1	1	1	1	1	1	1	999
*	CHASSIS GUIDE, SHELL	61819601	2	2	2	2	2	2	2	2	999
*	FRIEDRICH SCRIPT	60169110	1	1	1	1	1	1	1	1	999
*	PUSHNUTS, SCRIPT	91002900	2	2	2	2	2	2	2	2	999
40	WINGBOARD	60294425	1	1	1	1					999
*	HARDWARE (SCREWS)	60846016	1	1	1	1					999
*	HARDWARE (SCREWS)	60846017					1	1	1	1	999
41	BRACKET, SUPPORT	61109513	2	2	2	2					999
42	ANGLE, WINGBOARDS	61819815	2	2	2	2					999
43	ANGLE, TOP SUPPORT	61819713	1	1	1	1					999
44	GASKET, VINYL	60610304	1	1	1	1					780
45	GASKET, CHASSIS	61717301	1	1	1	1	1	1	1	1	780
45	GASKET, WINDOW	60073300	1	1	1	1					780
OPTIONAL ACCESSORIES											
*	WINDOW INSTALLATION KIT	WIKL					1	1	1	1	
*	DRAIN KIT, DC-2	01900235	1	1	1	1	1	1	1	1	
*	HARD START KIT	61840900	1	1	1	1	1	1	1	1	

* PARTS NOT SHOWN

Use Factory-Certified Parts.

Friedrich

FRIEDRICH AIR CONDITIONING CO.

Post Office Box 1540 · San Antonio, Texas 78295-1540

4200 N. Pan Am Expressway · San Antonio, Texas 78218-5212

(210) 357-4400 · FAX (210) 357-4480

www.friedrich.com

Printed in the U.S.A.