

FRIGIDAIRE

GALLERY



Dishwashers

FGHD2461K W/B

24" Built-In



Signature Features



Quietest Dishwasher in Its Class¹

A quiet performance every time.



Effortless™ Dry

Get the best drying performance in its class² with Effortless™ Dry.



SpaceWise™ Organization System

Our SpaceWise™ Organization system features adjustable racks and the Largest Silverware Basket³ so there's a place for virtually anything.



Largest Silverware Basket³

There's room for over 180 items in our multicompartiment silverware basket.

Effortless Performance

DishSense™ Technology
7 Wash Cycles Including -
Energy Saver Plus
Quick Clean
Top Rack Only Wash
Low-Rinse Aid Indicator
AquaSurge™ Technology
5 Wash Levels

Performance-Driven Style

Express-Select™ Controls
Stay-Put Door
Fully-Integrated Control Panel with Digital Display
Tall Tub Design
GraniteGrey™ Interior

SpaceWise™ Design

Adjustable Upper Rack -
Fold-Down Tines
2 Cup Shelves
Stemware Holders
Utensil Trays
Lower Rack -
2 Full Rows Fold-Down Tines

More Easy-To-Use Features

Delay Start (1-24 Hours)
Hi-Temp Wash Option
Heat /No Heat Dry
China Crystal Cycle
Removable Stainless Steel Filter
Stainless Steel Food Disposer
Controls Lock

ENERGY STAR®
NSF® International
Certification



NSF Protocol for Sanitization and Cleaning Performance of Household Spray-Type Dishwashers (1997)

Overall Exterior Dimensions

Height	33-1/2" - 35"
Width	24"
Depth	25"

Available in:



White
(W)

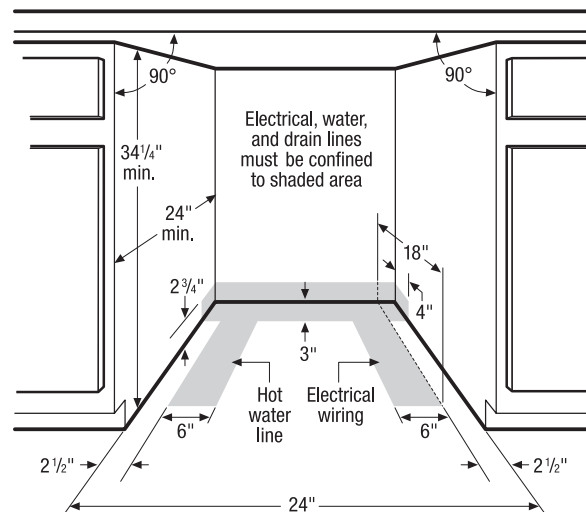
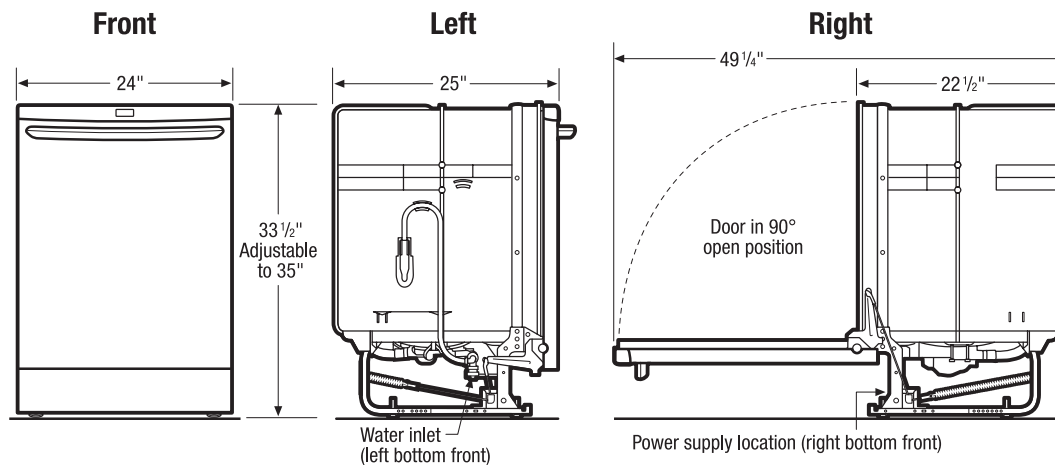


Black
(B)

¹Based on published manufacturer specifications for plastic interior dishwashers

²Based on industry standard dryability testing using Effortless™ Dry; plastic interior dishwashers.

³Among leading brands.



Dishwasher Specifications

- Product Shipping Weight (approx.) - 83 Lbs.
- Voltage Rating - 120V/60 Hz/15 Amps (*maximum 20 Amps if connected with disposer*)
- Connected Load (kW Rating) @ 120 Volts = 1.44 kW (For use on adequately wired 120V, dedicated circuit having 2-wire service with a separate ground wire. Appliance must be grounded for safe operation.)
- Amps @ 120V = 10 Amps
- Always consult local and national electric & plumbing codes.
- Water Pressure - Hot water line to dishwasher must provide between 20 and 120 pounds per square inch (psi).
- Make sure location has right drain, water and electrical outlets to make connections.
- Keep back free of drain, water & electrical supply.

- Electrical and water supplies should enter cabinet opening on floor, or through back or side walls, as shown in shaded areas.
- Connections preferably located toward left side of dishwasher. Do not cross drain, water or electrical lines in front of motor, blower or frame.
- When installing adjacent to wall, cabinet or other obstruction that extends beyond front edge of unit, allow 2" minimum clearance between opened door and obstruction.
- When installing at end of cabinet line, sides must be fully enclosed.
- Do not install unit under a cooktop, damage will occur.

Note: For planning purposes only. Refer to Product Installation Guide on the web at frigidaire.com for detailed instructions.