

ZSC1201NSS/ZSC1202NSS

GE Monogram® Built-In Advantium® 120 Oven

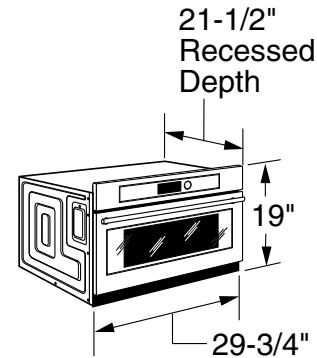
Dimensions and Installation Information (in inches)

Installation Flexibility

The Monogram Advantium 120 built-in oven can be installed directly into a wall, or a 30" wide wall oven cabinet. Install it alone, with a wall oven, a microwave oven or a warming drawer.

- This oven may be installed below a cooktop or below a countertop
- Two Advantium 120 ovens may be installed side-by-side
- Two Advantium 120 ovens may be installed, stacked, one over the other

Always refer to each specific product installation instructions for details.

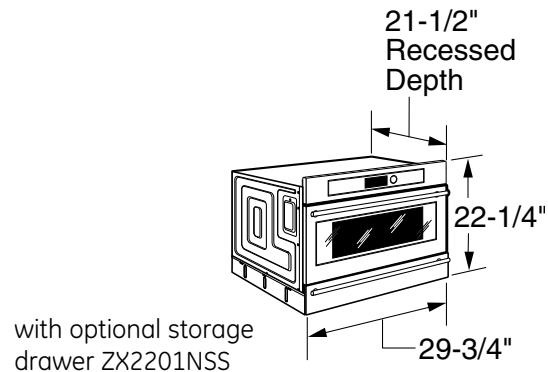


Electrical Requirements

Product rating is 120-volt, 60 Hz, 15 amp circuit and draws 1.8 kilowatts. It must be connected to a supply circuit of the proper voltage and frequency and protected by a time-delay fuse or circuit breaker.

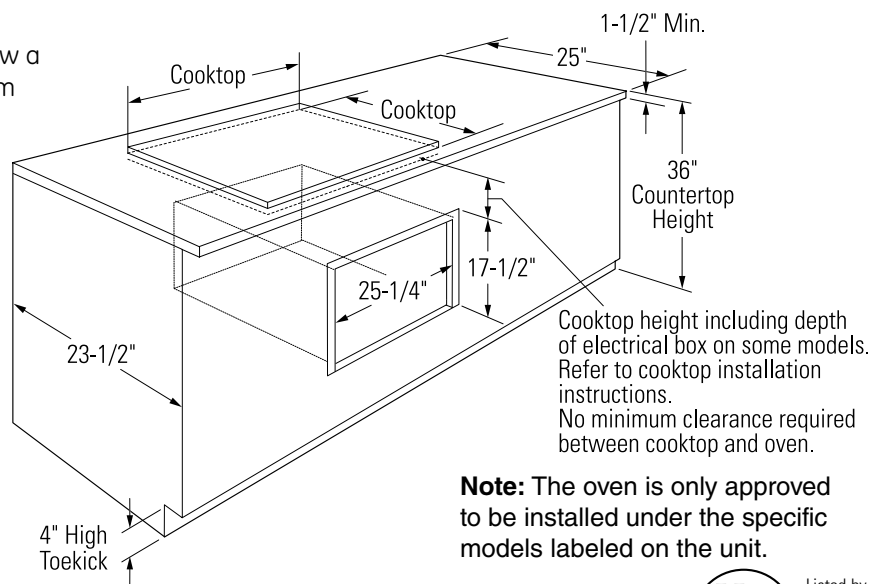
- An Advantium 120 oven installed in combination with any other appliance must be supplied with separate electrical connections.

Installation Information – before installing, consult installations instructions packed with the product and available on-line at www.monogram.com for current dimensional data.



Installation below a 30" or 36" cooktop

This Advantium 120V oven can be installed below a countertop or beneath a 30 or 36" GE Monogram electric radiant or gas-on-glass cooktop. Models include ZEU36R, ZEU30R and ZEU36K. Install the oven in a 36" or wider base cabinet.



For answers to your Monogram,® GE Profile™ or GE® appliance questions, visit our website at ge.com or call GE Answer Center® service, 800.626.2000.

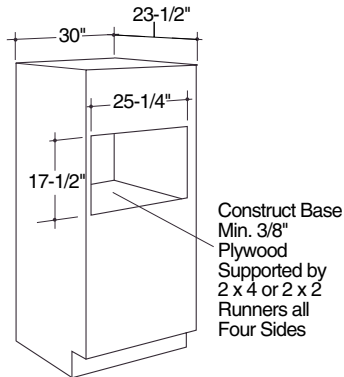


ZSC1201NSS/ZSC1202NSS GE Monogram® Built-In Advantium® 120 Oven

Dimensions and Installation Information (in inches)

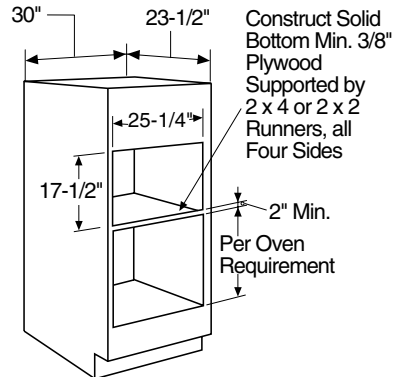
Important: These installation cutouts do not include the accessory drawer.

Single Advantium 120V installation



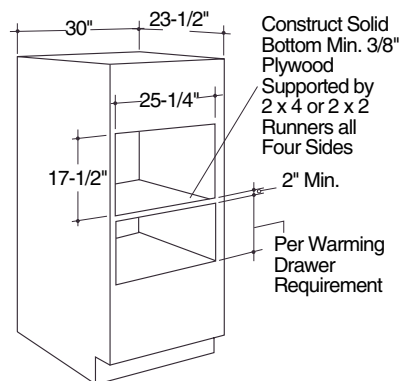
- Allow 2-1/8" case trim overlap on the sides and 7/8" overlap on the bottom. Allow 1-1/8" overlap at the top of the oven.

Installation over a Monogram Oven



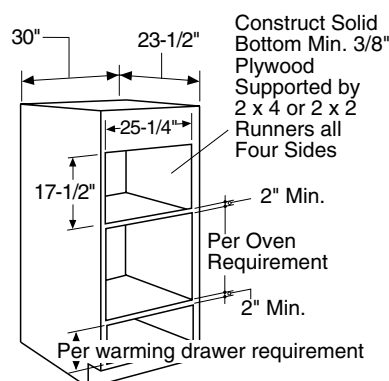
Additional clearances between the cutouts may be required. See oven installation instructions for details.

Installation over a Monogram Warming Drawer



Additional clearances between the cutouts may be required. Check to be sure the oven supports above the warming drawer do not obstruct the required interior depth and height. See warming drawer installation instructions for details.

Installation over a Monogram Oven and Warming Drawer



Additional clearances between the cutouts may be required. See warming drawer and oven installation instructions for details.

For answers to your Monogram®, GE Profile™ or GE® appliance questions, visit our website at ge.com or call GE Answer Center® service, 800.626.2000.



ZSC1201NSS with ZX2201NSS

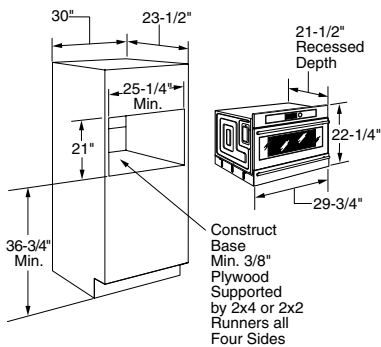
GE Monogram® Built-In Advantium® 120 Oven with Accessory Drawer

Dimensions and Installation Information (in inches)

ZSC1201NSS and ZX2201NSS Accessory - GE Monogram Built-in Advantium Oven and Accessory Drawer

Important: These installation cutouts include the ZX2201NSS accessory drawer.

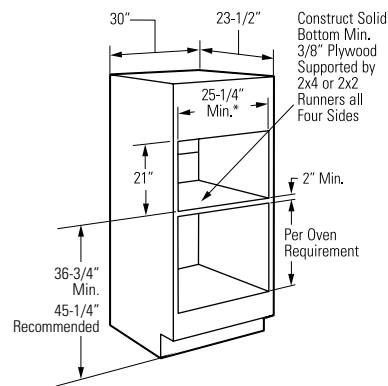
ZSC1201NSS Advantium Installation with Accessory Drawer



Important: Any installation with an accessory drawer must be installed 36-3/4" minimum from the floor to the cutout. The combined Advantium and accessory drawer cannot be installed below a countertop.

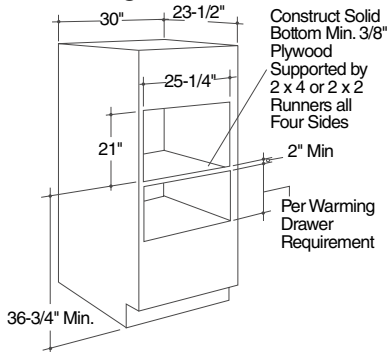
- Maintain 36-3/4" minimum height from the floor to the cutout in any single or combined installation.
- Allow 2-1/8" case trim overlap on the sides and 7/8" overlap on the bottom. Allow 1-1/8" overlap at the top of the oven.

ZSC1201NSS Advantium and Accessory Drawer Installed over a Monogram Oven



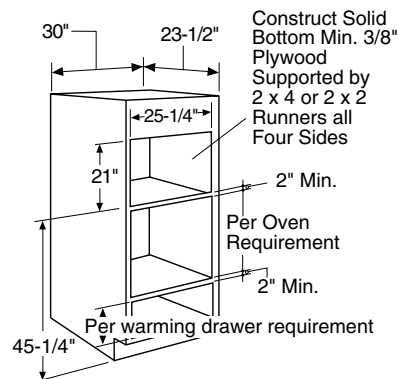
Additional clearances between the cutouts may be required. See oven installation instructions for details.

ZSC1201NSS Advantium and Accessory Drawer Installed over a Monogram Warming Drawer



Additional clearances between the cutouts may be required. Check to be sure the oven supports above the warming drawer do not obstruct the required interior depth and height. See warming drawer installation instructions for details.

ZSC1201NSS Advantium and Accessory Drawer Installed over a Monogram Oven and Warming Drawer



Additional clearances between the cutouts may be required. See warming drawer and oven installation instructions for details.

For answers to your Monogram,® GE Profile™ or GE® appliance questions, visit our website at ge.com or call GE Answer Center® service, 800.626.2000.



imagination at work



Listed by Underwriters Laboratories

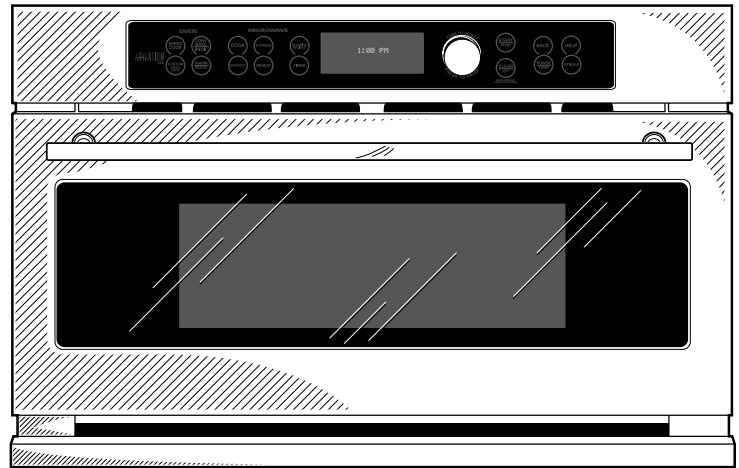
ZSC1201NSS/ZSC1202NSS

GE Monogram® Built-In Advantium® 120 Oven

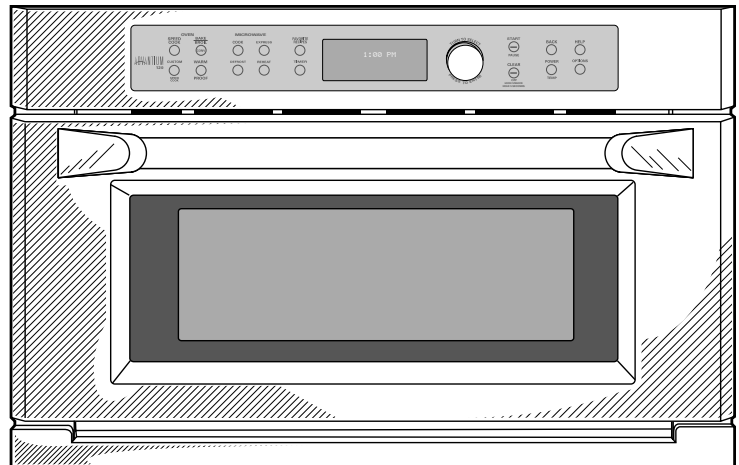
Features and Benefits

- Remarkable Versatility – Multiple cooking options create four ovens in one—Speedcook, True European convection, sensor microwave and warming ovens—to bake, broil, brown, roast and warm and proof foods
- Speedcook Technology – Halogen light system combines with microwaves and speedcooks your favorite foods to delicious perfection in minutes, with no preheating
- Powerful Performance – Oven-quality foods cook up to four times faster than a conventional oven, with no preheating required
- Spacious Interior – Large 1.7-cu.-ft rounded oven cavity with 16" turntable allow full and continual rotation of a 9" x 13" casserole dish; removable oven rack offers the convenience of multi-level cooking
- Installation Flexibility – Ovens can be installed in 30" wall cabinet and can also be installed below a countertop or below a GE Monogram electric radiant or gas-on-glass cooktop—models ZEU36R, ZEU30R and ZEU36K
- Sophisticated Styling – Integrated models make a singular architectural impression with sleek, horizontal lines set off by a tubular handle and stainless steel control knob
- Professional Styling - Professional models exude power with a premium-grade stainless steel exterior, chamfered edges and a die-cast control knob
- Model ZSC1201NSS – Integrated stainless steel
- Model ZSC1202NSS – Professional stainless steel
- Optional Accessory Storage Drawer - ZX2201NSS (for use with ZSC1201NSS only)

For answers to your Monogram,® GE Profile™ or GE® appliance questions, visit our website at ge.com or call GE Answer Center® service, 800.626.2000.



Integrated



Professional



imagination at work