



## 24" Undercounter Beverage Center

Sub-Zero undercounter units simplify life at home by bringing refrigeration anywhere it's needed. Fresh greens in the kitchen island. Soda and snacks in the media room. Chilled mineral water in the master suite. Model UC-24BG has a full-view glass door and is available in the overlay or stainless steel design. It also features two wine storage shelves that will hold up to 16 (750 ml) bottles.



Model UC-24BG/O overlay shown. Also shown is model 424G/O wine storage.

### FEATURES

- Full-view, UV-resistant glass door—high altitude glass available.
- Easy-access, touch control panel with LCD display.
- Bright interior lighting.
- Roller-glide wine shelves with natural cherrywood facing have three-quarter extension for easy access.
- Adjustable, spill-proof glass shelf.
- Clear utility bin for storage of smaller items.

### MODEL OPTIONS

MODEL OPTIONS	UC-24BG/O	UC-24BG/S/TH	UC-24BG/S/PH
Design/Finish	Overlay	Stainless Steel	Stainless Steel
Handle	*	Tubular	Pro

\*Handle not included to allow for design flexibility.

### INTERIOR FEATURES

- **Beverage Center**
  - 2 Wine Storage Shelves
  - Adjustable Glass Shelf
  - Clear Utility Bin
  - Full-View Glass Door

### ACCESSORIES

- Stainless steel tubular and pro handles.
  - UL approved door lock.
- Accessories are available through your Sub-Zero dealer. For local dealer information, visit the find a showroom section of our website, [subzero.com](http://subzero.com).



Clear utility bin.



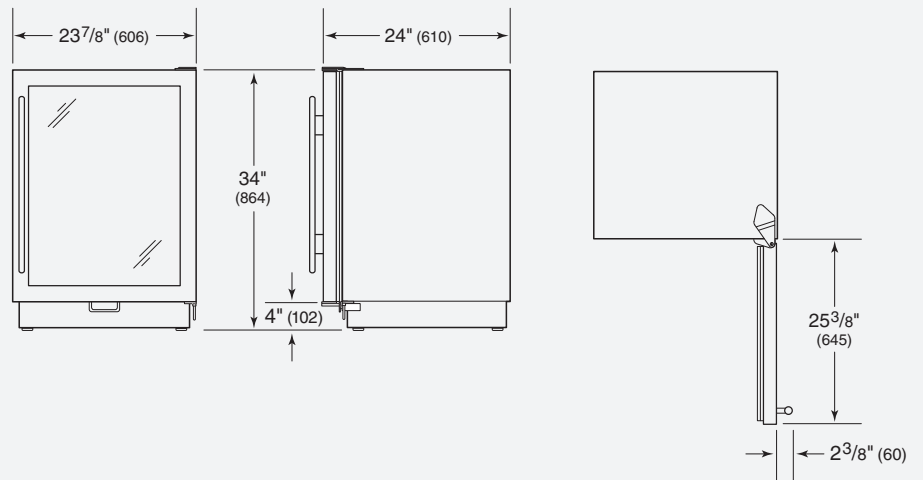
Wine storage shelves.





## 24" Undercounter Beverage Center

### OVERALL DIMENSIONS



Unit dimensions may vary by  $\pm 1/8$ ".

### SPECIFICATIONS

Overall Width	23 <sup>7</sup> / <sub>8</sub> "
Overall Height	34"
Overall Depth	24"
Door Clearance	25 <sup>3</sup> / <sub>8</sub> "
Refrigerator Capacity	5.7 cu ft
Wine Storage Capacity	up to 16 Bottles (750 ml)
Opening Width	24"
Opening Height	34 <sup>1</sup> / <sub>2</sub> "
Opening Depth	24"
Electrical Requirements	115 V AC, 60 Hz 15 amp dedicated circuit
Annual Energy Usage	\$43*
Shipping Weight	135 lbs

\*Based on 10.65 cents per kilowatt hour.

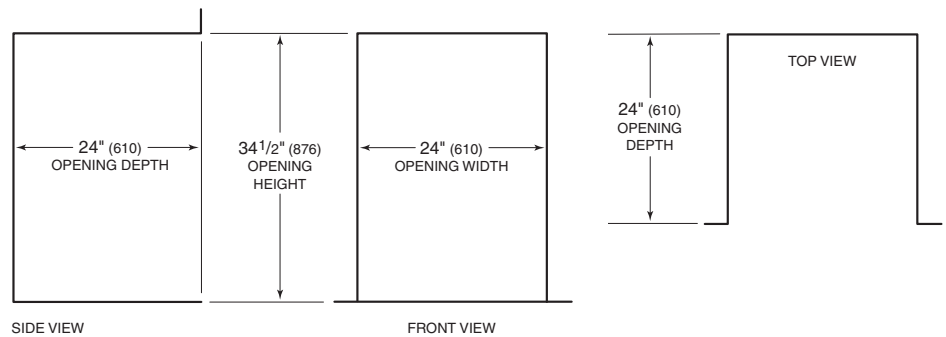
### INSTALLATION NOTES

Undercounter model UC-24BG is available in your choice of the overlay or stainless steel design application. A high altitude glass door unit may be special ordered for installations at or above 5,000'.

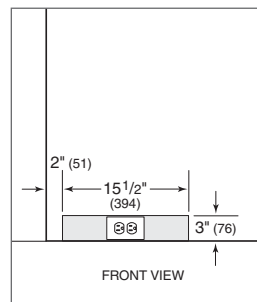
Complete installation specifications, including panel sizes, can be found on our website, [subzero.com/specs](http://subzero.com/specs).

### INSTALLATION SPECIFICATIONS

#### Opening Dimensions



#### Location of Electrical Supply



Dimensions in parentheses are in millimeters unless otherwise specified.