

Thermador® | *An American Icon™*

VENTILATION INSTALLATION MANUAL



SAFETY INSTRUCTIONS

Read All Instructions Before Using the Appliance.

READ AND SAVE THESE INSTRUCTIONS

WARNING

TO REDUCE THE RISK OF FIRE, ELECTRIC SHOCK, OR INJURY TO PERSONS, OBSERVE THE FOLLOWING:

- A. Installation work and electrical wiring must be done by qualified person(s) in accordance with all applicable codes and standards, including fire-related construction.
- B. Sufficient air is needed for proper combustion and exhausting of gases through the flue (chimney) of fuel burning equipment to prevent backdrafting. Follow the heating equipment manufacturer's guideline and safety standards such as those published by the National Fire Protection Association (NFPA), and the American Society for Heating, Refrigeration and Air Conditioning Engineers (ASHRAE), and the local code authorities.
- C. When cutting or drilling into wall or ceiling, do not damage electrical wiring and other hidden utilities.
- D. Ducted fans must always be vented to the outdoors.
- E. Always unplug or disconnect the downdraft from the power supply before servicing.
- F. This unit is designed for indoor use only. Use this unit only in the manner intended by the manufacturer.

This unit is manufactured for indoor use only. Do not use this unit outdoors.

Parts Needed

- Blower (Remote or Integral)
- Tape Measure
- Phillips Head Screwdriver
- Duct Tape
- Ductwork (configuration varies depending on location; See pages 4-7 for further information)
- Additional Sheetmetal screws (as necessary for ductwork installation)
- Transition(s) (style varies depending on ductwork)
Transition box for remote blower installations is available as an accessory.
- Saw (or equivalent for cutting countertop)
- #8 x 1 1/4" Wood Screws (4)

WARNING

CAUTION: For general ventilating use only. Do not use to exhaust hazardous or explosive materials and vapors.

To reduce risk of fire and to properly exhaust air, be sure to duct air outside. Do not vent exhaust air into spaces within walls, ceilings, attics, crawl spaces or garages.

TO REDUCE THE RISK OF FIRE, USE ONLY METAL DUCT WORK.

To reduce the risk of fire, electric shock and injury to persons, ventilator assemblies, All CVS models must be installed with integral blower, Model VTN600CV2 or remote blowers model VTR600R or VTR1000Q. Other ventilator blowers cannot be substituted.

To reduce the risk of fire or electric shock, do not use the fan with any solid-state speed control device.

This appliance has been found to be in compliance with UL507 Standard for Electric Fans and CAN/CSA-22.2 No. 113 Canadian Standard for Fans and Ventilators. It is the responsibility of the owner and the installer to determine if additional requirements or standards apply in specific installations.

Parts Supplied

- Downdraft assembly (1)
- #8 Sheetmetal Screws (8)
- Blower Cord Traction Relief (1)
- Hardware for brackets on vent (2)
- Remote Blower Pigtail

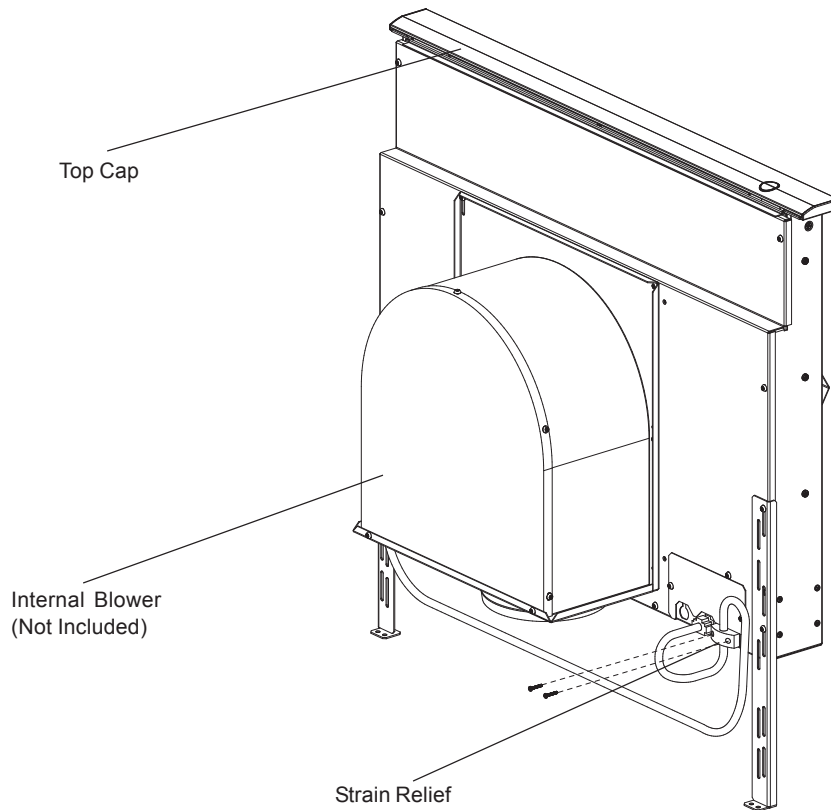


Figure 1

INTRODUCTION

GENERAL DESCRIPTION

The complete downdraft system consists of the ventilator, the intake and the blower (See Fig. 1). The blower can be either **integral** (mounted on the vent intake in the cabinet under the cooktop) or a **remote** (mounted on the roof or outside wall). When a remote blower is used, a duct transition is mounted on the ventilator intake in place of the integral blower to connect the intake to the ductwork. The duct transition must be purchased separately.

The integral blower or duct transition can be mounted in different positions on the intake to route ductwork to avoid cabinet, building framing, utilities, etc.

The downdraft system is available in 30-inch, 36-inch and 45-inch models, with countertop trim in either stainless, black, or white. It is intended for use with all brands and models of residential 30-inch, 36-inch or 45-inch gas or electric cooktops **except professional style cooktops**.

Step 1: PLAN THE INSTALLATION

Carefully follow the planning procedures listed below (See Figure 2).

- A. Determine whether a remote or integral blower will be used. **Remote blower installation requires 4 wires plus a ground wire to run from the downdraft to the blower.**
- B. Make sure that adequate cabinet and counter space has been provided and that the intake will be accessible if service is required.
- C. Consider that cross drafts created by adjacent open windows, doors, air conditioning, old heating vents, recessed ceiling lights, and traffic patterns may affect performance.
- D. For gas cooktop installations make sure that a minimum 10 square inch opening is provided in the toe-kick or other cabinet area. Inadequate ventilation of the cabinet below the cooktop may result in flame outage when operating the vent system.
- E. Provide for air supply or "make-up air" to the room where unit will be installed. If "make-up air" is not provided, then problems, such as fireplace chimney downdrafts, could result.

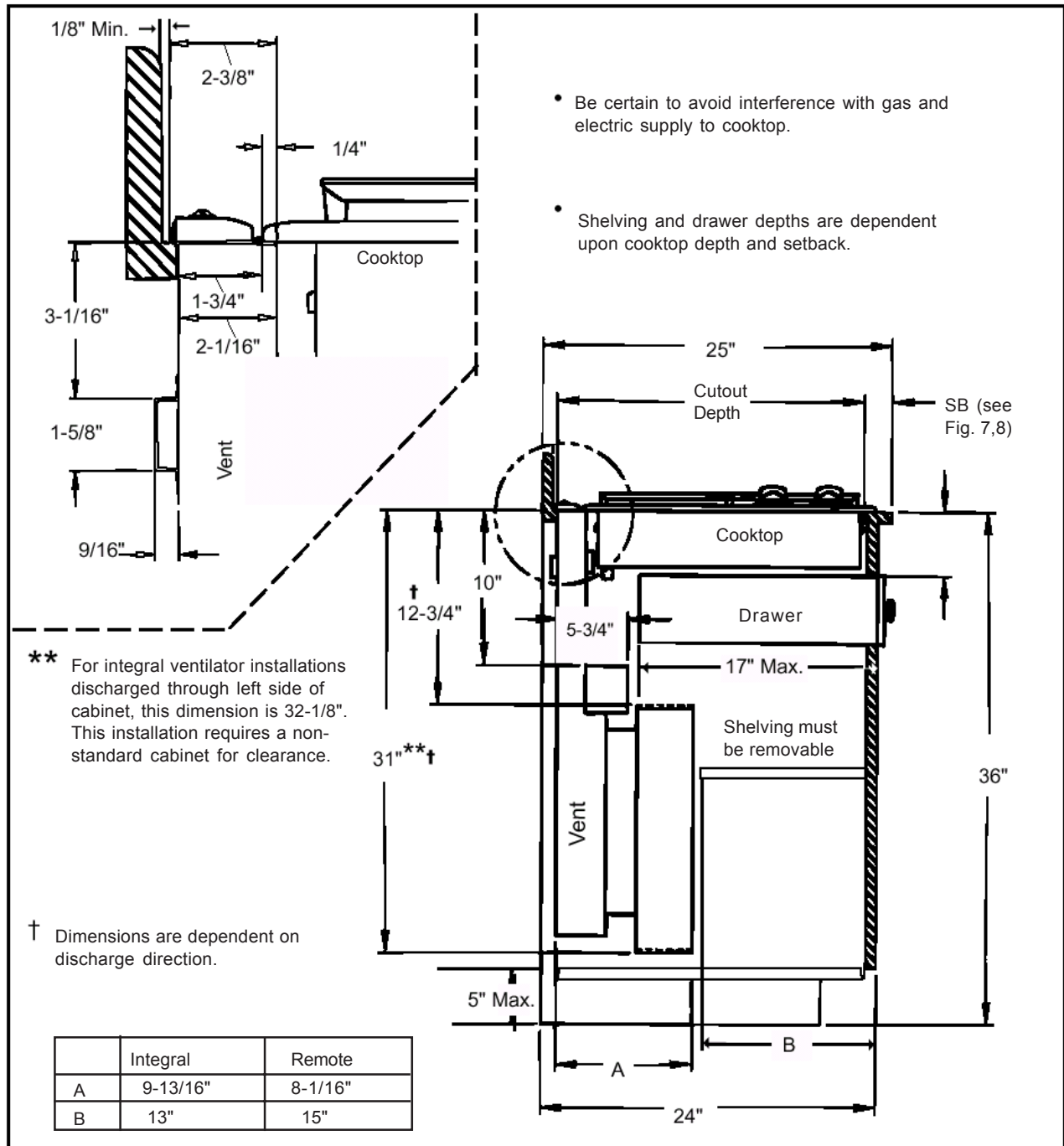


Figure 2

F. Investigate potential ductwork routes and choose the shortest possible route from the unit to an outside wall or to the roof via an inside wall and attic. For guidance, typical ducting installations are shown in figures 3 through 6. Installation in island locations will require ducting under floor ducting. Peninsula locations usually require ducting laterally through cabinets or under cabinet toe-spaces. Consider potential interferences to ductwork from building framing (floor joists, wall studs, etc.) and utilities (electrical wiring, water, gas, or sewer lines, etc.).

G. Determine whether the chosen route of ducting will meet vent system performance requirements. To do this, measure the duct lengths needed and determine specific fittings required. Enter this data in the spaces provided in Table 1 (See Page 6). For duct runs greater than 100 feet please contact customer service for performance estimates. In addition, the duct installation guidelines in Table 2 (See Page 7) should be followed in developing the ductwork plan.

H. Purchase the necessary ductwork in accordance with the listing developed in G above.

Figures 3 through 6 are examples of possible ducting

Remote Blower
Roof Mount Installation

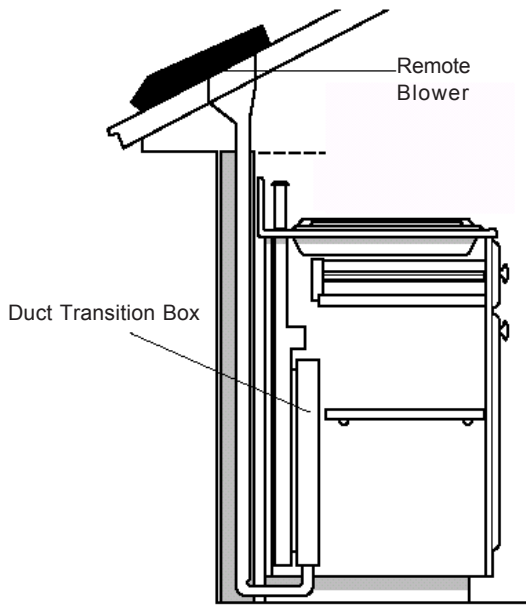


Figure 3

Integral Blower
Through Wall Installations

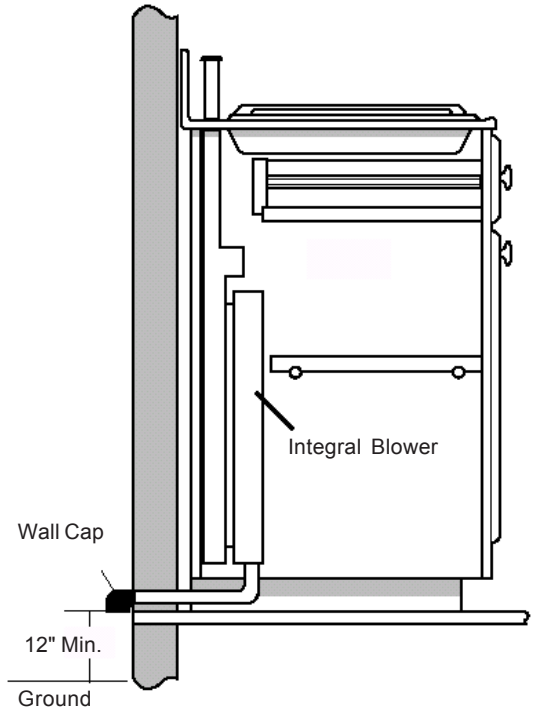


Figure 4

Integral Blower
Through Wall Installation

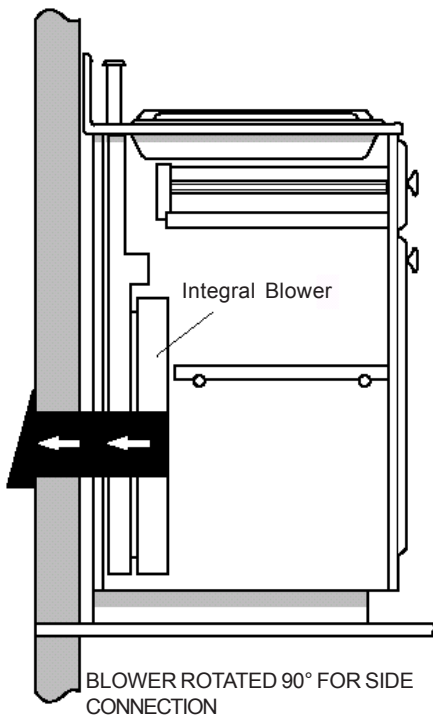


Figure 5

Remote Blower
Through Wall Installation

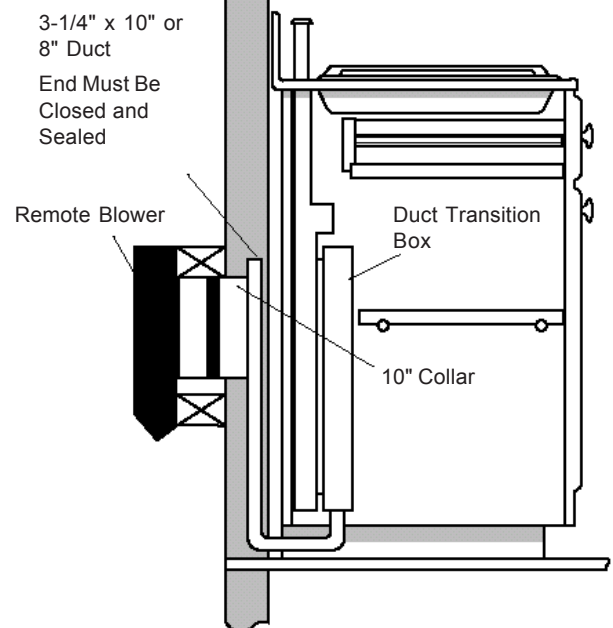
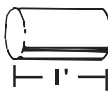


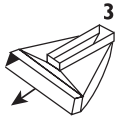

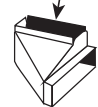


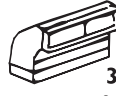

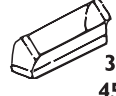

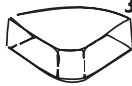
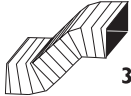

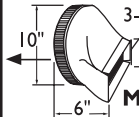

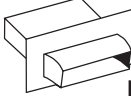



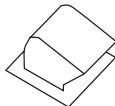


Figure 6

TABLE I. VENTILATOR PERFORMANCE CALCULATION

DUCT PIECES	SIZE	EQUIVALENT LENGTH	QUANTITY USED	TOTAL EQUIVALENT LENGTH	DUCT PIECES	SIZE	EQUIVALENT LENGTH	QUANTITY USED	TOTAL EQUIVALENT LENGTH
 ROUND STRAIGHT	6"	1.2'			 3-1/4"X 10" CENTER REVERSE ELBOW LEFT	N/A	15'		
	7"	0.95'							
	8"	0.7'							
	10"	0.6'							
	3-1/4" x 10" STRAIGHT	1'			 3-1/4"X 10" CENTER REVERSE ELBOW RIGHT	N/A	25'		
	3-1/4" x 14" STRAIGHT	0.7'							
 90° ELBOW ROUND	6"	12'			 3-1/4"X 10" RIGHT REVERSE ELBOW	N/A	25'		
	7"	8'							
	8"	6'							
 45° ELBOW ROUND	6"	5'			 3-1/4"X 10" LEFT REVERSE ELBOW	N/A	15'		
	7"	4'							
	8"	3'							
 3-1/4"X10" 90° ELBOW	N/A	5'			 ROUND WALL CAP Model #WC8 Model #WC10	6"	2'		
						7"			
						8"			
						10"			
 3-1/4"X10" 45° ELBOW	N/A	15'			 ROUND ROOF CAP	6"	2'		
						7"			
						8"			
 3-1/4"X10" FLAT ELBOW	N/A	20'			 3-1/4"x10" Flex Model #RD 1 2' long	20'			
 ROUND TO 3-1/4"X10"	6"	1'			 3-1/4"x10" to Round Model 310TRI0	1'			
	7"	1'							
 3-1/4"X10" TO ROUND	6"	5'			 3-1/4"x10" Wall Cap Model WC310	2'			
	7"	3'							
 ROUND TO 3-1/4"X10" 90° ELBOW	6"	10'			 7" In-Line Backdraft Damper Model # I 40	5'			
	7"	8'							
 3-1/4"X10" TO ROUND 90° ELBOW	6"	10'			 3-1/4"x10" Roof Jack & Shutter, Model # RJ310	5'			
	7"	5'							

NOTE: Fittings with model numbers stated are available through your Thermador dealer. All other fittings are available from most major hardware stores.

TOTAL (of both columns)=
 MUST be LESS than:
 Integral Blower - 85 ft.
 Remote Blower - 70 ft.

TABLE 2. DUCTWORK INSTALLATION GUIDELINES

- For safety reasons, ducting should vent directly outdoors (not into an attic, underneath the house, into the garage or into any enclosed space).
- Keep duct runs as short and straight as possible.
- Duct fittings (elbows and transitions) reduce air flow efficiency.
- Back to back elbows and "S" turns give very poor delivery and are not recommended.
- A short straight length of duct at the inlet of the remote blower gives the best delivery.
- Transition to round duct from the integral blower or remote duct transition as close to the downdraft as is possible. In order of preference, use
 - 1st. 10" round duct
 - 2nd. 8" round duct
 - 3rd. 3-1/4" x 14" duct
 - 4th. 7" round duct
 - 5th. 3-1/4" x 10" duct
 - 6th. 6" round duct
- The use of flexible metal round duct should only be used when no other duct fitting exists. Limit use to short lengths and do not crush when making corners.
- Where local codes permit, plastic pipe (PVC-schedule 40 pipe or ABS pipe 7" or 8" diameter) can be used in areas of high ground moisture and in slab floors to eliminate future rusting.
- Use only duct work constructed of materials that are acceptable by the applicable codes. All duct should be 26 gauge or heavier to minimize flex due to air flow.
- The remote blowers requires a 10" or 8" diameter round duct (depending on model) to match the inlet ring. A transition is necessary from other duct sizes.
- Use sheet metal screws as required to support the duct weight, and seal all joints with duct tape.
- Be certain that the duct work does not interfere with floor joists or wall studs.
- Do not exhaust more than one vent into a single duct run.
- Thermal breaks, such as a short section of nonmetallic duct, should be used in areas of extreme cold.
- Always use an appropriate roof or wall-cap with damper. Laundry type wall caps should never be used.

Step 2: Prepare Countertop Cutout

For installation with a Thermador cooktop, refer to Part A (at left) and Figure 7 (Page 8)). For installation with another brand of cooktop, refer to Part B (Page 9).

For all installations verify that all cutouts will clear the inside of the front countertop support rail, and that the cooktop and vent will be centered left to right within the cutout. Also, make certain that the front and rear cutouts are straight and parallel to the front edge of countertop and the rear backsplash and/or wall. Assure that the side cutouts are square to the front and rear cutouts. All illustrations and dimensions are based on standard 24" deep by 36" high American style base cabinets with 25" countertops.

When installing laminated or solid surface countertops such as Surell™ and Corian®, be sure to follow the countertop manufacturer's instructions regarding minimum corner radii, reinforcement of corners, etc.

For overhead cabinet and cooktop side clearances consult cooktop Installation Instructions.

- A. For installation with a Thermador cooktop (Figure 7 and Table 3)

Provide an opening in the countertop as specified in Table 3 (Page 8). Make sure that the distance from the front of the countertop to the front of the cutout is not less than dimension "SB". Verify that the available flat countertop is greater than dimensions "OW" by "OD". Make certain that the backsplash thickness does not exceed dimension "BT".

TABLE 2: INSTALLATION DIMENSIONS FOR CVS30R/ 36R/ 45R WITH THERMADOR COOKTOP

Cooktop Model No.	CW Cutout Width	CD Cutout Depth	OW Overall Width	OD Overall Depth	SB Minimum Set Back	BT, Max++ Backsplash Thickness
30" Cooktops: Installed with UCV30						
SGS304*	28-15/16	22-1/4	31	23-3/4	1-1/2	3/4
SGSX304*	28-15/16	22-1/4	31	23-3/4	1-1/2	3/4
CET304	28-3/4	22-1/8	31	23-7/8	2-1/2	0
CEP304	28-3/4	22-1/8	31	23-7/8	2-1/2	0
CEM304	28-3/4	22-1/8	31	23-7/8	2-1/2	0
36" Cooktops: Installed with UCV36						
SGS365**	34-15/16	22-1/4	37	23-3/4	1-1/2	3/4
SGSX365**	34-15/16	22-1/4	37	23-3/4	1-1/2	3/4
CET365	34-3/4	22-1/8	37	23-7/8	2-1/2	0
CEP365	34-3/4	22-1/8	37	23-7/8	2-1/2	0
CEM365	34-3/4	22-1/8	37	23-7/8	2-1/2	0
45" Cooktops: Installed with UCV45						
SGS456	43-15/16	22-1/4	46	23-3/4	1-1/2	3/4
SGSX456	43-15/16	22-1/4	46	23-3/4	1-1/2	3/4
CET456	43-3/4	22-1/8	46	23-7/8	2-1/2	0
CEP456	43-3/4	22-1/8	46	23-7/8	2-1/2	0
CEM456	43-3/4	22-1/8	46	23-7/8	2-1/2	0

Table 2 Notes

* Dimension "SB" is the minimum distance from the leading edge of the counter to the leading edge of the cutout.

++Dimension "BT" is the thickness of backsplash that provides 1/4" clearance between vent and backsplash. Any backsplash with a curved radius where it meets the counter will require additional clearance. Thicker backsplashes may be used by increasing the counter and cabinet depths.

All dimensions are in inches and are based upon a standard 24" deep base cabinet with 25" countertop.

** SGC and SGCS: width in table is at the widest point (center).

Refer to cooktop Installation Instructions for complete information prior to making any cutouts.

Clearance is provided to allow raising of the hinged main top.

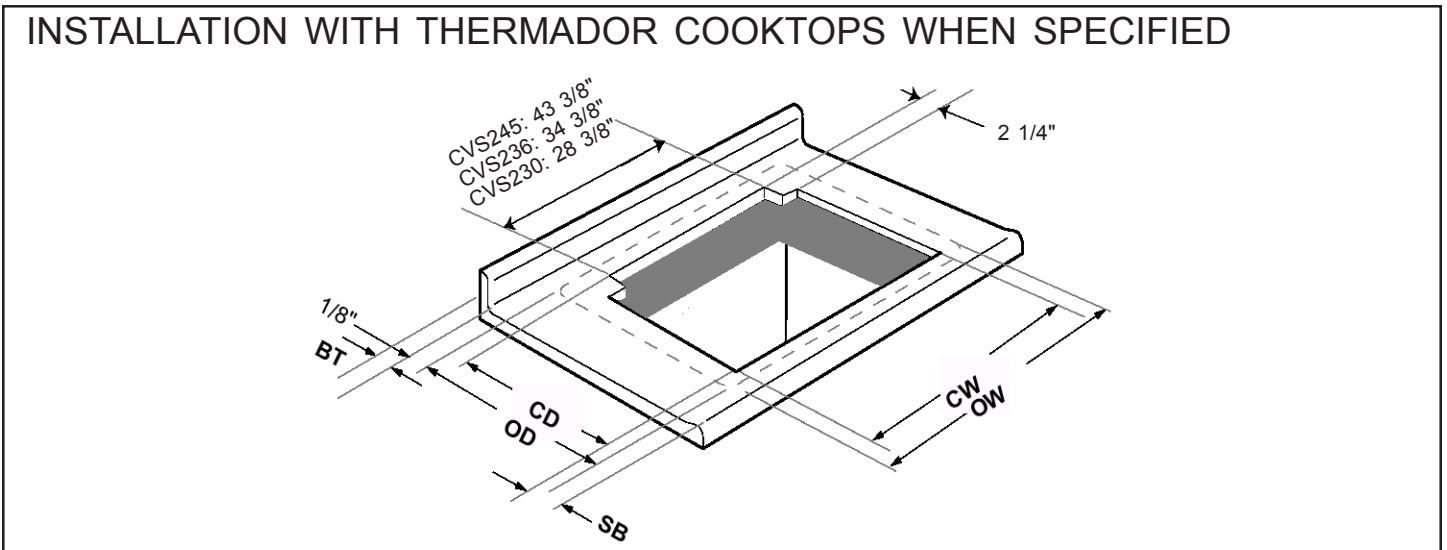


Figure 7

INSTALLATION WITH OTHER COOKTOPS WHERE SPECIFIED (SEE PART B)

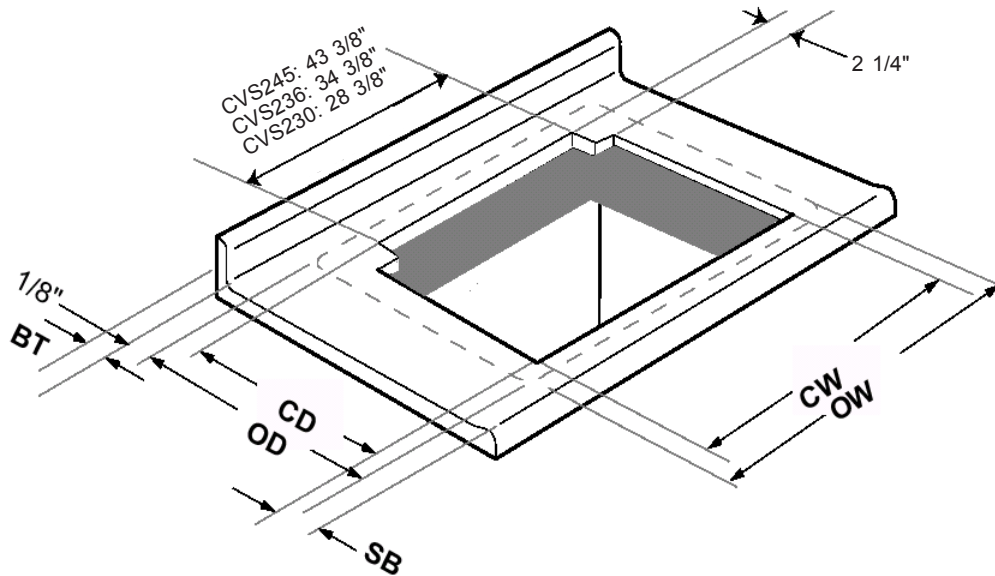


Figure 8

B. FOR INSTALLATION WITH ANOTHER BRAND OF COOKTOP (Figure 8)

Have the following cooktop measurements available before proceeding. All cooktop dimensions should be verified through measurement prior to cutting the countertop:

CCW = Cooktop Cutout Width
 CCD = Cooktop Cutout Depth
 COW = Cooktop Overall Width
 COD = Cooktop Overall Depth

with the above dimensions confirmed, determine the cutout size as follows:

1. Find the cutout width, (CW):

If CCW is **smaller** than the UCV cutout width then:

Installation	CW
CVS230	28 ^{3/8}
CVS236	34 ^{3/8}
CVS245	43 ^{3/8}

If CCW is larger than the UCV cutout width then:

CW = CCW

See Figure 8 for UCV cutout widths and dimension definitions.

2. Calculate the cutout depth, CD:

Determine the cooktop overhang (CO)

$CO = (COD - CCD) / 2$ (Assumes front and rear cooktop overhangs are equal) Calculate the cutout depth, (CD):

$$CD = COD - CO + 1 - 7/8"$$

3. Determine setback (SB) distance from front of countertop to front of cutout. SB is specified in the installation instructions shipped with the cooktop.

4. Backsplash thickness must not exceed BT as calculated below:

$$BT = 24 \frac{7}{8}" - OD - SB + CO$$

(Provides 1/8" clearance between vent and backsplash.)
 A negative value for BT means countertop is too small for the installation.

5. Verify that the available flat countertop has a width greater than OW and a depth greater than OD.

OW depends on the installation:

CVS30: OW equals the greater of COW or 30".

CVS36: OW equals the greater of COW or 36".

CVS45: OW equals the greater of COW or 45".

OD is determined by: $OD = COD + 2 \frac{1}{8}"$.

6. Cut countertop using dims: CD, CW and SB as defined in Figure 8.

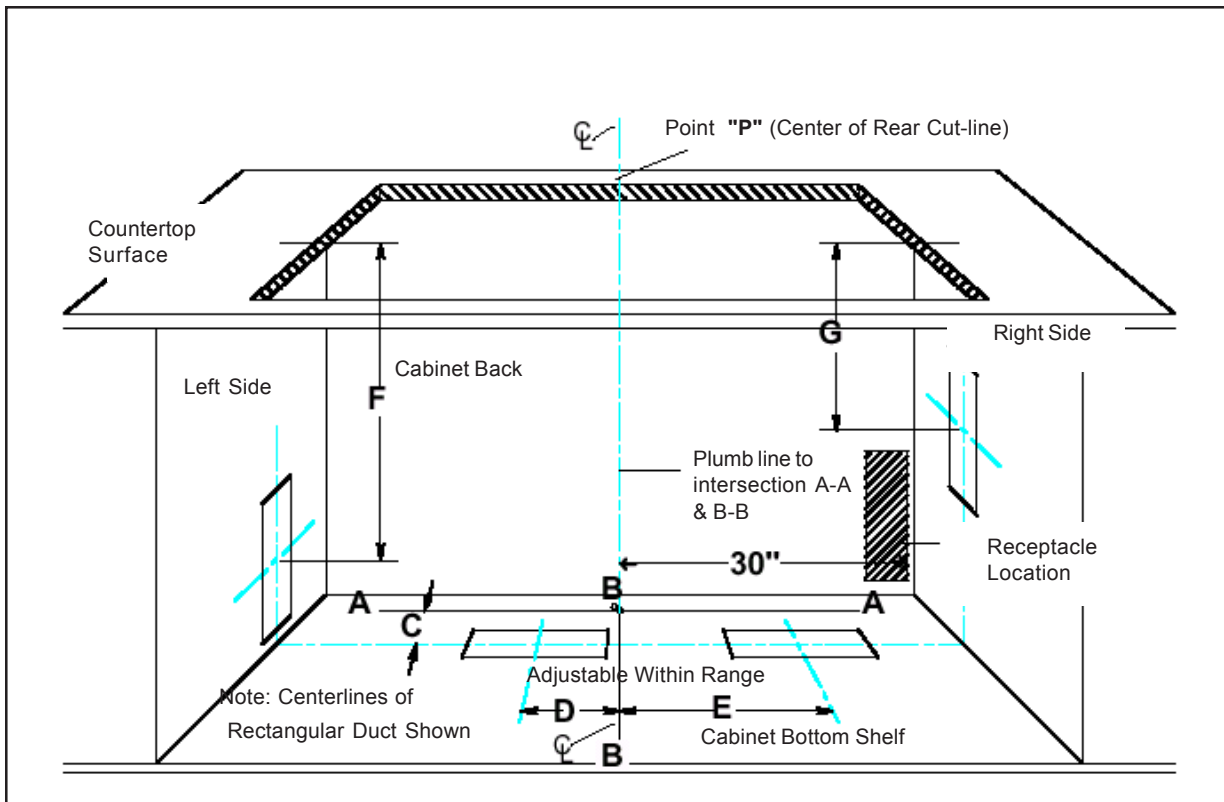


Figure 9: Cabinet Cutout for Ductwork

Cabinet Cutout Dimensions for Blower:

C	D	E	F	G
6 3/8"	14 1/2"	1 7/8"	15 1/2"	9 3/4"

Table 4: Cabinet Cutout Dimensions

STEP 3: Prepare Duct Cutouts in Cabinet

- A. Refer to Figure 9. Drop a plumb-line from Point "P" at the rear center of the countertop cutout. Mark this point on the bottom of the cabinet below. Construct two reference lines through this point: one should be parallel to the cabinet front and directly below the rear countertop cutout (Line A-A), and the other (Line B-B) should be at right angles to A-A.
- B. Using these reference lines as a base for the measurements shown in Table 4, layout the necessary cabinet cutouts needed to implement the planned ductwork route. Where a range of measurements is noted, choose a measurement that allows best clearance from wall studs, floor joists, utilities, or other obstructions.
- C. Temporarily set intake and cooktop in place and attach integral blower (or duct transition fitting if a remote blower is installed). Refer to steps 6 and 7. Verify that the duct cutouts as marked will match the hardware installation. Adjust the duct cutout as necessary to match hardware installation.
- D. Remove temporarily placed hardware and make cutouts in cabinet to accommodate ductwork installation.
- E. Make all other cabinet modifications needed to provide proper clearances for drawers or removable shelving.

Step 4: Install Ductwork (Remote Blower, If Used)

- A. Install the ductwork and remote blower (if used) in accordance with the ductwork routing plan developed in Step 1.
- B. Make sure that the installation complies with all installation guidelines in Table 2. Also check that the opening where duct passes through outside wall or roof has been properly flashed and sealed to prevent leakage.
- C. If using Integral Blower, Model VTN600CV2C, proceed to Step 5.
- D. If using Remote Blower Model VTR600R or VTR1000Q, refer to Installation Instructions with that model.

Step 5: Install Electrical Service

Check your local building codes for proper method of installation. In the U.S., if there are no applicable local codes, this unit should be installed in accordance with the National Electric Code ANSI/NFPA No. 70, Current Issue. (In Canada, installation must be in accordance with the CAN 1-B149.1 and .2 - Installation Codes for Gas Burning Appliances and/ or local codes).

The appliance must be grounded. In the event of an electrical short circuit, grounding reduces the risk of electric shock by providing an escape wire for the electric current. This appliance is equipped with a cord having a grounding wire with a grounding plug. The plug must be plugged into an outlet that is properly installed and grounded.

WARNING - Improper grounding can result in a risk of electric shock.

Consult a qualified electrician if the grounding instructions are not completely understood, or if doubt exists as to whether the appliance is properly grounded.

Do not use an extension cord. If the power supply cord is too short, have a qualified electrician install an outlet near the appliance.

The receptacle should be located under the countertop so that the 30 inch long power cord from the vent will reach it. See Figure 9. The cord should be routed beneath the appliance and away from heat generated by the cooktop. Access should not be obstructed by blower, cabinet work, ductwork or electrical/gas utilities for the cooktop. All power for the vent system (including the remote blower, if used) is supplied via the cord to the intake unit. The outlet can usually be extended from another kitchen outlet or have its own circuit from the main service panel.

Do not plug vent cord into receptacle until Step 8.

Step 6: Mount Vent and Cooktop

- A. Remove grease filters and any packing materials from inside the intake.
- B. Set the vent intake into rear of countertop opening. Carefully lower it into position so that the flanges on the rear sides and edges fully support the unit hanging from the countertop.
- C. Hold the unit against the rear of the countertop opening, and slide the leg brackets down to meet the bottom of cabinet. Check and adjust for plumb, then fasten leg brackets to cabinet with hardware provided.
- D. Place the cooktop in countertop opening with the rear edge of cooktop overlapping the front edge of the vent. **Make sure rear edge of cooktop does not bind against front of snorkel.** Follow the manufacturer's installation instructions for installing gasket strips, protective heat tape (if required), securing the cooktop to the countertop and making the cooktop electrical and/or gas connections.

Step 7: Mount Integral Blower or Outlet Duct Transition for Remote Blower

Integral Blower VTN600 (See Figures 10 and 12 for further detail):

- A. Attach blower in front of round exhaust outlet with 4-6 (depending on configuration) #8 sheetmetal screws
- B. Feed cord **from blower** through strain relief.
- C. Secure strain relief with screws.
- D. Attach strain relief to downdraft near junction box.
- E. Connect cord to downdraft at 6 pin connector
- F. Connect blower to ductwork.

Remote Blower VTR600R or VTR1000Q

(See Figures 11 and 12 for further detail):

- A. Remove junction box cover and connect conduit with 5 wires from remote blower. Hook up wires per Wiring Diagram, Fig. 10. Replace junction box cover.
- B. Attach duct transition at mounting holes with sheetmetal screws.
- C. Feed remote blower pigtail through strain relief.
- D. Attach strain relief to downdraft near junction box.
- E. Connect pigtail to downdraft at 6 pin connector.
- F. Run pigtail wires to junction box.
- G. Inside junction box, connect conduit with five wires from remote blower. Use a conduit connector to secure.

Note: Blower and duct transition box may be installed with duct outlet left, down or right. Install blower or duct transition in such a way that access panels can be removed for service.

Figure 10 - Internal Blower

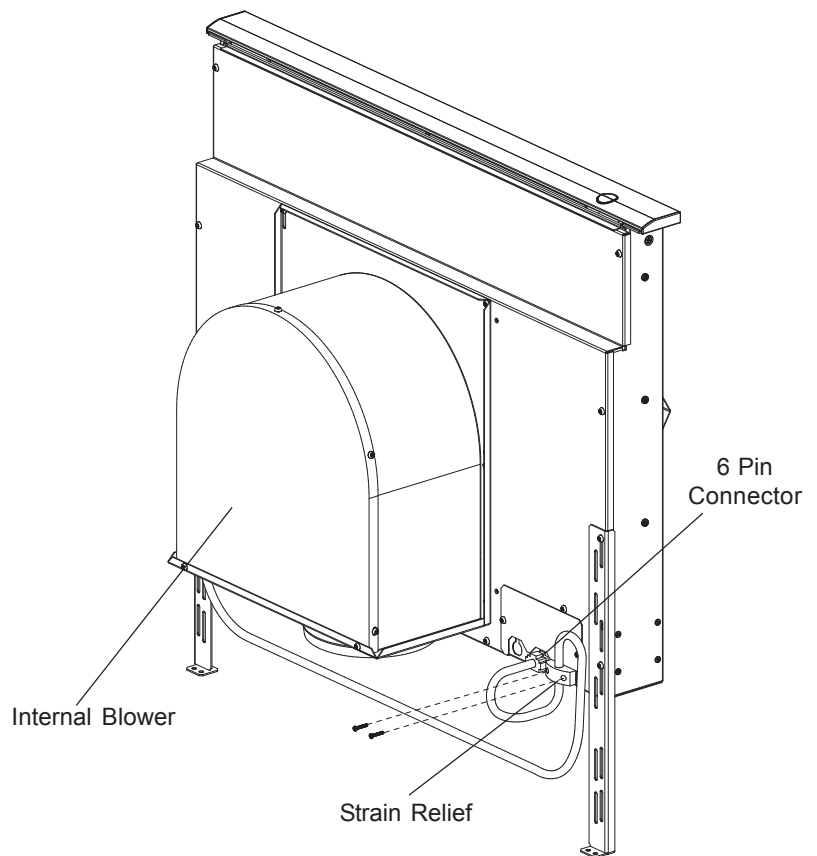


Figure 11 - Remote Blower

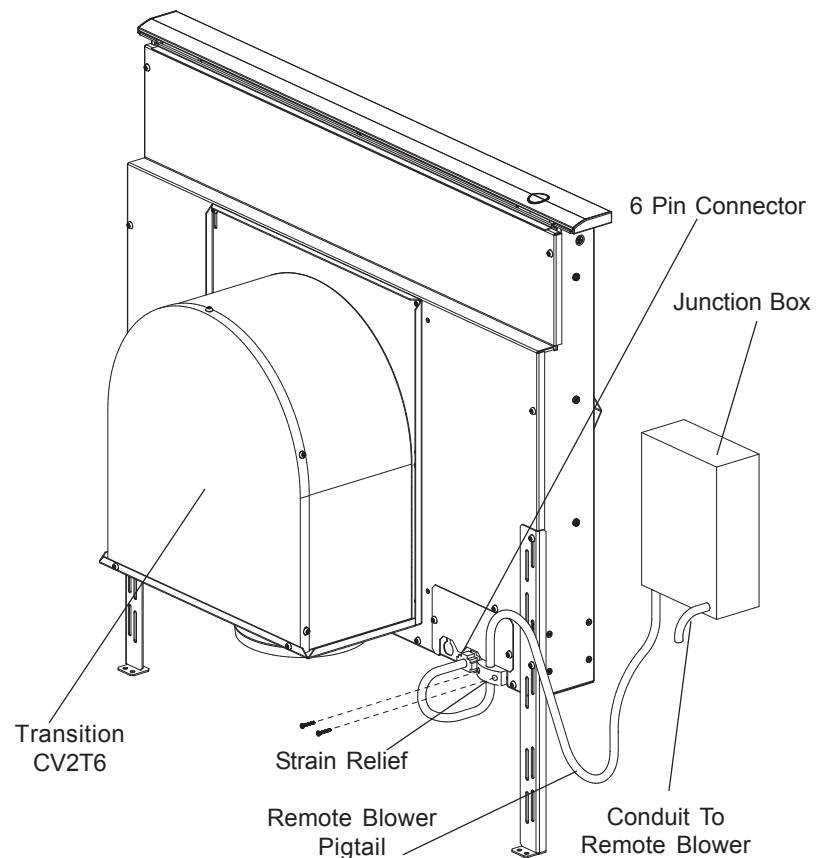
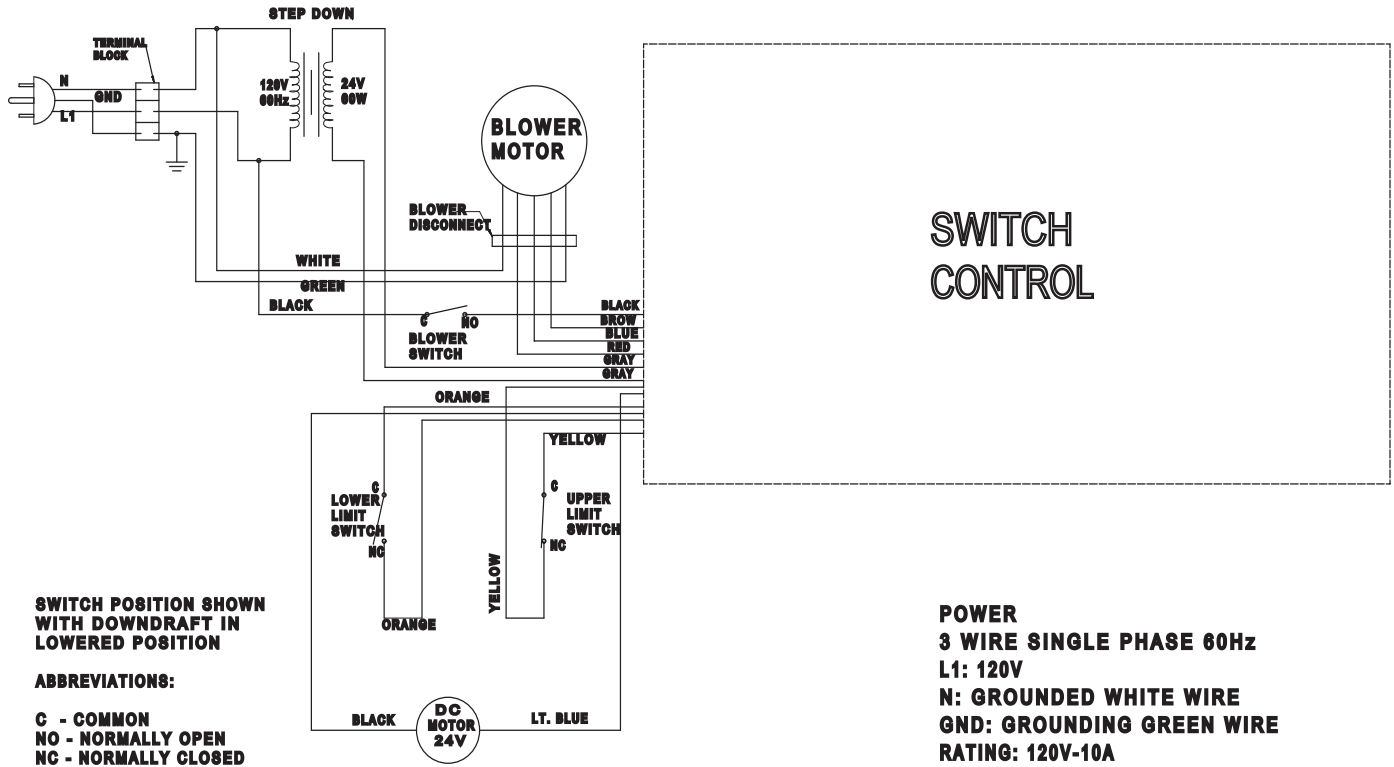


Figure 12 - Wiring Diagram

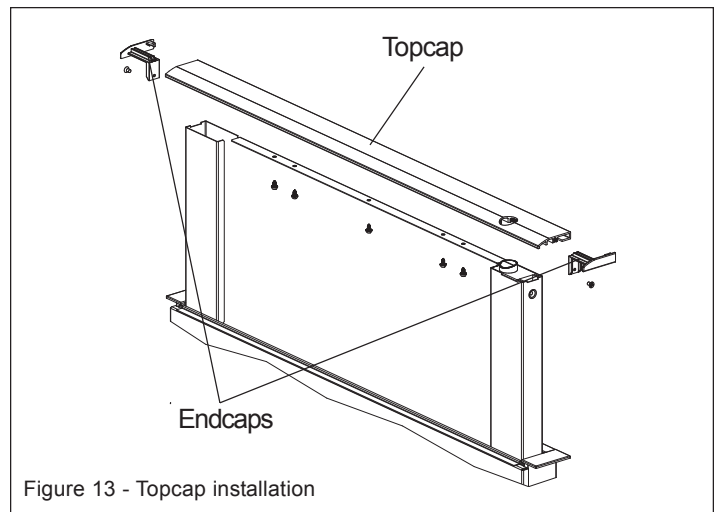
WARNING: POWER MUST BE DISCONNECTED BEFORE SERVICING THIS APPLIANCE



Step 8: Install Coordinating Topcap (if applicable)

The downdraft is shipped from the factory with a stainless steel topcap. Color coordinating topcaps in white and black are available as accessory parts.

- A. Remove filters and set aside. Remove 4 screws from below topcap and two screws (one on each side) from endcaps. Discard topcap and endcaps. Set screws aside.
- B. Install new endcaps and topcap as seen in Figure 13 (insert endcaps first). Replace screws.



Step 9 Verify Installation, Operation and Cooktop Alignment

Before performing this procedure, verify that all packing materials were removed from inside the snorkel and that the grease filters and front panel have been properly installed. Refer to the Care and Use Manual for instructions regarding filter and front panel installation.

Plug the vent power cord into a proper electrical receptacle and ensure that the circuit is energized.

- A. Raise the snorkel to its fully extended position by pressing the UP/DOWN push-button once (Figure 12). Do not hold the push-button. The elevating motor will stop when the snorkel reaches its full height. (Note: the blower will not operate unless the snorkel is fully raised).
- B. Remove protective tape from top cap.
- C. Turn the blower ON by selecting in turn each of the 3 speeds. Let the blower run several minutes at each speed to evaluate its operation.
- D. With the blower running, lower the snorkel to its fully retracted position by pressing the UP/DOWN push-button once. The blower will immediately turn off.
- E. With the blower on HIGH, close the windows and doors to the area to ensure that fan does not cause back drafting in any outlet vent for another appliance.
- F. Raise and lower the vent again, and check to make sure that the top cap on the snorkel does not catch on the back edge of the cooktop when it is lowered. If interference occurs, adjust the position of the cooktop by moving it against the front edge of the countertop cutout, then re-secure the cooktop to the countertop. Failure to eliminate interference may result in permanent damage to the vent. Also, ensure that the vent support legs have been properly secured to the cabinet base using the screws provided.

If the vent system does not operate satisfactorily during any of the above procedures, review all steps in these Installation Instructions to ensure that nothing has been omitted or overlooked. Also, refer to the Care & Use Manual for additional information or call Thermador Customer Support 1-800-735-4328.

INSTRUCTIONS DE SÉCURITÉ

Lire toutes les instructions avant d'utiliser l'appareil.

LIRE ET CONSERVER CES INSTRUCTIONS

AVERTISSEMENT

POUR RÉDUIRE LE RISQUE D'INCENDIE, DE CHOC ÉLECTRIQUE OU DE BLESSURES, OBSERVER CE QUI SUIT :

- A. L'installation et le câblage électrique doivent être effectués par des personnes qualifiées conformément à toutes les normes et codes applicables, incluant la construction relative au feu.
- B. Siffisamment d'air est nécessaire pour une combustion appropriée et l'échappement des gaz par tirage (cheminée) d'équipement à combustion pour éviter le tirage arrière. Suivre les directives du fabricant d'équipement de chauffage et les normes de sécurité telles celles fournies par l'Association de protection des incendies nationale (NFPA) et la Société américaine d'ingénierie de chauffage, réfrigération et climatisation (ASHRAE) ainsi que les codes locaux.
- C. Au moment de couper ou percer un mur ou plafond, ne pas endommager le câblage électriques et autres.
- D. Les ventilateurs à conduit doivent toujours être ventilés vers l'extérieur.
- E. Toujours débrancher le tirage vers le bas de l'alimentation avant d'effectuer le service.
- F. Cet appareil est conçu pour une utilisation intérieure seulement. Utiliser cet appareil de la façon à laquelle il est destiné par le fabricant.

AVERTISSEMENT

ATTENTION : pour ventilation générale seulement. Ne pas ventiler des vapeurs ou matériaux explosifs ou hasardeux.

Pour réduire le risque d'incendie et pour un échappement d'air approprié, s'assurer d'acheminer l'air vers l'extérieur. Ne pas ventiler l'air d'échappement dans les murs, plafonds, greniers, espaces fermés ou garages.

POUR RÉDUIRE LE RISQUE D'INCENDIE, UTILISER DES CONDUITS EN MÉTAL.

Pour réduire le risque d'incendie, de choc électrique et de blessures, les assemblages de ventilateur pour les modèles CVS doivent être installés avec une soufflerie intégrée, modèle VRN600CV2 ou modèles VTR600R ou VTR1000Q à télécommande. D'autres souffleries de ventilateur ne peuvent être substituées.

Pour réduire le risque d'incendie ou de choc électrique, ne pas utiliser le ventilateur avec dispositif de contrôle de vitesse à semi-conducteur.

Cet appareil est conforme avec la norme UL507 pour ventilateurs électriques et la norme canadienne CAN/CSA-22,2, n° 113 pour ventilateurs. Il incombe au propriétaire et à l'installateur de déterminer si des normes ou exigences additionnelles s'appliquent pour une installation spécifique.

Cet appareil est fabriqué pour une utilisation intérieure seulement. Ne pas utiliser pour l'extérieur.

Pièces nécessaires

- Soufflerie (à télécommande ou intégrée)
- Ruban à mesurer
- Tournevis à tête Phillips
- Ruban à conduit
- Conduit (configuration variant selon l'emplacement ; voir pages 4 à 7 pour plus de détails)
- Vis à métal additionnelles (au besoin pour l'installation de conduit)
- Transition(s) (style variant selon le conduit)
Boîte de transition pour installation de soufflerie à télécommande si disponible comme accessoire.
- Scie ou équivalent pour couper le plan de travail
- Vis à bois n° 8 x 1 1/4 po (4)

Pièces fournies

- Assemblage tirage vers le bas (1)
- Vis à métal n° 8 (8)
- Réducteur de tension du cordon de soufflerie (1)
- Quincaillerie pour fixations sur évent (2)
- Queue de cochon de soufflerie à télécommande

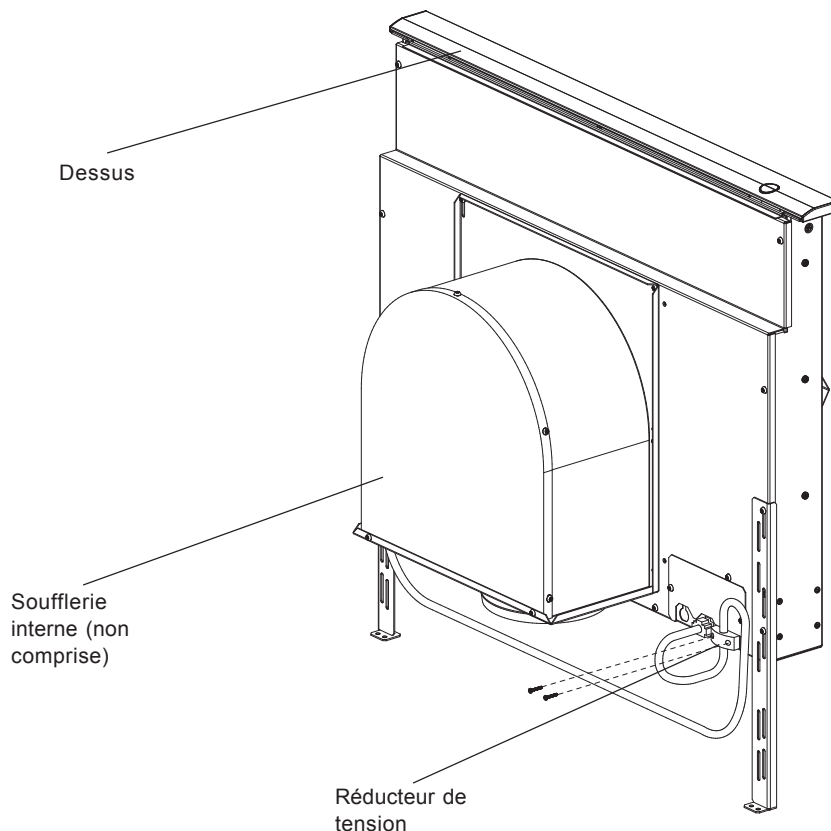


Figure 1

INTRODUCTION

DESCRIPTION GÉNÉRALE

Le système de contre-tirage comprend ventilateur, entrée et soufflerie (figure 1). La soufflerie peut être **intégrée** (montée sur l'entrée d'évent dans l'armoire sous la plaque de cuisson) ou à télécommande (montée sur le toit ou le mur extérieur). Lorsqu'une soufflerie à **télécommande** est utilisée, une transition de conduit est fixée sur l'entrée de ventilateur au lieu d'une soufflerie intégrée pour brancher l'entrée sur le conduit. La transition de conduit doit être achetée séparément.

La soufflerie intégrée ou la transition de conduit peut être fixée de différentes positions sur l'entrée pour acheminer le conduit afin d'éviter armoire, structure, etc.

Le système de contre-tirage est disponible en modèle 30, 36 et 45 po avec garniture de plan de travail en acier inoxydable, blanc ou noir. Il est destiné pour une utilisation avec tous les modèles et marques de plaques de cuisson électriques ou à gaz de 30, 36 et 45 po. **Sauf les plaques de cuisson de style professionnel.**

Étape1 : PLAN D'INSTALLATION

Suivre attentivement le processus de planification indiqué ci-dessous (figure 2).

- A. Déterminer si une soufflerie à télécommande ou intégrée est utilisée. **L'installation de la soufflerie à télécommande requiert 4 fils plus un fil de mise à la terre allant du contre-tirage à la soufflerie.**
- B. S'assurer que l'espace d'armoire et plan de travail est adéquat et que l'entrée est accessible si un service est requis.
- C. Il faut considérer les courants d'air créés par les fenêtres ouvertes, portes, climatiseur, événements de chauffage anciens, éclairages encastrés et le trafic pouvant réduire le rendement.
- D. Pour les installations de plaque de cuisson à gaz, s'assurer qu'une ouverture minimale de 10 po² est prévue au coup-de-pied ou autre armoire. Une ventilation inadéquate de l'armoire sous la plaque de cuisson peut causer l'extinction de la flamme au moment d'actionner le système d'évent.
- E. Assurer une alimentation en air dans la pièce où l'appareil est installé. Si l'air d'appoint n'est pas assuré, alors il peut en résulter des problèmes comme un contre-tirage de la cheminée du foyer.

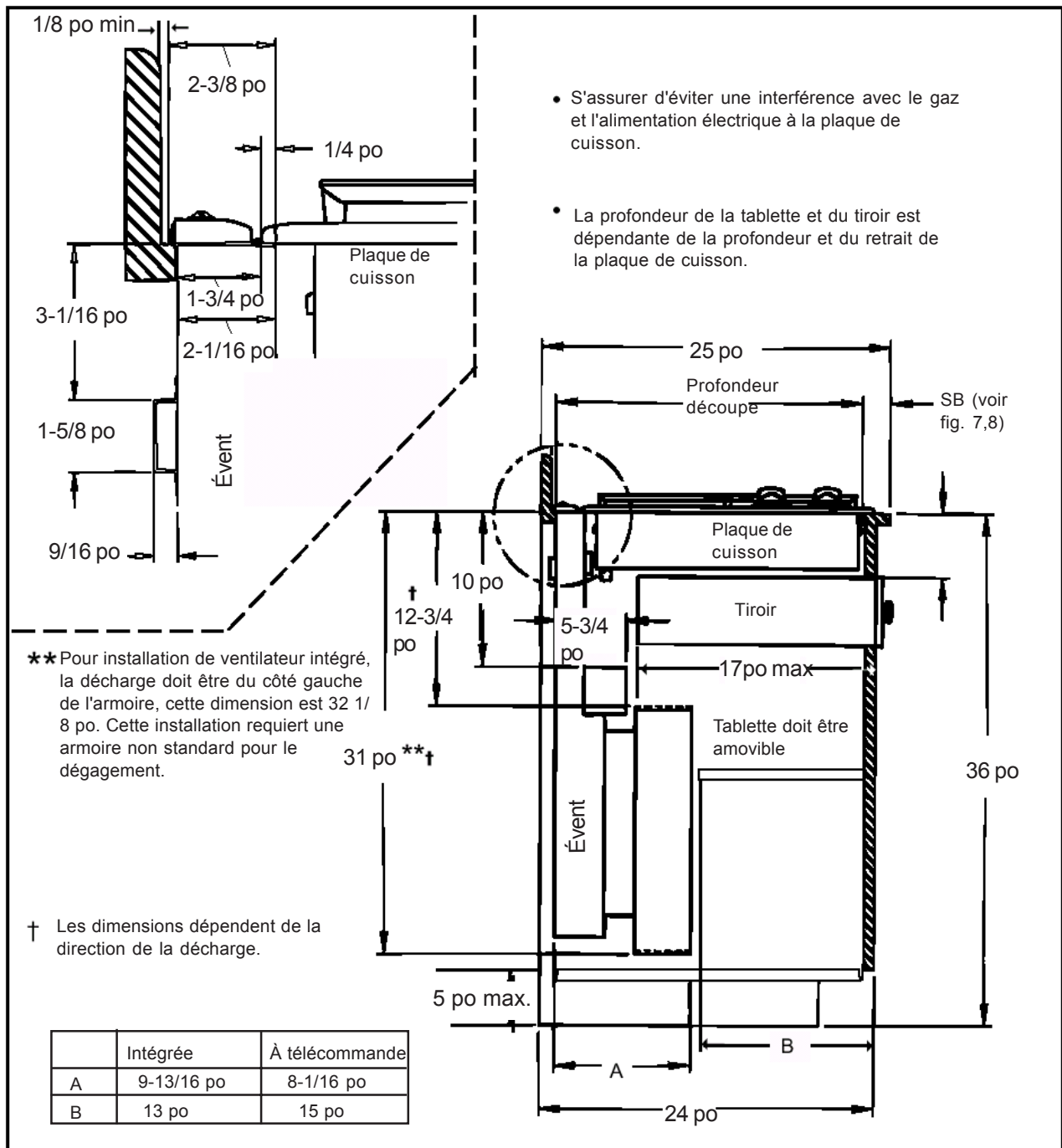


Figure 2

F. Vérifier les chemins de conduit potentiels et choisir le plus court possible depuis l'appareil au mur extérieur ou au toit par un mur intérieur et le grenier. À des fins d'aide, des installations de conduit typiques sont montrées aux figures 3 à 6. L'installation pour un îlot requiert un conduit sous le plancher. Les emplacements péninsules requièrent habituellement des conduits latéraux par les armoires ou sous la base des armoires. Il faut prendre en considération les interférences potentielles des conduits par la structure de l'édifice (montants de plancher ou mur) et les services utilitaires (câblage électrique, eau, gaz, etc.).

G. Déterminer si le chemin choisi pour les conduits répond aux exigences de rendement du système de ventilation. Pour ce faire, mesurer la longueur de conduit nécessaire et déterminer les raccords spécifiques. Entrer cette donnée dans les espaces prévus au tableau 1, page 6. Pour les chemins de conduit plus longs que 100 pi, communiquer avec le service à la clientèle pour les estimations de rendement. De plus, les directives d'installation de conduit, tableau 2, page 7, doivent être observées pour la planification des conduits.

H. Acheter les conduits nécessaires conformément à la liste indiquée en G, ci dessus.

Figures 3 à 6 sont des exemples de conduits

Soufflerie à télécommande
Installation sur le toit

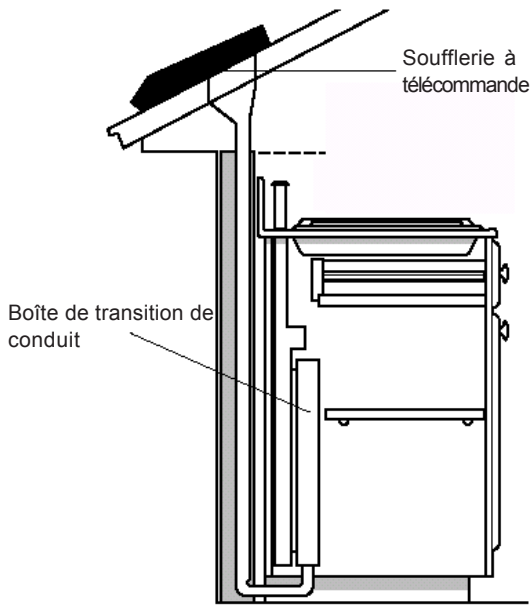


Figure 3

Soufflerie intégrée
Installation par le mur

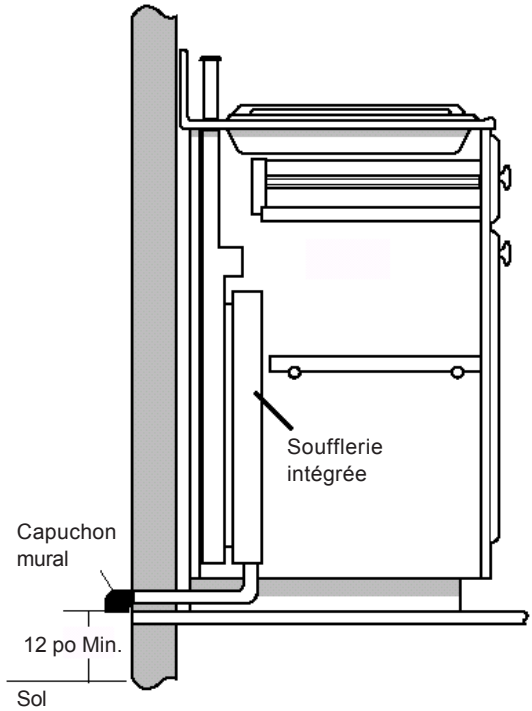


Figure 4

Soufflerie intégrée
Installation par le mur

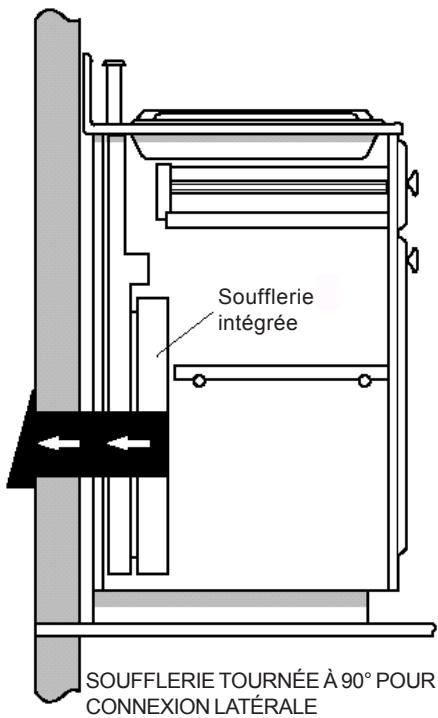


Figure 5

Soufflerie à télécommande
Installation par le mur

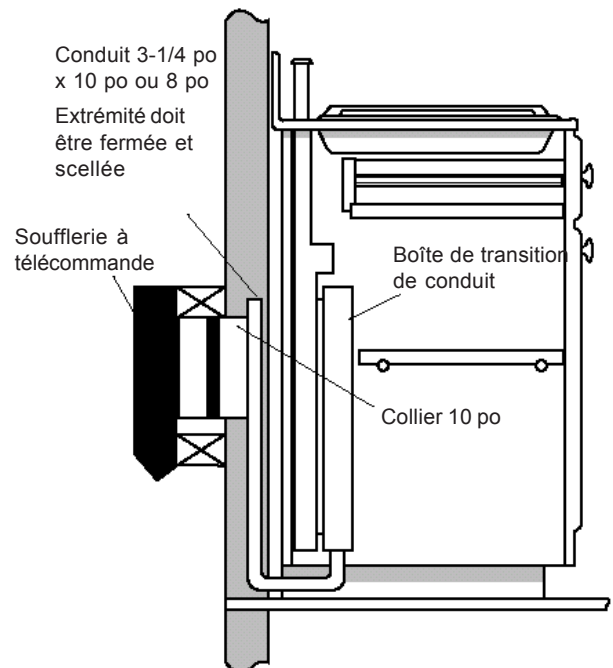



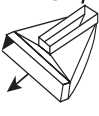






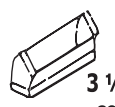

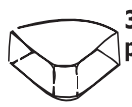


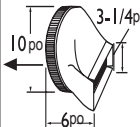
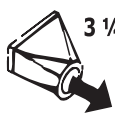
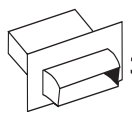



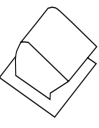


Figure 6

Pièces de conduit	Dimens-ions	Longueur équivalente	Quantité utilisée	Longueur équivalente totale	Pièces de conduit	Dimens-ions	Longueur équivalente	Quantité utilisée	Longueur équivalente totale
	6 po	1.2 pi				N/A	15 pi		
	7 po	0.95 pi							
	8 po	0.7 pi							
	10 po	0.6 pi							
	3-1/4 po x 10 po Droit	1 pi				N/A	25 pi		
	3-1/4 po x 14 po Droit	0.7 pi							
	6 po	12 pi				N/A	25 pi		
	7 po	8 pi							
	8 po	6 pi							
	6 po	5 pi				N/A	15 pi		
	7 po	4 pi							
	8 po	3 pi							
	N/A	5 pi				6"	2 pi		
						7"			
						8"			
						10"			
	N/A	15 pi				6"	2 pi		
						7"			
						8"			
	N/A	20 pi					20 pi		
	6 po	1 pi					1 pi		
	7 po	1 pi							
	6 po	5 pi					2 pi		
	7 po	3 pi							
	6 po	10 pi					5 pi		
	7 po	8 pi							
	6 po	10 pi					5 pi		
	7 po	5 pi							

REMARQUE : les raccords avec numéros de modèle indiqué sont disponible par le marchand Thermador. Tout autre raccord sont disponibles dans les quincailleries.

TOTAL (2 colonnes)=
DOIT être MOINS que :
Soufflerie intégrée - 85 pi
Soufflerie à télécommande - 70 pi

TABLEAU 2. DIRECTIVES D'INSTALLATION DE CONDUITS

- Pour des raisons de sécurité, le conduit doit ventiler directement vers l'extérieur (non dans un grenier, sous la résidence, garage ou espace confiné).
- Garder les chemins de conduit les plus courts et droits possible.
- Les raccords (coudes et transitions) réduisent l'efficacité du débit d'air.
- Des coudes et des S, les uns à la suite des autres, offrent un débit faible et ne sont pas recommandés.
- Une courte longueur droite à l'entrée de la soufflerie offre un meilleur débit.
- La transition à un conduit rond depuis la soufflerie intégrée ou de la transition de soufflerie à distance doit être aussi près que possible de la contre-tirage. En ordre de préférence, utiliser :
 - 1^{er} : conduit rond 10 po
 - 2^e : conduit rond 8 po
 - 3^e : conduit 3 1/4 x 14 po
 - 4^e : conduit rond 7 po
 - 5^e : conduit 3 1/4 x 10 po
 - 6^e : conduit rond 6 po
- L'utilisation de conduit rond en métal flexible peut être utilisée seulement si aucun autre raccord de conduit n'existe. Limiter l'utilisation de de courtes longueurs et ne pas écraser les coins.
- Où les codes le permettent, un tuyau en plastique (40 PCV ou ABS de 7 ou 8 po de diamètre) peut être utilisé dans les endroits où il y a beaucoup d'humidité et des planchers en béton pour empêcher la rouille.
- Utiliser seulement des conduit fabriqués en matériaux acceptables par les codes applicables. Tout conduit doit être de calibre 26 ou plus pour minimiser la flexibilité causée par le débit d'air.
- La soufflerie à télécommande requiert un conduit rond pour correspondre à l'anneau d'entrée, alors une transition à 10 po ou 8 po de diamètre est nécessaire depuis d'autres formats de conduit.
- Utiliser des vis à métal pour supporter le poids du conduit et sceller tous les joints avec du ruban à conduit.
- S'assurer que les conduits n'interfèrent pas avec les montants du plancher et du mur.
- Ne pas ventiler plus d'un événement dans un conduit simple.
- La résistance thermique, comme une section courte de conduit non métallique, doit être utilisée dans les zones froides.
- Toujours utiliser un capuchon de toit ou mural avec registre approprié. Les capuchons de type sècheuse ne doivent jamais être utilisés.

Étape 2 : préparation de découpe du plan de travail

Pour l'installation avec une plaque de cuisson Thermador, consulter section A (à gauche) et figure 7, page 8 ; pour une autre marque, voir section B, page 9.

Pour toutes les installations, s'assurer que toutes les découpes dégagent l'intérieur du devant du rail support de la plaque de cuisson et que la plaque de cuisson et l'évent sont centrés de gauche à droite dans la découpe. De plus, s'assurer que les découpes avant et arrière sont droites et parallèles au bord avant de la plaque de cuisson et au mur et/ou dossier. S'assurer que les découpes latérales sont d'équerre avec les découpes avant et arrière. Toutes les illustrations et les dimensions sont en fonction des armoires de type américain 24 po de profondeur x 36 po de haut standard avec plan de travail 25 po.

Si l'on installe un plan de travail uni ou laminé comme Surell™ et Corian®, s'assurer de suivre les instructions du fabricant concernant les radius minimum, renforts de coin, etc.

Dégagements pour armoire suspendue et côtés de plan de travail, consulter les instructions d'installation de la plaque de cuisson.

- A. Installation avec plaque de cuisson Thermador (figure 7 et tableau 3)

Faire une ouverture dans le plan de travail tel qu'indiqué au tableau 3, page 8. S'assurer que la distance du devant du plan de travail au devant de la découpe n'est pas moins que la dimension SB. Vérifier si le plan de travail plat disponible est plus grand que les dimensions OW x OD. S'assurer que l'épaisseur du dossier n'exécède pas la dimension BT.

TABLEAU 2 : DIMENSIONS D'INSTALLATION POUR CVS30R/36R/45R AVEC PLAQUE DE CUISSON THERMADOR

N° modèle plaque de cuisson	CW largeur de découpe	CD profondeur de découpe	OW largeur hors tout	OD profondeur hors tout	SB retrait minimum	BT, Max++ épaisseur de dossier
30 po Plaques de cuisson : Installation avec UCV30						
SGS304*	28-15/16	22-1/4	31	23-3/4	1-1/2	3/4
SGSX304*	28-15/16	22-1/4	31	23-3/4	1-1/2	3/4
CET304	28-3/4	22-1/8	31	23-7/8	2-1/2	0
CEP304	28-3/4	22-1/8	31	23-7/8	2-1/2	0
CEM304	28-3/4	22-1/8	31	23-7/8	2-1/2	0
36 po Plaques de cuisson : Installation avec UCV36						
SGS365**	34-15/16	22-1/4	37	23-3/4	1-1/2	3/4
SGSX365**	34-15/16	22-1/4	37	23-3/4	1-1/2	3/4
CET365	34-3/4	22-1/8	37	23-7/8	2-1/2	0
CEP365	34-3/4	22-1/8	37	23-7/8	2-1/2	0
CEM365	34-3/4	22-1/8	37	23-7/8	2-1/2	0
45 po Plaques de cuisson : Installation avec UCV45						
SGS456	43-15/16	22-1/4	46	23-3/4	1-1/2	3/4
SGSX456	43-15/16	22-1/4	46	23-3/4	1-1/2	3/4
CET456	43-3/4	22-1/8	46	23-7/8	2-1/2	0
CEP456	43-3/4	22-1/8	46	23-7/8	2-1/2	0
CEM456	43-3/4	22-1/8	46	23-7/8	2-1/2	0

Tableau 2 : remarques

* La dimension **SB** est la distance minimale du bord du comptoir au bord de la découpe.

++La dimension BT est l'épaisseur du dossier donnant un dégagement entre l'évent et le dossieret. Tout dossieret avec un rayon courbé à la rencontre du comptoir requiert un dégagement additionnel. L'épaisseur du dossieret peut être utilisée pour augmenter la profondeur de l'armoire et du plan de travail.

Toutes les dimensions sont en pouces et en fonction d'une armoire 24 po de profondeur standard avec plan de travail 25 po.

** SGC et SGCS : largeur du tableau est au point le plus large (centre).

Consulter les instructions d'installation de la plaque de cuisson avant d'effectuer toute découpe.

Le dégagement est prévu pour permettre l'élévation du dessus à charnière.

INSTALLATION AVEC PLAQUE DE CUISSON THERMADOR LORSQUE SPÉCIFIÉ

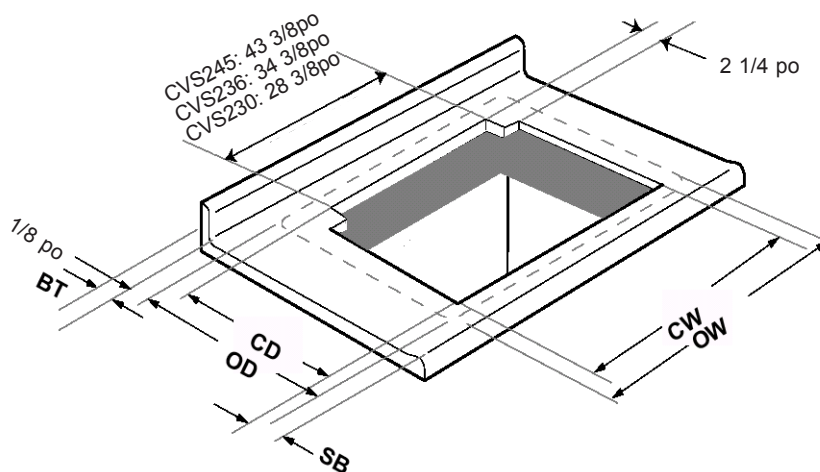


Figure 7

INSTALLATION AVEC AUTRES PLAQUES DE CUISSON OÙ SPÉCIFIÉ (VOIR SECTION B)

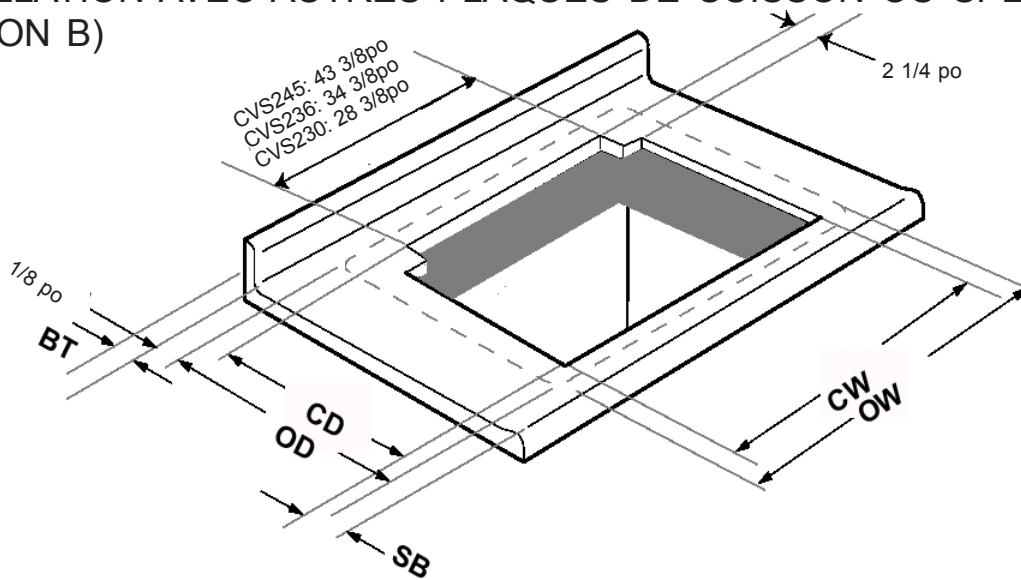


Figure 8

B. INSTALLATION AVEC AUTRE MARQUE DE PLAQUE DE CUISSON (figure 8)

Avoir les dimensions de plaque de cuisson suivantes avant de commencer. Mesurer toutes les dimensions de plaque de cuisson avant de couper le plan de travail :

CCW = largeur de découpe de plaque de cuisson
 CCD = profondeur de découpe, plaque de cuisson
 COW = largeur hors tout de plaque de cuisson
 COD = profondeur hors tout, plaque de cuisson

avec les dimensions ci-dessus, déterminer la dimension de la découpe comme suit :

1. Trouver la largeur de découpe (CW) :

Si CCW est **plus petit** que la largeur de découpe UCV :

Installation	CW
CVS230	28 ^{3/8}
CVS236	34 ^{3/8}
CVS245	43 ^{3/8}

Si CCW est plus large que la largeur de découpe UCV :

CW = CCW

Voir figure 8 pour les largeurs de découpe UCV et les définitions de dimensions.

2. Calculer la profondeur de découpe, CD :

Déterminer le rebord de la plaque de cuisson (CO)

CO = (COD-CCD)/2 (en supposant que les rebords

avant et arrière de la plaque de cuisson sont égaux).
 Calculer la profondeur de découpe (CD) :

CD = COD - CO + 1-^{7/8} po

3. Déterminer la distance de retrait SB du devant de la plaque de cuisson au devant de la découpe. SB est spécifié dans les instructions d'installation de la plaque de cuisson.

4. L'épaisseur du dosseret ne doit pas excéder BT comme calculé ci-dessous :

BT = 24 ^{7/8} po - OD - SB + CO

(donne un dégagement 1/8 po entre l'évent et le dosseret). Une valeur négative pour BT indique que le plan de travail est trop petit pour l'installation.

5. S'assurer que le plan de travail plat disponible a une largeur plus grande que OW et une profondeur plus grande que OD.

OW dépend de l'installation :

CVS30: OW égal le plus grand de COW ou 30 po.

CVS36: OW égal le plus grand de COW ou 36 po.

CVS45: OW égal le plus grand de COW ou 45 po.

OD est déterminé par : OD = COD + 2^{1/8} po.

6. Couper le plan de travail avec les dimensions : CD, CW et SB comme définies à la figure 8.

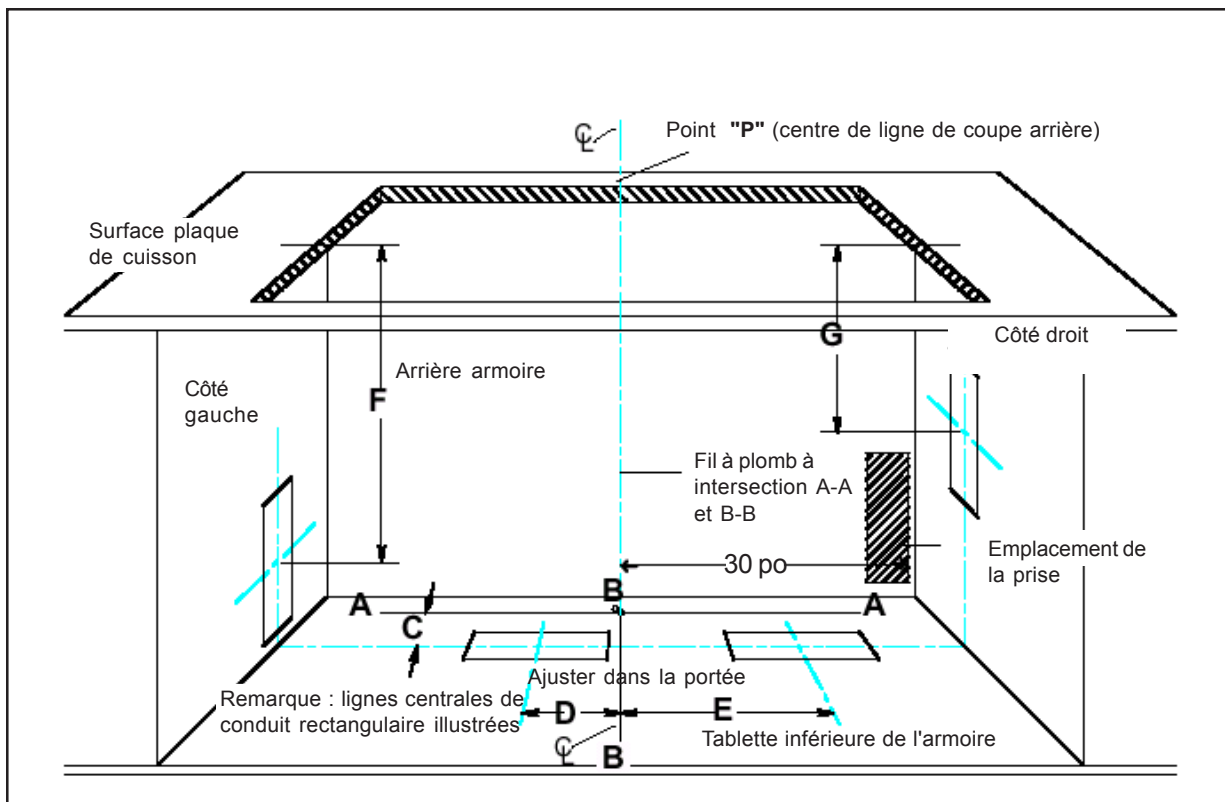


Figure 9 : découpe d'armoire pour conduits

Dimensions de découpe d'armoire pour soufflerie

C	D	E	F	G
6 3/8 po	14 1/2 po	1 7/8 po	15 1/2 po	9 3/4 po

Tableau 4 : dimensions de découpe d'armoire

ÉTAPE 3 : préparer les découpes de conduits dans l'armoire

- A. Voir figure 9. Tirer une ligne du point P au centre arrière de la découpe du plan de travail. Marquer ce point au bas de l'armoire en dessous. Établir deux lignes de références par ce point ; un doit être parallèle au devant de l'armoire et directement sous la découpe du plan de travail arrière et l'autre (ligne B-B) doit être à angle droit A-A.
- B. Utiliser ces lignes de références comme base aux mesures montrées au tableau 4, établir les découpes d'armoire nécessaires pour mettre en place le chemin de conduit planifié. Où une gamme de mesures est notée, choisir une mesure qui offre le meilleur dégagement des montants de murs, plafonds, services utilitaires et autres obstructions.
- C. Mettre temporairement l'entrée et la plaque de cuisson en place et fixer la soufflerie intégrée (ou raccord de transition de conduit si soufflerie à distance installée). Voir étapes 6 et 7. S'assurer que les découpes de conduit marquées correspondent à l'installation des ferrures. Ajuster la découpe de conduit comme nécessaire pour correspondre à l'installation de ferrure.
- D. Enlever temporairement les ferrures placées et faire les découpes dans l'armoire pour accommoder l'installation de conduit.
- E. Faire toutes les modifications d'armoire nécessaires pour assurer les dégagements appropriés pour les tiroirs ou tablette amovible.

Étape 4 : installer les conduits (soufflerie à distance, si utilisée)

- A. Installer les conduits et la soufflerie à distance (si utilisée) conformément au chemin de conduit établi à l'étape 1.
- B. S'assurer que l'installation est conforme à toutes les directives d'installation au tableau 2. Vérifier aussi si l'ouverture où passe le conduit par le mur extérieur ou toit a été bien ajustée et scellée pour empêcher les fuites.
- C. Si l'on utilise une soufflerie intégrée, modèle VTN600CV2C, passer à l'étape 5.
- D. Si l'on utilise une soufflerie à distance, modèle VTR600R ou VTR1000Q, voir les instructions d'installation fournies avec ce modèle.

Étape 5 : installation de l'électricité

Vérifier les codes de construction locaux pour la méthode appropriée d'installation. Aux É.-U., s'il n'y a pas de codes locaux, cet appareil doit être installé conformément au Code national d'électricité, ANSI/NFPA No. 70, édition courante. (Au Canada, l'installation doit être conforme avec CAN 1-B149.1 and .2 - ; codes d'installation pour appareils à gaz et/ou les codes locaux).

L'appareil doit être mis à la terre. Dans le cas d'un court-circuit électrique, la mise à la terre réduit le risque de choc électrique en fournissant un chemin pour le courant électrique. Cet appareil est doté d'un cordon ayant un fil de mise à la terre avec une fiche mise à la terre. La fiche doit être branchée sur une prise adéquatement installée et mise à la terre.

AVERTISSEMENT – une mise à la terre inadéquate peut causer un risque de choc électrique.

Consulter un électricien qualifié si les instructions de mise à la terre ne sont pas entièrement comprises ou s'il existe un doute quant à la mise à la terre appropriée de l'appareil.

Ne pas utiliser de rallonge. Si le cordon d'alimentation est trop court, demander à un électricien qualifié d'installer une prise à proximité de l'appareil.

La prise doit être située sous le plan de travail afin que le cordon d'alimentation de 30 po depuis l'évent puisse l'atteindre. Voir figure 9. Le cordon doit être acheminé sous l'appareil et loin de la chaleur générée par la plaque de cuisson. L'accès ne doit pas être obstrué par la soufflerie, armoire, conduit ou services électrique/gaz pour la plaque de cuisson. Toute l'alimentation pour le système d'évent incluant la soufflerie à distance, si utilisée, est fournie par le cordon à l'appareil d'entrée. La sortie peut habituellement être allongée depuis une autre prise de la cuisine ou avoir sa propre prise depuis le panneau de service principal.

Ne pas brancher le cordon d'évent sur la prise avant l'étape 8.

Étape 6 : installation de l'évent et de la plaque de cuisson

- A. Enlever les filtres à graisse et tout matériel d'emballage à l'intérieur de l'entrée.
- B. Régler l'entrée d'évent à l'arrière de l'ouverture du plan de travail. Mettre délicatement en position afin que les rebords sur les côtés arrière et que les bords supportent entièrement l'appareil suspendu au plan de travail.
- C. Maintenir l'appareil contre l'arrière de l'ouverture de la plaque de cuisson, faire glisser la fixation de pied vers le bas pour rencontrer le bas de l'armoire. Vérifier et régler le niveau, puis fixer les fixations pieds à l'armoire avec les ferrures comprises.
- D. Placer la plaque de cuisson dans l'ouverture du plan de travail avec le bord de la plaque superposé au bord avant de l'évent. **S'assurer que le bord arrière de la plaque de cuisson n'est pas plié contre le devant de l'élévateur.** Suivre les instructions d'installation du fabricant pour l'installation des bandes de joint, ruban protecteur de chaleur (si requis). Fixer de façon sécuritaire la plaque de cuisson au plan de travail et effectuer les connexions électrique et/ou à gaz de la plaque de cuisson.

Étape 7 : installer la soufflerie intégrée ou la transition de conduit de sortie pour la soufflerie à distance

Soufflerie intégrée VTN600 (voir figures 10 et 12 pour plus de détails) :

- Fixer la soufflerie à l'avant de la sortie d'échappement ronde avec 4 à 6 vis à métal (selon la configuration), n° 8.
- Alimenter le cordon de la soufflerie par l'élévateur.
- Fixer le réducteur de tension avec les vis.
- Fixer le réducteur de tension au contre-tirage près de la boîte de jonction.
- Brancher le cordon sur le contre-tirage au connecteur à 6 broches.
- Brancher la soufflerie sur le conduit.

Soufflerie à distance VTR600R ou VTR1000Q (voir figures 11 et 12 pour plus de détails) :

- Retirer le couvercle de la boîte de jonction et brancher le conduit avec 5 vis depuis la soufflerie à distance. Brancher les fils selon le diagramme de câblage, figure 10. Remettre le couvercle de la boîte, Fig. 10. Remettre le couvercle de la boîte de jonction.
- Fixer la transition de conduit sur les trous de fixations avec les vis à métal.
- Acheminer le tire-bouchon de la soufflerie à distance par le réducteur de tension.
- Fixer le réducteur de tension sur le contre-tirage près de la boîte de jonction.
- Brancher le tire-bouchon sur le contre-tirage au connecteur à 6 broches
- Acheminer les fils tire-bouchon à la boîte de jonction.
- Dans la boîte de jonction, brancher le conduit avec 5 fils de la soufflerie à distance. Utiliser un connecteur de conduit pour sécuriser.

Remarque : la soufflerie et la boîte de transition de conduit peuvent être installées avec la sortie de conduit gauche, vers le bas ou la droite. Installer la soufflerie ou la transition de conduit de façon à ce que le panneau d'accès puisse être enlevé pour le service.

Figure 10 - soufflerie intégrée

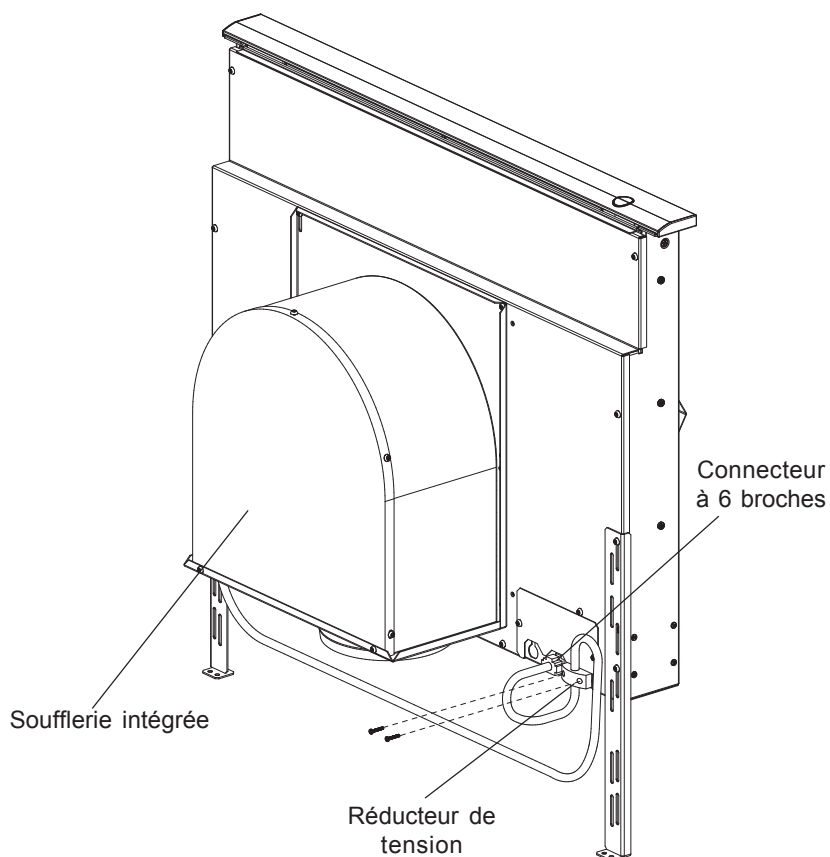


Figure 11 - soufflerie à distance

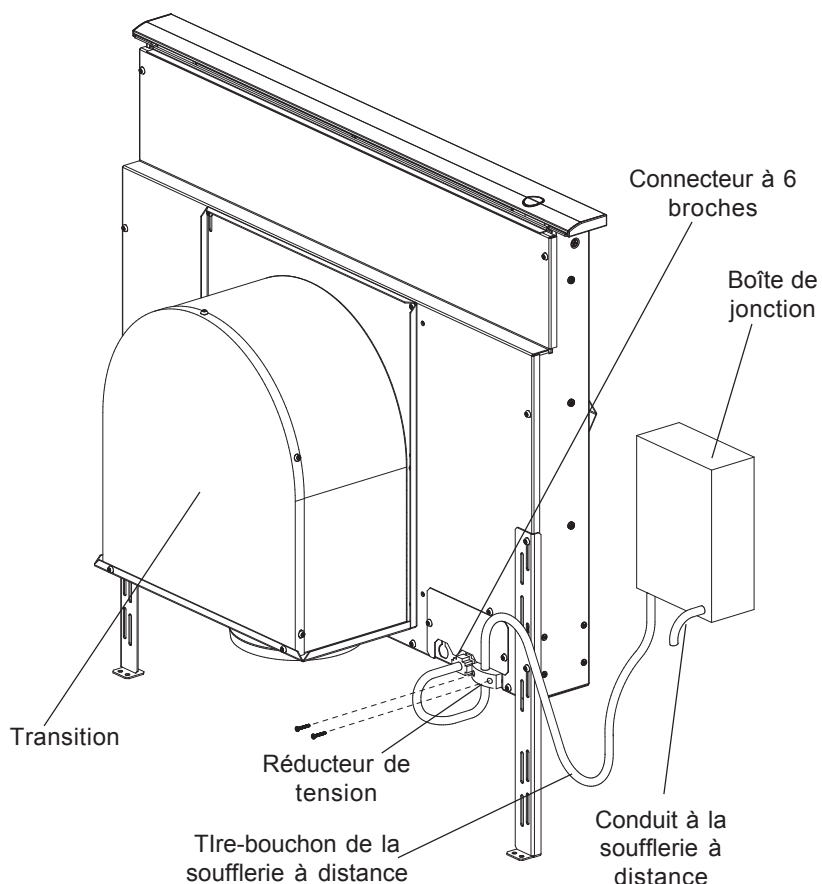
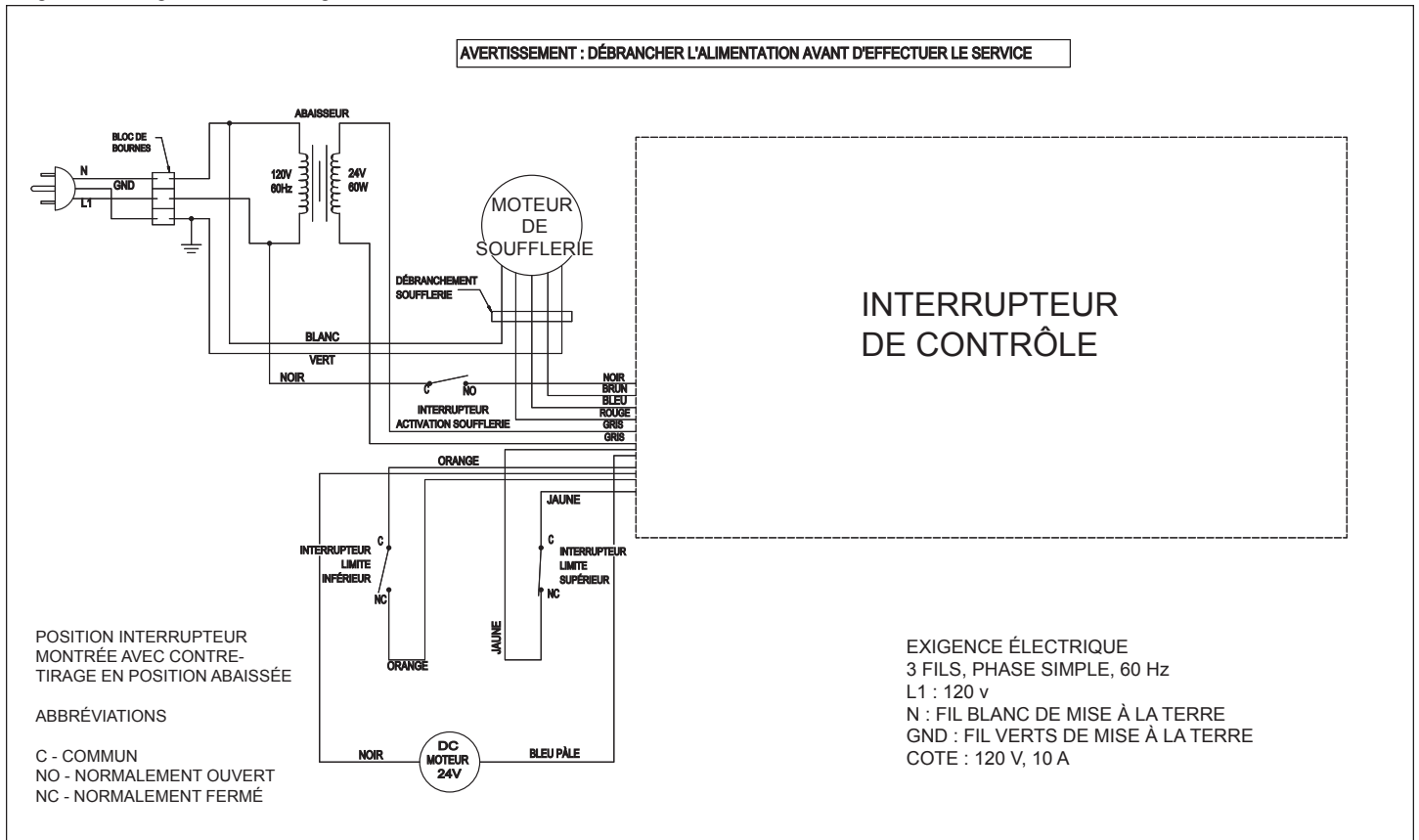


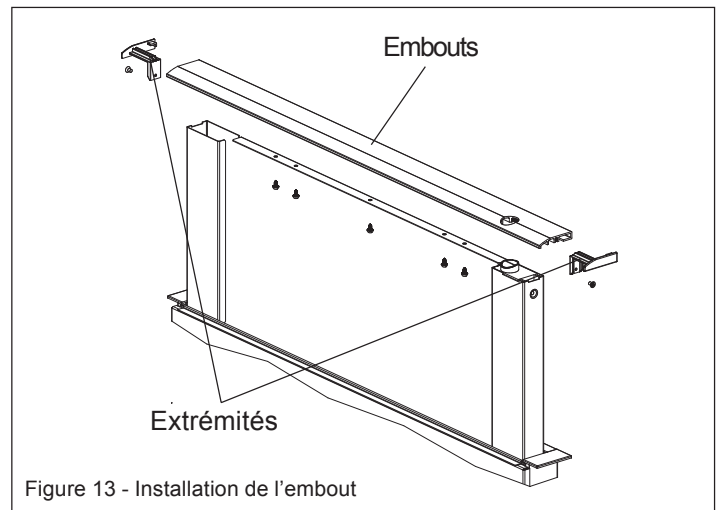
Figure 12 - diagramme de câblage



Étape 8 : installation de l'embout assorti (si applicable)

Le contre-tirage est expédié de l'usine avec un embout en acier inoxydable. Les embouts assortis en blanc et noir sont disponibles comme pièces accessoires.

- A. Enlever les filtres et les mettre de côté. Enlever 4 vis depuis le dessous de l'embout et deux vis (une de chaque côté) des extrémités. Jeter les embouts et les extrémités. Mettre les vis de côté.
- B. Installer les nouvelles extrémités et les nouveaux embouts, figure 13, (insérer l'extrémité d'abord). Remettre les vis.



Étape 9 : vérifier l'installation, le fonctionnement et l'alignement de la plaque de cuisson

Avant d'effectuer cette marche à suivre, s'assurer que tout matériel d'emballage a été enlevé à l'intérieur de l'élevateur et que les filtres à graisse et le panneau avant sont bien installés. Consulter le guide d'entretien et d'utilisation concernant les instructions relatives à l'installation des filtres et du panneau avant.

Brancher le cordon d'alimentation de l'évent sur une prise électrique appropriée et s'assurer que le circuit est sous tension.

- A. Élever l'élevateur en position maximale en pressant la touche UP/DOWN une fois (figure 12). Ne pas maintenir la touche. Le moteur s'arrête lorsque l'élevateur atteint sa pleine hauteur. (Remarque : la soufflerie ne fonctionne pas à moins que l'élevateur ne soit complètement élevé).
- B. Retirer la pellicule protectrice du dessus.
- C. Mettre la soufflerie en circuit en choisissant une des 3 vitesses. La laisser fonctionner quelques minutes à chaque vitesse pour évaluer le rendement.
- D. La soufflerie fonctionnant, abaisser l'élevateur à sa position rétractée en pressant la touche UP/DOWN. La soufflerie se met immédiatement hors circuit.
- E. La soufflerie en position élevée, fermer fenêtres et portes de l'espace pour s'assurer que le ventilateur ne cause pas un contre-tirage dans tout évent de sortie d'autres appareils.
- F. Élever et abaisser de nouveau l'évent et s'assurer que l'embout sur l'élevateur n'accroche pas le bord arrière de la plaque de cuisson lorsqu'il est abaissé. S'il y a une interférence, régler la position de la plaque de cuisson en la déplaçant contre le bord avant de la découpe, puis fixer la plaque de cuisson au plan de travail. Si l'interférence n'est pas éliminée, cela peut causer des dommages à l'évent. De plus, s'assurer que les pieds supports de l'évent sont fixés adéquatement à la base de l'armoire avec les vis fournies.

Si le système d'évent ne fonctionne pas adéquatement pendant une des marches à suivre susmentionnées, revoir toutes les étapes des instructions d'installation pour s'assurer que rien n'a été oublié. Consulter le guide d'utilisation et d'entretien ou téléphoner au service à la clientèle Thermador au 1.800.735.4328.

INSTRUCCIONES DE SEGURIDAD

Lea todas las instrucciones antes de usar el aparato.

LEA Y GUARDE ESTAS INSTRUCCIONES

ADVERTENCIA

PARA REDUCIR EL RIESGO DE FUEGO, DESCARGAS ELÉCTRICAS O SUFRIR LESIONES, OBSERVE LO SIGUIENTE:

- A. El trabajo de instalación y la instalación eléctrica deben ser realizados por una persona calificada de acuerdo con todos los códigos y normas aplicables, incluyendo los códigos de construcción con respecto a incendios.
- B. Se necesita suficiente aire para lograr una combustión apropiada y para sacar los gases a través de la chimenea del quemador de gas combustible para evitar el reflujo. Siga las pautas del fabricante del calentador y las normas de seguridad, tal como las que fueron publicadas por la Asociación Nacional de Protección contra Fuegos (NFPA) y la Sociedad Americana para Ingeniería de Calefacción, Refrigeración y Aire Acondicionado (ASHRAE) y de las autoridades locales.
- C. No dañe el cableado eléctrico y otras instalaciones ocultas cuando corte o perfora la pared o el techo.
- D. Ventiladores entubados deben ser ventilados hacia el exterior.
- E. Siempre desenchufe o desconecte el tiro descendente de la fuente de alimentación antes de dar servicio.
- F. Esta unidad fue diseñada para uso exclusivo en interiores. Use esta unidad solamente para el uso intencionado por el fabricante.

ADVERTENCIA

PRECAUCIÓN: Solamente para uso de ventilación general. No se debe usar para extraer materiales y vapores peligrosos o explosivos.

Para reducir el riesgo de fuego y para extraer el aire correctamente, asegúrese de conducir el aire hacia el exterior. No extraiga el aire de escape a espacios dentro de paredes, techos, áticos, espacios para arrastrarse o garajes.

PARA REDUCIR EL RIESGO DE FUEGO, UTILICE SOLAMENTE DUCTOS DE METAL.

Para reducir el riesgo de fuego, descargas eléctricas y sufrir lesiones, se deben instalar los conjuntos de ventiladores, en todos los modelos CVS, con el ventilador integral, Modelo VTN600CV2 o los ventiladores remotos modelo VTR600R o VTR1000Q. No se pueden sustituir otros ventiladores.

Para reducir el riesgo de un fuego o de una descarga eléctrica, no use el ventilador con un regulador de velocidad de estado sólido.

Este aparato cumple con la norma UL507 para ventiladores eléctricos y la norma canadiense CAN/CSA-22.2 No. 113 para ventiladores. Es la responsabilidad del propietario y del instalador determinar si aplican requerimientos o normas adicionales en instalaciones específicas.

Esta unidad ha sido fabricada exclusivamente para uso en interiores. No utilice esta unidad en exteriores.

Partes que se necesitan

- Ventilador (remoto o integral)
- Cinta de medir
- Destornillador de cabeza Phillips (de cruz)
- Cinta para ductos
- Ductos (configuración varía dependiendo del lugar; Vea las páginas 4-7 para más información)
- Tornillos autorroscantes adicionales (de plancha) (según sea necesario para instalar los ductos)
- Transición(es) (estilo varía dependiendo del ducto)
- Caja de transición disponible para instalaciones del ventilador remoto como accesorio.
- Cerrucho (o equivalente para recortar la cubierta)
- Tornillos para madera (4) #8 x 1 1/4"

Partes que se incluyen

- Conjunto del tiro descendente (1)
- Tornillos autorroscantes (de plancha) #8 (8)
- Protector de tensión del cable del ventilador (1)
- Utensilios para soportes en el ventilador (2)
- Cable flexible del ventilador remoto

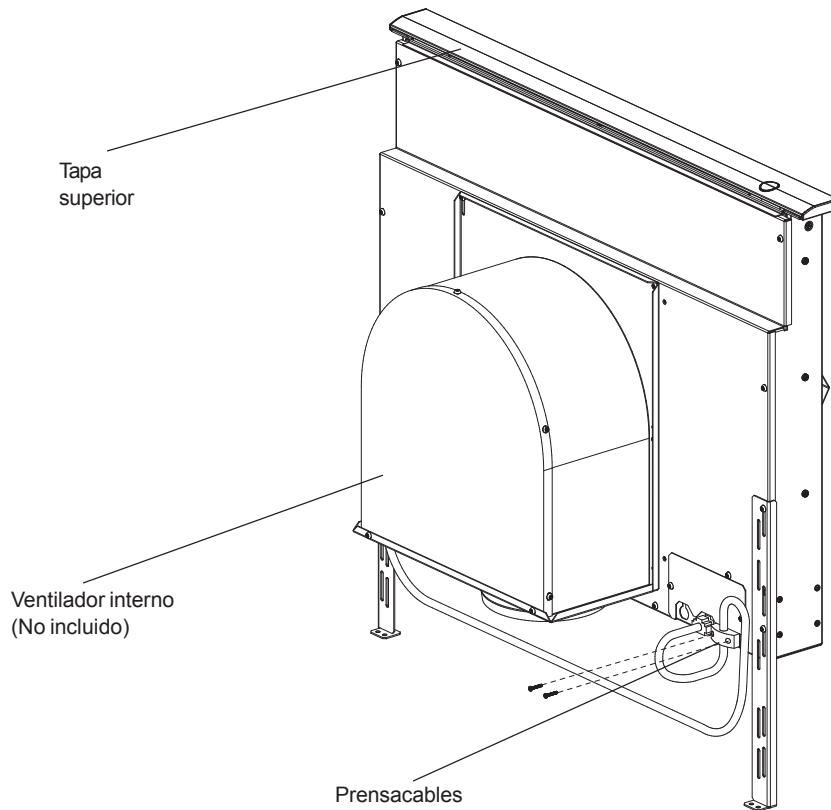


Figura 1

INTRODUCCIÓN

DESCRIPCIÓN GENERAL

El sistema completo del tiro descendente consiste en el ventilador y la toma de aire (vea Fig. 1). El ventilador puede ser **integral** (montado sobre la toma de aire del ventilador en el gabinete abajo de la parrilla) o una unidad **remota** (montada en el techo o la pared exterior). Cuando se utiliza un ventilador remoto, se debe montar una transición de ducto en la toma de aire del ventilador en lugar del ventilador integral para conectar la toma de aire al ducto. Se debe comprar la transición por separado.

Se puede montar el ventilador integral o la transición del ducto en posiciones diferentes sobre la toma de aire para enrutar los ductos y evitar gabinetes, bastidores, otras conexiones de gas, luz, agua, etc.

El sistema del tiro descendente está disponible en modelos de 30 pulgadas, 36 pulgadas y 45 pulgadas, con la moldura para la cubierta en acabado de acero inoxidable, negro o blanco. Se puede utilizar con todas las marcas y modelos de parrillas residenciales eléctricas o de gas de 30, 36 o 45 pulgadas **excepto con parrillas y estufas tipo profesionales.**

Paso 1: PLANEAR LA INSTALACIÓN

Siga los procedimientos de planeación a continuación cuidadosamente (Vea la Figura 2).

- A. Determinar si se va a utilizar un ventilador remoto o integral. **La instalación de un ventilador remoto requiere 4 cables más un cable de tierra desde el tiro descendente al ventilador.**
- B. Asegurarse de proporcionar el espacio apropiado de gabinete y cubierta y que la toma de aire quede accesible por si se requiere dar servicio.
- C. Considerar las corrientes cruzadas, creadas por ventanas o puertas abiertas
- D. Para instalaciones de parrillas de gas, asegurar una abertura mínima de 10 pulgadas cuadradas (64.5 cm²) en el área del panel de pie u otra área del gabinete. Una ventilación incorrecta del gabinete abajo de la parrilla puede provocar que se apaguen las llamas al operar el sistema de ventilación.
- E. Proporcionar suministro de aire o "aire necesario" al cuarto donde se va a instalar la unidad. Cuando no se proporciona el "aire necesario", entonces se pueden presentar problemas tal como corrientes descendientes del tiro de una chimenea.

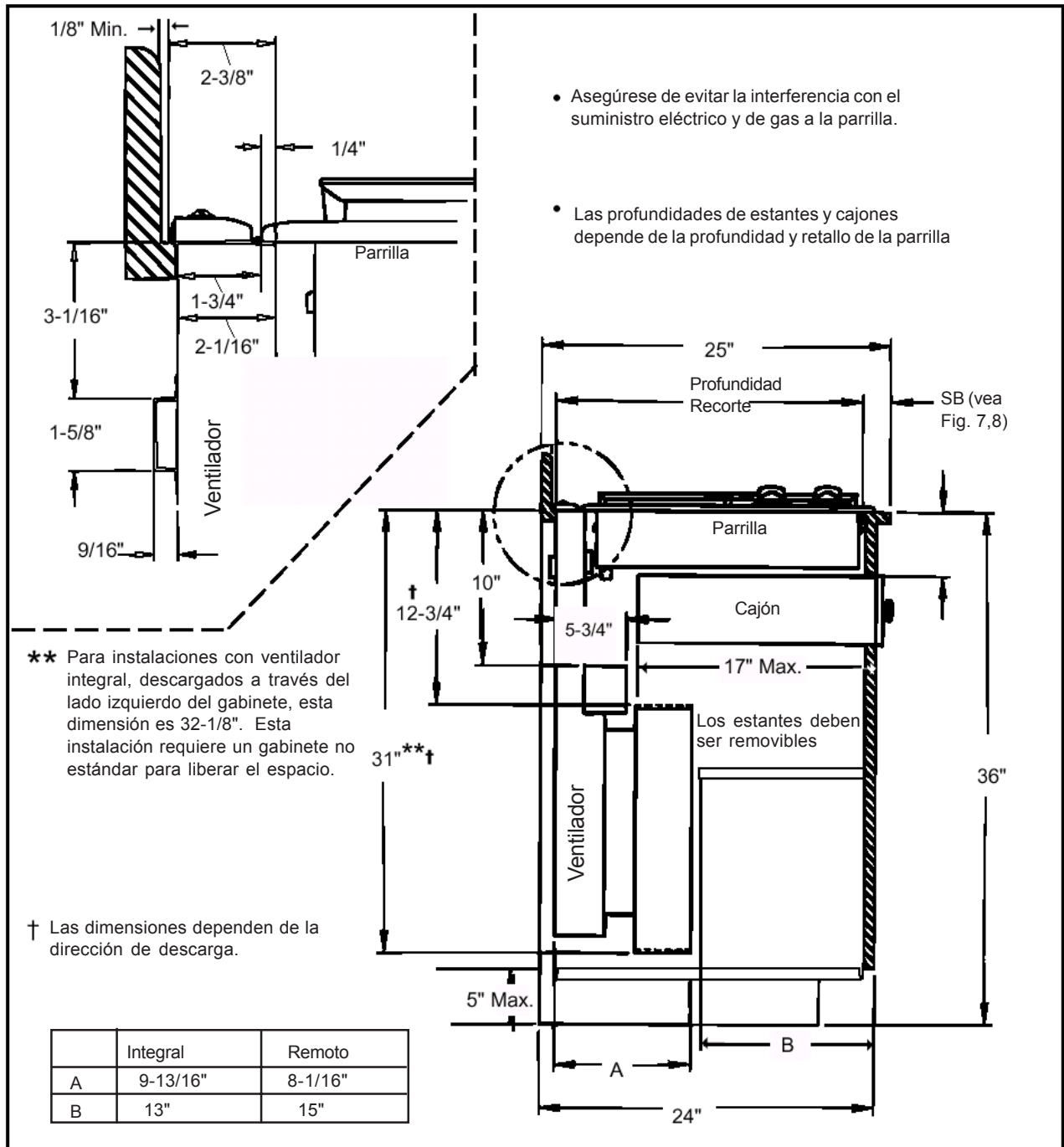


Figura 2

F. Investigar posibles rutas de los ductos y escoger la ruta más corta posible desde la unidad a una pared exterior o al techo vía una pared interior y ático. Las figuras 3 hasta 6 muestran instalaciones típicas de ductos como ejemplos. La instalación en una isla requiere colocar los ductos debajo del piso. Instalaciones en península generalmente requieren los ductos a lo largo a través de los gabinetes o debajo de los espacios para los pies en los gabinetes. Considerar posibles interferencias con los ductos debido a bastidores y marcos de construcción (viguetas de piso, pernos de pared, etc.) e instalaciones de servicios (cableado eléctrico, líneas de gas, agua o de desagüe, etc.).

G. Determinar si la ruta elegida del ducto satisficará los requerimientos de desempeño del sistema de ventilación. Para ello, debe medir las longitudes necesarias del ducto y determinar las conexiones específicas que se requieren. Anotar estos datos en los espacios proporcionados en la Tabla 1 (vea Página 6). Para recorridos de ductos mayores de 100 pies (254 cm), favor de contactar al servicio de cliente para recibir estimaciones del desempeño. Además, se deben observar los lineamientos para instalación de ductos en la Tabla 2 (vea Página 7) cuando desarrolla un plan para colocar los ductos.

H. Comparar los ductos necesarios de acuerdo con la lista desarrollada en G, arriba.

Figuras 3 a 6 son ejemplos de posibles ductos

Ventilador remoto
 Instalación con montaje en el techo

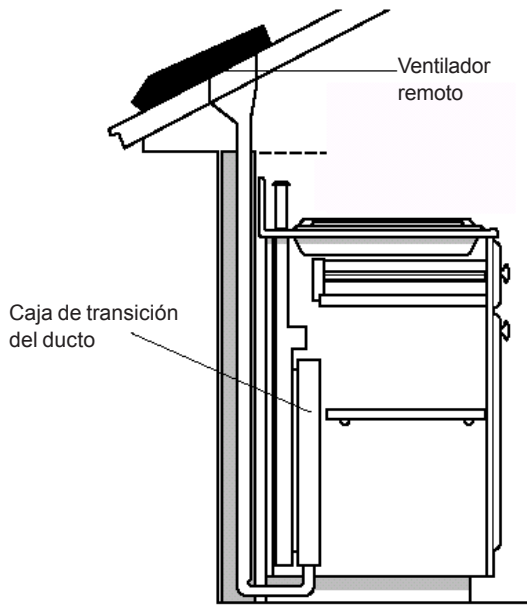


Figura 3

Ventilador integral
 Instalaciones a través de la pared

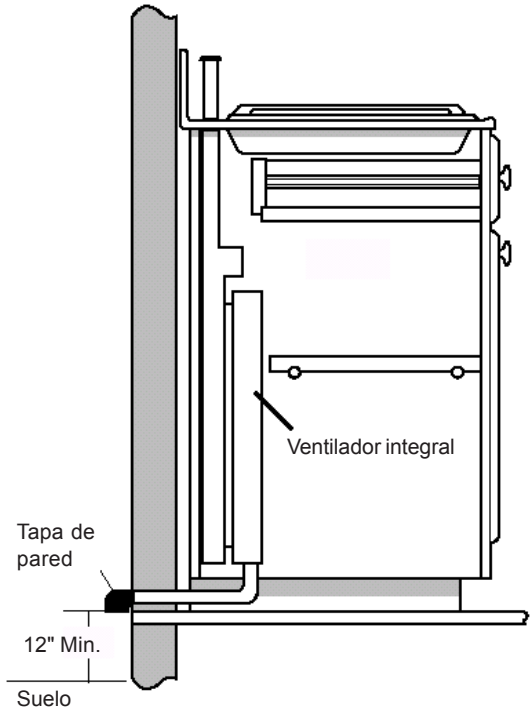


Figura 4

Ventilador integral
 Instalación a través de la pared

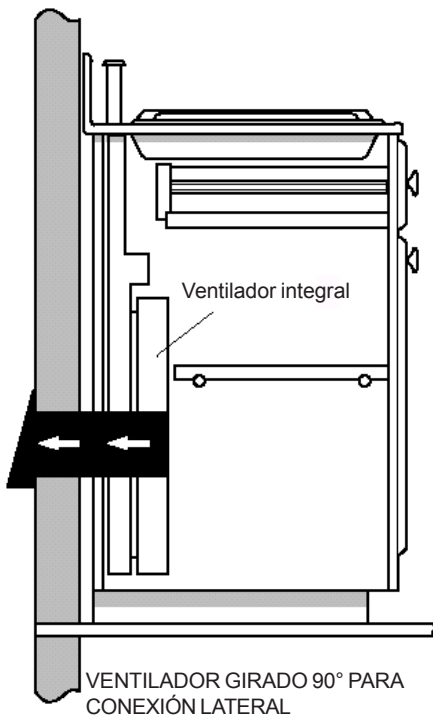


Figura 5

Ventilador remoto
 Instalación a través de la pared

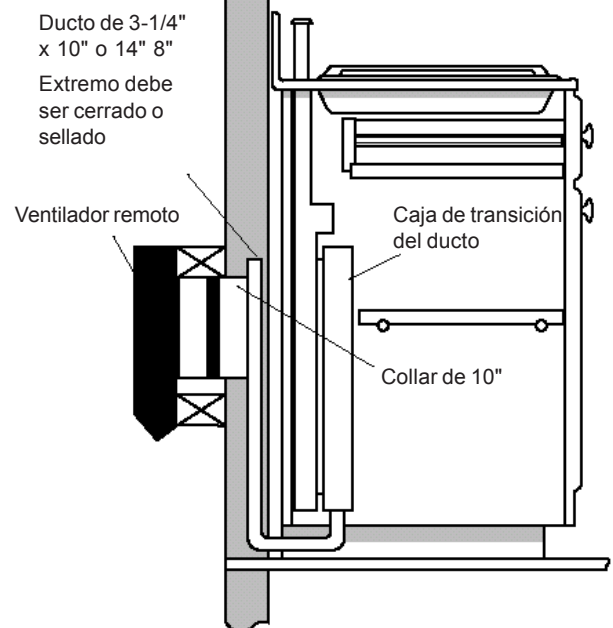

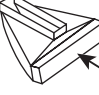

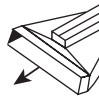

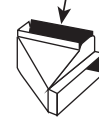

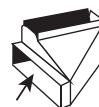


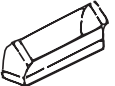




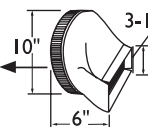

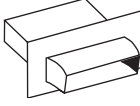



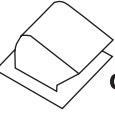


Figura 6

PIEZAS DE DUCTOS	TAM-AÑO	LONGITUD EQUIVALENTE	CANTIDAD UTILIZADA	TOTAL DE LA LONGITUD EQUIVALENTE	PIEZAS DE DUCTOS	TAM-AÑO	LONGITUD EQUIVALENTE	CANTIDAD UTILIZADA	TOTAL DE LA LONGITUD EQUIVALENTE
 TUBO REDONDO RECTO	6"	1.2'			 3-1/4" x 10" CODO INVERTIDO CENTRAL DE IZQUIERDA	N/A	15'		
	7"	0.95'							
	8"	0.7'							
	10"	0.6'							
	3-1/4" x 10" RECTO	1'			 3-1/4" x 10" CODO INVERTIDO CENTRAL DE DERECHA	N/A	25'		
	3-1/4" x 14" RECTO	0.7'							
 CODO REDONDO DE 90°	6"	12'			 3-1/4" x 10" CODO INVERTIDO DERECHO	N/A	25'		
	7"	8'							
	8"	6'							
 CODO REDONDO DE 45°	6"	5'			 3-1/4" x 10" CODO INVERTIDO IZQUIERDO	N/A	15'		
	7"	4'							
	8"	3'							
 CODO DE 90° DE 3-1/4"X10"	N/A	5'			 TAPA REDONDA DE PARED Modelo #WC8 Modelo # WC10	6"	2'		
						7"			
						8"			
						10"			
 CODO DE 45° DE 3-1/4"X10"	N/A	15'			 TAPA REDONDA PARA TECHO	6"	2'		
						7"			
						8"			
 3-1/4"X10" CODO PLANO	N/A	20'			 2' DE LARGO 3-1/4" x 10" MODELO FLEXIBLE #RD 1	20'			
 TUBO REDONDO A 3-1/4"X10"	6"	1'			 3-1/4" x 10" A TUBO REDONDO MODELO 310TR10	1'			
	7"	1'							
 3-1/4"X10" A TUBO REDONDO	6"	5'			 3-1/4" x 10" TAPA PARA TECHO Model WC310	2'			
	7"	3'							
 TUBO REDONDO A CODO DE 90° DE 3-1/4"X10"	6"	10'			 MODELO #140 DEL REGULADOR DE CONTRATIPO EN LÍNEA DE 7"	5'			
	7"	8'							
 CODO DE 90° DE 3-1/4"X10" A TUBO REDONDO	6"	10'			 3-1/4"x10" BASE DE TECHO Y CONTRAVENTANA MODELO RJ310	5'			
	7"	5'							

NOTA: Las conexiones mencionadas con el número de modelo están disponibles con su distribuidor de Thermador. Todas las demás conexiones están disponibles en la mayoría de las ferreterías.

TOTAL (de ambas columnas)=
 DEBE ser MENOS que:
 Ventilador integral - 85 pies (216 cm)
 Ventilador remoto - 70 pies (178 cm)

TABLA 2. LINEAMIENTOS PARA LA INSTALACIÓN DE DUCTOS

- Por motivos de seguridad, los ductos deben extraer el aire directamente hacia el exterior (no hacia un ático, debajo de la casa, al garaje o un espacio confinado).
- Los tramos de los ductos deben quedar lo más cortos y rectos posible.
- Las conexiones de ductos (codos y transiciones) reducen la eficiencia del flujo de aire.
- Los codos conectados uno al otro y los giros en forma de una "S" reducen el flujo y no se recomiendan.
- Un ducto corto y recto a la entrada del ventilador remoto produce el mejor rendimiento.
- Transición al ducto redondo del ventilador integral o transición de ducto remoto lo más cerca posible al tiro. En orden de preferencia, utilizar
 - 1er ducto redondo de 10"
 - 2do ducto redondo de 8"
 - 3er ducto 3-1/4" x 14"
 - 4to ducto redondo de 7"
 - 5to ducto de 3-1/4" x 10"
 - 6to ducto redondo de 6"
- Solamente se deben usar ductos redondos flexibles de metal cuando no existe ninguna otra conexión de ductos. Limitar el uso a longitudes cortas y no doblarlos en las esquinas.
- Donde los códigos locales lo permiten, se puede utilizar tubo de plástico (tubo de PVC calibre 40 o tubo ABS con diámetro de 7" o 8") en áreas con elevada humedad y en pisos de losa para eliminar la futura oxidación.
- Utilizar solamente ductos construidos de materiales aceptables por los códigos aplicables. Todos los ductos deben ser de calibre 26 o más grueso para minimizar la flexión debido al flujo de aire.
- El ventilador remoto requiere un ducto redondo con diámetro de 10" o 8" para hacer juego con el anillo de entrada. Se necesita una transición para otros tamaños de ductos.
- Usar tornillos autorroscantes como se requieren para soportar el peso del ducto y selle todas las uniones con cinta para ductos.
- Asegurarse que el ducto no interfiera con las viguetas de piso o pernos de pared.
- No extraer el aire de más de una ventilación a un solo tramo del ducto.
- Se deben usar barreras térmicas, como una sección corta de ducto no metálico en áreas muy frías.
- Siempre utilizar una tapa apropiada de techo o pared con un regulador de tiro. Nunca se deben usar tapas de pared tipo lavandería.

Paso 2: Preparar el recorte en la cubierta

Para una instalación con parrilla Thermador, consultar la Parte A (a la izquierda) y la Figura 7 (Página 8). Para una instalación con parrilla de otra marca, consultar la Parte B (Página 9).

Verificar para todas las instalaciones, que todos los recortes liberen el interior del riel de soporte delantero de la cubierta, y que la parrilla y la ventilación queden centradas de izquierda a derecha dentro del recorte. Además, asegurar que los recortes en la parte delantera y trasera estén rectos y paralelos al borde delantero de la cubierta y la salpicadura trasera y/o la pared. Asegurar que los recortes laterales estén cuadrados a los recortes de la parte delantera y trasera. Todas las ilustraciones y dimensiones se basan en gabinetes estándar estilo americano de 24" de profundidad por 36" de altura con cubiertas de 25".

Cuando instale cubiertas laminadas o con superficies sólidas como Surell™ y Corian®, asegurarse de seguir las instrucciones del fabricante de la cubierta con respecto a los mínimos radios de esquinas, el refuerzo de las esquinas, etc.

Consulte las instrucciones de instalación de la parrilla para los espacios libres de gabinetes elevados y los costados de la parrilla.

A. Para la instalación con parrilla Thermador (Figura 7 y Tabla 3)

Proporcionar una abertura en la cubierta como se especifica en la Tabla 3 (Página 8). Asegurar que la distancia del frente de la cubierta al frente del recorte no sea menos que la dimensión "SB". Verificar que la cubierta plana disponible sea más grande que las dimensiones "OW" por "OD". Asegurar que el grosor de la salpicadura trasera no rebase la dimensión "BT".

TABLA 2: DIMENSIONES DE INSTALACIÓN PARA CVS30R/ 36R/ 45R CON PARRILLA THERMADOR

No. de modelo de parrilla	CW Ancho del recorte	CD Profundidad del recorte	OW Ancho general	OD Profundidad general	SB Mínimo retallo	BT, Max++ Grosor de la salpicadora trasera
30" Parillas: instaladas con UCV30						
SGS304*	28-15/16	22-1/4	31	23-3/4	1-1/2	3/4
SGSX304*	28-15/16	22-1/4	31	23-3/4	1-1/2	3/4
CET304	28-3/4	22-1/8	31	23-7/8	2-1/2	0
CEP304	28-3/4	22-1/8	31	23-7/8	2-1/2	0
CEM304	28-3/4	22-1/8	31	23-7/8	2-1/2	0
36" Parillas: instaladas con UCV36						
SGS365**	34-15/16	22-1/4	37	23-3/4	1-1/2	3/4
SGSX365**	34-15/16	22-1/4	37	23-3/4	1-1/2	3/4
CET365	34-3/4	22-1/8	37	23-7/8	2-1/2	0
CEP365	34-3/4	22-1/8	37	23-7/8	2-1/2	0
CEM365	34-3/4	22-1/8	37	23-7/8	2-1/2	0
45" Parillas: instaladas con UCV45						
SGS456	43-15/16	22-1/4	46	23-3/4	1-1/2	3/4
SGSX456	43-15/16	22-1/4	46	23-3/4	1-1/2	3/4
CET456	43-3/4	22-1/8	46	23-7/8	2-1/2	0
CEP456	43-3/4	22-1/8	46	23-7/8	2-1/2	0
CEM456	43-3/4	22-1/8	46	23-7/8	2-1/2	0

Tabla 2 Notas

* La dimensión "SB" es la mínima distancia del borde delantero de la cubierta al borde delantero del recorte.

++La dimensión "BT" es el espesor de la salpicadura trasera que proporciona 1/4" de espacio libre entre la ventilación y la salpicadura. Una salpicadura con radio curvado donde hace contacto con la cubierta va a necesitar un espacio libre adicional. Salpicaduras más gruesas requieren mayor espacio libre. Se pueden usar salpicaduras más gruesas aumentando las profundidades de la cubierta y del

gabinete.

Todas las dimensiones son en pulgadas y se basan en un gabinete estándar de 24" de profundo con cubiertas de 25".

** Las parrillas SGC y SGCS son 1" más anchas en el centro de la parrilla que aparece en la tabla de arriba.

Debe consultar las instrucciones de instalación de la parrilla para más información antes de hacer los recortes.

Se proporciona el espacio libre para poder elevar la parte superior principal con bisagras.

INSTALACIÓN CON PARRILLAS THERMADOR CUANDO SE ESPECIFICAN

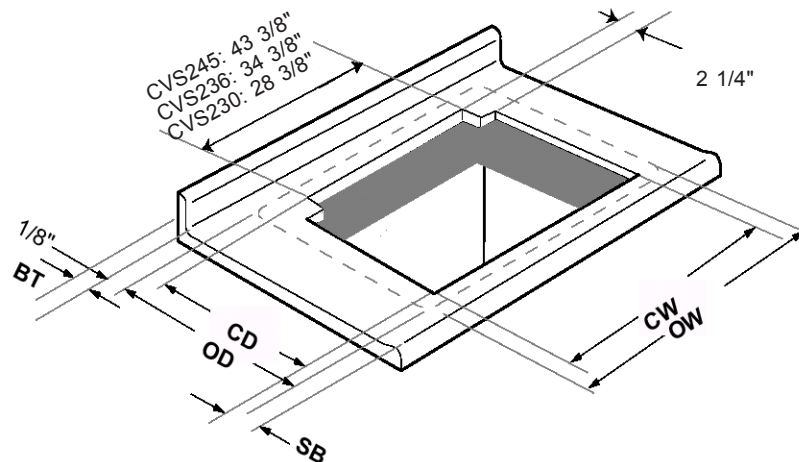


Figura 7

INSTALACIÓN CON OTRAS PARRILLAS DONDE SE ESPECIFICA (VER PARTE B)

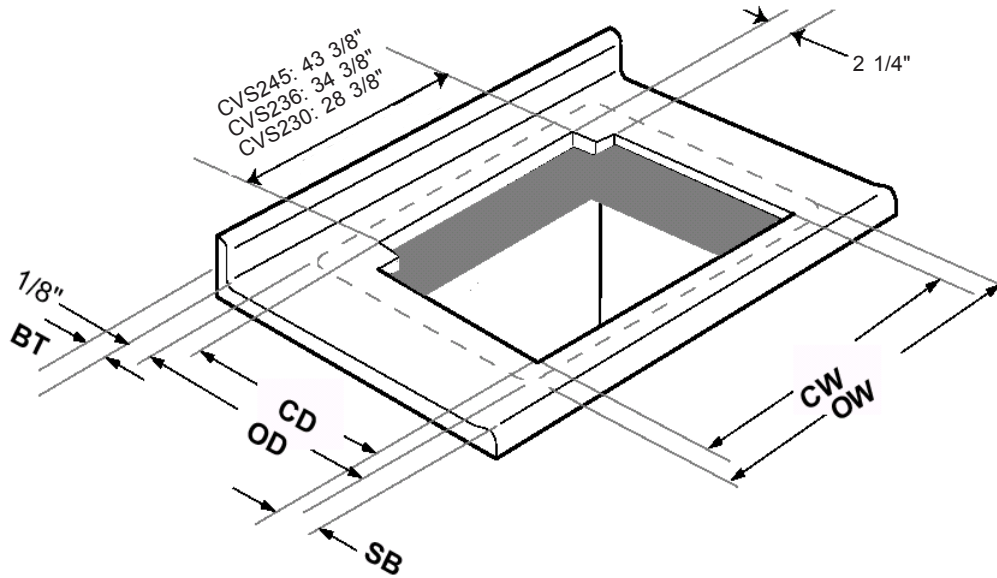


Figura 8

B. INSTALACIÓN CON PARRILLA DE OTRA MARCA (Figura 8)

Debe tener las siguientes medidas de la cubierta a la mano antes de proceder. Se deben verificar todas las dimensiones de la cubierta por medio de mediciones antes de hacer los recortes.:

CCW = Ancho del recorte de la parrilla
 CCD = Profundidad del recorte de la parrilla
 COW = Ancho total de la cubierta
 COD = Profundidad total de la cubierta

con las dimensiones anteriores confirmadas, determinar el tamaño del recorte del siguiente modo:

1. Encontrar el ancho del recorte, (CW):

Si CCW es **más pequeña** que el ancho del recorte UCV entonces:

Instalación	CW
CVS230	28 ^{3/8}
CVS236	34 ^{3/8}
CVS245	43 ^{3/8}

Si CCW es más grande que el ancho del recorte UCV entonces:

CW = CCW

Ver la Figura 8 para anchos del recorte UCV y las definiciones de las dimensiones.

2. Calcular la profundidad del recorte, CD:

Determinar el saliente de la parrilla (CO)

CO = (COD-CCD)/2 (Se supone que los salientes delantero y trasero de la parrilla son iguales) Calcular la profundidad del recorte, (CD):

$$CD = COD - CO + 1 - 7/8"$$

3. Determinar la distancia del retallo (SB) del frente de la cubierta al frente del recorte. SB es especificada en las instrucciones de instalación incluidas con la parrilla.

4. El espesor de la salpicadura no debe exceder BT como es calculado abajo:

$$BT = 24 \frac{7}{8}" - OD - SB + CO$$

(Proporcina un espacio libre de 1/8" entre la ventilación y la salpicadura). Un valor negativo para BT significa que la cubierta está demasiado pequeña para la instalación.

5. Verificar que la cubierta plana disponible tenga un ancho mayor que OW y una profundidad mayor que OD.

OW depende de la instalación:

CVS30: OW igual al mayor de COW o 30".

CVS36: OW igual al mayor de COW o 36".

CVS45: OW igual al mayor de COW o 45".

OD es determinada por: OD=COD+2 1/8".

6. Cortar la cubierta utilizando dimensiones: CD, CW y SB como se definen en la Figura 8.

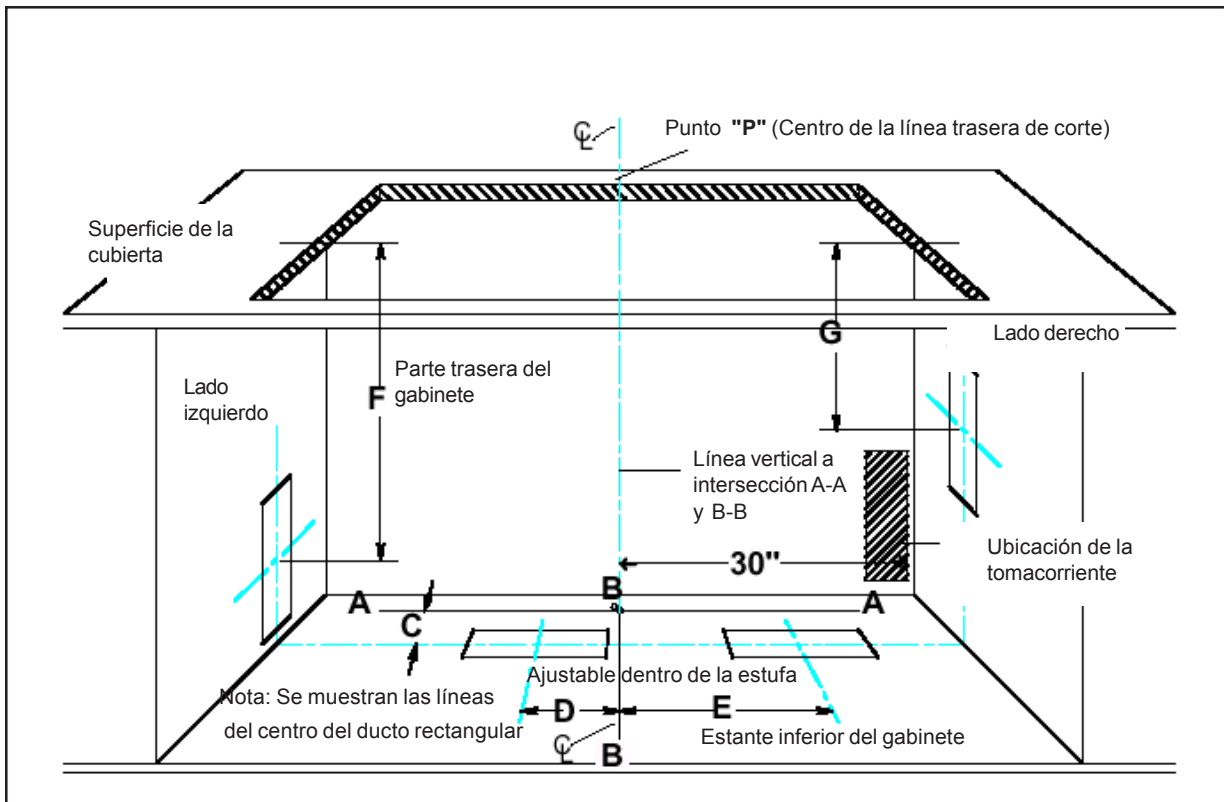


Figura 9: Cabinet Cutout for Ductwork

Dimensiones del recorte en el gabinete para el ventilador:

C	D	E	F	G
6 3/8"	14 1/2"	1 7/8"	15 1/2"	9 3/4"

Tabla 4: Dimensiones del recorte en el gabinete

PASO 3: Preparar los recortes para los ductos en el gabinete

- A. Consultar la Figura 9. Establecer una línea vertical desde el punto "P" en el centro trasero del recorte de la cubierta. Marcar este punto en el fondo del gabinete abajo. Construir dos líneas de referencia a través de este punto: una debe quedar paralela al frente del gabinete y directamente abajo del recorte trasero de la cubierta (Línea A-A), y la otra (Línea B-B) debe quedar en ángulos rectos a A-A.
- B. Utilizando estas líneas de referencia como base para las mediciones indicadas en la tabla 4, diseñar los recortes necesarios del gabinete para implementar la ruta planeada del ducto. Donde se nota un rango de mediciones, escoger una medición que permite el mejor espacio libre de los pernos de pared, viguetas de pisos, instalaciones ocultas de agua, gas, luz, u otras obstrucciones.
- C. Colocar la toma de aire y la parrilla temporalmente en su lugar y fijar el ventilador interno (o la conexión para la transición del ducto si se instala un ventilador remoto). Consultar los pasos 6 y 7. Verificar que los recortes del ducto tal como están marcados coincidan con la instalación del equipo. Ajustar el recorte del ducto según sea necesario para coincidir con la instalación del equipo.
- D. Quitar temporalmente el equipo colocado y hacer los recortes en el gabinete para acomodar la instalación del ducto.
- E. Realizar todas las otras modificaciones necesarias en el gabinete para proporcionar espacios libres suficientes para los cajones o estantes removibles.

Paso 4: Instalar el ducto (ventilador remoto, si se usa)

- A. Instalar el ducto y el ventilador remoto (si se usa) de acuerdo con el plan de enrutamiento del ducto desarrollado en el paso 1.
- B. Asegurar que la instalación cumple con todos los lineamientos en la Tabla 2. Verificar también, que la abertura donde atraviesa el ducto la pared exterior o el techo haya sido sellada correctamente para evitar fugas.
- C. Si utiliza el ventilador integral, modelo VTN600CV2C, siga con el paso 5.
- D. Si utiliza el ventilador remoto, modelo VTR600R o VTR1000Q, consulte las instrucciones de instalación para ese modelo.

Paso 5: Instalar el servicio eléctrico

Primero debe revisar sus códigos locales de construcción para el método correcto de instalación. En los E.U.A., cuando no hay códigos locales aplicables, se debe instalar esta unidad de acuerdo con el Código Eléctrico Nacional ANSI/NFPA No. 70, edición actual. (En Canadá, la instalación debe cumplir con los códigos de instalación CAN 1-B149.1 y .2 - para aparatos con quemadores de gas y/o los códigos locales).

El aparato debe estar conectado a tierra. En el caso de un cortocircuito eléctrico, la puesta a tierra reduce el riesgo de una descarga eléctrica proporcionando un cable de escape para la corriente eléctrica. Este aparato viene equipado con un cable de alimentación que tiene un enchufe aterrizado con un cable de tierra. Se debe enchufar en una tomacorriente correctamente instalada y puesta a tierra.

ADVERTENCIA – Una conexión incorrecta a tierra puede crear el riesgo de sufrir una descarga eléctrica.

Consulte a un eléctrico calificado si tiene algún problema para entender completamente las instrucciones de la puesta a tierra o si hay dudas con respecto a si el aparato está conectado a tierra correctamente.

No use un cable de extensión. Si el cable de alimentación está muy corto, contrate a un eléctrico calificado para que instale una tomacorriente cerca del aparato.

La tomacorriente debe quedar debajo de la cubierta, de modo que el cable de alimentación con longitud de 30 pulgadas (76 cm) de la ventilación la pueda alcanzar. Ver la Figura 9. Se debe enrutar el cable por debajo del aparato y lejos de calor generado por la parrilla. No se debe obstruir el acceso por el ventilador, el gabinete, el ducto o las líneas de alimentación eléctrica/gas para la parrilla. Toda la corriente para el sistema de ventilación (incluyendo el ventilador remoto, si se usa) es suministrada vía el cable a la unidad de toma. Generalmente se puede extender la tomacorriente desde otra tomacorriente en la cocina o puede tener su propio circuito del panel principal de servicio.

No debe enchufar el cable del ventilador a la tomacorriente hasta el paso 8.

Paso 6: Montar en ventilador y la parrilla

- A. Saque los filtros de grasa y cualquier material de empaque desde el interior de la toma de aire.
- B. Ponga la toma de aire a la parte trasera de la abertura de la cubierta. Bájela cuidadosamente a su posición de modo que las bridas en los lados traseros y los bordes completamente soporten la unidad que cuelga de la cubierta.
- C. Sostenga la unidad contra la parte trasera de la abertura en la superficie y deslice las abrazaderas de las patas hacia abajo hasta tener contacto con el fondo del gabinete. Revise si está nivelada y haga ajustes si es necesario, luego fije las abrazaderas de las patas al gabinete con los tornillos que se incluyen.
- D. Colocar la parrilla en la abertura de la cubierta con el borde trasero de la parrilla sobrelapando el borde delantero de la ventilación. **Asegurar que el borde trasero de la cubierta no quede empalmado contra el frente del tubo de respiración.** Seguir las instrucciones de instalación del fabricante para instalar tiras de juntas, cinta térmica de protección (si se requiere), fijando la parrilla a la cubierta y realizando las conexiones eléctricas y/o de gas a la parrilla.

Paso 7: Montar el ventilador integral o la transición del ducto para el ventilador remoto

Ventilador integral VTN600 (Ver Figuras 10 y 12 para más detalles):

- Fijar el ventilador en frente de la salida redonda de escape con 4-6 tornillos autorroscantes #8 (dependiendo de la configuración)
- Alimentar el cable **del ventilador** a través del prensacables.
- Fijar el prensacables con tornillos.
- Fijar el prensacables al tiro descendente cerca de la caja de conexiones.
- Conectar el cable al tiro descendente en el conector de 6 clavijas.
- Conectar el ventilador al ducto.

Ventilador remoto VTR600R o VTR1000Q (Ver Figuras 11 y 12 para más detalles):

- Quitar la tapa de la caja de conexiones y conectar el conducto con 5 cables del ventilador remoto. Conectar los cables según el diagrama de conexiones, Fig. 10. Reemplazar la tapa.
- Fijar la transición del ducto en los orificios de montaje con tornillos autorroscantes.
- Poner el cable flexible del ventilador remoto a través del prensacables.
- Fijar el prensacables al tiro descendente cerca de la caja de conexiones.
- Conectar el cable flexible al tiro descendente en el conector de 6 clavijas.
- Enrutar los hilos del cable flexible a la caja de conexiones.
- Conectar el conducto con cinco cables del ventilador remoto dentro de la caja de conexiones. Utilizar un conector para conducto para fijarlo.

Nota: Se pueden instalar el ventilador y la tapa de transición del ducto con la salida del ducto a la izquierda, abajo o la derecha. Instalar el ventilador y la transición del ducto de tal modo que se puedan quitar los paneles de acceso para dar servicio.

Figura 10 - Ventilador interno

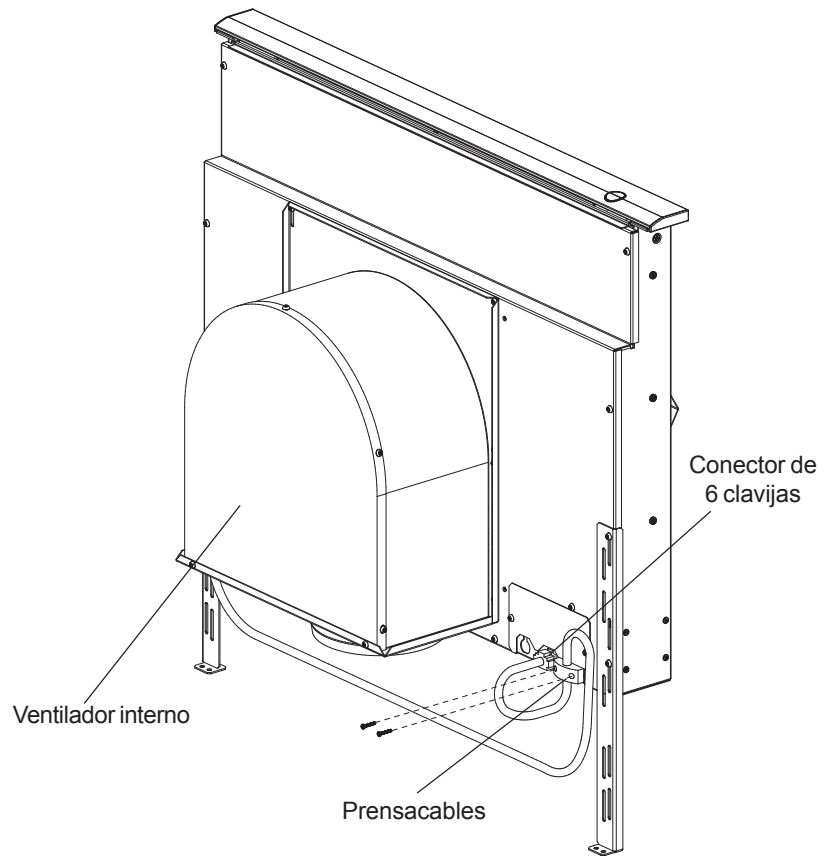


Figura 11 - Ventilador remoto

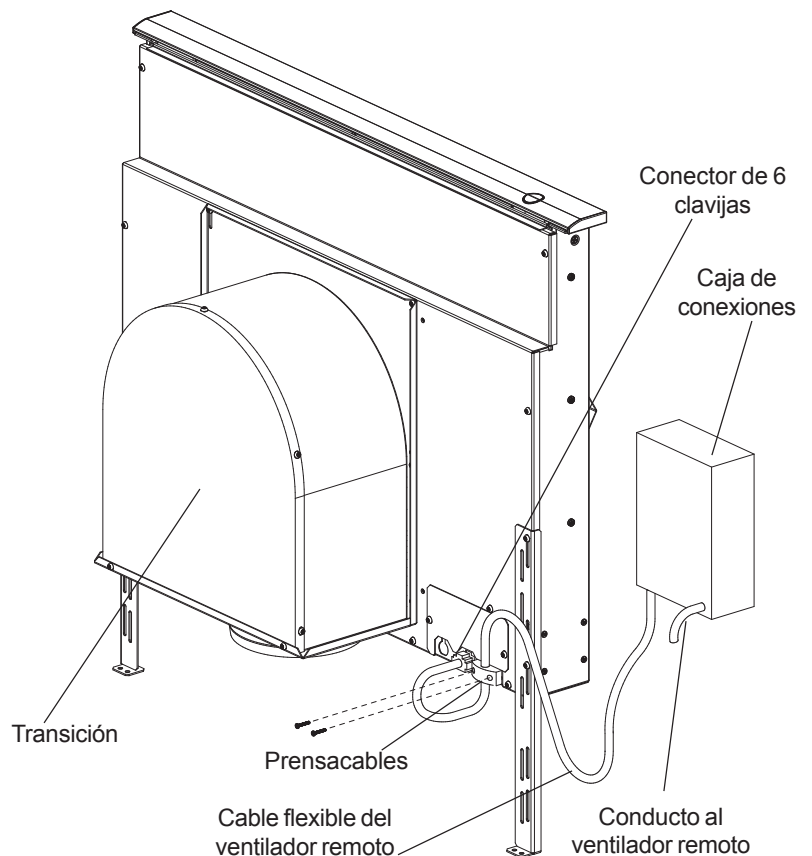
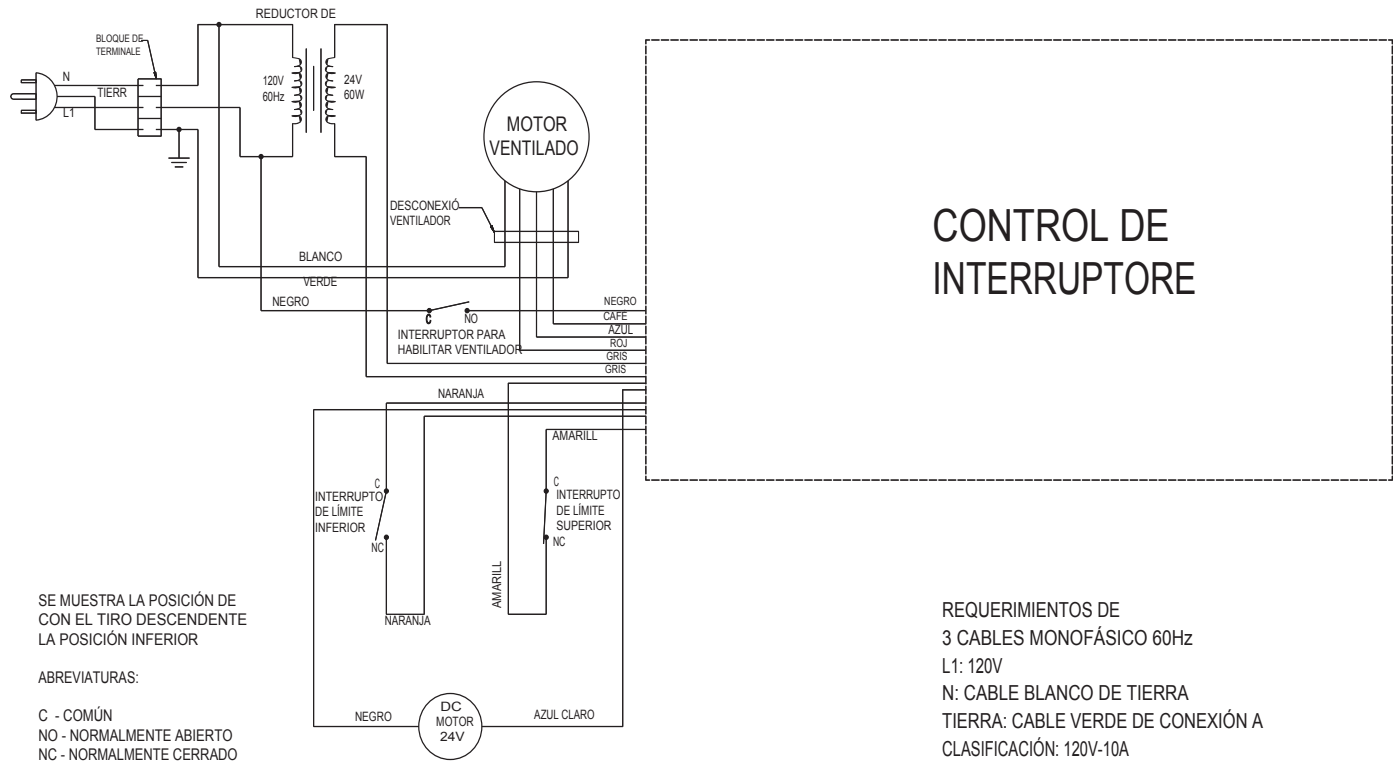


Figura 12 - Diagrama de Conexiones

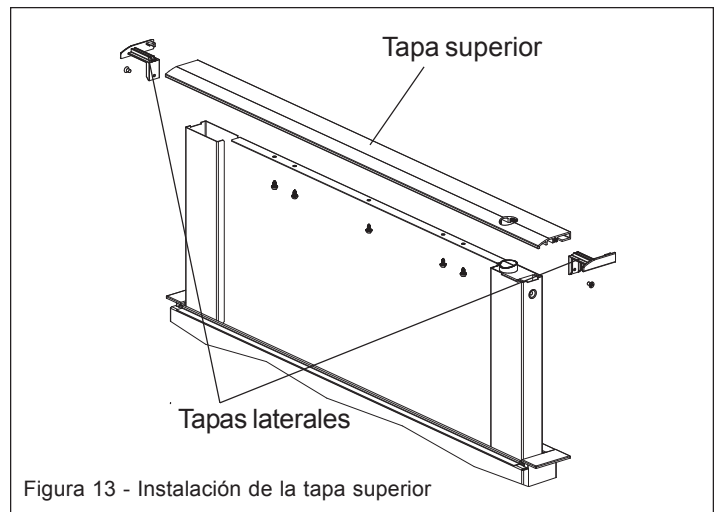
ADVERTENCIA: SE DEBE DESCONECTAR LA CORRIENTE ELÉCTRICA ANTES DE DAR SERVICIO A



Paso 8: Instalar la tapa superior (de coordinación) (si aplica)

El tiro descendente viene de fábrica con una tapa superior de acero inoxidable. Hay tapas superiores disponibles en color blanco y negro como accesorio.

- Quitar los filtros y ponerlos a un lado. Quitar 4 tornillos de abajo de la tapa superior y dos tornillos (uno de cada lado) de las tapas laterales. Desechar la tapa superior y las tapas laterales. Guardar los tornillos.
- Instalar las nuevas tapas laterales y la tapa superior como se muestra en la Figura 13 (primero debe insertar las tapas laterales). Reemplazar los tornillos.



Paso 9: Verificar la instalación, operación y alineación de la parrilla

Antes de realizar este procedimiento, debe verificar que se quitaron todos los materiales de empaque del interior del tubo de respiración y que se hayan instalado correctamente los filtros de grasa y el panel delantero. Consultar el manual de uso y cuidado para las instrucciones con respecto a la instalación de los filtros y del panel delantero.

Enchufar el cable de alimentación del ventilador a una tomacorriente apropiada y asegurar que el circuito esté activado.

- A. Levantar el tubo de respiración a su máxima posición extendida presionando una vez el botón UP/DOWN (Arriba/Abajo) (Figura 12). No debe mantener pulsado el botón. El motor de elevación se detendrá cuando el tubo de respiración alcanza su máxima altura. (Nota: el ventilador no va a funcionar a menos que se eleve completamente el tubo de respiración).
- B. Quitar la cinta de protección de la tapa superior.
- C. Prender el ventilador seleccionando cada una de las 3 velocidades. Dejar que el ventilador funcione varios minutos a cada velocidad para evaluar su operación.
- D. Con el ventilador funcionando, bajar el tubo de respiración a su máxima posición retraída presionando una vez el botón UP/DOWN (Arriba/Abajo). El ventilador se apagará de inmediato.
- E. Con el ventilador en la posición HIGH (Alta), cierre las ventanas y las puertas al área para asegurar que el ventilador no cause ninguna contracorriente en alguna abertura de ventilación para otro aparato.
- F. Volver a elevar y bajar el tubo de respiración y revisar que la tapa superior en el tubo no tenga contacto con el borde trasero de la parrilla cuando se está bajando. Cuando hay interferencia, debe ajustar la posición de la parrilla moviéndola contra el borde delantero del recorte de la cubierta, luego volver a fijar la parrilla a la cubierta. El hecho de no eliminar la interferencia puede causar daños permanentes al sistema de ventilación. Además, debe asegurar que se hayan fijado correctamente las patas de soporte del ventilador a la base del gabinete por medio de los tornillos incluidos.

Cuando el sistema de ventilación no funciona satisfactoriamente durante cualquiera de los procedimientos anteriores, revise todos los pasos en estas instrucciones de instalación para asegurar que no se haya omitido o pasado por alto algo. Además, puede consultar el manual de uso y cuidado para mayor información o llamar al centro de soporte al cliente de Thermador marcando 1-800-735-4328.

Thermador[®] | *An American Icon*[™]

5551 McFadden Avenue, Huntington Beach CA, 92649 • 800-735-4328 • www.thermador.com
9000036121 (ECO# 5V0311) • 10013 RevA • 02/05 © 2005 BSH Home Appliances Corporation • Litho in U.S.A.