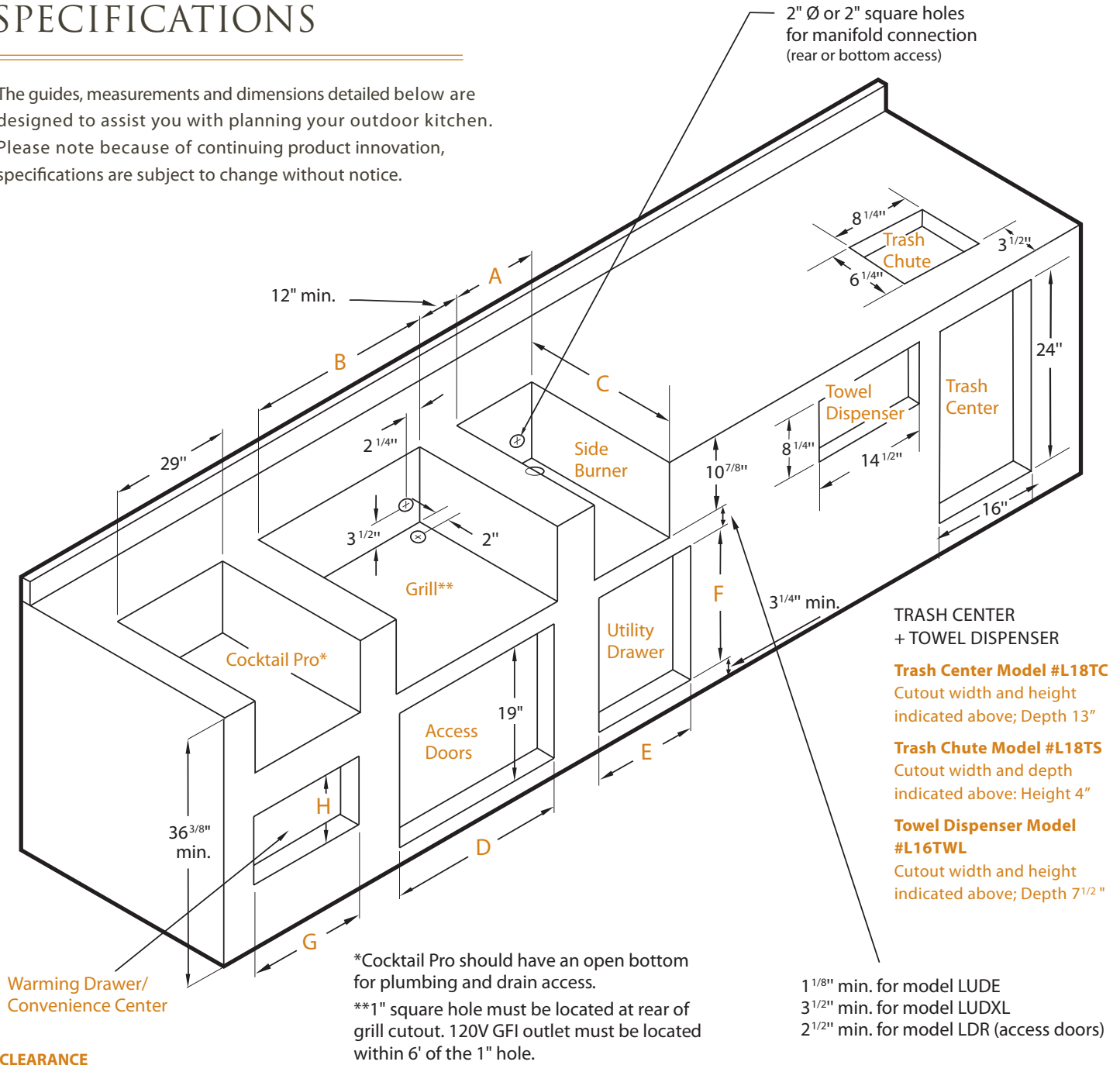


# SPECIFICATIONS

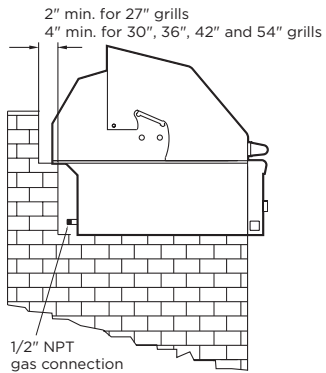
The guides, measurements and dimensions detailed below are designed to assist you with planning your outdoor kitchen. Please note because of continuing product innovation, specifications are subject to change without notice.



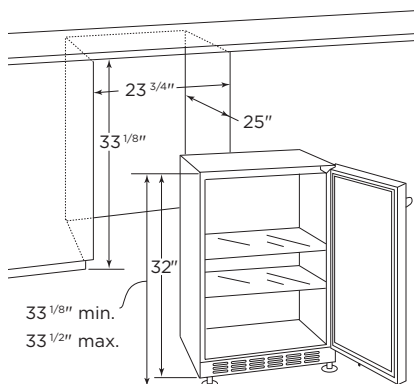
\*Cocktail Pro should have an open bottom for plumbing and drain access.  
 \*\*1" square hole must be located at rear of grill cutout. 120V GFI outlet must be located within 6' of the 1" hole.

1 1/8" min. for model LUDE  
 3 1/2" min. for model LUDXL  
 2 1/2" min. for model LDR (access doors)

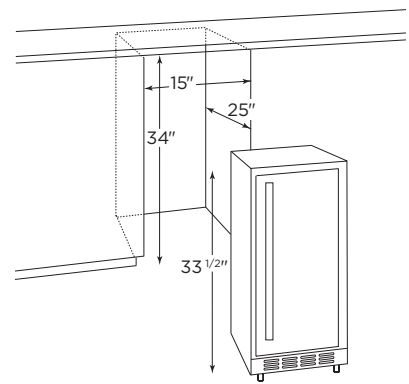
## CLEARANCE



## OUTDOOR REFRIGERATOR



## ICE MACHINE



# PROFESSIONAL GRILLS + PROSEAR™ POD

MODEL	A	B	C	D	E	F	G	H
L27	-	26	22	-	-	-	-	-
L30	-	29	24 <sup>1/2</sup>	-	-	-	-	-
L36	-	35	22	-	-	-	-	-
L42	-	41	24 <sup>1/2</sup>	-	-	-	-	-
L54	-	53	24 <sup>1/2</sup>	-	-	-	-	-
L30PSP	-	29	24 <sup>1/2</sup>	-	-	-	-	-

## COMPLEMENTARY PRODUCTS

MODEL	A	B	C	D	E	F	G	H
-------	---	---	---	---	---	---	---	---

### ACCESS DOORS

LDR21-1	-	-	-	19 <sup>1/4</sup>	-	-	-	-
LDR27-1	-	-	-	25 <sup>1/4</sup>	-	-	-	-
LDR30-1	-	-	-	28 <sup>1/4</sup>	-	-	-	-
LDR36-2	-	-	-	34 <sup>1/4</sup>	-	-	-	-
LDR42-1	-	-	-	40 <sup>1/4</sup>	-	-	-	-

### SIDE BURNERS

LSB1	12 <sup>1/8</sup>	-	22 <sup>1/2</sup>	-	-	-	-	-
LSB2	12 <sup>1/8</sup>	-	22 <sup>1/2</sup>	-	-	-	-	-
LSB2PC	24 <sup>1/4</sup>	-	22 <sup>1/2</sup>	-	-	-	-	-
LPSGE	12 <sup>1/8</sup>	-	22 <sup>1/2</sup>	-	-	-	-	-

### UTILITY DRAWERS

LUDE	-	-	24	-	12 <sup>1/8</sup>	19 <sup>1/4</sup>	-	-
LUDXL	-	-	24 <sup>1/4</sup>	-	17 <sup>1/4</sup>	18 <sup>9/16</sup>	-	-

### WARMING DRAWERS

L30WD	-	-	20 <sup>1/2</sup>	-	-	-	28 <sup>1/2</sup>	10
L42CC	-	-	24 <sup>1/2</sup>	-	-	-	40 <sup>1/4</sup>	19 <sup>3/8</sup>

### COCKTAIL PRO

CS30	-	-	22 <sup>3/4</sup>	-	-	-	-	-
------	---	---	-------------------	---	---	---	---	---

NOTE: INSULATED JACKET REQUIRED FOR ALL GRILLS  
INSTALLED INTO A CUMBUSTABLE ENCLOSURE. SEE DETAIL.

## WITH INSULATED JACKET INSTALLED

MODEL	A	B	C	D	E	F
LIJ27	33	5	24 <sup>1/2</sup>	4 <sup>1/2</sup>	3	11 <sup>5/8</sup>
LIJ30	36	5	26 <sup>1/2</sup>	4 <sup>1/2</sup>	3	11 <sup>5/8</sup>
LIJ36	42	5	24 <sup>1/2</sup>	4 <sup>1/2</sup>	3	11 <sup>5/8</sup>
LIJ42	48	5	26 <sup>1/2</sup>	4 <sup>1/2</sup>	3	11 <sup>5/8</sup>
LIJ54	60	5	26 <sup>1/2</sup>	4 <sup>1/2</sup>	3	11 <sup>5/8</sup>

