

This Data Sheet Includes Information On

**Marvel**

• Product Model Number (s): •

Refrigerators:  
6ADA-WW, 6ADA-BB, 6ADA-BS, 6ADA-WW-LL,  
6ADA-WW-LR, 6ADA-BB-LL and 6ADA-BB-LR

• Dimensions (Actual Size) •

Overall depth NOT including handle: 24 3/8"  
Depth not including door: 22"  
Height at full leg adjustment: 32 1/2"  
Height at 0" leg adjustment: 31 3/4"  
Height without legs installed: 31 1/2"  
Width: 23 7/8"  
Toe Kick height: 3"  
Door swing at 90°: 25 1/2"  
Recommended opening width: 24"  
Recommended opening depth: 24"  
Recommended opening height: 32"

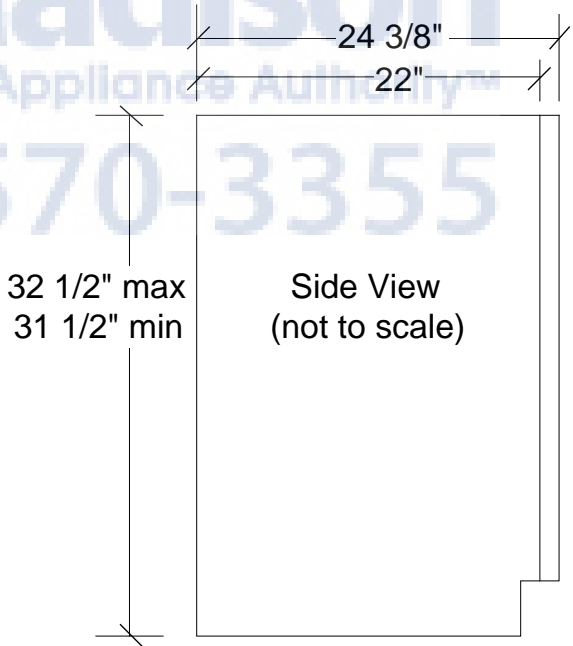
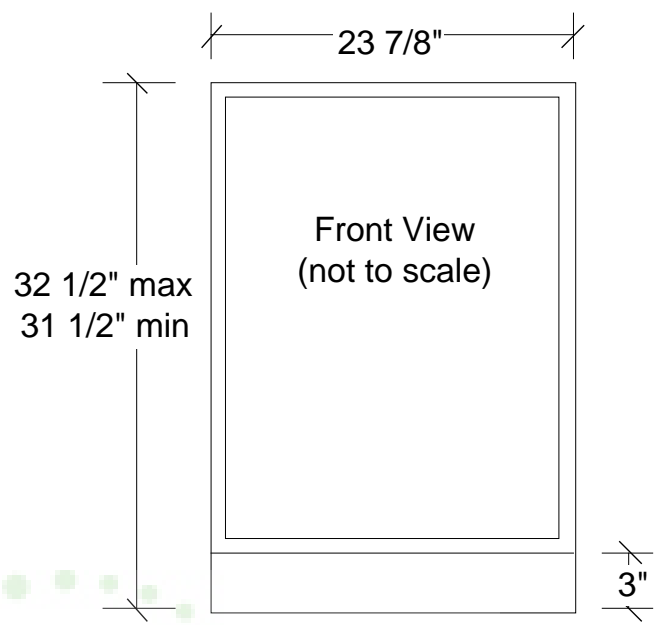
• Additional Information •

- Electrical requirements: 120 volts, 3 amps running max. 15 amp circuit required.
  - Locate a 3-prong grounded receptacle in one of three locations: 1) On the wall in the adjacent cabinet opening. 2) Flush on the back wall of the refrigerator opening (add 1" to the overall depth of the unit to accommodate the thickness of the plug). 3) Recessed 1" into the back wall of the refrigerator opening.
  - Accepts custom 1/4" door panel (see page 2 for dimensions).
  - Door is reversible in field.
  - Shipping weight: 115 pounds.
  - U.L. Listed.
  - 6ADA-WW : White cabinet, white door frame, white clip-on handle (add 7/8" to depth).
  - 6ADA-BB : Black cabinet, black door frame, black clip-on handle (add 7/8" to depth).
  - 6ADA-BS : Black cabinet, black door frame, stainless door panel, professional style stainless handle (add 2 1/8" to depth).
  - 6ADA-WW-LL : White cabinet, white door frame, lock on left, white clip-on handle (add 7/8" to depth).
  - 6ADA-BB-LL : Black cabinet, black door frame, lock on left, black clip-on handle (add 7/8" to depth).
  - 6ADA-WW-LR : White cabinet, white door frame, lock on right, white clip-on handle (add 7/8" to depth).
  - 6ADA-BB-LR : Black cabinet, black door frame, lock on right, black clip-on handle (add 7/8" to depth).
- Accessories:  
• Casters: P/N 42244041

[See page 2 additional information](#)

Subject to change without notice. This system is designed to be updated daily if necessary. Dimension Express is not responsible for use of superseded, voided, or outdated data sheets. Because of the difficulty or impracticability of determining actual damages, liability of Dimension Express shall not exceed \$50.00.

Copyright © Dimension Express, 2007.

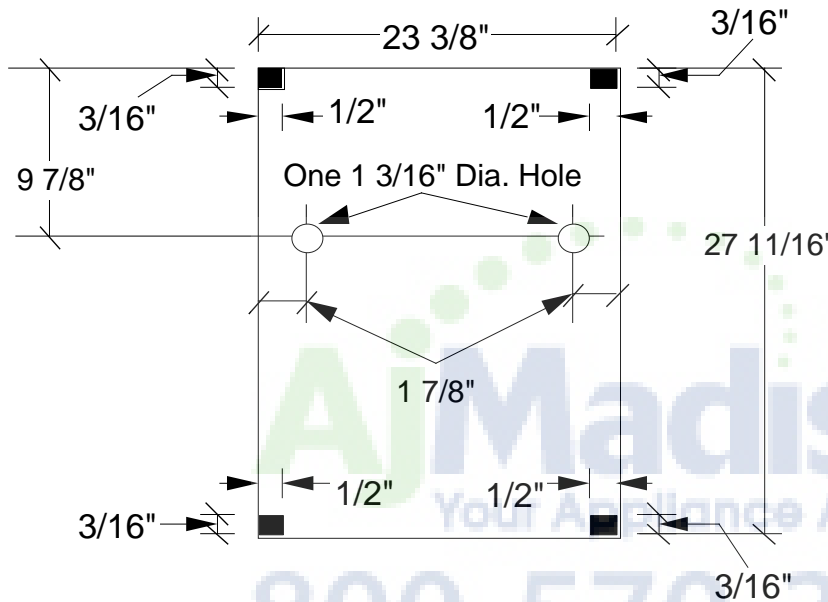


• NEVER reuse Data Sheets. Data Sheets are subject to change without notice. Dimension Express is a FREE service bureau and is updated daily, it makes far more sense to spend the time necessary to request new Data Sheets for each project, as opposed to the problems, time, costs, and risks associated with reusing old Data Sheets.

- Call Dimension Express if you have any questions at (800) 940-2059 •
- Always refer to a current Code at a Glance or manufacturer directory •
- Data Sheet codes change on the first of each quarter at 12:01am •

Additional Information:

## Custom Framed Door Panel Dimensions (not to scale)



**Custom Panel Size  
 (not to scale)**

Max. thickness: 1/4"  
 Max. weight: 20 lbs

**Remove all  
 four corners**

For panels thicker than 1/4", reveal is 5/8" on all sides if owner-supplied handle is used; 2" in the area of Marvel's clip on handle if it is used.

It will be necessary to drill a hole in the door panel, corresponding to the lock location, prior to assembly. Drawing shows locations for access hole for both -LR (lock, right hinge) and -LL (lock, left hinge) options. Determine which is required and install only ONE 1 3/16" hole in panel.

Subject to change without notice. This system is designed to be updated daily if necessary. Dimension Express is not responsible for use of superseded, voided, or outdated data sheets. Because of the difficulty or impracticability of determining actual damages, liability of Dimension Express shall not exceed \$50.00. Copyright © Dimension Express, 2007.

326

• NEVER reuse Data Sheets. Data Sheets are subject to change without notice. Dimension Express is a FREE service bureau and is updated daily, it makes far more sense to spend the time necessary to request new Data Sheets for each project, as opposed to the problems, time, costs, and risks associated with reusing old Data Sheets.

• Call Dimension Express if you have any questions at (800) 940-2059 •  
 • Always refer to a current Code at a Glance or manufacturer directory •  
 • Data Sheet codes change on the first of each quarter at 12:01am •

BN • A318B326 • 070612 • 104416 • 94712