

Frigidaire

Factory Parts Catalog

Product No.	FRG5714KW0
Market	North America
Color	white
Volts	120
Wiring Diagram	137057500
Owner's Guide	137196900
Installation Instructions	137153700

 **Electrolux**

Electrolux Major Appliances
North & Latin America
P.O. BOX 212378
AUGUSTA, GA 30917

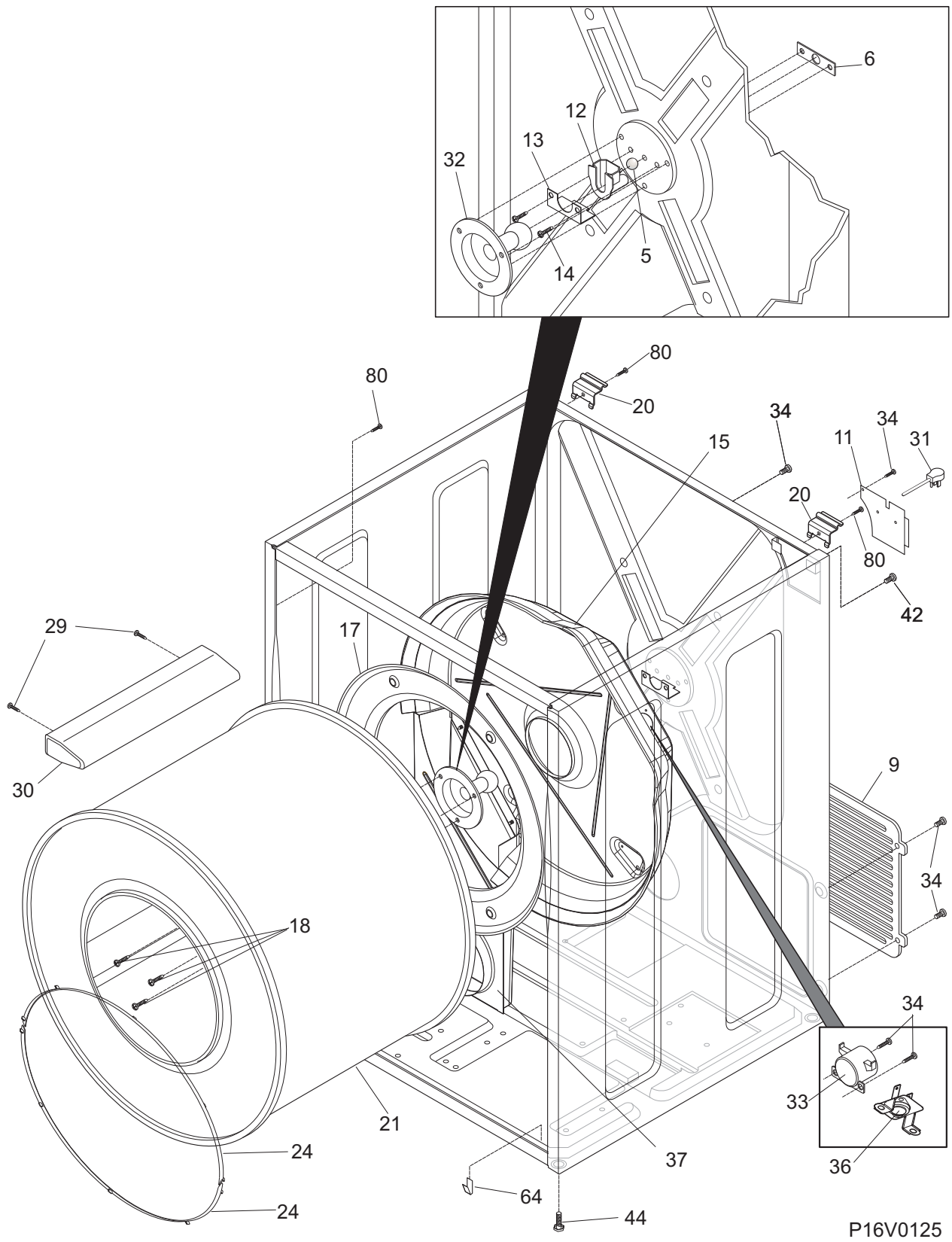
Publication No.
5995539607
09/05/06
(EN/SERVICE/WTC)
361

GAS DRYER

Model No.
FRG5714K

Copyright © 2009 Electrolux Home Products, Inc.
All rights reserved.

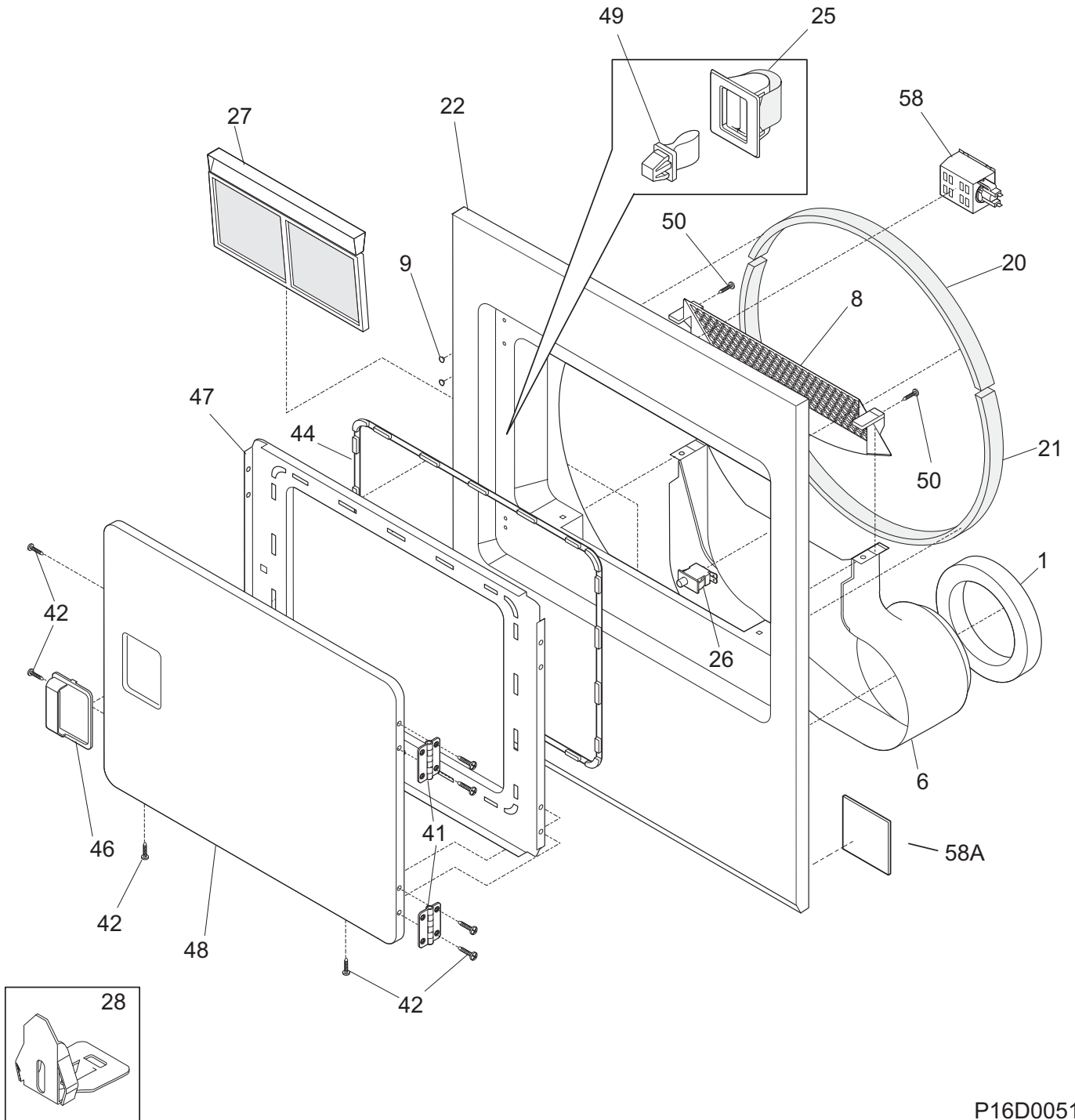
CABINET/DRUM



CABINET/DRUM

POS. NO	PART NO.	DESCRIPTION
5	5303281019	Ball, grounding
6	5303281020	Clip, ball, steel, flat nut
9	131793200	Panel, service access, rear
11	131363200	Cover, terminal block
12	131825900	Bearing, drum support
13	131724300	Bracket, bearing support
14	131205400	Screw, bracket mtg., 10-16B x 1.375, cr/sq drive
15	137137200	Housing, gas heater assy, w/seal
17	3204254	Baffle, heater shield
18	131477000	Screw, 10-16AB x 0.375
20	131469100	Bracket, hinge, rear, top panel mtg.
21	134122552	Drum, dryer, stainless steel, service kit
24	131963900	Glide, drum
29	131382300	Screw, quadrex head, 10-14 x 1.00, vane mtg., special
30	5304405283	Vane, straight, gray
31 #	134501200	Power Cord, electric svce
32	137088620	Shaft, drum support, ballhitch
32*	5303307893	Lubricant, high temp
33 #	5308015399	Thermostat, safety
33*	137061900	Jumper-wire
34	131243700	Screw, pan head, 8-18AB x 0.375
36 #	137060800	THERMAL LIMITER (GAS)
37	131952100	Duct, heat
42	134154100	Screw, hex washer head, 10-32 x 0.375, ground
44	134158000	Leveling Leg, screw
64	131704600	Clip, front, cabinet bottom
80	134547800	Screw, 10-16AB x 0.375
* #	5303281153	Rear Bearing Kit, includes 5, 6, 12, 13, 14, 18, 32

FRONT PANEL/LINT FILTER

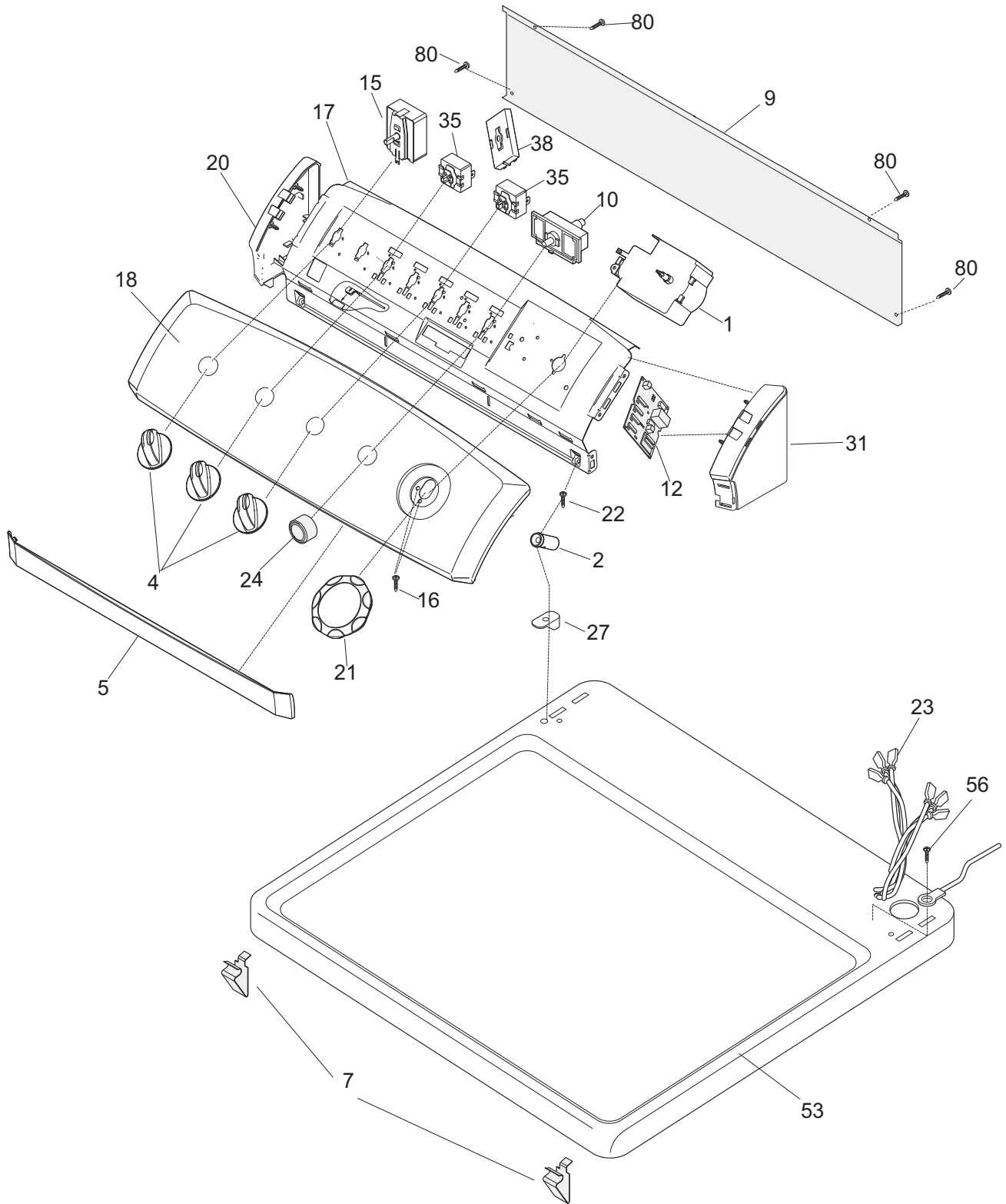


P16D0051

FRONT PANEL/LINT FILTER

POS. NO	PART NO.	DESCRIPTION
1	134417000	Seal, air duct
6	131621900	Duct, air
8 #	131845800	Cover, lint housing, w/moist sensor
8* #	131846600	Wiring Harness, sensor & light
9	131633200	Plug, white
20	134440200	Seal, felt, upper
20*	5308027429	• Adhesive, high temp
21	134134700	Seal, felt, lower
22	131845912	Panel, front, white, w/lamp hole
22*	131474700	Insulation
25	131658800	Door Catch, upper
26 #	134813601	Switch, door, rectangle, white, with drum light
27	131450300	Trap, lint blade assy
28	134440000	Clip, guide
41	134222900	Hinge, dryer door
42	134156200	Screw, flat head, 8-18AB x 0.44, quad drive
44	131129900	Gasket, door seal
46	131644700	Handle, door, white
47	131844104	Panel, inner door, white
48	131789303	Panel, outer door, white
49	5303211430	Door Strike
50	131303300	Screw, pan head, 10-16AB x 0.500, locking
58 #	131843500	Lamp Assy, drum light, w/mtg bracket
58*#	131862800	• Lamp
58A	131744202	Damper, vibration

CONTROLS/TOP PANEL

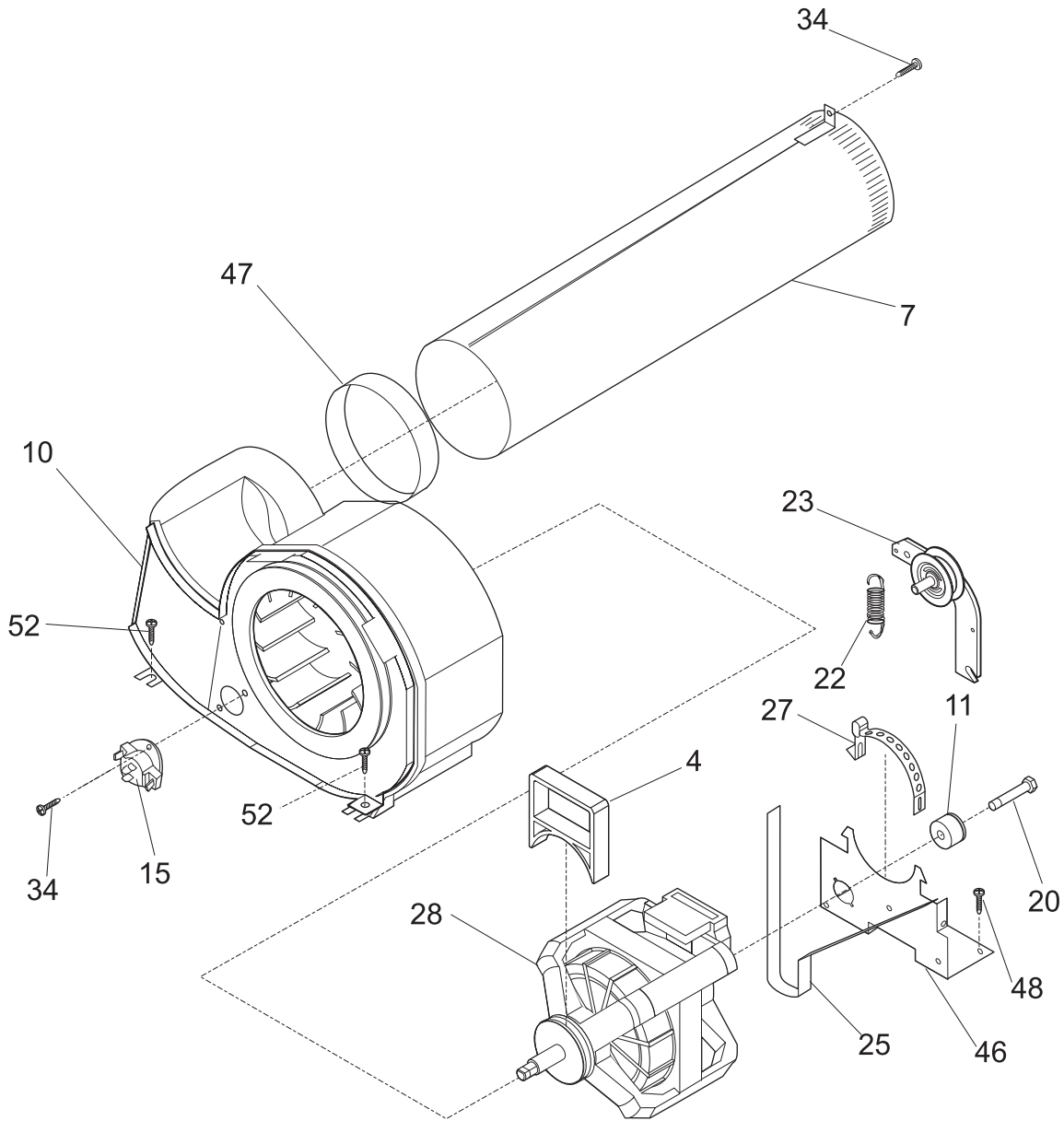


P16C0242

CONTROLS/TOP PANEL

POS. NO	PART NO.	DESCRIPTION
1 #	131930600	Timer
2	134096100	Spacer, console mtg
4	134844410	Knob, rotary, white
5	134019900	Closure, console trim, white, front
7	3205821	Clip, top-to-front
9	131992900	Panel, backsheet, console
10 #	131469000	Switch, push/start
12 #	134216300	Control Board, moisture sensor
15 #	134398600	Switch, temperature, 4 posn rotary
16	134034300	Screw, pan hd phillips, 8-18B x 0.250
17	131993040	Bracket, control mtg.
18	137152900	Panel, control console, white
20	134019610	End Cap, white, LH
21	134886700	Knob, timer, white
22	131266330	Screw, 8-18 x 1.250
23 #	134134000	Wiring Harness
23*#	134101400	Terminal Block, main
24	131111501	Button, start switch, white, push type
27	131197000	Clip, console mtg
31	134019600	End Cap, white, RH
35 #	134904500	Switch, temp selector, 2 position
38 #	131959200	Beeper, continuous, low tone
53	134086802	Panel, dryer top, white, console mtg
56	131243800	Screw, pan hd locking, 8-32CA x 0.375, cup point
80	134547800	Screw, 10-16AB x 0.375

MOTOR

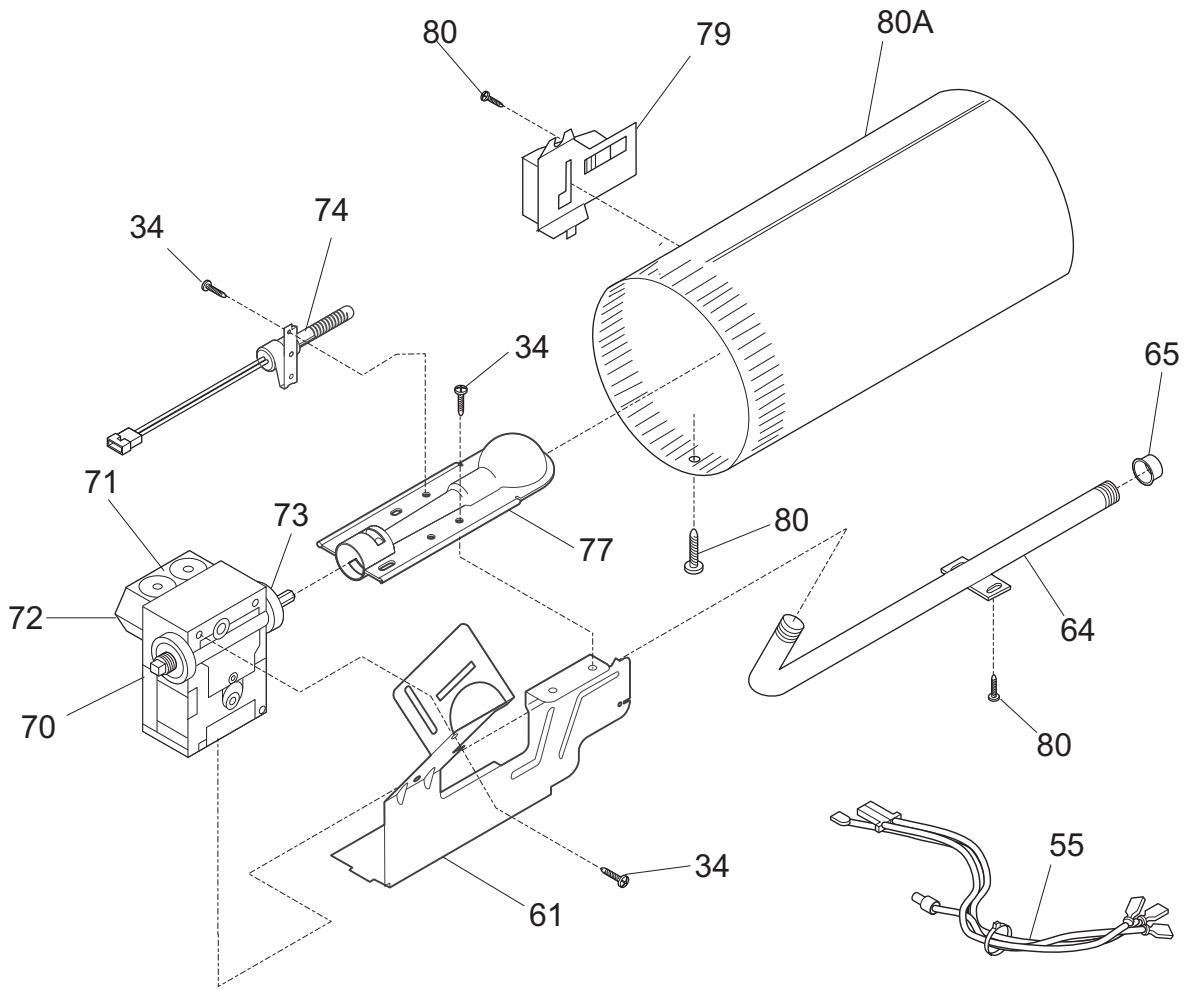


P16M0024

MOTOR

POS. NO	PART NO.	DESCRIPTION
4	131435200	Lock, blower housing
7	131451600	Tube, exhaust, rear, w/mtg bracket
7*	131456800	Tube, exhaust, side/bottom, Optional Kit
10 #	131775600	Blower Assy, housing, w/cover & wheel
11	131749800	Spacer, idler
15 #	134048900	Thermostat, control
20	131017900	Screw, hex head, 1/4-20T x 1.25, spacer mtg., thread cutting
22	131601000	Spring, idler arm
23 #	131863007	Idler Arm Assy, w/pulley
25 #	134503600	Belt, dryer
27	134242400	Clamp, motor mtg.
28 #	131560100	Motor & Pulley Assy
34	131243700	Screw, pan head, 8-18AB x 0.375
46	134203400	Bracket, motor mtg
47	131633300	Seal, exhaust tube
48	134547800	Screw, 10-16AB x 0.375
52	131202300	Screw, 10-16AB x 0.625

BURNER



P16B0017

BURNER

POS. NO	PART NO.	DESCRIPTION
34	131243700	Screw, pan head, 8-18AB x 0.375
55 #	134389600	Wiring Harness, gas valve
61	134122000	Bracket, burner mtg
64	137011800	Pipe, gas, right angle
65	08015112	Cap, pipe
70 #	5303207409	Valve, gas
71 #	5303307291	Coil, secondary
72 #	5303307292	Coil, booster
73 #	5303207410	Orifice, natural gas, size 44
74 #	134192000	Igniter Assy
77 #	134197700	Burner, gas
79 #	5303281135	Sensor, radiant
80	134547800	Screw, 10-16AB x 0.375
80A#	134200801	Tube, burner, riveted

WIRING DIAGRAM

WIRING CODES	CODES DE CÂBLAGE	CODIGOS DE ALÁMBRADOS
⊗ QUICK DISCONNECT TERMINAL	BORNE À DÉBRANCHEMENT RAPIDE	TERMINAL DE DESCONEXION RAPIDA
⊕ CONNECTION	CONNEXION	CONEXION
⊖ NO CONNECTION	AUCUNE CONNEXION	SIN CONEXION
⚡ MOTOR SWITCH	INTERRUPTEUR DU MOTEUR	INTERRUPTOR DEL MOTOR
—•— SPLICE	ÉPISURE	EMPALME
⚡ MOTOR PROTECTOR	PROTECTEUR DU MOTEUR	PROTECTOR DEL MOTOR
⚡ CHASSIS (CABINET) GROUND	MISE À LA TERRE DU BOÎTIER	PUESTA A TIERRA DEL CHASIS (GABINETE)
○ SCREW TERMINAL	BORNE À VIS	BORNE DE TORNILLO
⚡ HARNESS CONNECTOR TERMINAL	BORNE À CONNECTEUR DE HARNAIS	TERMINAL CONECTOR DE CONEXIONADO
⊗ INSULATED TERMINAL	BORNE OSOLEE	TERMINAL AISLADO

FABRIC SELECTOR SWITCH BOUTON DE SÉLECTION DU TISSU INTERRUPTOR SELECTOR DE TELAS			CIRCUIT CIRCUIT CIRCUITO			
FUNCTION	FONCTION	FUNCIÓN	1-2	4-3	4-5	6-7
REGULAR	RÉGULIER	RÉGULAR	X			
MEDIUM	MOYEN	MEDIO	X	X		
LOW	FAIBLE	BAJO	X		X	
AIR FLUFF	DUVETAGE	ESFONNADO CON AIRE				X

NOTES:

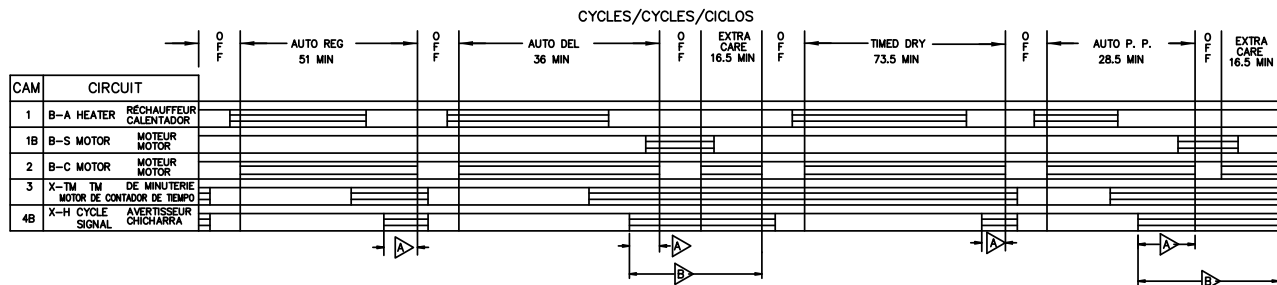
- ALL WIRING MUST CONFORM TO LOCAL ELECTRICAL CODES.
- CONNECT DRYER TO A 15 AMP INDIVIDUAL BRANCH CIRCUIT.
- TIMER SHOWN IN OFF POSITION, DOOR SWITCH CLOSED, MOTOR AT REST, THERMOSTAT CLOSED AND FABRIC SELECTOR SWITCH AT REGULAR.

REMARQUES:

- TOUT LE CÂBLAGE DOIT RESPECTER LES CODES DE L'ÉLECTRICITÉ LOCAUX.
- BRANCHER LA SÈCHEUSE À UNE DÉRIVATION DISTINCTE DE 15 AMPÈRES.
- MINUTERIE ILLUSTRÉE EN POSITION FERMÉE, INTERRUPTEUR DE LA PORTE FERMÉE, MOTEUR ARRÊTÉ, THERMOSTAT FERMÉ ET BOUTON DE SÉLECTION DU TISSU SUR RÉGULIER.

NOTAS:

- TODAS LAS INSTALACIONES ALAMBRICAS DEBEN CUMPLIR CON LOS CODIGOS ELECTRICOS LOCALES.
- CONECTAR LA SECADORA A UN CIRCUITO DE RAMAL INDIVIDUAL DE 15 AMPERIOS.
- EL CRONIZADOR SE MUESTRA EN POSICION APAGADO, EL INTERRUPTOR DE LA PUERTA CERRADO, EL MOTOR EN REPOSE, EL THERMOSTATO CERRADO Y EL INTERRUPTOR SELECTOR DE TELAS EN REGULAR.



BAR CHART ABOVE REPRESENTS ONE COMPLETE REVOLUTION OF TIMER SHAFT.

LE DIAGRAMME SUR LA GAUCHE REPRÉSENTE UNE ROTATION COMPLÈTE DE L'ARBRE DE LA MINUTERIE.

EL GRAFICO DE BARRAS DE LA IZQUIERDA REPRESENTA UNA REVOLUCION COMPLETA DEL EJE DEL CRONIZADOR.

SHADED PORTION OF BAR CHART INDICATES THE PROPORTIONAL TIMES THAT INTERNAL TIMER CONTACTS ARE CLOSED.

LA PARTIE OMBRÉE DU DIAGRAMME INDIQUE LE TEMPS RELATIF PENDANT LEQUEL LES CONTACTS INTERNES DE LA MINUTERIE SONT FERMÉS.

LA PORCION SOMBREADA DEL GRAFICO DE BARRAS INDICA LOS TIEMPOS PROPORCIONALES QUE LOS CONTACTOS INTERNOS DEL CRONIZADOR ESTAN CERRADOS.

A PULSAR CAM, LOCATED NEXT TO THE BUZZER CAM AND ROTATING AT 12 REVOLUTIONS PER HOUR, ALLOWS CIRCUITS "X-H" TO CLOSE FOR 5 SECONDS (±3 SECONDS).

UNE CAME D'IMPULSION SITUÉE À CÔTÉ DE LA CAME DE L'AVERTISSEUR ET TOURNANT À RAISON DE 12 TOURS À L'HEURE PERMET AU CIRCUIT «X-H» DE SE FERMER PENDANT 5 SECONDES (±3 SECONDES).

UNA LEVA GENERADORA DE IMPULSION, UBICADA JUNTO A LA LEVA DEL ZUMBADOR Y GIRANDO A 12 REVOLUCIONES POR HORA, PERMITE QUE EL CIRCUITO "X-H" SE CIERRE DURANTE 5 SEGUNDOS (±3 SEGUNDOS).

- ▶ 1 OR 2 TIMES IN THIS AREA
- ▶ 5 TO 7 TIMES IN THIS AREA

- ▶ 1 OU 2 FOIS DANS CETTE SECTION
- ▶ DE 5 À 7 FOIS DANS CETTE SECTION

- ▶ 1 Ó 2 VECES EN ESTA AREA
- ▶ 5 A 7 VECES EN ESTA AREA

G

WIRING DIAGRAM
SCHEMA DE CÂBLAGE
DIAGRAMA DE CONEXIONES
137057500 A