

# FRIGIDAIRE

GALLERY



## Dishwashers

FGHD2433K F/W/B

24" Built-In



### Signature Features



#### Quietest Dishwasher in Its Class<sup>1</sup>

A quiet performance every time.



#### Effortless™ Dry

Get the best drying performance in its class<sup>2</sup> with Effortless™ Dry.



#### SpaceWise™ Organization System

Our SpaceWise™ Organization system features adjustable racks and the Largest Silverware Basket<sup>3</sup> so there's a place for virtually anything.



#### Largest Silverware Basket<sup>3</sup>

There's room for over 180 items in our multicompart silverware basket.

### Effortless Performance

Real Stainless Steel  
DishSense™ Technology  
7 Wash Cycles Including –  
Energy Saver Plus  
Quick Clean  
Top Rack Only Wash  
Low-Rinse Aid Indicator  
AquaSurge™ Technology  
5 Wash Levels

### Performance-Driven Style

Express-Select™ Controls  
Stay-Put Door  
Fully-Integrated Control Panel with Digital Display  
Tall Tub Design  
GraniteGrey™ Interior

### SpaceWise™ Design

Adjustable Upper Rack –  
Fold-Down Tines  
2 Cup Shelves  
Stemware Holders  
Utensil Trays  
Lower Rack –  
2 Full Rows Fold-Down Tines

### More Easy-To-Use Features

Delay Start (1-24 Hours)  
Hi-Temp Wash Option  
Heat /No Heat Dry  
China Crystal Cycle  
Removable Stainless Steel Filter  
Stainless Steel Food Disposer  
Controls Lock

ENERGY STAR®  
NSF® International Certification



### Overall Exterior Dimensions

Height	33-1/2" – 35"
Width	24"
Depth	25"

### Available in:



Stainless  
(F)



White  
(W)

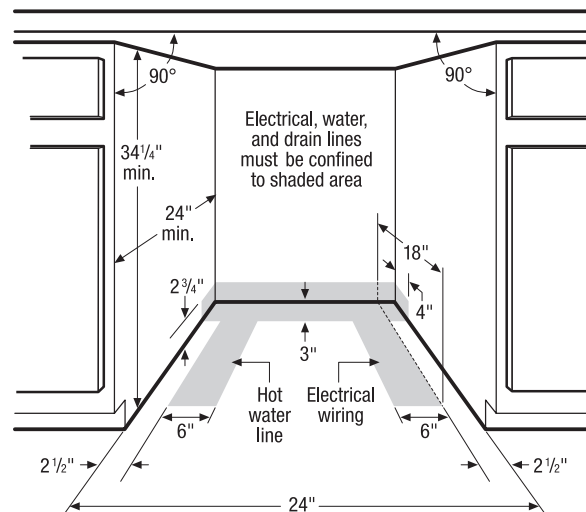
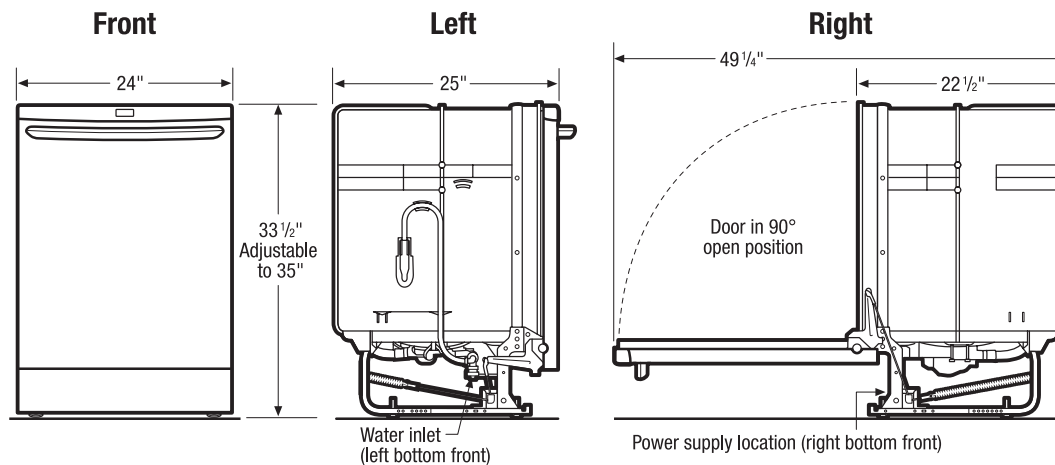


Black  
(B)

<sup>1</sup>Based on published manufacturer specifications for plastic interior dishwashers.

<sup>2</sup>Based on industry standard dryability testing using Effortless™ Dry; plastic interior dishwashers.

<sup>3</sup>Among leading brands.



### Dishwasher Specifications

- Product Shipping Weight (approx.) - 83 Lbs.
- Voltage Rating - 120V/60 Hz/15 Amps (*maximum 20 Amps if connected with disposer*)
- Connected Load (kW Rating) @ 120 Volts = 1.44 kW (For use on adequately wired 120V, dedicated circuit having 2-wire service with a separate ground wire. Appliance must be grounded for safe operation.)
- Amps @ 120V = 10 Amps
- Always consult local and national electric & plumbing codes.
- Water Pressure - Hot water line to dishwasher must provide between 20 and 120 pounds per square inch (psi).
- Make sure location has right drain, water and electrical outlets to make connections.
- Keep back free of drain, water & electrical supply.

- Electrical and water supplies should enter cabinet opening on floor, or through back or side walls, as shown in shaded areas.
- Connections preferably located toward left side of dishwasher. Do not cross drain, water or electrical lines in front of motor, blower or frame.
- When installing adjacent to wall, cabinet or other obstruction that extends beyond front edge of unit, allow 2" minimum clearance between opened door and obstruction.
- When installing at end of cabinet line, sides must be fully enclosed.
- Do not install unit under a cooktop, damage will occur.

**Note:** For planning purposes only. Refer to Product Installation Guide on the web at [frigidaire.com](http://frigidaire.com) for detailed instructions.