

*Frigidaire*

Factory Parts Catalog

|                    |               |               |               |               |               |
|--------------------|---------------|---------------|---------------|---------------|---------------|
| Product No.        | FRS6HF55KB0   | FRS6HF55KM0   | FRS6HF55KQ0   | FRS6HF55KS0   | FRS6HF55KW0   |
| Series             | R134a         | R134a         | R134a         | R134a         | R134a         |
| Color              | black         | silver mist   | bisque        | stainless     | white         |
| Volts              | 115           | 115           | 115           | 115           | 115           |
| Wiring Diagram     | 241970401     | 241970401     | 241970401     | 241970401     | 241970401     |
| Owner's Guide      | 241856000     | 241856000     | 241856000     | 241856000     | 241856000     |
| Market             | North America | North America | North America | North America | North America |
| Energy Guide       | 241935593     | 241935593     | 241935593     | 241935593     | 241935593     |
| Service Data Sheet | 240389636     | 240389636     | 240389636     | 240389636     | 240389636     |



Electrolux Major Appliances  
 North & Latin America  
 P.O. BOX 212378  
 AUGUSTA, GA 30917

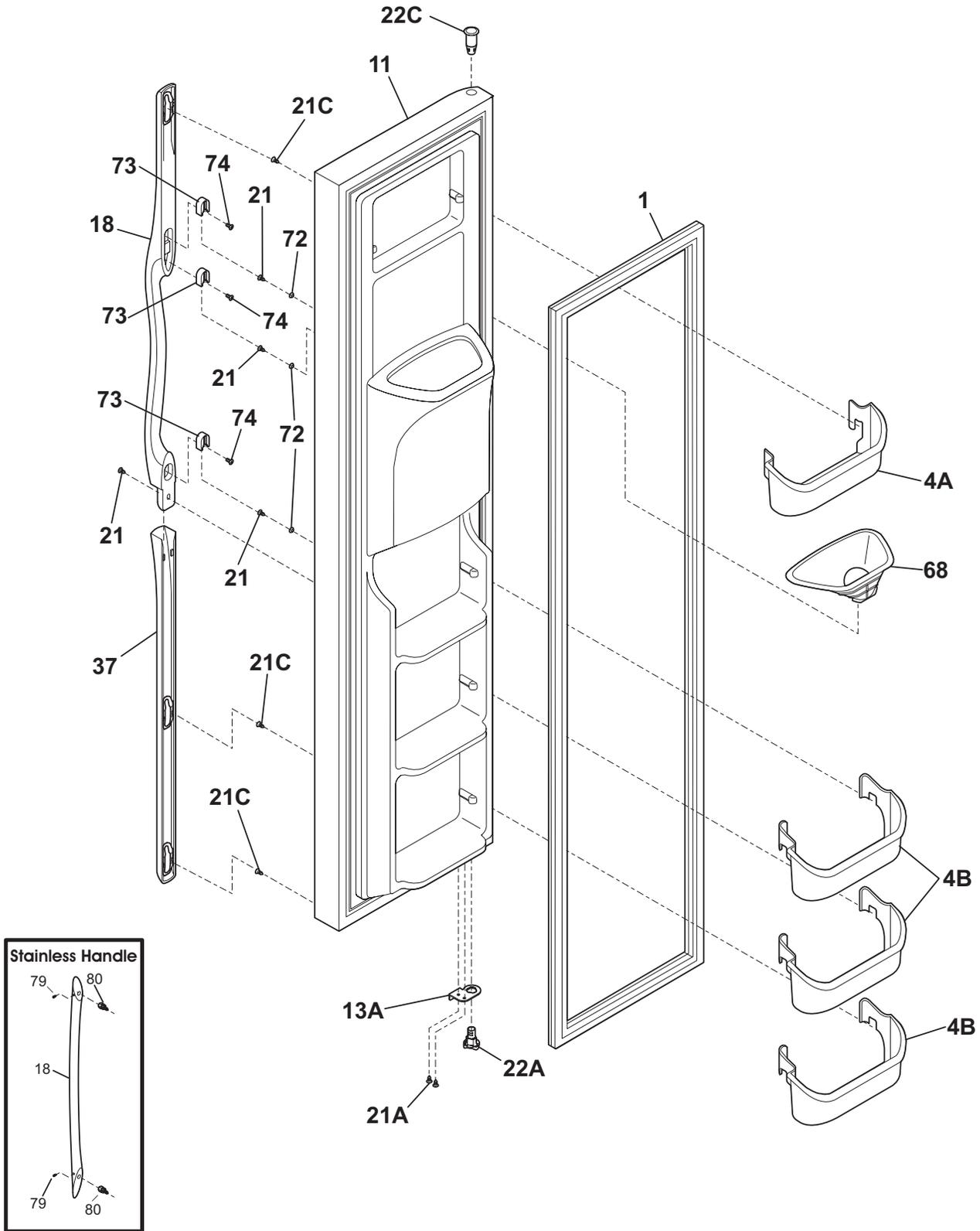
Publication No.  
**5995535126**  
 09/03/11  
 (EN/SERVICE/DCS)  
 137

**SIDE-BY-SIDE  
 REFRIGERATOR**

Model No.  
**FRS6HF55K**

Copyright © 2009 Electrolux Home Products, Inc.  
 All rights reserved.

**FREEZER DOOR**



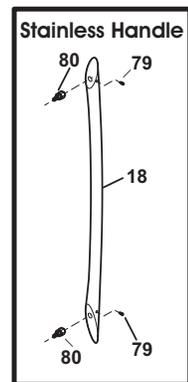
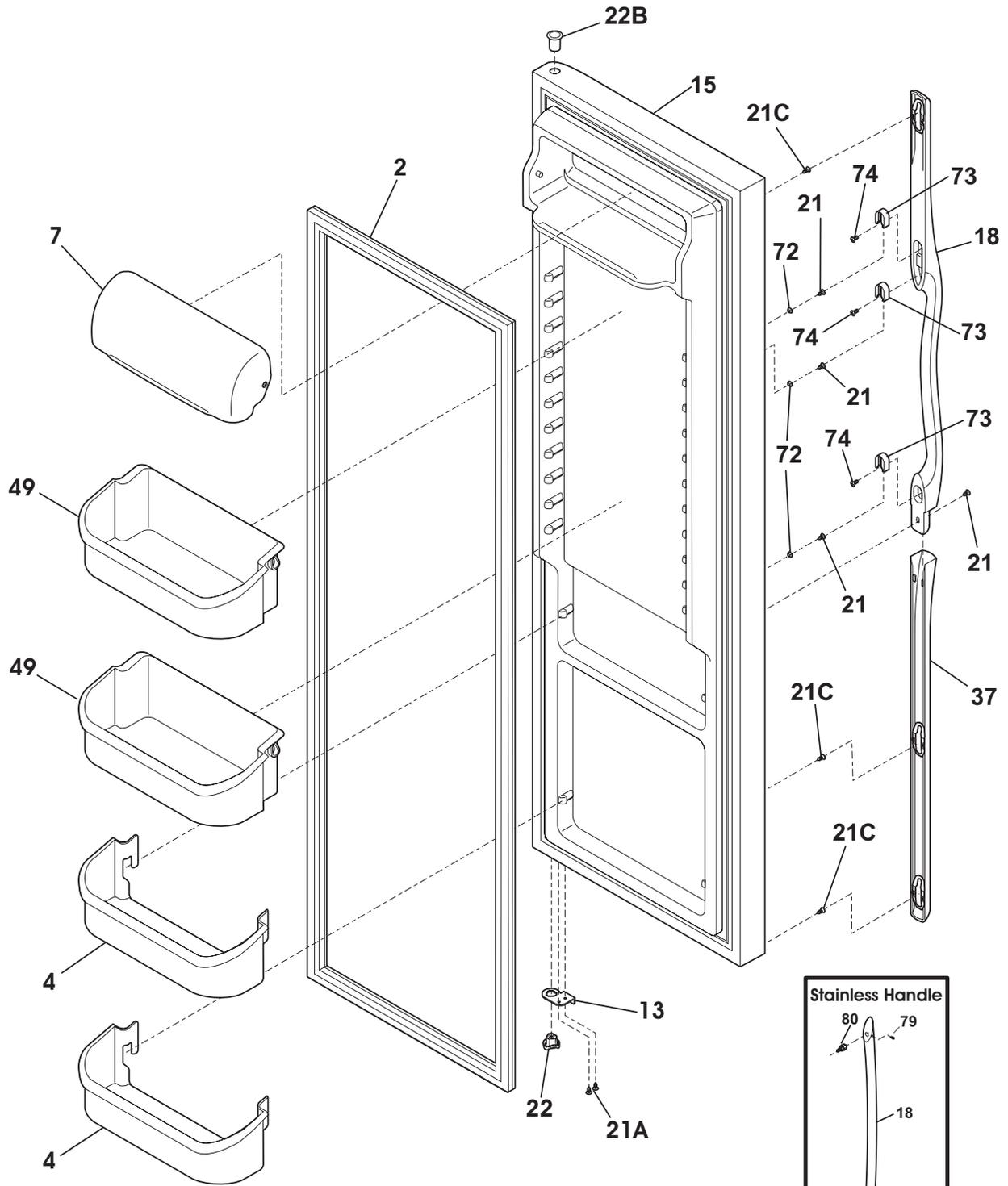
**N58FCCBBC5**

## FREEZER DOOR

*Model Index:*    A FRS6HF55K (FRS6HF55KB0)  
                           B FRS6HF55K (FRS6HF55KM0)  
                           C FRS6HF55K (FRS6HF55KQ0)  
                           D FRS6HF55K (FRS6HF55KS0)  
                           E FRS6HF55K (FRS6HF55KW0)

| POS. NO | PART NO.   |           | DESCRIPTION  |
|---------|------------|-----------|--|
| 1       | 241786006  | A B - D - | Gasket-frzr door, black, magnetic                      |
| 1       | 241786002  | - - C - E | Gasket-frzr door, white, magnetic                      |
| 4A      | 240334201  | A B C D E | Bin-door, frzr-upper                                   |
| 4B      | 240351601  | A B C D E | Bin-door   |
| 11      | 241668151  | A - - - - | Door-frzr, black, complete assy                        |
| 11      | 241668504  | - B - - - | Door-frzr, silver mist, complete assy                  |
| 11      | 241668135  | - - C - - | Door-frzr, bisque, complete assy                       |
| 11      | 241615160  | - - - D - | Door, frzr, stainless steel, RH                        |
| 11      | 241668112  | - - - - E | Door-frzr, white, complete assy                        |
| 13A     | 240581906  | A B - D - | Door Stop, black, frzr                                 |
| 13A     | 240581904  | - - C - - | Door Stop, bisque, frzr                                |
| 13A     | 240581902  | - - - - E | Door Stop, white, frzr                                 |
| 18      | 241934305  | A B - - - | Handle-door, black                                     |
| 18      | 241934306  | - - C - - | Handle-door, bisque                                    |
| 18      | 240536818  | - - - D - | Handle-door, stainless steel, with insert, & set screw |
| 18*     | 241601001  | - - - D - | Wrench, allen  |
| 18      | 241934304  | - - - - E | Handle-door, white                                     |
| 21      | 218781101  | A B C D E | Screw, pan head, 8-18 x 0.625                          |
| 21A     | 240598402  | A B C D E | Screw, 10-32 x 1/2                                     |
| 21C     | 240521304  | A B C - E | Screw, #8-18 x 3/4                                     |
| 22A     | 240328204  | A B - D - | Bearing-hinge(frzr), black, closer                     |
| 22A     | 240328202  | - - C - E | Bearing-hinge(frzr), closer                            |
| 22C     | 240328404  | A B - D - | Bearing-hinge, black, upper                            |
| 22C     | 240328402  | - - C - E | Bearing-hinge, natural, upper                          |
| 37      | 241927001  | - - - - E | Trim-door handle, white, bottom                        |
| 37      | 241927002  | A B - - - | Trim-door handle, black, bottom                        |
| 37      | 241927003  | - - C - - | Trim-door handle, bisque, bottom                       |
| 68      | 241525101  | A B C D E | Chute-ice  |
| 72      | 240421701  | A B C - E | Button-handle mtg, dovetail                            |
| 73      | 218396700  | A B C - E | Block-handle mtg, dovetail                             |
| 74      | 215503204  | A B C - E | Screw, cr pan hd, 10-16                                |
| 79      | 218755402  | - - - D - | Screw-set, 10-32 x 0.375                               |
| 80      | 218755504  | - - - D - | Screw-shoulder, #10 AB, handle mounting                |
| *       | 240552102  | A B C D E | Harness-wiring, door                                   |
| *       | 241806601  | A B C D E | Connector-water, straight                              |
| *       | 5303918256 | A B C D E | Dispenser heater kit                                   |
| *       | 240470401  | A B C D E | Connector-amp  |

REFRIGERATOR DOOR



N58RCCBBB17

## REFRIGERATOR DOOR

Model Index: A FRS6HF55K (FRS6HF55KB0)  
 B FRS6HF55K (FRS6HF55KM0)  
 C FRS6HF55K (FRS6HF55KQ0)  
 D FRS6HF55K (FRS6HF55KS0)  
 E FRS6HF55K (FRS6HF55KW0)

| POS. NO | PART NO.  |           | DESCRIPTION  |
|---------|-----------|-----------|--|
| 2       | 241786005 | A B - D - | Gasket-refr door, black, magnetic                      |
| 2       | 241786001 | - - C - E | Gasket-refr door, white, magnetic                      |
| 4       | 240323002 | A B C D E | Bin-door, pseudo, bottom                               |
| 7       | 240326203 | A B C D E | Door-dairy   |
| 13      | 240581905 | A B - D - | Door Stop, black, ref                                  |
| 13      | 240581903 | - - C - - | Door Stop, bisque, ref                                 |
| 13      | 240581901 | - - - - E | Door Stop, white, refr                                 |
| 15      | 240451908 | A - - - - | Door-refr, black, complete assy                        |
| 15      | 241534551 | - B - - - | Door-refr, silver mist, complete assy                  |
| 15      | 240451904 | - - C - - | Door-refr, bisque, complete assy                       |
| 15      | 241629333 | - - - D - | Door-refr, stainless, complete assy                    |
| 15      | 240451900 | - - - - E | Door-refr, white, complete assy                        |
| 18      | 241934302 | A B - - - | Handle-door, black                                     |
| 18      | 241934303 | - - C - - | Handle-door, bisque                                    |
| 18      | 240536818 | - - - D - | Handle-door, stainless steel, with insert, & set screw |
| 18*     | 241601001 | - - - D - | Wrench, allen  |
| 18      | 241934301 | - - - - E | Handle-door, white                                     |
| 21      | 218781101 | A B C D E | Screw, pan head, 8-18 x 0.625                          |
| 21A     | 240598402 | A B C D E | Screw, 10-32 x 1/2                                     |
| 21C     | 240521304 | A B C - E | Screw, #8-18 x 3/4                                     |
| 22      | 240328203 | A B - D - | Bearing-hinge, black, closer                           |
| 22      | 240328201 | - - C - E | Bearing-hinge(ref), closer                             |
| 22B     | 240328404 | A B - D - | Bearing-hinge, black, upper                            |
| 22B     | 240328402 | - - C - E | Bearing-hinge, natural, upper                          |
| 37      | 241927002 | A B - - - | Trim-door handle, black, bottom                        |
| 37      | 241927003 | - - C - - | Trim-door handle, bisque, bottom                       |
| 37      | 241927001 | - - - - E | Trim-door handle, white, bottom                        |
| 49      | 240356402 | A B C D E | Bin-door, gallon                                       |
| 72      | 240421701 | A B C - E | Button-handle mtg, dovetail                            |
| 73      | 218396700 | A B C - E | Block-handle mtg, dovetail                             |
| 74      | 215503204 | A B C - E | Screw, cr pan hd, 10-16                                |
| 79      | 218755402 | - - - D - | Screw-set, 10-32 x 0.375                               |
| 80      | 218755504 | - - - D - | Screw-shoulder, #10 AB, handle mounting                |

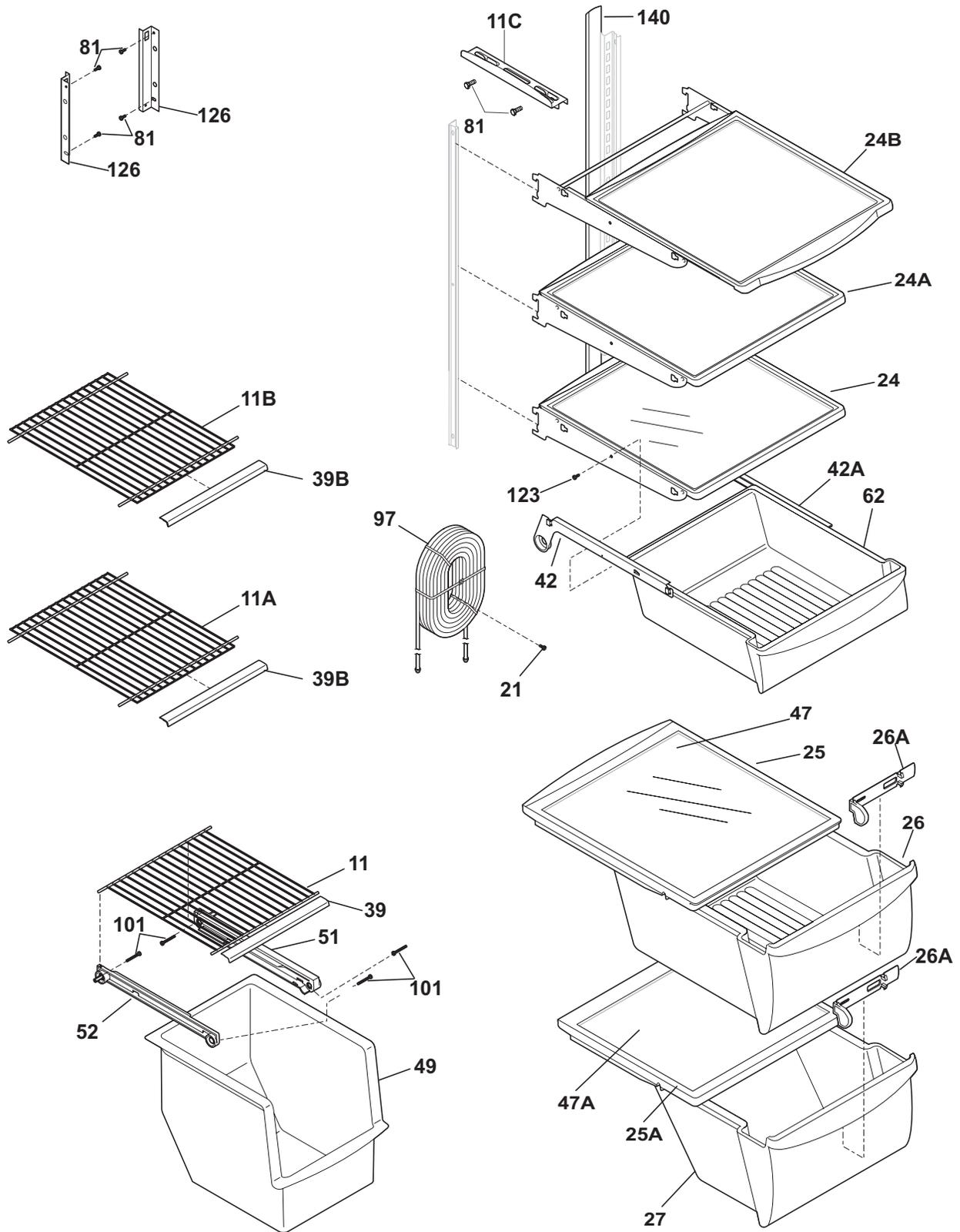


**CABINET**

*Model Index:* A FRS6HF55K (FRS6HF55KB0)  
 B FRS6HF55K (FRS6HF55KM0)  
 C FRS6HF55K (FRS6HF55KQ0)  
 D FRS6HF55K (FRS6HF55KS0)  
 E FRS6HF55K (FRS6HF55KW0)

| POS. NO | PART NO.   | A | B | C | D | E | DESCRIPTION  |
|---------|------------|---|---|---|---|---|--|
| 10      | 240435912  | A | B | C | D | E | Cover-air duct   |
| 10A     | 241719711  | A | B | C | D | E | Cover-evap coil, lower   |
| 11      | 5303208309 | A | B | C | D | E | Plug-hole, factory test  |
| 14      | 240505801  | A | B | C | D | E | Switch, light/lamp   |
| 14A     | 241547901  | A | B | C | D | E | Switch-light/lamp, frzr door                                   |
| 21C     | 218252201  | A | B | C | D | E | Screw, #8 truss hd, 10-32CA x 0.500                            |
| 22      | 240457702  | A | B | - | D | - | Plate-door closer  |
| 22      | 240457701  | - | - | C | - | E | Plate-door closer  |
| 23      | 240402702  | A | B | C | D | E | Screw-#10-32 x 1/4 flat hd                                     |
| 28      | 240335502  | A | B | C | D | E | Bolt-roller adj, hex washer head, 1/4-20 x 4.020, (2), special |
| 30      | 241603703  | A | B | C | D | E | Bracket-lower hinge, ref                                       |
| 30A     | 241603704  | A | B | C | D | E | Bracket-lower hinge  |
| 37      | 240337610  | A | B | - | D | - | Trim-cabinet corner, black, (2)                                |
| 37      | 240337611  | - | - | C | - | - | Trim-cabinet corner, bisque, (2)                               |
| 37      | 240337608  | - | - | - | - | E | Trim-cabinet corner, white, (2)                                |
| 38      | 240327207  | A | B | C | D | E | Bracket-upper hinge  |
| 40      | 240327007  | A | B | - | D | - | Cover-upper hinge, black                                       |
| 40      | 240327006  | - | - | C | - | - | Cover-upper hinge, bisque                                      |
| 40      | 240327005  | - | - | - | - | E | Cover-upper hinge, white                                       |
| 41      | 241550801  | A | B | C | D | E | Grommet-shelf mtg, 1.40" long                                  |
| 41*     | 241550701  | A | B | C | D | E | Grommet-shelf mtg, .96" long                                   |
| 42      | 240578902  | A | B | C | D | E | Screw, hex head, 1/4-20 x 5/8                                  |
| 43      | 240335006  | A | B | C | D | E | Roller Assy, front, (2)  |
| 45      | 241500303  | A | B | C | D | E | Screw, hex washer head, 8-18AB x 0.500                         |
| 47      | 240349402  | A | B | C | D | E | Channel-shelf mtg, side, (2)                                   |
| 58      | 218781101  | A | B | C | D | E | Screw, pan head, 8-18 x 0.625                                  |
| 66      | 5304424968 | A | B | C | D | E | Damper Cover Assy  |
| 66*     | 240518802  | A | B | C | D | E | Pin-push, push-in, plastic                                     |
| 72      | 240324411  | A | B | - | D | - | Grille/Kickplate, black  |
| 72      | 240324410  | - | - | C | - | - | Grille/Kickplate, bisque                                       |
| 72      | 240324409  | - | - | - | - | E | Grille/Kickplate, white  |
| 81      | 5304455650 | A | B | C | D | E | Screw, hex washer head, 8-15A x 0.625, low profile             |
| 82      | 5304418225 | A | B | C | D | E | Roller, compressor base, rear, (2)                             |
| 83      | 5304455655 | A | B | C | D | E | Rivet, flat head, 1/4 OD x 1-3/4, roller pin                   |
| 89      | 241733902  | A | B | C | D | E | Cover-access, w/label  |
| 90      | 218249808  | A | B | C | D | E | Seal-coil cover  |
| 91      | 240380101  | A | B | C | D | E | Duct-ice maker   |
| 92      | 241710601  | A | B | C | D | E | Screw, hex washer hd, 1/4 x 7/8, hinge mtg                     |
| 100     | 240423701  | A | B | C | D | E | Support, crisper cover, front, (4)                             |
| 100*    | 240350802  | A | B | C | D | E | Support, crisper cover, rear, (4)                              |
| 150     | 240368701  | A | B | C | D | E | Guide-control bulb   |
| *       | 240396801  | A | B | C | D | E | Clamp, tube/wiring, nylon, black/natural                       |
| *       | 240479601  | A | B | C | D | E | Plug, button, cab liner holes                                  |
| *       | 5303321321 | A | B | - | D | - | Paint, touch-up, black   |
| *       | 5304414035 | - | - | C | - | - | Paint, touch-up, bisque  |
| *       | 5303321319 | - | - | - | - | E | Paint, touch-up, white   |

**SHELVES**



**N58SJCHBD10**

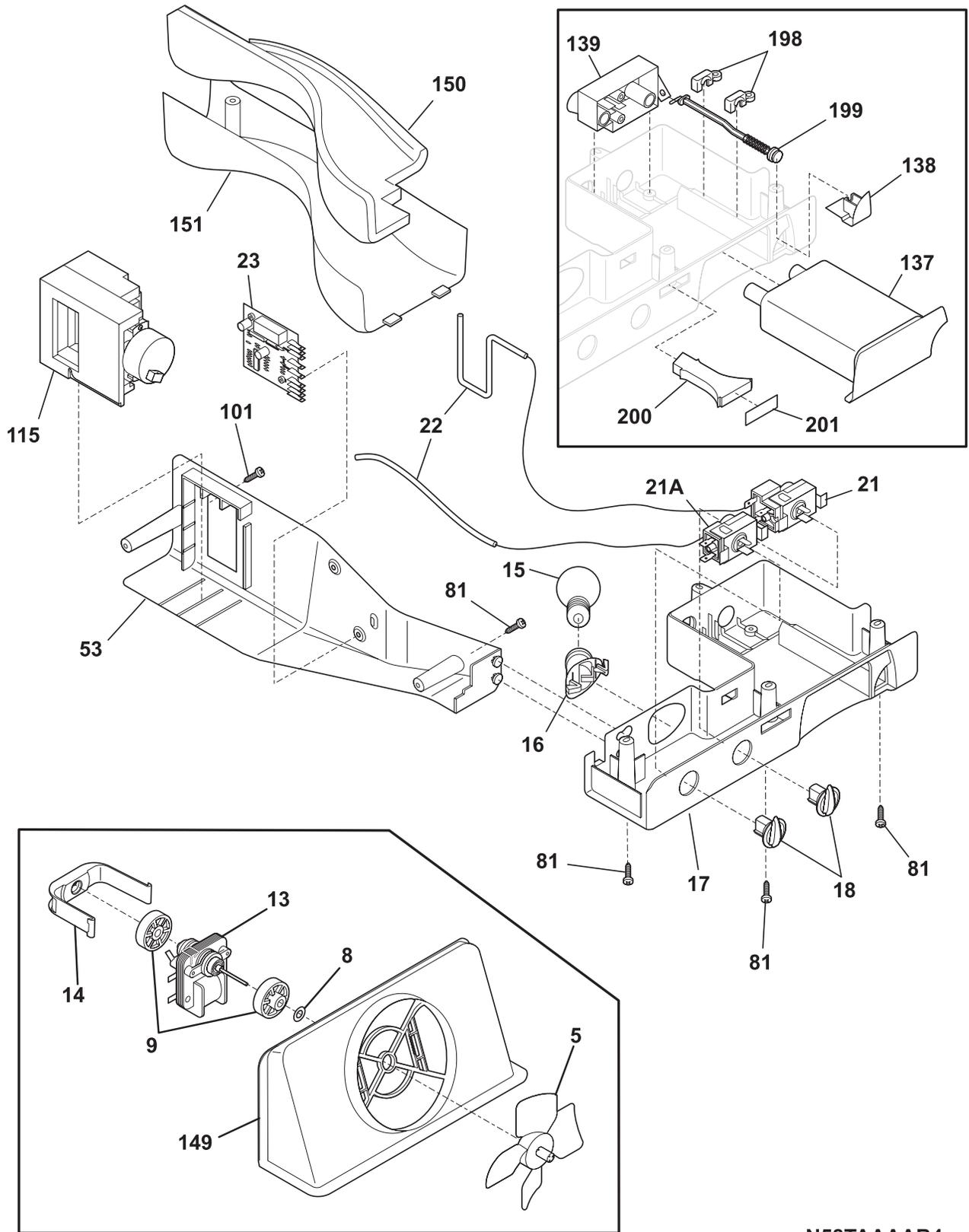


**SHELVES**

*Model Index:* A FRS6HF55K (FRS6HF55KB0)  
 B FRS6HF55K (FRS6HF55KM0)  
 C FRS6HF55K (FRS6HF55KQ0)  
 D FRS6HF55K (FRS6HF55KS0)  
 E FRS6HF55K (FRS6HF55KW0)

| POS. NO | PART NO.   | A | B | C | D | E | DESCRIPTION  |
|---------|------------|---|---|---|---|---|--|
| 11      | 241657602  |   |   |   |   |   | Shelf, flip up, wire                               |
| 11A     | 241657502  |   |   |   |   |   | Shelf, fixed, freezer                              |
| 11B     | 241657504  |   |   |   |   |   | Shelf, fixed, upper, freezer                       |
| 11C     | 240324101  |   |   |   |   |   | Shelf-pizza  |
| 21      | 5304455658 |   |   |   |   |   | Screw, hx wshr hd sems, 8-15A x 0.625              |
| 24      | 240355207  |   |   |   |   |   | Shelf-"Spill-Safe", cantilever, half width, fixed  |
| 24A     | 240355208  |   |   |   |   |   | Shelf-"Spill-Safe", fixed                          |
| 24B     | 240350108  |   |   |   |   |   | Shelf-"Spill-Safe", cantilever, sliding            |
| 25      | 240350702  |   |   |   |   |   | Cover-crisper pan, upper                           |
| 25*     | 240362101  |   |   |   |   |   | Clip-slide, cover-crisper                          |
| 25A     | 240350902  |   |   |   |   |   | Cover-crisper pan, lower                           |
| 26      | 240351005  |   |   |   |   |   | Pan-crisper, upper                                 |
| 26*     | 240349801  |   |   |   |   |   | Clip-slide, pan-crisper                            |
| 26*     | 241595202  |   |   |   |   |   | Clip-slide, pan-crisper                            |
| 26A     | 240362201  |   |   |   |   |   | Control-humidity                                   |
| 27      | 240351205  |   |   |   |   |   | Pan-crisper, lower                                 |
| 39      | 240430706  |   |   |   |   |   | Trim-shelf, 11.21", front                          |
| 39B     | 240430702  |   |   |   |   |   | Trim-shelf, 12.39", front                          |
| 42      | 240356501  |   |   |   |   |   | Track, meat pan hanger, RH                         |
| 42A     | 240349701  |   |   |   |   |   | Hanger-meat pan, LH                                |
| 42A*    | 240349901  |   |   |   |   |   | Block-meat pan rail, LH                            |
| 42A*    | 240350001  |   |   |   |   |   | Spring-meat pan rail                               |
| 42A*    | 240356702  |   |   |   |   |   | Seal-meat pan                                      |
| 47      | 240350633  |   |   |   |   |   | Insert-pan cover, glass                            |
| 47A     | 240350603  |   |   |   |   |   | Insert-pan cover, glass                            |
| 49      | 240564401  |   |   |   |   |   | Basket-sliding                                     |
| 51      | 240343002  |   |   |   |   |   | Hanger-basket, RH                                  |
| 52      | 240343102  |   |   |   |   |   | Hanger-basket, LH                                  |
| 62      | 240342805  |   |   |   |   |   | Pan-meat   |
| 81      | 5304455650 |   |   |   |   |   | Screw, hex washer head, 8-15A x 0.625, low profile |
| 97      | 240545307  |   |   |   |   |   | Water Tank   |
| 101     | 218493101  |   |   |   |   |   | Screw, hex washer head, 8-18AB x 1-3/4             |
| 123     | 215005101  |   |   |   |   |   | Screw, hanger/rlr mtg, 8-10 x 7/16                 |
| 126     | 241674401  |   |   |   |   |   | Channel, auger mtg, LH                             |
| 126     | 241674402  |   |   |   |   |   | Channel, auger mtg, RH                             |
| 140     | 240430501  |   |   |   |   |   | Channel, wtr tube cover                            |
| *       | 241935593  |   |   |   |   |   | Energy Guide                                       |

**CONTROLS**



**N58TAAAAB4**

**CONTROLS**

*Model Index:* A FRS6HF55K (FRS6HF55KB0)  
 B FRS6HF55K (FRS6HF55KM0)  
 C FRS6HF55K (FRS6HF55KQ0)  
 D FRS6HF55K (FRS6HF55KS0)  
 E FRS6HF55K (FRS6HF55KW0)

| POS. NO | PART NO.   | A | B | C | D | E | DESCRIPTION   |
|---------|------------|---|---|---|---|---|---|
| 5 #     | 5308000010 | A | B | C | D | E | Fan Blade, red, evaporator fan                      |
| 8       | 215474201  | A | B | C | D | E | Washer, "slinger", nylon, evap fan shaft            |
| 9       | 241563601  | A | B | C | D | E | Bushing-motor mtg                                   |
| 13      | 241854601  | A | B | C | D | E | Motor-evap fan                                      |
| 14      | 241517701  | A | B | C | D | E | Clip, evap fan motor                                |
| 15      | 241555401  | A | B | C | D | E | Light Bulb  |
| 16 #    | 241513901  | A | B | C | D | E | Socket-light  |
| 17      | 240317701  | A | B | C | D | E | Box-control, front                                  |
| 17*     | 241537803  | A | B | C | D | E | Harness-wiring, control box                         |
| 18      | 240360801  | A | B | C | D | E | Knob, temp control                                  |
| 21 #    | 241586501  | A | B | C | D | E | Control-temperature                                 |
| 21A#    | 5304421067 | A | B | C | D | E | Control-temperature, frzr section                   |
| 22      | 218660704  | A | B | C | D | E | Tube, insulator, plastic                            |
| 23 #    | 241508001  | A | B | C | D | E | Control-defrost, adaptive timer, PC board           |
| 23*     | 5304455649 | A | B | C | D | E | Screw, pan hd, 6-20 x 0.438                         |
| 53      | 240369501  | A | B | C | D | E | Box-control   |
| 81      | 5304455650 | A | B | C | D | E | Screw, hex washer head, 8-15A x 0.625, low profile  |
| 101     | 241637202  | A | B | C | D | E | Screw, #8AB x 1 3/4"                                |
| 115     | 241600902  | A | B | C | D | E | Damper Assy, w/seal                                 |
| 137     | 240396401  | A | B | C | D | E | Filter, water, carbon cassette, front, with o'rings |
| 137*    | 240396701  | A | B | C | D | E | Bypass, water filter, Optional Part                 |
| 138     | 240397301  | A | B | C | D | E | Button-filter release                               |
| 139     | 240396002  | A | B | C | D | E | Base-water filter                                   |
| 139*    | 240526901  | A | B | C | D | E | O-ring, wtr filter base                             |
| 149     | 241563501  | A | B | C | D | E | Shroud-fan orifice                                  |
| 149*    | 241528305  | A | B | C | D | E | Seal, shroud  |
| 150     | 240394204  | A | B | C | D | E | Insulation-water tube cover                         |
| 151     | 240373806  | A | B | C | D | E | Cover-water tube                                    |
| 198     | 240397401  | A | B | C | D | E | Retainer  |
| 199     | 240397501  | A | B | C | D | E | Rod   |
| 199*    | 240398401  | A | B | C | D | E | Spring-filter release rod                           |
| 200     | 240397601  | A | B | C | D | E | Light Pipe  |
| 201     | 240398501  | A | B | C | D | E | Label-control box                                   |
| *       | 3205266    | A | B | C | D | E | Edge Protector, wiring harness                      |
| *       | 240427201  | A | B | C | D | E | Heater-freezer control                              |
| *       | 240470401  | A | B | C | D | E | Connector-amp                                       |



**SYSTEM**

*Model Index:* A FRS6HF55K (FRS6HF55KB0)  
 B FRS6HF55K (FRS6HF55KM0)  
 C FRS6HF55K (FRS6HF55KQ0)  
 D FRS6HF55K (FRS6HF55KS0)  
 E FRS6HF55K (FRS6HF55KW0)

| POS. NO | PART NO.   | A | B | C | D | E | DESCRIPTION  |
|---------|------------|---|---|---|---|---|--|
| 1       | 240333603  |   |   |   |   |   | Condenser  |
| 3       | 218679607  |   |   |   |   |   | Block-evap coil, styrofoam, (2)                    |
| 4 #     | 218944001  |   |   |   |   |   | Drier-filter, R134a System                         |
| 6 #     | 241586801  |   |   |   |   |   | Harness-wiring, machine compt                      |
| 6*      | 241537803  |   |   |   |   |   | Harness-wiring, control box                        |
| 14 #    | 240316107  |   |   |   |   |   | Heater-defrost                                     |
| 15 #    | 5303918284 |   |   |   |   |   | Evaporator Kit                                     |
| 16      | 5308000110 |   |   |   |   |   | Strap-evap/heater, aluminum, (2)                   |
| 21 #    | 5303918214 |   |   |   |   |   | Thermostat-defrost, kit                            |
| 22      | 240330011  |   |   |   |   |   | Base-compressor mtg                                |
| 22*     | 218252201  |   |   |   |   |   | Screw, #8 truss hd, 10-32CA x 0.500                |
| 23      | 218513300  |   |   |   |   |   | Grommet-compr mtg, (4)                             |
| 25      | 240491503  |   |   |   |   |   | Screw-compressor mtg, 1/4-28 x 1.16, (4)           |
| 26      | 241697602  |   |   |   |   |   | Pan-defrost  |
| 29 #    | 5303918372 |   |   |   |   |   | Compressor Kit                                     |
| 30 #    | 241941003  |   |   |   |   |   | Starter  |
| 32      | 241982601  |   |   |   |   |   | Clamp, elec cont mtg, compressor                   |
| 34      | 240405201  |   |   |   |   |   | Grommet, rubber, black, cond tube/wire             |
| 41      | 240555002  |   |   |   |   |   | Screw-#8-32 X 3/8                                  |
| 44      | 215174700  |   |   |   |   |   | Clamp-service cord, strain relief, galv steel      |
| 45      | 5304455650 |   |   |   |   |   | Screw, hex washer head, 8-15A x 0.625, low profile |
| 55      | 218909915  |   |   |   |   |   | Capacitor, run, 220 VAC, 15 microfarad             |
| 57      | 240542601  |   |   |   |   |   | Clip-wiring harness                                |
| 58      | 240433203  |   |   |   |   |   | Screw, hex washer head, 8-18 x 3/8                 |
| 59      | 240315502  |   |   |   |   |   | Shroud-cond fan                                    |
| 59*     | 240346701  |   |   |   |   |   | Tape-foam seal, shroud                             |
| 59*     | 240359403  |   |   |   |   |   | Screw-fan shroud, (2)                              |
| 59A     | 240346501  |   |   |   |   |   | Bracket-support, cond mtr, (3)                     |
| 59B     | 240346601  |   |   |   |   |   | Grommet-bracket, (3)                               |
| 60      | 241584301  |   |   |   |   |   | Motor-condenser fan                                |
| 61      | 241639501  |   |   |   |   |   | Blade-condenser fan                                |
| 62      | 240429402  |   |   |   |   |   | Trough-drain                                       |
| 70      | 218990801  |   |   |   |   |   | Bracket-evap/cvr mtg                               |
| 82      | 5304418225 |   |   |   |   |   | Roller, compressor base, rear, (2)                 |
| 83      | 5304455655 |   |   |   |   |   | Rivet, flat head, 1/4 OD x 1-3/4, roller pin       |
| 84      | 241957901  |   |   |   |   |   | Tube-drain, lower                                  |
| 85      | 241856901  |   |   |   |   |   | Tube-connector, suction                            |
| 86      | 240409302  |   |   |   |   |   | Spacer-cond tube, black                            |
| *       | 5303918222 |   |   |   |   |   | Hot Tube Repair Kit, service                       |
| * #     | 5303918328 |   |   |   |   |   | Heat Exchanger Kit, suction line, service          |



---

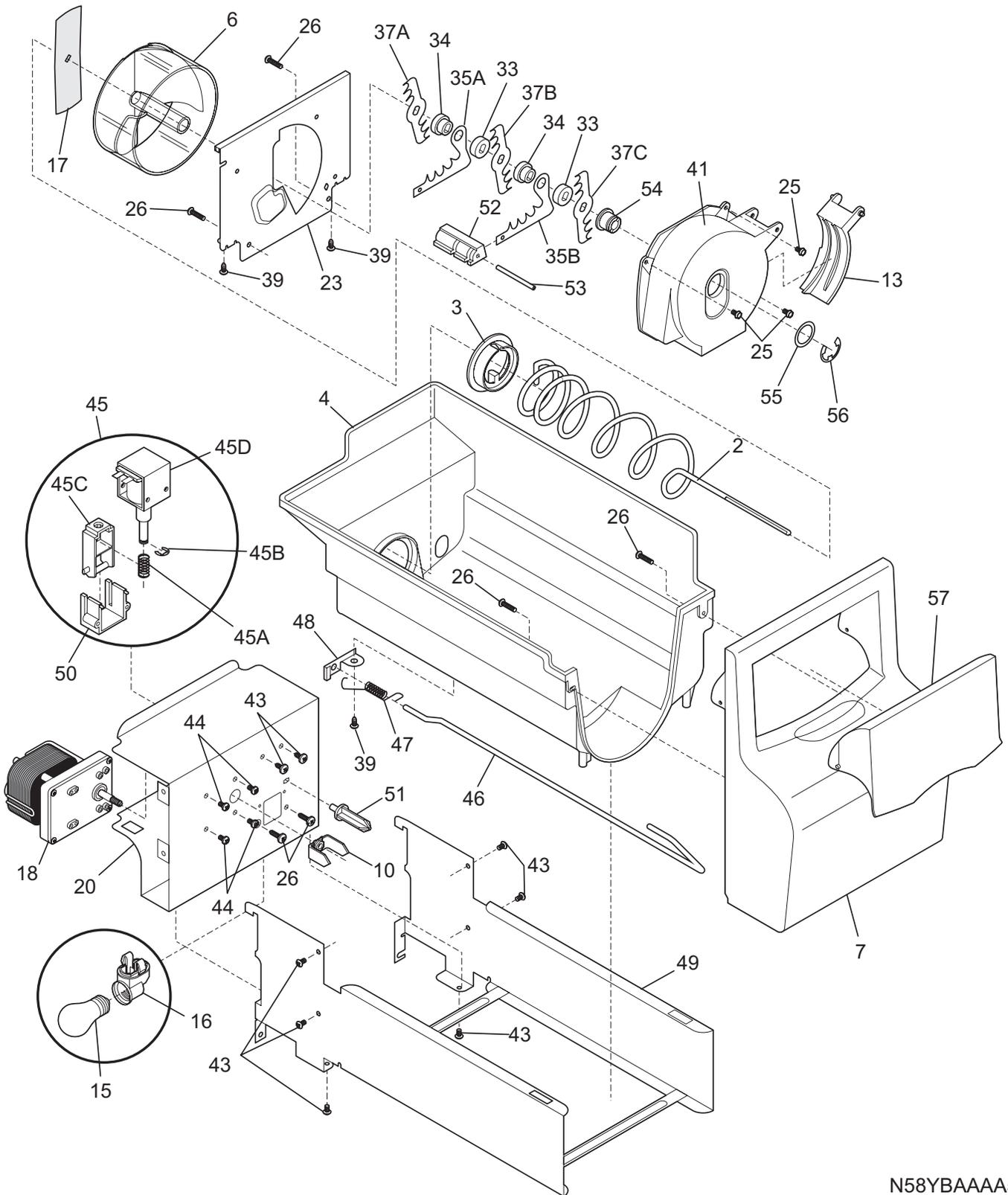
**ICE & WATER DISPENSER**


---

Model Index: A FRS6HF55K (FRS6HF55KB0)  
 B FRS6HF55K (FRS6HF55KM0)  
 C FRS6HF55K (FRS6HF55KQ0)  
 D FRS6HF55K (FRS6HF55KS0)  
 E FRS6HF55K (FRS6HF55KW0)

| POS. NO | PART NO.   | A | B | C | D | E | DESCRIPTION                                 |
|---------|------------|---|---|---|---|---|---|
| 1       | 218976409  |   |   |   |   |   | Tube, water, door                           |
| 1*      | 218976418  |   |   |   |   |   | Tube-water inlet, inlet valve, to filter    |
| 1*      | 218976419  |   |   |   |   |   | Tube-water inlet, valve to door             |
| 1*      | 218976915  |   |   |   |   |   | Tube-water inlet, inlet valve, to filter    |
| 1*      | 240561701  |   |   |   |   |   | Seal-water inlet, inlet valve, to ice maker |
| 4       | 241678703  |   |   |   |   |   | Cover-module, black                         |
| 4       | 241678702  |   |   |   |   |   | Cover-module, bisque                        |
| 4       | 241678701  |   |   |   |   |   | Cover-module, white                         |
| 8       | 241680507  |   |   |   |   |   | Module-dispenser                            |
| 8       | 241680506  |   |   |   |   |   | Module-dispenser                            |
| 8       | 241680505  |   |   |   |   |   | Module-dispenser                            |
| 10      | 241688901  |   |   |   |   |   | Spring-torsion                              |
| 14      | 240323998  |   |   |   |   |   | Label-module cover, black                   |
| 14      | 241611208  |   |   |   |   |   | Label-module cover, bisque                  |
| 14      | 241611207  |   |   |   |   |   | Label-module cover, white                   |
| 15      | 241689401  |   |   |   |   |   | Light Bulb                                  |
| 16      | 240548901  |   |   |   |   |   | Socket-light                                |
| 17      | 241679801  |   |   |   |   |   | Screw                                       |
| 23      | 241649003  |   |   |   |   |   | Drip Tray, black                            |
| 23      | 241649002  |   |   |   |   |   | Drip Tray, bisque                           |
| 23      | 241649001  |   |   |   |   |   | Drip Tray, white                            |
| 24      | 241682003  |   |   |   |   |   | Actuator-water, black                       |
| 24      | 241682002  |   |   |   |   |   | Actuator-water, bisque                      |
| 24      | 241682001  |   |   |   |   |   | Actuator-water, white                       |
| 24A     | 241681903  |   |   |   |   |   | Actuator-ice, black                         |
| 24A     | 241681902  |   |   |   |   |   | Actuator-ice, bisque                        |
| 24A     | 241681901  |   |   |   |   |   | Actuator-ice, white                         |
| 30      | 241688401  |   |   |   |   |   | Door Assy-ice chute                         |
| 30A     | 241688501  |   |   |   |   |   | Door center                                 |
| 30B     | 241688601  |   |   |   |   |   | Insulation-door                             |
| 30C     | 241688701  |   |   |   |   |   | Door seal                                   |
| 35      | 241689301  |   |   |   |   |   | Damper-rotary                               |
| 36      | 241680301  |   |   |   |   |   | Carrier                                     |
| 38 #    | 241708202  |   |   |   |   |   | Board-power                                 |
| 38A#    | 241689101  |   |   |   |   |   | Switch-micro, single pole, double throw     |
| 38C#    | 241708309  |   |   |   |   |   | Board-control                               |
| 38C*    | 241680001  |   |   |   |   |   | Harness-ribbon cable                        |
| 39      | 241688801  |   |   |   |   |   | Pin-hinge                                   |
| 41      | 241689001  |   |   |   |   |   | Spring-actuator                             |
| 43      | 215296301  |   |   |   |   |   | Screw, plask h/l, #6 x 3/8                  |
| 56      | 241689201  |   |   |   |   |   | Screw-micro switch, pan head                |
| 82      | 240363402  |   |   |   |   |   | Screw-#8-18 X 1/2, #6 hd plask              |
| 87      | 241688302  |   |   |   |   |   | Bearing Plate                               |
| 87A     | 241688301  |   |   |   |   |   | Bearing Plate                               |
| 88      | 241686101  |   |   |   |   |   | Shield-light                                |
| 90      | 241680201  |   |   |   |   |   | Light Pipe, reflector, long                 |
| 91      | 241680101  |   |   |   |   |   | Light Pipe, reflector, short                |
| *       | 218515403  |   |   |   |   |   | Clip-grille                                 |
| *       | 241686201  |   |   |   |   |   | Insulator-electrical                        |
| *       | 5303918256 |   |   |   |   |   | Dispenser heater kit                        |

ICE CONTAINER



N58YBAAA5

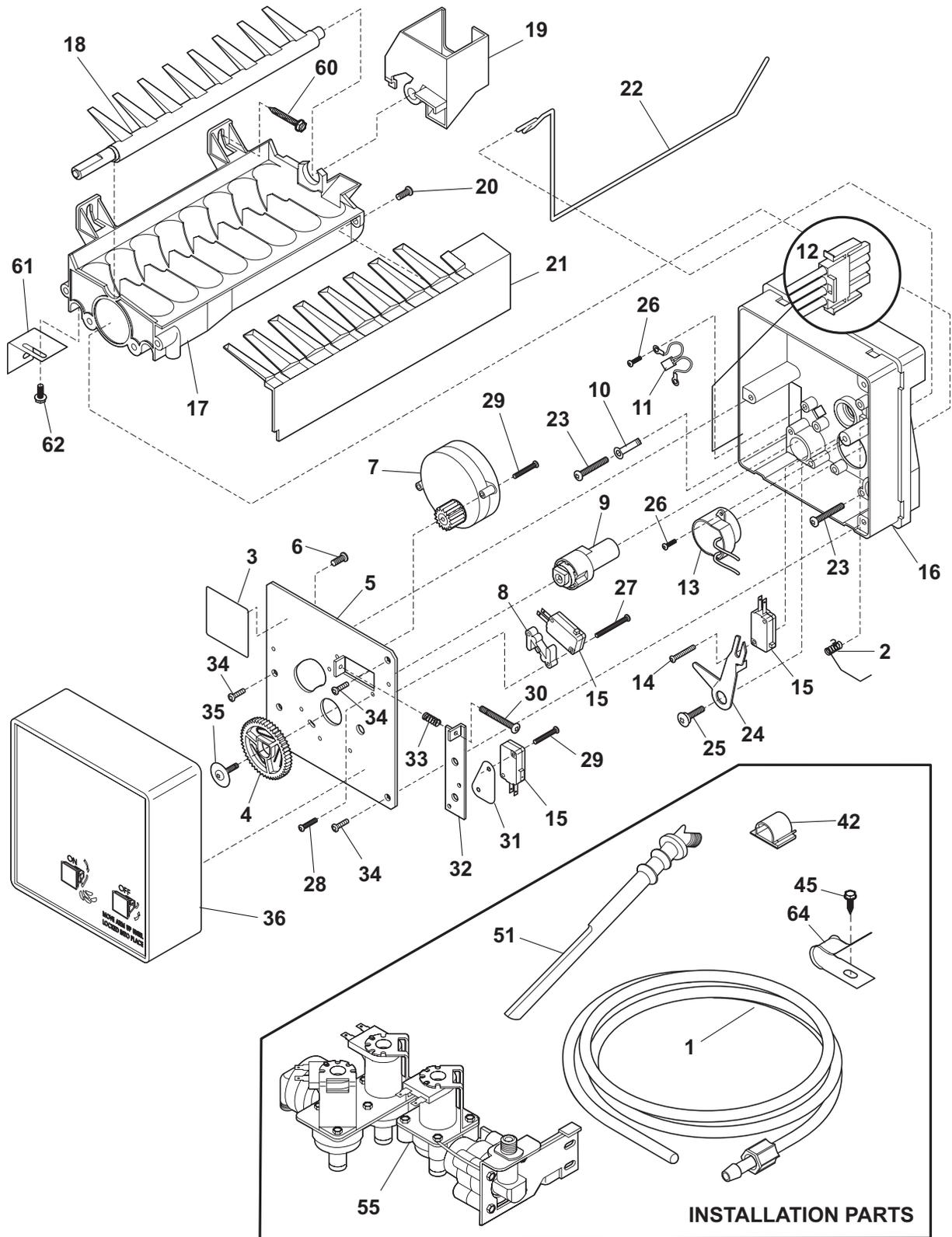


## ICE CONTAINER

Model Index: A FRS6HF55K (FRS6HF55KB0)  
 B FRS6HF55K (FRS6HF55KM0)  
 C FRS6HF55K (FRS6HF55KQ0)  
 D FRS6HF55K (FRS6HF55KS0)  
 E FRS6HF55K (FRS6HF55KW0)

| POS. NO | PART NO.  | A | B | C | D | E | DESCRIPTION                           |
|---------|-----------|---|---|---|---|---|---------------------------------------|
| 2       | 241716101 |   |   |   |   |   | Auger-ice                             |
| 3       | 241685201 |   |   |   |   |   | Cam-drive                             |
| 4       | 241734001 |   |   |   |   |   | Container-ice, bucket only            |
| 6       | 241685101 |   |   |   |   |   | Drum-ice disp                         |
| 7       | 241734201 |   |   |   |   |   | Front-ice container                   |
| 10      | 241726501 |   |   |   |   |   | Bar-drive                             |
| 13      | 241685301 |   |   |   |   |   | Gate                                  |
| 15      | 241555401 |   |   |   |   |   | Light Bulb                            |
| 16      | 241559801 |   |   |   |   |   | Socket-light                          |
| 17      | 241684501 |   |   |   |   |   | Drive Blade                           |
| 18 #    | 241676201 |   |   |   |   |   | Motor-auger                           |
| 18*     | 241578401 |   |   |   |   |   | Wiring Harness, auger motor           |
| 20      | 241734902 |   |   |   |   |   | Cover, motor                          |
| 23      | 241684001 |   |   |   |   |   | Plate-front                           |
| 25      | 241690701 |   |   |   |   |   | Screw, hex washer head, 8-32T x 0.375 |
| 26      | 215503203 |   |   |   |   |   | Screw, cr pan hd, 10-16 x 0.500       |
| 33      | 241684801 |   |   |   |   |   | Spacer                                |
| 34      | 241689801 |   |   |   |   |   | Spacer                                |
| 35A     | 241684301 |   |   |   |   |   | Fixed Blade, round                    |
| 35B     | 241684201 |   |   |   |   |   | Fixed Blade, square                   |
| 37A     | 241684101 |   |   |   |   |   | Blade, crusher #1                     |
| 37B     | 241684102 |   |   |   |   |   | Blade, crusher #2                     |
| 37C     | 241684103 |   |   |   |   |   | Blade, crusher #3                     |
| 39      | 241690501 |   |   |   |   |   | Screw                                 |
| 41      | 241685601 |   |   |   |   |   | Housing-crusher                       |
| 43      | 218359202 |   |   |   |   |   | Screw, pan head, 8-32 x 0.250         |
| 44      | 241842101 |   |   |   |   |   | Screw, 8-32 x 1/4                     |
| 45 #    | 241675701 |   |   |   |   |   | Solenoid Assy, 115V                   |
| 45A     | 241675901 |   |   |   |   |   | Spring-solenoid                       |
| 45B     | 241676001 |   |   |   |   |   | E-Ring-solenoid                       |
| 45C     | 241676101 |   |   |   |   |   | Actuator-solenoid                     |
| 45D#    | 241675801 |   |   |   |   |   | Solenoid, 115V                        |
| 46      | 241716002 |   |   |   |   |   | Control Rod                           |
| 47      | 241731801 |   |   |   |   |   | Spring-control rod                    |
| 48      | 241684602 |   |   |   |   |   | Bracket-control rod                   |
| 49      | 241734501 |   |   |   |   |   | Rail Assy                             |
| 50      | 241675601 |   |   |   |   |   | Guide-solenoid                        |
| 51      | 241676301 |   |   |   |   |   | Rotation Stop                         |
| 52      | 241684901 |   |   |   |   |   | Spacer-fixed blades                   |
| 53      | 241690402 |   |   |   |   |   | Pin-spiral, fixed blades              |
| 54      | 241685001 |   |   |   |   |   | Nut-auger                             |
| 55      | 241690306 |   |   |   |   |   | Washer                                |
| 56      | 241690201 |   |   |   |   |   | E-ring                                |
| 57      | 241734101 |   |   |   |   |   | Door-access                           |
| *       | 240507202 |   |   |   |   |   | Deflector-ice container               |
| *       | 241860803 |   |   |   |   |   | Ice Container Assy, w/moving parts    |

ICE MAKER



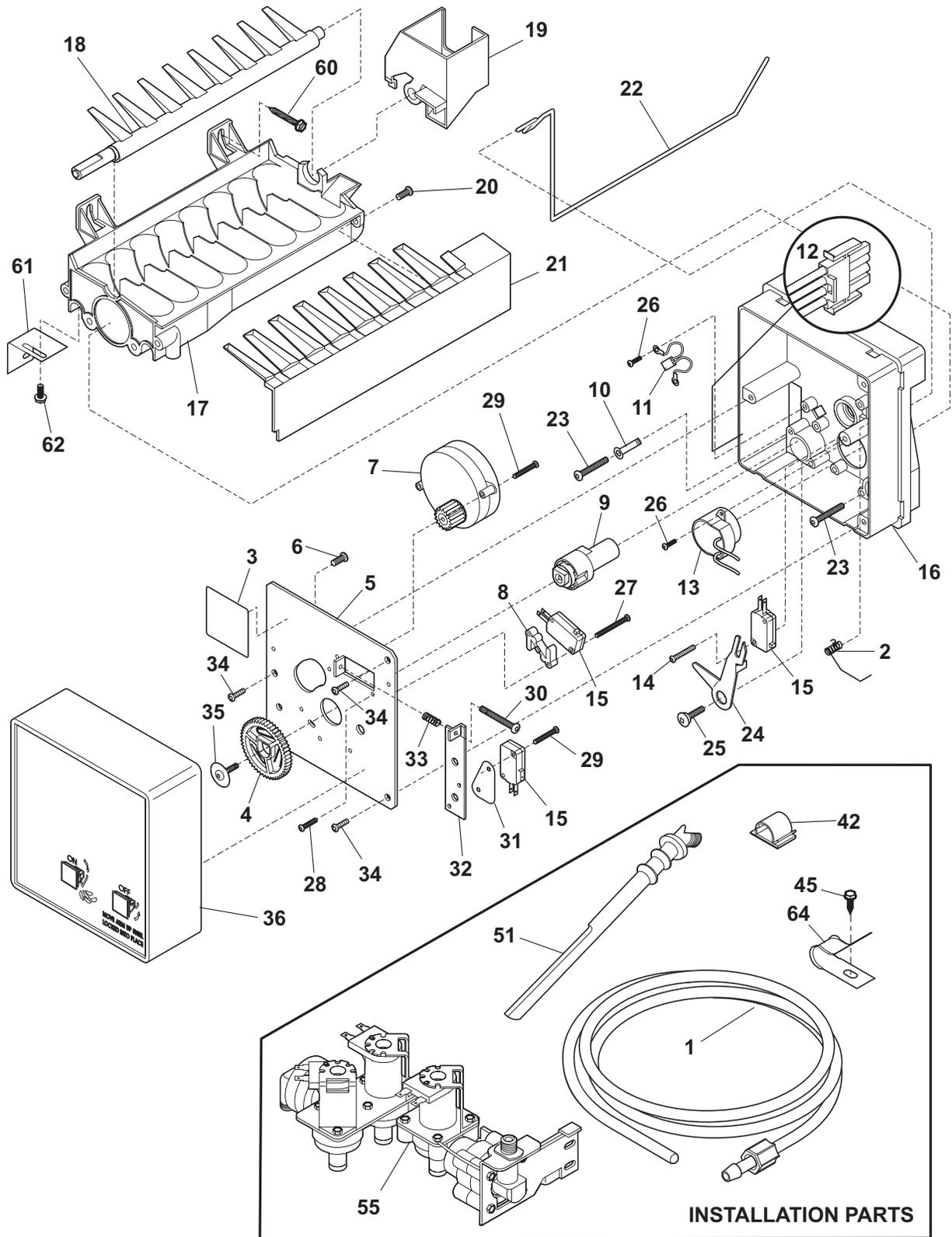
N581151-1

## ICE MAKER

Model Index: A FRS6HF55K (FRS6HF55KB0)  
 B FRS6HF55K (FRS6HF55KM0)  
 C FRS6HF55K (FRS6HF55KQ0)  
 D FRS6HF55K (FRS6HF55KS0)  
 E FRS6HF55K (FRS6HF55KW0)

| POS. NO | PART NO.   | A | B | C | D | E | DESCRIPTION  |
|---------|------------|---|---|---|---|---|--|
| 1       | 218976409  | A | B | C | D | E | Tube, water, door                                  |
| 1*      | 218976418  | A | B | C | D | E | Tube-water inlet, inlet valve, to filter           |
| 1*      | 218976419  | A | B | C | D | E | Tube-water inlet, valve to door                    |
| 1*      | 218976915  | A | B | C | D | E | Tube-water inlet, inlet valve, to filter           |
| 1*      | 240561701  | A | B | C | D | E | Seal-water inlet, inlet valve, to ice maker        |
| 2       | 5304456650 | A | B | C | D | E | Spring-shutoff arm, ice maker                      |
| 3       | 5304456657 | A | B | C | D | E | Nameplate  |
| 4       | 5304456658 | A | B | C | D | E | Gear   |
| 5       | 5304456659 | A | B | C | D | E | Plate-mounting                                     |
| 6       | 5304456691 | A | B | C | D | E | Screw, M 3x20 #3, valve plate                      |
| 7 #     | 5304445222 | A | B | C | D | E | Motor-ice maker Svo                                |
| 7*      | 5304445223 | A | B | C | D | E | Spring Beam  |
| 8       | 5304456661 | A | B | C | D | E | Spacer-hold switch                                 |
| 9       | 5304456662 | A | B | C | D | E | Cam  |
| 10      | 5304456689 | A | B | C | D | E | Washer, nylon                                      |
| 11 #    | 5304456663 | A | B | C | D | E | Thermal Cutoff, ice maker, complete assy           |
| 12      | 5304456664 | A | B | C | D | E | Harness-wiring                                     |
| 13      | 5304456665 | A | B | C | D | E | Thermostat, ice maker                              |
| 14      | 5304455676 | A | B | C | D | E | Screw, plask, 4x14x3/4                             |
| 15 #    | 5304456667 | A | B | C | D | E | Switch-micro, (3)                                  |
| 16      | 5304456668 | A | B | C | D | E | Support  |
| 17      | 5304456669 | A | B | C | D | E | Mold-ice maker, w/therm cut off                    |
| 18      | 5304456670 | A | B | C | D | E | Ejector-ice  |
| 18*     | 241578401  | A | B | C | D | E | Wiring Harness, auger motor                        |
| 19      | 5304456671 | A | B | C | D | E | Bearing & Inlet, fill cup                          |
| 20      | 5304455677 | A | B | C | D | E | Screw, 8-32 x 3/8                                  |
| 21      | 5304456672 | A | B | C | D | E | Ice Stripper                                       |
| 22      | 5304456673 | A | B | C | D | E | Shut-off Arm                                       |
| 23      | 5304456674 | A | B | C | D | E | Screw, M 4x25 #2, mold-to-support, (2)             |
| 24      | 5304456675 | A | B | C | D | E | Lever Arm  |
| 25      | 5304456676 | A | B | C | D | E | Screw, M 4x12.8 #2, lever arm/sprt                 |
| 26      | 5304455680 | A | B | C | D | E | Screw, plask, 4-14 x 3/8                           |
| 27      | 5304456677 | A | B | C | D | E | Screw, M 3x25 #3, hold switch mtg, (2)             |
| 28      | 5304456660 | A | B | C | D | E | Screw, M 4x6 #2                                    |
| 29      | 5304456678 | A | B | C | D | E | Screw, M 3x12 #3, (2)                              |
| 30      | 5304456679 | A | B | C | D | E | Screw-timing adj, M 4x25 #3                        |
| 31      | 5304456680 | A | B | C | D | E | Insulator  |
| 32      | 5304456681 | A | B | C | D | E | Plate-valve switch                                 |
| 33      | 5304456682 | A | B | C | D | E | Spring, timing adjust                              |
| 34      | 5304456683 | A | B | C | D | E | Screw, M 4x12 #2, (3)                              |
| 35      | 5304456684 | A | B | C | D | E | Screw  |
| 36      | 5304456685 | A | B | C | D | E | Cover-ice maker                                    |
| 36*     | 5304456690 | A | B | C | D | E | Label, ID plate                                    |
| 42      | 218515403  | A | B | C | D | E | Clip-grille  |
| 45      | 5304455650 | A | B | C | D | E | Screw, hex washer head, 8-15A x 0.625, low profile |
| 51      | 241796401  | A | B | C | D | E | Tube-water fill, extension                         |

ICE MAKER



N581151-1

---

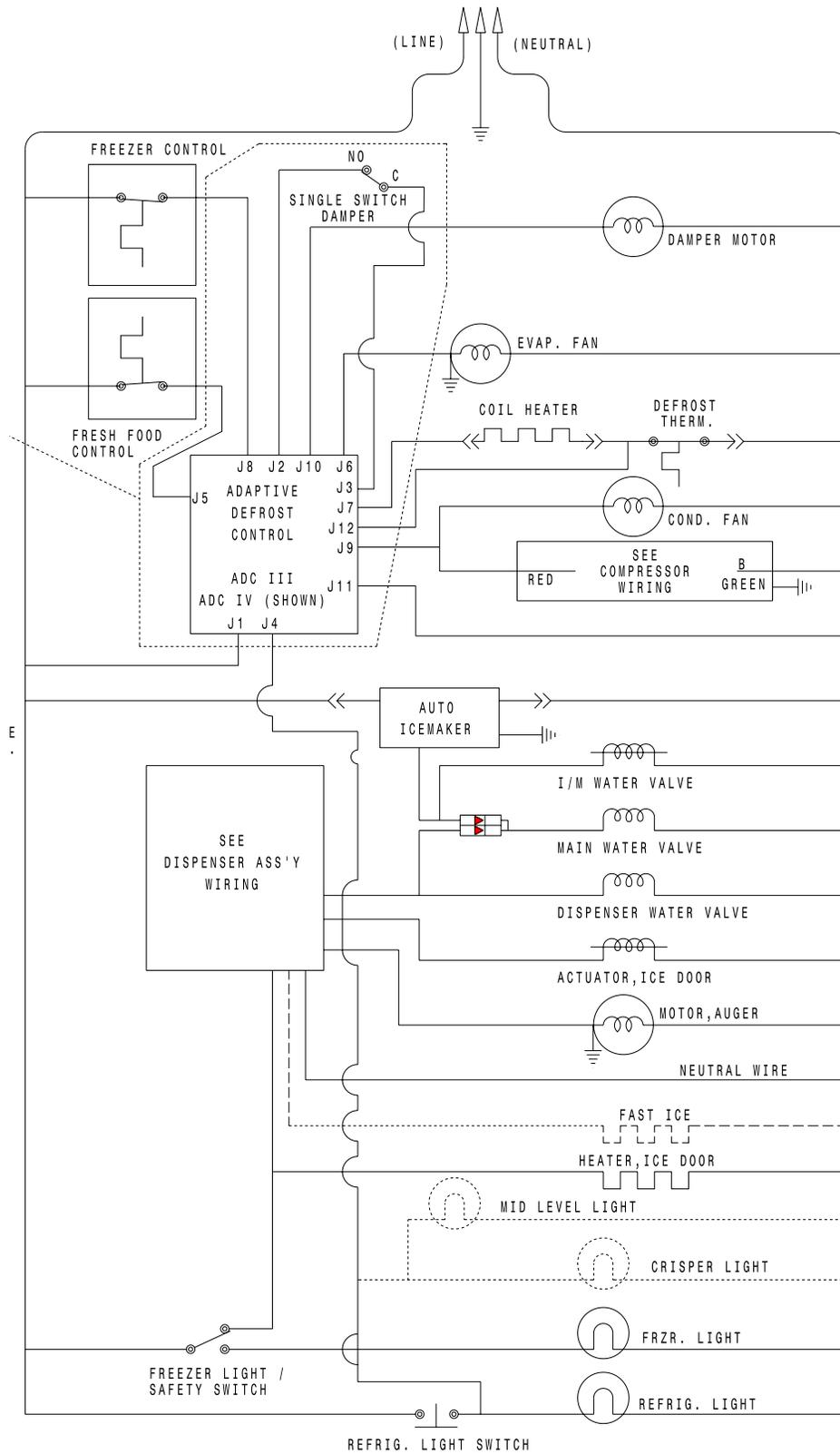
**ICE MAKER**


---

*Model Index:* A FRS6HF55K (FRS6HF55KB0)  
 B FRS6HF55K (FRS6HF55KM0)  
 C FRS6HF55K (FRS6HF55KQ0)  
 D FRS6HF55K (FRS6HF55KS0)  
 E FRS6HF55K (FRS6HF55KW0)

| POS. NO | PART NO.   |   |   |   |   |   | DESCRIPTION                                       |
|---------|------------|---|---|---|---|---|---|
| 55 #    | 241734301  | A | B | C | D | E | Valve-water, triple solenoid                      |
| 55*     | 218709101  | A | B | C | D | E | Screw, hex head, 10-32 x 0.500                    |
| 55*     | 240363602  | A | B | C | D | E | Screw-shoulder                                    |
| 55*     | 240542901  | A | B | C | D | E | Cap-water valve                                   |
| 60      | 5303207328 | A | B | C | D | E | Screw, hex washer head, 8-15A x 1.000, (2)        |
| 61      | 5304456686 | A | B | C | D | E | Bracket-leveling, ice maker                       |
| 62      | 5304456687 | A | B | C | D | E | Screw-IM brkt mtg, pan hd phillips, 8-32T x 0.375 |
| 64      | 5303001549 | A | B | C | D | E | Clamp, 0.31 ID, steel, copper wtr line            |
| *       | 241642501  | A | B | C | D | E | Ice Maker, radius cube, 115 V, Svce               |
| *       | 241642601  | A | B | C | D | E | Harness-wiring Svo                                |
| *       | 241806601  | A | B | C | D | E | Connector-water, straight                         |
| *       | 5304456666 | A | B | C | D | E | Screw, M 3x20 #2, (6)                             |
| *       | 5304456688 | A | B | C | D | E | Terminal  |
| *       | 5304456692 | A | B | C | D | E | Washer  |
| *       | 5304456693 | A | B | C | D | E | Nut, M 3.5  |
| *       | 5304456737 | A | B | C | D | E | Washer  |

### WIRING SCHEMATIC



WIRING DIAGRAM

