

Frigidaire

Factory Parts Catalog

Product No.	FGHS2334KB1	FGHS2334KW1	FGHS2344KF1
Series	Gallery	Gallery	Gallery
Color	black	white	stainless
Volts	115	115	115
Wiring Diagram	241912901	241912901	241912901
Owner's Guide	241979200	241979200	241979200
Market	North America	North America	North America
Energy Guide	241935576	241935576	241935577
Service Data Sheet	240389638	240389638	240389638



Electrolux Major Appliances
 North & Latin America
 P.O. BOX 212378
 AUGUSTA, GA 30917

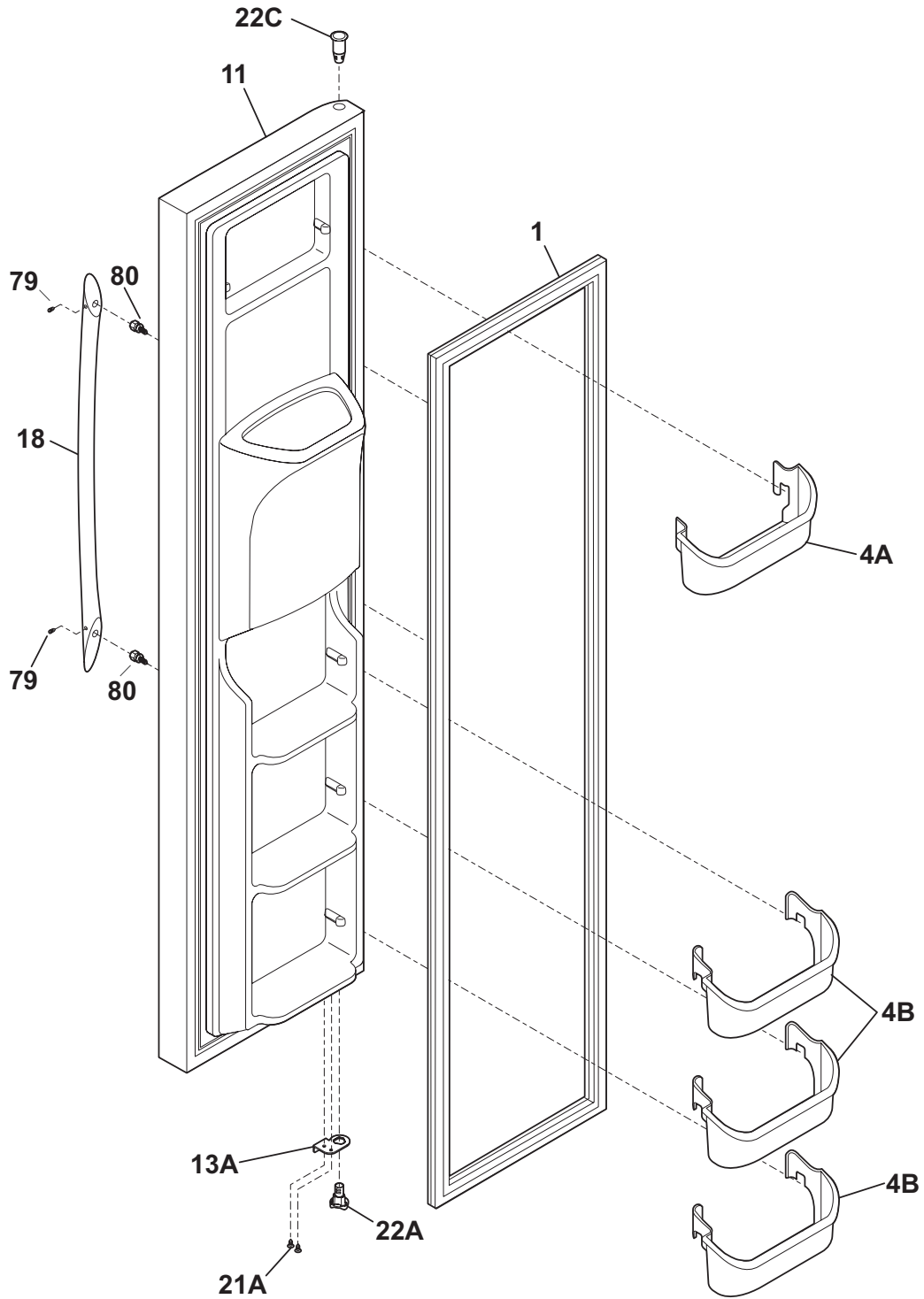
Publication No.
5995538302
 09/04/16
 (EN/SERVICE/KHB)
 137

**SIDE-BY-SIDE
 REFRIGERATOR**

Model No.
 FGHS2334K /
 FGHS2344K

Copyright © 2009 Electrolux Home Products, Inc.
 All rights reserved.

FREEZER DOOR



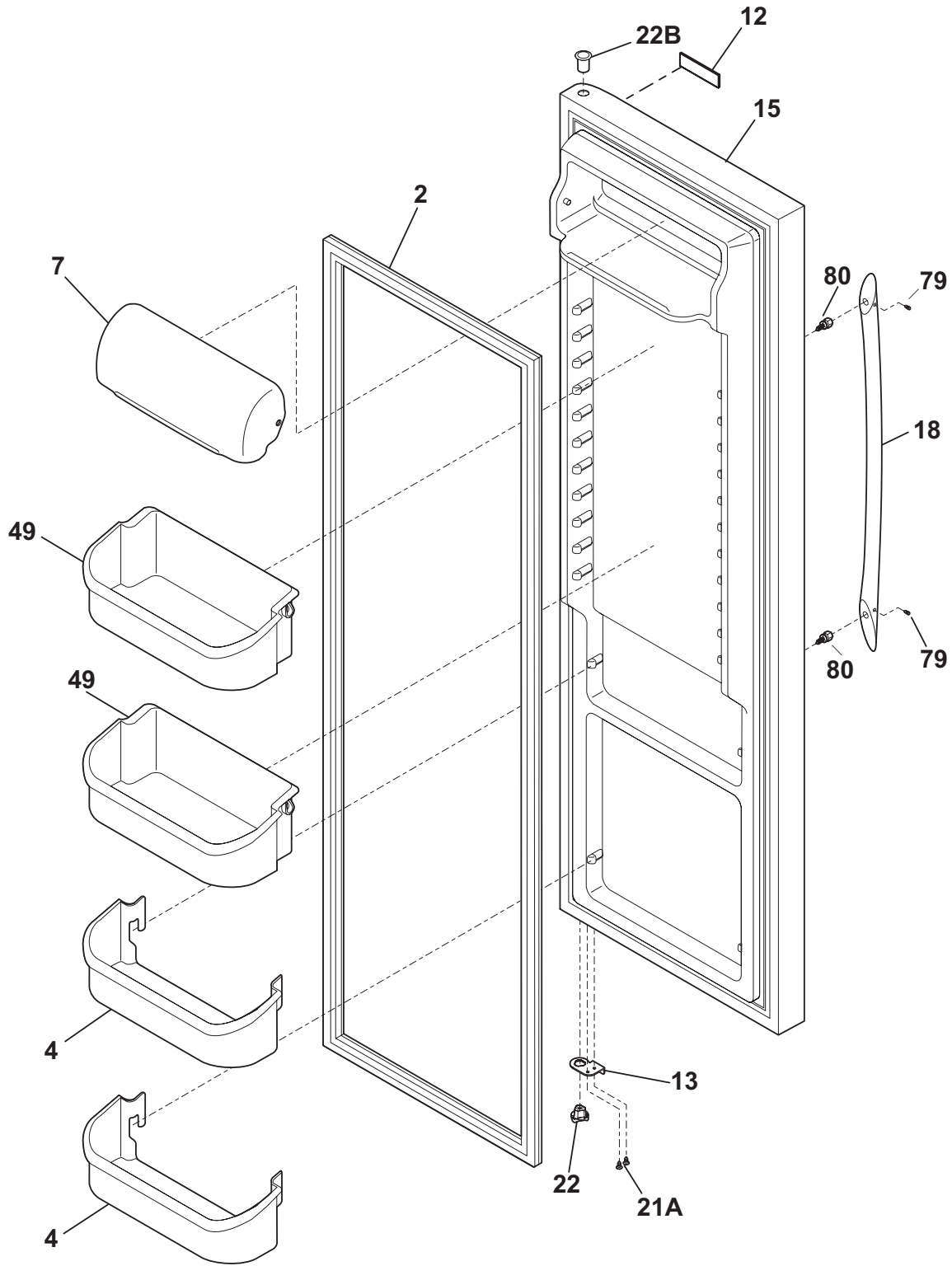
F58FFDEAA0

FREEZER DOOR

Model Index: A FGHS2334K (FGHS2334KB1)
 B FGHS2334K (FGHS2334KW1)
 C FGHS2344K (FGHS2344KF1)

POS. NO	PART NO.		DESCRIPTION
1	241786008	A - C	Gasket-frzr door, black, magnetic
1	241786004	- B -	Gasket-frzr door, white, magnetic
4A	240367301	A B C	Bin-door, frzr-upper
4B	240359001	A B C	Bin-door
11	241837197	A - -	Door-frzr, black, complete assy
11	241837183	- B -	Door-frzr, white, complete assy
11	241837198	- - C	Door-frzr, stainless, complete assy
13A	241942604	A B C	Door Stop, black, frzr
18	241930103	A - -	Handle-door, black
18	241930102	- B -	Handle-door, white
18	241930101	- - C	Handle-door, stainless
18*	241601002	A B C	Wrench, allen
21A	240442706	A B C	Screw-#10-32 X 3/4, zinc
22A	241990302	A B C	Bearing-hinge(frz), closer
22C	241760402	A - -	Bearing, hinge, top
22C	241760401	- B C	Bearing, hinge, top
79	218755405	A B C	Screw-set, 10-32 x 0.650
80	218755504	A B C	Screw-shoulder, #10 AB, handle mounting
* #	241834703	A B C	Harness-wiring, door
*	240352102	A B C	Connector-water, straight
*	240451503	A B C	Screw, ind hex wshr hd, 8-32 x 0.375, trilobe
*	5303918371	A B C	Dispenser heater kit, 115

REFRIGERATOR DOOR



N58RFDAAB4

REFRIGERATOR DOOR

Model Index: A FGHS2334K (FGHS2334KB1)
 B FGHS2334K (FGHS2334KW1)
 C FGHS2344K (FGHS2344KF1)

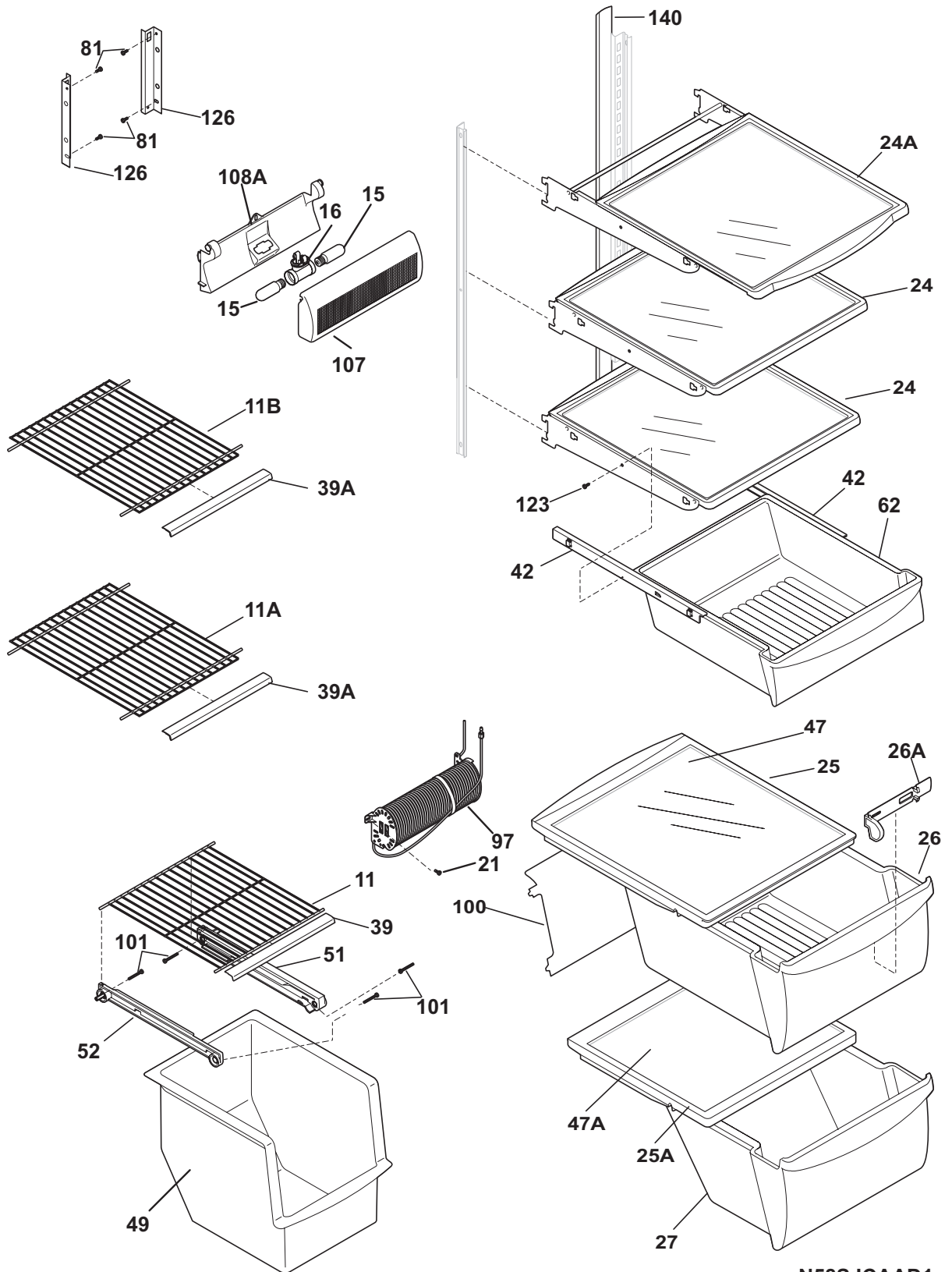
POS. NO	PART NO.		DESCRIPTION
2	241786007	A - C	Gasket-refr door, black, magnetic
2	241786003	- B -	Gasket-refr door, white, magnetic
4	240363701	A B C	Bin-door, 2-liter
7	240338303	A B C	Door, dairy, clear
12	242015201	A B C	Label-nameplate
13	241942603	A B C	Door Stop, black, ref
15	241837274	A - -	Door-refr, black, complete assy
15	241837265	- B -	Door-refr, white, complete assy
15	241837275	- - C	Door-refr, stainless, complete assy
18	241930103	A - -	Handle-door, black
18	241930102	- B -	Handle-door, white
18	241930101	- - C	Handle-door, stainless
18*	241601002	A B C	Wrench, allen
21A	240442706	A B C	Screw-#10-32 X 3/4, zinc
22	241990301	A B C	Bearing-hinge, gray
22B	241760404	A - -	Bearing, hinge, top
22B	241760403	- B C	Bearing, hinge, top
49	240324502	A B C	Bin-door, gallon
79	218755405	A B C	Screw-set, 10-32 x 0.650
80	218755504	A B C	Screw-shoulder, #10 AB, handle mounting

CABINET

Model Index: A FGHS2334K (FGHS2334KB1)
 B FGHS2334K (FGHS2334KW1)
 C FGHS2344K (FGHS2344KF1)

POS. NO	PART NO.		DESCRIPTION
10	240435911	A B C	Cover-air duct
10A	241719710	A B C	Cover-evap coil, lower
11	5303208309	A B C	Plug-hole, factory test
14A#	241547901	A B C	Switch-light/lamp, frzr door
21C	218252201	A B C	Screw, #8 truss hd, 10-32CA x 0.500
21D	241548003	A B C	Screw, 10-32 x 3/8
22	241917801	A B C	Plate-door closer
28	240335502	A B C	Bolt-roller adj, hex washer head, 1/4-20 x 4.020, (2), special
30	241917901	A B C	Bracket-lower hinge, RH, w/hinge pin
30A	241917902	A B C	Bracket-lower hinge, LH, w/hinge pin
37	240337610	A - C	Trim-cabinet corner, black, (2)
37	240337608	- B -	Trim-cabinet corner, white, (2)
38	241761301	A B C	Bracket-upper hinge, RH
38A	241761302	A B C	Bracket-upper hinge, LH
40	241946705	A - C	Cover-upper hinge, black, RH
40	241946701	- B -	Cover-upper hinge, white
40*	241835801	A B C	Harness-wiring
40A	241946706	A - C	Cover-upper hinge, black, LH
40A	241946702	- B -	Cover-upper hinge, white, LH
40A*	241891901	A B C	Harness-wiring, freezer
41	241550801	A B C	Grommet-shelf mtg, 1.40" long
41*	241550701	A B C	Grommet-shelf mtg, .96" long
42	240578902	A B C	Screw, hex head, 1/4-20 x 5/8
43	240335006	A B C	Roller Assy, front, (2)
45	241500303	A B C	Screw, hex washer head, 8-18AB x 0.500
47	242001902	A B C	Channel-shelf mtg, side, LH
47A	242001901	A B C	Channel-shelf mtg, side, RH
50	242000406	A B C	Board-main power
50*	241867901	A B C	Harness-wiring
54	241532401	A B C	Channel
58	218781101	A B C	Screw, pan head, 8-18 x 0.625
72	241972903	A - -	Grille/Kickplate, black
72	241972901	- B -	Grille/Kickplate, white
72	241972905	- - C	Grille/Kickplate
81	5304455650	A B C	Screw, hex washer head, 8-15A x 0.625, low profile
82	5304418225	A B C	Roller, compressor base, rear, (2)
83	5304455655	A B C	Rivet, flat head, 1/4 OD x 1-3/4, roller pin
89	241733901	A B C	Cover-access, w/label
90	218249807	A B C	Seal-coil cover
91	240380101	A B C	Duct-ice maker
92	241710601	A B C	Screw, hex washer hd, 1/4 x 7/8, hinge mtg
93	241911704	A - C	Switch, plunger style
93	241911701	- B -	Switch, plunger style
100	240423701	A B C	Support, crisper cover, front, (4)
100*	240350802	A B C	Support, crisper cover, rear, (4)

SHELVES



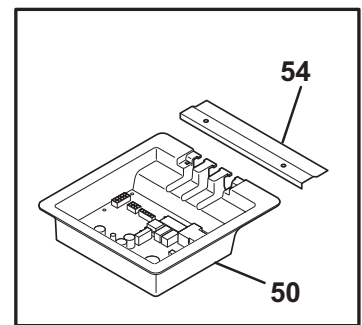
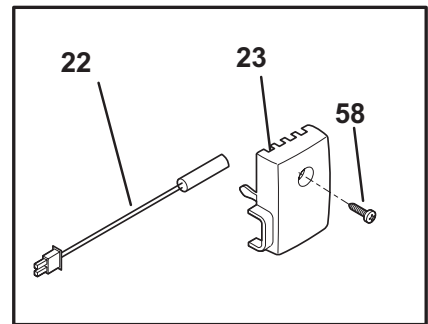
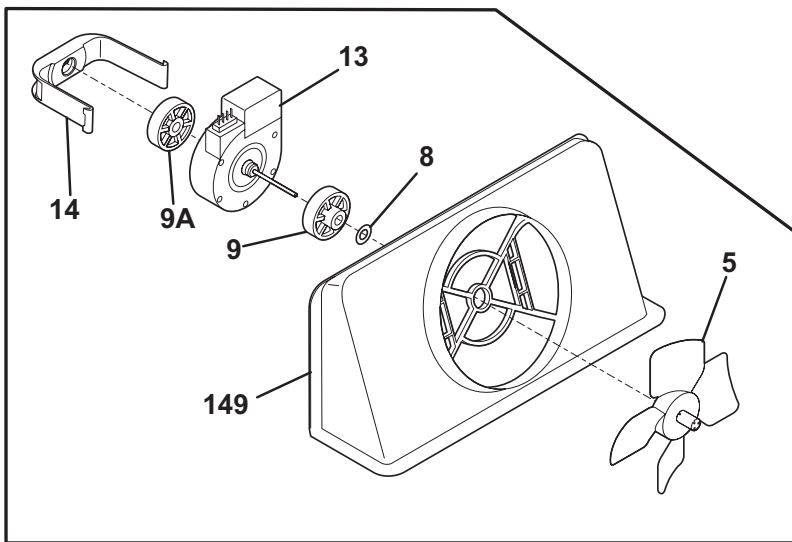
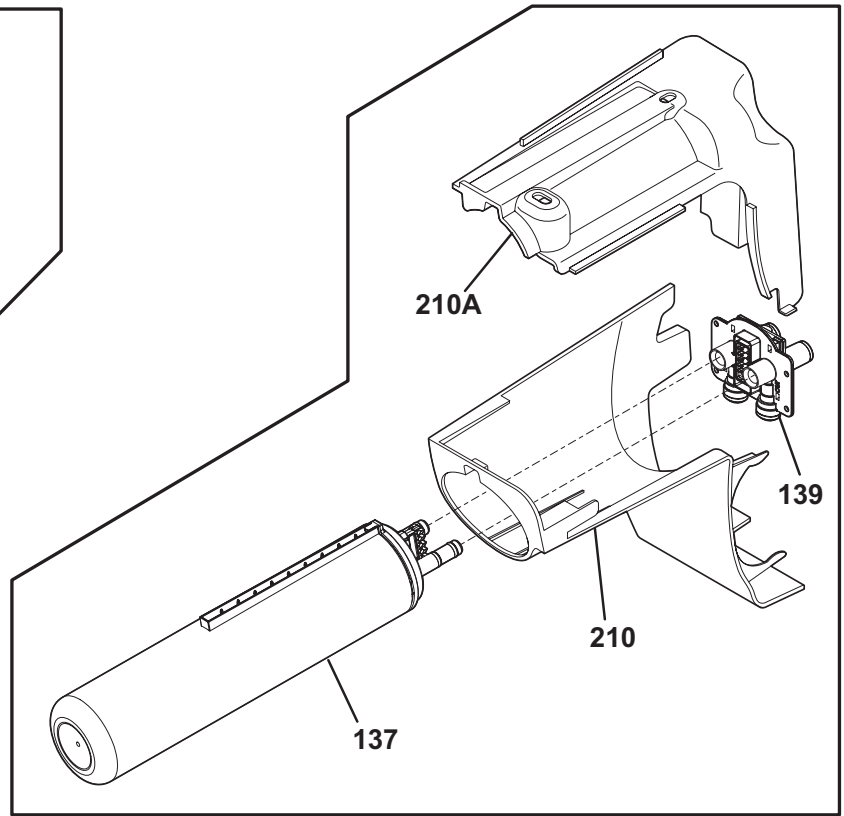
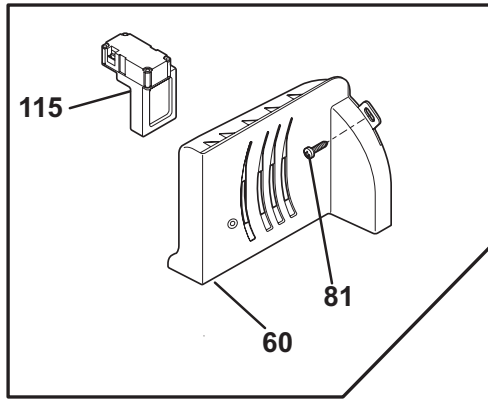
N58SJCAAD1

SHELVES

Model Index: A FGHS2334K (FGHS2334KB1)
 B FGHS2334K (FGHS2334KW1)
 C FGHS2344K (FGHS2344KF1)

POS. NO	PART NO.		DESCRIPTION
11	241657601	A B C	Shelf, flip up, wire
11A	241657501	A B C	Shelf, fixed, freezer
11B	241657503	A B C	Shelf, fixed upper, freezer
15	241552801	A B C	Light Bulb
16	241622802	A B C	Socket-light, frz light
16*	241987501	A B C	Harness-wiring
21	5304455658	A B C	Screw, hx wshr hd sems, 8-15A x 0.625
24	240355259	A B C	Shelf-"Spill-Safe", cantilever, fixed
24A	240350142	A B C	Shelf-"Spill-Safe", cantilever, sliding
25	241974201	A B C	Cover-crisper pan, upper
25*	240362101	A B C	Clip-slide, cover-crisper
25A	241974301	A B C	Cover-crisper pan, lower
26	240354723	A B C	Pan-crisper, upper
26*	240349801	A B C	Clip-slide, pan-crisper
26A	240351101	A B C	Control-humidity
27	240354828	A B C	Pan-crisper, lower
39	240430705	A B C	Trim-shelf, front
39A	240430701	A B C	Trim-shelf, front
42	240356501	A B C	Track, meat pan hanger, RH
42	240365401	A B C	Track, meat pan hanger, LH
47	241992910	A B C	Insert-pan cover, glass
47A	240350614	A B C	Insert-pan cover, glass
49	240564301	A B C	Basket-sliding
51	240343002	A B C	Hanger-basket, RH
52	240343102	A B C	Hanger-basket, LH
62	240355527	A B C	Pan-meat
81	5304455650	A B C	Screw, hex washer head, 8-15A x 0.625, low profile
97	241532007	A B C	Water Tank
100	240326303	A B C	Cover-water tank
101	218493101	A B C	Screw, hex washer head, 8-18AB x 1-3/4
107	241753501	A B C	Shield-light, refr
108A	241753701	A B C	Housing-light, upper, fresh food
123	215005101	A B C	Screw, hanger/rlr mtg, 8-10 x 7/16
126	241674401	A B C	Channel, auger mtg, LH
126	241674402	A B C	Channel, auger mtg, RH
140	241812502	A B C	Channel, wtr tube cover
*	241935576	A B -	Energy Guide
*	241935577	- - C	Energy Guide

CONTROLS



F58TEACAE0

CONTROLS

Model Index: A FGHS2334K (FGHS2334KB1)
 B FGHS2334K (FGHS2334KW1)
 C FGHS2344K (FGHS2344KF1)

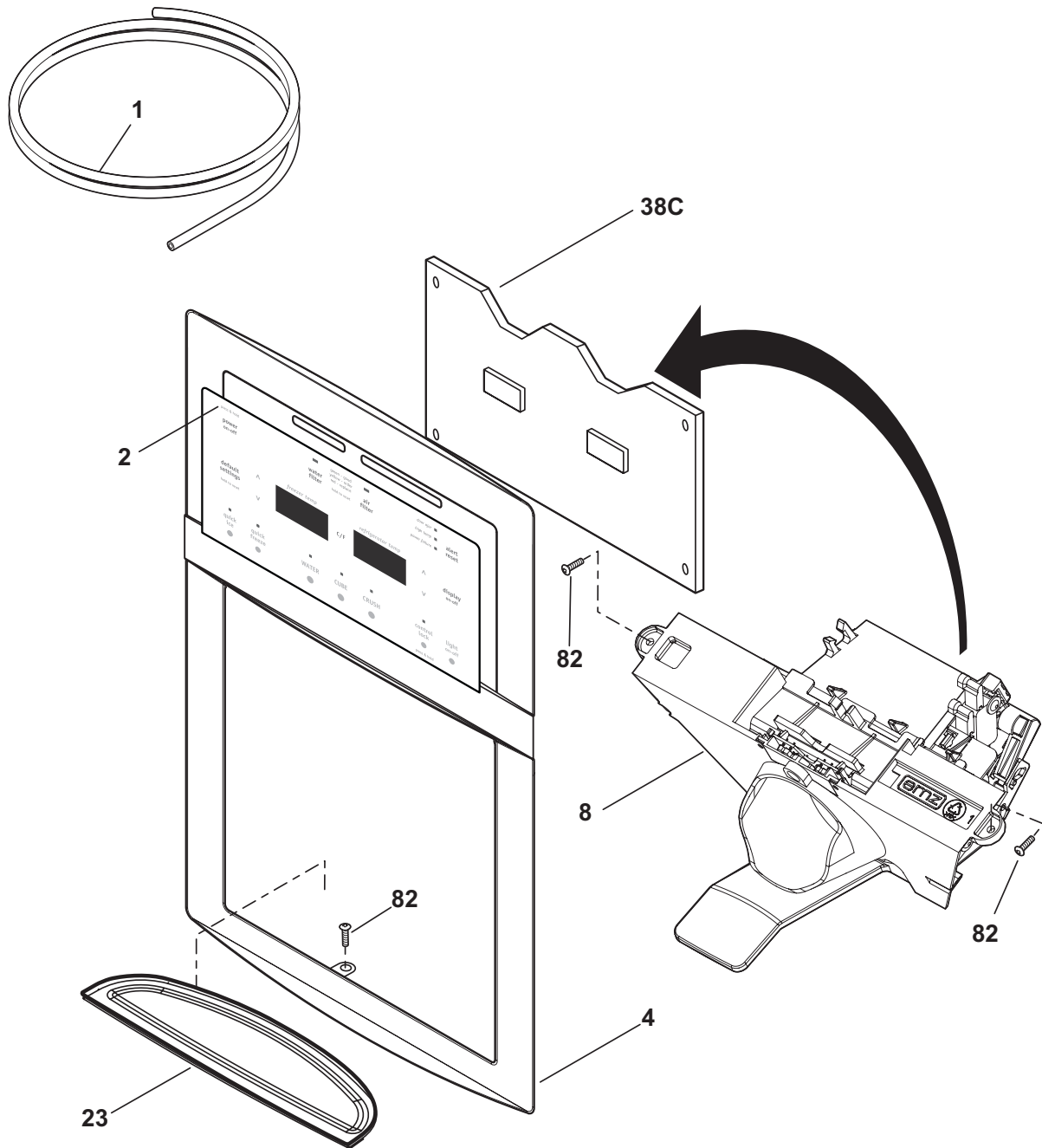
POS. NO	PART NO.		DESCRIPTION
5 #	5308000010	A B C	Fan Blade, red, evaporator fan
8	215474201	A B C	Washer, "slinger", nylon, evap fan shaft
9	241563601	A B C	Bushing-motor mtg
9A	241845301	A B C	Bushing-motor mtg
13	241509402	A B C	Motor, evaporator fan
14	241517701	A B C	Clip, evap fan motor
22	240597203	A B C	Sensor
23	241845401	A B C	Housing-sensor
50	242000406	A B C	Board-main power
50*	241867901	A B C	Harness-wiring
54	241532401	A B C	Channel
58	5304455650	A B C	Screw, hex washer head, 8-15A x 0.625, low profile
60	241794301	A B C	Diffuser-air
60*	241945101	A B C	Insulation-air duct
81	5304455658	A B C	Screw, hx wshr hd sems, 8-15A x 0.625
115	241853801	A B C	Damper Assy, w/seal
137	241791601	A B C	Filter-water, carbon
139	242009601	A B C	Base-water filter
149	241563401	A B C	Shroud-fan orifice
149*	241528305	A B C	Seal, shroud
210	241983801	A B C	Housing-water filtr
210A	241998301	A B C	Mount-water filter
*	3205266	A B C	Edge Protector, wiring harness
*	241852501	A B C	Clip, wiring harness

SYSTEM

Model Index: A FGHS2334K (FGHS2334KB1)
 B FGHS2334K (FGHS2334KW1)
 C FGHS2344K (FGHS2344KF1)

POS. NO	PART NO.		DESCRIPTION
1	240333602	A B C	Condenser
3	218679606	A B C	Block-evap coil, styrofoam, (2)
4 #	218944001	A B C	Drier-filter, R134a System
6 #	241516901	A B C	Cord-service
6* #	241834802	A B C	Harness-wiring, machine compt
6* #	241519902	A B C	Harness-wiring
14 #	240316107	A B C	Heater-defrost
15 #	5303918286	A B C	Evaporator Kit
16	5308000110	A B C	Strap-evap/heater, aluminum, (2)
21	5303918214	A B C	Thermostat-defrost, kit
22	240330010	A B C	Base-compressor
22*	218252201	A B C	Screw, #8 truss hd, 10-32CA x 0.500
23	241659701	A B C	Grommet, compressor
25	240491503	A B C	Screw-compressor mtg, 1/4-28 x 1.16, (4)
26	241697602	A B C	Pan-defrost
29 #	5303918359	A B C	Compressor, w/o electricals
30 #	241707712	A B C	Starter, PTC
32	241650901	A B C	Clamp, elec cont mtg, compressor
34	240405201	A B C	Grommet, rubber, black, cond tube/wire
41	240555002	A B C	Screw-#8-32 X 3/8
44	215174700	A B C	Clamp-service cord, strain relief, galv steel
45	5304455650	A B C	Screw, hex washer head, 8-15A x 0.625, low profile
55	218909913	A B C	Capacitor, run, 220 VAC, 15 microfarad
58	240569201	A B C	Screw, 8-18 x 0.500
59	240315506	A B C	Shroud, cond fan motor
59*	240346701	A B C	Tape-foam seal, shroud
59*	240359403	A B C	Screw-fan shroud, (2)
59A	240346501	A B C	Bracket-support, cond mtr, (3)
59B	240346601	A B C	Grommet-bracket, (3)
60	241584301	A B C	Motor-condenser fan
61	241639501	A B C	Blade-condenser fan
62	240429401	A B C	Trough-drain
70	218990801	A B C	Bracket-evap/cvr mtg
82	5304418225	A B C	Roller, compressor base, rear, (2)
83	5304455655	A B C	Rivet, flat head, 1/4 OD x 1-3/4, roller pin
84	241957901	A B C	Tube-drain, lower
85	241844801	A B C	Tube-connector, suction
86	240409302	A B C	Spacer-cond tube, black
*	241852501	A B C	Clip, wiring harness
* #	5303918328	A B C	Heat Exchanger Kit, suction line, service
*	5303918222	A B C	Hot Tube Repair Kit, service

ICE & WATER DISPENSER



F58XFCAA0

ICE & WATER DISPENSER

Model Index: **A** FGHS2334K (FGHS2334KB1)
 B FGHS2334K (FGHS2334KW1)
 C FGHS2344K (FGHS2344KF1)

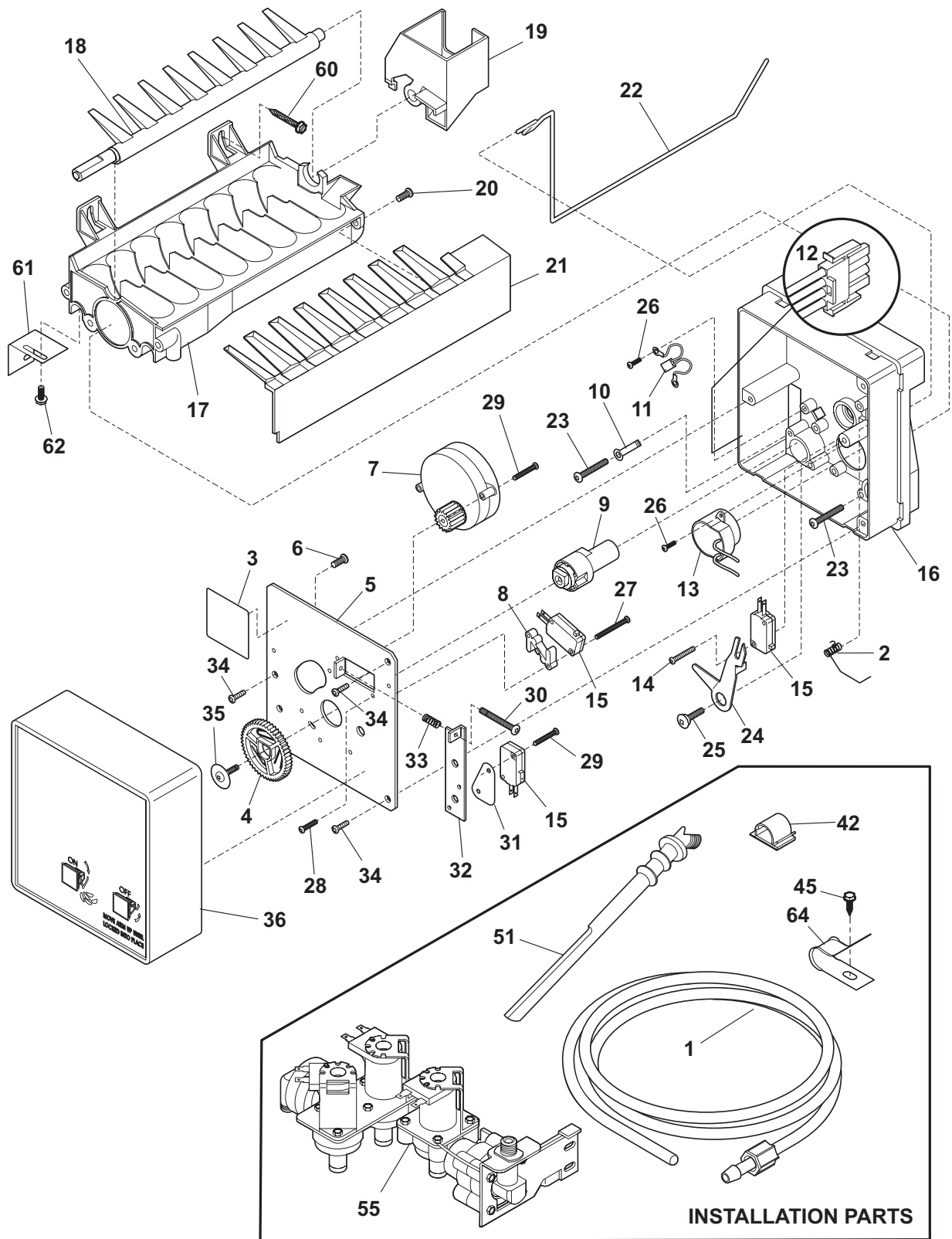
POS. NO	PART NO.		DESCRIPTION
1	218976419	A B C	Tube-water inlet, valve to door
1*	218976429	A B C	Tube-water inlet, 97.50", brown/tan
1*	218976915	A B C	Tube-water inlet, inlet valve, to filter
1*	240561701	A B C	Seal-water inlet, inlet valve, to ice maker
2	241973804	A - C	Switch Assembly, overlay, black
2	241973805	- B -	Switch Assembly, overlay, white
4	241946808	A - -	Cover-module, black
4	241946806	- B -	Cover-module, white
4	241946809	- - C	Cover-module
8	241753408	A - -	Module-dispenser, black
8	241753409	- B -	Module-dispenser, white
8	241753412	- - C	Module-dispenser, gray
23	241947003	A - -	Drip Tray, black
23	241947001	- B -	Drip Tray, white
23	241947006	- - C	Drip Tray
38C#	241973702	A B C	Board-control
82	240363402	A B C	Screw-#8-18 X 1/2, #6 hd plask
*	5303918371	A B C	Dispenser heater kit, 115

ICE CONTAINER

Model Index: A FGHS2334K (FGHS2334KB1)
 B FGHS2334K (FGHS2334KW1)
 C FGHS2344K (FGHS2344KF1)

POS. NO	PART NO.		DESCRIPTION
2	241716101	A B C	Auger-ice
3	241685201	A B C	Cam-drive
4	241734001	A B C	Container-ice, bucket only
6	241685101	A B C	Drum-ice disp
7	241734202	A B C	Front-ice container
10	241726501	A B C	Bar-drive
13	241685301	A B C	Gate
15	241555401	A B C	Light Bulb
16	241559801	A B C	Socket-light
17	241684501	A B C	Drive Blade
18	241676201	A B C	Motor-auger
18*	241522901	A B C	Harness-wiring, icmkr/container
20	241734802	A B C	Cover-motor
22	240597203	A B C	Sensor
23	241684001	A B C	Plate-front
25	241690701	A B C	Screw, hex washer head, 8-32T x 0.375
26	215503203	A B C	Screw, cr pan hd, 10-16 x 0.500
33	241684801	A B C	Spacer
34	241689801	A B C	Spacer
35A	241684301	A B C	Fixed Blade, round
35B	241684201	A B C	Fixed Blade, square
37A	241684101	A B C	Blade, crusher #1
37B	241684102	A B C	Blade, crusher #2
37C	241684103	A B C	Blade, crusher #3
39	241690501	A B C	Screw
41	241685601	A B C	Housing-crusher
43	218359202	A B C	Screw, pan head, 8-32 x 0.250
44	241842101	A B C	Screw, 8-32 x 1/4
45 #	241675701	A B C	Solenoid Assy, 115V
45A	241675901	A B C	Spring-solenoid
45B	241676001	A B C	E-Ring-solenoid
45C	241676101	A B C	Actuator-solenoid
45D#	241675801	A B C	Solenoid, 115V
46	241716002	A B C	Control Rod
47	241731801	A B C	Spring-control rod
48	241684602	A B C	Bracket-control rod
49	241734401	A B C	Rail Assy
50	241675601	A B C	Guide-solenoid
51	241676301	A B C	Rotation Stop
52	241684901	A B C	Spacer-fixed blades
53	241690402	A B C	Pin-spiral, fixed blades
54	241685001	A B C	Nut-auger
55	241690306	A B C	Washer
56	241690201	A B C	E-ring
57	241734101	A B C	Door-access
*	218817300	A B C	Shield-light
*	240507202	A B C	Deflector-ice container
*	241860812	A B C	Ice Container Assy, w/moving parts

ICE MAKER



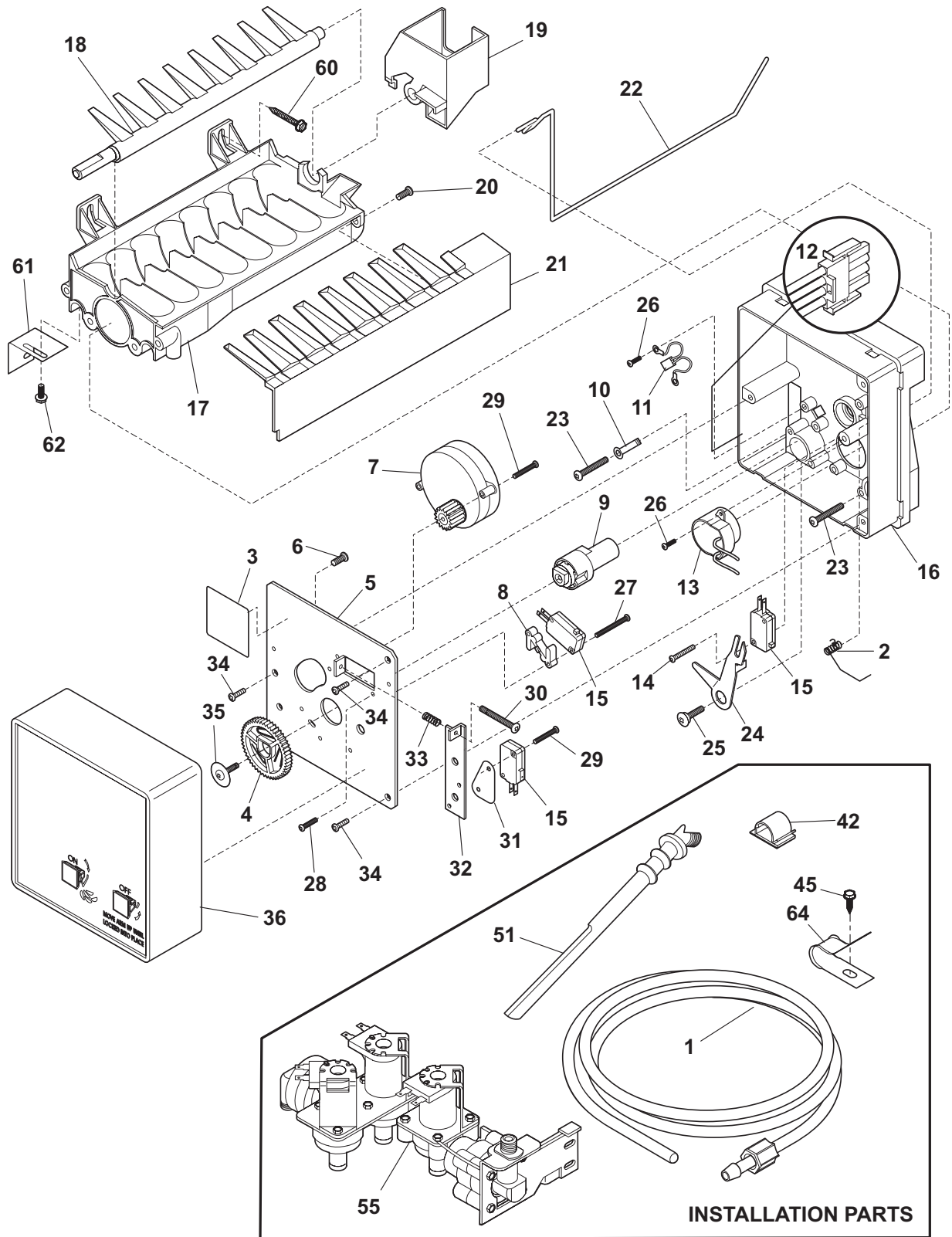
N5811151-1

ICE MAKER

Model Index: A FGHS2334K (FGHS2334KB1)
 B FGHS2334K (FGHS2334KW1)
 C FGHS2344K (FGHS2344KF1)

POS. NO	PART NO.		DESCRIPTION
1	218976419	A B C	Tube-water inlet, valve to door
1*	218976429	A B C	Tube-water inlet, 97.50", brown/tan
1*	218976915	A B C	Tube-water inlet, inlet valve, to filter
1*	240561701	A B C	Seal-water inlet, inlet valve, to ice maker
2	5304456650	A B C	Spring-shutoff arm, ice maker
3	5304456657	A B C	Nameplate
4	5304456658	A B C	Gear
5	5304456659	A B C	Plate-mounting
6	5304456691	A B C	Screw, M 3x20 #3, valve plate
7 #	5304445222	A B C	Motor-ice maker Svo
7*	5304445223	A B C	Spring Beam
8	5304456661	A B C	Spacer-hold switch
9	5304456662	A B C	Cam
10	5304456689	A B C	Washer, nylon
11 #	5304456663	A B C	Thermal Cutoff, ice maker, complete assy
12	5304456664	A B C	Harness-wiring
13	5304456665	A B C	Thermostat, ice maker
14	5304456676	A B C	Screw, plask, 4x14x3/4
15 #	5304456667	A B C	Switch-micro, (3)
16	5304456668	A B C	Support
17	5304456669	A B C	Mold-ice maker, w/therm cut off
18	5304456670	A B C	Ejector-ice
18*	241522901	A B C	Harness-wiring, icmkr/container
19	5304456671	A B C	Bearing & Inlet, fill cup
20	5304456677	A B C	Screw, 8-32 x 3/8
21	5304456672	A B C	Ice Stripper
22	5304456673	A B C	Shut-off Arm
23	5304456674	A B C	Screw, M 4x25 #2, mold-to-support, (2)
24	5304456675	A B C	Lever Arm
25	5304456676	A B C	Screw, M 4x12.8 #2, lever arm/sprt
26	5304456680	A B C	Screw, plask, 4-14 x 3/8
27	5304456677	A B C	Screw, M 3x25 #3, hold switch mtg, (2)
28	5304456660	A B C	Screw, M 4x6 #2
29	5304456678	A B C	Screw, M 3x12 #3, (2)
30	5304456679	A B C	Screw-timing adj, M 4x25 #3
31	5304456680	A B C	Insulator
32	5304456681	A B C	Plate-valve switch
33	5304456682	A B C	Spring, timing adjust
34	5304456683	A B C	Screw, M 4x12 #2, (3)
35	5304456684	A B C	Screw
36	5304456685	A B C	Cover-ice maker
36*	5304456690	A B C	Label, ID plate
42	218515403	A B C	Clip-grille
45	5304456650	A B C	Screw, hex washer head, 8-15A x 0.625, low profile
51	241796401	A B C	Tube-water fill, extension
55 #	241734301	A B C	Valve-water, triple solenoid
55*	218709101	A B C	Screw, hex head, 10-32 x 0.500
55*	240363602	A B C	Screw-shoulder

ICE MAKER



N581151-1

ICE MAKER

Model Index: **A** FGHS2334K (FGHS2334KB1)
 B FGHS2334K (FGHS2334KW1)
 C FGHS2344K (FGHS2344KF1)

POS. NO	PART NO.		DESCRIPTION
55*	240542901	A B C	Cap-water valve
60	5303207328	A B C	Screw, hex washer head, 8-15A x 1.000, (2)
61	5304456686	A B C	Bracket-leveling, ice maker
62	5304456687	A B C	Screw-IM brkt mtg, pan hd phillips, 8-32T x 0.375
64	5303001549	A B C	Clamp, 0.31 ID, steel, copper wtr line
*	5304456666	A B C	Screw, M 3x20 #2, (6)
*	5304456688	A B C	Terminal
*	5304456692	A B C	Washer
*	5304456693	A B C	Nut, M 3.5
*	5304456737	A B C	Washer
*	240352102	A B C	Connector-water, straight
*	241587402	A B C	Deflector-ice
*	241642501	A B C	Ice Maker, radius cube, 115 V, Svce

WIRING SCHEMATIC

