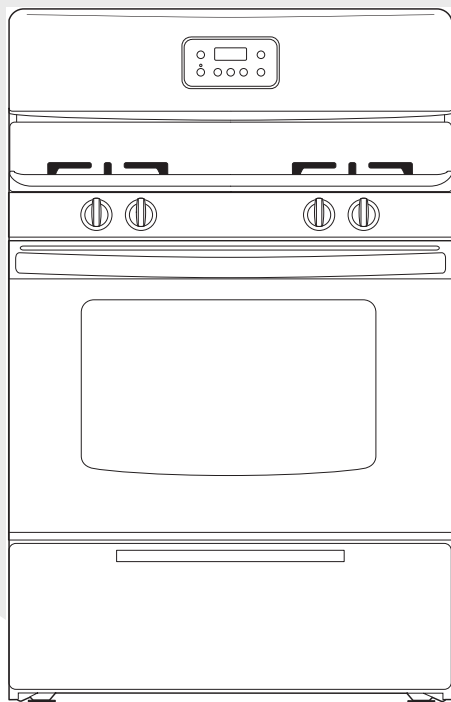


Frigidaire

Factory Parts Catalog



Product No.	FGF337GBA	FGF337GSA	FGF337GUA	FGF337GWA
Series	30" f/s gas	30" f/s gas	30" f/s gas	30" f/s gas
Color	black	white	black/bisque	black/white
Market	North America	North America	North America	North America
Owner's Guide	316417114	316417114	316417114	316417114
Installation Instructions	316259336	316259336	316259336	316259336
Service Data Sheet	316441709	316441709	316441709	316441709

Electrolux

Electrolux Major Appliances
North & Latin America
P.O. BOX 212378
AUGUSTA, GA 30917

Publication No.
5995496303
07/04/19
(EN/SERVICE/BJH)
369

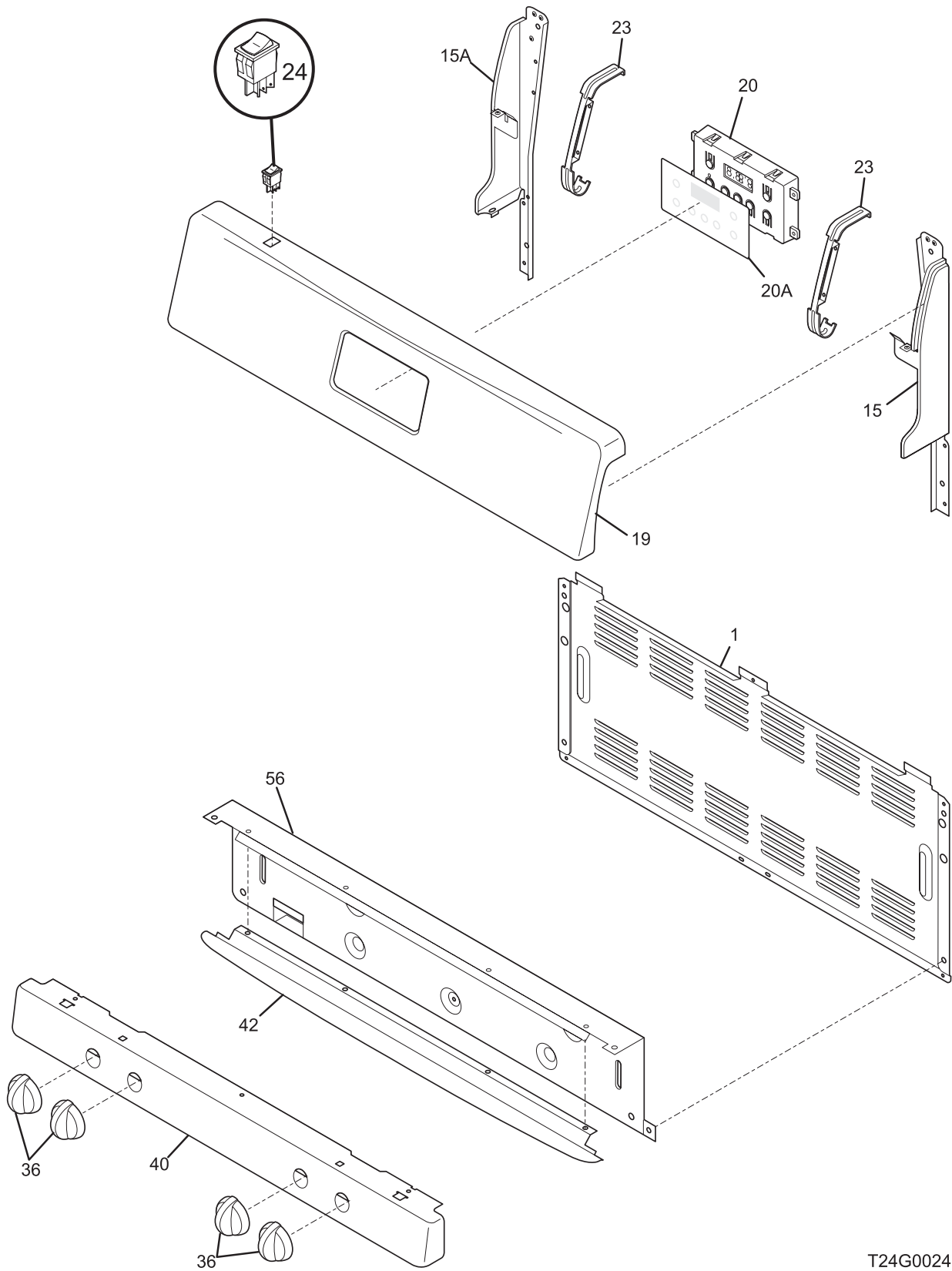
30-INCH FREE- STANDING GAS RANGE

Model No. FGF337G

This publication replaces
Publications 5995489175

Copyright © 2007 Electrolux Home Products, Inc.
All rights reserved.

BACKGUARD



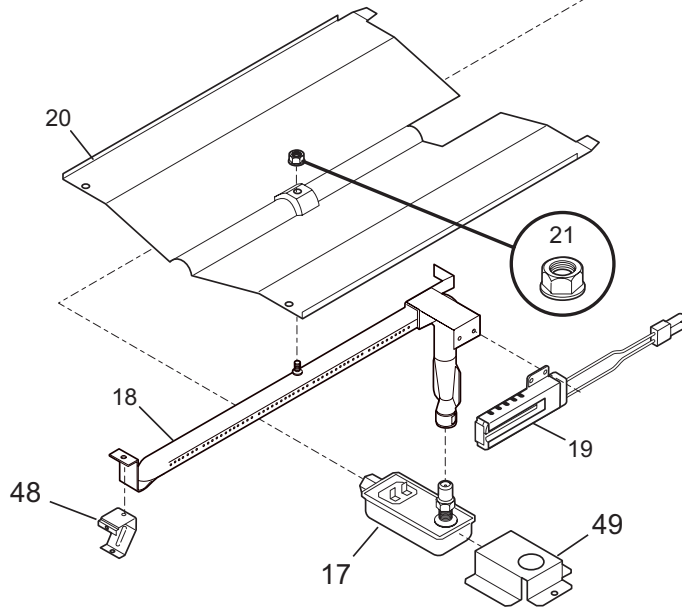
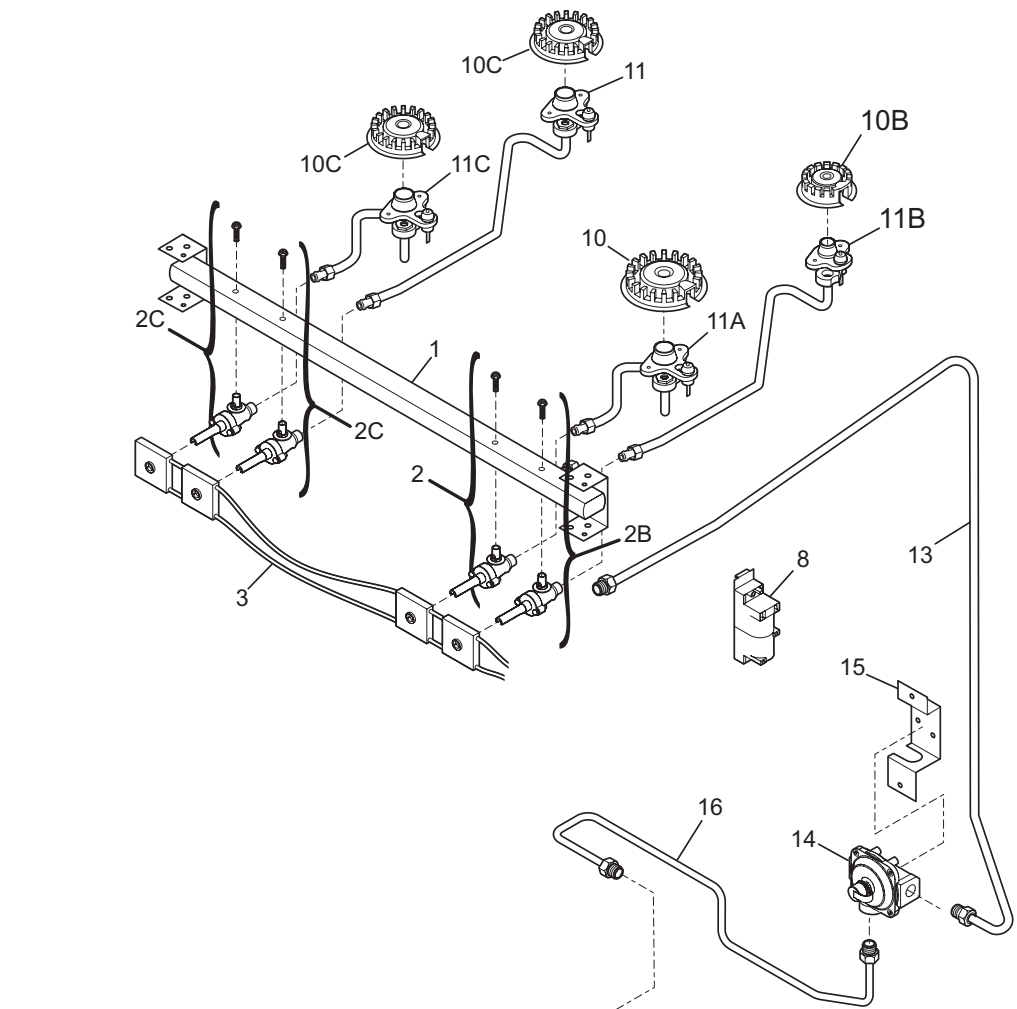
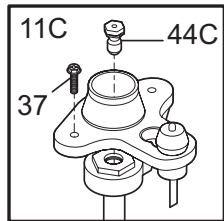
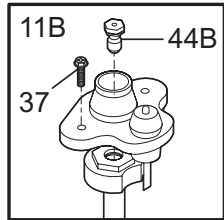
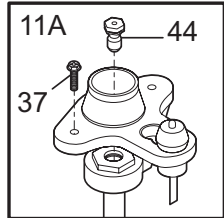
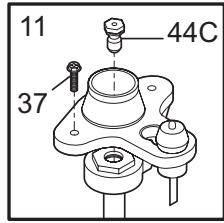
T24G0024

BACKGUARD

Model Index: A FGF337G (FGF337GBA)
 B FGF337G (FGF337GSA)
 C FGF337G (FGF337GUA)
 D FGF337G (FGF337GWA)

POS. NO	PART NO.		DESCRIPTION
1	316416100	A B C D	Shield, backguard, rear wall
15	316411405	A - C D	Support, backguard, black, RH
15	316411403	- B - -	Support, backguard, white, RH
15A	316411404	A - C D	Support, backguard, black, LH
15A	316411402	- B - -	Support, backguard, white, LH
19	316445218	A - C D	Panel, backguard, black
19	316445219	- B - -	Panel, backguard, white
20 #	316455410	A B C D	Clock/Timer, electronic, ES100
20A	316220701	A - C D	Overlay, clock, black
20A	316220700	- B - -	Overlay, clock, white
23	316441600	A B C D	Bracket-clock mtg, black
24 #	316448700	A - C D	Switch, rocker, black, oven light
24 #	316448701	- B - -	Switch, rocker, white, oven light
36	316220002	A - C D	Knob, top valve, black, 4
36	316220000	- B - -	Knob, top valve, white, (4)
40	316447300	A - C D	Panel, manifold, black
40	316204999	- B - -	Panel, manifold, white
42	316270600	A - C D	Trim, extrusion, black
42	316270601	- B - -	Trim, extrusion, grey
56	316230701	A B C D	Shield, backguard, inner
*	316021105	A B C D	Screw, hex head cup pt, 8-18 x 0.375, black
*	316021108	A B C D	Screw, cup pt, 8-18 x 0.375, chrome
*	316021109	A B C D	Screw, 8-18 x 0.5, chrome
*	316021110	A B C D	Screw, 8-18 x 0.5, black

BURNER



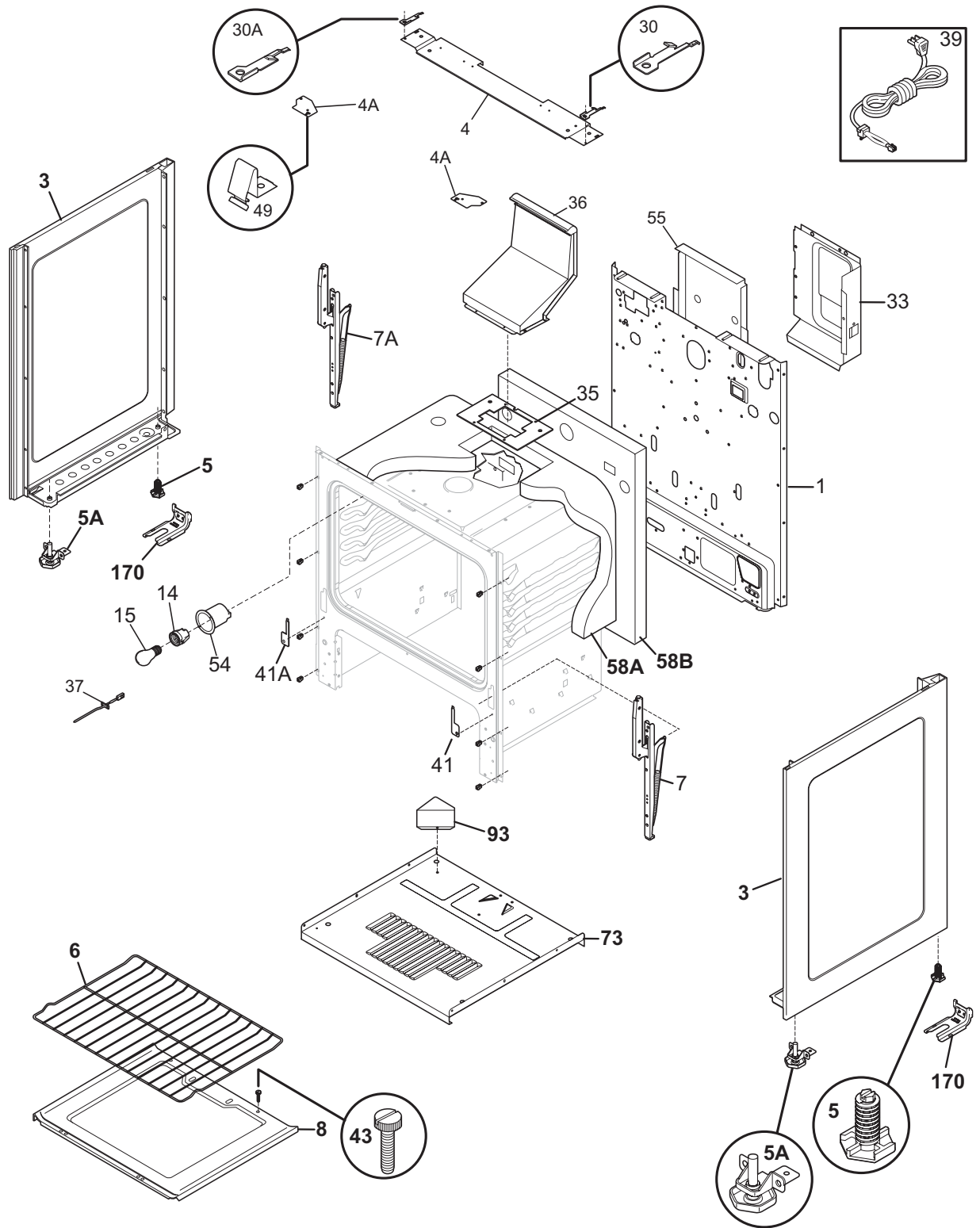
T24B0029

BURNER

Model Index: A FGF337G (FGF337GBA)
 B FGF337G (FGF337GSA)
 C FGF337G (FGF337GUA)
 D FGF337G (FGF337GWA)

POS. NO	PART NO.				DESCRIPTION	
1 #	316446800	A	B	C	D	Manifold Pipe
2 #	5303935232	A	B	C	D	Valve, 12K burner, w/mtg screw
2B #	5303935235	A	B	C	D	Valve, 5K burner, w/mtg screw
2C #	5303935234	A	B	C	D	Valve, 9.5K burner, w/mtg screw
3 #	316219004	A	B	C	D	Wiring Harness, w/igntr switch
8 #	316135701	A	B	C	D	Module, spark
10 #	316212300	A	B	C	D	Burner, sealed, 12K
10B#	316206400	A	B	C	D	Burner, sealed, 5K
10C#	316212400	A	B	C	D	Burner, sealed, 9.5K
11 #	316237701	A	B	C	D	Ignitor/orifice assy., top burner, rear, 9.5K, w/holder, tube
11A#	316237801	A	B	C	D	Ignitor/orifice assy., top burner, front
11B#	316237700	A	B	C	D	Ignitor/orifice assy., top burner, rear, 5K, w/holder, tube
11C#	316237800	A	B	C	D	Ignitor/orifice assy., top burner, front
13	316447100	A	B	C	D	Tube, 3/8, aluminum, rgltr to manf, with fittings
14 #	316091706	A	B	C	D	Regulator, pressure
14*	316021104	A	B	C	D	Screw, hex, 8-18 x 3/8, nick, (3), regulator brkt
15	316091600	A	B	C	D	Bracket, regulator
16	316065006	A	B	C	D	Tube, valve to regul, 3/8
17 #	3203459	A	B	C	D	Valve, safety
18 #	316114300	A	B	C	D	Burner, oven
19 #	316489402	A	B	C	D	Ignitor, oven kit, w/nut & instr
20	316496001	A	B	C	D	Baffle, oven burner
21	5303013272	A	B	C	D	Nut, hex head sems
37	316240600	A	B	C	D	Screw, assy mtg, ignitor/orifice
44	316237901	A	B	C	D	Orifice, top burner, 12K
44B	316237903	A	B	C	D	Orifice, top burner, 5K
44C	316237902	A	B	C	D	Orifice, top burner, 9.5K
48	3018603	A	B	C	D	Bracket, support, oven burner
49	3131438	A	B	C	D	Bracket, safety valve
*	GRLP2	A	B	C	D	LP conversion kit
* #	316253700	A	B	C	D	Wiring Harness, ignitor module
*	316215600	A	B	C	D	Screw, valve mtg., 1/4 - 20
*	5303271648	A	B	C	D	Screw, wafer hd sq dr, 8-18AB x 0.5

BODY



NOTE: Oven Liner N/A
Ass. du four N/A

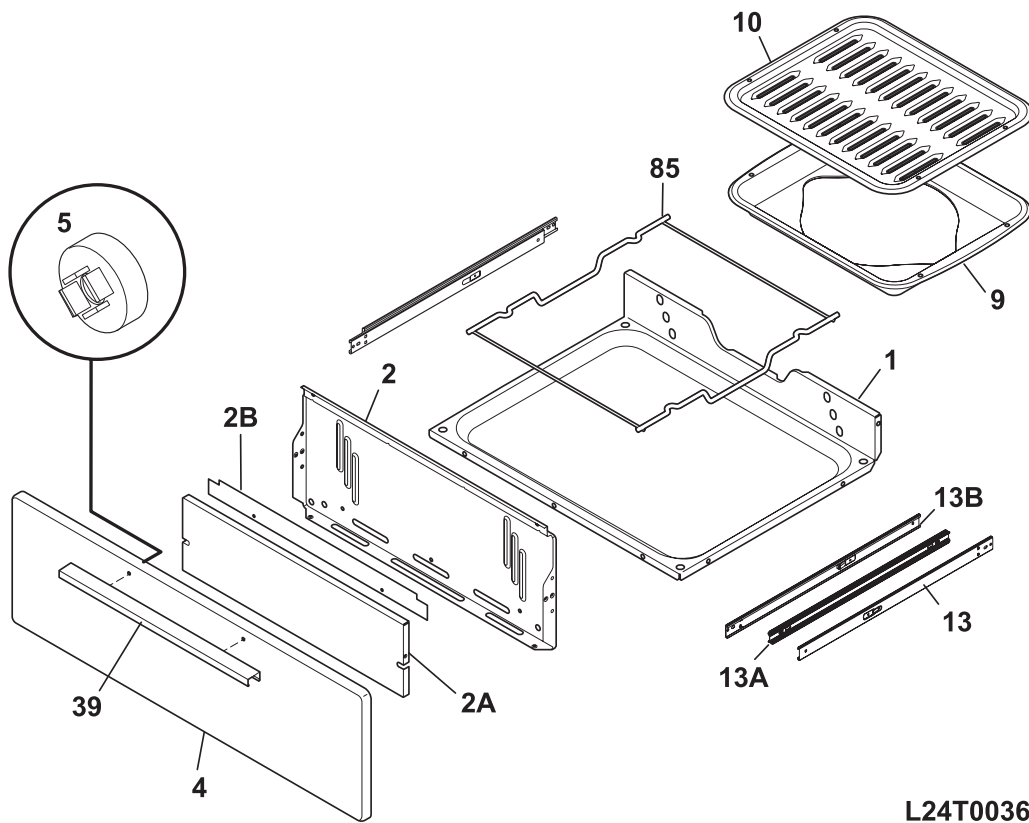
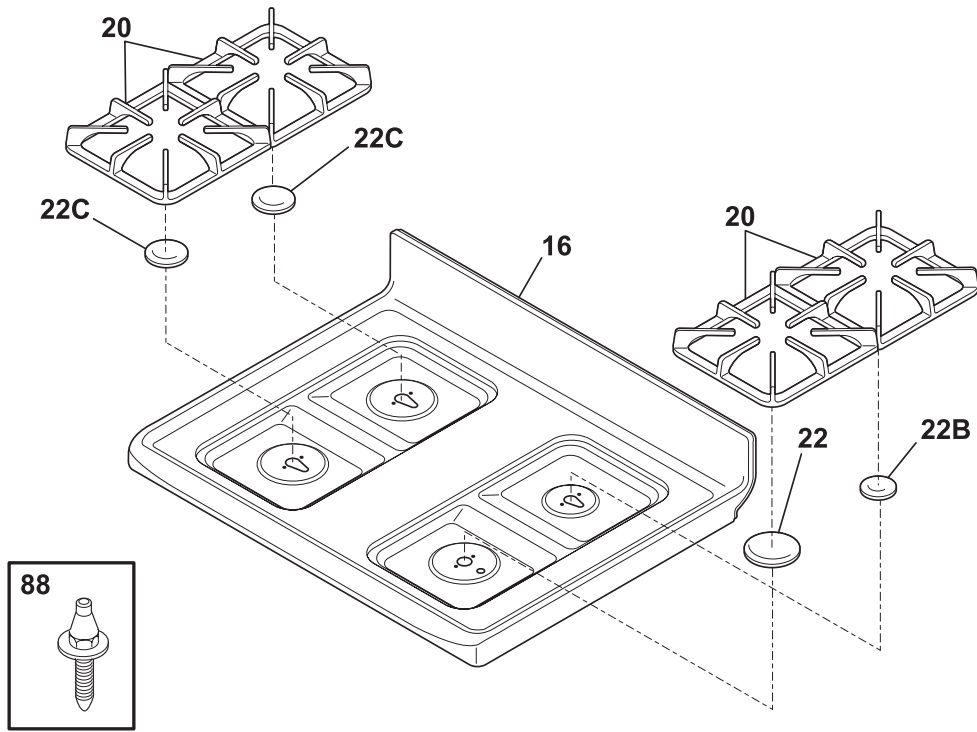
T24V0087

BODY

Model Index: A FGF337G (FGF337GBA)
 B FGF337G (FGF337GSA)
 C FGF337G (FGF337GUA)
 D FGF337G (FGF337GWA)

POS. NO	PART NO.	A	B	C	D	DESCRIPTION
1	316029415	A	B	C	D	Panel, main back
3	316400118	A	-	-	-	Panel, bodyside, black, RH
3	316400119	A	-	-	-	Panel, bodyside, black, LH
3	316400116	-	B	-	D	Panel, bodyside, white, RH
3	316400117	-	B	-	D	Panel, bodyside, white, LH
3	316400120	-	-	C	-	Panel, bodyside, bisque, RH
3	316400121	-	-	C	-	Panel, bodyside, bisque, LH
4	316447000	A	B	C	D	Bracket, chassis support, rear
4A	316446900	A	B	C	D	Bracket, chassis, front, (2)
5	316272900	A	B	C	D	Screw, leveling, plastic, rear, (2)
5A	316498900	A	B	C	D	Leveling Leg Assy, metal, front, (2), bracket & leg
6	316067902	A	B	C	D	Rack, oven
7	316216510	A	B	C	D	Hinge, oven door, RH
7A	316216511	A	B	C	D	Hinge, oven door, LH
8	316495901	A	B	C	D	Panel,, oven bottom
8*	316064600	A	B	C	D	Support, oven bottom
14	316116400	A	B	C	D	Receptacle, oven light
15	5303013071	A	B	C	D	Bulb/Lamp, light
30	316217700	A	B	C	D	Bracket, hinge, RH, main top
30A	316217701	A	B	C	D	Bracket, hinge, LH, main top
33	316055600	A	B	C	D	Shield, spark module, galv steel
35	316116600	A	B	C	D	Gasket, flue
36	316208902	A	B	C	D	Flue, black
37 #	316233900	A	B	C	D	Probe, oven temp
39	3202006	A	B	C	D	Cord, electric power
41	316233400	A	B	C	D	Cover, hinge cutout, RH
41A	316233500	A	B	C	D	Cover, hinge cutout, LH
43	3131732	A	B	C	D	Screw, 8-18 x 1.438, oven bottom
49	316234200	A	B	C	D	Clip, maintop mtg, (2)
54	5303271606	A	B	C	D	Housing, oven light
55	5303289358	A	B	C	D	Shield, flue
58A	3017142	A	B	C	D	Insulation, oven wrapper
58B	316054202	A	B	C	D	Insulation, 1", oven back
73	316109902	A	B	C	D	Base, low broil
93	316110000	A	B	C	D	Shield, ignitor, metal
170	5303935180	A	B	C	D	Anti-tip Kit, w/bracket, screw
170*	316107200	A	B	C	D	Bracket, anti-tip
170*	316112500	A	B	C	D	Template, anti-tip
170*	316116000	A	B	C	D	Screw, concrete, 1.75", anti-tip brkt
* #	316253308	A	B	C	D	Harness, main
*	316435800	A	B	C	D	Plate, weight, (3)
*	5303321321	A	-	C	-	Paint, touch-up, black
*	5303321319	-	B	-	D	Paint, touch-up, white
*	5304414035	-	-	C	D	Paint, touch-up, bisque
*	316021105	A	B	C	D	Screw, hex head cup pt, 8-18 x 0.375, black
*	316021108	A	B	C	D	Screw, cup pt, 8-18 x 0.375, chrome
*	316021110	A	B	C	D	Screw, 8-18 x 0.5, black
*	316089500	A	B	C	D	Screw, 10-16 x .486
*	5303271648	A	B	C	D	Screw, wafer hd sq dr, 8-18AB x 0.5
*	5303285179	A	B	C	D	Screw, wafer head, 8-32T x 0.500, black

TOP/DRAWER



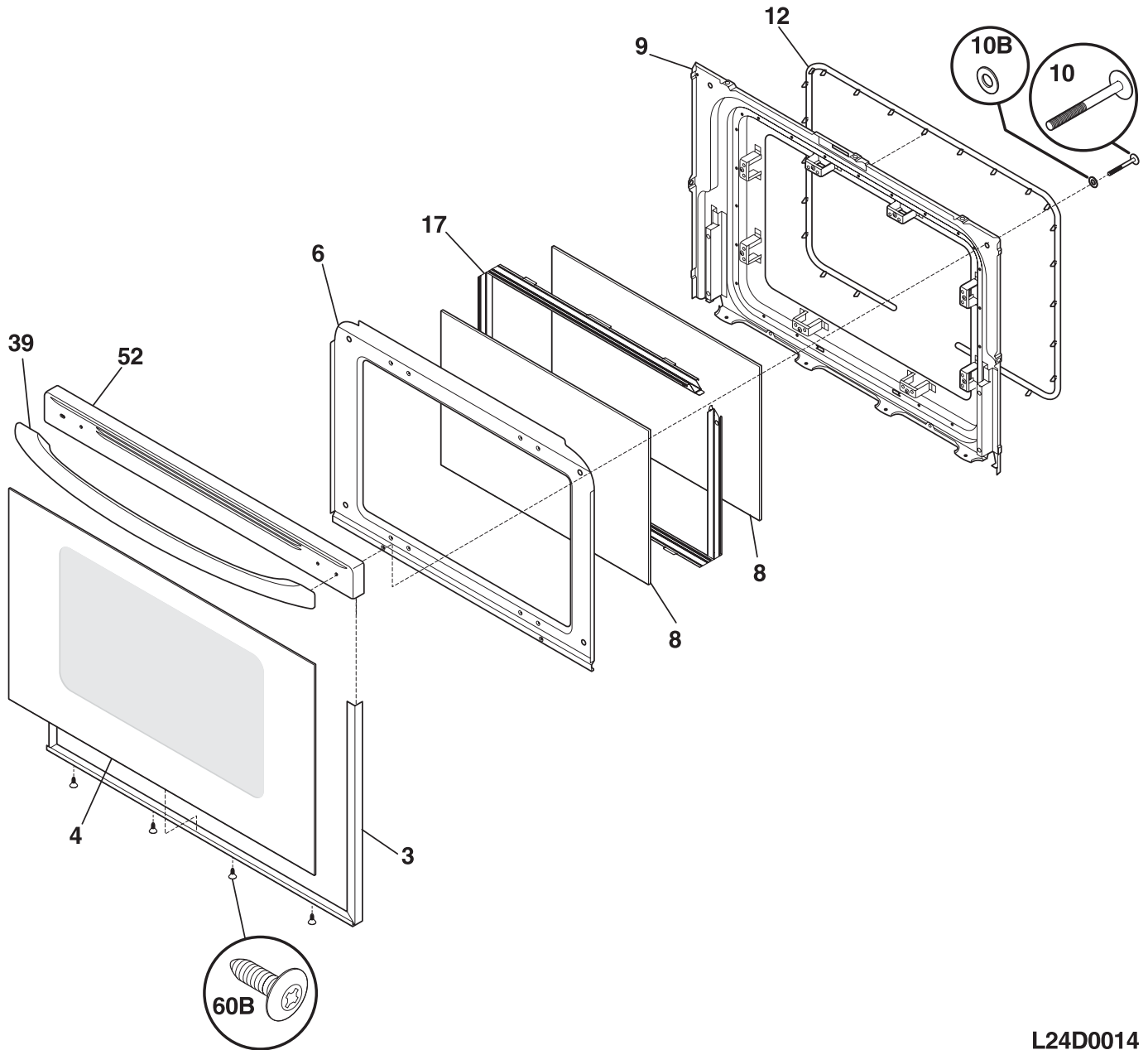
L24T0036

TOP/DRAWER

Model Index: A FGF337G (FGF337GBA)
 B FGF337G (FGF337GSA)
 C FGF337G (FGF337GUA)
 D FGF337G (FGF337GWA)

POS. NO	PART NO.		DESCRIPTION
1	316110201	A B C D	Carriage, low broil
2	316236401	A B C D	Liner, low broil
2A	316110800	A B C D	Shield, broiler
2B	316237600	A B C D	Shield, low broil, top
4	316231212	A - - -	Panel, drawer, black
4	316231211	- B - D	Panel, drawer, white
4	316231214	- - C -	Panel, drawer, bisque
5	316129100	A B C D	Fastener, push-in nut, nylon, spacer
9	316081900	A B C D	Pan, broiler
10	316082000	A B C D	Insert, broiler pan
13	316111502	A B C D	Glide, low broil, chassis
13A	316111600	A B C D	Glide, low broil, inner
13B	316111501	A B C D	Glide, low broil, outer
16	316202321	A - - -	Main Top, black
16	316202322	- B - D	Main Top, white
16	316202324	- - C -	Main Top, bisque
20	316202400	A - - -	Grate, black
20	316202401	- B - -	Grate, gray
20	316463200	- - C D	Grate, gloss black, (4)
22	316213600	A - C D	Cap, 12K burner, black
22	316213601	- B - -	Cap, 12K burner, gray
22B	316206600	A - C D	Cap, 5K burner, black
22B	316206601	- B - -	Cap, 5K burner, gray
22C	316213500	A - C D	Cap, 9.5K burner, black
22C	316213501	- B - -	Cap, 9.5K burner, gray
39	316019512	A - - -	Handle, drawer, black
39	316019511	- B - D	Handle, drawer, white
39	316019513	- - C -	Handle, drawer, bisque
85	316115600	A B C D	Rack, low broil
88	316099500	A B C D	Pin, guide, (2)
*	316021105	A B C D	Screw, hex head cup pt, 8-18 x 0.375, black
*	316021108	A B C D	Screw, cup pt, 8-18 x 0.375, chrome
*	316021109	A B C D	Screw, 8-18 x 0.5, chrome
*	316021110	A B C D	Screw, 8-18 x 0.5, black
*	316021120	A B C D	Screw, shoulder head, 8-18 x 5/8, (2), square drive

DOOR



L24D0014

DOOR

Model Index: **A** FGF337G (FGF337GBA)
 B FGF337G (FGF337GSA)
 C FGF337G (FGF337GUA)
 D FGF337G (FGF337GWA)

POS. NO	PART NO.		DESCRIPTION
3	5303935191	A - C D	Trim kit-door, 3 sided, black, w/tape and foil
3	5303935192	- B - -	Trim kit-door, 3 sided, white, w/tape and foil
4	316202820	A - C D	Glass, oven door, black, outer
4	316202818	- B - -	Glass, oven door, white, outer
6	316222711	A B C D	Shield, wool, black, oven door
8	316237100	A B C D	Glass, oven door, clear, heat barrier
9	316230623	A B C D	Liner, oven door
10	316278700	A B C D	Screw, wafer head, 10-14 x 1 3/8, handle mtg
10B	316008401	A B C D	Washer, 3/4 OD x 1/4 ID, steel
12	316239700	A B C D	Seal, oven door
17	316117701	A B C D	Spacer, door glass, (2)
39	316270200	A - C D	Handle, door, black
39	316270201	- B - -	Handle, door, white
52	316468601	A - C D	Cap, door trim, black
52	316468600	- B - -	Cap, door trim, white
60B	316021110	A B C D	Screw, 8-18 x 0.5, black
*	316433600	A B C D	Label, anti-tip
*	316021109	A B C D	Screw, 8-18 x 0.5, chrome
*	5303271648	A B C D	Screw, wafer hd sq dr, 8-18AB x 0.5
*	5303285179	A B C D	Screw, wafer head, 8-32T x 0.500, black