

# Frigitaire

## Factory Parts Catalog

Product No.	FRT15B3JQ0	FRT15B3JW0	FRT15B3JZ0
Series	R134a	R134a	R134a
Color	bisque (right)	white (right)	white (left)
Volts	115	115	115
Wiring Diagram	241582401	241582401	241582401
Owner's Guide	241857201	241857201	241857201
Market	North America	North America	North America
Energy Guide	241613767	241613767	241613767
Service Data Sheet	241588203	241588203	241588203
Installation Instructions	240568303	240568303	240568303

 **Electrolux**

Electrolux Major Appliances  
North & Latin America  
P.O. BOX 212378  
AUGUSTA, GA 30917

Publication No.  
**5995505848**  
08/01/29  
(EN/SERVICE/DCS)  
390

**TOP-MOUNT  
REFRIGERATOR**

Model No.  
**FRT15B3J**

Copyright © 2008 Electrolux Home Products, Inc.  
All rights reserved.



---

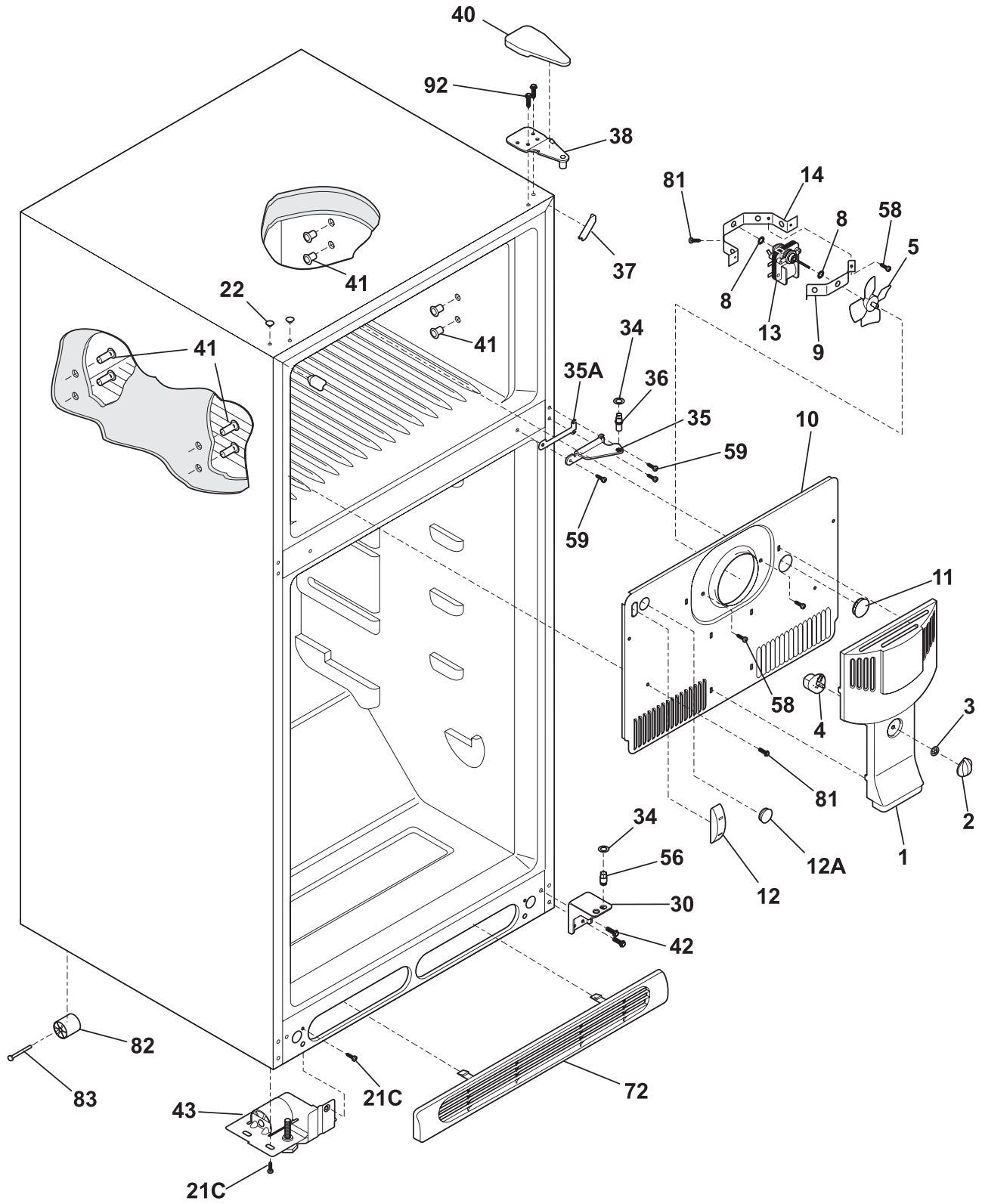
**DOOR**


---

*Model Index:* A FRT15B3J (FRT15B3JQ0)  
 B FRT15B3J (FRT15B3JW0)  
 C FRT15B3J (FRT15B3JZ0)

POS. NO	PART NO.		DESCRIPTION
1	241872501	A B C	Gasket-frzr door, white, magnetic
2	241872502	A B C	Gasket-refr door, white, magnetic
4	240535101	A B C	Rack-door
4A	240535301	A B C	Rack-door
4B	240535201	A B C	Rack-door
7	240337701	A B C	Door-dairy, w/o graphics, white
8	240535001	A B C	Rack-door
10	240381302	A - -	Plug-button, bisque, hinge brg hole, (2)
10	240381301	- B C	Plug-button, white, hinge brg hole, (2)
11	240415402	A - -	Door, frzr, bisque
11	240415401	- B C	Door, frzr, white
12	241808601	A B C	Label-nameplate
13	240312407	A - -	Door Stop, bisque, ref
13	240312403	- B C	Door Stop, white, ref
13A	240312408	A - -	Door Stop, bisque, frzr
13A	240312404	- B C	Door Stop, white, frzr
14	240494002	A - -	Plug-button, bisque
14	240494001	- B C	Plug-button, white
15	240415502	A - -	Door, refr, bisque
15	240415501	- B C	Door, refr, white
18A	218428119	A - -	Handle-door, bisque, w/block & screw
18A	218428101	- B C	Handle-door, white, w/block & screw
21	240383406	A B C	Screw, truss hd quad, #10-16 x .500, zinc
21A	240521303	A B C	Screw, #10-16 x 1/2
21C	218252201	A B C	Screw, #8 truss hd, 10-32CA x 0.500
22	240527101	A B C	Bearing-hinge, natural color
73	218396700	A B C	Block-handle mtg, dovetail
74	215503203	A B C	Screw, cr pan hd, 10-16 x 0.500

**CABINET**



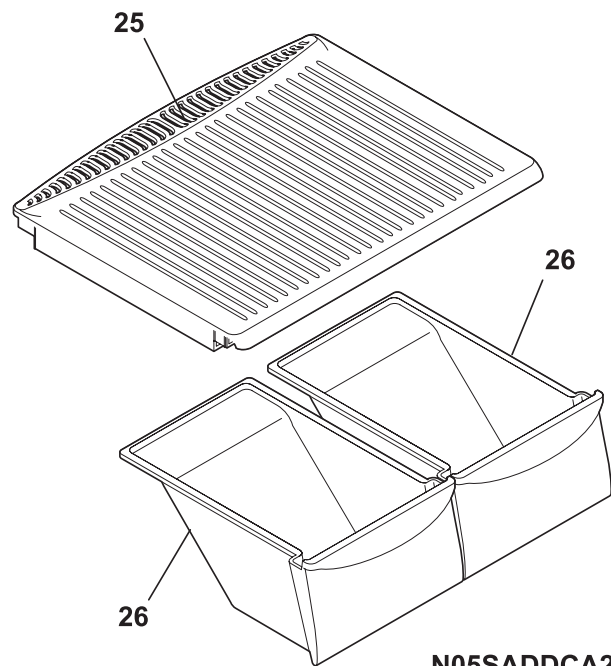
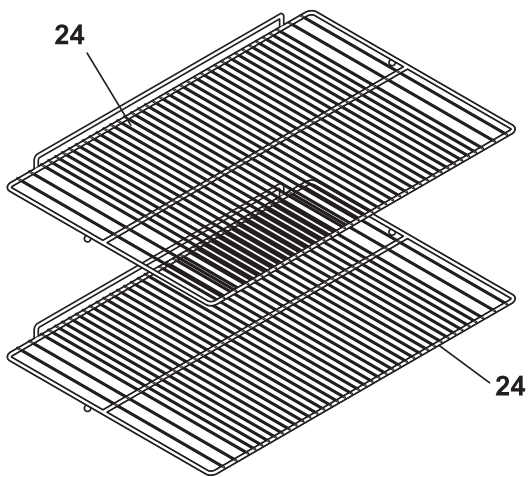
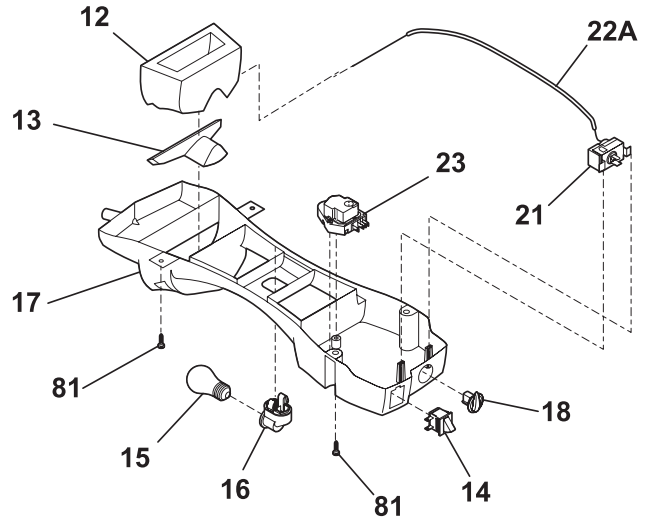
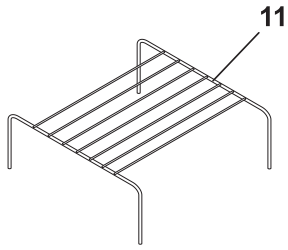
**N05BBAABA26**

**CABINET**

*Model Index:* A FRT15B3J (FRT15B3JQ0)  
 B FRT15B3J (FRT15B3JW0)  
 C FRT15B3J (FRT15B3JZ0)

POS. NO	PART NO.		DESCRIPTION
1	241652301	A B C	Cover-fan
2	240367001	A B C	Knob-damper control
3	5303001028	A B C	Nut, push-on
4	241523701	A B C	Damper-fan cover
5 #	5308000010	A B C	Fan Blade, red, evaporator fan
8	5300157666	A B C	Bushing-motor mtg, (2)
9	5303292396	A B C	Bracket-motor mtg, front
10	241652215	A B C	Cover-evap coil
10*	240568601	A B C	Seal-coil cover
10*#	241520701	A B C	Harness-wiring, freezer
11	5303208309	A B C	Plug-hole, factory test
12	241557601	A B C	Plug-ice maker harness, rectangular
12A	240374401	A B C	Plug-wtr inlet tube, round, 1"
12A*	241586701	A B C	Plug-foam-wtr-inlet, round
13 #	241854301	A B C	Motor-fan
13*	215474201	A B C	Washer, "slinger", nylon, evap fan shaft
13*	218931001	A B C	Clamp-motor wiring, nylon, w/adhesive tape
14	5303292397	A B C	Bracket-motor mtg, rear
14*	240433204	A B C	Screw, hex washer head, 8-18 x 5/16
21C	218252201	A B C	Screw, #8 truss hd, 10-32CA x 0.500
22	215774919	A - -	Plug-button, bisque, upr hinge holes
22	215774901	- B C	Plug-button, white, upr hinge holes
30	240357106	A B C	Bracket-lower hinge
34	240311303	A B C	Washer, hinge, nylon, (2)
35	240357006	A B C	Bracket-ctr hinge
35A	240336802	A B C	Spacer-hinge, center
36	240516402	A B C	Pin-center hinge
37	241611304	A - -	Trim-cabinet corner, bisque, (2)
37	241611301	- B C	Trim-cabinet corner, white, (2)
38	240356901	A B C	Bracket, upper hinge
40	240354403	A - -	Cover-upper hinge, bisque
40	240354401	- B C	Cover-upper hinge, white
41	5308009759	A B C	Grommet, shelf mtg, 1.25", LH, (4)
42	240578902	A B C	Screw-hinge mtg, hex head, 1/4-20 x 5/8
43	241559604	A B C	Roller Assy, fixed, front LH
43*	241559603	A B C	Roller Assy, fixed, front RH
56	240516502	A B C	Pin-lower hinge
58	5304456287	A B C	Screw, hex washer head, 8-15A x 0.500
59	240442706	A B C	Screw-#10-32 X 3/4, zinc
72	240368302	A - -	Grille/Kickplate, bisque, lower front
72	240368301	- B C	Grille/Kickplate, white
81	5304455650	A B C	Screw, hex washer head, 8-15A x 0.625, low profile
82	5304418225	A B C	Roller, compressor base, rear, (2)
83	5304455655	A B C	Rivet, flat head, 1/4 OD x 1-3/4, roller pin
92	241710601	A B C	Screw, hex washer hd, 1/4 x 7/8, hinge mtg
*	240479601	A B C	Plug, button, cab liner holes
*	5304414035	A - -	Paint, touch-up, bisque
*	5303321319	- B C	Paint, touch-up, white

**SHELVES**



**N05SADDCA21**

**SHELVES**

*Model Index:* A FRT15B3J (FRT15B3JQ0)  
 B FRT15B3J (FRT15B3JW0)  
 C FRT15B3J (FRT15B3JZ0)

POS. NO	PART NO.		DESCRIPTION
11	5303282284	A B C	Shelf-freezer, "table type"
12	241542001	A B C	Diffuser, air, top
13	240362601	A B C	Diffuser, air, bottom
14 #	241554901	A B C	Switch-light/lamp
15	241555401	A B C	Light Bulb
16	241559801	A B C	Socket-light
17	240368001	A B C	Control Box
17*	240568607	A B C	Seal
17*#	240388701	A B C	Wiring Harness, control box
18	240360801	A B C	Knob, temp control
21 #	5304421256	A B C	Control, temperature
22A	240468201	A B C	Tube, sensor sleeve, 31 inch, plastic, white
23 #	241621501	A B C	Timer-defrost
23*	5304455649	A B C	Screw-timer mtg, pan hd, 6-20 x 0.438, (2)
24	240360902	A B C	Shelf, sliding, wire
25	240364706	A B C	Cover, crisper pan
26	240364501	A B C	Pan, crisper, (2)
81	5304455650	A B C	Screw, hex washer head, 8-15A x 0.625, low profile
*	241613767	A B C	Energy Guide





---

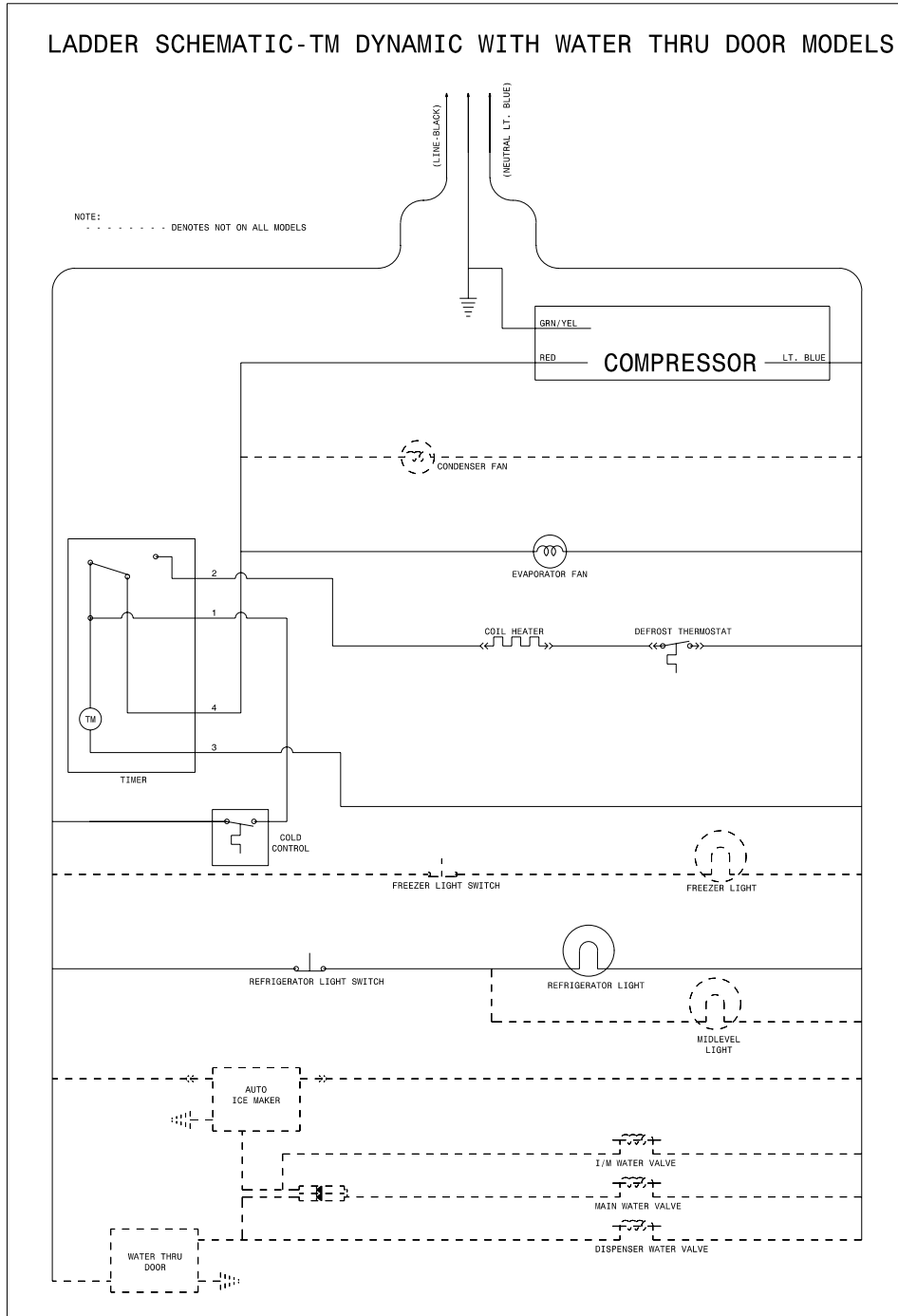
**SYSTEM**


---

*Model Index:* A FRT15B3J (FRT15B3JQ0)  
 B FRT15B3J (FRT15B3JW0)  
 C FRT15B3J (FRT15B3JZ0)

POS. NO	PART NO.		DESCRIPTION
1 #	241785201	A B C	Condenser, static
1*	240405201	A B C	Grommet, rubber, black, cond tube/wire
1*	5303208866	A B C	Spacer, condenser tube, black
1*	5304406721	A B C	Spacer-cond tube, round, 5/8 OD x .81"lg
2	5308000296	A B C	Bracket, condenser mtg, (4)
4	218944002	A B C	Drier-filter, R134a System
6 #	241678801	A B C	Harness-wiring, machine compt
6* #	240388701	A B C	Wiring Harness, control box
14 #	240356220	A B C	Heater-defrost
15	5303918275	A B C	Evaporator Kit
16	5308000110	A B C	Strap-evap/heater, aluminum, (2)
17	241801302	A B C	Trough-drain
20	241551902	A B C	Insulation Block
21 #	5303918202	A B C	Thermostat-defrost, kit
22	241665605	A B C	Base-compressor
22*	218252201	A B C	Screw, #8 truss hd, 10-32CA x 0.500
23	218513300	A B C	Grommet-compr mtg, (4)
24	241812301	A B C	Washer-compr mtg
25	216056401	A B C	Clip-compressor mtg
26	240598501	A B C	Pan-defrost drain
26*	5303307896	A B C	Thermal Mastic
29 #	5303918326	A B C	Compressor, w/electricals
30 #	241667501	A B C	Relay Combo
41	240433204	A B C	Screw, hex washer head, 8-18 x 5/16
44	5304456288	A B C	Clamp-wiring harness, strain relief, galv steel
45	5304455650	A B C	Screw, hex washer head, 8-15A x 0.625, low profile
45*	241500304	A B C	Screw, hex washer head, 8-18AB x 0.625
57	240542601	A B C	Clip-wiring harness
82	5304418225	A B C	Roller, compressor base, rear, (2)
83	5304455655	A B C	Rivet, flat head, 1/4 OD x 1-3/4, roller pin
84	241505701	A B C	Tube-drain, lower
85	241879801	A B C	Tube-connector, suction
*	240396801	A B C	Clamp, tube/wiring, nylon, black/natural
*	5303918263	A B C	Heat Exchanger Kit, suction line
* #	5303918234	A B C	Hot Tube Repair Kit, service

### WIRING SCHEMATIC



# WIRING DIAGRAM

