



RANGEMASTER® 64000 SERIES RANGE HOOD

Provides high ventilation and durable construction to meet the needs of professional-style home cooking appliances

A complete installation requires several optional components.

FEATURES

HOOD:

- Widths – 30" to 48" in 6" increments
- Finishes – Stainless Steel and appliance colors in White, and Black
- Aluminum grease filters are dishwasher safe
- Dual infrared food warming lamps (120V, IR175W, PAR38) (Purchase separately)
- Warming lamps can be replaced with 90W halogen white lights (120V, 90W, PAR38)
- Halogen lamps (2 for 30" and 36" hood; 3 for 42" and 48" hood) (120V, 50W, PAR20) (Purchase separately)
- Solid-State, infinite speed blower control with speed memory
- Exclusive, Broan Heat Sentry™ turns blower ON to HIGH speed when excess heat is detected
- Baffle filters available

BACKSPLASH:

RP Series (Optional)

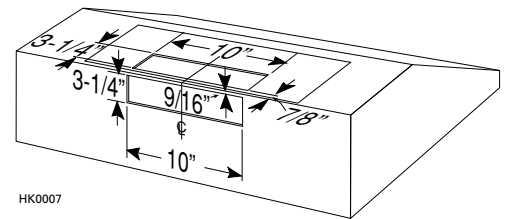
- Widths – 30" to 48" in 6" increments
- Stainless Steel construction – protects back wall and wipes clean easily
- Two, dual-position food warming / condiment storage shelves

SPECIFICATION

Volts: 120

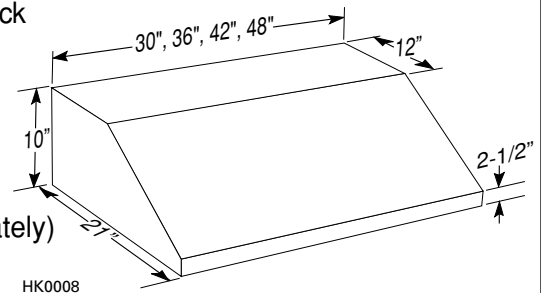
Hz: 60

Amps (without blower): 4.2 (for 42" and 48" hood)
3.75 (for 30" and 36" hood)

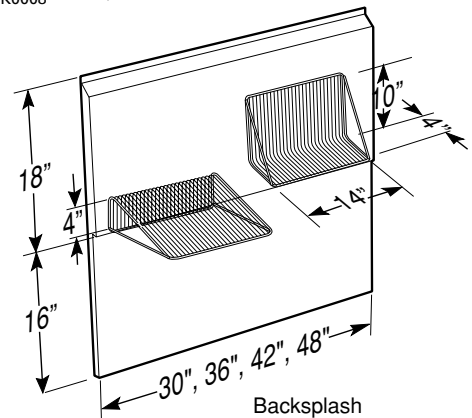


HK0007

64000 series hood



HK0008



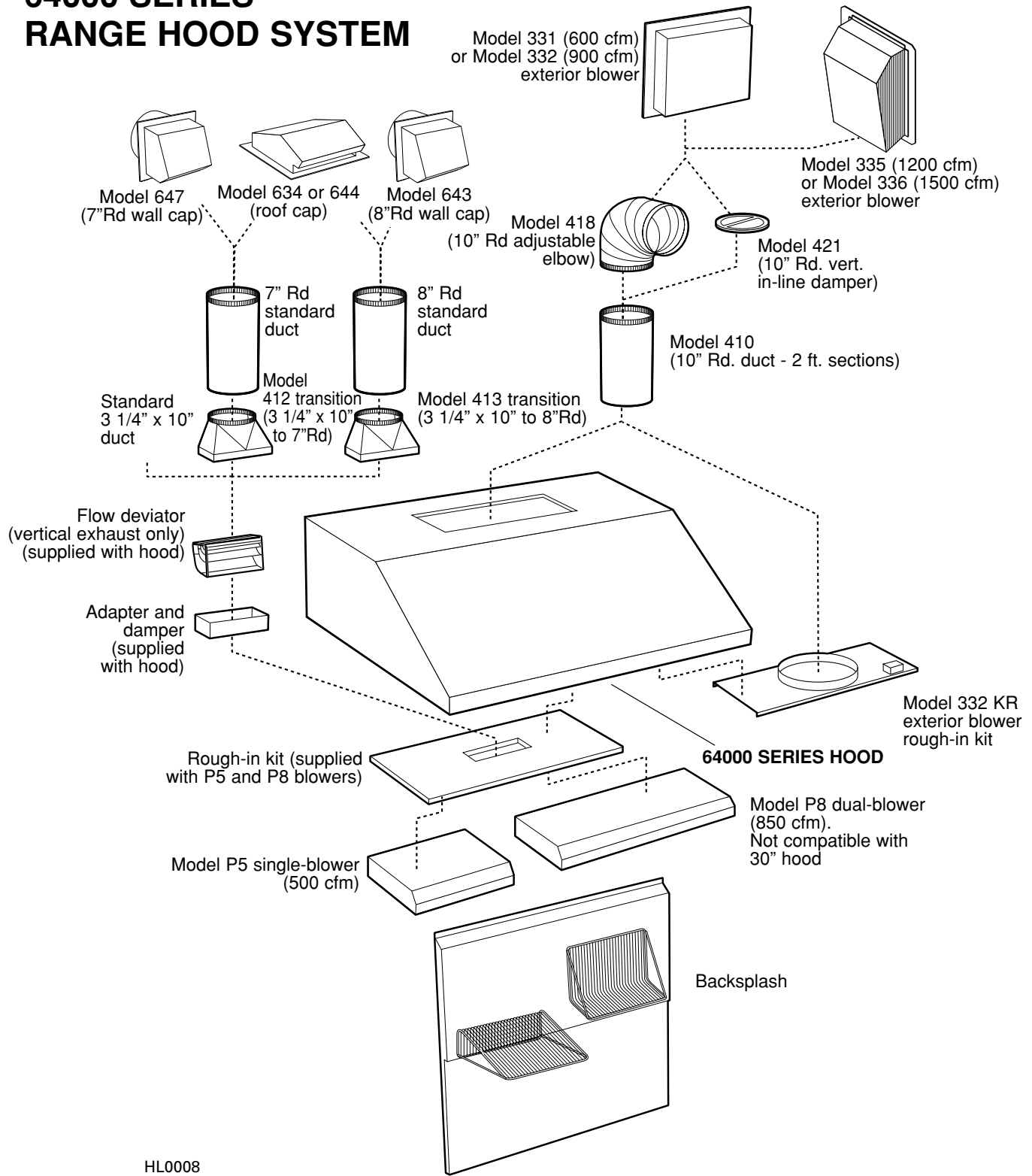
Backsplash

HA0011



REFERENCE	QTY.	REMARKS	Project	
			Location	
			Architect	
			Engineer	
			Contractor	
			Submitted By	Date

64000 SERIES RANGE HOOD SYSTEM



HL0008



BROAN MFG. CO., INC., 926 West State Street, Hartford, WI 53027